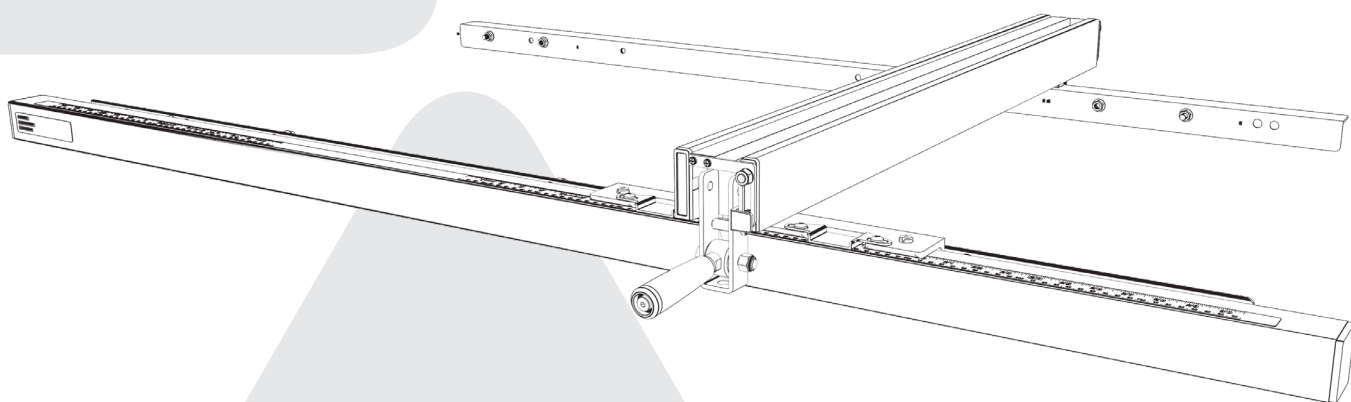


DELTA[®]

Fence System

Systeme de clôture

Sistema de valla



Français (14)

Español (26)

www.DeltaMachinery.com

Instruction Manual
Manuel d'utilisation
Manual de instrucciones

36-T30[™] / 36-T50[™]



WARNING: To reduce risk of serious injury, thoroughly read and comply with all warnings and instructions in this manual and on product. KEEP THIS MANUAL NEAR YOUR SAW FOR EASY REFERENCE AND TO INSTRUCT OTHERS.

TABLE OF CONTENTS

FUNCTIONAL DESCRIPTION	2	MAINTENANCE	1 2
IMPORTANT SAFETY INSTRUCTIONS	3	TROUBLESHOOTING	1 2
SAFETY GUIDELINES - DEFINITIONS	3	ACCESSORIES	1 3
GENERAL SAFETY RULES	4	WARRANTY	1 3
CARTON CONTENTS	5	PARTS, SERVICES AND WARRANTY ASSISTANCE	1 3
ASSEMBLY	6	REPLACEMENT PARTS	1 3
OPERATION AND ADJUSTMENT.....	9	FRENCH	1 4
TROUBLESHOOTING	12	SPANISH	2 6

FUNCTIONAL DESCRIPTION

The DELTA® 36-T30₃ and the DELTA® 36-T50₃ Fence Systems include the Fence Assembly, Front Rail, Rear Rail and Front Guide Tube along with the Mounting Hardware for assembling the Fence System to most DELTA® Table Saws and to some non-DELTA® Table Saws.

In addition, the DELTA® 36-T50₃ Fence System also includes an Accessory Leg Kit, to be used with a Wooden Extension Table. The Wooden Extension Table is purchased separately or can be constructed by following the instructions in this manual.

NOTICE: The illustrations contained in this manual show the 36-T30₃ fence system as it installs on the DELTA® 36-729 table saw. These figures are intended to illustrate technique only. The specific configurations and hardware needed to attach this fence to your particular saw may vary.

NOTICE: The manual cover illustrates the current production model. All other illustrations contained in the manual are representative only and may not be exact depictions of the actual labeling or accessories included. They are intended for illustrative purposes only.

PROPOSITION 65 WARNING:

▲ WARNING: Some dust created by power sanding, sawing, grinding, drilling, and other construction activities contains chemicals known to the state of California to cause cancer, birth defects or other reproductive harm. Some examples of these chemicals are:

- Lead from lead-based paints
- Crystalline silica from bricks and cement and other masonry products
- Arsenic and chromium from chemically-treated lumber

Your risk from these exposures varies, depending on how often you do this type of work. To reduce your exposure to these chemicals: work in a well-ventilated area and work with approved safety equipment, such as dust masks that are specifically designed to filter out microscopic particles.

SAVE THESE INSTRUCTIONS.

Refer to them often and use them to instruct others.

If tool is loaned to someone, also loan them these instructions.

IMPORTANT SAFETY INSTRUCTIONS

⚠ WARNING: CAREFULLY READ AND FOLLOW ALL WARNINGS AND INSTRUCTIONS ON YOUR PRODUCT AND IN THIS MANUAL. SAVE THIS MANUAL. MAKE SURE ALL USERS ARE FAMILIAR WITH IT'S WARNING AND INSTRUCTIONS WHEN USING THE TOOL. Improper operation, maintenance or modification of tools or equipment could result in serious injury and/or property damage.

If you have any questions or concerns relative to the use of your tool or the contents of this manual, stop using the tool and contact DELTA® Power Equipment Corporation Customer Care at 1-800-223-7278.

SAFETY LOGOS

This manual contains information that is important for you to know and understand. This information relates to protecting **YOUR SAFETY** and **PREVENTING EQUIPMENT PROBLEMS**. To help you recognize this information, we use the symbols below. Please read the manual and pay attention to these sections:

⚠ DANGER: Indicates an imminently hazardous situation which, if not avoided, will result in death or serious injury.







⚠ WARNING: Indicates a potentially hazardous situation which, if not avoided, could result in death or serious injury.

⚠ CAUTION: Indicates a potentially hazardous situation which, if not avoided, may result in minor or moderate injury.

CAUTION: Used without the safety alert symbol indicates potentially hazardous situation which, if not avoided, may result in property damage.

Additional information regarding the safe and proper operation of this tool is available from the following sources:

- Power Tool Institute, 1300 Sumner Avenue, Cleveland, OH 44115-2851 or on-line at www.powertoolinstitute.com
- National Safety Council, 1121 Spring Lake Drive, Itasca, IL 60143-3201
- American National Standards Institute, 25 West 43rd Street, 4th floor, New York, NY 10036 www.ansi.org - ANSI 01.1 Safety Requirements for Woodworking Machines
- U.S. Department of Labor regulations www.osha.gov

Some of the following symbols may be used on this tool. Please study them and learn their meaning. Proper interpretation of these symbols will allow you to operate the tool better and safer.		
SYMBOL	NAME	DESIGNATION/EXPLANATION
	Safety Alert	Indicates a potential personal injury hazard.
	Read Operator's Manual	To reduce the risk of injury, user must read and understand operator's manual before using this product.
	Eye Protection	Always wear eye protection with side shields marked to comply with ANSI Z87.1.
	No Hands Symbol	Failure to keep your hands away from the blade will result in serious personal injury.
	Wet Conditions Alert	Do not expose to rain or use in damp locations.
	Pinch Warning	Always watch for movement paying extra attention to potential areas where pinching could occur.
V	Volts	Voltage
A	Amperes	Current
Hz	Hertz	Frequency (cycles per second)
min	Minutes	Time
~	Alternating Current	Type of current
n_0	No Load Speed	Rotational speed, at no load
.../min	Per Minute	Revolutions, strokes, surface speed, orbits, etc., per minute
A.C	Alternating Current	Type of current
Kg	Kilograms	Unit of weight
RPM	Revolutions Per Minute	Speed of rotation of machine
PH:1	Phase 1	This is a 1 phase motor

GENERAL POWER TOOL SAFETY WARNINGS

▲ WARNING: Read all safety warnings, instructions, illustrations and specifications provided with this power tool. Failure to follow all instructions listed below may result in electric shock, fire and/or serious injury.


Save all warnings and instructions for future reference.

The term "power tool" in the warnings refers to your main-operated (corded) power tool or BATTERY-operated (cordless) power tool.

1. Work area safety

- a. **Keep work area clean and well lit.** Cluttered or dark areas invite accidents.
- b. **Do not operate power tools in explosive atmospheres, such as in the presence of flammable liquids, gases or dust.** Power tools create sparks which may ignite the dust or fumes.
- c. **Keep children and bystanders away while operating a power tool.** Distractions can cause you to lose control.

2. Electrical safety

- a. **Power tool plugs must match the outlet. Never modify the plug in any way. Do not use any adapter with earthed (grounded) power tools.** Unmodified plugs and matching outlets will reduce risk of electric shock.
- b. **Avoid body contact with earthed or grounded surfaces, such as pipes, radiators, ranges and refrigerators.** There is an increased risk of electric shock if your body is earthed or grounded.
-  c. **Do not expose power tools to rain or wet conditions.** Water entering a power tool will increase the risk of electric shock.
- d. **Do not abuse the cord. Never use the cord for carrying, pulling or unplugging the power tool. Keep cord away from heat oil, sharp edges or moving parts.** Damaged or entangled cords increase the risk of electric shock.
- e. **When operating a power tool outdoors, use an extension cord suitable for outdoor use.** Use of a cord suitable for outdoor use reduces the risk of electric shock.
- f. **If operating a power tool in a damp location is unavoidable, use a ground fault circuit interrupter (GFCI) protected supply.** Use of an GFCI reduces the risk of electric shock.

3. Personal safety

- a. **Stay alert, watch what you are doing and use common sense when operating a power tool. Do not use a power tool while you are tired or under the influence of drugs, alcohol or medication.** A moment of inattention while operating power tools may result in serious personal injury.
- b. **Use personal protective equipment. Always wear eye protection.** Protective equipment such as dust mask, non-skid safety shoes, hard hat, or hearing protection and dust protection used for appropriate conditions will reduce personal injuries. Gloves are recommended when changing blades.
- c. **Prevent unintentional starting. Ensure the switch is in the off-position before connection to power source, picking up, or carrying the tool.** Carrying power tools with your finger on the switch or energising power tools that have the switch on invites accidents.
- d. **Remove any adjusting key or wrench before turning the power tool on.** A wrench or a key left attached to a rotating part of the power tool may result in personal injury.
- e. **Do not overreach. Keep proper footing and balance at all times.** This enables better control of the power tool in unexpected situations.
- f. **Dress properly. Do not wear loose clothing or jewelry. Keep your hair, clothing and gloves away from moving parts.** Loose clothes, jewellery or long hair can be caught in moving parts.
- g. **If devices are provided for the connection of dust extraction and collection facilities, ensure these are connected and properly used.** Use of dust collection can reduce dust-related hazards.
- h. **Do not let familiarity gained from frequent use of tools allow you to become complacent and ignore tool safety principles.** A careless action can cause severe injury within a fraction of a second.

4. Power tool use and care

- a. **Do not force the power tool. Use the correct power tool for you application.** The correct power tool will do the job better and safer at the rate for which it was designed.
- b. **Do not use the power tool if the switch does not turn it on and off.** Any power tool that cannot be controlled with the switch is dangerous and must be repaired.
- c. **Disconnect the plug from the power source before making any adjustments, changing accessories, or storing power tools.** Such preventive safety measures reduce the risk of starting the power tool accidentally.
- d. **Store idle power tools out of the reach of children and do not allow persons unfamiliar with the power tool or these instructions to operate the power tool.** Power tools are dangerous in the hands of untrained users.
- e. **Maintain power tools and accessories. Check for misalignment or binding of moving parts, breakage of parts and any other condition that may affect the power tool's operation. If damaged, have the power tool repaired before use.** Many accidents are caused by poorly maintained power tools.
- f. **Keep cutting tools sharp and clean.** Properly maintained cutting tools with sharp cutting edges are less likely to bind and are easier to control.
- g. **Use the power tool, accessories and tools bits etc. in accordance with these instructions, taking into account the working conditions and the work to be performed.** Use of the power tool for operations different from those intended could result in a hazardous situation.
- h. **Keep handles and grasping surfaces dry, clean and free from oil and grease.** Slippery handles and grasping surfaces do not allow for safe handling and control of the tool in unexpected situations.

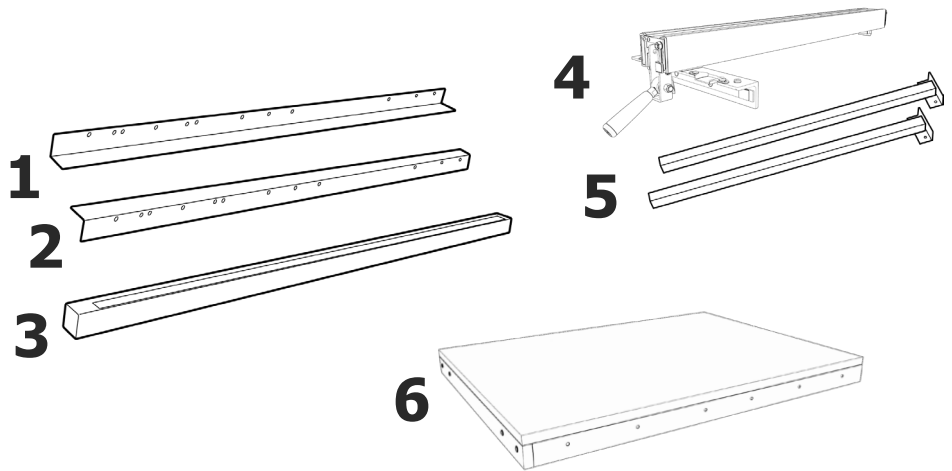
5. Service

- a. **Have your power tool serviced by a qualified repair person using only identical replacement parts.** This will ensure that the safety of the power tool is maintained.

CARTON CONTENTS

CARTON CONTENTS

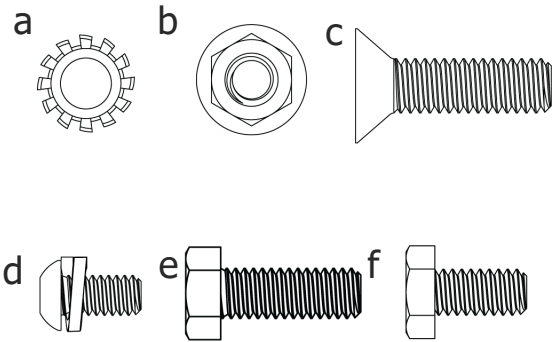
1. Front Guide Rail (1)
2. Rear Guide Rail (1)
3. Guide Tube (1)
4. Fence (1)
5. Support Legs (36-T50_{TS} Only) (2)
6. Extension Table (36-T50_{TS} Only) (1)



HARDWARE PACKAGE

(included with the 36-T30_{TS})

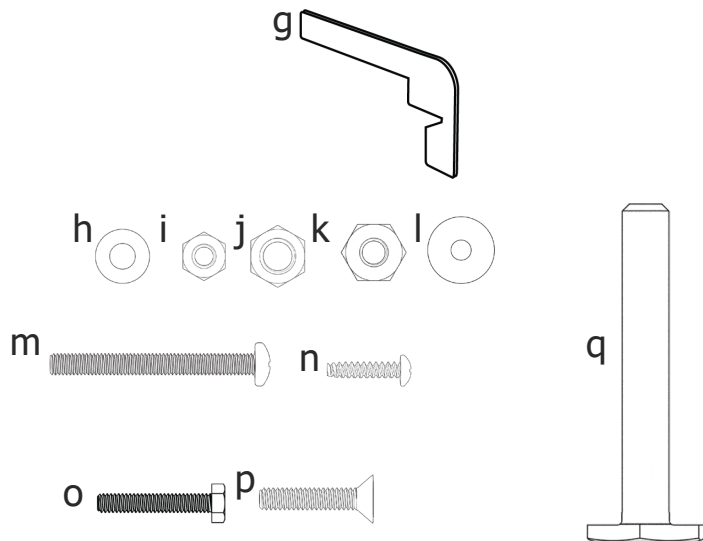
- a. 5/16" External Tooth Lockwasher (14)
- b. 5/16" Hex Flange Nut (17)
- c. 5/16" Countersunk Screw (8)
- d. 1/4" Pan Head Screw with Washer (4)
- e. 5/16" Hex Socket Screw (17)
- f. 1/4-20 x 1/2" Hex Cap Screw (2)
- g. Rail Alignment Gauge (1)



HARDWARE PACKAGE

(included with the 36-T50_{TS})

- a. 5/16" External Tooth Lock Washer (10)
- b. 5/16" Hex Flange Nut (13)
- c. 5/16" Countersunk Screw (6)
- d. 1/4" Pan Head Screw with Washer (6)
- e. 5/16" Hex Socket Screw (13)
- f. 1/4-20 x 1/2" Hex Cap Screw (2)
- g. Rail Alignment Gauge (1)
- h. 7/32 x 1/2" Flat Washers (4)
- i. 1/4-20" Hex Nut (12)
- j. 3/8-16" Hex Nut (2)
- k. #10-32" Hex Nut (4)
- l. 5/16" x 5/8" Flat Washer (12)
- m. 10-32 x 1 3/4" Pan Head Bolts (4)
- n. #8 x 3/4" Wood Screws (8)
- o. 1/4-20 x 1-1/2" Hex Head Screw (6)
- p. 1/4-20 x 1 1/2" Countersunk Screw (6)
- q. Leveling Feet (2)



NOTE: The DELTA® 36-T30_{TS} and 36-T50_{TS} are designed to be used with a variety of DELTA® table saws. It is also possible to install this fence on non-DELTA® saws. This kit contains a variety of hardware types and sizes, not all of which are necessary to attach this fence to your specific saw. Use the hardware that best fits your saw and enables you to attach the fence rails and guide tube securely to the saw.

ASSEMBLY

UNPACKING AND CLEANING

Carefully unpack the machine and all loose items from the shipping container(s). Remove the rust-preventative oil from unpainted surfaces using a soft cloth moistened with mineral spirits, paint thinner or denatured alcohol.

⚠ CAUTION: Do not use highly volatile solvents such as gasoline, naphtha, acetone or lacquer thinner for cleaning your machine. After cleaning, cover the unpainted surfaces with a good quality household paste wax.

⚠ WARNING: To reduce the risk of injury, turn unit off and disconnect it from power source before installing/removing accessories, adjusting, or making repairs. An accidental start-up can cause injury.

TOOLS REQUIRED

- 5/32" Hex Wrench (supplied)
- 3/16" Hex Wrench (supplied)
- Rail Alignment Gauge (supplied)
- Standard Screwdriver (not supplied)
- Phillips Screwdriver (not supplied)
- Adjustable Wrench (not supplied)
- 1/4" Drill and Drill Bit (not supplied)

INSTALL FRONT GUIDE RAIL

1. With the left edge of the Front Guide Rail (1) near the edge of the Left Extension Wing, align the Two Holes in the table with the Two Holes in the Front Guide Rail, as indicated at location "A" in **Figure 3**.
2. Secure the Front Guide Rail to the table with two 5/16" Countersunk Screws (c), 5/16" External Tooth Lock Washers (a), and 5/16" Hex Flange Nuts (b). Finger tighten only.
3. Ensure the Front Guide Rail is parallel to the cast iron Table Top by using the rail Alignment Gauge (g) to check the distance from the top surface of the Front Guide Rail to the top of the table at both sides of the Saw Table.
4. Attach the remaining Countersunk Screws (c) through the holes in the Front Guide Rail and Extension Wings using External Tooth Lock Washers (a) and Hex Flange Nuts (b) as needed. Ensure the Extension Wings are level with the cast iron Table Top.
5. Tighten all hardware securing the Front Guide Rail to the Table Top.

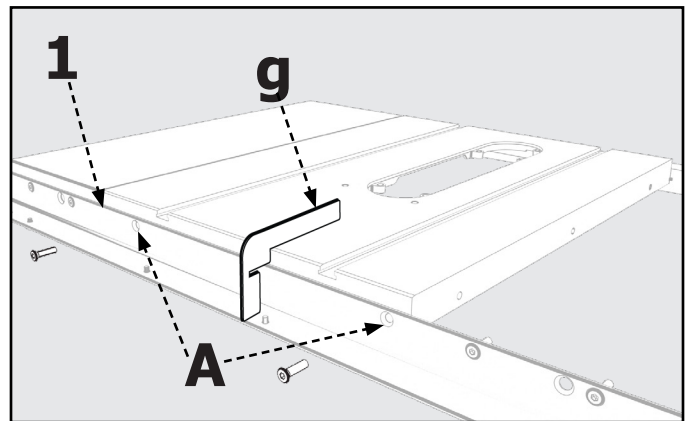


FIGURE 3

NOTE: The Front Guide Rail and Rear Guide Rail of the 36-T50₁₃ have additional holes in the Extension End that are used to attach an Extension Table. If you plan to install an Extension Table to your Table Saw, install it before attaching the Guide Tube. Based on your saw model some holes in the Front Guide Rail and Rear Guide Rail may not be used.

ASSEMBLY

ATTACH REAR GUIDE RAIL

1. With the edge of the Rear Guide Rail (2) near the edge of the Left Extension Wing, align the Two Holes in the table with the Two Holes in the Rear Guide Rail, as indicated at location "A" in **Figure 4**.
2. Secure the Rear Guide Rail to the table with two 5/16" Hex Socket Screws (e), 5/16" External Tooth Lock Washers (a), and 5/16" Hex Flange Nuts (b). Finger tighten only.
3. Ensure the Rear Guide Rail is parallel to the cast iron Table Top by using the rail Alignment Gauge (g) to check the distance from the top surface of the Rear Guide Rail to the top of the table at both sides of the Saw Table.
4. Attach the remaining Hex Socket Screws (e) through the holes in the Rear Guide Rail and Extension Wings using External Tooth Lock Washers (a) and Hex Flange Nuts (b) as needed. Ensure the Extension Wings are level with the cast iron Table Top.
5. Tighten all hardware securing the Rear Guide Rail to the Table Top.

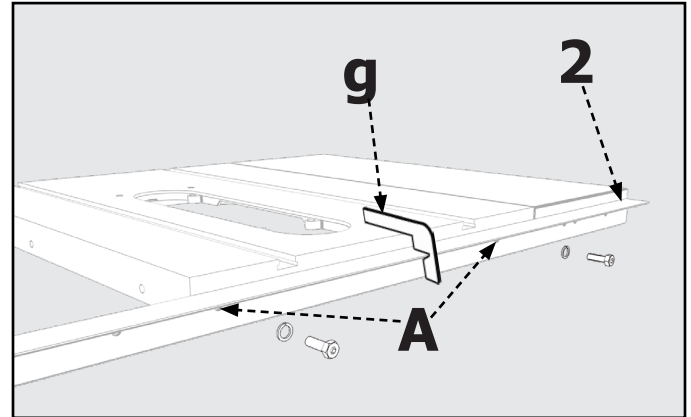


FIGURE 4

RE-ATTACHING AN EXISTING EXTENSION WING

If your table saw has an extra extension wing that was removed when you disassembled the old fence rails, re-install it now.

ATTACHING AN ADDITIONAL EXTENSION WING

If you purchased an additional Extension Wing, install it now using the hardware included with the fence.

1. Fasten the new Extension Wing to the existing wing using three 5/16" Hex Socket Screws (e), 5/16" External Tooth Lock Washers (a), and 5/16" Hex Flange Nuts (b).
2. Secure the Front Guide Rail to the new Extension Wing with 5/16" Countersunk Screws (c).
3. Attach the Rear Guide Rail to the new Extension Wing using Hex Socket Screws (e), External Tooth Lock Washers (a), and Hex Flange Nuts (b) as needed.

CONSTRUCTING AND ATTACHING A WOODEN TABLE SUPPORT

(For use with the DELTA® 36-T50₃ Fence Kit only)

Due to the extended length of the DELTA® 36-T50₃ rails, it is necessary to build a Wooden Table support to position and support oversized workpieces.

To build a Wooden Table support, refer to **Figure 5**.

Accessory Extension Table 36-T53₃ is available for use with the 36-T50₃ only.

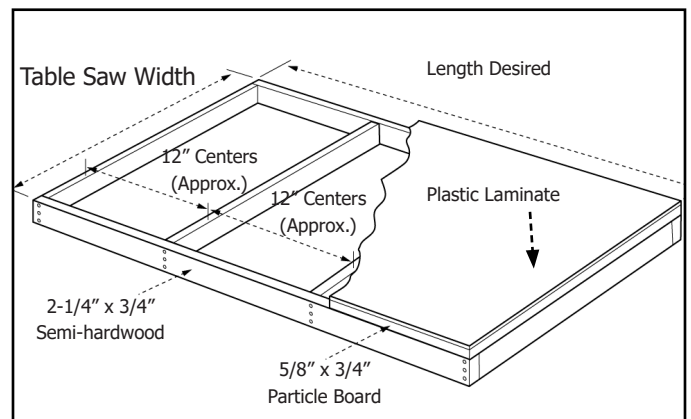


FIGURE 5

ASSEMBLY

Attach the Table Legs (5) to the Extension Table (6) as shown in **Figure 6**.

1. Lay the Extension Table (6) upside down on the floor or on a bench.
2. Position the Table Leg (5) in the corner of the Extension Table (6) as shown in **Figure 6**.
3. Attach the Table Leg to the Table Board with four #8 x 3/4" Wood Screws (n). Drill a 1/4" hole through the two holes in the Bracket (A) and through the Table Skirt. Secure the Table Leg to the Table Skirt using 10-32 x 1-3/4" Pan Head Bolts (m), 7/32 x 1/2" Flat Washer (h), and #10-32" Hex Nut (k).

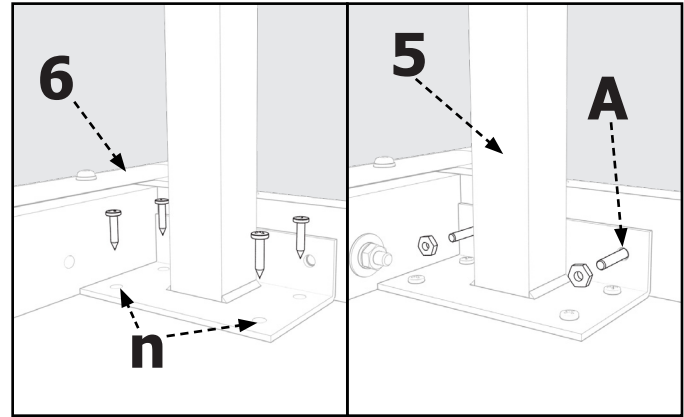


FIGURE 6

Next, attach the Threaded Leveling Feet to each leg as shown in Figure 7.

1. Assemble the 3/8-16" Hex Nut (j) onto Leveling Feet (q).
2. Thread the Leveling Feet into bottom of Table Leg (5).
3. Repeat Steps 1 & 2 for the other Foot Assembly.

NOTE: Height adjustment will be made later.

4. Place Table Assembly (6) in position between the two rails as shown in **Figure 8**. Make sure the Saw Table Edge (B) is flush against edge of the Extension Table.
5. Using a Straight Edge (C), make sure the Extension Table is in the same plane and level with Saw Table. If necessary, lightly tap up or down and adjust Leveling Feet to bring Extension Table level with Saw Table.
6. Use Bar Clamps to secure the Extension Table to the Front and Rear Guide Rails as shown in **Figure 9**.
7. Using the Holes in the Front and Rear Guide Rails, shown in **Figure 9**, as a template, drill 1/4" holes through the front and rear of the Extension Table.
8. Secure the Extension Table to the Front Guide Rail using 1/4-20 x 1-1/2" Countersunk Screws (p), 5/16 x 5/8" Flat Washers (l), and 1/4-20" Hex Nuts (i). Secure the Extension Table to the Rear Guide Rail using 1/4-20 x 1-1/2" Hex Head Screw (o) with the same Flat Washers (l) and Hex Nuts (i) that were used for the Front Guide Rail.

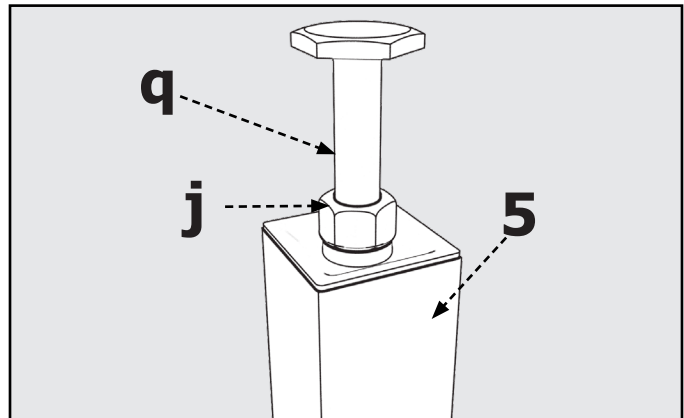


FIGURE 7

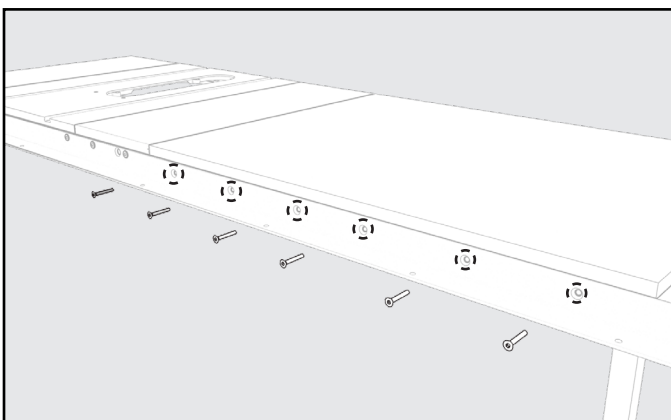


FIGURE 9

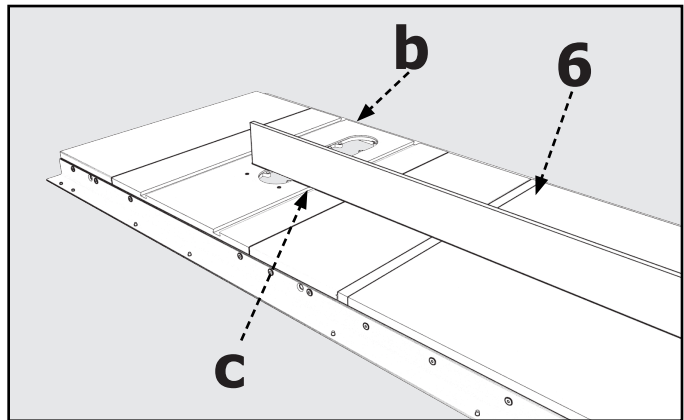


FIGURE 8

ASSEMBLY

ATTACH GUIDE TUBE

1. Attach the Fence Guide Tube (3) to the Front Guide Rail (1) using four (for 30" versions) or six (for 52" versions) 1/4" Pan Head Screw With Washer (d) through the Holes (B) on the bottom side of the Front Rail.

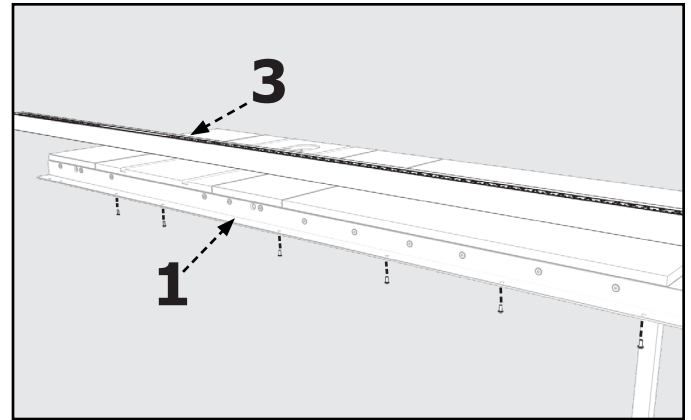


FIGURE 10

NOTE: If you removed the Spreader Bar when disassembling the old fence system, re-install it now.

INSTALL THE FENCE

1. Place the Fence (4) on the Guide Tube (3) and lift the Clamping Lever (A).
2. Guide the Fence over the Rear Guide Rail (2), as shown in **Figure 11**, and gently push the Fence on the Guide Tube (3).

Make sure that the clip on the back of the Fence engages the Rear Guide Rail.

3. Push down on fence Clamping Lever to lock the Fence in place.

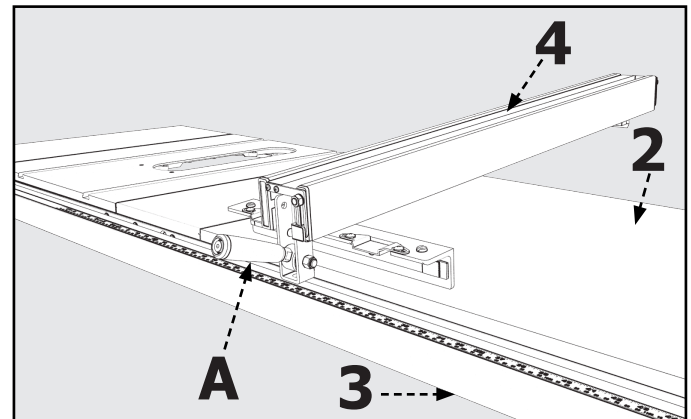


FIGURE 11

OPERATION AND ADJUSTMENTS

⚠ WARNING: To reduce the risk of injury, turn unit off and disconnect it from power source before installing/removing accessories, adjusting, or making repairs. An accidental start-up can cause injury.

ALIGNING THE FENCE TO THE MITER GAUGE SLOTS

1. Move the Fence (4) until the bottom edge of the Fence is in line with the edge of one of the Miter Gauge Slots (C).
2. Push down on the Fence Clamping Lever (B) to lock the Fence in place. The edge of the Fence should be parallel to the Miter Gauge Slot.

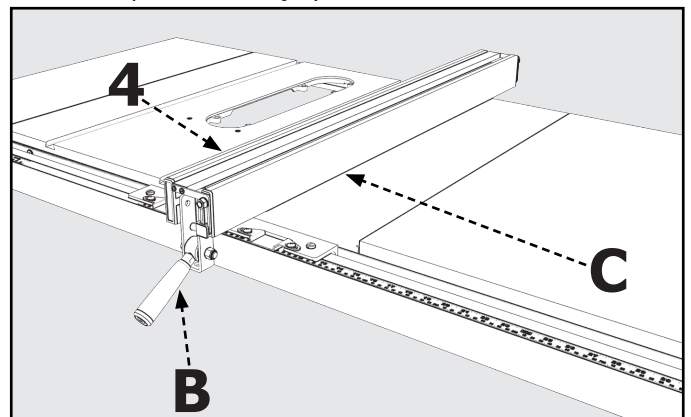


FIGURE 12

OPERATION AND ADJUSTMENTS

TO ADJUST:

1. Lift the fence Clamping Lever and remove the Fence.
2. Slightly tighten or loosen one of the two Set Screws (A) shown in **Figure 13**, using a 3mm Hex Wrench (not supplied).

IMPORTANT: Very little movement of the set screws is necessary to adjust the Fence.

3. Place the Fence on the Guide Tube and check the alignment again.
4. Repeat Steps 1-3 until the Fence edge is parallel to the Miter Gauge Slot.

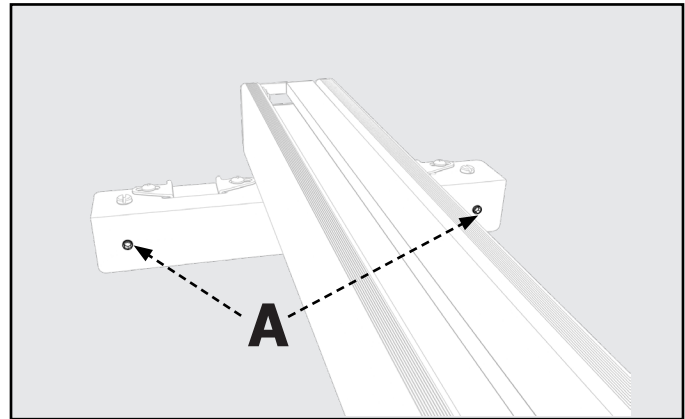


FIGURE 13

SQUARING THE FENCE TO THE TABLE

⚠ WARNING: To reduce the risk of injury, turn unit off and disconnect it from power source before installing/removing accessories, adjusting, or making repairs. An accidental start-up can cause injury.

1. Lock the Fence in place on the Table.
2. Using a T-Square (B) placed against the middle of the fence, check to see if the Fence is perpendicular to the table as shown in **Figure 14**.

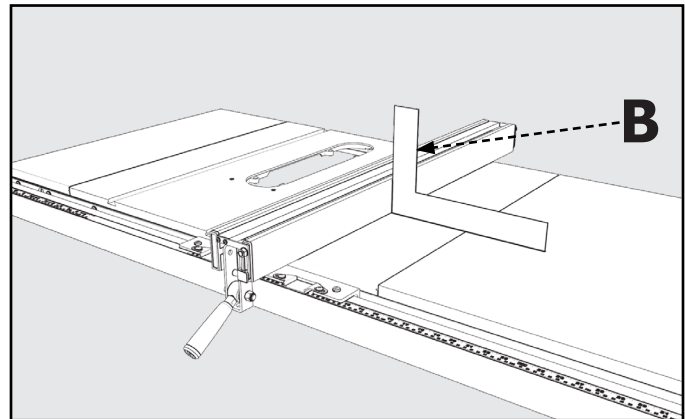


FIGURE 14

TO ADJUST:

1. To adjust, locate the two Nylon Set Screws (C) on top of the Fence shown in **Figure 15**.
2. Using a Flat-Head Screwdriver, rotate the Nylon Set Screws to bring the Fence perpendicular to the Table.
3. Re-check the alignment and continue to adjust the Screws until the Fence edge is perpendicular to the Table.

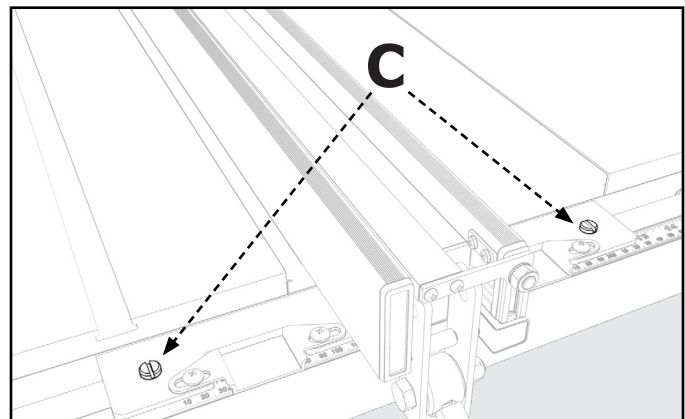


FIGURE 15

OPERATION AND ADJUSTMENTS

ADJUSTING TENSION ON THE FENCE CLAMPING LEVER

⚠ WARNING: To reduce the risk of injury, turn unit off and disconnect it from power source before installing/removing accessories, adjusting, or making repairs. An accidental start-up can cause injury.

When the Fence is in place against the Guide Tube and the Fence Clamping Lever (A) is locked, the Fence Assembly (4) should not move. If the Fence does move or if the Lever must be forced down, the tension on the Fence Clamping Lever must be adjusted. Do the following:

1. Lift the Fence Clamping Lever and remove the Fence.
2. Locate the two Adjusting Screws (A), shown in **Figure 13**.
3. Use a 3mm Hex Wrench (not supplied) to adjust the Screws.
 - a. If the Fence Clamping Lever is too loose, tighten the Adjusting Screws.
 - b. If the Fence Clamping Lever is too tight, loosen the Adjusting Screws.

NOTE: Both Screws need to be adjusted in an equal amount.

4. Place the Fence on the Guide Tube and check again to see if the Fence Assembly clamps easily and holds securely.
5. Continue to make adjustments as needed.

IMPORTANT: After adjusting the Fence Clamping Lever, ensure the Fence is parallel to the Miter Gauge Slot. Adjust as necessary.

ADJUSTING THE SCALE POINTER

The Pointer (C) indicates the distance between the inside face of the Fence and the Blade. To check the position of the Pointer:

1. Place the fence on the Guide Tube and note the position indicated on the Pointer.
2. Lock the Fence in place by pushing down on the Fence Clamping Lever.
3. Following the safety instructions in your Table Saw Manual, make a sample cut.
4. Measure the cut piece to ensure it to be the same as the distance indicated by the Pointer. If the piece is incorrect, the Pointer position must be adjusted. To do this:

NOTE: Do not unlock the Fence Clamping Lever or attempt to move the Fence.

- a. Loosen the two Screws (D) and manually move the Pointer so that it matches the length of your sample cut.
- b. Tighten the two Screws and move the Fence to the opposite side of the blade to repeat above steps with the second Pointer.

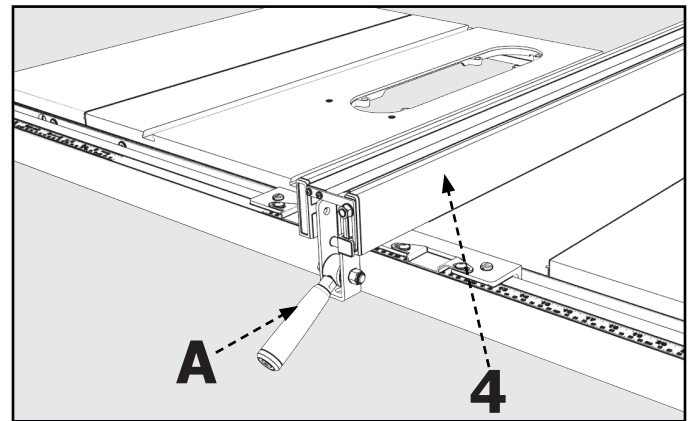


FIGURE 16

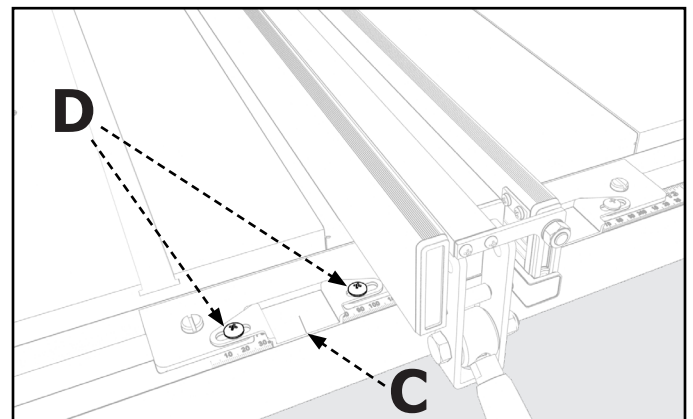


FIGURE 17

TROUBLESHOOTING

For assistance with your machine, visit our website at www.DeltaMachinery.com for a list of service centers or call Delta Power Equipment Customer Care at 1-800-223-7278.

MAINTENANCE

To reduce the risk of injury, turn unit off and disconnect it from power source before installing/removing accessories, adjusting, or making repairs. An accidental start-up can cause injury.

KEEP MACHINE CLEAN

Periodically blow out all air passages with dry compressed air. All plastic parts should be cleaned with a soft damp cloth. **NEVER** use solvents to clean plastic parts. They could possibly dissolve or otherwise damage the material.

Wear certified safety equipment for eye, hearing and respiratory protection while using compressed air.

For best performance use a shop vacuum or blower to keep saw blade area, the dust collection system, the guarding system and rails free of saw dust and other debris.

MAINTENANCE REMINDERS

Wear certified safety equipment for eye, hearing and respiratory protection while using compressed air.

Specific areas which require regular maintenance include:

RIVING KNIFE CLAMP PLATE: Keep this area free of dust and debris buildup. Blow out area regularly with compressed air.

NOTE: If the riving knife clamp can't move freely, have the saw serviced by authorized DELTA® Power Equipment Corporation service center personnel.

WORM GEARS: Keep the worm gears free of dust and debris buildup. Blow out area regularly with compressed air. Use a lithium-based multipurpose grease as needed on these gears.

CLEAN SAWDUST BUILDUP OUT OF CABINET PERIODICALLY:
NOTE: Debris can also be removed from the saw from below the throat plate, inside the dust port.

LUBRICATION & RUST PROTECTION

Apply hardwood flooring paste wax to the machine table occasionally or use a commercially available protective product designed for this purpose. Follow the manufacturer's instructions for use and safety.

To clean cast iron tables of rust, you will need the following materials: a medium sized scouring pad, a can of spray lubricant and a can of degreaser. Apply the spray lubricant and polish the table surface with the scouring pad. Degrease the table, then apply the protective product as described above.

FENCE LUBRICATION

1. Apply Paste Wax to the Fence and the Guide Tube sliding surfaces weekly.
2. Occasionally apply Grease to the Cam Lock, and the Cam Foot (A), shown in **Figure 18**, to prevent wear.

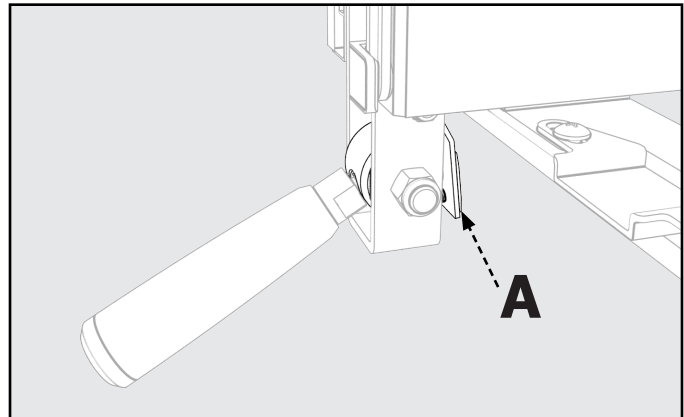


FIGURE 18

ACCESSORIES

For accessories please visit our Web Site for an on-line catalog or for the name of your nearest supplier.

▲ WARNING: Since accessories other than those offered by DELTA® have not been tested with this product, use of such accessories could be hazardous. For safest operation, only DELTA® recommended accessories should be used with this product.

PARTS, SERVICE OR WARRANTY ASSISTANCE

All DELTA® Machines and accessories are manufactured to high quality standards and are serviced by a network of an Authorized Service Centers. To obtain additional information regarding your product or to obtain parts, service, warranty assistance, or the location of the nearest service center, please call 1-800-223-7278.

Two Year Limited Warranty

1. WHAT IS COVERED. Delta Power Equipment Corporation ("Company") will, at its option, repair or replace this product, if purchased at retail in the United States or Canada and the product, with normal use, has proven to be defective in workmanship or material, subject to the conditions stated in this Limited Warranty. This Limited Warranty covers only materials and labor. All transportation costs are Customer's responsibility.

2. WARRANTY PERIOD. All warranty claims must be submitted within two years from the date of retail purchase. For all service parts and factory refurbished products, the warranty period is 180 days.

3. HOW TO OBTAIN SERVICE. To obtain warranty service, you must return the defective product, at your expense, to a service center authorized by Company to perform warranty service (a "Company Authorized Service Center") within the applicable warranty period, together with acceptable proof of purchase, such as your original receipt bearing the date of purchase, or product registration number. Company reserves the right to restrict warranty claim service to the country where the purchase was made and/or to charge for the cost to export service parts or provide warranty service in a different country. For this purpose, on-line purchases are deemed made in the United States. For the location of your nearest Company Authorized Service Center, call Company's Customer Care Center at (800) 223-7278.

4. EXCLUSIONS.

- Company does not offer any warranty on products purchased in used or damaged condition.
- Company does not warrant any products purchased outside the United States or Canada.
- Company will not be responsible for any damage that has resulted from normal wear, misuse, abuse or any repair or alteration made by anyone other than a Company Authorized Service Center or a designated representative of Company's Customer Care Center.

All IMPLIED WARRANTIES are expressly limited to the warranty period identified above.

Company will not be liable for INCIDENTAL OR CONSEQUENTIAL damages.

This limited warranty is Company's sole warranty and sets forth the customer's exclusive remedy with respect to defective products; all other warranties, express or implied, whether of merchantability, fitness for purpose, or otherwise, are expressly disclaimed by Company, except as expressly stated in this warranty statement.

Some states do not allow the exclusion or limitation of incidental or consequential damages, or the limitation of implied warranties, so the above limitations or exclusions may not apply to you. This warranty gives you specific legal rights and you may have other rights which vary in certain states or provinces. For further details of warranty coverage and warranty repair information, call (800) 223-7278. To register your products on-line, we encourage you to visit our website and register for a FREE DELTA® Member Account at <http://www.deltamachinery.com/register>.

LATIN AMERICA: This warranty does not apply to products sold in Latin America. For products sold in Latin America, call the local company or see website for warranty information.

REPLACEMENT PARTS

Use only identical replacement parts. For a parts list or to order parts, visit our website at www.DeltaMachinery.com/service. You can also order parts from your nearest Authorized Warranty Service Center or by calling Technical Service Manager at 1-800-223-7278 to receive personalized support from one of our highly-trained representatives.

FREE WARNING LABEL REPLACEMENT

If your warning labels become illegible or are missing, call 1-800-223-7278 for a free replacement.

SERVICE AND REPAIRS

All quality tools will eventually require servicing and/or replacement of parts. For information about Delta Power Equipment Corporation, its factory-owned branches, or to locate an Authorized Warranty Service Center, visit our website at www.DeltaMachinery.com/service or call Customer Care at 1-800-223-7278. All repairs made by our service centers are fully guaranteed against defective material and workmanship. We cannot guarantee repairs made or attempted by others. By calling this number you can also find answers to most frequently asked questions 24 hours/day. You can also write to us for information at Delta Power Equipment Corporation, 2651 New Cut Road, Spartanburg, SC 29303 Attention: Technical Service Manager. Be sure to indicate all of the information shown on the nameplate of your saw (model number, type, serial number, date code, etc.).

SOMMAIRE

DESCRIPTION FONCTIONNELLE	1 4	ENTRETIEN	2 4
INSTRUCTIONS DE SECURITE IMPORTANTES	15	ACCESSOIRES	2 5
CONSIGNES DE SECURITE – DEFINITIONS	15	GARANTIE	2 5
REGLES GENERALES DE SECURITE	16	SERVICE APRES-VENTE ET REPARATIONS	2 5
CONTENU DES CARTONS	17	PIÈCES DE REMPLACEMENT	2 5
ASSEMBLAGE	18	FRENCH	1 4
UTILISATION ET REGLAGES	2 1	SPANISH	2 6
DEPANNAGE	2 4		

DESCRIPTION FONCTIONNELLE

Les systèmes de guide DELTA® 36-T30₃ et DELTA® 36-T50₃ comprennent l'assemblage de guide, les rails avant et arrière du guide, le tube du guide avant de même que le matériel de montage pour monter le système de guide sur la plupart des établis pour scie DELTA® et sur certains établis pour scie d'autres marques.

Le système de guide DELTA® 36-T30₃ comprend également un kit accessoire de pieds, utilisable avec une rallonge d'établi en bois. La rallonge d'établi en bois est vendue séparément ou peut être fabriquée en suivant les instructions contenues dans ce manuel.

NOTE: Les images contenues dans ce manuel illustrent le système de guide DELTA® 36-T30₃ lors de son installation sur l'établi pour scie DELTA® 36-729. Ces images ont uniquement pour but d'illustrer la technique. Les configurations et matériels spécifiques nécessaires pour attacher ce guide à votre établi en particulier peuvent être différents.

NOTE: La couverture du manuel illustre le modèle de production actuel. Toutes les autres illustrations contenues dans ce manuel sont uniquement représentatives et peuvent ne pas être des représentations exactes de l'étiquetage ou des accessoires réellement inclus. Ils sont destinés à des fins d'illustration uniquement.

AVERTISSEMENT DE LA PROPOSITION 65 :

▲ AVERTISSEMENT : Des poussières créées par le ponçage, sciage, meulage, perçage et autres opérations de construction contiennent des produits chimiques reconnus par l'État de la Californie pour causer le cancer, des malformations congénitales ou autres problèmes de reproduction. Quelques exemples de ces produits chimiques sont :

- le plomb des peintures à base de plomb
- La silice cristalline des briques et du ciment et autre produit de maçonnerie
- L'arsenic et le chrome dans les bois traités chimiquement

Votre risque à l'exposition de ces produits varie en fonction de la fréquence de ce type de travail. Pour réduire votre exposition à ces produits chimiques : travaillez dans un endroit bien aéré et utilisez des équipements de sécurité approuvés tels que des masques de protection spécialement conçus pour filtrer les particules microscopiques.

CONSERVEZ CES DIRECTIVES.

Consultez souvent ces directives et utilisez-les pour informer les autres.

Si vous prêtez cet appareil à quelqu'un, prêtez-lui aussi ces directives.

CONSIGNES IMPORTANTES DE SÉCURITÉ

⚠ AVERTISSEMENT : **LISEZ ATTENTIVEMENT ET SUIVEZ TOUS LES AVERTISSEMENTS ET INSTRUCTIONS SUR VOTRE PRODUIT ET DANS CE GUIDE. CONSERVEZ CE GUIDE. ASSUREZ-VOUS QUE TOUS LES UTILISATEURS SONT FAMILIERS AVEC LES AVERTISSEMENTS ET INSTRUCTIONS AVANT D'UTILISER L'OUTIL.** Un mauvais fonctionnement, un mauvais entretien ou une modification des outils ou du matériel peuvent entraîner des blessures graves et/ou des dommages matériels.

LOGOS DE SÉCURITÉ

Pour certaines informations dans ce guide, il est particulièrement important que vous en preniez connaissance et que vous les compreniez. Ces informations concernent VOTRE SÉCURITÉ et la PRÉVENTION DE PROBLÈMES AVEC L'ÉQUIPEMENT. Pour vous aider à reconnaître ces informations, nous utilisons les symboles ci-dessous. Veuillez lire le guide et prêter attention à ces sections.

⚠ DANGER: Indique une situation dangereuse imminente qui, si elle n'est pas évitée, entraînera la mort ou des blessures graves.

⚠ AVERTISSEMENT : Indique une situation dangereuse potentielle qui, si elle n'est pas évitée, pourrait entraîner la mort ou des blessures graves.

⚠ MISE EN GARDE : Indique une situation dangereuse potentielle qui, si elle n'est pas évitée, pourrait entraîner des blessures mineures ou modérées.

MISE EN GARDE : L'utilisation sans le symbole d'alerte de sécurité indique une situation potentiellement dangereuse qui, si elle n'est pas évitée, pourrait entraîner des dommages matériels.

Des informations supplémentaires concernant l'utilisation appropriée et sécuritaire de cet outil sont disponibles dans les références suivantes :

- Power Tool Institute, 1300 Sumner Avenue, Cleveland, OH 44115-2851 ou en ligne sur www.powertoolinstitute.com
- National Safety Council, 1121 Spring Lake Drive, Itasca, IL 60143-3201
- American National Standards Institute, 25 West 43 rd Street, 4th floor, New York, NY 10036 www.ansi.org — exigences de sécurité ANSI 01.1 pour machines à bois
- Ministère du Travail du gouvernement américain, www.osha.gov

Certains des symboles ci-dessous peuvent être utilisés sur l'outil. Veillez à les étudier et à apprendre leur signification. Une interprétation correcte de ces symboles permettra d'utiliser l'outil plus efficacement et de réduire les risques.

SYMBOLE	NOM	DÉSIGNATION / EXPLICATION
	Symbole d'alerte de sécurité	Indique un risque de blessure potentiel.
	Lire le manuel d'utilisation	Pour réduire les risques de blessures, l'utilisateur doit lire et veiller à bien comprendre le manuel d'utilisation avant d'utiliser ce produit.
	Protection oculaire	Toujours porter une protection oculaire avec écrans latéraux certifiée conforme à la norme ANSI Z87.1.
	Symbole Mains à l'écart	Le non-respect de cette mise en garde peut entraîner des blessures graves.
	Avertissement concernant l'humidité	Ne pas exposer à la pluie ou l'humidité.
	Avertissement de pincement	Faites toujours attention au mouvement, surtout là où il y a risque du pincement.
V	Volts	Tension
A	Ampères	Intensité
Hz	Hertz	Fréquence (cycles par seconde)
min	Minutes	Temps
~	Courant alternatif	Type de courant
n_0	Vitesse à vide	Vitesse de rotation à vide
.../min	Par minute	Tours, coups, vitesse périphérique, orbites, etc., par minute
A.C	Courant alternatif	Type de courant
Kg	kilogrammes	Unité de poids
RPM	Révolutions par minute	Vitesse de rotation de la machine
PH:1	la phase 1	Ceci est un moteur monophasé

AVERTISSEMENTS DE SÉCURITÉ GÉNÉRAUX POUR OUTILS ÉLECTRIQUES

⚠ AVERTISSEMENT

Lisez tous les avertissements, instructions, illustrations et spécifications fournis avec cet outil électrique. Le non-respect de toutes les instructions citées ci-dessous peut causer une décharge électrique, un incendie ou une blessure grave.

Conservez tous les avertissements et instructions pour consultation future.

Le terme « outil électrique » dans les avertissements désigne votre outil électrique qui fonctionne avec l'alimentation du secteur (avec fil) ou celui qui fonctionne avec une PILE (sans fil).

1. Sécurité de l'espace de travail

- Tenez votre espace de travail propre et bien éclairé.** Un endroit encombré et mal éclairé provoque les accidents
- Ne faites pas fonctionner l'outil électrique en présence de risque d'explosion; par exemple, dans le cas à proximité de liquides, gaz ou poussières inflammables.** Les outils électriques génèrent des étincelles susceptibles d'enflammer le liquide, les poussières ou les vapeurs.
- Ne permettez pas à des enfants ou des observateurs de rester proches lorsque vous faites fonctionner un outil électrique.** Les distractions peuvent vous faire perdre le contrôle.

2. Sécurité électrique

- Les fiches de l'outil doivent correspondre à la prise. Ne modifiez jamais la fiche d'aucune façon. N'utilisez pas d'adaptateurs avec les outils électriques mis à terre.** Les fiches non modifiées et les prises appropriées réduisent les risques de décharges électriques.
- Évitez de toucher à des surfaces mises à terre telles que les tuyaux, les calorifères, les cuisinières et les réfrigérateurs.** Le risque de décharges électriques est plus grand si votre corps est en contact avec une mise à la terre.
- Ne placez pas les outils électriques sous la pluie ou dans un environnement humide.** L'eau qui s'infiltrerait dans l'outil électrique augmenterait le risque de décharges électriques.
- N'abîmez pas le cordon. N'utilisez jamais le cordon pour transporter, tirer ou débrancher l'outil électrique. Éloignez le cordon de toute source de chaleur, de bordures coupantes, de l'huile et de toute pièce mobile.** Un cordon endommagé ou entremêlé augmente les risques de décharges électriques.
- Si vous faites fonctionner l'outil électrique à l'extérieur, utilisez une rallonge conçue pour cette fin.** L'utilisation d'un cordon conçu pour l'extérieur réduit les risques de décharges électriques.
- Si vous faites fonctionner l'outil électrique dans un endroit mouillé, veillez à utiliser un circuit protégé avec un disjoncteur différentiel de fuite à la terre (DDFT).** L'utilisation d'un DDFT réduit les risques de décharges électriques.



3. Sécurité personnelle

- Restez vigilant et attentif à ce que vous faites et faites preuve de bon jugement lorsque vous utilisez un outil électrique. N'utilisez pas l'outil électrique si vous êtes fatigué ou sous l'influence de drogues, d'alcool ou de médicaments.** Un moment d'inattention lors de l'utilisation d'outils électriques peut entraîner des blessures graves.
- Utiliser un équipement de protection individuelle, Portez toujours des lunettes de protection.** Les équipements de protection tels que masque anti-poussière, chaussures de sécurité antidérapantes, casque de protection auditive et protection contre la poussière utilisés dans des conditions appropriées réduiront les risques de blessures. Les gants sont recommandés lors du changement de lames.
- Évitez le démarrage accidentel. Veillez à ce que l'interrupteur soit à la position d'arrêt avant de brancher l'outil électrique à la source d'alimentation transporter.** Des accidents peuvent se produire si vous transportez des outils électriques lorsque votre doigt est sur l'interrupteur ou s'il est sous tension.
- Retirez toute clé de serrage ou de réglage avant de mettre l'outil électrique sous tension.** Une clé de serrage ou de réglage attachée à une pièce rotative peut entraîner des blessures corporelles.
- Ne vous étirez pas. Gardez votre équilibre en tout temps.** Ceci permet un meilleur contrôle de l'outil électrique dans le cas d'un événement inattendu.
- Portez des vêtements appropriés. Ne portez pas des vêtements amples ou des bijoux. Maintenez les cheveux, les vêtements et les bijoux loin des pièces rotatives.** Les vêtements amples, les bijoux et les cheveux longs peuvent être pris dans les pièces rotatives.
- Veillez à ce que les dispositifs fournis pour la récupération et la collecte de poussières soient bien connectés et utilisés adéquatement.** L'utilisation d'un système de collecte de poussière réduit les dangers associés.
- L'utilisation fréquente de l'outil ne doit pas faire place à la complaisance et au non-respect des principes de sécurité.** La négligence en une fraction de seconde peut causer des blessures graves.

4. Fonctionnement et entretien de l'outil électrique

- Ne forcez pas l'outil électrique. Utilisez l'outil électrique approprié pour votre application.** L'outil électrique approprié fera le travail plus efficacement et de manière plus sécuritaire au rythme pour lequel il est conçu.
- N'utilisez pas l'outil électrique si l'interrupteur ne fonctionne plus.** Tout outil électrique dont l'interrupteur ne fonctionne plus devient dangereux et doit être réparé immédiatement.
- Débranchez l'outil électrique de la source d'alimentation ou retirez le bloc-piles avant d'effectuer tout réglage, de changer un accessoire ou d'entreposer l'outil électrique.** Ces mesures de sécurité préventive réduisent les risques de démarrage accidentel de l'outil électrique.
- Gardez les outils électriques hors tension loin de la portée des enfants et ne permettez pas à des personnes qui ne connaissent pas l'outil électrique ou les instructions présentes de faire fonctionner l'outil.** Les outils électriques sont dangereux entre les mains d'une personne non formée.
- Prenez soin des outils et leurs accessoires. Veillez à ce que les pièces rotatives ne soient pas désalignées et qu'elles ne se coincent pas, qu'aucune pièce n'est brisée ainsi que toute condition qui affecte le fonctionnement de l'outil électrique est absente. N'utilisez pas un outil électrique endommagé et faites-le réparer immédiatement.** Plusieurs accidents sont causés par des outils électriques mal entretenus.
- Maintenez les outils de coupe bien aiguisés et propres.** Les outils de coupe bien entretenus avec des lames aiguisées sont moins susceptibles de coincer et sont plus faciles à manier.
- Utilisez l'outil électrique, les mèches, les accessoires, etc. conformément aux présentes instructions en prenant en considération l'environnement et le travail à être effectué.** L'utilisation de l'outil électrique pour des fins autres que pour lesquelles il est conçu peut entraîner des situations dangereuses.
- Gardez les poignées et les surfaces de saisie sèches, propres et exemptes d'huile ou de gras.** Les poignées et les surfaces de saisie glissantes ne permettent pas une manipulation et un contrôle sécuritaires de l'outil en cas d'événement inattendu.

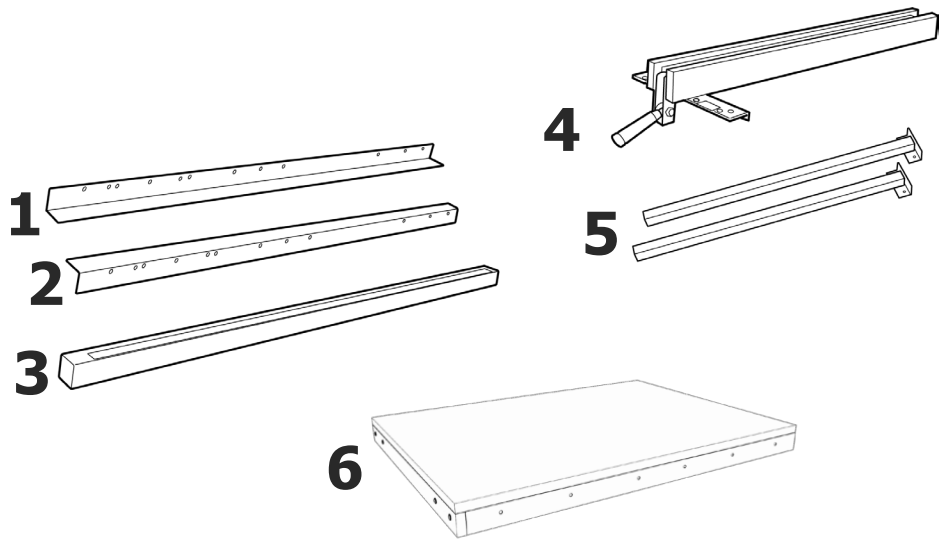
5. Entretien

- Demandez à un technicien qualifié d'entretenir votre outil électrique en utilisant des pièces de rechange identiques.** Ceci assure le maintien de la sécurité de l'outil électrique.

CONTENU DES CARTONS

CONTENU DU CARTON

1. Rail de Guidage Avant (1)
2. Rail de Guidage Arrière (1)
3. Tube de Guidage (1)
4. Barrière (1)
5. Jambes de Soutien (36-T50₃ uniquement) (2)
6. Table d'Extension (36-T50₃ uniquement) (1)



PACKET DE MATÉRIEL

(inclus avec le 36-T30₃)

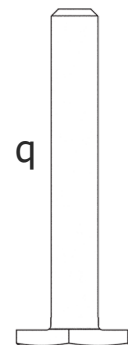
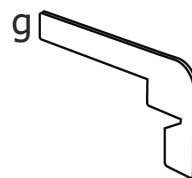
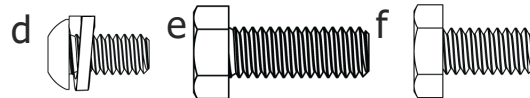
- a. 5/16" Rondelle de Blocage à Dent Externe (14)
- b. 5/16" Écrous à Bride Hexagonal (17)
- c. 5/16" Vis à Tête Fraisée (8)
- d. 1/4" Vis à Tête Cylindrique avec Rondelle (4)
- e. 5/16" Vis Femelle Hexagonale (17)
- f. 1/4-20 x 1/2" Vis à Tête Hexagonale (2)
- g. Jauge d'Alignement de Rail (1)



PACKET DE MATÉRIEL

(inclus avec le 36-T50₃)

- a. 5/16" Rondelle de Blocage à Dent Externe (10)
- b. 5/16" Écrous à Bride Hexagonal (13)
- c. 5/16" Vis à Tête Fraisée (6)
- d. 1/4" Vis à Tête Cylindrique avec Rondelle (6)
- e. 5/16" Vis Femelle Hexagonale (13)
- f. 1/4-20 x 1/2" Vis à Tête Hexagonale (2)
- g. Jauge d'Alignement de Rail (1)
- h. 7/32 x 1/2" Rondelles Plates (4)
- i. 1/4-20" Écrou Hexagonal (12)
- j. 3/8-16" Écrou Hexagonal (2)
- k. n°10-32" Écrou Hexagonal (4)
- l. 5/16" x 5/8" Rondelles Plates (12)
- m. 10-32 x 1 3/4" Boulons à Tête Cylindrique (4)
- n. n°8 x 3/4" Vis à Bois (8)
- o. 1/4-20 x 1-1/2" Vis à Tête Hexagonale (6)
- p. 1/4-20 x 1 1/2" Vis à Tête Fraisée (6)
- q. Pieds Réglables (2)



NOTE: Les modèles DELTA® 36-T30₃ et 36-T50₃ sont conçus pour une utilisation avec de nombreux établis pour scie DELTA® et certains d'autres marques. Les accessoires de montage sont de types et de tailles variés, et ne sont peut-être pas tous nécessaires pour attacher ce guide à votre établi pour scie. Utiliser les accessoires de montage appropriés pour votre établi vous permettant d'attacher en toute sécurité les rails de guide et le tube du guide à votre établi.

ASSEMBLAGE

DEBALLAGE ET NETTOYAGE

Soigneusement déballer la machine et toutes les pièces non fixées du/des emballage(s) d'expédition. Retirer l'huile anti corrosion des surfaces non peintes à l'aide d'un chiffon doux humidifié avec un solvant inorganique, du diluant à peinture ou de l'alcool dénaturé.

⚠ MISE EN GARDE : Ne pas utiliser de solvants hautement volatils tel l'essence, le naphte, l'acétone ou du diluant à laque pour nettoyer votre machine. Après le nettoyage, couvrir les surfaces non peintes d'une cire à parquets d'usage domestique de bonne qualité.

⚠ AVERTISSEMENT : Pour réduire le risque de blessure, éteignez l'appareil et débranchez-le de la source d'alimentation avant d'installer/de retirer des accessoires, de régler ou d'effectuer des réparations. Un démarrage accidentel peut provoquer des blessures.

OUTILS NECESSAIRES POUR L'ASSEMBLAGE

Clé hexagonale 5/32" (fournie)

Clé hexagonale 3/16" (fournie)

Jauge d'alignement de rail (fournie)

Tournevis standard (non fourni) Tournevis Phillips (non fourni)

Clé réglable (non fournie)

Perceuse et forets 1/4" (non fournis)

INSTALLER LE RAIL DE GUIDE AVANT

1. Avec le bord gauche du Rail de Guidage Avant (1) près du bord de l'Aile d'Extension Gauche, alignez les Deux Trous du tableau avec les Deux Trous du Rail de Guidage Avant, comme indiqué à l'emplacement «A» sur la **Figure 3**.
2. Fixez le rail de Guidage Avant à la table avec deux vis à Tête Fraisée de 5/16" (c), 5/16" Rondelles de Blocage à Dent Externe (a) et 5/16" Écrous à Bride Hexagonal (b). Serrez au doigt uniquement.
3. Assurez-vous que le Rail de Guidage Avant est parallèle au Dessus de Table en fonte en utilisant la Jauge d'Alignement du rail (g) pour vérifier la distance entre la surface supérieure du Rail de Guidage Avant et le haut de la table des deux côtés de la Table de Sciage.
4. Fixez les vis à Tête Fraisée restantes (c) à travers les trous du Rail de Guidage Avant et des Ailes d'Extension à l'aide de Rondelles de Blocage à Dent Externe (a) et d'Écrous Hexagonaux à Colletterte (b) si nécessaire. Assurez-vous que les Ailes d'Extension sont au niveau du Dessus de la Table en fonte.
5. Resserrer tout le matériel fixant l'Avant Rail de guidage vers le Haut de la Table.

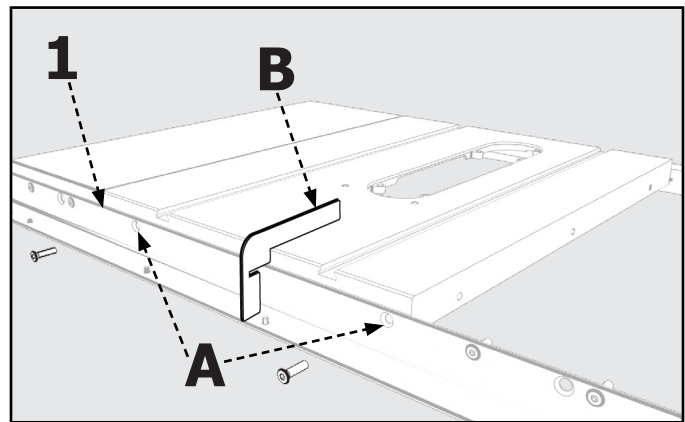


FIGURE 3

REMARQUE: Le Rail de Guidage Avant et le Rail de Guidage Arrière du 36-T50₃ ont des trous supplémentaires à l'Extrémité d'Extension qui sont utilisés pour fixer une Table d'Extension. Si vous prévoyez d'installer une Table d'Extension sur votre Table de Sciage, installez-la avant de fixer le Tube de Guidage. Selon votre modèle de scie, certains trous dans le Rail de Guidage Avant et le Rail de Guidage Arrière peuvent ne pas être utilisés.

ASSEMBLAGE

INSTALLER LE RAIL DE GUIDE ARRIERE

1. Avec le bord du Rail de Guidage Arrière (2) près du bord de l'Aile d'Extension Gauche, alignez les Deux Trous dans la table avec les Deux Trous du Rail de Guidage Arrière, comme indiqué à l'emplacement «A» sur la **Figure 4**.
2. Fixez le Rail de Guidage Arrière à la table avec deux Vis Femelles Hexagonales 5/16" (e), 5/16" Rondelles de Blocage à Dent Externe (a), et 5/16" Écrous Hexagonaux à Bride (b). Serrez au doigt uniquement.
3. Assurez-vous que le Rail de Guidage Arrière est parallèle au Dessus de Table en fonte en utilisant la Jauge d'Alignement du rail (g) pour vérifier la distance entre la surface supérieure du Rail de Guidage Arrière et le haut de la table des deux côtés de la Table de Scie.
4. Fixez les Vis Femelle Hexagonales (e) restantes à travers les trous du Rail de Guidage Arrière et des Ailes d'Extension à l'aide de Rondelles de Blocage à Dent Externe (a) et d'Écrous à Bride Hexagonale (b) si nécessaire. Assurez-vous que les Ailes d'Extension sont au niveau du Dessus de la Table en fonte.
5. Serrez tout le matériel fixant l'arrière.

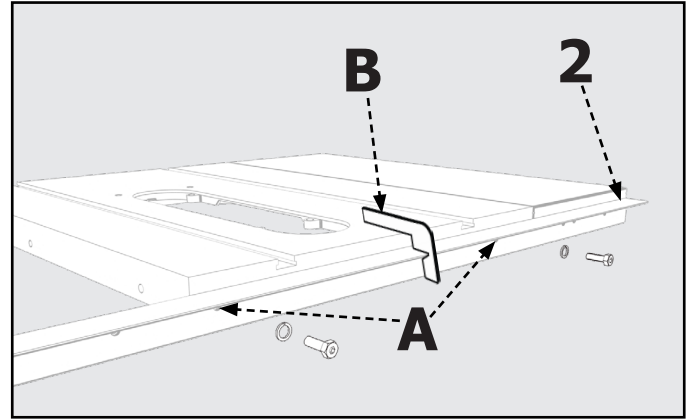


FIGURE 4

(R)ATTACHER UNE RALLONGE EXISTANTE

Si l'établi est muni d'une rallonge supplémentaire retirée lors du désassemblage des anciens rails de guide, l'installer à nouveau maintenant.

RAIL DE GUIDAGE VERS LE HAUT DE LA TABLE.

En cas d'achat d'une rallonge supplémentaire, l'installer maintenant en utilisant les accessoires de montage fournis avec le guide.

1. Fixez la nouvelle Aile d'Extension à l'aile existante à l'aide de trois Vis Femelles Hexagonales 5/16" (e), de Rondelles de Blocage à Dent Externe 5/16" (a) et d'Écrous Hexagonaux à Bride 5/16" (b).
2. Fixez le Rail de Guidage Avant à la nouvelle Aile d'Extension avec des Vis à Tête Fraisée de 5/16" (c).
3. Fixez le Rail de Guidage Arrière à la nouvelle Aile d'Extension à l'aide de Vis Femelles Hexagonales (e), de Rondelles de Blocage à Dent Externe (a) et d'Écrous Hexagonaux à Bride (b) selon les besoins.

CONSTRUIRE ET ATTACHER UN SUPPORT D'ETABLI EN BOIS

(À utiliser uniquement avec le kit de clôture DELTA® 36-T50_{T3})

En raison de la longueur étendue des rails DELTA® 36-T50_{T3}, il est nécessaire de construire un support de Table en Bois pour positionner et soutenir les pièces surdimensionnées.

Pour construire un support de Table en Bois, reportez-vous à la **Figure 5**.

La Table d'Extension d'Accessoires 36-T53_{T3} est disponible uniquement pour une utilisation avec le 36-T50_{T3}.

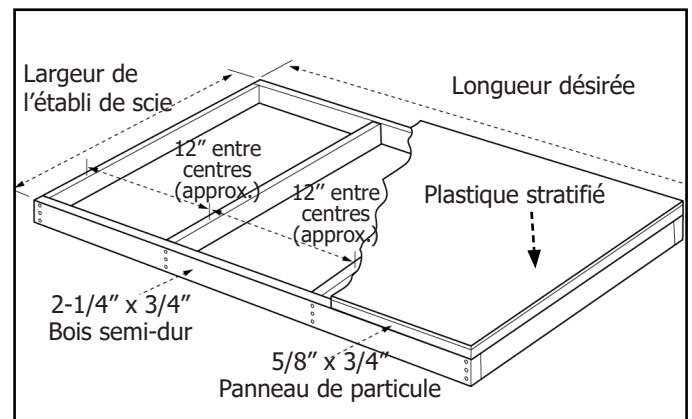


FIGURE 5

ASSEMBLAGE

Fixez les Pieds de la Table (5) à la Table d'Extension (6) comme indiqué sur la **Figure 6**.

1. Posez la Table d'Extension (6) à l'envers au sol ou sur un banc.
2. Placez le Pied de Table (5) dans le coin de la Table d'Extension (6) comme indiqué sur la **Figure 6**.
3. Fixez le Pied de Table au Plateau de Table avec quatre Vis à Bois n° 8 x 3/4" (n). Percez un trou de 1/4" à travers les deux trous du Support (A) et à travers la Jupe de Table. Fixez le Pied de Table à la Jupe de Table à l'aide de Boulons à Tête Cylindrique de 10-32 x 1-3/4" (m), d'une Rondelle Plate de 7/32 x 1/2" (h) et d'un Écrou Hexagonal n°10-32" (k).

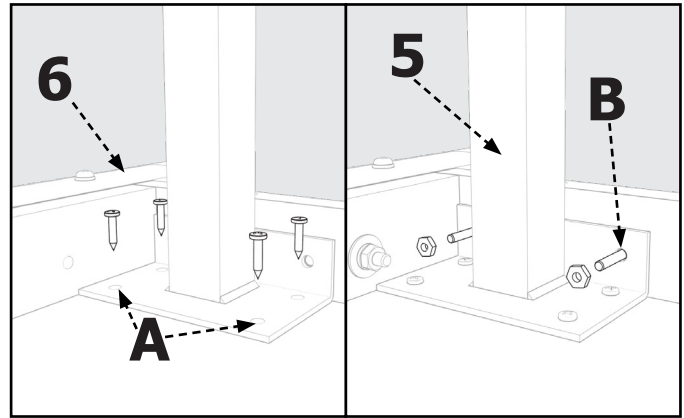


FIGURE 6

Ensuite, attacher un pied fileté de mise à niveau sur chaque pied tel illustré dans **Figure 7**.

1. Assemblez l'Écrou Hexagonal de 3/8-16" (j) sur les Pieds de Mise à Niveau (q).
2. Filez les Pieds de Nivellement dans le bas du Pied de Table (5).
3. Répétez les Étapes 1 et 2 pour l'autre Assemblage de Pied.

NOTE: la hauteur sera ajustée plus tard.

4. Placez l'Assemblage de la Table (6) en position entre les deux rails, comme illustré dans la **Figure 8**. Assurez-vous que le Bord de la Table de Sciage (B) affleure le bord de la Table d'Extension.
5. À l'aide d'un Bord Droit (C), assurez-vous que la Table d'Extension est dans le même plan et au même niveau que la Table de Sciage. 109/5000 Si nécessaire, tapotez légèrement vers le haut ou vers le bas et ajustez les Pieds de Mise à Niveau pour régler la Table d'Extension avec la Table de Sciage.
6. Utilisez des Serre-Joints pour fixer la Table d'Extension aux Rails de Guidage Avant et Arrière, comme illustré dans la **Figure 9**.
7. En utilisant les trous des Rails de Guidage Avant et Arrière, illustrés dans la **Figure 9**, comme modèle, percez des trous de 1/4" à l'avant et à l'arrière de la Table d'Extension.
8. Fixez la Table d'Extension au Rail de Guidage Avant à l'aide de Vis à Tête Fraisée de 1/4-20 x 1-1/2" (p), de Rondelles Plates 5/16 x 5/8" (l) et de 1/4-20" Écrous Hexagonaux (i). Fixez la Table d'Extension au Rail de Guidage Arrière à l'aide d'une Vis à Tête Hexagonale de 1/4-20 x 1-1/2" (o) avec les mêmes Rondelles Plates (l) et Écrous Hexagonaux (i) que ceux utilisés pour le Rail de Guidage Avant.

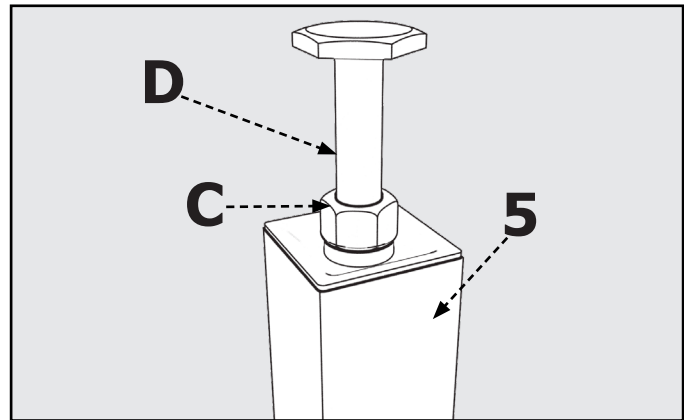


FIGURE 7

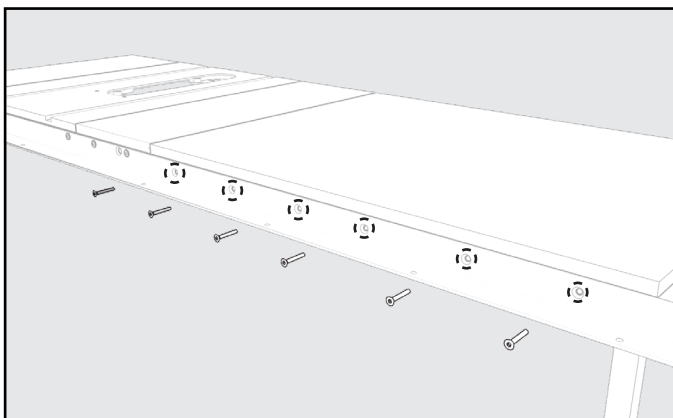


FIGURE 9

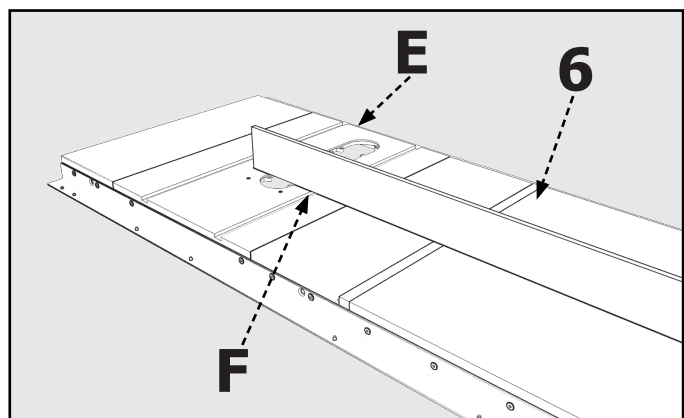


FIGURE 8

ASSEMBLAGE

ATTACHER LE TUBE DU GUIDE

1. Fixez le Tube Guide de Barrière (3) au Guide Avant Rail (1) en utilisant quatre (pour les versions 30") ou six (pour les versions 52") Vis à Tête Cylindrique 1/4" avec Rondelle (d) à travers les Trous (B) sur le côté inférieur du Rail Avant.

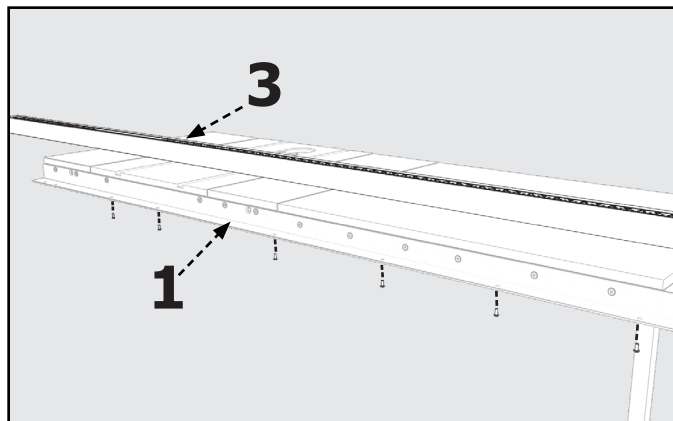


FIGURE 10

NOTE: Si la barre d'écartement a été retirée lors du désassemblage de l'ancien système de guide, l'installer à nouveau maintenant.

INSTALLER LE GUIDE

1. Placez la Barrière (4) sur le Tube de Guidage (3) et soulevez le Levier de Serrage (A).
2. Guidez la Barrière sur le Rail de Guidage Arrière (2), comme illustré à la **Figure 11**, et poussez doucement la Barrière sur le Tube de Guidage (3).

NOTE: S'assurer que le clip à l'arrière du guide s'engage dans le rail de guide arrière.

3. Appuyez sur le Levier de Serrage pour verrouiller la Barrière en place.

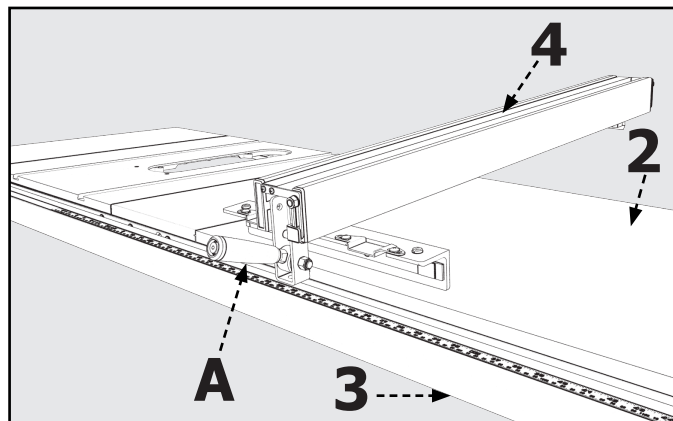


FIGURE 11

FONCTIONNEMENT ET REGLAGES

⚠ AVERTISSEMENT : Pour réduire le risque de blessure, éteignez l'appareil et débranchez-le de la source d'alimentation avant d'installer/de retirer des accessoires, de régler ou d'effectuer des réparations. Un démarrage accidentel peut provoquer des blessures.

ALIGNER LE GUIDE SUR LES RAINURES DU GUIDE A ONGLETS

1. Déplacez la Barrière (4) jusqu'au bord inférieur de la Barrière est en ligne avec le bord de une des Fentes de la Jauge à Onglets (C).
2. Appuyez sur le Levier de Serrage de la Barrière (B) pour verrouiller la Barrière en place. Le bord de la Barrière doit être parallèle à la Fente de la Jauge à Onglets.

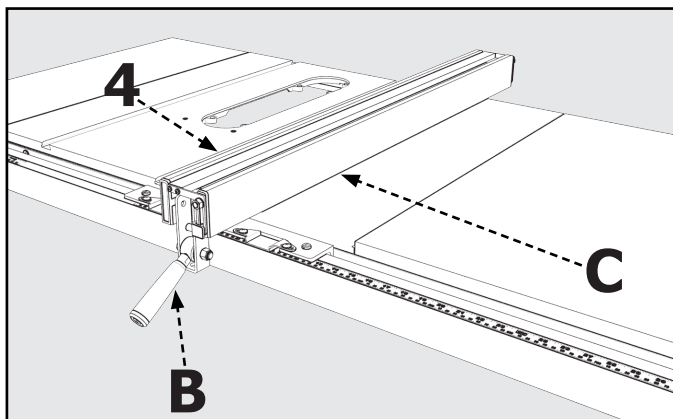


FIGURE 12

FONCTIONNEMENT ET REGLAGES

REGLAGE:

1. Soulevez le Levier de Serrage de la Barrière et retirez la Barrière.
2. Serrez ou desserrez légèrement l'une des deux Vis de Réglage (A) illustrées dans la **Figure 13**, à l'aide d'une Clé Hexagonale de 3mm (non fournie).

IMPORTANT: Très peu de mouvement des vis de réglage est nécessaire pour régler la Barrière.

3. Placez la Barrière sur le Tube de Guidage et vérifiez à nouveau l'alignement.
4. Répétez les étapes 1 à 3 jusqu'à ce que le bord de la Barrière soit parallèle à la Fente de la Jauge à Onglets.

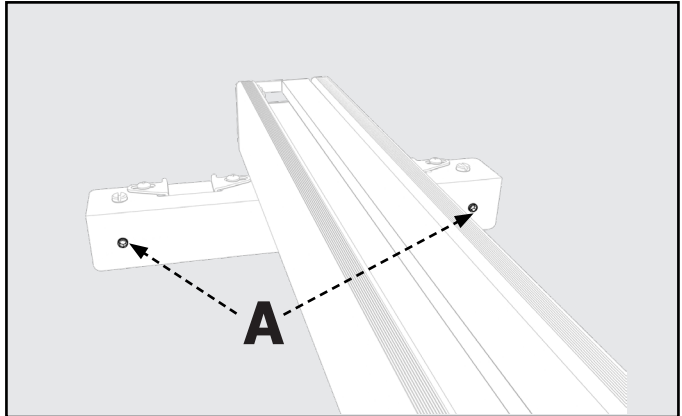


FIGURE 13

REGLAGE PERPENDICULAIRE DU GUIDE SUR L'ETABLI

⚠ AVERTISSEMENT : Pour réduire le risque de blessure, éteignez l'appareil et débranchez-le de la source d'alimentation avant d'installer/de retirer des accessoires, de régler ou d'effectuer des réparations. Un démarrage accidentel peut provoquer des blessures.

1. Verrouillez la Barrière en place sur la Table.
2. À l'aide d'un Carré en T (B) placé contre le milieu de la Barrière, vérifiez si la barrière est perpendiculaire à la Table, comme illustré dans la **Figure 14**.

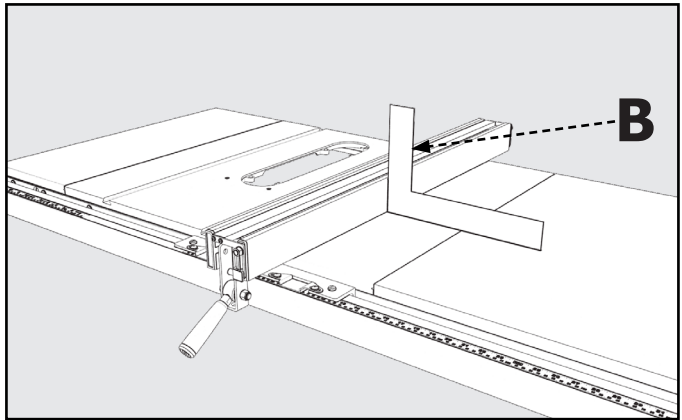


FIGURE 14

REGLAGE:

1. Pour régler, repérez les deux Vis de Réglage en Nylon (C) au-dessus de la Barrière illustrée dans la **Figure 15**.
2. À l'aide d'un Tournevis à Tête Plate, tournez les Vis de Réglage en Nylon pour amener la Barrière perpendiculairement à la Table.
3. Vérifiez à nouveau l'alignement et continuez pour ajuster les Vis jusqu'à ce que le bord de la Barrière est perpendiculaire à la Table.

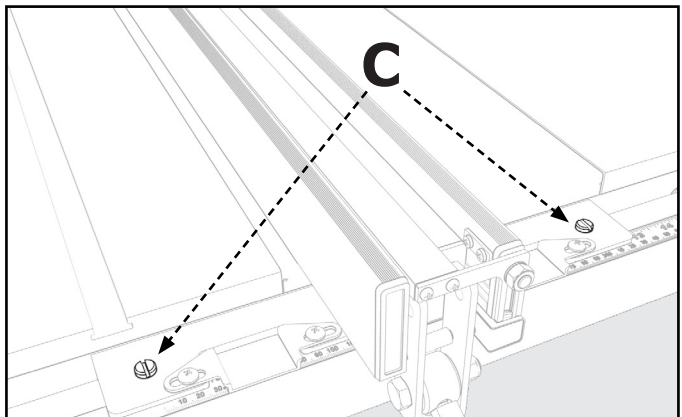


FIGURE 15

REGLER LA TENSION DU LEVIER DE SERRAGE DU GUIDE

⚠ AVERTISSEMENT : Pour réduire le risque de blessure, éteignez l'appareil et débranchez-le de la source d'alimentation avant d'installer/de retirer des accessoires, de régler ou d'effectuer des réparations. Un démarrage accidentel peut provoquer des blessures.

Lorsque la Barrière est en place contre le Tube de Guidage et que le Levier de Serrage de la Barrière (A) est verrouillé, l'Ensemble de Barrière (4) ne doit pas bouger. Si la Barrière se déplace ou si le Levier doit être forcé vers le bas, la tension sur le Levier de Serrage de la Barrière doit être ajustée. Procédez comme suit:

1. Soulevez le Levier de Serrage de la Barrière et retirez la Barrière.
2. Localisez les deux Vis de Réglage (A), illustrées dans la **Figure 13**.
3. Utilisez une Clé Hexagonale de 3mm (non fournie) pour régler les Vis.
 - a. Si le Levier de Serrage de la Barrière est trop lâche, serrez les Vis de Réglage.
 - b. Si le Levier de Serrage de la Barrière est trop serré, desserrez les Vis de Réglage.

NOTE: Les deux vis doivent être réglées à l'identique.

4. Placez la Barrière sur le Tube de Guidage et vérifiez à nouveau pour voir si l'Ensemble de Barrière se serre facilement et tient fermement.
5. Continuez à effectuer les ajustements nécessaires.

IMPORTANT: Après avoir ajusté le Levier de Serrage de la Barrière, assurez-vous que la Barrière est parallèle à la Fente de la Jauge à Onglets. Ajustez si nécessaire.

REGLER LE POINTEUR

Le Pointeur (C) indique la distance entre la face intérieure de la Barrière et la Lame. Pour vérifier la position du Pointeur:

1. Placez le Guide sur le Tube de Guidage et notez la position indiquée sur le Pointeur.
2. Verrouillez la Barrière en place en appuyant sur le Levier de Serrage de la Barrière.
3. En suivant les consignes de sécurité de votre manuel de Table de Sciage, faites un essai de coupe sur un échantillon.
4. Mesurez la pièce coupée pour vous assurer qu'elle est identique à la distance indiquée par le Pointeur. Si la pièce est incorrecte, la position du Pointeur doit être ajustée. Pour faire ça:

REMARQUE: Ne déverrouillez pas le Levier de Serrage de la Barrière et n'essayez pas de déplacer la Barrière.

- a. Desserrez les deux Vis (D) et déplacez manuellement le Pointeur de manière à ce qu'il corresponde à la longueur de votre échantillon.
- b. Serrez les deux Vis et déplacez la Barrière du côté opposé de la lame pour répéter les étapes ci-dessus avec le deuxième Pointeur.

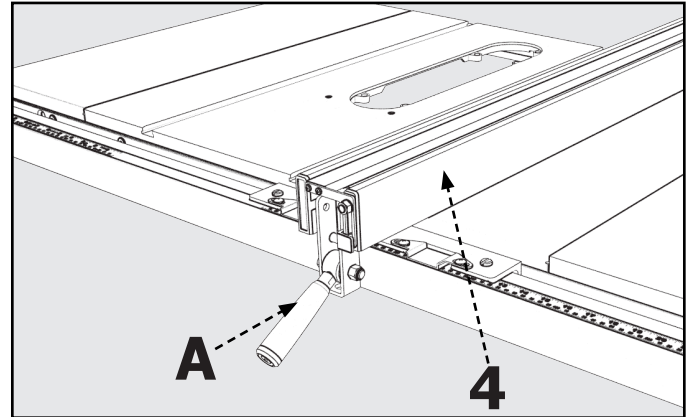


FIGURE 16

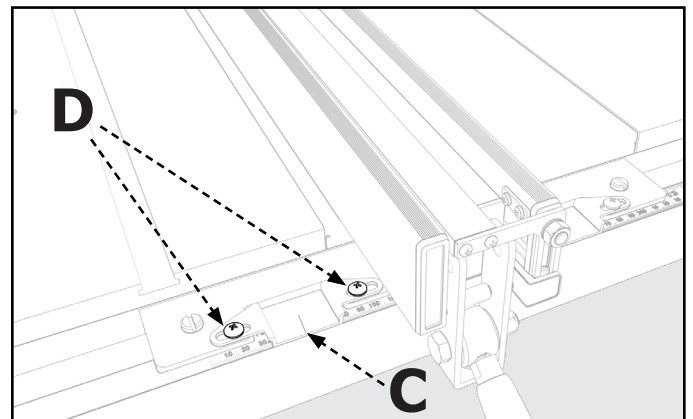


FIGURE 17

DEPANNAGE

Tous les accessoires et machines DELTA® sont fabriqués en respectant de hauts standards de qualité et le service après-vente est effectué par un réseau de Centres SAV Agréés. Pour obtenir des informations supplémentaires sur vos produits DELTA® ou des pièces, le SAV, bénéficier de la garantie ou connaître le centre SAV le plus proche, appeler le 1-800-223-7278.

ENTRETIEN

Pour réduire le risque de blessure, éteignez l'appareil et débranchez-le de la source d'alimentation avant d'installer/de retirer des accessoires, de régler ou d'effectuer des réparations. Un démarrage accidentel peut provoquer des blessures.

GARDER LA MACHINE PROPRE

Souffler périodiquement de l'air comprimé sec à l'intérieur de tous les conduits d'air. Toutes les pièces en plastique doivent être nettoyées avec un chiffon doux humide. N'utilisez JAMAIS de solvant pour nettoyer les pièces en plastique. Il pourrait dissoudre ou endommager le matériel.

Portez des équipements de sécurité certifiés pour la protection oculaire, auditive et respiratoire lors de l'utilisation d'air comprimé.

Pour de meilleures performances, utilisez un aspirateur ou une soufflante d'atelier pour garder la zone de la lame de scie, le système de collecte de poussière, le système de protection et les rails exempts de sciure et autres débris.

GRAISSAGE ET PROTECTION CONTRE LA CORROSION

Appliquez de la cire en pâte pour planchers de bois brut sur la table de la machine de temps en temps ou utilisez un produit de protection disponible dans le commerce et prévu à cet effet. Suivez les instructions du fabricant pour l'utilisation et la sécurité.

Pour nettoyer la rouille des tables en fonte, vous aurez besoin du matériel suivant : un tampon à récurer de taille moyenne, un bidon de lubrifiant de pulvérisation et un bidon de dégraissant. Appliquez le lubrifiant de pulvérisation et polissez la surface de la table avec le tampon à récurer. Dégraissez la table puis appliquez le produit de protection comme décrit ci-dessus.

RAPPELS D'ENTRETIEN

Portez des équipements de sécurité certifiés pour la protection oculaire, auditive et respiratoire lors de l'utilisation d'air comprimé.

Les points spécifiques qui nécessitent un entretien régulier sont :

PLAQUE DE FIXATION DU COUTEAU DIVISEUR : Gardez cette zone exempte d'accumulations de poussière et de débris. Soufflez régulièrement la zone à l'air comprimé.

REMARQUE : Si la pince du couteau diviseur ne peut pas se déplacer librement, faites entretenir la scie par le personnel d'un centre de service autorisé par DELTA® Power Equipment Corporation.

ENGRENAGES À VIS SANS FIN : Gardez les engrenages à vis sans fin exempts d'accumulations de poussière et de débris. Soufflez régulièrement la zone à l'air comprimé. Utilisez une graisse multi-usages à base de lithium sur ces engrenages si nécessaire.

ÉLIMINEZ PÉRIODIQUEMENT L'ACCUMULATION DE SCIURE DANS LE CAISSON : REMARQUE : Il est également possible d'éliminer les débris de la scie par le dessous de la plaque à gorge, à l'intérieur du capteur de poussière.

LUBRIFICATION DU GUIDE

1. Appliquez de la Cire en Pâte sur la Barrière et le Guide des surfaces coulissantes du Tube chaque semaine.
2. Appliquez occasionnellement de la Graisse sur le Verrouillage Cam et le Pied Cam (A), comme illustré dans la **Figure 18**, pour éviter l'usure.

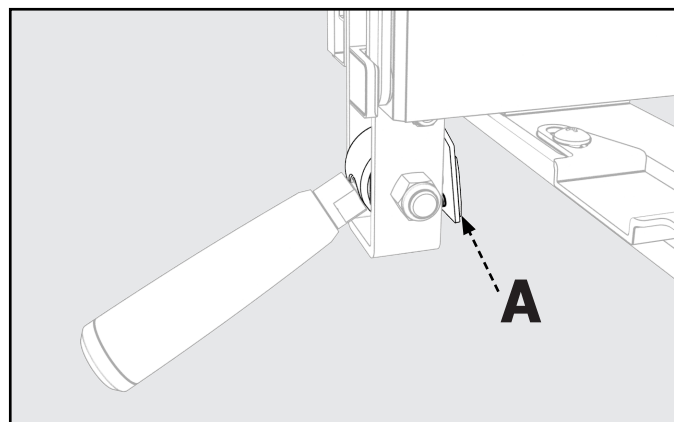


FIGURA 18

ACCESSOIRES

Pour les accessoires, veuillez visiter notre site Web pour un catalogue en ligne ou pour le nom de votre fournisseur le plus proche.

⚠ AVERTISSEMENT : Puisque les accessoires autres que ceux offerts par DELTA® n'ont pas été testés avec ce produit, l'utilisation de ces accessoires peut être dangereuse. Pour une utilisation sécuritaire, seulement les accessoires DELTA® recommandés doivent être utilisés avec ce produit.

ASSISTANCE POUR PIÈCES, SERVICE OU GARANTIE

Les machines et accessoires DELTA® sont fabriqués selon des normes de haute qualité et peuvent être réparés dans le réseau de centres de service autorisés. Pour obtenir des informations supplémentaires au sujet de votre produit ou pour obtenir des pièces, du service, l'assistance en vertu de la garantie ou l'emplacement du centre de service le plus proche, appelez au 1-800-223-7278.

Garantie limitée de deux ans

1. CE QUI EST GARANTI. Delta Power Equipment Corporation (la « Société ») réparera ou remplacera, à son entière discrétion, ce produit qui a été acheté au détail aux États-Unis ou au Canada et qui, avec une utilisation normale, s'est avéré comporter des défauts de fabrication ou de matériau, sous réserve des conditions énoncées dans la présente garantie limitée. Cette garantie limitée couvre uniquement les matériaux et la main-d'œuvre. Tous les frais de transport sont la responsabilité du client.

2. PÉRIODE DE GARANTIE. Toutes les réclamations de garantie doivent être soumises dans les deux ans suivant la date d'achat au détail. Pour toutes les pièces d'entretien et les produits remis à neuf en usine, la période de garantie est de 180 jours.

3. COMMENT FAIRE POUR OBTENIR LE SERVICE. Pour obtenir un service en vertu de la garantie, vous devez retourner le produit défectueux, ainsi qu'une preuve d'achat acceptable, telle que votre reçu original portant la date d'achat, ou le numéro d'enregistrement du produit, à vos frais et dans la période de garantie applicable, à un centre de service autorisé par la Société (un « centre de service autorisé ») pour que le personnel du centre effectue le service en vertu de la garantie. La Société réserve le droit de restreindre le service de réclamation en vertu de la garantie dans le pays où l'achat a été effectué et/ou de facturer le coût pour l'exportation de pièces de rechange ou pour fournir un service en vertu de la garantie dans un pays différent. À cette fin, les achats en ligne sont réputés être effectués aux États-Unis. Pour l'emplacement de votre centre de service autorisé le plus proche, appelez le service à la clientèle de la société au 1-800-223-7278.

4. EXCLUSIONS.

- La Société n'offre aucune garantie sur les produits achetés en état usagé ou endommagé.
- La Société ne garantit pas les produits achetés à l'extérieur des États-Unis ou du Canada.
- La société ne sera pas tenue responsable des dommages résultant de l'usure normale, d'une mauvaise utilisation, d'abus ou de réparations ou modifications apportées par un tiers autre qu'un centre de service agréé ou un représentant désigné par le service à la clientèle de la société.

TOUTES LES GARANTIES IMPLICITES sont expressément limitées à la période de garantie indiquée ci-dessus.

La société n'est pas responsable des dommages ACCESSOIRES OU IMMATÉRIELS.

Cette garantie limitée est la seule garantie de la Société et énonce le recours exclusif du client par rapport à des produits défectueux; toutes les autres garanties, expresses ou implicites, qu'il s'agisse de la qualité marchande, d'aptitude à l'usage ou autre, sont expressément rejetées par la Société, sauf mention expresse dans la présente déclaration de garantie.

Certains États n'autorisent pas l'exclusion ou la limitation des dommages accessoires ou immatériels, ni la limitation des garanties implicites, de sorte que les limitations ou exclusions ci-dessus peuvent ne pas s'appliquer à vous. Cette garantie vous donne des droits légaux spécifiques et vous pouvez avoir d'autres droits, qui varient d'un état ou province à l'autre. Pour plus de détails sur la couverture de garantie et de l'information sur les réparations sous garantie, composer le 1-800-223-7278. Pour enregistrer vos produits en ligne, nous vous encourageons à visiter notre site Web et à vous inscrire pour un compte de membre GRATUIT DELTA® à <http://www.deltamachinery.com/register>.

AMÉRIQUE LATINE : Cette garantie ne couvre pas les produits vendus en Amérique latine. Pour les produits vendus en Amérique latine, appeler l'entreprise locale ou consulter le site Web pour obtenir des informations de garantie.

PIÈCES DE REMPLACEMENT

N'utiliser que des pièces de rechange identiques. Pour une liste de pièces ou pour commander des pièces, visitez notre site Web au www.DeltaMachinery.com/service. Vous pouvez également commander des pièces de votre centre de service de garantie autorisé le plus proche ou en appelant le directeur du service technique au 1-800-223-7278 pour recevoir un soutien personnalisé de l'un de nos représentants hautement qualifiés.

REEMPLACEMENT GRATUIT DES ÉTIQUETTES DE SÉCURITÉ

Si vos étiquettes d'avertissement deviennent illisibles ou sont manquantes, composez le 1-800-223-7278 pour un remplacement gratuit.

Entretien et réparations

Tous les outils de qualité nécessiteront éventuellement un entretien et/ou un remplacement des pièces. Pour plus d'informations sur Delta Power Equipment

Corporation et ses succursales ou pour localiser un centre de réparation autorisé, visitez notre site Web à www.DeltaMachinery.com/service ou communiquez avec le service à la clientèle au 1-800-223-7278. Toutes les réparations effectuées par nos centres de service sont entièrement garanties contre les défauts de matériau et de fabrication. Nous ne pouvons garantir les réparations effectuées ou tentées par des tiers. En appelant ce numéro, vous pouvez également trouver des réponses aux plus fréquentes questions 24 heures par jour.

Pour plus d'informations, vous pouvez également nous écrire à Delta Power Equipment Corporation, 2651 New Cut Road, Spartanburg, SC 29303 –

Au soin de : Directeur des services techniques. Veuillez à indiquer toutes les informations figurant sur la plaque signalétique de votre scie (numéro de modèle, type, numéro de série, code de date, etc.).

TABLA DE CONTENIDO

DESCRIPCIÓN FUNCIONAL	26	MANTENIMIENTO	3 6
INSTRUCCIONES IMPORTANTES DE SEGURIDAD	27	ACCESORIOS.....	3 7
CONSEJOS DE SEGURIDAD - DEFINICIONES	27	GARANTÍA.....	3 7
NORMAS GENERALES DE SEGURIDAD	28	PIEZAS, SERVICIOS Y ASISTENCIA DE GARANTÍA.....	37
CONTENIDO DE LA CAJA	29	REVISIÓN	3 7
ENSAMBLAJE	30	FRENCH	1 4
MANEJO Y AJUSTES	3 3	SPANISH	2 6
RESOLUCIÓN DE PROBLEMAS.....	3 6		

DESCRIPCIÓN FUNCIONAL

Los sistemas de guía DELTA® 36-T30₃ y DELTA® 36-T50₃ incluyen el conjunto de la guía, los perfiles en L delantero y trasero, y el tubo de guía frontal junto con lo necesario para el montaje y ensamblaje del sistema de guía para la mayoría de mesas de sierra DELTA® y algunas mesas de sierra de otras marcas.

Además, el sistema de guía DELTA® 36-T50₃ también incluye como accesorio un kit de pata que puede usarse con una mesa de extensión de madera. La mesa de extensión de madera debe adquirirse separadamente o bien puede ser construída siguiendo las instrucciones contenidas en este manual.

AVISO: Las ilustraciones contenidas en este manual muestran el sistema de guía 36-T30₃ tal y como debe ser instalado en la sierra de mesa DELTA® 36-729. Estas ilustraciones pretenden ilustrar sólo el método utilizado. Las configuraciones y herramientas requeridas para esta guía a su sierra en particular pueden variar.

AVISO: La cubierta del manual ilustra el modelo de producción actual. Todas las demás ilustraciones contenidas en el manual son solo representativas y pueden no ser representaciones exactas de las etiquetas o accesorios reales incluidos. Están destinados únicamente a fines ilustrativos.

ADVERTENCIA DE LA PROPUESTA 65:

⚠ ADVERTENCIA: Parte del polvo creado por la lijadora, sierra, esmeriladora, perforadora, y otras actividades de construcción eléctricas contiene químicos, que, según el Estado de California, producen cáncer, defectos de nacimiento, u otro daño reproductivo. Ejemplos de estos químicos:

- Plomo de pinturas a base de plomo
- Sílice cristalina de los ladrillos y cemento y otros productos de albañilería
- Arsénico y cromo de madera con tratamiento químico

Su riesgo al exponerse a estos químicos varía, dependiendo de la frecuencia con la que realice este tipo de trabajo. Para reducir su exposición, trabaje en un área bien ventilada y con el equipo de seguridad aprobado, como máscaras para el polvo que estén especialmente diseñadas para filtrar partículas microscópicas.

INSTRUCCIONES DE SEGURIDAD IMPORTANTES







⚠ ADVERTENCIA: LEA Y SIGA TODAS LAS ADVERTENCIAS E INSTRUCCIONES QUE SE ENCUENTRAN EN EL PRODUCTO Y EN ESTE MANUAL. CONSERVE ESTE MANUAL. AL UTILIZAR LA HERRAMIENTA, ASEGÚRESE DE QUE TODOS LOS USUARIOS ESTÉN FAMILIARIZADOS CON LAS ADVERTENCIAS E INSTRUCCIONES. Una utilización, mantenimiento o modificación incorrectos de las herramientas o equipamiento podrían causar lesiones graves y/o daños materiales.

SÍMBOLOS DE SEGURIDAD- DEFINICIONES

Este manual contiene información que es importante que usted conozca y entienda. Esta información se refiere a la protección de SU SEGURIDAD y PREVIENE PROBLEMAS DEL EQUIPO. Para ayudarlo a reconocer esta información, usamos los símbolos debajo. Lea el manual y preste atención a estas secciones.

- ⚠ PELIGRO:** Indica una situación de peligro inminente que, si no se evita, provocará muertes o lesiones graves.
- ⚠ ADVERTENCIA:** Indica una situación potencialmente peligrosa que, si no se evita, podría causar muertes o lesiones graves.
- ⚠ PRECAUCIÓN:** Indica una situación potencialmente peligrosa que, si no se evita, podría causar lesiones menores o moderadas.
- PRECAUCIÓN:** Utilizada sin el símbolo de advertencia de seguridad indica una situación potencialmente peligrosa que, si no se evita, podría causar daño a la propiedad.

Es posible que se empleen en esta herramienta algunos de los siguientes símbolos. Le suplicamos estudiarlos y aprender su significado. Una correcta interpretación de estos símbolos le permitirá utilizar mejor y de manera más segura la herramienta.

SÍMBOLO	NOMBRE	DENOMINACIÓN/EXPLICACIÓN
	Alerta de seguridad	Indica un peligro posible de lesiones personales.
	Lea el manual del operador	Para reducir el riesgo de lesiones, el usuario debe leer y comprender el manual del operador antes de usar este producto.
	Protección ocular	Siempre póngase protección ocular con protección lateral con la marca de cumplimiento de la norma ANSI Z87.1.
	Símbolo de no acercar las manos	Si no mantiene las manos alejadas de la hoja de corte, se causará serias lesiones corporales.
	Alerta de condiciones húmedas	No exponga la unidad a la lluvia ni la use en lugares húmedos.
	Peligro de pellizco	Siempre observe el movimiento prestando atención en particular a lugares donde puede ocurrir un pellizco.
V	Volts	Voltaje
A	Amperes	Corriente
Hz	Hertz	Frecuencia (ciclos por segundo)
min	Minutos	Tiempo
~	Corriente alterna	Tipo de corriente
n ₀	Velocidad en vacío	Velocidad de rotación, en vacío
.../min	Por minuto	Revoluciones, carreras, velocidad superficial, órbitas, etc., por minuto
A.C	Corriente alterna	Tipo de corriente
Kg	Kilogramos	unidad de peso
RPM	Revoluciones por minuto	velocidad de rotaciones de la máquina
PH:1	Fase 1	Este es un motor monofásico

ADVERTENCIAS DE SEGURIDAD DE LA HERRAMIENTA ELÉCTRICA GENERAL

⚠ ADVERTENCIA: Lea todas las advertencias de seguridad, instrucciones, ilustraciones y especificaciones suministradas con esta herramienta motorizada. No seguir todas las instrucciones detalladas a continuación podría provocar descargas eléctricas, incendios y/o lesiones graves.


Guarde todas las advertencias e instrucciones para consulta futura.

El término "herramienta motorizada" en las advertencias hace referencia a la herramienta motorizada (con cable) que funciona con energía eléctrica o a la herramienta motorizada (sin cable) que funciona a BATERIA.

1. Seguridad en el área de trabajo

- Mantenga el área de trabajo limpia y bien iluminada.** Las áreas desordenadas u oscuras están propensas a accidentes.
- No utilice las herramientas motorizadas en atmósferas explosivas, como bajo la presencia de líquidos inflamables, gases o polvo.** Las herramientas motorizadas generan chispas que podrían encender el polvo o los gases.
- Mantenga alejados a los niños y personas que están observando durante el uso de una herramienta motorizada.** Las distracciones pueden provocar una pérdida de control.

2. Seguridad eléctrica

- El enchufe de la herramienta motorizada deberá coincidir con el tomacorriente. Nunca modifique el enchufe de ninguna manera. No utilice ningún adaptador con las herramientas motorizadas de conexión a tierra.** Los enchufes no modificados y los tomacorrientes que coincidan con el enchufe reducirán el riesgo de descargas eléctricas.
- Evite el contacto del cuerpo con superficies de conexión a tierra, como tuberías, radiadores, estufas y heladeras.** Existe un riesgo mayor de descarga eléctrica si su cuerpo está conectado a tierra.
 **No exponga las herramientas motorizadas a la lluvia o condiciones húmedas.** El ingreso de agua en una herramienta motorizada aumentará el riesgo de descargas eléctricas.
- No realice un uso incorrecto del cable. Nunca utilice el cable para transportar, tirar o desenchufar la herramienta motorizada. Mantenga el cable alejado de aceite caliente, bordes filosos o piezas móviles.** Los cables dañados o enredados aumentan el riesgo de descargas eléctricas.
- Al utilizar una herramienta motorizada en exteriores, utilice un cable de extensión adecuado para el uso en exteriores.** Emplear un cable adecuado para el uso en exteriores reduce el riesgo de descargas eléctricas.
- Si es inevitable el uso de una herramienta motorizada en una ubicación húmeda, utilice una fuente de alimentación con protección por parte de un interruptor de circuito con pérdida a tierra (GFCI, por sus siglas en inglés).** El uso de un GFCI reduce el riesgo de descargas eléctricas.

3. Seguridad personal

- Manténgase alerta, preste atención a la tarea que está realizando y utilice el sentido común al utilizar una herramienta motorizada. No utilice una herramienta motorizada si está cansado o bajo la influencia de drogas, alcohol o medicamentos.** Un momento de distracción durante el uso de herramientas eléctricas puede provocar una lesión personal grave.
- Usar equipo de protección personal. Siempre use protección para los ojos.** El equipo de protección, como la máscara antipolvo, los zapatos de seguridad antideslizantes, el casco o la protección auditiva y la protección contra el polvo que se utilizan para las condiciones adecuadas reducirá las lesiones personales. Se recomiendan guantes al cambiar las cuchillas.
- Evita el arranque accidental. Asegúrese de que el interruptor se encuentre en la posición de apagado antes de la conexión con la fuente de alimentación o el transporte de la herramienta.** El transporte de las herramientas motorizadas con el dedo en el interruptor o las herramientas motorizadas energizadas que tienen el interruptor en la posición de encendido pueden generar accidentes.
- Extraiga cualquier llave de ajuste antes de encender la herramienta motorizada.** Si deja una llave fijada a una pieza giratoria de la herramienta motorizada, podrían provocarse lesiones personales.
- No intente estirarse en exceso. Mantenga los pies bien colocados y el equilibrio en todo momento.** Esto permite lograr un mejor control de la herramienta motorizada en situaciones inesperadas.
- Utilice la vestimenta adecuada. No utilice vestimenta o joyas sueltas. Mantenga su cabello, vestimenta y guantes alejados de las piezas móviles.** La vestimenta floja, las joyas o el cabello largo pueden quedar atrapados por las piezas móviles.
- Si se proporcionan dispositivos para la conexión de equipos de extracción y recolección de polvo, asegúrese de que estén conectados y se utilicen de forma correcta.** El uso de la recolección de polvo puede reducir los peligros relacionados con el polvo.
- No permita que la confianza obtenida a partir del uso frecuente de las herramientas lo vuelva descuidado e ignore los principios de seguridad de las herramientas.** Una acción imprudente puede causar lesiones graves en una fracción de segundo.

4. Uso y mantenimiento de la herramienta motorizada

- No fuerce la herramienta motorizada. Utilice la herramienta motorizada correcta para su aplicación.** La herramienta motorizada correcta le permitirá realizar el trabajo de forma más eficiente y segura a la velocidad a la que fue diseñada.
- No utilice la herramienta motorizada si el interruptor no se puede colocar en la posición de encendido y apagado.** Cualquier herramienta motorizada que no pueda controlarse con el interruptor es peligrosa y deberá repararse.
- Desconecte el enchufe de la fuente de alimentación de la herramienta motorizada antes de realizar cualquier ajuste, cambiar accesorios o almacenar la herramienta motorizada.** Dichas medidas de seguridad de prevención reducen el riesgo de un arranque accidental de la herramienta motorizada.
- Almacene las herramientas motorizadas que no utilice lejos del alcance de los niños y no permita que personas que no están familiarizadas con la herramienta motorizada o sus instrucciones utilicen la herramienta motorizada.** Las herramientas motorizadas son peligrosas en las manos de usuarios no capacitados.
- Realice un mantenimiento de las herramientas motorizadas y accesorios. Compruebe si existe una alineación incorrecta o atasco de las piezas móviles, rotura de las piezas o cualquier otra condición que podría afectar el funcionamiento de la herramienta motorizada. Si está dañada, haga reparar la herramienta motorizada antes de su uso.** Muchos accidentes están causados por un mantenimiento incorrecto de las herramientas motorizadas.
- Mantenga las herramientas de corte afiladas y limpias.** Las herramientas de corte con un mantenimiento correcto y bordes de corte afilados están menos propensas a atascarse y son más fáciles de controlar.
- Utilice la herramienta motorizada, accesorios, puntas de herramientas, etc. de acuerdo con estas instrucciones, tomando en cuenta las condiciones de trabajo y la tarea que se realizará.** El uso de la herramienta motorizada para operaciones que sean diferentes de aquellas para las que se la diseñó podría derivar en una situación peligrosa.
- Mantenga secas, limpias y sin aceite y grasa las manijas y las superficies de agarre.** Las manijas y las superficies de agarre resbalosas no permiten una sujeción y control seguros de la herramienta en situaciones inesperadas.

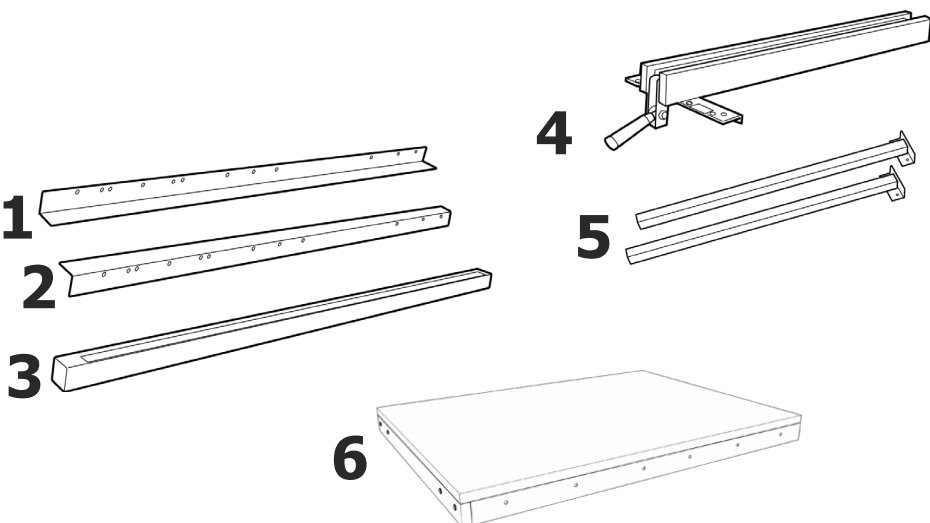
5. Servicio técnico

- Solicite el servicio técnico de su herramienta motorizada a una persona de reparación calificada que utilice únicamente piezas de reemplazo idénticas.** Esto garantizará que se mantenga la seguridad de la herramienta motorizada.

CONTENIDO DE LA CAJA

CONTENIDO DE LA CAJA

1. Carril guía delantero (1)
2. Carril guía trasero (1)
3. Tubo guía (1)
4. Carril de tope (1)
5. Patas de soporte (36-T50_{T3} únicamente) (2)
6. Mesa de extensión (36-T50_{T3} únicamente) (1)



PAQUETE DE HERRAJES

(incluido con el 36-T30_{T3})

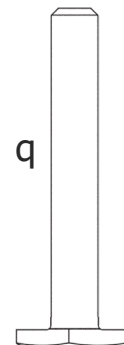
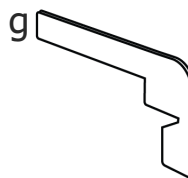
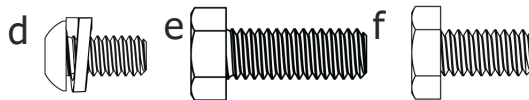
- a. Arandela de seguridad de 5/16" con dientes exteriores (14)
- b. Tuerca de brida hexagonal de 5/16" (17)
- c. Tornillo avellanado de 5/16" (8)
- d. Tornillo de cabeza troncocónica de 1/4" con arandela (4)
- e. Tornillo Allen hexagonal de 5/16" (17)
- f. Tornillo de cabeza hexagonal de 1/4-20 x 1/2" (2)
- g. Calibrador de alineación de carril (1)



PAQUETE DE HERRAJES

(se incluye con el 36-T50_{T3})

- a. Arandela de seguridad de 5/16" con dientes exteriores (10)
- b. Tuerca de brida hexagonal de 5/16" (13)
- c. Tornillo avellanado de 5/16" (6)
- d. Tornillo de cabeza troncocónica de 1/4" con arandela (6)
- e. Tornillo Allen hexagonal de 5/16" (13)
- f. Tornillo de cabeza hexagonal de 1/4-20 x 1/2" (2)
- g. Calibrador de alineación de carril (1)
- h. Arandelas planas de 7/32 x 1/2" (4)
- i. Tuerca hexagonal de 1/4-20" (12)
- j. Tuerca hexagonal de 3/8-16" (2)
- k. Tuerca hexagonal n.º 10 de 32" (4)
- l. Arandela plana de 5/16" x 5/8" (12)
- m. Pernos de cabeza troncocónica de 10-32 x 1 3/4" (4)
- n. Tornillos n.º 8 de 3/4" para madera (8)
- o. Tornillo de cabeza hexagonal de 1/4-20 x 1-1/2" (6)
- p. Tornillo avellanado de 1/4-20 x 1 1/2" (6)
- q. Patas niveladoras (2)



NOTA: Los accesorios DELTA® 36-T30_{T3} y 36-T50_{T3} están diseñados para usarse con una amplia variedad de sierras de mesa DELTA. También es posible instalar este sistema de guía en sierras de otras marcas. Este kit contiene una gran variedad de complementos de ferretería en varios tamaños y medidas, de los que sólo serán necesarios una parte para acoplar la guía a su sierra en particular. Use los accesorios de ferretería que más se adapten a su sierra y le permitan acoplar la guía y el tubo de guía de forma segura a su sierra.

ENSAMBLAJE

CONTENIDO DE LA CAJA

Extraiga cuidadosamente la máquina y todos los objetos sueltos de la(s) caja(s) de envío. Retire el aceite antióxido de las superficies no pintadas con un trapo suave humedecido en aceite mineral, aguarrás o alcohol de quemar.

⚠ PRECAUCIÓN: No utilice disolventes altamente volátiles como gasolina, nafta, acetona o disolvente de laca para limpiar su máquina. Después de limpiar, cubra las superficies sin pintar con una buena capa de cera en pasta de uso doméstico de buena calidad.

⚠ ADVERTENCIA Para reducir el riesgo de lesiones, apague la unidad y desconéctela de la fuente de energía antes de instalar o quitar accesorios, realizar ajustes o hacer reparaciones. Si la unidad se inicia de manera accidental, esto podría causar una lesión.

HERRAMIENTAS NECESARIAS

Llave hexagonal de 5/32 pulg. (incluida)
Llave hexagonal de 3/16 pulg. (incluida)
Guía de alineación de perfiles L (incluida)
Destornillador plano (no incluido)
Destornillador Phillips (no incluido)
Llave inglesa (no incluida)
Taladro y broca de 1/4 pulg. (no incluida)

INSTALAR EL PERFIL FRONTAL

1. Con el borde izquierdo del carril guía delantero (1) colocado cerca del brazo de extensión izquierdo, alinee ambos orificios de la mesa con ambos orificios del carril guía delantero, como se indica en la ubicación "A" de la **Figura 3**.
2. Asegure el carril guía delantero a la mesa con dos tornillos avellanados de 5/16" (c), arandelas de seguridad de 5/16" con dientes exteriores (a), y tuercas de brida hexagonales de 5/16" (b). Solo se debe ajustar con los dedos.
3. Asegúrese de que el carril guía delantero se encuentre en posición paralela a la superficie de la mesa de hierro fundido usando el calibrador de alineación de carril (g) para verificar la distancia desde la superficie superior del carril guía delantero a la superficie de la mesa en ambos lados de la mesa de la sierra.
4. Coloque el resto de los tornillos avellanados (c) en los orificios del carril guía delantero y los brazos de extensión usando arandelas de seguridad con dientes exteriores (a) y tuercas de brida hexagonales (b) según sea necesario. Asegúrese de que los brazos de extensión estén nivelados con la superficie de la mesa de hierro fundido.
5. Apriete todos los herrajes sujetando el carril guía delantero a la superficie de la mesa.

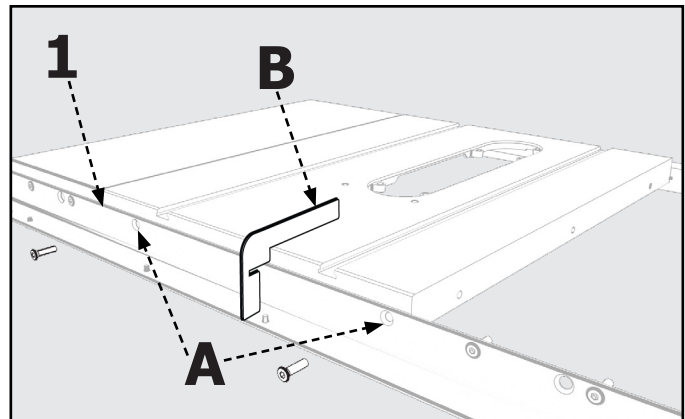


FIGURA 3

NOTA: El carril guía delantero y el carril guía trasero del 36-T50₁₃ tienen orificios adicionales en el extremo de extensión que se usan para sujetar una mesa de extensión. Si tiene pensado instalar una mesa de extensión a la mesa de su sierra, debe hacerlo antes de sujetar el tubo guía. En base al modelo de su sierra, es posible que no se usen algunos orificios en los carriles guía delantero y trasero.

ACOPLAR PERFIL TRASERO

1. Con el borde del carril guía trasero (1) colocado cerca del brazo de extensión izquierdo, alinee ambos orificios de la mesa con ambos orificios del carril guía trasero, como se indica en la ubicación "A" de la **Figura 4**.
2. Asegure el carril guía trasero a la mesa con dos tornillos Allen hexagonal de 5/16" (c), arandelas de seguridad de 5/16" con dientes exteriores (a), y tuercas de brida hexagonales de 5/16" (b). Solo se debe ajustar con los dedos.
3. Asegúrese de que el carril guía trasero se encuentre en posición paralela a la superficie de la mesa de hierro fundido usando el calibrador de alineación de carril (g) para verificar la distancia desde la superficie superior del carril guía trasero a la superficie de la mesa en ambos lados de la mesa de la sierra.
4. Coloque el resto de los tornillos Allen hexagonales (e) en los orificios del carril guía trasero y los brazos de extensión usando arandelas de seguridad con dientes exteriores (a) y tuercas de brida hexagonales (b) según sea necesario. Asegúrese de que los brazos de extensión estén nivelados con la superficie de la mesa de hierro fundido.
5. Apriete todos los herrajes sujetando el carril guía trasero a la superficie de la mesa.

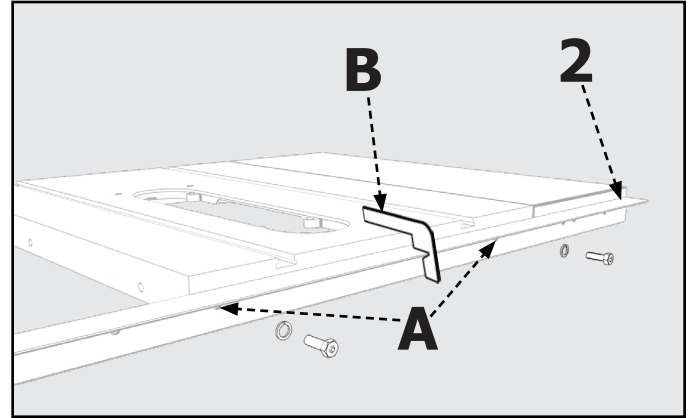


FIGURA 4

REACOPLANDO UN ALA DE EXTENSIÓN YA EXISTENTE

Si l'établi est muni d'une rallonge supplémentaire retirée lors du désassemblage des anciens rails de guide, l'installer à nouveau maintenant.

ACOPLANDO UN ALA DE EXTENSIÓN ADICIONAL

Si usted compró un ala adicional, instálela ahora usando los accesorios de ferretería incluidos con la guía.

1. Sujete el nuevo brazo de extensión al brazo existente usando 3 tornillos Allen hexagonales de 5/16" (e), arandelas de seguridad de 5/16" con dientes exteriores (a) y tuercas de brida hexagonales de 5/16" (b).
2. Sujete el carril guía delantero al nuevo brazo de extensión con tornillos avellanados de 5/16" (c).
3. Sujete el carril guía trasero al nuevo brazo de extensión usando tornillos Allen hexagonales de (e), arandelas de seguridad con dientes exteriores (a) y tuercas de brida hexagonales de (b) según sea necesario.

CONSTRUYENDO Y ACOPLANDO UNA MESA DE SOPORTE DE MADERA

(Únicamente para usar con el kit DELTA® 36-T50.)

Debido a la extensa longitud de los carriles DELTA® 36-T50, es necesario construir un soporte para la mesa de madera para colocar y soportar piezas de trabajo grandes.

Para construir un soporte para la mesa de madera, consulte la **Figura 5**.

La mesa de extensión adicional 36-T53, únicamente está disponible para usar con el modelo 36-T50.

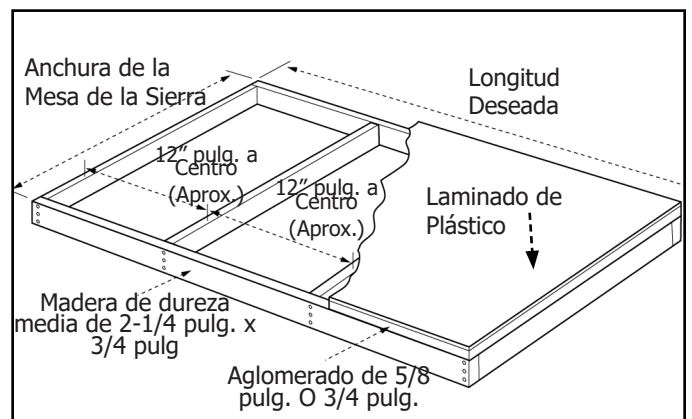


FIGURA 5

ENSAMBLAJE

Sujete las patas de la mesa (5) a la mesa de extensión (6) como se muestra en la **Figura 6**.

1. Coloque la mesa de extensión (6) con las patas hacia arriba en el suelo o un banco.
2. Coloque la pata de la mesa (5) en la esquina de la mesa de extensión (6) como se muestra en la **Figura 6**.
3. Sujete la pata a la tabla de la mesa con tornillos n.º 8 de 3/4" para madera (n). Perfore un orificio de 1/4" a través de ambos orificios del soporte (A) y el faldón de la mesa. Sujete la pata al faldón de la mesa usando pernos de cabeza troncocónica 10-32 x 1-3/4" (m), arandelas planas de 7/32 x 1/2" (h) y tuercas hexagonales n.º 10 de 3/2" (k).

Lo siguiente es fijar los pies ajustables roscados a cada pata tal y como indica la **Figura 7**.

1. Ensamble la tuerca hexagonal de 3/8-16" (j) a las patas niveladoras (q).
2. Ensarte las patas niveladoras en la parte inferior de la pata de la mesa (5).

NOTA: El ajuste de altura se realizará más tarde. Fije la mesa de extensión ensamblada a los rieles de guía delantero y trasero y la mesa de sierra.

3. Repita los pasos 1 y 2 para ensamblar la otra pata.
4. Coloque el ensamble de la mesa (6) en su correspondiente posición, entre ambos carriles, como se muestra la **Figura 8**. Asegúrese de que el borde de la mesa de la sierra (B) esté al ras de la mesa de extensión.
5. Usando un borde recto (C), asegúrese de que la mesa de extensión se encuentre en el mismo plano y nivel que la mesa de la sierra. Si fuese necesario, presione levemente hacia arriba o abajo y ajuste las patas niveladoras para que se pueda nivelar la mesa de extensión con la mesa de la sierra.
6. Use sujetadores de barra para sujetar la mesa de extensión a los carriles guía delantero y trasero como muestra la **Figura 9**.
7. Usando los orificios de ambos carriles como guía, como se muestra en la **Figura 9**, perfore orificios de 1/4" en la parte delantera y trasera de la mesa de extensión.
8. Sujete la mesa de extensión al carril guía delantero usando tornillos avellanados de 1/4-20 x 1-1/2" (p), arandelas planas de 5/16 x 5/8" (l) y tuercas hexagonales de 1/4-20" (i). Sujete la mesa de extensión al carril guía trasero usando tornillos de cabeza hexagonal de 1/4-20 x 1-1/2" (o) con las mismas arandelas planas (l) y tuercas hexagonales (i) que se usaron en el carril guía delantero.

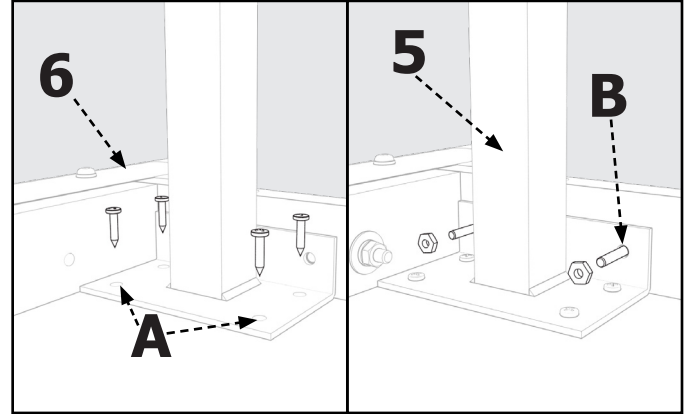


FIGURA 6

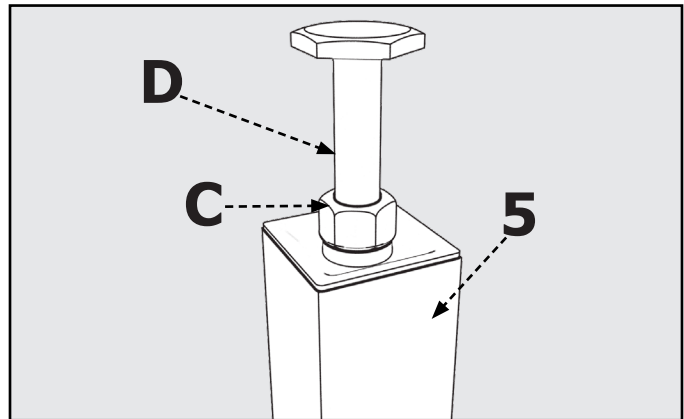


FIGURA 7

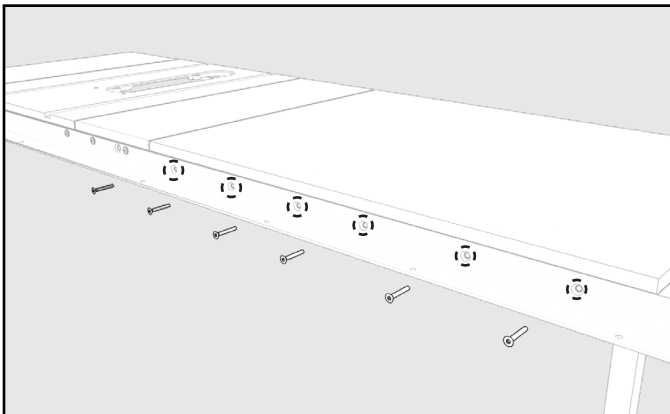


FIGURA 9

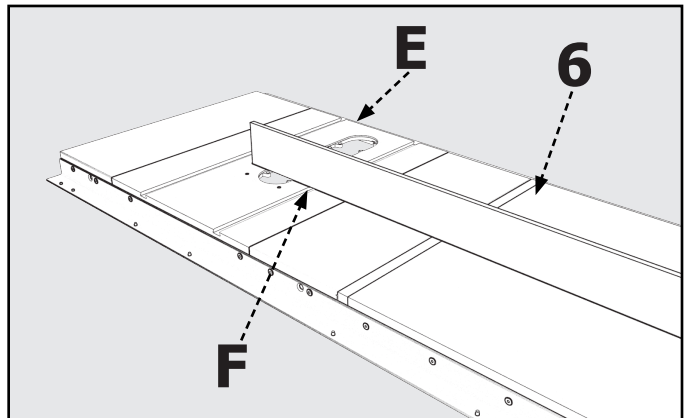


FIGURA 8

ACOPLAR EL TUBO GUÍA

1. Sujete el tubo guía del carril de tope (3) al carril guía delantero (1) usando 4 (para versiones de 30") o 6 (para versiones de 52") tornillos de cabeza troncocónica de 1/4" con arandela (d) a través de los orificios (B) en la parte inferior del carril guía delantero.

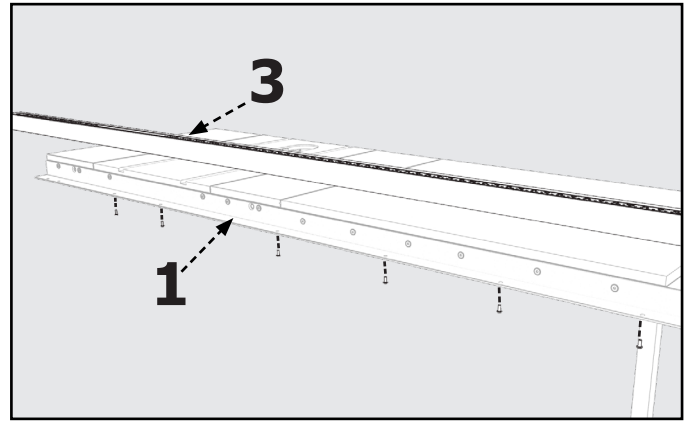


FIGURA 10

NOTA: Si quitó la barra separadora cuando desarmó el viejo sistema de cercado, vuelva a instalarlo ahora.

INSTALAR LA GUÍA

1. Coloque el carril de tope (4) en el tubo guía (3) y levante la palanca de sujeción (A).
2. Guíe el carril de tope en el carril guía trasero (2), como se muestra en la **Figura 11** y, con cuidado, empújela en el tubo guía (3).

Asegúrese de que el clip en la parte posterior de la guía se enganche en el riel guía trasero.

3. Empuje la palanca niveladora del carril de tope hacia abajo para fijarla en su lugar.

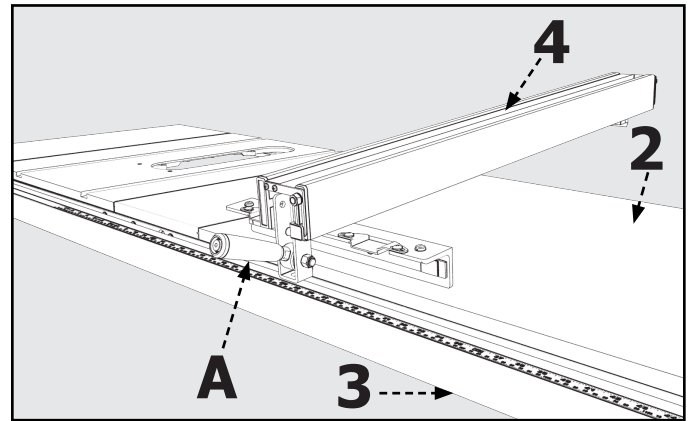


FIGURA 11

MANEJO Y AJUSTES

⚠ ADVERTENCIA Para reducir el riesgo de lesiones, apague la unidad y desconéctela de la fuente de energía antes de instalar o quitar accesorios, realizar ajustes o hacer reparaciones. Si la unidad se inicia de manera accidental, esto podría causar una lesión.

ALINEAR LA GUÍA A LAS RANURAS DE LA REGLA DE INGLETES

1. Mueva el carril de tope (4) hasta que el borde inferior esté alineado con el borde de una de las ranuras de la guía de ingletes (C).
2. Empuje la palanca niveladora del carril de tope (B) hacia abajo para fijarla en su lugar. El borde del carril de tope debe estar colocado en posición paralela a la ranura de la guía de ingletes.

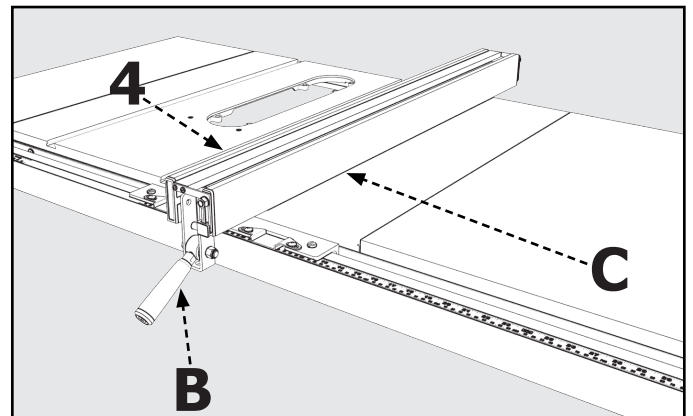


FIGURA 12

PARA AJUSTAR:

1. Levante la palanca niveladora del carril de tope y retire el carril de tope.
2. Apriete o afloje, levemente, uno de los dos tornillos de presión (A) como se muestra en la **Figura 13**, usando una llave Allen de 3 mm (no proporcionada).

IMPORTANTE: Es necesario que los tornillos de presión se muevan levemente para que se pueda ajustar el carril de tope.

3. Coloque el carril de tope en el tubo guía y verifique la alineación nuevamente.
4. Repita los pasos 1 a 3 hasta que el borde del carril de tope se encuentre en posición paralela a la ranura de la guía de ingletes.

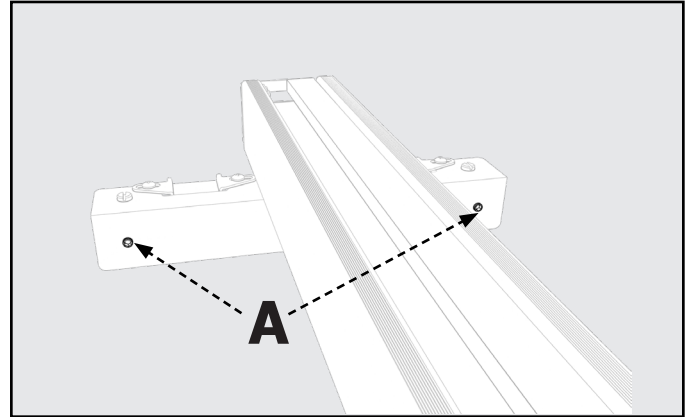


FIGURA 13

CUADRAR LA GUÍA CON LA MESA

⚠ ADVERTENCIA

Para reducir el riesgo de lesiones, apague la unidad y desconéctela de la fuente de energía antes de instalar o quitar accesorios, realizar ajustes o hacer reparaciones. Si la unidad se inicia de manera accidental, esto podría causar una lesión.

1. Fije el carril de tope en su lugar en la mesa.
2. Usando una regla T (B) en el medio del carril de tope, verifique si el carril de tope está en posición perpendicular a la mesa, como se muestra en la **Figura 14**.

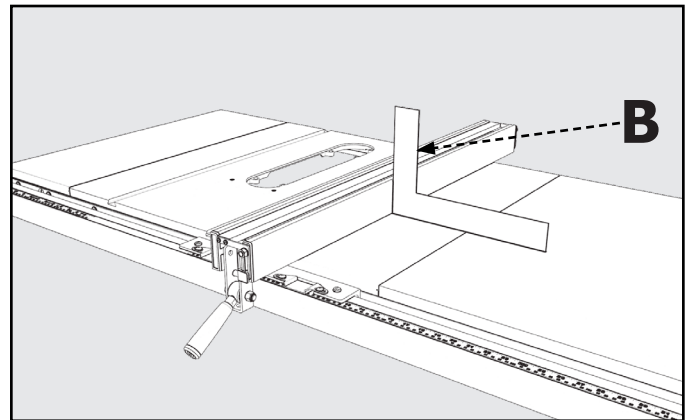


FIGURA 14

PARA AJUSTAR:

1. Para realizar algún ajuste, coloque los dos tornillos de presión de nailon (C) en la parte superior del carril de tope, como se muestra en la **Figura 15**.
2. Con un destornillador plano, gire los tornillos de presión de nailon para hacer que el carril de tope quede en posición perpendicular a la mesa.
3. Vuelva a verificar la alineación y, luego, ajuste los tornillos hasta que el borde del carril de tope quede en perpendicular a la mesa.

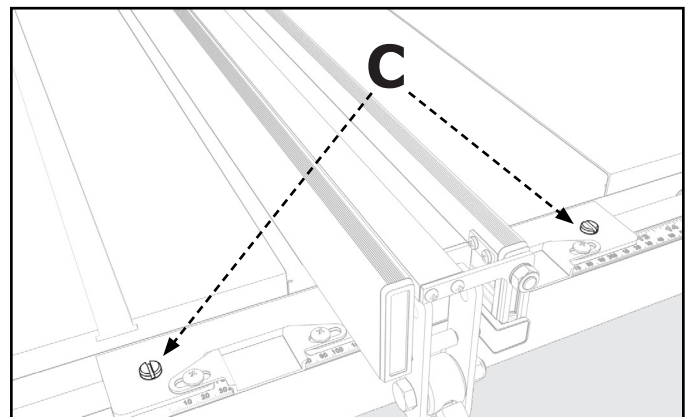


FIGURA 15

AJUSTANDO LA TENSIÓN DE LA PALANCA DE FIJACIÓN DE LA GUÍA

⚠ ADVERTENCIA Para reducir el riesgo de lesiones, apague la unidad y desconéctela de la fuente de energía antes de instalar o quitar accesorios, realizar ajustes o hacer reparaciones. Si la unidad se inicia de manera accidental, esto podría causar una lesión.

Cuando el carril de tope esté colocada contra el tubo guía y la palanca sujetadora (A) esté fijada, el ensamble del carril de tope (4) no se debería mover. Si el carril de tope se mueve o si es necesario aplicar fuerza hacia abajo en la palanca, entonces se debe ajustar la palanca de sujeción del carril de tope. Realice lo siguiente:

1. Levante la palanca de sujeción del carril de tope y retire el carril de tope.
2. Ubique los dos tornillos de ajuste (A), como se muestra en la **Figura 13**.
3. Use una llave Allen de 3 mm (no proporcionada) para ajustar los tornillos.
 - a. Si la palanca de sujeción del carril de tope está demasiado suelta, apriete los tornillos.
 - b. Si la palanca de sujeción del carril de tope está demasiado apretada, afloje los tornillos.

NOTA: Ambos tornillos deben ajustarse por la misma cuantía.

4. Coloque el carril de tope en el tubo guía y verifique la alineación nuevamente para comprobar si el ensamble del carril de tope se fija de manera fácil y segura.
5. Siga haciendo ajustes según sean necesarios.

IMPORTANTE: Luego de ajustar la palanca de sujeción del carril de tope, asegúrese de que el carril de tope se encuentre en posición paralela a la ranura de la guía de ingletes. Realice ajustes según sea necesario.

AJUSTAR EL PUNTERO DE LA REGLA

El puntero (C) indica la distancia entre el lado interno del carril de tope y la hoja. Para verificar la posición del puntero:

1. Coloque el carril de tope en el tubo guía y tenga en cuenta la posición indicada en el puntero.
2. Fije el carril de tope en su lugar presionando hacia abajo la palanca de sujeción del carril de tope.
3. Siguiendo las instrucciones de seguridad que se encuentran en el Manual de la sierra de mesa, haga un corte simple.
4. Mida la pieza de corte para garantizar que esté a la misma distancia que la que indica el puntero. Si la pieza no es la correcta, se debe ajustar el puntero. Para ello:

NOTA: No desbloquee la palanca de sujeción del carril de tope ni intente mover el carril de tope.

- a. Afloje ambos tornillos (D) y mueva, manualmente, el puntero para que coincida con el largo del corte de muestra.
- b. Apriete ambos tornillos y mueva el carril de tope al lado opuesto de la hoja para repetir los pasos anterior con el segundo puntero.

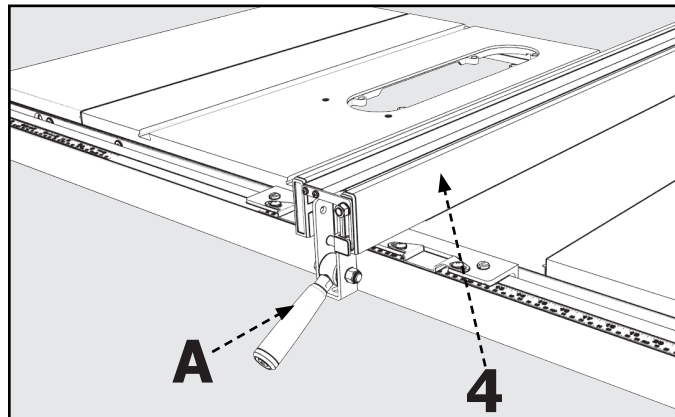


FIGURA 16

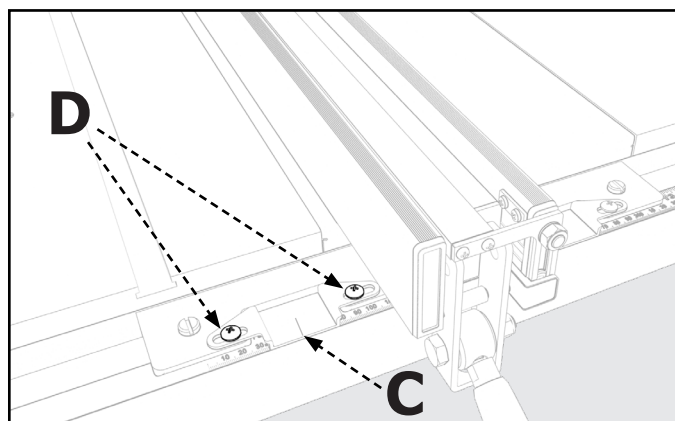


FIGURA 17

RESOLUCIÓN DE PROBLEMAS

Para solicitar ayuda con su máquina, visite nuestro sitio web en www.DeltaMachinery.com para obtener una lista de los centros de servicio o llame a atención al cliente de DELTA® Power Equipment al 1-800-223-7278.

MANTENIMIENTO

Para reducir el riesgo de lesiones, apague la unidad y desconéctela de la fuente de energía antes de instalar o quitar accesorios, realizar ajustes o hacer reparaciones. Si la unidad se inicia de manera accidental, esto podría causar una lesión.

MANTENGA LIMPIA LA MÁQUINA

Sopletee periódicamente todos los conductos de aire con aire comprimido seco. Todas las partes de plástico deben limpiarse con un paño húmedo y suave. NUNCA use solventes para limpiar las partes de plástico. Pueden disolver o dañar de alguna manera el material.

Use equipo de seguridad certificado para protección ocular, auditiva y respiratoria al usar aire comprimido.

Para obtener el mejor rendimiento, use una aspiradora o soplador para mantener el área de la hoja de sierra, el sistema de recolección de polvo, el sistema de protección y los rieles libres de polvo de sierra y otros desechos.

LUBRICACIÓN Y PROTECCIÓN CONTRA OXIDACIÓN

Ocasionalmente aplique cera en pasta para pisos de madera a la mesa de la máquina o use un producto protector disponible comercialmente diseñado para este propósito. Siga las instrucciones del fabricante para su uso y seguridad.

Para limpiar la oxidación de las mesas de hierro fundido, necesitará los siguientes materiales:

una almohadilla para tallar de tamaño mediano, una lata de lubricante en rociador y una lata de desengrasante. Aplique el lubricante en rociador y pule la superficie de la mesa con la almohadilla para tallar. Desengrase la mesa, luego aplique el producto protector como se describió anteriormente.

RECORDATORIOS DE MANTENIMIENTO

Use equipo de seguridad certificado para protección ocular, auditiva y respiratoria al usar aire comprimido.

Áreas específicas que requieren de un mantenimiento frecuente incluyen:

PLACA DE SUJECIÓN DEL SEPARADOR: Mantenga esta área libre de polvo y acumulación de basura. Limpie el área frecuentemente con aire comprimido.

ENGRANAJES SINFIN: Mantenga los engranajes sinfin libres de polvo y acumulación de basura. Limpie el área frecuentemente con aire comprimido. Use una grasa multipropósito a base de litio según sea necesario en estos engranajes.

LIMPIE PERIÓDICAMENTE LA ACUMULACIÓN DE ASERRÍN EN EL GABINETE: NOTA: La basura también puede limpiarse de la sierra desde abajo de la placa de garganta, dentro del puerto de polvo.

NOTA: Si la abrazadera del separador no se mueve libremente, pida que la sierra sea reparada por el personal de un centro de servicio de DELTA® Power Equipment.

ENGRASADO DE LA GUÍA

1. Aplique, una vez por semana, cera en pasta al carril de tope y las superficies deslizantes del tubo guía.
2. Aplique, de manera ocasional, grasa a la cerradura y base de la leva (A), como se muestra en la **Figura 18**, para evitar el desgaste.

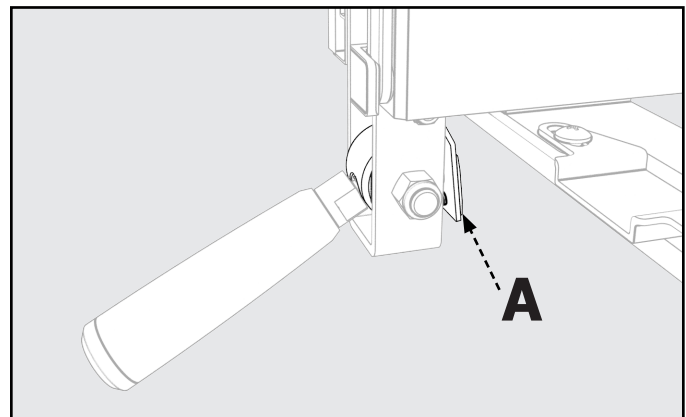


FIGURA 18

ACCESORIOS

Para obtener información sobre los accesorios, visite nuestro sitio web para acceder a un catálogo en línea o para encontrar el nombre de su distribuidor más cercano.

⚠ ADVERTENCIA: Puesto que los accesorios distintos a los ofrecidos por DELTA® aún no han sido probados con este producto, el uso de dichos accesorios podría ser peligroso. Para lograr el funcionamiento más seguro, solo deben usarse accesorios recomendados por DELTA® con este producto.

ASISTENCIA PARA PIEZAS, SERVICIO O GARANTÍA

Todas las máquinas y accesorios DELTA® están fabricados con los estándares de calidad más altos y su servicio técnico es realizado a través de una red de centros de servicio técnico autorizados. Para obtener información adicional relacionada con el producto o para obtener piezas, solicitar el servicio técnico o asistencia en garantía, o conocer la ubicación del centro de servicio técnico más cercano, comuníquese al 1-800-223-7278.

Garantía limitada de 2 años

1. COBERTURA. Delta Power Equipment Corporation (en adelante, "la Empresa"), reparará o reemplazará, a su sola opción, este producto, si se adquirió en un comercio minorista de los Estados Unidos y Canadá y se demostró que el producto, con su uso normal, tiene defectos en los materiales o mano de obra, sujeto a las condiciones establecidas en esta garantía limitada. Esta garantía limitada cubre únicamente materiales y mano de obra. Todos los costos de transporte quedan a cargo del cliente.

2. PERÍODO DE GARANTÍA. Todos los reclamos en garantía deberán enviarse en el plazo de 2 años a partir de la fecha de la compra en el comercio minorista. En el caso de piezas de reemplazo y productos reacondicionados de fábrica, el período de garantía será de 180 días.

3. CÓMO OBTENER EL SERVICIO TÉCNICO EN GARANTÍA. A fin de obtener el servicio técnico en garantía, deberá devolver el producto defectuoso, a cuenta propia, a un centro de servicio técnico autorizado por la Empresa para la ejecución del servicio técnico en garantía (un "Centro de servicio técnico autorizado por la Empresa") dentro del período de garantía aplicable, junto con un comprobante de compra válido, como el recibo original que incluya la fecha de compra o un número de registro del producto. La Empresa se reserva el derecho de restringir el servicio técnico en garantía al país donde se realizó la compra y/o cobrar por el costo de exportar las piezas de reemplazo u ofrecer el servicio técnico en garantía en otro país. Para este propósito, las compras en línea se consideran como realizadas en los Estados Unidos. Para conocer la ubicación del Centro de servicio técnico autorizado por la empresa más cercano, comuníquese con el Centro de atención al cliente de la empresa al 1-800-223-7278.

4. EXCLUSIONES.

- La Empresa no ofrece ninguna garantía a productos adquiridos en condición de usados o dañados.
- La Empresa no concede ninguna garantía a productos adquiridos fuera de los Estados Unidos o Canadá.
- La Empresa no será responsable de ningún daño que surja a partir del desgaste normal, uso indebido, uso incorrecto o cualquier reparación o modificación realizada por personas que no pertenezcan al Centro de servicio técnico autorizado de la Empresa o no sean un representante designado del Centro de atención al cliente de la Empresa.

Todas las GARANTÍAS IMPLÍCITAS están limitadas al período de garantía establecido anteriormente.

La Empresa no será responsable de daños **ACCIDENTALES O CONSECUENTES.**

Esta garantía es la única garantía de la Empresa y se establece como la reparación exclusiva del cliente, con respecto a productos defectuosos; la Empresa desconoce todas las otras garantías, expresas o implícitas, sean de comerciabilidad, adecuación para un propósito, excepto que se detalle explícitamente en esta declaración de garantía.

Algunos estados no permiten la exclusión o limitación de los daños accidentales o consecuentes, ni la limitación de las garantías implícitas, por lo tanto, las limitaciones o exclusiones anteriores podrían no aplicarse a su caso. Esta garantía le concede derechos legales específicos y es posible que posea otros derechos, que varían en determinados estados o provincias. Para obtener información detallada sobre la cobertura de la garantía e información sobre la reparación en garantía, comuníquese al 1-800-223-7278. Para registrar sus productos en línea, le recomendamos que visite nuestro sitio web y se registre para obtener una cuenta de miembro de DELTA® gratuita en <http://www.deltamachinery.com/register>.

LATINOAMÉRICA: Esta garantía no se aplica a productos comercializados en Latinoamérica. Para productos vendidos en América Latina, llame a la empresa local o visite el sitio web para obtener información sobre la garantía.

PIEZAS DE REEMPLAZO

Utilice solamente piezas de reemplazo idénticas. Para obtener una lista de las piezas o solicitar piezas, visite nuestro sitio web en www.DeltaMachinery.com/service. También puede solicitar las piezas a través del Centro de servicio técnico en garantía autorizado más cercano o comunicándose con el gerente de servicio técnico al 1-800-223-7278 para recibir asistencia personalizada de uno de nuestros representantes altamente capacitados.

REEMPLAZO GRATIS DE LAS ETIQUETAS DE ADVERTENCIA

Si sus etiquetas de advertencia se tornan ilegibles o faltasen, llame al 1-800-223-7278 para obtener etiquetas gratis de reemplazo.

MANTENIMIENTO Y REPARACIONES

Todas las herramientas de alta calidad requerirán eventualmente el mantenimiento y/o reemplazo de las piezas. Para obtener información sobre Delta Power Equipment Corporation, sus filiales con fábricas propias o para encontrar un Centro de servicio técnico en garantía autorizado, visite nuestro sitio web www.DeltaMachinery.com/service o comuníquese con el servicio de atención al cliente al 1-800-223-7278. Todas las reparaciones realizadas por nuestros centros de servicio técnico están totalmente garantizadas frente a defectos en los materiales y mano de obra. No podemos ofrecer una garantía para las reparaciones realizadas o intentadas realizar por otras personas. Al comunicarse con este número, también puede encontrar respuestas a las preguntas más frecuentes las 24 horas del día.

También puede escribirnos para obtener más información a la siguiente dirección: Delta Power Equipment Corporation, 2651 New Cut Road, Spartanburg, SC 29303 -

A la atención de: Gerente de servicio técnico. Asegúrese de incluir toda la información que aparece en la placa de identificación de la sierra (modelo, tipo, número de sierra, código de fecha, etc.).

**2651 New Cut Road
Spartanburg, SC 29303
(800) 223-7278**

www.DeltaMachinery.com

©Copyright 2020 Delta Power Equipment Corporation

DPEC006280

Rev:3

03/05/2020

