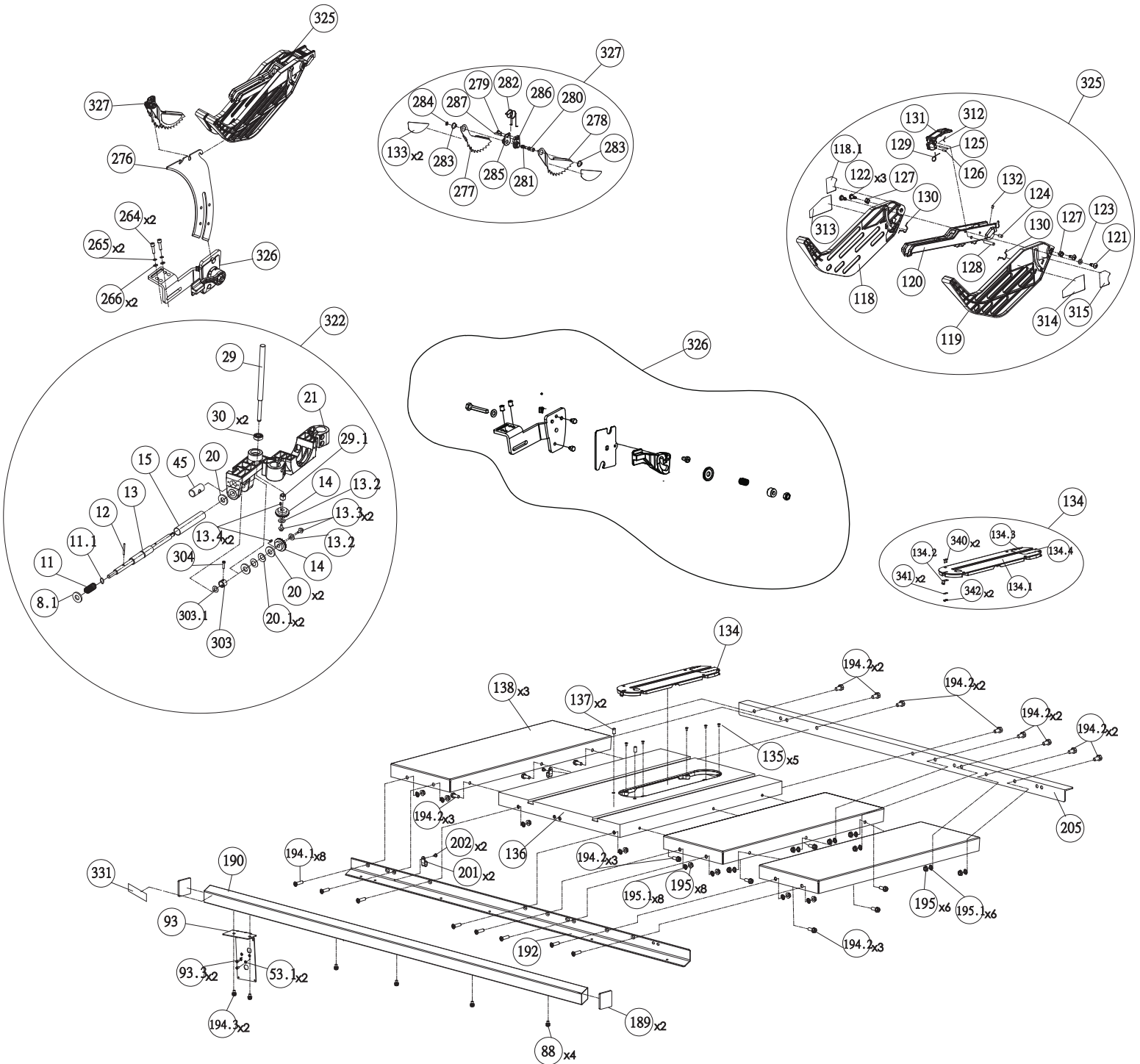




TS-56
PART #:DPEC006008
DATE: 11-22-2019
REVISED: 12-22-2022

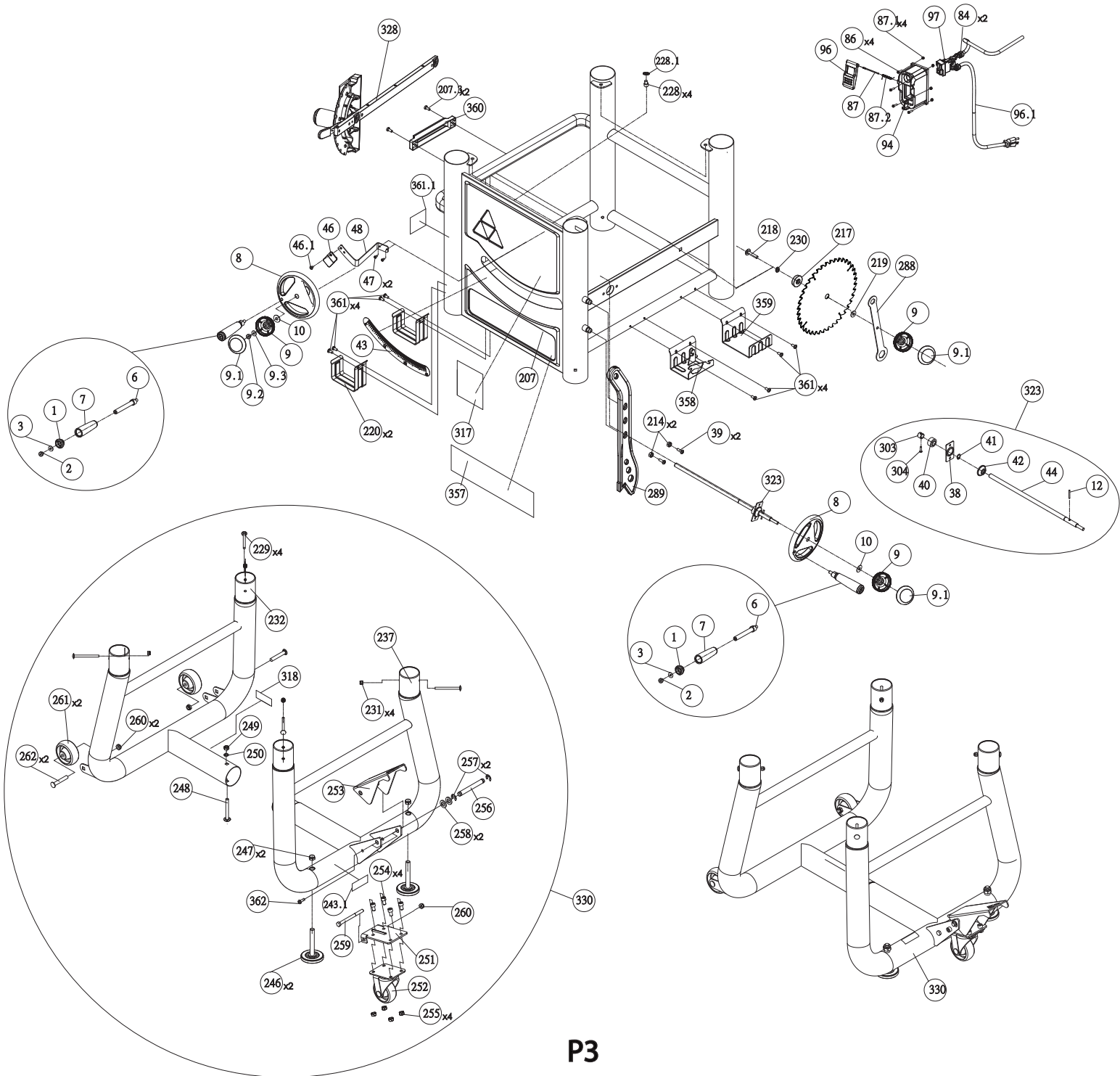
36-500T2, 36-5100T2, 36-5052T2, & 36-5152T2 CONTRACTOR SAWS





TS-56
PART #:DPEC006008
DATE: 11-22-2019
REVISED: 12-22-2022

36-500T2, 36-5100T2, 36-5052T2, & 36-5152T2 CONTRACTOR SAWS

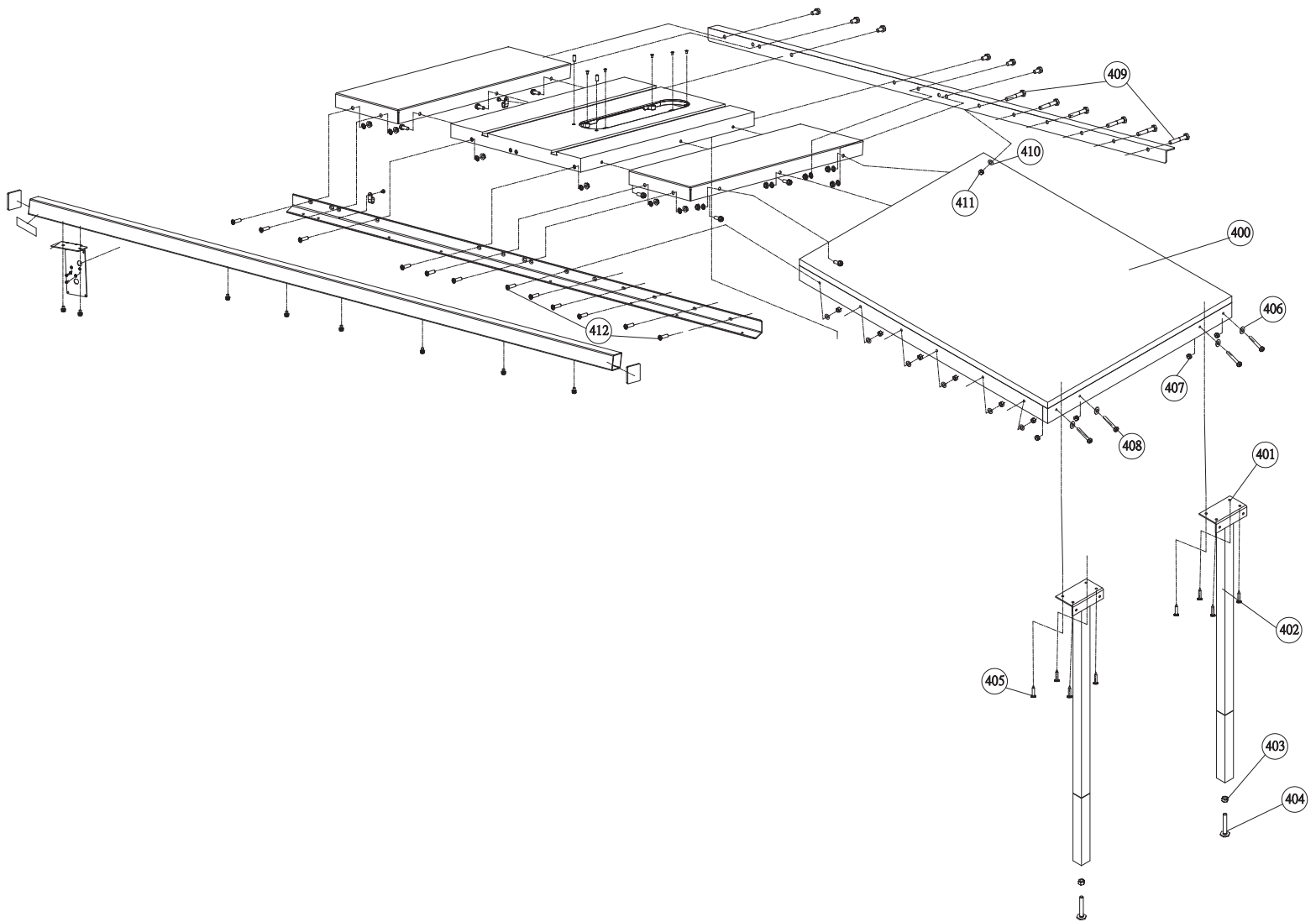




TS-56
PART #:DPEC006008
DATE: 11-22-2019
REVISED: 12-22-2022

36-5000T2, 36-5100T2, 36-5052T2, & 36-5152T2 CONTRACTOR SAWS

NOTE: THE FOLLOWING PARTS ARE FOR THE 36-5052T2 AND 36-5152T2



REPLACEMENT PARTS

ITEM #	DELTA PART #	DESCRIPTION	5000	5100	5052	5152	ITEM #	DELTA PART #	DESCRIPTION	5000	5100	5052	5152
1	DPEC002896	Handle cap	3	3	3	3	46	DPEC006014	Bevel indicator	1	1	1	1
2	DPEC002897	Hex socket screw	2	2	2	2	46.1	DPEC006015	Flat round head Phillips screw	1	1	1	1
2.1	DPEC002973	Hex socket screw	1	1	1	1	47	DPEC003024	Phillips Round Head M4 X 8	2	2	2	2
3	DPEC002974	Flat washer	2	2	2	2	48	DPEC003023	Bevel Scale Base	1	1	1	1
3.1	DPEC002975	Flat washer	1	1	1	1	49	DPEC006017	Trunnion	2	2	2	2
6	DPEC002976	Handle shaft	2	2	2	2	49.1	DPEC006018	Front cover plate	1	1	1	1
6.1	DPEC002977	Fence handle shaft	1	1	1	1	49.2	DPEC006019	Rear cover plate	1	1	1	1
7	DPEC002978	Handle	3	3	3	3	50	DPEC006020	Flat head torx screw	8	8	8	8
8	DPEC003048	Handwheel	2	1	1	1	51	DPEC006021	Motor cover (front)	1	1	1	1
8.1	DPEC003049	Flat washer	1	1	1	1	51.1	DPEC006022	Belt adjustment shaft	1	1	1	1
9	DPEC003050	Handwheel fix knob	3	1	1	1	51.2	DPEC006240	Flat washer	1	1	1	1
9.1	DPEC003051	Handwheel fix knob cap	3	1	1	1	51.3	DPEC006024	C-ring	1	1	1	1
9.2	DPEC003052	Hex socket screw	1	1	1	1	51.4	DPEC006025	Torx hex head screw	1	1	1	1
9.3	DPEC003053	Flat washer	1	1	1	1	51.5	DPEC006026	Flat washer	1	1	1	1
10	DPEC003054	Flat washer	2	2	2	2	51.6	DPEC003575	M8 Spring Washer	1	1	1	1
11	DPEC003055	Compression spring	1	1	1	1	52	DPEC006027	Motor cover (rear)	1	1	1	1
11.1	DPEC003056	O-ring	1	1	1	1	53	DPEC006028	Motor cover (up)	1	1	1	1
12	DPEC003057	Spring pin	2	2	2	2	53.1	DPEC006029	Tooth washer	3	1	1	1
13	DPEC003058	Height adjustment rod	1	1	1	1	53.2	DPEC006030	Flat head self tapping screw	1	1	1	1
13.2	DPEC003059	8 x 16 x 1t Flat Washer	2	2	2	2	54	DPEC006031	Motor cover (down)	1	1	1	1
13.3	DPEC003414	Hex Head Screw M4 X 12	2	2	2	2	55	DPEC006032	Fix shelf	1	1	1	1
13.4	DPEC003411	Flat Key	2	2	2	2	56	DPEC006033	Fan cover	1	1	1	1
14	DPEC003412	Bevel Gear	2	2	2	2	57	DPEC006034	Brake pad	2	2	2	2
15	DPEC003060	Height adjustment rod sleeve	1	1	1	1	58	DPEC006035	Slide plate	1	1	1	1
20	DPEC003061	Flat washer	3	3	3	3	59	DPEC006036	Pin	2	2	2	2
20.1	DPEC003062	Conical washer	2	2	2	2	60	DPEC006037	Compression spring	1	1	1	1
21	DPEC003063	Lower slide rod base	1	1	1	1	64	DPEC003209	Capacitor	1	1	1	1
22	DPEC003064	Front support bracket	1	1	1	1	65	DPEC003210	Starter Capacitor	1	1	1	1
23	DPEC003065	Rear support bracket	1	1	1	1	67	DPEC006038	Stator screw	4	4	4	4
24	DPEC002946	Wear Plate	2	2	2	2	67.1	DPEC006039	Hex nut	4	4	4	4
25	DPEC002944	Phillips Head Screw M4 x 6	4	4	4	4	67.2	DPEC002910	Washer Spring M5	4	4	4	4
26	DPEC002957	Sliding Rod	1	1	1	1	67.3	DPEC005845	Round Philips Screw M4 X 10	4	4	4	4
27	DPEC003066	Hex socket screw	8	8	8	8	67.4	DPEC006040	Overload protector	1	1	1	1
28	DPEC003067	Set screw	2	2	2	2	68	DPEC006041	Down cover screw	2	2	2	2
29	DPEC003068	Lift rod	1	1	1	1	70	DPEC006042	Armature bearing Assy.	1	1	1	1
29.1	DPEC003069	Lift rod sleeve	1	1	1	1	71	DPEC006043	Start switch	1	1	1	1
29.2	DPEC005769	Hex socket head screw	1	1	1	1	72	DPEC006044	Switch shelf	1	1	1	1
29.3	DPEC003012	Flat washer	1	1	1	1	73	DPEC006045	Round head Phillips screw	2	2	2	2
29.4	DPEC002910	Washer Spring M5	1	1	1	1	75	DPEC005708	Spring washer	1	1	1	1
29.5	DPEC006009	Flat washer	1	1	1	1	76	DPEC006046	Plastic washer	4	4	4	4
30	DPEC004732	Ball Bearing	2	2	2	2	77	DPEC006047	Stator Assy.	1	1	1	1
32	DPEC006010	Lift sleeve	1	1	1	1	78	DPEC006048	Fan	1	1	1	1
33	DPEC005769	Hex socket head screw	2	2	2	2	79	DPEC006049	Clutch	1	1	1	1
34	DPEC006011	Linear bearing	4	4	4	4	80	DPEC006050	Centrifugal iron plate	2	2	2	2
36	DPEC004262	C-Ring	2	2	2	2	81	DPEC006051	Tension spring	2	2	2	2
37	DPEC002958	Support Sliding Rod	1	1	1	1	84	DPEC004027	Cable Clamp	2	3	3	3
38	DPEC006246	Bearing fix plate	1	1	1	1	86	DPEC002941	Phillips Head Screw M4 X 18	4	4	4	4
39	DPEC006012	Round head hex screw	2	2	2	2	87	DPEC006052	Switch shaft	1	1	1	1
40	DPEC006245	Universal bearing	1	1	1	1	87.1	DPEC006053	Lock nut	4	4	4	4
41	DPEC006243	C-ring	1	1	1	1	87.2	DPEC005767	Switch torsion spring	1	1	1	1
42	DPEC006247	Bevel fix plate	1	1	1	1	88	DPEC006054	Pan head hex socket screw	4	4	6	6
43	DPEC002736	Bevel Scale (Blade Tilt)	1	1	1	1	93	DPEC002934	Switch Box Base	1	1	1	1
44	DPEC006248	Bevel rod	1	1	1	1	93.3	DPEC002944	Phillips Screw M4 x 6	2	2	2	2
45	DPEC006013	Bevel nut	1	1	1	1	94	DPEC006055	Switch box	1	1	1	1

***** = Item is standard hardware and should be purchased from a local hardware or home improvement store. Colors may vary.**

REPLACEMENT PARTS

ITEM #	DELTA PART #	DESCRIPTION	5000	5100	5052	5152	ITEM #	DELTA PART #	DESCRIPTION	5000	5100	5052	5152
96	DPEC005763	Switch trigger	1	1	1	1	168	DPEC006096	Rear hook plate	1	1	1	1
96.1	DPEC006056	Power wire	1	1	1	1	169	DPEC006097	Round head Phillips screw	2	2	2	2
97	DPEC005673	Switch	1	1	1	1	172	DPEC006098	Clamp plate	1	1	1	1
98	DPEC005010	Ball Bearing	1	1	1	1	173	DPEC006099	Set screw	2	2	2	2
99	DPEC006215	Flat head screw	2	2	2	2	174	DPEC006100	Square pad	3	3	3	3
100	DPEC006057	Needle bearing	1	1	1	1	175	DPEC004389	Plastic Fence Screw M12 X 11	2	2	2	2
101	DPEC006249	Fixed ring	1	1	1	1	176	DPEC006101	Fence indicator	2	2	2	2
102	DPEC006216	Shaft	1	1	1	1	177	DPEC006102	Flat head Phillips screw	4	4	4	4
103.1	DPEC006058	Ball bearing	1	1	1	1	182	DPEC006103	Hex head screw	1	1	1	1
103.2	DPEC006059	Ball bearing	1	1	1	1	183	DPEC006104	Hex head screw	1	1	1	1
105	DPEC006217	Bearing cover	1	1	1	1	184	DPEC006984	Self-locking nut	1	1	1	1
107	DPEC006060	Round head Phillips screw	3	3	3	3	185	DPEC006105	Lock nut	1	1	1	1
108	DPEC006061	Blade lock Pin	1	1	1	1	186	DPEC006106	Cam	1	1	1	1
109	DPEC004999	Spindle Lock Pin Pressing Plate	1	1	1	1	187	DPEC006107	Lower-guided board	1	1	1	1
110	DPEC006062	Press buckle	1	1	1	1	189	DPEC002928	Tube End Cap	2	2	2	2
111	DPEC006063	Compression spring	1	1	1	1	190	DPEC003254	Front Guide Tube 52"	1	1	--	--
114	DPEC006064	Blade	1	1	1	1	190	DPEC006269	Guide tube	--	--	1	1
115	DPEC006250	Inner blade flange	1	1	1	1	192	DPEC003255	Front Rail 52"	1	1	--	--
116	DPEC002961	Blade Flange	1	1	1	1	192	DPEC006270	Front fence rail	--	--	1	1
117	DPEC002962	Blade Nut	1	1	1	1	194.1	DPEC006108	Special flat head Phillips screw	8	8	6	6
118	DPEC005728	Left blade guard	1	1	1	1	194.2	DPEC006109	Hex socket screw	17	17	15	15
118.1	DPEC003596	LOGO Label	1	1	1	1	194.3	DPEC006110	1/4-20 x 1/2 inch Hex Screw	2	2	2	2
119	DPEC005730	Right blade guard	1	1	1	1	195	DPEC006111	5/16-18 Hex Flange Nut	17	14	13	10
120	DPEC006230	Blade frame	1	1	1	1	201	DPEC004623	Clamp	3	3	3	3
121	DPEC006251	Pan head shoulder screw	1	1	1	1	202	DPEC006113	Round head Phillips screw	3	3	3	3
122	DPEC006213	Pan head shoulder screw	3	3	3	3	205	DPEC003256	Rear Rail 52"	1	1	1	1
123	DPEC005726	Plastic flat washer	1	1	1	1	207	DPEC006114	Cabinet Assy.	1	1	1	1
124	DPEC006252	Pin	1	1	1	1	207.3	DPEC006115	Torx screw	2	2	2	2
125	DPEC006253	Pin	1	1	1	1	214	DPEC005679	Lock nut	2	2	2	2
126	DPEC006254	Pin	1	1	1	1	217	DPEC006116	Blade fix plate	1	1	1	1
127	DPEC005729	Blade guard sleeve	2	2	2	2	218	DPEC006117	Carriage screw	1	1	1	1
128	DPEC006255	Blade guard shaft	1	1	1	1	219	DPEC006118	Rubber flat washer	1	1	1	1
129	DPEC005724	Convolute Spring	1	1	1	1	220	DPEC006119	Fence storage base	2	2	2	2
130	DPEC005727	Fixed Spring	2	2	2	2	228	DPEC006120	Hex socket screw	4	4	4	4
131	DPEC006231	Frame tab	1	1	1	1	228.1	DPEC006121	Tooth washer	1	1	1	1
132	DPEC006236	Set screw	1	1	1	1	229	DPEC006122	Carriage screw	4	4	4	4
133	DPEC004409	Anti Kick Pawls Warning Label	2	2	2	2	230	DPEC006123	Speeder nut	1	1	1	1
134	DPEC006065	Throat plate Assy.	1	1	1	1	231	DPEC005679	Lock nut	4	4	4	4
134.1	DPEC006220	Throat plate	1	1	1	1	232	DPEC006124	Left stand Assy.	1	1	1	1
134.2	DPEC006214	Hook plate	1	1	1	1	237	DPEC006125	Right stand Assy.	1	1	1	1
134.3	DPEC006221	Wear plate (left)	1	1	1	1	243.1	DPEC003046	Warning Label	1	1	1	1
134.4	DPEC006222	Wear plate (right)	1	1	1	1	246	DPEC006126	Foot pad Assy.	2	2	2	2
135	DPEC002913	Screw Flat Head M5 x 10	5	5	5	5	247	DPEC003379	Lock Nut M12	2	2	2	2
136	DPEC006066	Table	1	1	1	1	248	DPEC006128	Carriage screw	1	1	1	1
137	DPEC002914	Set Screw M10 x 16	2	2	2	2	249	DPEC005733	Lock nut	1	1	1	1
138	DPEC002916	Extension Wing	3	1	2	--	250	DPEC003575	Spring Washer M8	1	1	1	1
139	DPEC006256	Extension wing	--	2	--	2	251	DPEC003044	Plate	1	1	1	1
158	DPEC006089	Fence tube	1	1	1	1	252	DPEC003045	Caster	1	1	1	1
159	DPEC006090	Aluminum tube	1	2	2	2	253	DPEC003251	Foot pedal Gray	1	1	1	1
160	DPEC006091	Aluminum tube end cap	2	2	2	2	254	DPEC006129	Hex socket screw	4	4	4	4
161	DPEC006092	Hex head screw	6	6	6	6	255	DPEC005733	Lock nut	4	4	4	4
162	DPEC003368	Flat Washer 10.2 X 25 X 2	6	6	6	6	256	DPEC006130	Pedal shaft	1	1	1	1
164	DPEC006093	Hex nut	6	6	6	6	257	DPEC006131	E-ring	2	2	2	2
165	DPEC006094	S washer	6	6	6	6	258	DPEC006132	Flat washer	2	2	2	2
167	DPEC006095	Rear slider	1	1	1	1	259	DPEC006133	Hex head screw	1	1	1	1

*** = Item is standard hardware and should be purchased from a local hardware or home improvement store. Colors may vary.

REPLACEMENT PARTS

ITEM #	DELTA PART #	DESCRIPTION	5000	5100	5052	5152	ITEM #	DELTA PART #	DESCRIPTION	5000	5100	5052	5152
260	DPEC005733	Lock nut	3	3	3	3	326	DPEC007347	Riving Knife Assy.	1	1	1	1
261	DPEC003032	Wheel	2	2	2	2	327	DPEC006165	Anti-kick pawls Assy.	1	1	1	1
262	DPEC006134	Carriage shoulder screw	2	2	2	2	328	DPEC006166	Miter gauge Assy.	1	1	1	1
264	DPEC002909	Screw Hex Socket M5 X 20	2	2	2	2	329	DPEC006167	Fence Assy.	1	1	1	1
265	DPEC002910	Washer Spring M5	2	2	2	2	330	DPEC006168	Stand Assy.	1	1	1	1
266	DPEC006009	Flat washer	2	1	2	2	331	DPEC002705	Warning Label	1	1	1	1
276	DPEC006136	Riving knife	1	1	1	1	334	DPEC006169	Fiber for anti-dust (right)	1	1	1	1
277	DPEC006219	Anti-kick pawl (left)	1	1	1	1	334.1	DPEC006170	Pan head screw	8	8	8	8
278	DPEC006208	Anti-kick pawl (right)	1	1	1	1	335	DPEC006171	Press plate for fiber (right top)	1	1	1	1
279	DPEC003024	Phillips Round Head M4 X 8	1	1	1	1	336	DPEC006172	Press plate for fiber (right bottom)	1	1	1	1
280	DPEC006209	Fix shaft	1	1	1	1	337	DPEC006173	Fiber for anti-dust (left)	1	1	1	1
281	DPEC006210	Compression spring	1	1	1	1	338	DPEC005663	Round head self tapping screw	16	14	14	14
282	DPEC006211	Dual convolute spring	1	1	1	1	339	DPEC006174	Press plate for fiber (left)	2	2	2	2
283	DPEC006024	C-ring	2	2	2	2	340	DPEC006234	Flat head screw	2	2	2	2
284	DPEC006244	E-ring	1	1	1	1	341	DPEC006238	Flat washer	2	2	2	2
285	DPEC006226	Left fixed plate	1	1	1	1	342	DPEC006237	Lock nut	2	2	2	2
286	DPEC006227	Right fixed plate	1	1	1	1	343	DPEC006018	Front cover plate	--	1	1	1
287	DPEC006137	Spring pin	1	1	1	1	343	DPEC006175	Fence front end cap	1	1	1	1
288	DPEC002982	Ring Spanner Hex	1	1	1	1	344	DPEC006019	Rear cover plate	--	1	1	1
289	DPEC003643	Push Stick	1	1	1	1	344	DPEC006176	Fence rear end cap	1	1	1	1
290	DPEC003253	Dust chute Black	1	1	1	1	345	DPEC006177	Lower-guided board shaft	2	2	2	2
291	DPEC007343	Dust Chute Outer Cover	1	1	1	1	346	DPEC006178	Lower-guided board	1	1	1	1
292	DPEC006139	Dust chute cover (inner)	1	1	1	1	347	DPEC006179	Lower-guided board link rod	2	2	2	2
293	DPEC007344	Dust Plate	1	1	1	1	348	DPEC006180	Round Phillips screw	12	4	4	4
295	DPEC006141	Dust chute hook (small)	1	1	1	1	349	DPEC006181	Flat washer	4	4	4	4
296	DPEC006142	Screw sleeve	5	5	5	5	350	DPEC003380	Lock Nut M8 (Black)	2	2	2	2
297	DPEC006143	Blast pipe screw	1	1	1	1	351	DPEC006182	Lower-guided board position base	1	1	1	1
299	DPEC006144	Round head Phillips screw	1	1	1	1	352	DPEC006223	Position holder reinforcement plate	1	1	1	1
299.1	DPEC005679	Lock nut	1	1	1	1	353	DPEC006183	Fence reinforcement plate	2	2	2	2
300	DPEC003024	Phillips Round Head M4 X 8	4	4	4	4	354	DPEC006185	Lifting base	1	1	1	1
303	DPEC006146	Stop sleeve	2	2	2	2	357	DPEC006186	Logo label	1	1	1	1
303.1	DPEC006241	Flat washer	1	1	1	1	358	DPEC006187	Blade guard storage base	1	1	1	1
304	DPEC006147	Torx screw	2	2	2	2	359	DPEC006188	Blade guard support base	1	1	1	1
307	DPEC006148	Pulley	2	2	2	2	360	DPEC003478	Miter Gage Fixed Base	1	1	1	1
308.1	DPEC006149	Set screw	4	3	3	3	361	DPEC006189	Round Phillips screw	8	4	4	4
308.2	DPEC006242	Flat key	1	1	1	1	362	DPEC005513	Reset Button Label	2	2	2	2
308.3	DPEC007345	Flat Key	1	1	1	1	400	DPEC006258	Extension wing (right)	--	--	1	1
309	DPEC006151	Belt	1	1	1	1	401	DPEC006259	Stand tripod plate	--	--	2	2
310	DPEC006152	Belt cover	1	1	1	1	402	DPEC003261	Table Leg	--	--	2	2
311	DPEC003024	Phillips Round Head M4 X 8	4	4	4	4	403	DPEC006260	Hex nut	--	--	2	2
312	DPEC005725	Guard Spring	1	1	1	1	404	DPEC006261	Adjustment screw	--	--	2	2
313	DPEC003594	Right Guard Warning Label	1	1	1	1	405	DPEC006262	8-16 x 3/4 Round Head Screw	--	--	8	8
314	DPEC003595	Left Guard Warning Label	1	1	1	1	406	DPEC006263	7/32 x 1/2 Flat Washer	--	--	4	4
315	DPEC003597	Small Guard Warning Label	1	1	1	1	407	DPEC006264	10-32 Hex Nut	--	--	4	4
316	DPEC006154	Fence label	1	1	1	1	408	DPEC006265	Round Head Phillips Screw	--	--	4	4
316.1	DPEC006155	Fence label (small)	1	1	1	1	409	DPEC006266	1/4-20 x 1-1/2 Hex Head Screw	--	--	6	6
317	DPEC006156	Warning label	1	1	1	1	410	DPEC003059	8 x 16 x 1t Flat Washer	--	--	12	12
318	DPEC006157	Data/spec label	1	1	1	1	411	DPEC006267	1/4-20 Hex Nut	--	--	12	12
322	DPEC006158	Lifting Assy.	1	1	1	1	412	DPEC006268	1/4-20 x 1-1/2 Pan Head Socket Screw	--	--	6	6
322.1	DPEC006159	Motor Assy.	1	1	1	1							
322.2	DPEC006160	Shaft Assy.	1	1	1	1							
323	DPEC006161	Bevel rod Assy.	1	1	1	1							
324	DPEC006162	Dust chute Assy.	1	1	1	1							
325	DPEC006163	Blade guard Assy.	1	1	1	1							

***** = Item is standard hardware and should be purchased from a local hardware or home improvement store. Colors may vary.**