

ShopMaster

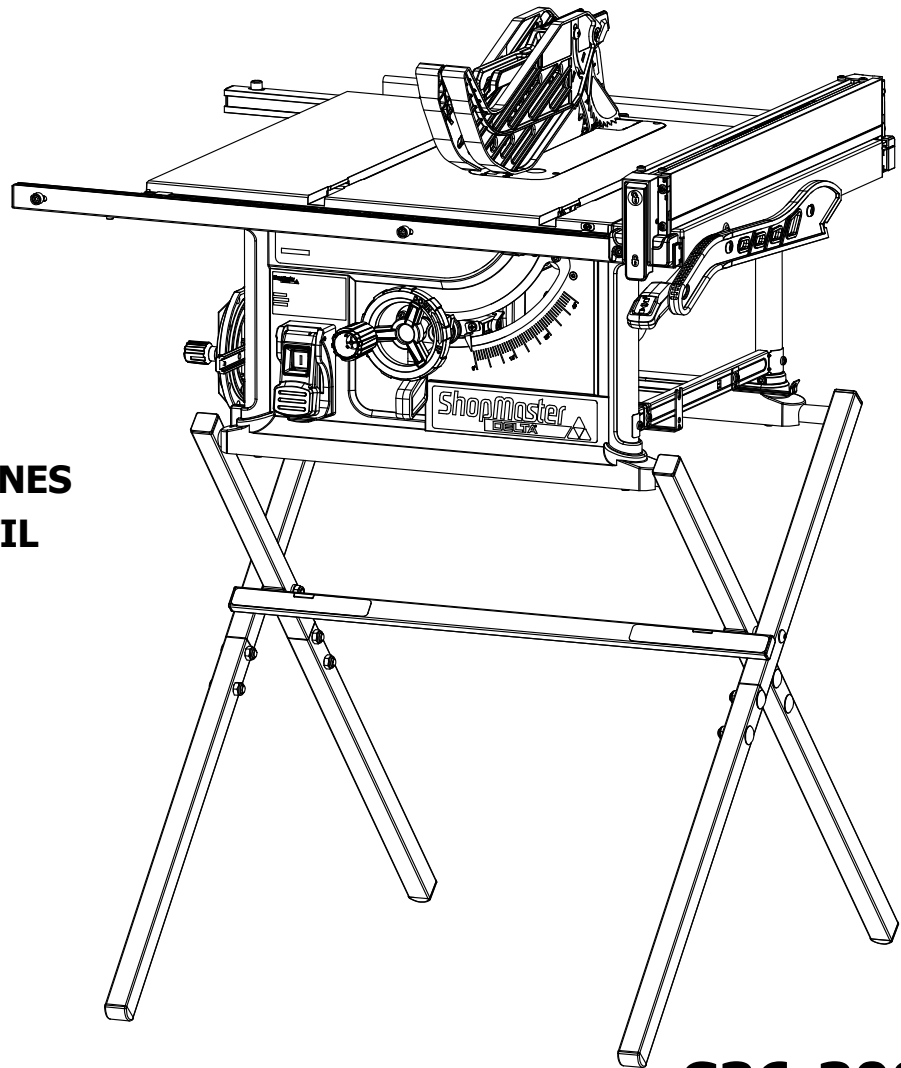
DELTA[®]

INSTRUCTION MANUAL

10 IN. PORTABLE TABLE SAW WITH STAND

GUIDE D'UTILISATION
SCIE À TABLE PORTATIVE
AVEC SUPPORT DE 10 PO
(25,4 CM)

MANUAL DE INSTRUCCIONES
SIERRA DE MESA PORTÁTIL
DE 10" CON BASE



FRANÇIAS (PG 28)
ESPAÑOL (PG 54)

S36-300T2
www.shopmastermachinery.com

To reduce the risk of serious injury, thoroughly read and comply with all warnings and instructions in this manual and on product.

⚠ WARNING: KEEP THIS MANUAL NEAR YOUR PRODUCT FOR EASY REFERENCE AND TO INSTRUCT OTHERS

TABLE OF CONTENTS

FUNCTIONAL DESCRIPTION	2	CUTTING AIDS AND ACCESSORIES	21
IMPORTANT SAFETY INSTRUCTIONS	3	PUSH STICK	21
SAFETY SYMBOLS-DEFINITIONS	3	AUXILIARY MITER GAUGE FACING	21
GENERAL SAFETY RULES	3	PUSH BLOCK	22
PROPOSITION 65 WARNING	4	FEATHERBOARD	22
TERMINOLOGY	4	CUT OFF GAUGE	23
TABLE SAW SAFETY RULES	5	JIGS.....	23
TABLE SAW SPECIFIC SAFETY RULES	5	MAKING ADJUSTMENTS	23
SAW BLADE GUARD, ANTI-KICKBACK PAWLS AND RIVING		LEVELING THE THROAT PLATE	23
KNIFE ASSEMBLY	6	CHANGING THE BEVEL.....	23
MAKING A PUSH STICK	6	ADJUSTING THE BEVEL STOPS	24
KICKBACKS.....	6	ADJUSTING THE BLADE HEIGHT	24
POWER CONNECTIONS	7	USING THE MITER GAUGE.....	24
POWER SOURCE	7	RIVING KNIFE ADJUSTMENT	25
EXTENSION CORDS	7	RIVING KNIFE ALIGNMENT.....	25
UNPACKING	8	MAINTENANCE	26
SHIPPING CONTENTS	8	TROUBLESHOOTING	26
HARDWARE BAG CONTENTS.....	9	ACCESSORIES	27
TOOLS NEEDED FOR ASSEMBLY OF ADJUSTMENTS.....	9	PARTS, SERVICES OR WARRANTY ASSISTANCE	27
GENERAL PARTS KNOWLEDGE	10	REPLACEMENT PARTS	27
ASSEMBLY	10	FREE WARNING LABEL REPLACEMENT	27
STAND ASSEMBLY	10	SERVICE AND REPAIRS	27
ATTACHING STAND TO SAW	12	FRENCH	28
HEIGHT ADJUSTMENT KNOB INSTALLATION	12	SPANISH	54
INSTALLING/CHANGING BLADE	13		
POSITION THE RIVING KNIFE	13		
INSERT AND LEVEL THROAT PLATE.....	14		
ANTI-KICKBACK PAWLS AND BLADE GUARD	14		
RIP FENCE.....	15		
OPERATION	16		
TURNING THE SAW ON AND OFF.....	16		
MAKING CUTS	17		
RIP CUTS	18		
BEVEL RIPPING	18		
CROSSCUTTING.....	19		
BEVEL CROSSCUTTING	19		
MITER CROSSCUTTING	19		
COMPOUND MITER CUTS	20		
LARGE PANEL CUTS	20		
NON-THROUGH CUTS	20		
MAKING A NON-THROUGH CUT	20		

FUNCTIONAL DESCRIPTION

The SHOPMASTER S36-300T2 10-inch Portable Table Saw is designed to help you achieve your home improvement and home shop needs. This saw can tackle nearly any DIY project with easy to use features. This saw package contains the following items: Saw Assembly, Stand, Rip Fence, Miter Gauge, Push Stick, Riving knife, Anti-kickback Pawls, Blade guard, Throat Plate, and 10-in. carbide tooth blade.

Specifications

MAX DEPTH OF CUT AT 90°:	3"
MAX DEPTH OF CUT AT 45°:	2-1/2"
MAX RIP TO RIGHT OF BLADE:	28"
MAX RIP TO LEFT OF BLADE:	15"
Motor Specifications:	
AMPERAGE:	15 Amps
VOLTAGE:	120 Volts

This tool can only be used with woodworking saw blades.

NOTE: The manual cover illustrates the current production model. All other illustrations contained in the manual are representative only and may not be exact depictions of actual labeling or accessories included. They are intended for illustrative purposes only.

IMPORTANT SAFETY INSTRUCTIONS

⚠ WARNING: CAREFULLY READ AND FOLLOW ALL WARNINGS AND INSTRUCTIONS ON YOUR PRODUCT AND IN THIS MANUAL. SAVE THIS MANUAL. MAKE SURE ALL USERS ARE FAMILIAR WITH ITS WARNINGS AND INSTRUCTIONS WHEN USING THE TOOL. Improper operation, maintenance or modification of tools or equipment could result in serious injury and/or property damage.



SAFETY SYMBOLS-DEFINITIONS

This manual contains information that is important for you to know and understand. This information relates to protecting **YOUR SAFETY** and **PREVENTING EQUIPMENT PROBLEMS**. To help you recognize this information, we use the symbols below. Please read the manual and pay attention to these sections.

- ⚠ DANGER:** Indicates an imminently hazardous situation which, if not avoided, will result in death or serious injury.
- ⚠ WARNING:** Indicates a potentially hazardous situation which, if not avoided, could result in death or serious injury.
- ⚠ CAUTION:** Indicates a potentially hazardous situation which, if not avoided, may result in minor or moderate injury.
- CAUTION** Used without the safety alert symbol indicates potentially hazardous situation which, if not avoided, may result in property damage.

Some of the following symbols may be used on this tool. Please study them and learn their meaning. Proper interpretation of these symbols will allow you to operate the tool better and safer.

SYMBOL	NAME	DESIGNATION/EXPLANATION
	Safety Alert	Indicates a potential personal injury hazard.
	Read Operator's Manual	To reduce the risk of injury, user must read and understand operator's manual before using this product.
	Eye Protection	Always wear eye protection with side shields marked to comply with ANSI Z87.1.
	No Hands Symbol	Failure to keep your hands a way from the blade will result in serious personal injury.
	Wet Conditions Alert	Do not expose to rain or use in damp locations.
	Pinch Warning	Always watch for movement paying extra attention to potential areas where pinching could occur.
V	Volts	Voltage
A	Amperes	Current
Hz	Hertz	Frequency (cycles per second)
min	Minutes	Time
~	Alternating Current	Type of current
n ₀	No Load Speed	Rotational speed, at no load
.../min	Per Minute	Revolutions, strokes, surface speed, orbits, etc., per minute
A.C	Alternating Current	Type of current
Kg	Kilograms	Unit of weight
RPM	Revolutions Per Minute	Speed of rotation of machine

GENERAL POWER TOOL SAFETY WARNINGS

▲ WARNING: Read all safety warnings, instructions, illustrations and specifications provided with this power tool. Failure to follow all instructions listed below may result in electric shock, fire and/or serious injury.

Save all warnings and instructions for future reference.

The term "power tool" in the warnings refers to your mains-operated (corded) power tool or BATTERY-operated (cordless) power tool.

1. Work area safety

- a. **Keep work area clean and well lit.** Cluttered or dark areas invite accidents.
- b. **Do not operate power tools in explosive atmospheres, such as in the presence of flammable liquids, gases or dust.** Power tools create sparks which may ignite the dust or fumes.
- c. **Keep children and bystanders away while operating a power tool.** Distractions can cause you to lose control.

2. Electrical safety

- a. **Power tool plugs must match the outlet. Never modify the plug in any way. Do not use any adapter with earthed (grounded) power tools.** Unmodified plugs and matching outlets will reduce risk of electric shock.
- b. **Avoid body contact with earthed or grounded surfaces, such as pipes, radiators, ranges and refrigerators.** There is an increased risk of electric shock if your body is earthed or grounded.
- c. **Do not expose power tools to rain or wet conditions.** Water entering a power tool will increase the risk of electric shock.
- d. **Do not abuse the cord. Never use the cord for carrying, pulling or unplugging the power tool. Keep cord away from heat oil, sharp edges or moving parts.** Damaged or entangled cords increase the risk of electric shock.
- e. **When operating a power tool outdoors, use an extension cord suitable for outdoor use.** Use of a cord suitable for outdoor use reduces the risk of electric shock.
- f. **If operating a power tool in a damp location is unavoidable, use a ground fault circuit interrupter (GFCI) protected supply.** Use of an GFCI reduces the risk of electric shock.



3. Personal safety

- a. **Stay alert, watch what you are doing and use common sense when operating a power tool. Do not use a power tool while you are tired or under the influence of drugs, alcohol or medication.** A moment of inattention while operating power tools may result in serious personal injury.
- b. **Use personal protective equipment. Always wear eye protection.** Protective equipment such as dust mask, non-skid safety shoes, hard hat, or hearing protection used for appropriate conditions will reduce personal injuries.
- c. **Prevent unintentional starting. Ensure the switch is in the off-position before connection to power source, picking up, or carrying the tool.** Carrying power tools with your finger on the switch or energising power tools that have the switch on invites accidents.
- d. **Remove any adjusting key or wrench before turning the power tool on.** A wrench or a key left attached to a rotating part of the power tool may result in personal injury.
- e. **Do not overreach. Keep proper footing and balance at all times.** This enables better control of the power tool in unexpected situations.
- f. **Dress properly. Do not wear loose clothing or jewelry. Keep your hair, clothing and gloves away from moving parts.** Loose clothes, jewelry or long hair can be caught in moving parts.
- g. **If devices are provided for the connection of dust extraction and collection facilities, ensure these are connected and properly used.** Use of dust collection can reduce dust-related hazards.
- h. **Do not let familiarity gained from frequent use of tools allow you to become complacent and ignore tool safety principles.** A careless action can cause severe injury within a fraction of a second.

4. Power tool use and care

- a. **Do not force the power tool. Use the correct power tool for you application.** The correct power tool will do the job better and safer at the rate for which it was designed.
- b. **Do not use the power tool if the switch does not turn it on and off.** Any power tool that cannot be controlled with the switch is dangerous and must be repaired.
- c. **Disconnect the plug from the power source before making any adjustments, changing accessories, or storing power tools.** Such preventive safety measures reduce the risk of starting the power tool accidentally.
- d. **Store idle power tools out of the reach of children and do not allow persons unfamiliar with the power tool or these instructions to operate the power tool.** Power tools are dangerous in the hands of untrained users.
- e. **Maintain power tools and accessories. Check for misalignment or binding of moving parts, breakage of parts and any other condition that may affect the power tool's operation. If damaged, have the power tool repaired before use.** Many accidents are caused by poorly maintained power tools.
- f. **Keep cutting tools sharp and clean.** Properly maintained cutting tools with sharp cutting edges are less likely to bind and are easier to control.
- g. **Use the power tool, accessories and tools bits etc. in accordance with these instructions, taking into account the working conditions and the work to be performed.** Use of the power tool for operations different from those intended could result in a hazardous situation.
- h. **Keep handles and grasping surfaces dry, clean and free from oil and grease.** Slippery handles and grasping surfaces do not allow for safe handling and control of the tool in unexpected situations.

5. Service

- a. **Have your power tool serviced by a qualified repair person using only identical replacement parts.** This will ensure that the safety of the power tool is maintained.

TABLE SAW SAFETY RULES

Terminology

THE FOLLOWING TERMS WILL BE USED THROUGHOUT THE MANUAL AND YOU SHOULD BECOME FAMILIAR WITH THEM.

THROUGH-CUT - any cut that completely cuts through the workpiece.

NON-THROUGH CUT - any cut that does not completely cut through the workpiece.

PUSH STICK - a wooden or plastic stick, usually homemade, that is used to push a small workpiece through the saw and keeps the operator's hands clear of the blade.

KICKBACK - when the saw blade binds in the cut or the workpiece binds between the blade and the fence and the workpiece is thrust back toward the operator.

FREEHAND - cutting without the use of a miter gauge or rip fence or any other means of guiding or holding the workpiece other than the operator's hand.

PLUNGE CUTTING - blind cuts in the workpiece made by either raising the blade through the workpiece or lowering the workpiece down to the blade.

RE-SAWING - flipping the workpiece to complete a cut the saw is not capable of making in one pass.

COVE CUTTING - an operation where the work is fed at an angle across the blade. (Also known as "coving").

⚠ WARNING: FAILURE TO FOLLOW THESE RULES MAY RESULT IN SERIOUS PERSONAL INJURY.

SEE GENERAL POWER TOOL SAFETY SECTION OF THIS MANUAL. Read entire instruction manual before operating saw. Learning the saw's proper applications, limitations, and specific potential hazards will greatly minimize the possibility of accidents and injury. Make sure all users are familiar with its warnings and instructions before using saw.

SEE POWER CONNECTION SECTION OF THIS MANUAL for instructions and warnings regarding power cords and connections.

Table Saw Specific Safety Rules

⚠ WARNING READ ALL SAFETY WARNINGS DESIGNATED BY THE SYMBOL **⚠** AND ALL INSTRUCTIONS.

1. GUARDING RELATED WARNINGS (FOR TABLE SAW, 62841-3-1)

- Keep guards in place. Guards must be in working order and be properly mounted.** A guard that is loose, damaged, or is not functioning correctly must be repaired or replaced.
- Always use saw blade guard, riving knife and anti-kickback device for every through-cutting operation.** For through-cutting operations where the saw blade cuts completely through the thickness of the workpiece, the guard and other safety devices help reduce the risk of injury.
- Immediately reattach the guarding system after completing an operation (such as rabbeting or resawing cuts) which requires removal of the guard, riving knife and/or anti-kickback device.** The guard, riving knife, and anti-kickback device help to reduce the risk of injury.
- Make sure the saw blade is not contacting the guard, riving knife or the workpiece before the switch is turned on.** Inadvertent contact of these items with the saw blade could cause a hazardous condition.
- Adjust the riving knife as described in this instruction manual.** Incorrect spacing, positioning and alignment can make the riving knife ineffective in reducing the likelihood of kickback.
- For the riving knife and anti-kickback device to work, they must be engaged in the workpiece.** The riving knife and anti-kickback device are ineffective when cutting workpieces that are too short to be engaged with the riving knife and anti-kickback device. Under these conditions a kickback cannot be prevented by the riving knife and antikickback device.
- Use the appropriate saw blade for the riving knife.** For the riving knife to function properly, the saw blade diameter must match the appropriate riving knife and the body of the saw blade must be thinner than the thickness of the riving knife and the cutting width of the saw blade must be wider than the thickness of the riving knife.

2. CUTTING PROCEDURES WARNINGS

- DANGER: Never place your fingers or hands in the vicinity or in line with the saw blade.** A moment of inattention or a slip could direct your hand towards the saw blade and result in serious personal injury.
- Feed the workpiece into the saw blade or cutter only against the direction of rotation.** Feeding the workpiece in the same direction that the saw blade is rotating above the table may result in the workpiece, and your hand, being pulled into the saw blade.
- Never use the mitre gauge to feed the workpiece when ripping and do not use the rip fence as a length stop when cross cutting with the mitre gauge.** Guiding the workpiece with the rip fence and the mitre gauge at the same time increases the likelihood of saw blade binding and kickback.
- ⚠ When ripping, always apply the workpiece feeding force between the fence and the saw blade.** Use a push stick when the distance between the fence and the saw blade is less than 150 mm, and use a push block when this distance is less than 50 mm. "Work helping" devices will keep your hand at a safe distance from the saw blade.
- Use only the push stick provided by the manufacturer or constructed in accordance with the instructions.** This push stick provides sufficient distance of the hand from the saw blade.
- Never use a damaged or cut push stick.** A damaged push stick may break causing your hand to slip into the saw blade.
- Do not perform any operation "freehand".** Always use either the rip fence or the mitre gauge to position and guide the workpiece. "Freehand" means using your hands to support or guide the workpiece, in lieu of a rip fence or mitre gauge. Freehand sawing leads to misalignment, binding and kickback.
- Never reach around or over a rotating saw blade.** Reaching for a workpiece may lead to accidental contact with the moving saw blade.
- Provide auxiliary workpiece support to the rear and/or sides of the saw table for long and/or wide workpieces to keep them level.** A long and/or wide workpiece has a tendency to pivot on the table's edge, causing loss of control, saw blade binding and kickback.
- Feed workpiece at an even pace. Do not bend or twist the workpiece.** If jamming occurs, turn the tool off immediately, unplug the tool then clear the jam. Jamming the saw blade by the workpiece can cause kickback or stall the motor.
- Do not remove pieces of cut-off material while the saw is running.** The material may become trapped between the fence or inside the saw blade guard and the saw blade pulling your fingers into the saw blade. Turn the saw off and wait until the saw blade stops before removing material.
- Use an auxiliary fence in contact with the table top when ripping workpieces less than 2 mm thick.** A thin workpiece may wedge under the rip fence and create a kickback.
- Never Cut Metals, Cement Board or Masonry.** Certain man-made materials have special instructions for cutting on table saws. Follow the manufacturer's recommendations at all times to avoid overheating the saw blade tips as well as melting the plastic. Avoid overheating blade tips by pushing material through blade evenly. Forcing material to fast can cause heating and damage to blade or workpiece.

3. Kickback causes and related warnings

Kickback is a sudden reaction of the workpiece due to a pinched, jammed saw blade or misaligned line of cut in the workpiece with respect to the saw blade or when a part of the workpiece binds between the saw blade and the rip fence or other fixed object.

- Most frequently during kickback, the workpiece is lifted from the table by the rear portion of the saw blade and is propelled towards the operator.** Kickback is the result of saw misuse and/or incorrect operating procedures or conditions and can be avoided by taking proper precautions as given below.
- Never stand directly in line with the saw blade.** Always position your body on the same side of the saw blade as the fence. Kickback may propel the workpiece at high velocity towards anyone standing in front and in line with the saw blade.

TABLE SAW SAFETY RULES

- c. **Never reach over or in back of the saw blade to pull or to support the workpiece.** Accidental contact with the saw blade may occur or kickback may drag your fingers into the saw blade.
 - d. **Never hold and press the workpiece that is being cut off against the rotating saw blade.** Pressing the workpiece being cut off against the saw blade will create a binding condition and kickback.
 - e. **Align the fence to be parallel with the saw blade.** A misaligned fence will pinch the workpiece against the saw blade and create kickback.
 - f. **Use a featherboard to guide the workpiece against the table and fence when making non-through cuts such as rabbeting, or resawing cuts.** A featherboard helps to control the workpiece in the event of a kickback.
 - g. **Use extra caution when making a cut into blind areas of assembled workpieces.** The protruding saw blade may cut objects that can cause kickback.
 - h. **Support large panels to minimise the risk of saw blade pinching and kickback.** Large panels tend to sag under their own weight. Support(s) must be placed under all portions of the panel overhanging the table top.
 - i. **Use extra caution when cutting a workpiece that is twisted, knotted, warped or does not have a straight edge to guide it with a mitre gauge or along the fence.** A warped, knotted, or twisted workpiece is unstable and causes misalignment of the kerf with the saw blade, binding and kickback.
 - j. **Never cut more than one workpiece, stacked vertically or horizontally.** The saw blade could pick up one or more pieces and cause kickback.
 - k. **When restarting the saw with the saw blade in the workpiece, centre the saw blade in the kerf so that the saw teeth are not engaged in the material.** If the saw blade binds, it may lift up the workpiece and cause kickback when the saw is restarted.
 - l. **Keep saw blades clean, sharp, and with sufficient set.** Never use warped saw blades or saw blades with cracked or broken teeth. Sharp and properly set saw blades minimize binding, stalling and kickback.
4. **Table saw operating procedure warnings**
- a. **Turn off the table saw and disconnect the power cord when removing the table insert, changing the saw blade or making adjustments to the riving knife, ant kickback device or saw blade guard, and when the machine is left unattended.** Precautionary measures will avoid accidents.
 - b. **Never leave the table saw running unattended.** Turn it off and don't leave the tool until it comes to a complete stop. An unattended running saw is an uncontrolled hazard.
 - c. **Locate the table saw in a well-lit and level area where you can maintain good footing and balance.** It should be installed in an area that provides enough room to easily handle the size of your workpiece. Cramped, dark areas, and uneven slippery floors invite accidents.
 - d. **Frequently clean and remove sawdust from under the saw table and/or the dust collection device.** Accumulated sawdust is combustible and may self-ignite.
 - e. **The table saw must be secured.** A table saw that is not properly secured may move or tip over.
 - f. **Remove tools, wood scraps, etc. from the table before the table saw is turned on.** Distraction or a potential jam can be dangerous.
 - g. **Always use saw blades with correct size and shape (diamond versus round) of arbor holes.** Saw blades that do not match the mounting hardware of the saw will run off-center, causing loss of control.
 - h. **Never use damaged or incorrect saw blade mounting means such as flanges, saw blade washers, bolts or nuts.** These mounting means were specially designed for your saw, for safe operation and optimum performance.
 - i. **Never stand on the table saw, do not use it as a stepping stool.** Serious injury could occur if the tool is tipped or if the cutting tool is accidentally contacted.
 - j. **Make sure that the saw blade is installed to rotate in the proper direction.** Do not use grinding wheels, wire brushes, or abrasive wheels on a table saw. Improper saw blade installation or use of accessories not recommended may cause serious injury.
 - k. **DO NOT REMOVE A WORKPIECE** without first turning off the saw and unplugging it from the power source.

SAW BLADE GUARD, ANTI-KICKBACK PAWLS AND RIVING KNIFE ASSEMBLY

Your table saw is equipped with a blade guard, anti-kickback pawls and riving knife assembly that covers the blade and reduces the possibility of accidental blade contact. The riving knife is a flat plate that fits into the cut made by the saw blade and effectively prevents kickback by lessening the tendency of the blade to bind in the cut. Two anti-kickback pawls are located on the sides of the riving knife that allow the wood to pass through the blade in the cutting direction but reduce the possibility of the material being thrown backwards toward the operator. The riving knife can be used in two positions. It must be raised to the through-cut position before attaching anti-kickback pawls and blade guard. Both positions are marked on the riving knife. The blade guard and anti-kickback pawls can only be used when making through cuts that sever the wood. When making rabbets and other non-through cuts, the

blade guard and anti-kickback pawls must be removed and riving knife lowered to the non-through cut position marked on the riving knife.

Use all components of the guarding system (blade guard assembly, riving knife and anti-kickback pawls) for every operation for which they can be used including all through-cutting. If you elect not to use any of these components for a particular application, exercise additional caution regarding control of the workpiece, the use of push sticks, the position of your hands relative to the blade, the use of safety glasses, the means to avoid kickback and all other warnings contained in this manual and on the saw itself. Replace the guarding systems as soon as you return to through-cutting operations. Keep the guard assembly in working order.

KICKBACKS

Kickbacks can cause serious injury. A kickback occurs when a part of the workpiece binds between the saw blade and the rip fence, or other fixed object, rises from the table and is thrown toward the operator. The risk of kickback can be minimized by attention to the following instructions.

HOW TO REDUCE THE RISK OF KICKBACKS AND PROTECT YOURSELF FROM POSSIBLE INJURY:

Be certain that the rip fence is parallel to the saw blade.

- **DO NOT** rip by applying the feed force to the section of the workpiece that will become the cut-off (free) piece. Feed force when ripping should always be applied between the saw blade and the fence; use a push stick for all narrow work that is 6 inches (152 mm) wide or less.
- Keep saw blade guard, riving knife and anti-kickback assembly in place and operating properly. The riving knife must be in alignment with the saw blade and the anti-kickback assembly must stop a kickback once it has started. Check their action before ripping by pushing the wood under the anti-kickback assembly. The teeth must prevent the wood from being pulled toward the front of the saw. If any part of assembly is not operational, return to the nearest authorized service center for repair.

- Plastic and composite materials (like hardboard) may be cut on your saw. However, since these are usually quite hard and slippery, the anti-kickback pawls may not stop a kickback. Therefore, be especially attentive to following proper set up and cutting procedures for ripping.
- Use saw blade guard, anti-kickback pawls, and riving knife assembly for every possible operation, including all through-cut sawing.
- Push the workpiece past the saw blade prior to releasing control.
- **NEVER** rip a workpiece that is twisted or warped, or does not have a straight edge to guide along the fence.
- **NEVER** saw a large workpiece that cannot be controlled.
- **NEVER** use the fence as a guide or length stop when crosscutting.
- **NEVER** saw a workpiece with loose knots, flaws, nails or other foreign objects.
- **NEVER** rip a workpiece shorter than 10 inches (254 mm).
- **NEVER** use a dull blade. A dull blade should be replaced or re-sharpened.

PROPOSITION 65 WARNING:

▲ WARNING: Some dust created by power sanding, sawing, grinding, drilling, and other construction activities contains chemicals known to the state of California to cause cancer, birth defects or other reproductive harm. Some examples of these chemicals are:

- Lead from lead-based paints
- Crystalline silica from bricks and cement and other masonry products
- Arsenic and chromium from chemically-treated lumber

Your risk from these exposures varies, depending on how often you do this type of work. To reduce your exposure to these chemicals: work in a well-ventilated area and work with approved safety equipment, such as dust masks that are specifically designed to filter out microscopic particles.

Save These Instructions.

Refer to them often and use them to instruct others.
If tool is loaned to someone, also loan them these instructions.

POWER CONNECTIONS

POWER SOURCE

This saw is equipped with a 15-amp motor for use with a 120-volt, 60-HZ alternating current. See instructions below regarding proper connections for your saw. For voltage, the wiring in a shop is as important as the motor's rating. A line intended only for lights may not be able to properly carry the current needed for a power tool motor; wire that is heavy enough for a short distance may be too light for a greater distance; and a line that can support one power tool may not be able to support two or three.

A separate electrical circuit should be used for your machines. This circuit should not be less than #12 wire and should be protected with a 20-amp time lag fuse. Before connecting the machine to the power line, make sure the switch is in the "OFF" position and be sure that the electric current is of the same characteristics as indicated on the machine. A substantial voltage drop will cause a loss of power and overheat the motor. It may also damage the machine.

▲ DANGER: DO NOT EXPOSE THE MACHINE TO RAIN OR OPERATE THE MACHINE IN DAMP LOCATIONS.

EXTENSION CORDS

▲ DANGER: Never use a damaged extension cord. Check extension cords before each use. If damaged, replace immediately. Touching the damaged area could cause electrical shock resulting in serious injury.

▲ CAUTION: Keep the extension cord clear of the work area. Position the cord so it will not get caught on lumber, tools or other obstructions.

- Use the "MINIMUM GAUGE EXTENSION CORD" table, show on the right, to determine the proper length and gauge for any extension cord used to supply power to your tool.
- Use properly rated extension cords. When using an extension cord, be sure to use one heavy enough to carry the current required by your machine. An undersized cord will cause a drop in line voltage, resulting in loss of power and overheating. The table shows the minimum gauge to use depending on the cord length. If in doubt, use the next heavier gauge. The smaller the gauge number, the heavier the cord. Only round, jacketed cords listed by Underwriter's Laboratories (UL) should be used.
- When working outdoors, use an extension cord designed for outdoor use.

MINIMUM GAUGE EXTENSION CORD RECOMMENDED SIZES FOR USE WITH STATIONARY ELECTRIC MACHINES			
AMPERE RATING	VOLTS	TOTAL LENGTH OF CORD IN FEET	GAUGE OF EXTENSION CORD
0-6	120	Up to 25	18 AWG
0-6	120	25-50	16 AWG
0-6	120	50-100	16 AWG
0-6	120	100-150	14 AWG
6-10	120	Up to 25	18 AWG
6-10	120	25-50	16 AWG
6-10	120	50-100	14 AWG
6-10	120	100-150	12 AWG
10-12	120	Up to 25	16 AWG
10-12	120	25-50	16 AWG
10-12	120	50-100	14 AWG
10-12	120	100-150	12 AWG
12-16	120	Up to 25	14 AWG
12-16	120	25-50	12 AWG
12-16	120	GREATER THAN 50 FEET NOT RECOMMENDED	

UNPACKING

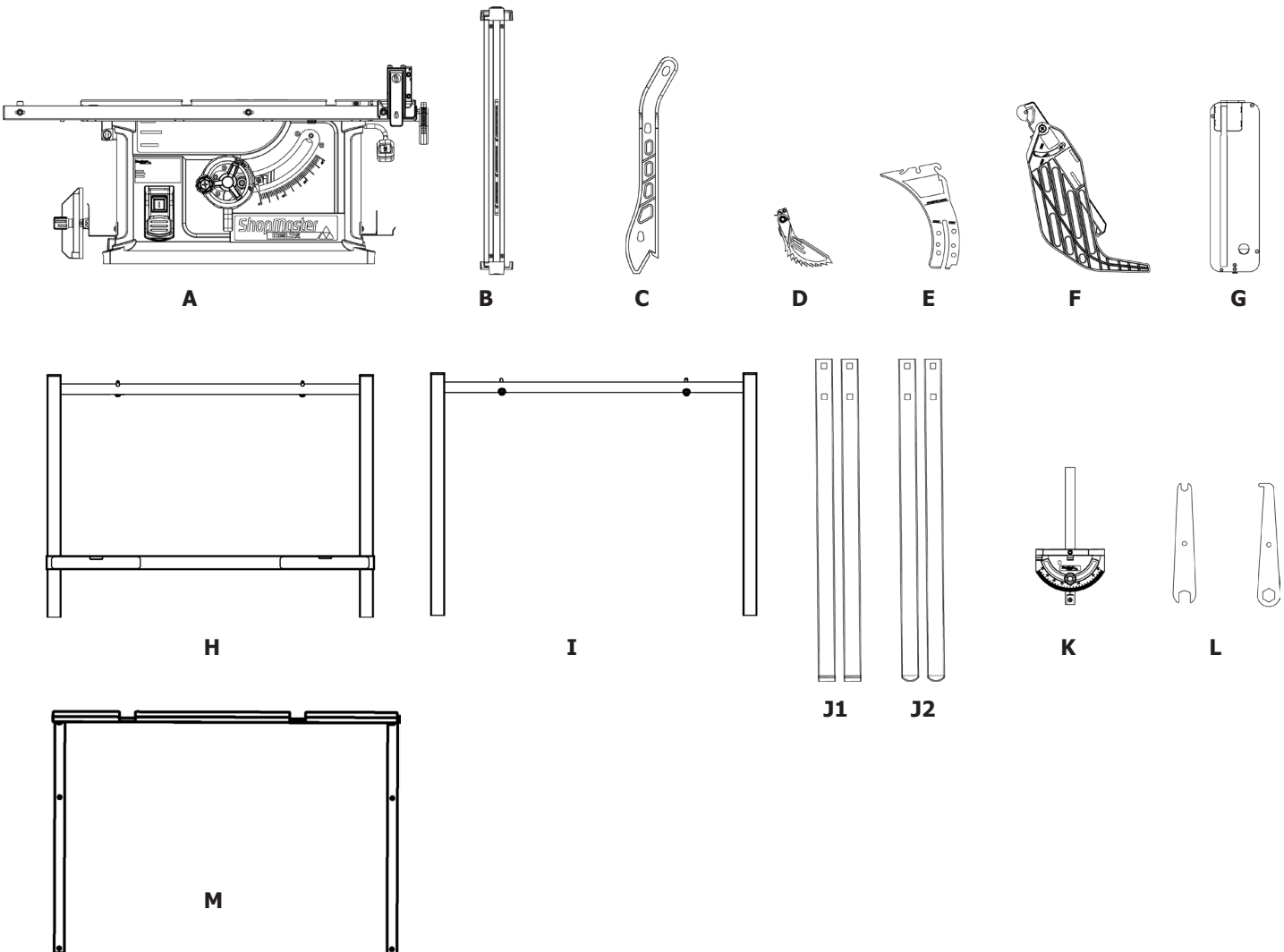
⚠ WARNING: Prior to tool assembly and use, read this manual thoroughly to familiarize yourself with proper assembly, maintenance and safety procedures.

Check shipping carton and machine for damage before unpacking. Carefully remove components in top foam layer. Remove the top layer of foam then remove all components in the bottom layer of foam. Lay out all parts on a piece of cardboard or other clean, flat surface. Always check for and remove protective shipping

materials around motors and moving parts. Do not discard shipping carton and packing materials until you have carefully inspected the contents, assembled the machine and are satisfied that it operates correctly. Compare package contents to Shipping Contents List and Hardware Bag List prior to assembly to make sure all items are present. Carefully inspect parts to make sure no damage occurred during shipping. If any parts are missing, damaged or preassembled, do not assemble. Instead, call Customer Support at 1-800-223-7278 for assistance.

SHIPPING CONTENTS

- A. Saw
- B. Rip Fence
- C. Push Stick
- D. Anti-Kickback Pawls
- E. Riving Knife (preassembled to saw)
- F. Blade Guard
- G. Throat Plate
- H. Stand Part 1
- I. Stand Part 2
- J1. Vertical Feet (B)
- J2. Horizontal Feet (A)
- K. Miter Gauge
- L. Blade Wrenches (2)
- M. Outfeed Extension

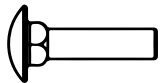
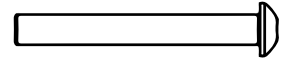
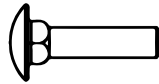
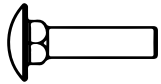
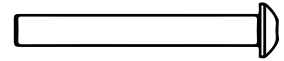
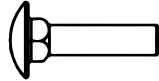
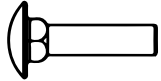
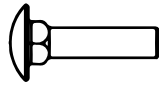
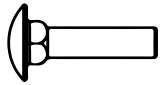


UNPACKING

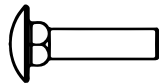
HARDWARE BAG CONTENTS

Description (QTY)

- a. M8 x 35 mm Carriage Bolt (8)
- b. M8 Flat Washer (2)
- c. M8 Spacer (2)
- d. M8 x 65 mm Hex Socket Head Bolt (2)
- e. M8 Lock Nut (10)
- f. Hand Wheel Shoulder Screw (1)
- g. Handle Wheel Knob (1)
- h. 4mm Hex/Phillips Wrench (1)
- i. M5 x 16 Phillips Head Bolt (4)



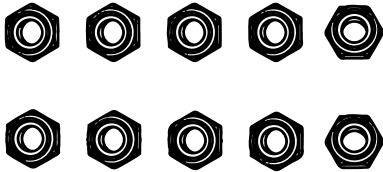
a



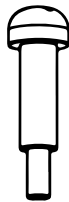
b

c

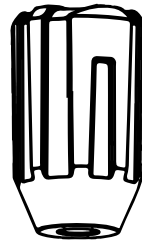
d



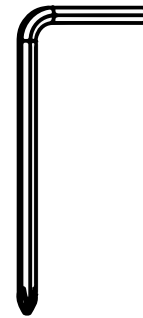
e



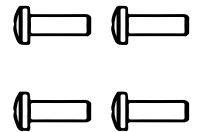
f



g

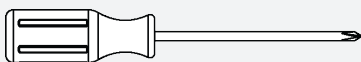


h

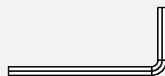


i

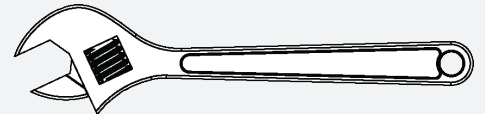
TOOLS NEEDED FOR ASSEMBLY OR ADJUSTMENTS (NOT SUPPLIED)



Phillips Screwdriver



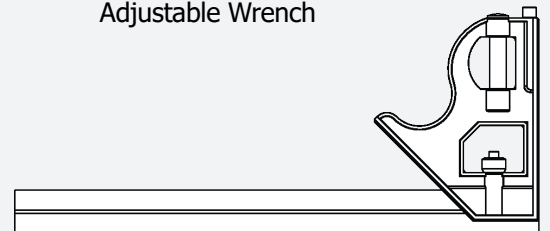
3 mm, 4 mm, 5mm
Hex Key



Adjustable Wrench

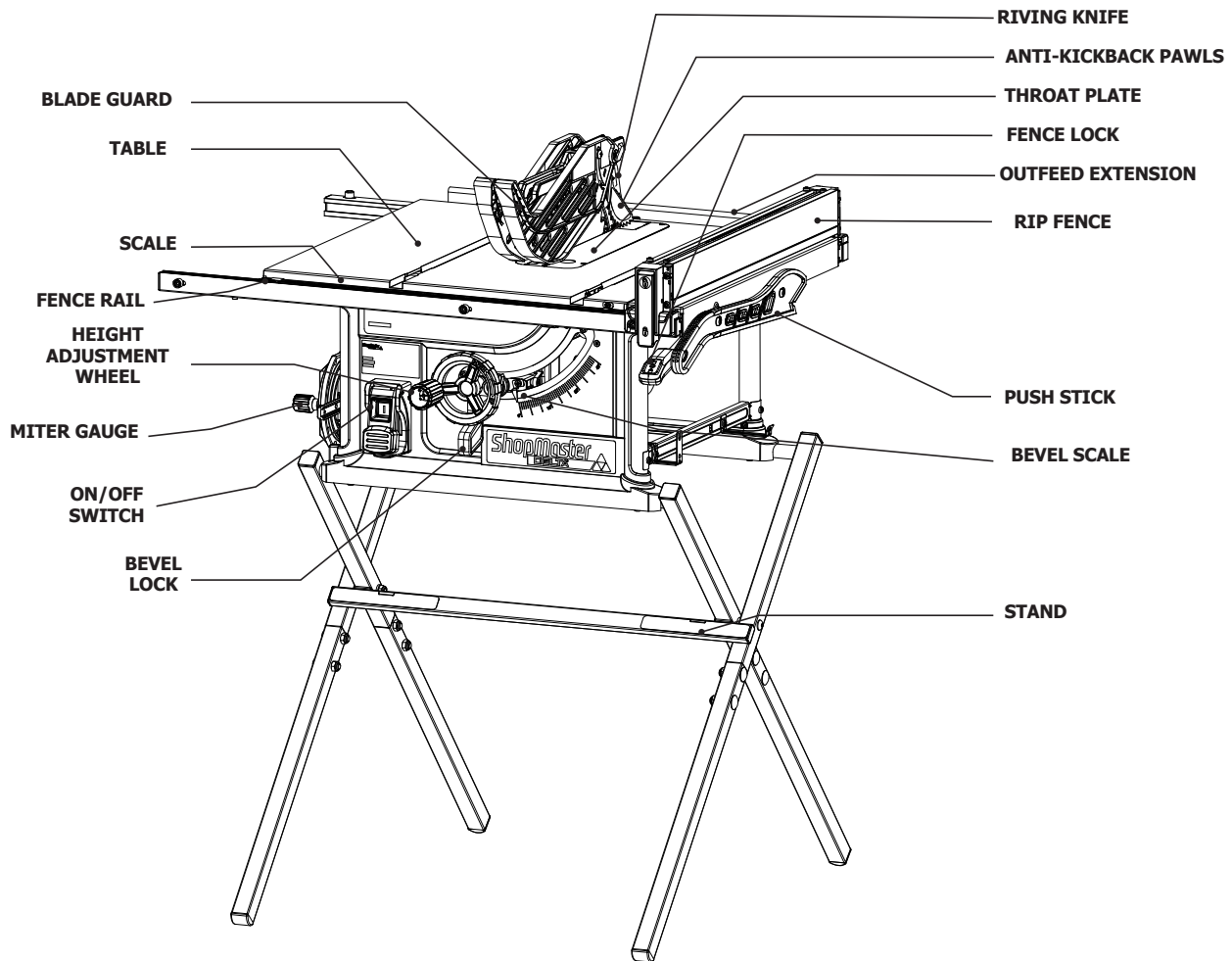


Straight Edge



Combination Square

GENERAL PARTS KNOWLEDGE



ASSEMBLY

The part and hardware names and letters correspond to those shown in General Parts Knowledge, Shipping Contents, and the Hardware Contents.

⚠ WARNING:

When lifting saw, hold it close to your body while lifting. Keep knees bent and lift with your legs, not your back. Fully assemble saw with stand assembly prior to use. Stand assembly is an integral and necessary part of the support structure for this saw. Do not attempt to substitute a table or other surface for the stand assembly. Do not modify saw, or create accessories not recommended for use with this saw.

Do not connect to power supply until assembly is complete. Make sure power switch is in "OFF" position before connecting to power supply. Avoid contact with blade teeth. Keep blade stored or lowered when possible.

STAND ASSEMBLY

Assemble stand part 2 (I) through stand part 1 (H) that has cross support as shown in (FIGURE 1). Secure stand assembly with M8 x 65mm hex socket head screw (d), M8 spacer (c), M8 washer (b), and M8 lock nut (e). (FIGURE 1)

NOTE: M8 spacer (c) is between stand part (H) and (I). (FIGURE 2) for correct stand parts setup.

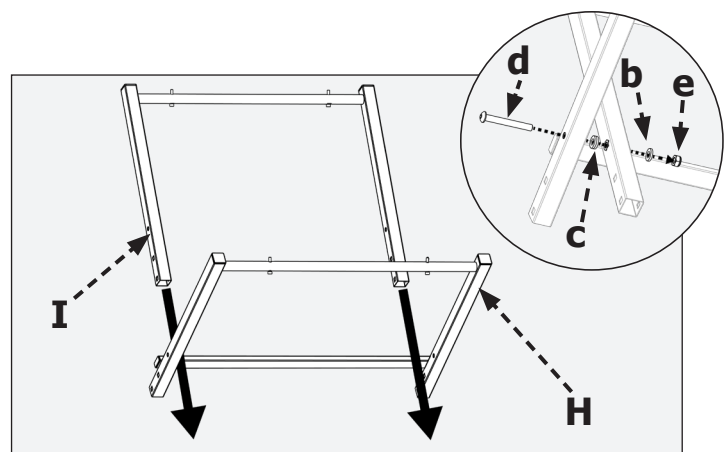


FIGURE 1

ASSEMBLY

NOTE: Make sure that stand part 1 (H) and stand part 2 (I) are assembled in the proper orientation.

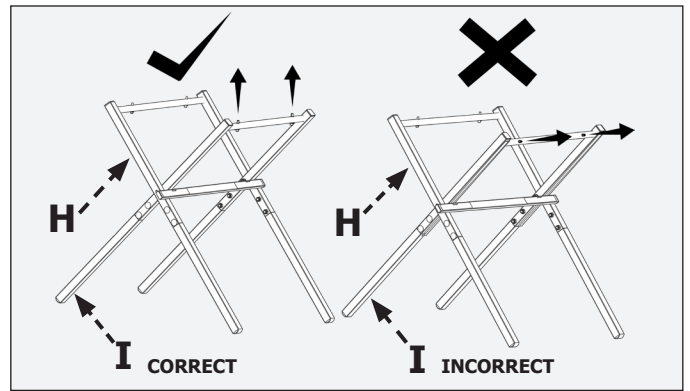


FIGURE 2

With assembled stand open, attach legs (J) to the stand using (eight) M8 x 35mm carriage bolts (a) and (eight) M8 lock nuts (e). Tighten lock nuts to secure legs to stand (FIGURE 3).

NOTE: Do not over tighten lock nuts.

See finished assembly of stand in (FIGURE 4).

NOTE: Legs need to correspond to correct side of stand. The feet of the front (A) are horizontal and the feet of the rear (B) are vertical.

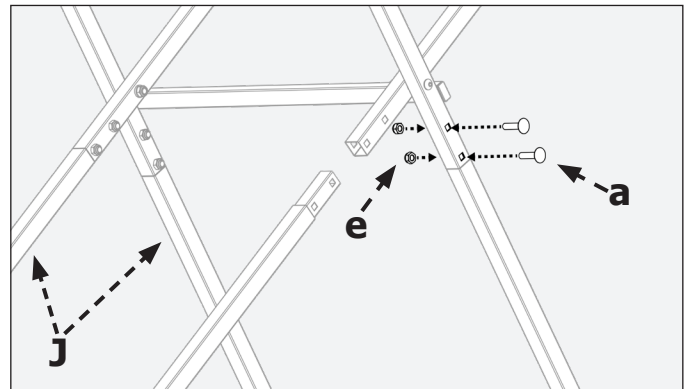


FIGURE 3

Saw as assembled (FIGURE 4A and 4B).

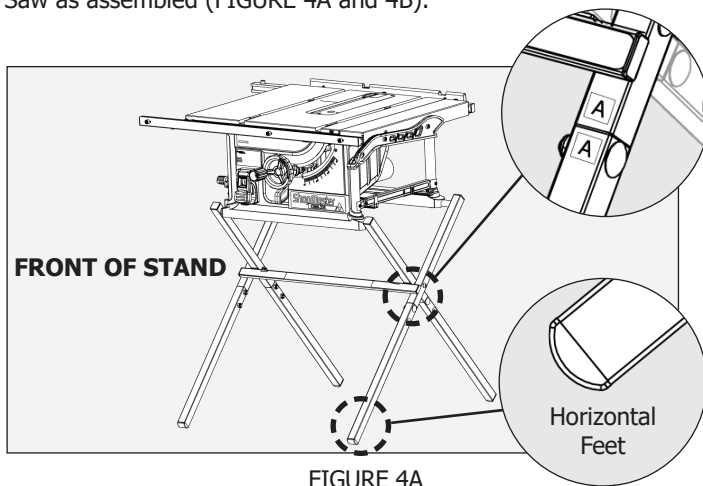


FIGURE 4A

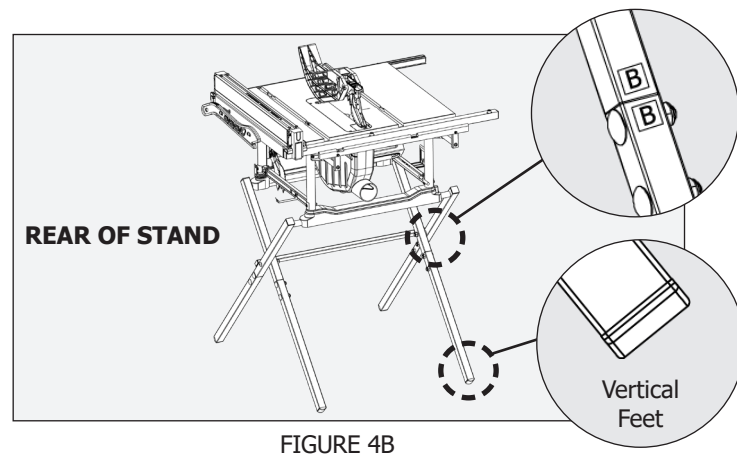


FIGURE 4B

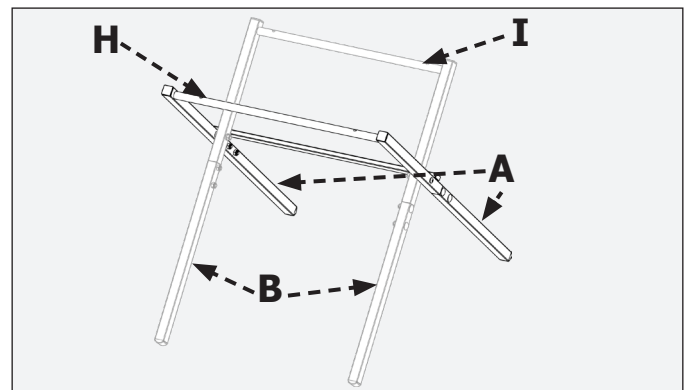


FIGURE 5

ASSEMBLY

NOTE: Before assembling stand to saw, unlock bevel lock, tilt blade/motor assembly and remove Styrofoam piece from under saw motor. The bevel lock is the handle located underneath the blade height adjustment wheel (FIGURE 6).

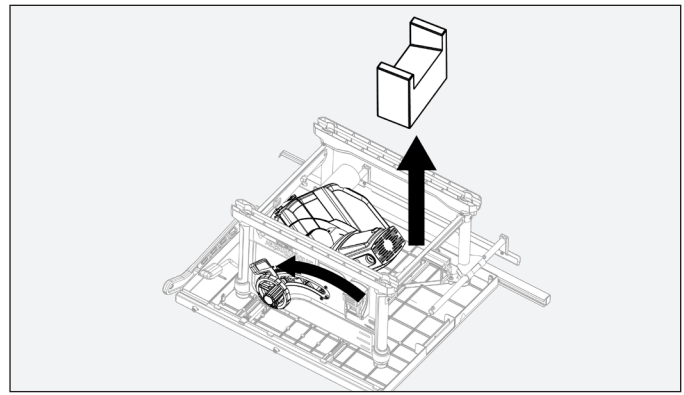


FIGURE 6

ATTACHING STAND TO SAW

Place saw (A) on stand assembly, while aligning the screw holes in the saw stand with the threaded holes in the saw base (FIGURE 7).

Tighten hex cap screws to secure stand assembly to saw.

NOTE: Do not over tighten.

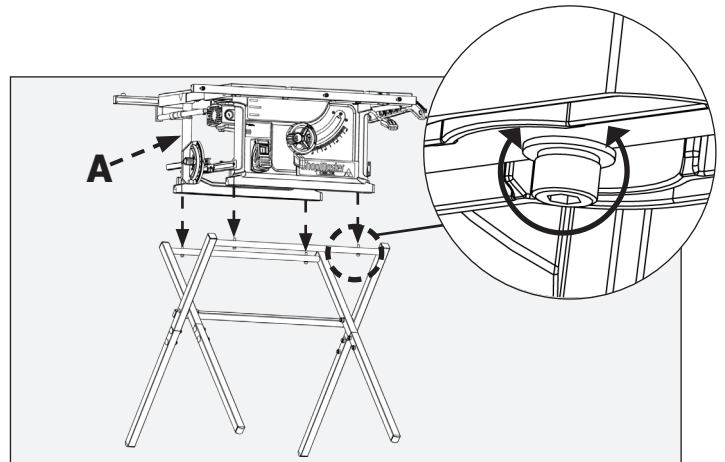


FIGURE 7

Refer to (FIGURE 8).

Extend the outfeed support to expose the four holes. On the bottom of the outfeed support tubes. Insert four M5 x 16 Phillips head bolt (i) from underneath. Tighten with the supplied Allen wrench. Repeat on the other side of outfeed support

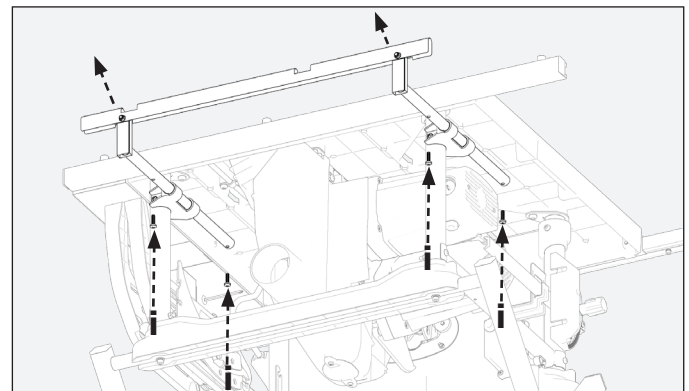


FIGURE 8

HEIGHT ADJUSTMENT KNOB INSTALLATION

- Insert shoulder screw (f) into height adjustment knob (g) as shown in (FIGURE 9).
- Tighten shoulder screw (f) with Phillips Screw driver into Hand Wheel. Height adjustment knob should rotate freely around shoulder screw when raising or lowering the blade with the Height Adjustment Hand Wheel.

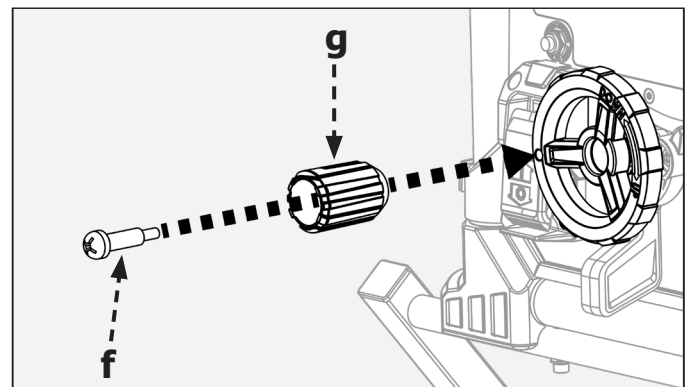


FIGURE 9

ASSEMBLY

INSTALLING/CHANGING BLADE

Ensure riving knife lock lever is in unlocked position (FIGURE 10).

Remove nut and the outer flanged washer from shaft assembly. Place blade on the arbor shaft with the teeth on the blade pointing toward the front of the saw. SHOPMASTER logo on the blade will be facing toward the left side of the saw. Place flanged washer on the shaft with the large side of the washer towards the blade, then secure blade assembly with nut (FIGURE 10).

Tighten nut with blade wrenches (L) from the on-board storage area on the right side of the saw. Open end wrench will fit on the arbor shaft between the inner flange washer and the motor assembly (if necessary, turn shaft to align flats on the arbor shaft to the wrench). Closed end wrench will fit on the nut. See FIGURE 10a.

Return wrenches (L) to on-board storage location. Return riving knife lock lever to locked position. Return throat plate (G) making sure to lock tab on rear of throat plate under table top as shown in FIGURE 10b.

NOTE: Use only 10"(254mm) diameter blades with 5/8" (16mm) arbor holes, rated at 5,000 rpm or higher, 0.10" (2.6 mm) min. kerf width and 0.073" (1.85 mm) max body thickness. Only use 10 in. blades designed for wood cutting.

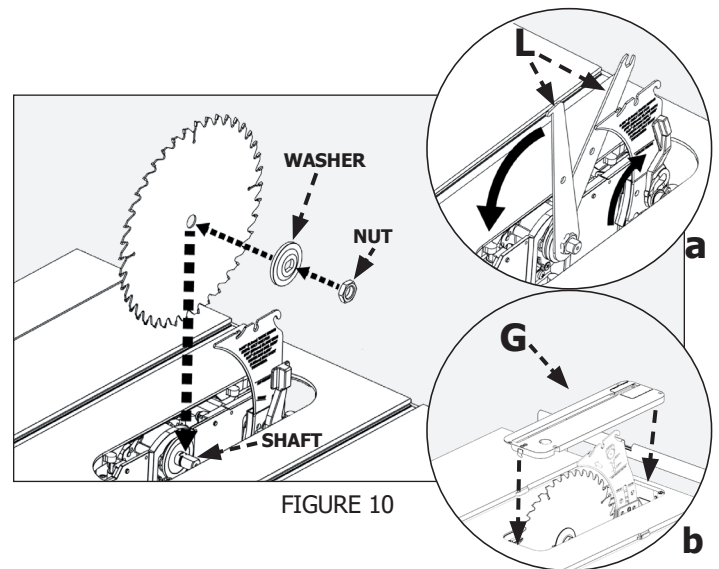


FIGURE 10

POSITION THE RIVING KNIFE

A riving knife is a flat plate that fits into the cut made by the saw blade (the "kerf"). It is intended to reduce the risk of kickback by holding the kerf open and lessening the tendency of the workpiece to pinch the blade.

⚠ WARNING: To reduce the risk of serious injury, The riving knife must be installed for every "thru cut" and for every "non-thru cut" unless the riving knife would interfere with the cut.

- The riving knife provided with the table saw shall be thicker than the body of the matching saw blades provided with the table saw but thinner than the kerf width of that saw blades.
- Always use a blade with the correct thickness to match the riving knife. (0.10" (2.6mm) min. kerf width and 0.073" (1.85mm) max body thickness)
- The riving knife must be securely positioned in the "up" or "thru cut" position when using the anti-kickback pawls and blade guard.
- Make sure the riving knife is properly aligned to the blade see Riving Knife Alignment section. Refer to FIGURE (11) & (12)

This saw is shipped with its riving knife (E) installed in the lowered or "non-thru cut" position. This riving knife matches the thickness of the blade that is shipped with your saw. To install the anti-kickback pawls and the blade guard assembly, first raise the riving knife from the lowered or "non-thru cut" position to the raised or "thru cut" position, as follows:

1. With the blade assembly to the highest possible position, carefully reach alongside the blade and raise the riving knife locking lever up to unlock the riving knife.
2. Gently move the riving knife to the right to release it from the lock pins in the riving knife assembly.
3. Slide the riving knife up and forward until you feel the lock pins engage the riving knife in the "thru cut" position. When properly aligned in this position, the "thru cut" position line on the riving knife will be parallel to and level with the table.
4. Return the riving knife lock lever to the lock position.
5. Make sure the riving knife is securely installed and properly aligned with the blade.

NOTE: For "non-thru cuts", lower the riving knife to the "non-thru cut" position using the same procedure. In this case the "non-thru cut" position line should be parallel to and level with the table.

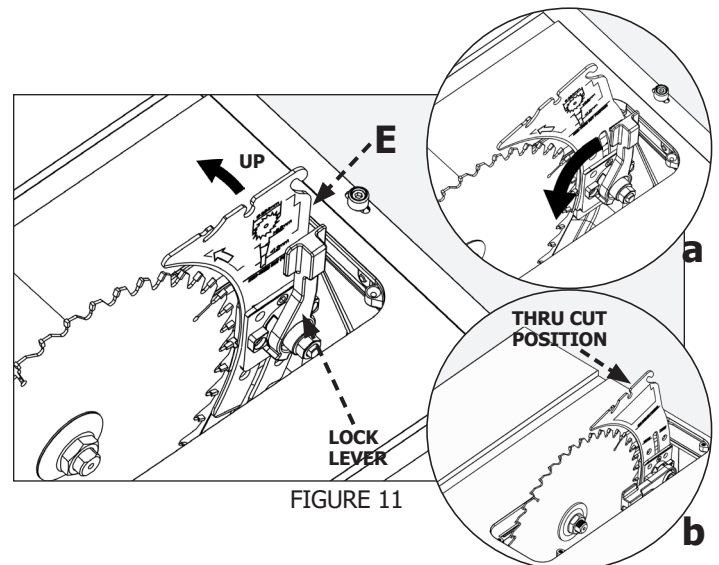


FIGURE 11

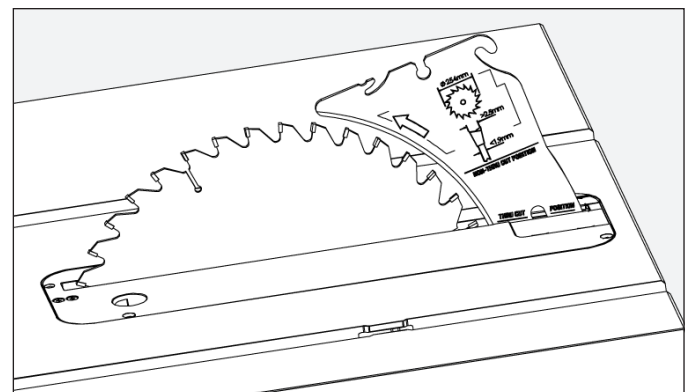


FIGURE 12

ASSEMBLY

INSERT AND LEVEL THROAT PLATE

Insert the rear tab of the throat plate (G) (the end with the wear plates) under the surface of the table, and snap the front end in place (FIGURE 13).

Check that the throat plate is properly adjusted to the table. Front of throat plate should be level or slightly below the surface of the table and rear of the throat plate should be level or slightly above the surface of the table (FIGURE 13).

If adjustment is needed, adjust the (4) Phillips set screws (FIGURE 14) up or down as needed. Repeat this process as needed until the throat plate is level.

To remove throat plate, lower blade below tabletop, then carefully slide the throat plate from out from the rear of the table to the front, keeping the blade centered within the slot on the throat plate.

⚠ WARNING: It is important that the throat plate is properly adjusted to the table. This ensures that the work piece is not caught on the throat plate or the table when feeding the work piece through the blade during a cut.

To remove throat plate, lower blade below tabletop, then carefully slide the throat plate from out from the rear of the table to the front, keeping the blade centered within the slot on the throat plate. (Fig. 14B)

NOTE: Zero clearance throat plate inserts are available online.

NOTE: No portion of table insert shall be above or more than 0,7 mm below the plane of the table top surface at the infeed side and no portion of the table insert is below or more than 0,7 mm above the plane of the table top at the out-feed side.

ANTI-KICKBACK PAWLS AND BLADE GUARD

Riving knife (E) must be in the through cut position prior to installation of the anti-kickback pawls (D) and blade guard (F). Insert the pawl assembly (D) into the middle slot on the riving knife (E) as shown in FIGURE 15 while pressing the spring-loaded pin on the right side of the pawl assembly. Once inserted, release the spring-loaded pin so that it pops back in to place (FIGURE 15). Ensure that it is locked in place.

To remove the anti-kickback pawls, depress the pin and pull the anti-kickback off the riving knife.

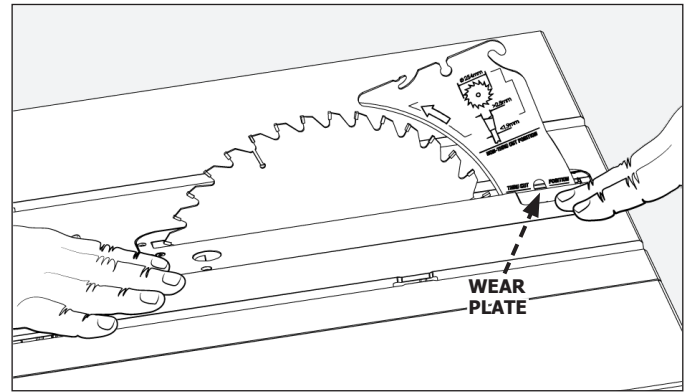


FIGURE 13

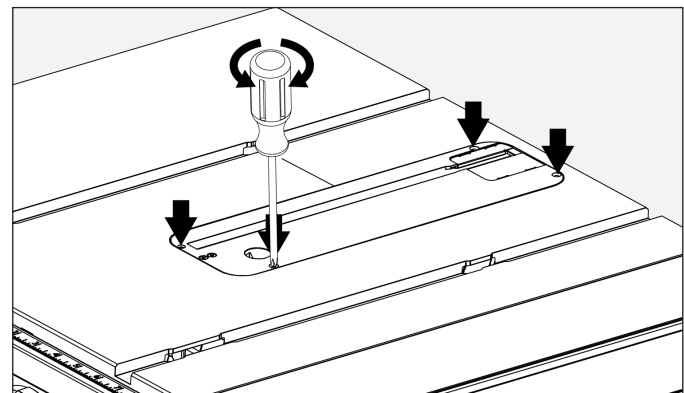


FIGURE 14

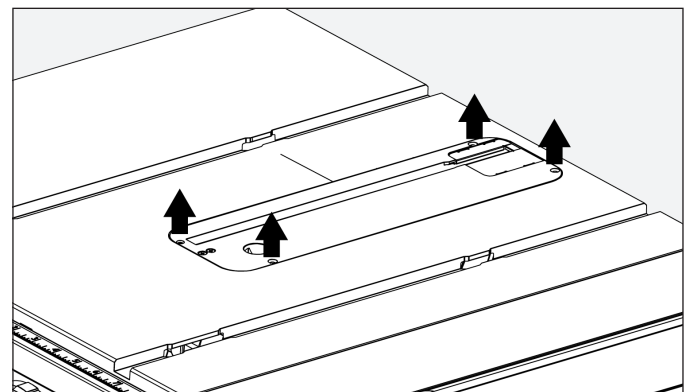


FIGURE 14b

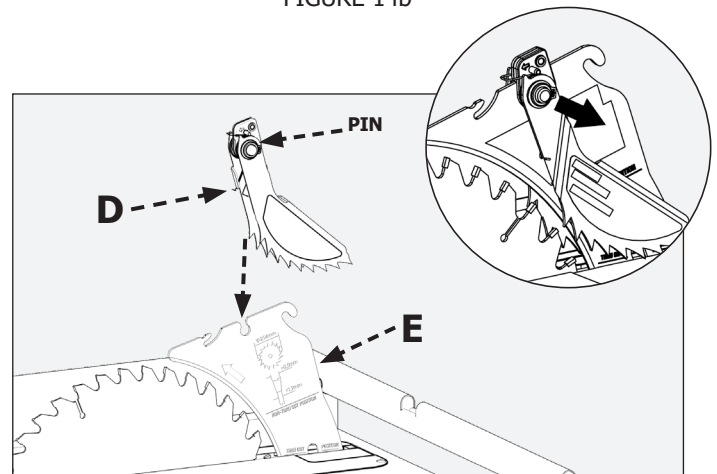


FIGURE 15

ASSEMBLY

While holding the blade guard assembly (F) in a vertical position, as shown in FIGURE 16, pull the blade guard assembly pin all the way up into the rear slot on the riving knife.

Rotate the blade guard assembly all the way down so that the arms are parallel to the table (FIGURE 16a). Then lock the blade guard in place by depressing the lock tab (FIGURE 16b).

To remove the blade guard assembly:

1. Lift the blade guard assembly lock lever (D) to the unlocked position.
2. Rotate the guard back and slide the pin (B) from the riving knife slot.

⚠ WARNING: Do not hold lock tab in the lock position while installing the blade guard.

⚠ WARNING: After engaging lock tab to lock blade guard in place pull up on arms to ensure guard is properly locked.

If blade guard is not parallel to table, riving knife is not in raised (through cut) position. Raise and lower each side of the blade guard to verify free movement of the guard system. Be sure the guard system can be raised enough to clear your workpiece.

Note: Blade alignment with riving knife can be adjusted. **See:**

Checking and Aligning Riving Knife and Saw Blade, page 25.

Check the blade guard for clearances and free movement.

Rip Fence

⚠ WARNING: Do not use rip fence and miter gauge at the same time without using a cut off block (gauge) as described in the Cutting Aids and Accessories section of this manual.

This saw is equipped with a three-position fence alignment system to allow for quick and accurate cuts. Depending on which type of cut is required use each of the three positions as listed below (FIGURE 17).

Note: All scales are used to measure the distance from the inner most surface of the fence, to the face of the blade. The scale should read zero as the fence is touching the blade and should increase as the table is extended and the fence is moved further away from the blade.

- Position 1 (P1): Uses the Blue scale for Left Rip Cuts of 0-15 inches. Use Ruler indicator (FIGURES 19 and 19a).
 - Position 2 (P2): Uses the White scale with black numbering for Right Rip Cuts of 0-18 inches. Use ruler indicator (FIGURE 17b).
 - Position 3 (P3): Uses the Black scale with white numbering for Right Rip Cuts of 10-28 inches. Use ruler indicator (FIGURE 18a).
1. Determine which position you will require using the table above.
 2. Lower the saddles on each end of the fence onto the fixed stops located on the table saw rail. (FIGURES 17a and 17b).
 3. Engage the fence lock located at the front of the fence (FIGURE 17).
 4. Determine which indicator you will require using the bulleted list above.
 5. Disengage (pull up) the table extension lock lever (FIGURE 20a).
 6. Position your fence at the required location by moving the sliding table extension.
 7. Engage (push down) the table extension lock lever (FIGURE 20a).

For thin materials use the fence on the left of the blade. Fold down the thin fence to allow use of blade guard. Subtract 2 inches from the scale for accurate measurement (FIGURE 19 B).

⚠ WARNING: Always engage the table extension lock before turning the saw on or making any cuts. Failure to do so can result in serious personal injury.

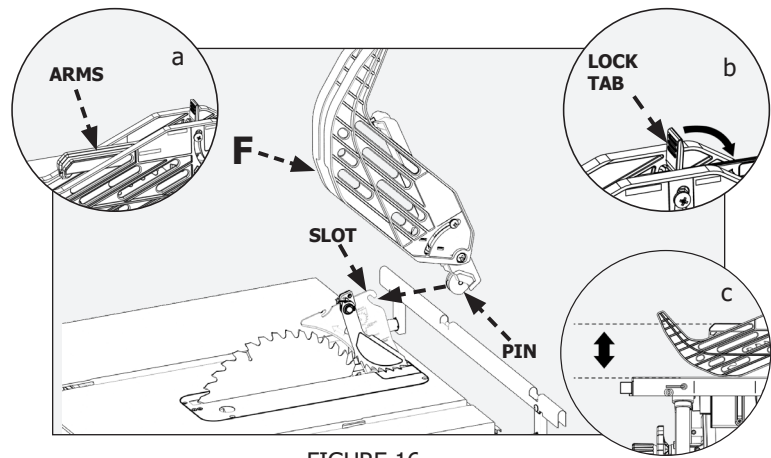


FIGURE 16

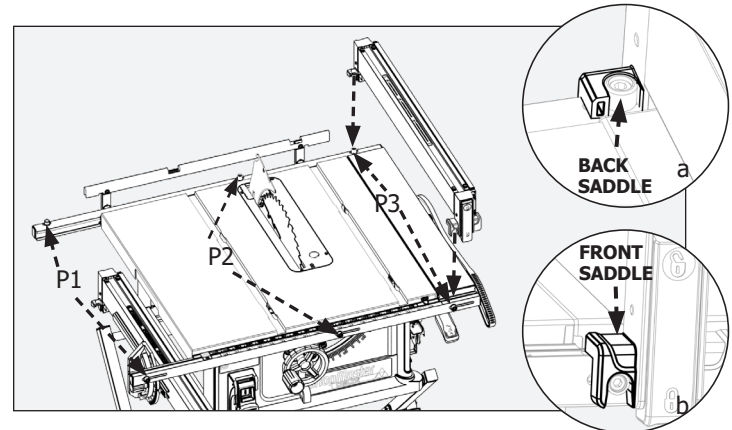


FIGURE 17

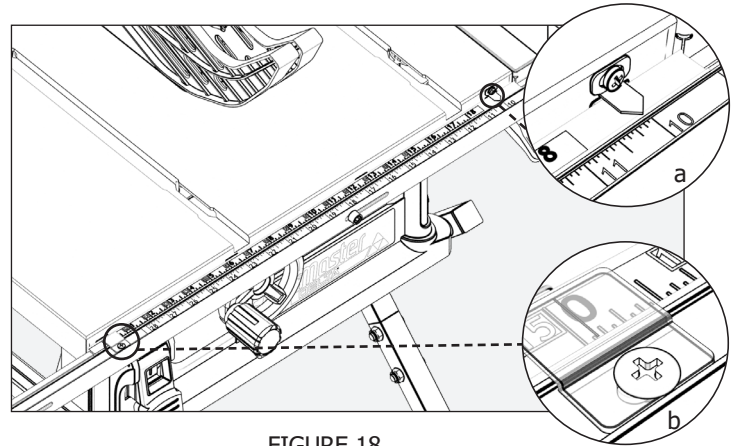


FIGURE 18

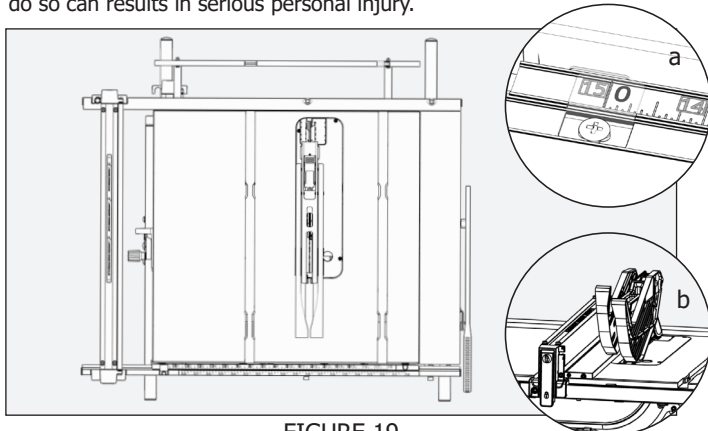


FIGURE 19

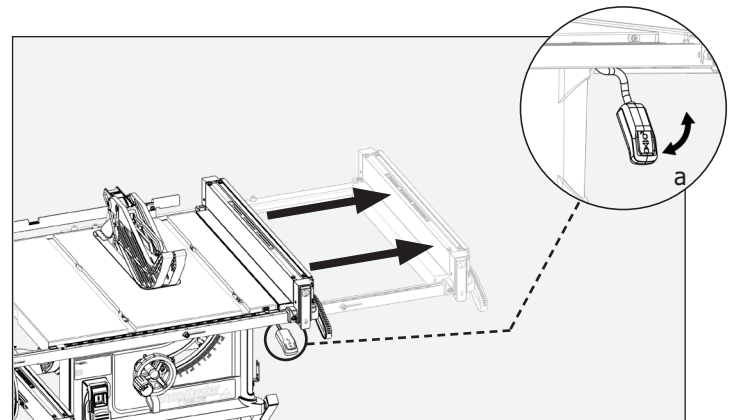


FIGURE 20

OPERATION

▲ WARNING: Failure to comply with the following warnings may result in serious personal injury.

READ ENTIRE MANUAL. In addition to reading these operating instructions, it is important to read and understand the entire manual before operating this saw. Follow all applicable instructions regarding assembly, preparation, and adjustment prior to making any cuts and comply with all safety rules and warnings in this section and elsewhere throughout this manual.

EACH TIME YOU USE THE SAW, RUN THROUGH THE FOLLOWING CHECKLIST:

- Are the power source and power connections adequate for the saw?
- Are the saw and work area free of clutter and by-standers?
- Is the blade tight and properly aligned?
- Does the riving knife thickness match the blade requirements?
- Are the blade and riving knife properly aligned?
- Is the operator qualified to make the cut and familiar with all of the relevant safety rules, warnings and instructions included in this manual?
- Is the operator and everyone in proximity to the saw wearing appropriate eye, hearing and respiratory equipment?
- Are the bevel angle and height adjustment knobs locked in the proper position?
- Is the blade set at the proper height?
- If ripping, is the rip fence parallel to the blade and securely locked in position?
- If crosscutting, is the miter gauge knob tight?
- If making through cuts with a standard blade, are the blade guard riving knife and anti-kickback pawls properly attached and properly functioning with both guards contacting the table surface?
- Is there proper clearance and support for the workpiece as it enters and leaves the blade?
- Are any cutting aids needed? If so, are they in place, or

within reach for proper use?

- The use of attachments and accessories not approved by the manufacturer may result in injury.
- Replace or sharpen the anti-kickback pawls when the points become dull.
- Make sure saw is stable and cut can be accomplished without tipping the saw.
- Never use fence and miter gauge together without using a cut off block (gauge) as described in the Cutting Aids and Accessories section of this manual.
- The proper throat plate must be in place at all times.
- If your saw makes an unfamiliar noise or if it vibrates excessively, cease operating immediately until the source has been located and the problem corrected.
- Never perform freehand cutting, plunge cutting, re-sawing or cove cutting.

AVOID KICKBACK

A kickback can occur when the workpiece pinches the blade, or binds between the saw blade and the rip fence or other fixed object. This can cause the workpiece to rise from the table and/or be thrown back toward the operator. See instructions for reducing the risk of kickback, in the Table Saw Safety Rules section of this manual.

IF KICKBACK OCCURS, turn the saw "OFF" and verify proper alignment of the blade, riving knife and miter gauge or rip fence, and the proper functioning of the riving knife, anti-kickback assembly and blade guard assembly before resuming work.

TURNING THE SAW ON AND OFF

The ON/OFF paddle switch is located on the left side of the front panel of the saw.

To turn the saw ON lift the switch. Press the switch down to turn the saw OFF (FIGURE 21).

When not in use, the saw should be turned off and the power switch locked out to prevent unauthorized use. To lock out power switch, use a standard long shackle lock, with a shackle that is at least 2-3/4" (70mm) long and no more than 9/32-inch (7mm) thick.

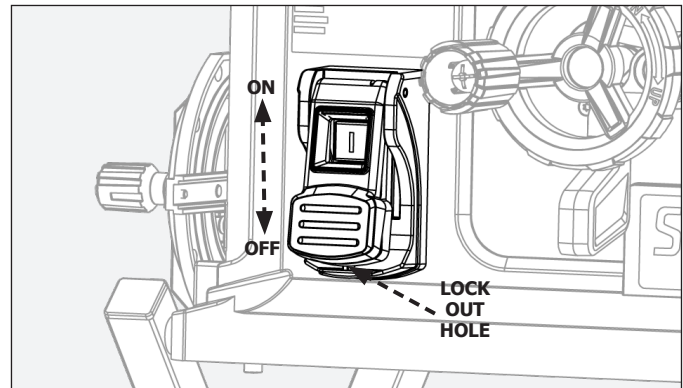


FIGURE 21

Dust Collection

1. Connect a shop vacuum or dust collection hose to dust port on back of saw for best dust collection.

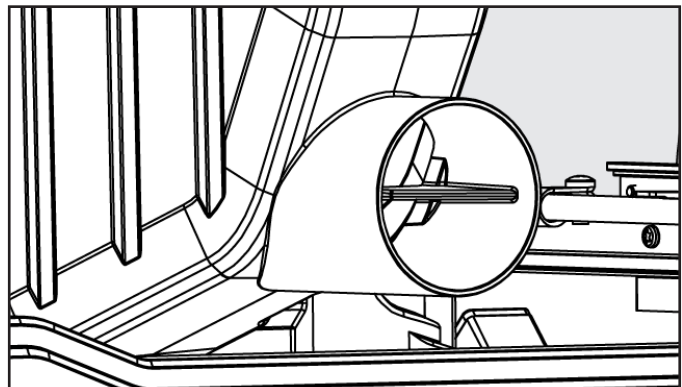


FIGURE 22

STORAGE

On-Board Storage

Storage is located on the right panel as shown in Examples 1 and 2.

C. Push Stick

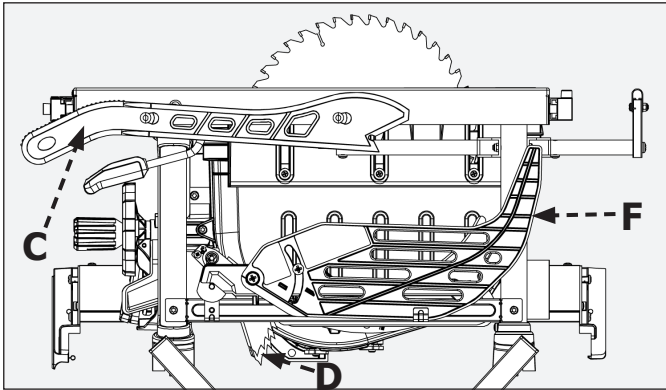
F. Blade Guard

B. Rip Fence

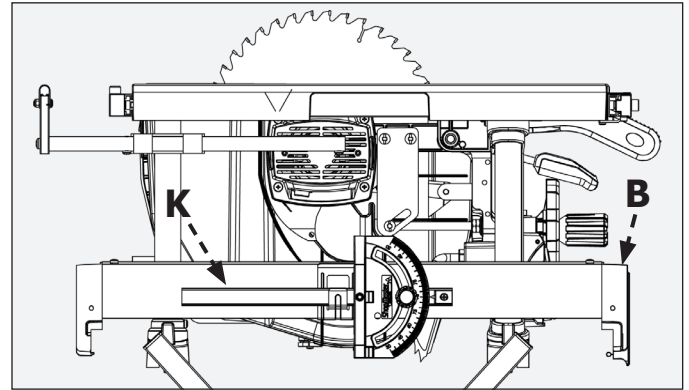
E. Riving Knife (Behind Blade Guard)

D. Anti-Kickback Pawls

K. Miter Gauge



EXAMPLE 1



EXAMPLE 2

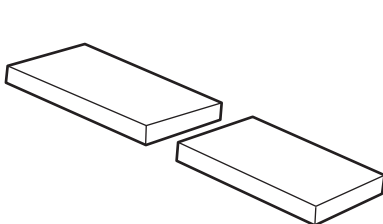
MAKING CUTS

⚠ WARNING: Failure to comply with the following warnings may result in serious personal injury.

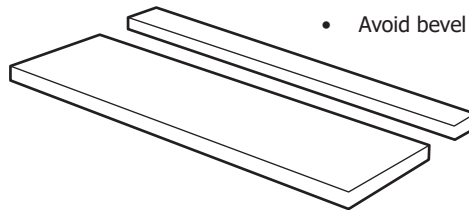
- Never touch the free end of the workpiece or a free piece that is cut off, while the power is on and/or the saw blade is rotating. Blade contact or binding may occur, resulting in a thrown workpiece
- When sawing a long workpiece or a panel, use a work support, such as a sawhorse, rollers or outfeed table at the same height as the table surface of the saw.
- Never try to pull the workpiece back with the blade turning. If you need to pull the workpiece back or lift it off the table, turn the switch off, allow the blade to stop, raise the anti-kickback teeth on each side of the riving knife if necessary, and slide the workpiece out.
- Before connecting the table saw to the power source or operating the saw, always inspect the blade guard assembly and riving knife for proper alignment and clearance with saw blade. Check alignment after each change of beveling angle.
- A rip fence should **ALWAYS** be used for ripping operations to prevent loss of control and personal injury. Always lock the fence to the rail. **NEVER** perform a ripping operation freehand.
- When making bevel cuts, place the fence on the right side of the blade so that the blade is tilted away from the fence and hands. Keep hands clear of the blade and use a push stick to feed the workpiece unless the workpiece is large enough to allow you to hold it more than 6 inches (152 mm) from the blade.
- Before leaving the saw unattended, lock out power switch, or take other appropriate measures to prevent unauthorized use of the saw.
- This saw is designed to cut wood, plywood, composite decking material, and certain plastics when using the correct blade.
- **DO NOT** use this saw for cutting metal, tile or other materials not listed on your blade.

⚠ WARNING:

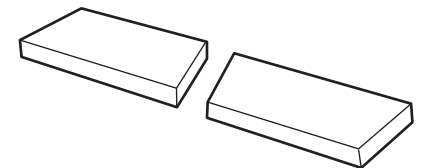
- Always make sure the blade guard and anti-kickback pawls are in place and working properly when making these cuts to avoid possible injury.
- Do not use blades rated less than the speed of this tool. Failure to heed this warning could result in personal injury.
- To avoid kickback, make sure one side of the workpiece is securely against the rip fence during any rip cut, and hold the workpiece firmly against the miter gauge during any miter cut.
- Do not attempt compound miter cuts, with blade beveled and miter fence angled, until you are thoroughly familiar with the basic cuts and understand how to avoid kickback.
- Avoid bevel rip cuts with majority of material on left side of blade.



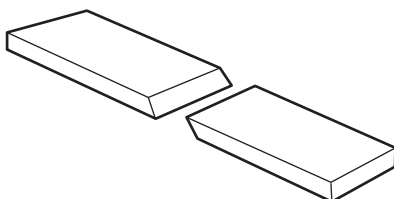
Cross Cut



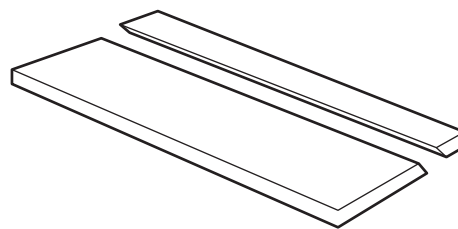
Rip Cut



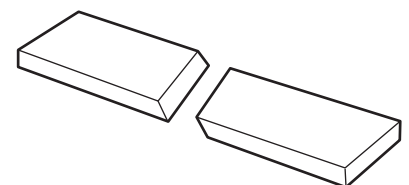
Mitered Crosscut



Beveled Cross Cut



Beveled Rip Cut



Compound Miter Cut

MAKING CUTS

RIP CUTS

- Rip cutting: Rip cutting is performed predominantly in a parallel direction with the grain of the wood.
 - Make sure blade is parallel to miter gauge slot prior to cutting. Instructions for adjustment on page 20.
1. Remove miter gauge.
 2. Make sure bevel angle is set to 0° .
 3. Set blade to correct height for workpiece.
 4. Install rip fence and lock it down parallel with and at desired distance from blade.
 5. Keep fingers at least 6 inches from the blade at all times. When the hand cannot be safely put between the blade and the rip fence, select a larger workpiece, or use a push stick and other cutting aids, as needed, to control the workpiece.
 6. Make sure the workpiece is clear of the blade (at least 1 inch or 25mm away) before starting the saw.
 7. Turn saw on.
 8. Hold the workpiece flat on the table and against the fence (A). The workpiece must have a straight edge against the fence and must not be warped, twisted or bowed. See proper hand position in (FIGURE 23).
 9. Let blade build up to full speed before moving workpiece into the blade.
 10. Both hands can be used while starting the cut as long as hands remain 6 inches from the blade.
 11. Keep the workpiece against the table and fence and slowly feed the workpiece rearward all the way through the saw blade. Do not overload the motor by forcing the workpiece into the blade.
 12. Use the push stick and any other cutting aids, as needed, to hold the workpiece against the table and fence, and push the workpiece past the blade. A push stick is included with this saw, and instructions are included to make additional push sticks and other cutting aids.
 13. Do not push or hold onto the free or cut-off side of the workpiece.
 14. Continue pushing the workpiece until it is clear of the blade. Do not overload the motor by forcing the workpiece into the blade.
 15. When cut is complete, turn saw off. Wait for blade to come to a complete stop before removing workpiece from table.

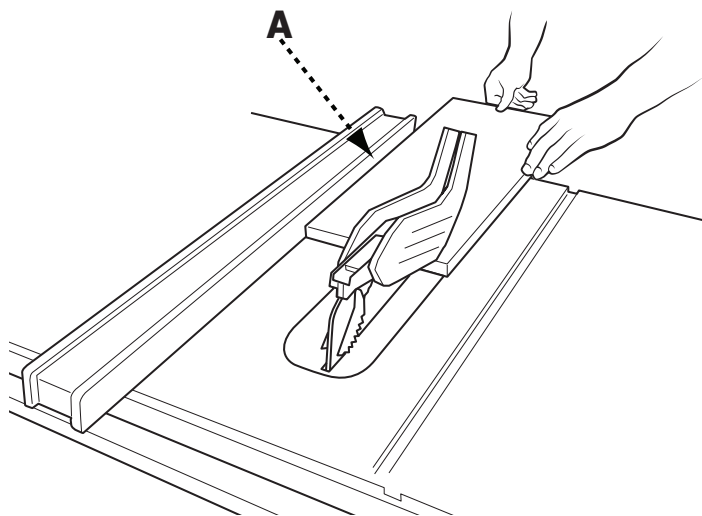


FIGURE 23

BEVEL RIPPING

Bevel ripping is the same as ripping except the bevel angle (A) is set to an angle other than 0° . When making a bevel rip cut, place the fence on the right side of the blade so that the blade is tilted away from the fence and hands.(FIGURE 24).

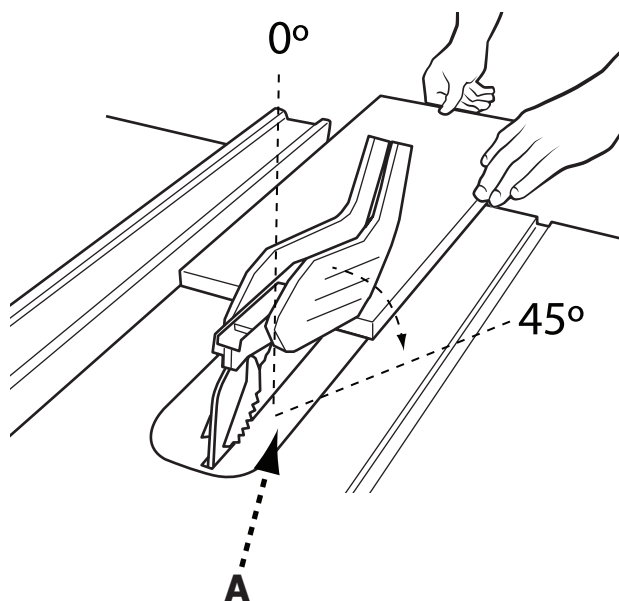


FIGURE 24

MAKING CUTS

CROSSCUTTING

- Cross cutting: Cross cutting is performed predominantly in a perpendicular direction with the grain of the wood.
 - Make sure blade is parallel to miter gauge slot prior to cutting. Instructions for adjustment on page 20.
 - **NEVER** use the fence as a guide or length stop when crosscutting.
 - The cut-off piece must never be confined in any through-sawing (cutting completely through the workpiece) operation—to prevent pinching blade which may result in a thrown workpiece and possibly injury.
 - When using a block as a cut-off gauge, the block must be at least $\frac{3}{4}$ -inch (19mm) thick. It is very important that the rear end of the block be secured in a position where the workpiece is clear of the block before it enters the blade to prevent binding of the workpiece.
7. Make sure the workpiece is clear of the blade - at least 1 inch or 25mm away - before starting the saw.
 8. Turn saw on.
 9. Let blade build up to full speed before moving workpiece into the blade.
 10. Hand closest to blade should be placed on miter gauge lock knob and hand farthest from blade should hold workpiece firmly against the miter gauge face. Do not push or hold onto the free or cut-off side of the workpiece.
 11. Slowly feed the workpiece rearward all the way through the saw blade. Do not overload the motor by forcing the workpiece into the blade.
 12. When cut is complete, turn saw off. Wait for blade to come to a complete stop before removing cut off piece from table.

You can use the miter gauge in either table slot on non-bevel cuts. To increase surface area of miter gauge face, add an auxiliary face (See Cutting Aids section on of this manual.)

TO MAKE A CROSSCUT, REFER TO FIGURE 25 AND FOLLOW THIS PROCESS:

1. Remove rip fence.
2. Make sure bevel angle is set to 0° .
3. Set blade to correct height for workpiece.
4. Place miter gauge in either miter slot.
5. Set miter gauge to 90° and tighten miter gauge lock knob.
6. Hands must remain at least 6 inches from blade throughout entire cut. If workpiece is too small to keep hands at least 6 inches away from the blade, select a larger workpiece, or attach an auxiliary face to the miter gauge and attach workpiece to auxiliary face, For instructions about making auxiliary faces, see Cutting Aids section of this manual.

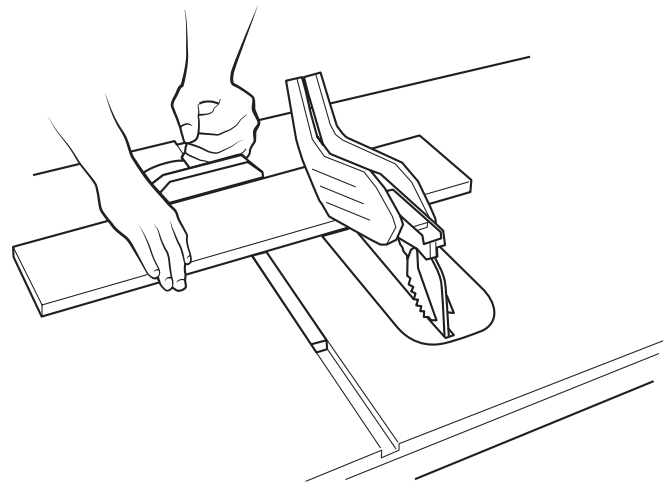


FIGURE 25

BEVEL CROSSCUTTING

Bevel crosscutting is the same as crosscutting except the bevel angle (A) is set to an angle other than 0° . When making a bevel crosscut, place the miter gauge in the right miter slot so that the blade is tilted away from the gauge and hands (FIGURE 25).

MITER CROSSCUTTING

Miter crosscutting is the same as crosscutting except the miter angle (B) is set to an angle other than 90° (FIGURE 26).

⚠ WARNING:

- Miter angles more than 45° may force the blade guard assembly into the saw blade causing damage to the blade guard assembly and personal injury. Before starting the motor, test the operation by feeding the workpiece into the blade guard assembly. If the blade guard assembly contacts the blade, place the workpiece under the blade guard assembly but not touching the blade - before starting the motor.
- Certain workpiece shapes, such as molding may not lift the blade guard assembly properly. With the power off,

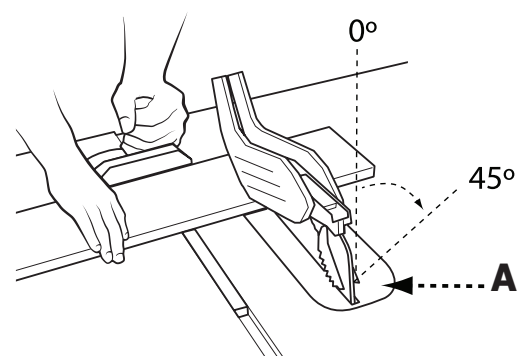


FIGURE 26

feed the workpiece slowly into the blade guard area and until the workpiece touches the blade. If the blade guard assembly contacts the blade, place the workpiece under the blade guard assembly - but not touching the blade - before starting the motor.

MAKING CUTS

COMPOUND MITER CUTS

This is a combination of bevel crosscutting and mitering. Refer to FIGURE 27 and follow the instructions for both bevel crosscutting and mitering. Remember to use the right miter slot on the right side of the blade for all bevel cuts.

LARGE PANEL CUTS

Place workpiece supports at the same height as the saw table behind saw to support the cut workpiece, and alongside of saw, as needed. Depending on shape of panel, use rip fence or miter gauge to control workpiece. If a workpiece is too large to use either a rip fence or a miter gauge, it is too large for this saw.

NON-THROUGH CUTS

The use of a non-through cut is essential to cutting grooves, and rabbets. Non-through cuts can be made using a standard blade having a diameter of 10 inches. Non-through cuts are the only type of cuts that should be made without the blade guard assembly installed. Make sure the blade guard assembly is reinstalled upon completion of this type of cut.

▲ WARNING:

- When making non-through cuts, follow all applicable warnings and instructions listed below in addition to those listed above for the relevant through cut.
- When making a non-through cut, blade is covered by workpiece during most of cut. Be alert to exposed blade at start and finish of every cut.
- Never feed wood with hands when making any non-through cuts such as rabbets or grooves. Always use miter gauge, push blocks or push sticks, and featherboards where appropriate.
- In addition to this section, read the appropriate section which describes the type of through or cut. For example, if your non-through cut is a straight cross cut, read and understand the section on straight cross cuts before proceeding.
- Once all non-through cuts are completed, unplug saw and return riving knife to through cut position. Install anti-kickback pawls and blade guard.
- Carefully follow the instructions accompanying any specialized blades for proper installation, set up and operation.

HEELING (PARALLELING) BLADE TO MITER GAUGE GROOVE

- Blade (A) must be parallel to miter gauge groove so that wood does not bind, resulting in kickback. Failure to do so could result in serious personal injury.
- To reduce risk of injury from kickback, align rip fence to blade (A) following any blade adjustments.

DO NOT loosen any screws for this adjustment until alignment has been checked with a square to be sure adjustments are necessary. Once screws are loosened, items **must** be reset.

Note: Unplug saw. Remove blade guard and anti-kickback pawls. Raise the blade (A) by turning height adjusting wheel.

1. Mark beside one of blade teeth at front of blade (A). Place a combination square even with front of saw table and side of saw blade (A) as shown.
2. Turn blade (A) so that marked tooth is at back. Move combination square to the rear and again measure the distance. If the distances are the same, blade (A) is square.

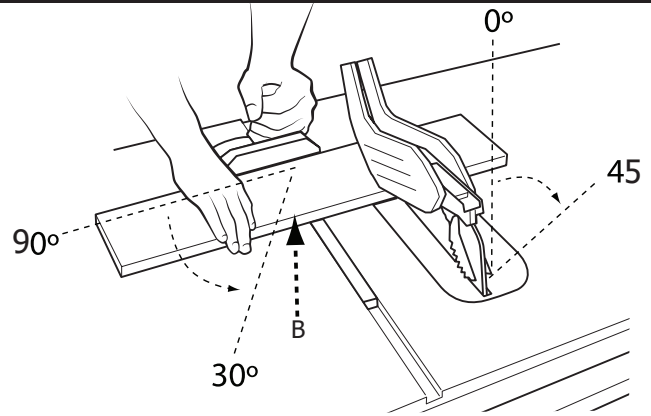
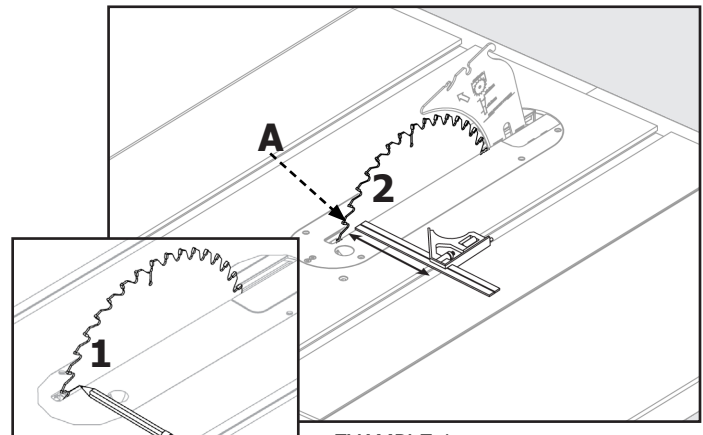


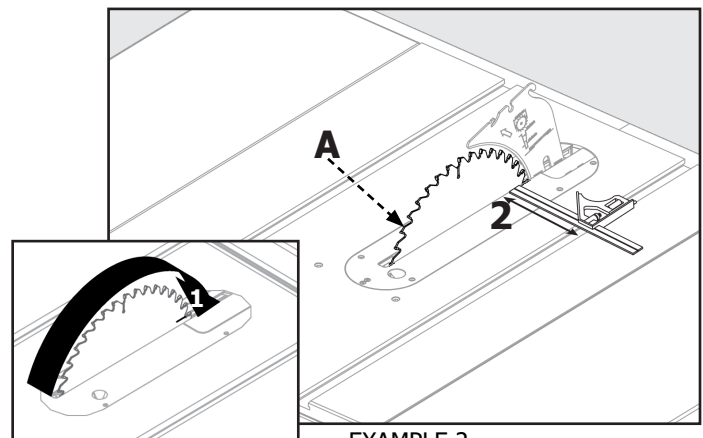
FIGURE 27

MAKING A NON-THROUGH CUT

1. Unplug saw.
2. Unlock bevel lock.
3. Adjust bevel angle to 0°.
4. Lock bevel lock.
5. Remove blade guard and anti-kickback pawls.
6. Place riving knife in "lowered" position. (See RIVING KNIFE ADJUSTMENT Section).
7. Set blade to correct depth for workpiece.
8. Depending on shape and size of wood, use either rip fence or miter gauge.
9. Plug saw into power source and turn saw on.
10. Let blade build up to full speed before moving workpiece into blade.
11. Always use push blocks, push sticks, and/or featherboards when making non-through cuts to reduce the risk of serious injury.
12. When cut is made, turn saw off. Wait for blade to come to a complete stop before removing workpiece.
13. When cut is complete, re-adjust riving knife to position as detailed on page 13.



EXAMPLE 1



EXAMPLE 2

CUTTING AIDS AND ACCESSORIES

PUSH STICK

In order to operate your table saw safely, you must use a push stick whenever the size or shape of the workpiece would otherwise cause your hands to be within 6-inches (152mm) of the saw blade or other cutter. A push stick is included with this saw.

No special wood is needed to make additional pushsticks as long as it is sturdy and long enough with no knots, checks or cracks. A length of approximately 16 inches (400mm) is recommended with a notch that fits against the edge of the workpiece to prevent slipping. It's a good idea to have several push sticks of the same minimum length, 16 inches (400mm), with different size notches for different workpiece thicknesses.

The shape can vary to suit your own needs as long as it performs its intended function of keeping your hands away from the blade. Angling the notch so the push stick can be held at a 20 to 30-degree angle from the saw's table will help you to hold down the workplace while also moving the saw.

To construct a push stick, use layout in (FIGURE 28).

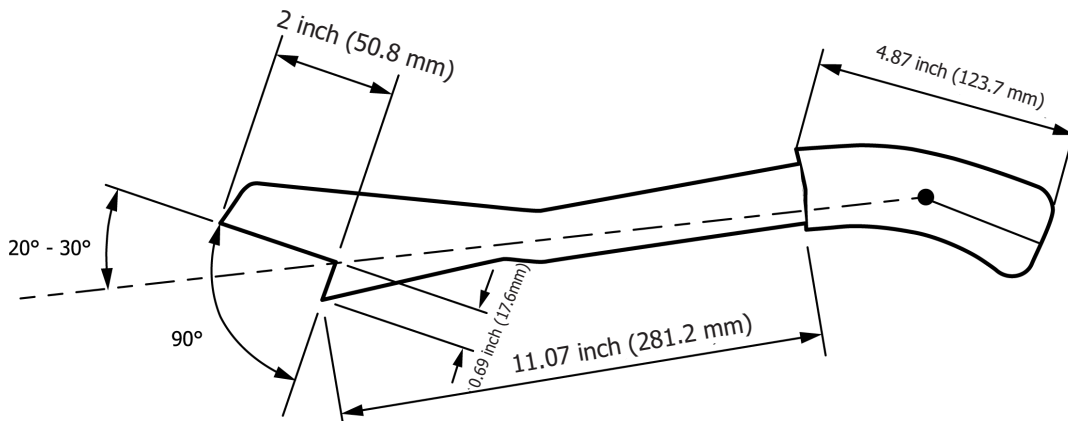


FIGURE 28

AUXILIARY MITER GAUGE FACING

An auxiliary miter gauge facing is used to increase the surface area of the miter gauge face.

The use of miter gauge with auxiliary facing is the same as original miter gauge (without auxiliary facing). See page 24 for the use of miter gauge.

If desired, you can fit the miter gauge with an auxiliary wood facing that should be at least 1-inch (25mm) higher than the maximum depth of cut, and at least as wide as the miter gauge.

This auxiliary wood facing can be fastened to the front of the miter gauge by using (2) M6 or 1/4-20 flat head screws and nuts, placing the nuts into the slots provided in the face of the miter gauge body (FIGURE 29).

Make sure the screws are long enough to secure the facing.

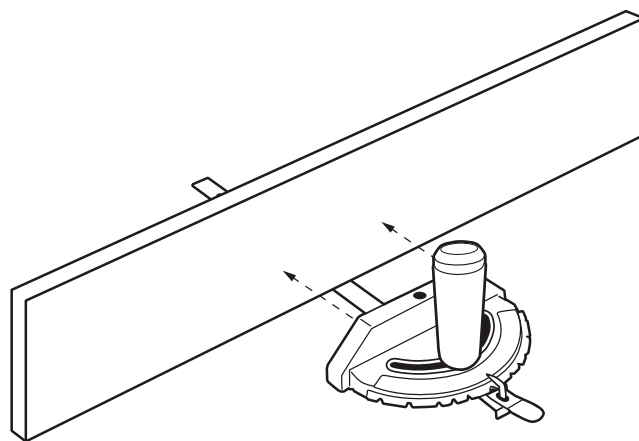


FIGURE 29

⚠ WARNING: Flat head must be recessed into face of board.

CUTTING AIDS AND ACCESSORIES

PUSH BLOCK

Push blocks are blocks used to securely hold down the workpiece against the table. They include some gripping surface or handle to hold the block. Any screws running through the underside of the block to fasten the handle should be recessed in order to avoid contact with the workpiece.

1. Select a piece of wood about 4-inches wide, 6-inches long and 1- to 2-inches thick (a cutoff from a 2 by 4 makes a good blank for a push block).
2. Drill a hole in the block and glue in a dowel to use as a handle (you can angle the hole to provide a more comfortable grip on the handle).
3. Glue a piece of rough or soft material such as sandpaper or rubber to the bottom of the block to grip the workpiece (old mouse pads work well). (FIGURE 30).

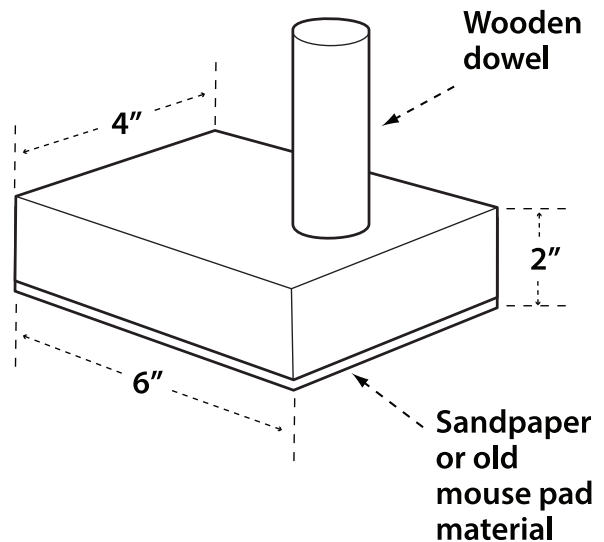


FIGURE 30

FEATHERBOARD

Featherboards are used to keep the workpiece in contact with the fence and table (FIGURE 31), and help prevent kickback. Featherboards are especially useful when ripping small workpieces and for completing non-through cuts. The end is angled with a series of narrow slots to give a friction hold on the workpiece. It is locked in place on the table or fence with a c-clamp. Clamping a featherboard in front of the blade can increase safety during non-through cuts, like grooving and rabbeting, and through cuts.

⚠ WARNING: TO AVOID BINDING BETWEEN THE WORKPIECE AND THE BLADE, MAKE SURE A HORIZONTAL FEATHER BOARD PASSES ONLY ON THE UNCUT PORTION OF THE WORKPIECE IN FRONT OF THE BLADE.

Dimensions for making a typical featherboard are shown in (FIGURE 31). Make your featherboard from a straight piece of

wood that is free of knots and cracks. Clamp featherboards to the fence and/or table so that the featherboard will hold the workpiece against the fence or table.

1. Select a solid piece of lumber approximately $\frac{3}{4}$ -inch thick, 2 $\frac{1}{2}$ -inches wide and 12-inches long.
2. Mark the center width on one end of stock. Miter width to 70° (see miter cut section for information on miter cuts).
3. Set rip fence to allow approximately a $\frac{1}{4}$ -inch "finger" to be cut in the stock.
4. Feed stock only to mark previously made at 6 inches.
5. Turn saw off and allow blade to completely stop rotating before removing stock.
6. Reset rip fence and cut spaced rips into workpiece to allow approximately $\frac{1}{4}$ -inch fingers and $\frac{1}{8}$ -inch spaces between fingers.

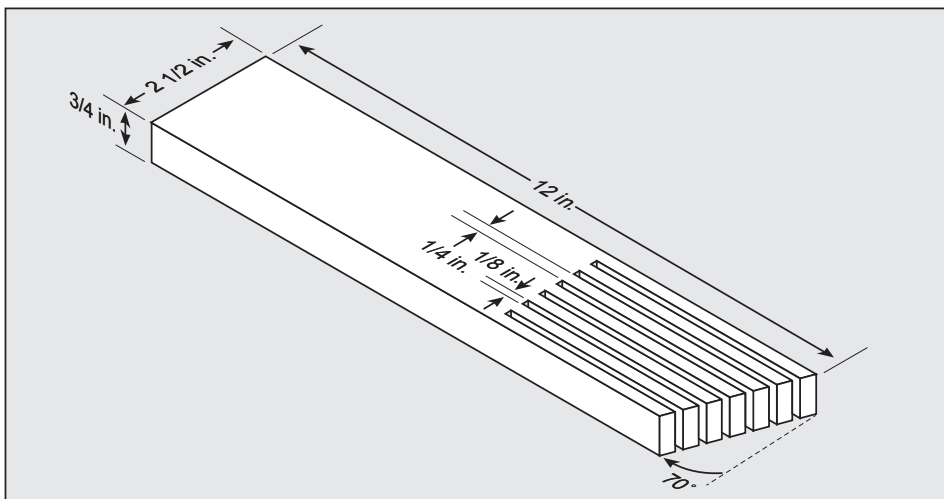


FIGURE 31A

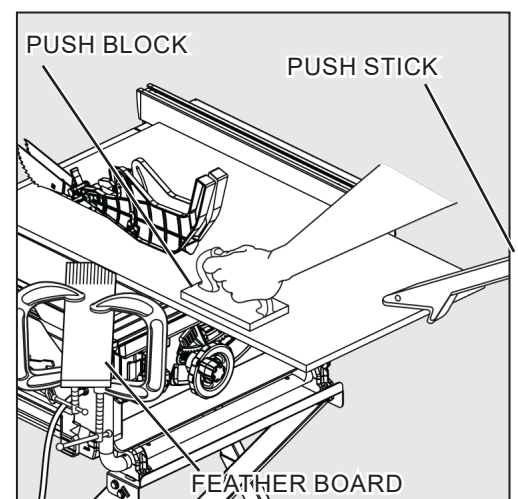


FIGURE 31B

CUTTING AIDS AND ACCESSORIES

CUT OFF GAUGE

When crosscutting a number of pieces to the same length, you can clamp a block of wood (A) (FIGURE 32) to the fence and use it as a cut-off gauge. The block (A) must be at least $\frac{3}{4}$ -inch (19 mm) thick to prevent the cut off piece from binding between the blade and the fence. Once the cut-off length is determined, lock the fence and use the miter gauge to feed the workpiece into the blade.

CAUTION: Always position the entire cut-off gauge in front of the saw blade.

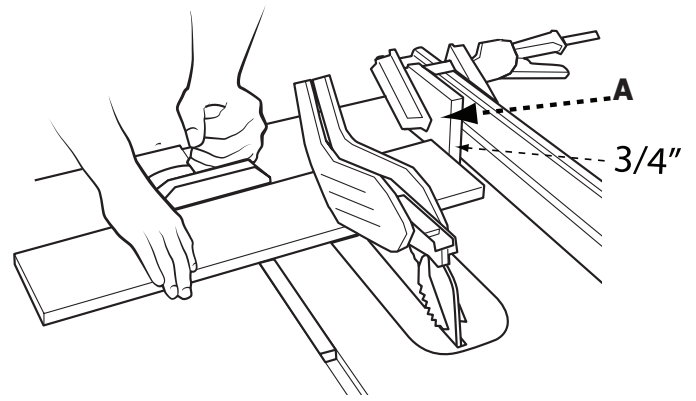


FIGURE 32

JIGS

Jigs may be created with a variety of special set-ups to control particular workpiece shapes for particular cuts. Guidance on how to make specialized jigs can be found in woodworking and carpentry websites and publications.

CAUTION: DO NOT ATTEMPT TO CREATE OR USE A JIG UNLESS YOU ARE THOROUGHLY FAMILIAR WITH TABLE SAW SAFETY. DO NOT USE ANY JIG THAT COULD RESULT IN PINCHING A KERF OR JAMMING THE WORKPIECE BETWEEN THE JIG AND THE BLADE. INCORRECT SETUPS MAY CAUSE KICKBACK WHICH COULD RESULT IN SERIOUS INJURY.

MAKING ADJUSTMENTS

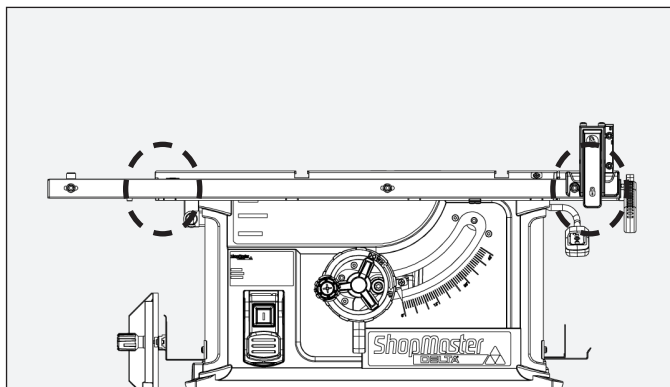
LEVELING THE THROAT PLATE

Check that the throat plate is properly adjusted to the table. Front of throat plate should be level or slightly below the surface of the table and rear of the throat plate should be level or slightly above the surface of the table (FIGURE 13).

There are four Phillips set screws pre-assembled to the table that are used to level the throat plate (FIGURE 14). If the throat plate is not flush with the surface of the table, adjust these screws to ensure the entire throat plate is flush with the table (FIGURE 14).

MOVING THE SAW

To move the saw firmly grasp the left and right side of the table. Lift the saw and move to desired location. See example.



Example

CHANGING THE BEVEL

Unlock the bevel lock lever by pulling it into the up (horizontal) position. Holding the height adjustment wheel, slide the bevel indicator to the desired angle. When the blade is at desired angle, lock the bevel lock lever by pushing it down (vertical).

NOTE: For lock and unlock positions see FIGURE 34.

MAKING ADJUSTMENTS

ADJUSTING THE BEVEL STOPS

Adjustment to the bevel stops may be required if the blade is not vertically square to the table when bevel adjustment is set at 0° or does not go to 45° when bevel is tilted to 45°, maximum 45°.

Corrective adjustments can be made by adjusting the bevel stop cams at each end of the bevel track as follows; If the blade is not vertically square to the table, you must adjust the 0° bevel stop cam (FIGURE 33).

1. Unlock the bevel lock lever and position the height adjustment wheel/bevel lock assembly to the right in order to gain access to the 0° bevel stop cam.
2. Loosen the cap screw that locks the 0° bevel stop cam in place (center of the cam). As shown in FIGURE 33
3. Move the height adjustment wheel/bevel lock assembly to the 0° bevel stop cam making sure that height adjustment wheel/bevel lock assembly is in contact with the 0° bevel stop cam. Check blade squareness to table with combination square, rotate bevel stop cam as needed until blade is properly square to the table.
4. Tighten the cap screw that locks the bevel stop cam in place. Recheck to verify that blade is square to table. Readjust as needed.

If blade does not check at 45° to the table when tilted to the 45° bevel stop cam, follow steps 1-4 by adjusting the 45° bevel stop cam using the 45° side of the combination square (FIGURE 34).

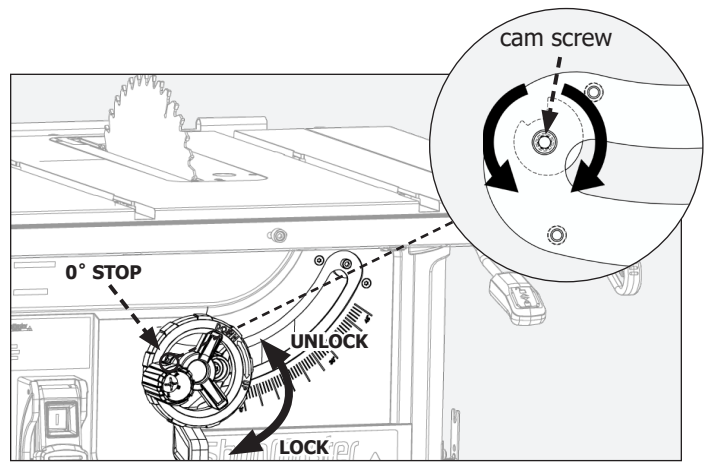


FIGURE 33

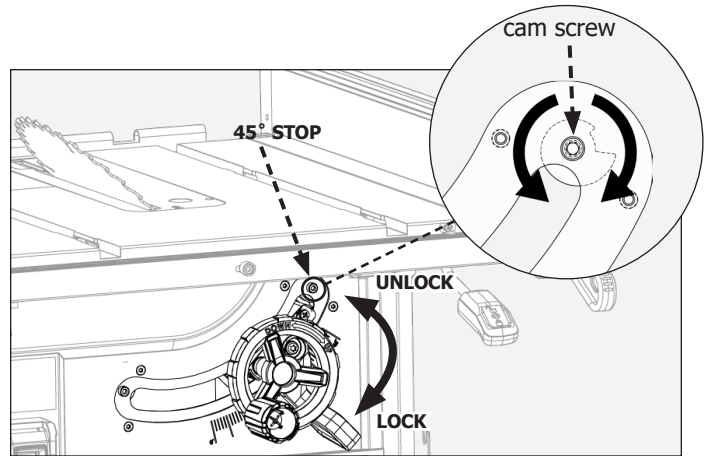


FIGURE 34

ADJUSTING THE BLADE HEIGHT

For all through cuts, the top of the blade points should be above the workpiece and the bottom of the blade gullets are below the top surface of workpiece.

For non-through cuts, the top of the blade points should be set to the depth of the cut.

To adjust the height of the blade, refer to FIGURE 35 and do the following:

Make sure the bevel lock lever is in the locked (down) position.

Adjust the blade height by turning the height adjustment wheel. Clockwise will raise the blade and counterclockwise lowers it.

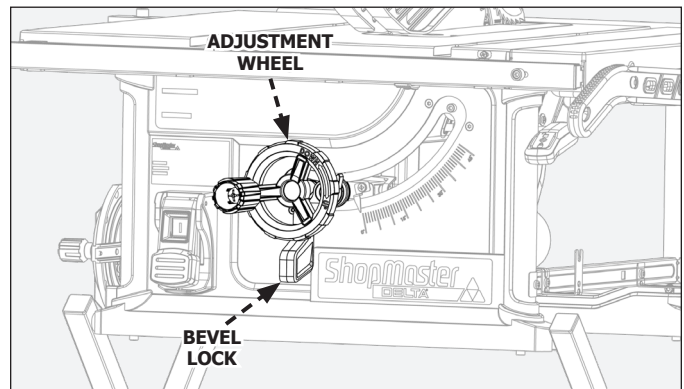


FIGURE 35

USING THE MITER GAUGE

There are two miter gauge grooves, on either side of blade, maximum 30°. When making a 90° cross cut, use either groove. For beveled cross cut use the groove on right so that the blade is tilted away from the miter gauge (G) and hands (FIGURE 36).

To adjust miter angle loosen the miter gauge lock knob. Rotate the gauge until desired angle on scale is reached. Tighten knob.

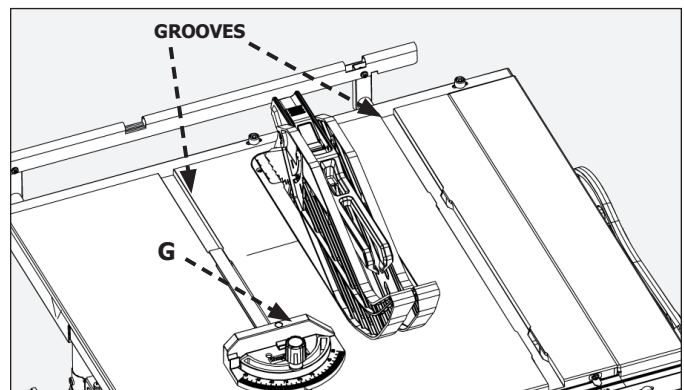


FIGURE 36

RIVING KNIFE ADJUSTMENT

RIVING KNIFE HEIGHT ADJUSTMENT AND ALIGNMENT

To change the position of the riving knife, remove the throat plate then raise the blade assembly to the highest position by turning the height adjustment wheel clockwise on the front of the saw.

To adjust the riving knife from one position to the other (through cut/non-through cut) raise the riving knife lock lever to the up position to unlock the riving knife (FIGURE 37). Next, gently move the riving knife to the right to disengage from the lock pins in the riving knife lock assembly, then slide up and forward for through cut or down and back for non-through cut until you feel the lock pins engage the riving knife (FIGURE 37). Riving knife is marked with through cut and non-through cut position that align with the table surface when in the correct position. Push the riving knife lock lever down to lock the riving knife in place as shown in FIGURE 36a. Riving knife assembly should appear as shown in FIGURE 37b.

Once riving knife is properly adjusted, re-insert throat plate (FIGURE 13).

⚠ WARNING:

- Verify riving knife is secure and in line with the blade.

RIVING KNIFE ALIGNMENT

Your riving knife may be out of alignment if your work piece is hitting the riving knife after the cut or causing some binding during the cut. When this condition occurs you will need to make an adjustment to the riving knife alignment. The following procedures in this section will assist you with making adjustments to the riving knife alignment.

Locating point for "THRU" CUT POSITION as shown in FIGURE 38. (Customer should adjust the riving knife in this position when making "THRU" cuts).

NOTE: You must locate the riving knife in this position prior to making any alignment adjustments to the riving knife alignment of the blade.

If a parallel adjustment is required, use FIGURE 38 and FIGURE 39 to make the following adjustments:

1. Loosen the 2 hex socket head screws (AA).
2. Tighten or loosen the adjustment screw (BB1) to adjust the datum line if the riving knife to be aligned to the blade.
3. Adjust set screw (BB2) and (BB3), to assist with alignment of the riving knife to be parallel to the blade.
4. Tighten hex socket head screws (AA).

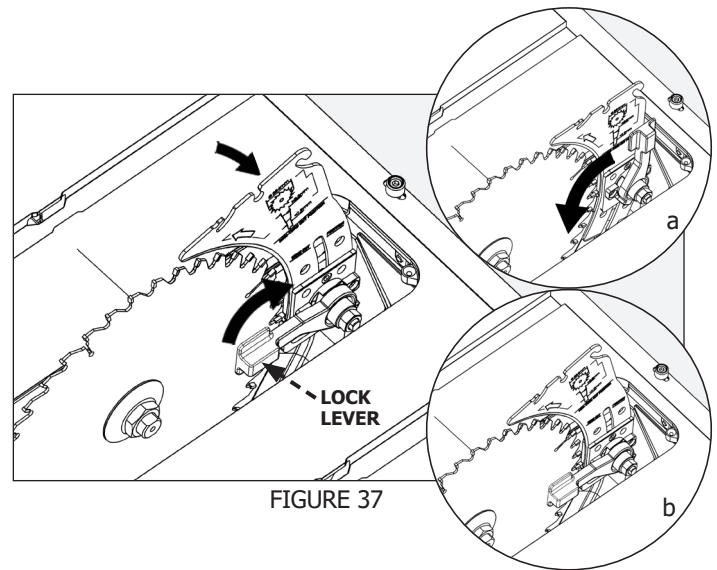


FIGURE 37

⚠ WARNING:

- Be sure to reinstall blade guard assembly, anti-kickback pawls when riving knife is in the through cut position.

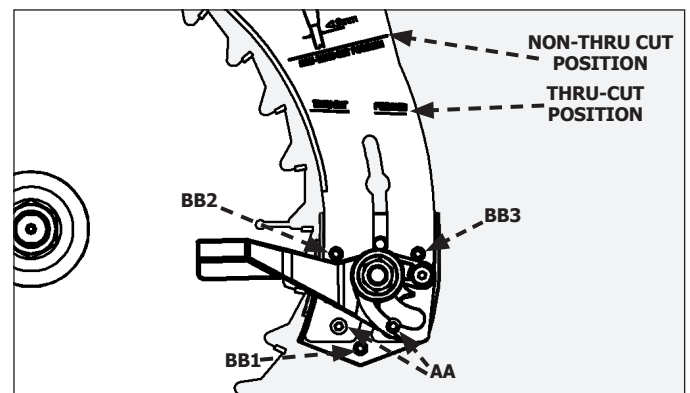


FIGURE 38

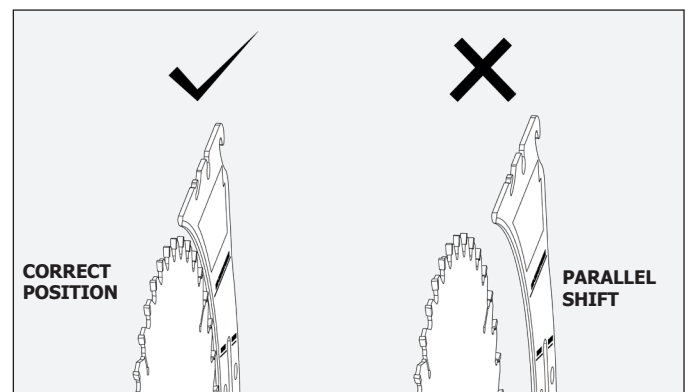


FIGURE 39

RIVING KNIFE ALIGNMENT

If the riving knife has vertical misalignment, adjust as follows using FIGURE 38 and FIGURE 40:

1. Loosen the 2 hex socket head screws (AA).
2. Make adjustments to (BB2) and (BB3), to align riving knife to the blade. No adjustment is needed for (BB1).
3. Tighten screws (AA).

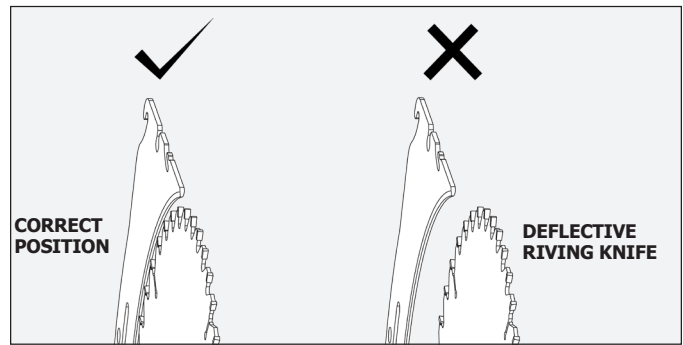


FIGURE 40

If the riving knife has horizontal misalignment, adjust as follows using FIGURE 38 and FIGURE 41:

1. Loosen the 2 hex socket head screws (AA).
2. Adjust screw (BB2) to align the riving knife to the blade, if still out of alignment then adjust (BB3) until proper alignment is achieved. Do not adjust (BB1).
3. Tighten screws (AA).

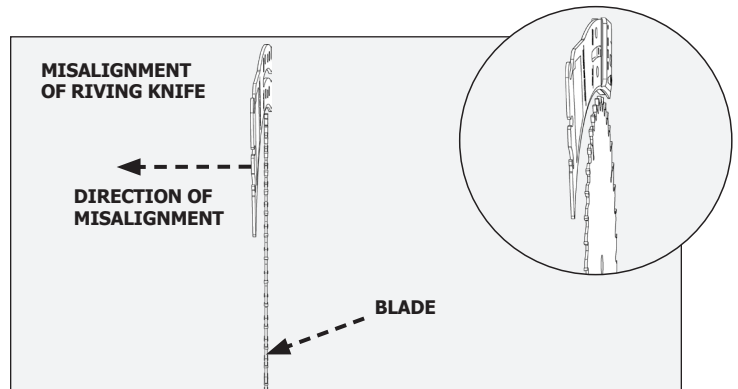


FIGURE 41

MAINTENANCE

⚠ WARNING: To reduce the risk of injury, turn unit off and disconnect it from power source before cleaning or servicing, before installing and removing accessories, before adjusting and when making repairs. An accidental start-up can cause injury.

KEEP MACHINE CLEAN

Periodically blow out all air passages with dry compressed air. For best performance use a shop vacuum or blower to keep saw blade area, the dust collection system, the guarding system and rails free of saw dust and other debris. All plastic parts should be cleaned with a soft damp cloth. **NEVER** use solvents to clean plastic parts. They could possibly dissolve or otherwise damage the material.

⚠ WARNING: Wear certified safety equipment for eye, hearing and respiratory protection while using compressed air.

MAINTENANCE REMINDERS

⚠ WARNING:

Wear certified safety equipment for eye, hearing and respiratory protection while using compressed air. Gloves are recommended when changing blades. Specific areas which require regular maintenance include:

RIVING KNIFE CLAMP PLATE: Keep this area free of dust and debris buildup. Blow out area regularly with compressed air.

NOTE: If the riving knife clamp can't move freely, have the saw serviced by authorized service center personnel.

WORM GEARS: Keep the bevel gears free of dust and debris buildup. Blow out area regularly with compressed air. Use a lithium-based multipurpose grease as needed on these gears.

CLEAN SAWDUST BUILDUP OUT OF CABINET PERIODICALLY: **NOTE:** Debris can also be removed from the saw from below the throat plate, inside the dust port.

TROUBLESHOOTING

For assistance with your machine, visit our website at www.deltamachineryparts.com for a list of service centers or call Delta Power Equipment at 1-800-223-7278.

FAILURE TO START

If your machine fails to start, check to make sure the prongs on the cord plug are making good contact in the receptacle. Also, check for blown fuses or open circuit breakers in your power supply line. If the saw still does not start, call Company's Customer Care Center at 1-800-223-7278.

ACCESSORIES

For accessories please visit our website www.shopmastermachinery.com for an on-line catalog or for the name of your nearest supplier.

⚠ WARNING: Since accessories other than those offered by DELTA® have not been tested with this product, use of such accessories could be hazardous. For safest operation, only DELTA® /SHOPMASTER recommended accessories should be used with this product.

PARTS, SERVICE OR WARRANTY ASSISTANCE

All SHOPMASTER Machines and accessories are manufactured to high quality standards and are serviced by a network of DELTA® Authorized Service Centers. To obtain additional information regarding your product or to obtain parts, service, warranty assistance, or the location of the nearest service center, please call 1-800-223-7278.

THREE YEAR LIMITED WARRANTY

WHAT IS COVERED. Delta Power Equipment Corporation ("Company") will, at its option, repair or replace this SHOPMASTER product, if purchased at retail in the United States or Canada and the product, with normal use, has proven to be defective in workmanship or material, subject to the conditions stated in this Limited Warranty. This Limited Warranty covers only materials and labor. All transportation costs are Customer's responsibility.

WARRANTY PERIOD. All warranty claims must be submitted within three years from the date of retail purchase. For all service parts and factory refurbished SHOPMASTER products, the warranty period is 180 days.

HOW TO OBTAIN SERVICE. To obtain warranty service, you must return the defective product, at your expense, to a service center authorized by Company to perform warranty service (a "Company Authorized Service Center") within the applicable warranty period, together with acceptable proof of purchase, such as your original receipt bearing the date of purchase, or product registration number. Company reserves the right to restrict warranty claim service to the country where the purchase

was made and/or to charge for the cost to export service parts or provide warranty service in a different country. For this purpose, on-line purchases are deemed made in the United States. For the location of your nearest Company Authorized Service Center, call Company's Customer Care Center at (800) 223-7278.

EXCLUSIONS.

Company does not offer any warranty on products purchased in used or damaged condition.

Company does not warrant any products purchased outside the United States or Canada

Company will not be responsible for any damage that has resulted from normal wear, misuse, abuse or any repair or alteration made by anyone other than a Company Authorized Service Center or a designated representative of Company's Customer Care Center.

All IMPLIED WARRANTIES are expressly limited to the warranty period identified above.

Company will not be liable for INCIDENTAL OR CONSEQUENTIAL damages.

This limited warranty is Company's sole warranty and sets forth the customer's exclusive remedy with respect to defective products; all other warranties, express or implied, whether of merchantability, fitness for purpose, or otherwise, are expressly disclaimed by Company, except as expressly stated in this warranty statement.

Some states do not allow the exclusion or limitation of incidental or consequential damages, or the limitation of implied warranties, so the above limitations or exclusions may not apply to you. This warranty gives you specific legal rights and you may have other rights which vary in certain states or provinces. For further details of warranty coverage and warranty repair information, call (800) 223-7278. To register your products on-line, we encourage you to visit our website and register for a FREE DELTA® Member Account at <http://www.deltamachinery.com/register>.

LATIN AMERICA: This warranty does not apply to products sold in Latin America. For products sold in Latin America, call the local company or see website for warranty information.

REPLACEMENT PARTS

This power tool is provided with Type Y attachment power supply cord. If the replacement of the SUPPLY CORD is necessary, this has to be done by the manufacturer or his agent in order to avoid a safety hazard. Use only identical replacement parts. For a parts list or to order parts, visit our website at www.DeltaMachinery.com/service. You can also order parts from your nearest Authorized Warranty Service Center or by calling Technical Service Manager at 1-800-223-7278 to receive personalized support from one of our highly-trained representatives.

FREE WARNING LABEL REPLACEMENT

If your warning labels become illegible or are missing, call 1-800-223-7278 for a free replacement.

SERVICE AND REPAIRS

All quality tools will eventually require servicing and/or replacement of parts. For information about Delta Power Equipment Corporation, its factory owned branches, or to locate an Authorized Warranty Service Center visit our website at www.deltamachineryparts.com or call Customer Care at 1-800-223-7278. All repairs made by our service centers are fully guaranteed against defective material and workmanship. We cannot guarantee repairs made or attempted by others. By calling this number you can also find answers to most frequently asked questions 24 hours/day. You can also write to us for information at Delta Power Equipment Corporation, 2651 New Cut Road, Spartanburg, SC 29303 -

ATTENTION: Technical Service Manager. Be sure to indicate all of the information shown on the nameplate of your saw (model number, type, serial number, date code, etc.).

TABLE DES MATIÈRES

DESCRIPTION DU FONCTIONNEMENT	28	COUPES INCOMPLÈTES.....	46
CONSIGNES IMPORTANTES DE SÉCURITÉ	29	EFFECTUER UNE COUPE INCOMPLÈTE	46
DÉFINITIONS DES SYMBOLES DE SÉCURITÉ	29	AIDES DE COUPE ET ACCESSOIRES	47
RÈGLES GÉNÉRALES DE SÉCURITÉ	29	POUSSOIR.....	47
AVERTISSEMENT DE LA PROPOSITION 65	30	FACE DE GUIDE D'ONGLET AUXILIAIRE.....	47
TERMINOLOGIE	30	BLOC POUSSOIR.....	48
RÈGLES DE SÉCURITÉ DE LA SCIE À TABLE	31	GUIDE DE PRESSION	48
RÈGLES DE SÉCURITÉ SPÉCIFIQUES POUR LA SCIEÀ		GUIDE DE D.COUPE	48
TABLE	31	GABARITS	49
MONTAGE DU PROTÈGE-LAME, DES GRIFFES	32	EFFECTUER DES RÉGLAGES	49
ANTI-REBOND ET DU COUTEAU DIVISEUR.....	32	MISE À NIVEAU DE LA PASSE-LAME	49
FABRICATION D'UN POUSSOIR.....	32	CHANGEMENT DU BISEAU.....	49
REBONDS.....	32	RÉGLAGE DES BUTÉES DU BISEAU.....	50
BRANCHEMENTS D'ALIMENTATION	33	RÉGLAGE DE LA HAUTEUR DE LA LAME.....	50
SOURCE D'ALIMENTATION.....	33	UTILISATION DU GUIDE D'ONGLET	50
RALLONGES.....	33	RÉGLAGE DU COUTEAU DIVISEUR	51
DÉBALLAGE	34	ALIGNEMENT DU COUTEAU DIVISEUR	51
CONTENU DE L'EMBALLAGE.....	34	ENTRETIEN	52
CONTENU DU SAC DE QUINCAILLERIE.....	35	DÉPANNAGE	52
OUTILS REQUIS POUR LE MONTAGE DES RÉGLAGES	35	ACCESSOIRES	53
CONNAISSANCE GÉNÉRALE DES PIÈCES	36	ASSISTANCE POUR PIÈCES,	
MONTAGE	36	SERVICES OU GARANTIE	53
MONTAGE DU SUPPORT	36	PIÈCES DE RECHANGE	53
FIXATION DU SUPPORT À LA SCIE.....	38	REMPLACEMENT GRATUIT D'ÉTIQUETTESD'	
INSTALLATION DU BOUTON DE RÉGLAGE DE HAUTEUR.....	38	AVERTISSEMENTS.....	53
INSTALLATION/CHANGEMENT DE LA LAME.....	39	ENTRETIEN ET RÉPARATIONS	53
POSITIONNER LE COUTEAU DIVISEUR.....	39	FRANÇAIS	28
INSÉRER ET METTRE À NIVEAU LA PASSE-LAME.....	40	SPANISH	54
GRIFFES ANTI-REBOND ET PROTÈGE-LAME.....	40		
GUIDE LONGITUDINAL.....	41		
UTILISATION	42		
METTRE EN MARCHÉ ET ARRÊTER LA SCIE	42		
SÉCURITÉ ET INSTRUCTIONS POUR LE DISJONCTEUR .	43		
EFFECTUER DES COUPES	43		
COUPE LONGITUDINALE	44		
COUPE LONGITUDINALE EN BISEAU	44		
COUPE TRANSVERSALE.....	45		
COUPE TRANSVERSALE EN BISEAU.....	45		
COUPE TRANSVERSALE D'ONGLET	45		
COUPE D'ONGLET COMBINÉE	46		
COUPES DE GRANDS PANNEAUX.....	46		

DESCRIPTION DU FONCTIONNEMENT

La scie à table portable SHOPMASTER S36-300T2 de 10 po (25,4 cm) est conçue pour vous aider à réaliser vos travaux de rénovation résidentielle ainsi que les autres projets. Cette scie vous permet d'effectuer tous les projets de bricolage grâce à ses fonctions faciles à utiliser. L'emballage de cette scie contient les articles suivants : Ensemble de la scie, support, guide longitudinal, guide d'onglet, poussoir, couteau diviseur, griffes anti-rebond, protège-lame, passe-lame et une lame au carbure de 10 po (25,4 cm).

Cet outil ne peut être utilisé qu'avec des lames de scie à bois.

REMARQUE : La couverture du guide d'utilisation illustre le modèle du produit actuel. Toutes les autres illustrations contenues dans le manuel sont uniquement à titre indicatif et peuvent ne pas être des représentations exactes de l'étiquetage réel ou des accessoires inclus. Elles sont destinées à titre indicatif seulement.

Spécifications

PROFONDEUR MAXIMALE DE LA COUPE À 90° :	3 po
PROFONDEUR MAXIMALE DE LA COUPE À 45° :	2-1/2 po
REFENTE MAX. À DROITE DE LA LAME :	28 po
REFENTE MAX. À GAUCHE DE LA LAME :	15 po
Caractéristiques techniques du moteur :	
INTENSITÉ DU COURANT :	15 ampères
TENSION :	120 Volts

CONSIGNES IMPORTANTES DE SÉCURITÉ

⚠ AVERTISSEMENT : LISEZ ATTENTIVEMENT ET SUIVEZ TOUS LES AVERTISSEMENTS ET INSTRUCTIONS SUR VOTRE PRODUIT ET DANS CE GUIDE. CONSERVEZ CE GUIDE. ASSUREZ-VOUS QUE TOUS LES UTILISATEURS SONT FAMILIERS AVEC LES AVERTISSEMENTS ET INSTRUCTIONS AVANT D'UTILISER L'OUTIL. Un mauvais fonctionnement, un mauvais entretien ou une modification des outils ou du matériel peuvent entraîner des blessures graves et/ou des dommages matériels.



SYMBOLES DE SÉCURITÉ - DÉFINITIONS

Ce guide contient des informations qu'il est important que vous connaissiez et compreniez. Ces informations concernent VOTRE SÉCURITÉ et la PRÉVENTION DE PROBLÈMES AVEC L'ÉQUIPEMENT. Pour vous aider à reconnaître ces informations, nous utilisons les symboles ci-dessous. Veuillez lire le guide et prêter attention à ces sections.

⚠ DANGER: Indique une situation dangereuse imminente qui, si elle n'est pas évitée, entraînera la mort ou des blessures graves.

⚠ AVERTISSEMENT : Indique une situation dangereuse potentielle qui, si elle n'est pas évitée, pourrait entraîner la mort ou des blessures graves.

⚠ MISE EN GARDE : Indique une situation dangereuse potentielle qui, si elle n'est pas évitée, pourrait entraîner des blessures mineures ou modérées.

MISE EN GARDE : L'utilisation sans le symbole d'alerte de sécurité indique une situation potentiellement dangereuse qui, si elle n'est pas évitée, pourrait entraîner des dommages matériels.

Certains des symboles ci-dessous peuvent être utilisés sur l'outil. Veillez à les étudier et à apprendre leur signification. Une interprétation correcte de ces symboles permettra d'utiliser l'outil plus efficacement et de réduire les risques.

SYMBOLE	NOM	DÉSIGNATION / EXPLICATION
	Symbole d'alerte de sécurité	Indique un risque de blessure potentiel.
	Lire le manuel d'utilisation	Pour réduire les risques de blessures, l'utilisateur doit lire et veiller à bien comprendre le manuel d'utilisation avant d'utiliser ce produit.
	Protection oculaire	Toujours porter une protection oculaire avec écrans latéraux certifiée conforme à la norme ANSI Z87.1.
	Symbole Mains à l'écart	Le non-respect de cette mise en garde peut entraîner des blessures graves.
	Avertissement concernant l'humidité	Ne pas exposer à la pluie ou l'humidité.
	Avertissement de pincement	Faites toujours attention au mouvement, surtout là où il y a risque de pincement.
V	Volts	Tension
A	Ampères	Intensité
Hz	Hertz	Fréquence (cycles par seconde)
min	Minutes	Temps
~	Courant alternatif	Type de courant
n_0	Vitesse à vide	Vitesse de rotation à vide
.../min	Par minute	Tours, coups, vitesse périphérique, orbites, etc., par minute
A.C	Courant alternatif	Type de courant
Kg	kilogrammes	Unité de poids
RPM	Révolutions par minute	Vitesse de rotation de la machine

AVERTISSEMENTS DE SÉCURITÉ GÉNÉRAUX POUR OUTILS ÉLECTRIQUES

▲ AVERTISSEMENT : Lisez tous les avertissements, instructions, illustrations et spécifications fournis avec cet outil électrique. Le non-respect de toutes les instructions citées ci-dessous peut causer une décharge électrique, un incendie ou une blessure grave.

Conservez tous les avertissements et instructions pour consultation future.

Le terme « outil électrique » dans les avertissements désigne votre outil électrique qui fonctionne avec l'alimentation du secteur (avec fil) ou celui qui fonctionne avec une PILE (sans fil).

1. Sécurité de l'espace de travail

- Tenez votre espace de travail propre et bien éclairé.** Un endroit encombré et mal éclairé provoque les accidents
- Ne faites pas fonctionner l'outil électrique en présence de risque d'explosion; par exemple, dans le cas à proximité de liquides, gaz ou poussières inflammables.** Les outils électriques génèrent des étincelles susceptibles d'enflammer le liquide, les poussières ou les vapeurs.
- Ne permettez pas à des enfants ou des observateurs de rester proches lorsque vous faites fonctionner un outil électrique.** Les distractions peuvent vous faire perdre le contrôle.

2. Sécurité électrique

- Les fiches de l'outil doivent correspondre à la prise. Ne modifiez jamais la fiche d'aucune façon. N'utilisez pas d'adaptateurs avec les outils électriques mis à terre.** Les fiches non modifiées et les prises appropriées réduisent les risques de décharges électriques.
- Évitez de toucher à des surfaces mises à terre telles que les tuyaux, les calorifères, les cuisinières et les réfrigérateurs.** Le risque de décharges électriques est plus grand si votre corps est en contact avec une mise à la terre.
- Ne placez pas les outils électriques sous la pluie ou dans un environnement humide.** L'eau qui s'infiltre dans l'outil électrique augmentera le risque de décharges électriques.
- N'abîmez pas le cordon. N'utilisez jamais le cordon pour transporter, tirer ou débrancher l'outil électrique. Éloignez le cordon de toute source de chaleur, de bordures coupantes, de l'huile et de toute pièce mobile.** Un cordon endommagé ou entremêlé augmente les risques de décharges électriques.
- Si vous faites fonctionner l'outil électrique à l'extérieur, utilisez une rallonge conçue pour cette fin.** L'utilisation d'un cordon conçu pour l'extérieur réduit les risques de décharges électriques.
- Si vous faites fonctionner l'outil électrique dans un endroit mouillé, veillez à utiliser un circuit protégé avec un disjoncteur différentiel de fuite à la terre (DDFT).** L'utilisation d'un DDFT réduit les risques de décharges électriques.



3. Sécurité personnelle

- Restez vigilant et attentif à ce que vous faites et faites preuve de bon jugement lorsque vous utilisez un outil électrique. N'utilisez pas l'outil électrique si vous êtes fatigué ou sous l'influence de drogues, d'alcool ou de médicaments.** Un moment d'inattention lors de l'utilisation d'outils électriques peut entraîner des blessures graves.
- Utilisez des équipements de protection. Portez toujours des lunettes de sécurité.** Les équipements de protection tels que les masques antipoussières, les chaussures antidérapantes, les casques de sécurité et les bouchons pour les oreilles, réduisent les risques de blessures corporelles.
- Évitez le démarrage accidentel. Veillez à ce que l'interrupteur soit à la position d'arrêt avant de brancher l'outil électrique à la source d'alimentation transporter.** Des accidents peuvent se produire si vous transportez des outils électriques lorsque votre doigt est sur l'interrupteur ou s'il est sous tension.
- Retirez toute clé de serrage ou de réglage avant de mettre l'outil électrique sous tension.** Une clé de serrage ou de réglage attachée à une pièce rotative peut entraîner des blessures corporelles.
- Ne vous étirez pas. Gardez votre équilibre en tout temps.** Ceci permet un meilleur contrôle de l'outil électrique dans le cas d'un événement inattendu.
- Portez des vêtements appropriés. Ne portez pas des vêtements amples ou des bijoux. Maintenez les cheveux, les vêtements et les bijoux loin des pièces rotatives.** Les vêtements amples, les bijoux et les cheveux longs peuvent être pris dans les pièces rotatives.
- Veillez à ce que les dispositifs fournis pour la récupération et la collecte de poussières soient bien connectés et utilisés adéquatement.** L'utilisation d'un système de collecte de poussière réduit les dangers associés.
- L'utilisation fréquente de l'outil ne doit pas faire place à la complaisance et au non-respect des principes de sécurité.** La négligence en une fraction de seconde peut causer des blessures graves.

4. Fonctionnement et entretien de l'outil électrique

- Ne forcez pas l'outil électrique. Utilisez l'outil électrique approprié pour votre application.** L'outil électrique approprié fera le travail plus efficacement et de manière plus sécuritaire au rythme pour lequel il est conçu.
- N'utilisez pas l'outil électrique si l'interrupteur ne fonctionne plus.** Tout outil électrique dont l'interrupteur ne fonctionne plus devient dangereux et doit être réparé immédiatement.
- Débranchez l'outil électrique de la source d'alimentation ou retirez le bloc-piles avant d'effectuer tout réglage, de changer un accessoire ou d'entreposer l'outil électrique.** Ces mesures de sécurité préventive réduisent les risques de démarrage accidentel de l'outil électrique.
- Gardez les outils électriques hors tension loin de la portée des enfants et ne permettez pas à des personnes qui ne connaissent pas l'outil électrique ou les instructions présentes de faire fonctionner l'outil.** Les outils électriques sont dangereux entre les mains d'une personne non formée.
- Prenez soin des outils et leurs accessoires. Veillez à ce que les pièces rotatives ne soient pas désalignées et qu'elles ne se coincent pas, qu'aucune pièce n'est brisée ainsi que toute condition qui affecte le fonctionnement de l'outil électrique est absente. N'utilisez pas un outil électrique endommagé et faites-le réparer immédiatement.** Plusieurs accidents sont causés par des outils électriques mal entretenus.
- Maintenez les outils de coupe bien aiguisés et propres.** Les outils de coupe bien entretenus avec des lames aiguisées sont moins susceptibles de coincer et sont plus faciles à manier.
- Utilisez l'outil électrique, les mèches, les accessoires, etc. conformément aux présentes instructions en prenant en considération l'environnement et le travail à être effectué.** L'utilisation de l'outil électrique pour des fins autres que pour lesquelles il est conçu peut entraîner des situations dangereuses.
- Gardez les poignées et les surfaces de saisie sèches, propres et exemptes d'huile ou de gras.** Les poignées et les surfaces de saisie glissantes ne permettent pas une manipulation et un contrôle sécuritaires de l'outil en cas d'événement inattendu.

5. Entretien

- Demandez à un technicien qualifié d'entretenir votre outil électrique en utilisant des pièces de rechange identiques.** Ceci assure le maintien de la sécurité de l'outil électrique.

RÈGLES DE SÉCURITÉ DE LA SCIE À TABLE

TERMINOLOGIE

LES TERMES SUIVANTS SERONT UTILISÉS DANS LE GUIDE ET VOUS DEVEZ VOUS FAMILIARISER AVEC EUX.

COUPE COMPLÈTE - toute coupe qui traverse complètement la pièce.

COUPE INCOMPLÈTE - toute coupe qui ne traverse pas complètement la pièce.

POUSSOIR - un bâton en bois ou en plastique, généralement fait maison, qui sert à pousser une petite pièce dans la scie et à garder les mains éloignées de la lame.

REBOND - lorsque la lame de la scie se coince dans la coupe ou que la pièce se coince entre la lame et le guide pour repousser la pièce vers l'utilisateur.

À MAIN LEVÉE - coupe sans l'utilisation du guide d'onglet, du guide longitudinal ou tout autre moyen de guidage ou de maintien de la pièce autrement qu'avec la main de l'opérateur.

COUPE EN PLONGÉE - coupes dans la pièce de travail effectuées par élévation de la lame à travers la pièce ou l'abaissement de la pièce vers la lame.

RESCIAGE - retournement de la pièce pour compléter une coupe que la scie est incapable d'effectuer en un seul passage.

COUPE DE MOULURE - une opération où la pièce est poussée en angle à travers la lame. (Également connu sous le nom de « coving »)

RÈGLES DE SÉCURITÉ SPÉCIFIQUES POUR LA SCIE À TABLE

 AVERTISSEMENT LISEZ TOUS LES AVERTISSEMENTS DE SÉCURITÉ INDIQUÉS PAR LE  SYMBOLE ET TOUTES LES INSTRUCTIONS.

1. AVERTISSEMENTS RELATIFS AU SYSTÈME DE PROTÈGE-LAME

- Gardez les protecteurs en place.** Ils doivent être en état de fonctionnement et bien installés. Un protège-lame desserré, endommagé ou qui ne fonctionne pas bien doit être réparé ou remplacé.
- Utilisez toujours un protège-lame de scie, un couteau diviseur et un dispositif anti-rebond pour toutes les opérations de coupe traversante.** Le protecteur et les autres dispositifs de sécurité permettent de réduire les risques de blessure lorsque vous effectuez des coupes traversantes, c'est-à-dire lorsque la lame traverse complètement l'épaisseur de la pièce à travailler.
- Rattachez le système de protège-lame immédiatement après avoir terminé une opération (comme une feuillure un refendage) qui nécessite le retrait du protecteur, du couteau diviseur ou du dispositif anti-rebond.** Le protecteur, le couteau diviseur et le dispositif anti-rebond permettent de réduire les risques de blessure.
- Assurez-vous que la lame de scie n'entre pas en contact avec le protecteur, le couteau diviseur ou la pièce à travailler avant de mettre l'interrupteur à la position de marche.** Un contact accidentel entre ces pièces et la lame de scie pourrait entraîner des risques.
- Ajustez le couteau diviseur conformément au manuel d'instructions.** Un espacement, un positionnement et un alignement incorrects peuvent rendre le couteau diviseur inapte à réduire les risques de rebond.
- Pour que le couteau diviseur et le dispositif anti-rebond fonctionnent, ils doivent être engagés dans la pièce à travailler.** Le couteau diviseur et le dispositif anti-rebond sont inefficaces lors de la coupe de pièces trop courtes, car ils ne peuvent pas s'engager dans celles-ci. Dans de telles conditions, le couteau diviseur et le dispositif anti-rebond ne peuvent pas éviter les rebonds.
- Utilisez la lame appropriée pour le couteau diviseur.** Pour que le couteau diviseur fonctionne correctement, le diamètre de la lame de scie doit correspondre au couteau diviseur approprié et le corps de la lame de scie doit être plus mince que l'épaisseur du couteau diviseur. De plus, la largeur de coupe de la lame de scie doit être plus large que l'épaisseur du couteau diviseur.

2. AVERTISSEMENTS RELATIFS AUX PROCÉDURES DE COUPE



- DANGER : Ne placez jamais vos doigts ou vos mains à proximité de la lame de scie ou en ligne droite avec celle-ci.** Un moment d'inattention ou une chute pourrait entraîner votre main vers la lame de scie et occasionner des blessures graves.
- Glissez la pièce à travailler vers la lame de scie ou le couteau dans le sens contraire du mouvement de rotation seulement.** Si vous glissez la pièce à travailler vers la lame de scie dans le sens du mouvement de rotation de celle-ci, la pièce à travailler et votre main pourraient être entraînées vers la lame de scie.
- N'utilisez jamais le guide d'onglet pour pousser la pièce à travailler lorsque vous sciez en long et n'utilisez pas le guide longitudinal comme butée réglable lorsque vous tronçonnez à l'aide du guide d'onglet.** Pousser la pièce à travailler à l'aide du guide longitudinal et du guide d'onglet en même temps augmente les risques d'enrayement et de rebond de la lame de scie.
- Pour le sciage en long, appliquez toujours une pression entre le guide et la lame de scie lorsque vous faites glisser la pièce à travailler. Utilisez un pousoir lorsque la distance entre le guide et la lame de scie est inférieure à 150 mm et utilisez un bloc-poussoir lorsque cette distance est inférieure à 50 mm.** Les dispositifs « d'aide au travail » permettent de garder votre main à une distance sécuritaire de la lame de scie.
- Utilisez seulement le pousoir fourni par le fabricant ou construit conformément aux instructions.** Ce pousoir garde la main à une distance suffisante de la lame de scie.
- N'utilisez jamais un pousoir endommagé ou coupé.** Un pousoir endommagé pourrait se briser et entraîner votre main vers la lame de scie.
- N'effectuez aucune coupe à « main libre ».** Utilisez toujours le guide longitudinal ou le guide d'onglet pour placer et guider la pièce à travailler. Une coupe à « main libre » consiste à utiliser votre main pour tenir ou guider la pièce à travailler plutôt que d'utiliser un guide longitudinal ou un guide d'onglet. Effectuer des coupes à main libre pourrait entraîner un désalignement, un enrayement et des rebonds.
- N'approchez jamais vos doigts d'une lame de scie en rotation.** Ne vous étirez pas pour atteindre une pièce à travailler; cela pourrait entraîner un contact accidentel avec la lame de scie en mouvement.
- Afin de maintenir de niveau les pièces à travailler longues ou larges, installez un support auxiliaire pour celles-ci à l'arrière ou sur le côté du banc de scie.** Une pièce longue ou large a tendance à pivoter sur le bord de la table, ce qui peut entraîner une perte de contrôle, un enrayement de la lame de scie et un rebond.
- Glissez la pièce à travailler à un rythme constant. Évitez de plier ou de tordre la pièce à travailler.** Si un blocage survient, éteignez l'outil immédiatement, débranchez-le, puis décoincez le matériau. Un blocage de la lame de scie à cause de la pièce à travailler peut entraîner un rebond ou le calage du moteur.
- Ne retirez pas des morceaux de matériau découpé pendant que la scie est en marche.** Le matériau pourrait se coincer entre le guide ou l'intérieur du protège-lame et la lame de scie, ce qui pourrait entraîner vos doigts vers la lame de scie. Éteignez la scie et attendez que la lame se soit arrêtée avant de retirer le matériau.
- Pour le sciage en long de pièces de moins de 2 mm d'épaisseur, utilisez un guide auxiliaire en contact avec le plateau.** Une pièce à travailler mince pourrait se glisser sous le guide longitudinal et occasionner un rebond.
- NE JAMAIS COUPER DE MÉTAUX, DE PANNEAUX DE CIMENT OU DE MACONNERIE.** Certains matériaux synthétiques ont des instructions spéciales pour la coupe sur les scies à table. Suivez les recommandations du fabricant en tout temps évitez de surchauffer les pointes des lames de scie et de faire fondre le plastique. Évitez de surchauffer les extrémités des lames en poussant le matériau à travers la lame de manière uniforme. Forcer le matériau à être rapide peut provoquer un échauffement et des dommages à la lame ou à la pièce.

3. Causes des rebonds et avertissements connexes

Un rebond est une réaction soudaine de la pièce à travailler qui se produit lorsqu'une lame est coincée, bloquée ou mal alignée sur la pièce à travailler, ou encore lorsqu'une partie de la pièce à travailler se coince entre la lame de scie et le guide longitudinal ou tout autre objet fixe.

- Lorsqu'un rebond se produit, il est fréquent que la pièce à travailler soit soulevée de la table par la partie arrière de la lame de scie et projetée vers l'utilisateur.** Le rebond est le résultat d'un usage inapproprié de la scie ou encore de procédures ou de conditions d'utilisation incorrectes. Il peut être évité en prenant les précautions appropriées présentées ci-dessous.
- Ne vous placez jamais directement en face de la lame de scie.** Placez toujours votre corps et le guide du même côté de la lame. Les rebonds peuvent projeter la pièce à travailler à grande vitesse vers une personne se tenant devant la lame de scie et en ligne droite avec celle-ci.
- Ne vous penchez jamais au-dessus de la lame de scie pour tirer ou tenir la pièce à travailler.** Un contact accidentel avec la lame de scie peut se produire ou des rebonds peuvent entraîner vos doigts vers la lame de scie.
- N'appliquez jamais une pression sur la pièce à travailler coupée dans le sens contraire du mouvement de rotation de la lame de scie.** Cela pourrait occasionner un enrayement et un rebond.
- Placez le guide pour qu'il soit parallèle à la lame de scie.** Un guide mal aligné coincera la pièce contre la lame de scie, ce qui entraînera un rebond.
- Utilisez un guide d'appui à languette pour guider la pièce à travailler contre la table et le guide lorsque vous effectuez des coupes non traversantes telles que des feuillures, ou des refendages.** Le guide d'appui à languette aide à maîtriser la pièce à travailler en cas de rebond.
- Redoublez de prudence lorsque vous effectuez des coupes dans des endroits dissimulés de pièces à travailler assemblées.** La lame de scie saillante pourrait couper des objets susceptibles de causer un rebond.

RÈGLES DE SÉCURITÉ DE LA SCIE À TABLE

- h. **Soutenez les panneaux de grande taille pour minimiser les risques de blocage et de rebond de la lame de scie.** Les panneaux de grande taille ont tendance à s'affaisser sous leur poids. Vous devez placer des supports sous toutes les parties du panneau surplombant le plateau.
 - i. **Redoublez de prudence lorsque vous coupez une pièce tordue, déformée, qui comporte des nœuds ou dont le bord n'est pas droit.** Guidez-la à l'aide d'un guide, d'onglet ou le long du guide. Une pièce déformée, tordue ou qui comporte des nœuds est instable et entraîne un mauvais alignement de la voie avec la lame de scie, des enrayerments et des rebonds.
 - j. **Ne coupez jamais plusieurs pièces à travailler à la fois, qu'elles soient empilées à la verticale ou à l'horizontale.** La lame de scie pourrait se prendre dans une ou plusieurs pièces et entraîner un rebond.
 - k. **Lorsque vous redémarrez la scie avec la lame de scie dans la pièce à travailler, centrez la lame de scie dans la voie afin que les dents de la scie ne soient pas engagées dans le matériau.** Si la lame est coincée, elle pourrait se soulever ou rebondir de la pièce à travailler au moment où vous redémarrez la scie.
 - l. **Gardez les lames de scie propres, affûtées et bien réglées.** N'utilisez jamais une lame déformée ou dont les dents sont fissurées ou brisées. Des lames de scie affûtées et bien réglées réduisent les enrayerments, les rebonds et les risques de calage du moteur.
- 4. Avertissements relatifs au mode d'emploi de la scie à table**
- a. **Arrêtez la scie à table et débranchez le cordon d'alimentation lorsque l'appareil est laissé sans surveillance ou que vous retirez la plaque amovible,** remplacez la lame de scie ou effectuez des réglages sur le couteau diviseur, le dispositif anti-rebond ou le protège-lame de scie. Les mesures de précaution permettent d'éviter les accidents.
 - b. **Ne laissez jamais la scie à table en marche sans supervision.** Éteignez-la et ne vous éloignez pas de l'outil tant qu'il ne s'est pas complètement arrêté. Une scie en marche sans surveillance est un risque non contrôlé.
 - c. **Placez la scie à table dans un endroit bien éclairé et de niveau, où vous pourrez avoir une posture sécuritaire et un bon équilibre.** Elle doit être installée dans une zone offrant suffisamment de place pour que vous puissiez facilement manipuler l'ensemble de votre pièce à travailler. Les espaces restreints, les endroits sombres et les planchers glissants et inégaux sont propices aux accidents.
 - d. **Nettoyez fréquemment sous le banc de scie et retirez la sciure qui s'y trouve ou accumulée dans le dispositif de dépoussiérage.** La sciure accumulée est combustible et auto-inflammable.
 - e. **La scie à table doit être bien fixée.** Une scie à table qui n'est pas bien fixée pourrait se déplacer ou se renverser.
 - f. **Retirez les outils, les résidus de bois et tout autre objet de la table avant de mettre la scie à table en marche.** La distraction ou un blocage potentiel peuvent être dangereux.
 - g. **Utilisez toujours des lames de scie dont l'alésage central est de la bonne taille et de la bonne forme (en losange plutôt que rond).** Les lames de scie qui ne correspondent pas à la quincaillerie de fixation de la scie créent des coupes décentrées et entraînent des pertes de contrôle.
 - h. **N'utilisez jamais une fixation de lame de scie endommagée ou inappropriée, par exemple des brides, des rondelles, des boulons ou des écrous.** Ces moyens de fixation ont été spécialement conçus pour votre scie afin d'assurer son fonctionnement sécuritaire et son rendement optimal.
 - i. **Ne vous tenez jamais debout sur la scie à table et ne l'utilisez pas comme un escabeau.** Des blessures graves peuvent survenir si l'outil se renverse ou qu'un contact accidentel se produit avec l'outil tranchant.
 - j. **Assurez-vous que la lame de scie est installée pour tourner dans le bon sens.** N'utilisez pas de meules, de brosses métalliques ou de meules abrasives sur une scie à table. Une installation incorrecte de la lame de scie ou l'utilisation d'accessoires non recommandés peuvent causer des blessures graves.
 - k. **NE PAS RETIRER UNE PIÈCE DE TRAVAIL PIÈTRÉE** sans d'abord éteindre la scie et la débrancher de la source d'alimentation.

MONTAGE DU PROTÈGE-LAME, DES GRIFFES ANTI-REBOND ET DU COUTEAU DIVISEUR

Votre scie circulaire à table est équipée d'un protège-lame, de griffes anti-rebond et d'un couteau diviseur qui couvrent la lame et réduisent la possibilité de contact accidentel avec la lame. Le couteau diviseur est une plaque plane qui tient dans la coupe faite par la lame de la scie et protège efficacement contre les rebonds en diminuant la tendance de la lame de se coincer dans la coupe. Deux griffes anti-rebond sont situées sur les côtés du couteau diviseur permettant au bois de passer à travers la lame dans la direction de coupe, mais réduisant la possibilité que le matériau ne soit projeté vers l'arrière en direction de l'opérateur. Le couteau diviseur peut être utilisé en deux positions. Il doit être soulevé à la position de coupe complète avant de fixer les griffes anti-rebonds et le protège-lame. Les deux positions sont identifiées sur le couteau diviseur. Le protège-lame et les griffes anti-rebond ne peuvent être utilisés que lors des coupes complètes qui rompent le bois. Lors de feuillures et

autres coupes non traversantes, le protège-lame et les griffes anti-rebond doivent être enlevés et le couteau diviseur abaissé à la position de coupe incomplète marquée sur le couteau diviseur.

Utilisez toutes les composantes du système de protection (protège-lame, couteau diviseur et griffes anti-rebond) pour chaque opération pour laquelle ils peuvent être utilisés, y compris toutes les coupes complètes. Si vous choisissez de ne pas utiliser un de ces composants pour une application particulière, faire preuve de prudence supplémentaire en matière de contrôle de la pièce, l'utilisation de pousoirs, la position de vos mains par rapport à la lame, l'utilisation de lunettes de sécurité, les moyens d'éviter les rebonds et toutes autres mises en garde contenues dans ce guide et sur la scie elle-même. Replacer les systèmes de protection dès que vous revenez aux coupes complètes. Maintenir ces systèmes en bonne condition de fonctionnement.

REBONDS

Les rebonds peuvent causer des blessures graves. Un rebond se produit quand une partie de la pièce se coincé entre la lame de la scie et le guide longitudinal ou tout autre objet fixe, se soulève de la table et est projetée vers l'opérateur. Le risque de rebond peut être minimisé par l'attention aux directives suivantes.

COMMENT RÉDUIRE LES RISQUES DE REBONDS ET VOUS PROTÉGER CONTRE D'ÉVENTUELLES BLESSURES :

- S'assurer que le guide longitudinal est parallèle à la lame de la scie.
- N'EFFECTUEZ PAS de coupe longitudinale en appliquant de la pression sur la section de la pièce qui deviendra la pièce coupée (libre). La pression de coupe des coupes longitudinales doit toujours être appliquée entre la lame de la scie et le guide; utiliser un pousoir pour tout travail étroit de 6 pouces (152 mm) de largeur ou moins.
- Garder le protège-lame, le couteau diviseur et les griffes anti-rebond en place et fonctionnant correctement. Le couteau diviseur doit être dans l'alignement de la lame de la scie et les griffes anti-rebond doivent arrêter un rebond une fois qu'il a commencé. Vérifier leur action avant une coupe longitudinale en poussant le bois sous l'ensemble des griffes anti-rebond. Les griffes doivent empêcher le bois d'être tiré vers l'avant de la scie. Si une partie de l'ensemble ne fonctionne pas, retourner au centre de service autorisé pour la réparation.

- Les matières plastiques et composites (comme les panneaux durs) peuvent être découpées sur votre scie. Cependant, puisque ceux-ci sont généralement assez durs et glissants, les griffes anti-rebond peuvent ne pas arrêter un rebond. Par conséquent, il faut être particulièrement attentif à la mise en place et aux procédures de coupe suivantes lors des coupes longitudinales.
- Utiliser le protège-lame, les griffes anti-rebond et le couteau diviseur pour chaque opération possible, y compris toutes les coupes complètes.
- Pousser la pièce au-delà de la lame de la scie avant de relâcher le contrôle.
- N'EFFECTUEZ JAMAIS de coupe longitudinale sur une pièce qui est tordue, déformée ou qui n'a pas un bord droit pour la contrôler le long du guide.
- NE SCIEZ JAMAIS une grande pièce qui ne peut être contrôlée.
- N'UTILISEZ JAMAIS le guide comme guide ou butée de longueur lors de coupes transversales.
- NE SCIEZ JAMAIS une pièce avec des nœuds lâches, des défauts, des clous ou autres objets étrangers.
- N'EFFECTUEZ JAMAIS de coupe longitudinale sur une pièce de moins de 10 pouces (254 mm).
- N'UTILISEZ JAMAIS une lame émoussée. Une lame émoussée doit être remplacée ou aiguisée de nouveau.

AVERTISSEMENT DE LA PROPOSITION 65 :

Des poussières créées par le ponçage, sciage, meulage, perçage et autres opérations de construction contiennent des produits chimiques reconnus par l'État de la Californie pour causer le cancer, des malformations congénitales ou autres problèmes de reproduction. Voici certains exemples :

- Plomb dans les peintures à base de plomb
- Silice cristalline provenant de briques et ciment et autres produits de maçonnerie
- Poussière d'amiante
- L'arsenic et le chrome dans les bois traités chimiquement

Votre risque à l'exposition de ces produits varie en fonction de la fréquence de ce type de travail. Pour réduire votre exposition à ces produits chimiques : travaillez dans un endroit bien aéré et utilisez des équipements de sécurité approuvés tels que des masques de protection spécialement conçus pour filtrer les particules microscopiques.

Évitez le contact prolongé avec la poussière de ponçage, de sciage, de meulage, de perçage et autres activités de construction. Portez des vêtements de protection et nettoyez les parties exposées avec de l'eau et du savon.

Si vous avez des questions ou des problèmes liés à l'utilisation de l'outil ou du contenu de ce guide, cessez d'utiliser l'outil et communiquez avec le service à la clientèle de la compagnie Delta Power Equipment au 1-800-223-7278.

Conservez ces directives.

Consultez souvent ces directives et utilisez-les pour informer les autres.
Si vous prêtez cet appareil à quelqu'un, prêtez-lui aussi ces directives.

BRANCHEMENTS D'ALIMENTATION

SOURCE D'ALIMENTATION

Cette scie est équipée d'un moteur de 15 ampères pour une utilisation avec du courant alternatif de 120 volts, 60 Hz. Voir les directives ci-dessous concernant les branchements appropriés pour votre scie. Pour la tension, le câblage dans un atelier est aussi important que la puissance du moteur. Une ligne conçue uniquement pour la lumière peut ne pas être en mesure d'alimenter le courant nécessaire pour un moteur électrique; un fil d'un calibre suffisant une courte distance peut être insuffisant pour une plus grande distance; et une ligne qui peut supporter un outil électrique peut ne pas être en mesure d'en soutenir

deux ou trois.

Un circuit électrique séparé doit être utilisé pour vos machines. Ce circuit ne doit pas être de calibre inférieur à un fil n° 12 et doit être protégé par un décalage fusible de 20 ampères. Avant de brancher la machine à la source d'alimentation, assurez-vous que le commutateur est en position « ARRÊT » et que le courant électrique présente les mêmes caractéristiques que celles inscrites sur la machine. Une chute de tension importante causerait une perte de puissance et le moteur surchaufferait. Elle pourrait également endommager la machine.

⚠ DANGER: NE PAS EXPOSER LA MACHINE À LA PLUIE NI UTILISER LA MACHINE DANS DES CONDITIONS HUMIDES.

RALLONGES

⚠ DANGER: Ne jamais utiliser une rallonge endommagée. Vérifier les rallonges avant chaque utilisation.

Si une rallonge est endommagée, remplacez-la immédiatement. N'utilisez jamais l'appareil avec un cordon endommagé, car toucher la zone endommagée pourrait causer une électrocution et des blessures graves.

⚠ MISE EN GARDE : Garder la rallonge éloignée de la zone de travail. Disposer le cordon afin qu'il ne se prenne pas sur les pièces de bois, appareils et autres obstacles.

Consultez le tableau « CALIBRE MINIMUM DE RALLONGE » présenté à gauche pour déterminer la longueur et le calibre appropriés de toute rallonge utilisée pour fournir du courant à votre outil.

Utilisez des rallonges de calibre approprié. Lorsque vous utilisez une rallonge, assurez-vous que son calibre est suffisant pour le courant nécessaire à l'appareil. Un cordon de calibre faible provoquera une chute de tension dans la ligne, entraînant une surchauffe et une perte d'alimentation. Le tableau présente le calibre minimal à utiliser en fonction de la longueur du cordon. En cas de doute, utiliser le calibre supérieur. Plus le calibre est petit, plus le cordon est puissant. N'utilisez uniquement que les câbles à gaine ronde homologués par Underwriters Laboratories (UL).

Lors du travail à l'extérieur, utilisez une rallonge conçue pour cette fin.

CALIBRE MINIMUM DE RALLONGE TAILLES RECOMMANDÉES AVEC MACHINES ÉLECTRIQUES FIXES			
INTENSITÉ NOMINALE	VOLTS	LONGUEUR TOTALE DE CORDON EN PIEDS	CALIBRE DE LA RALLONGE
0-6	120	Jusqu'à 25	18 AWG
0-6	120	25-50	16 AWG
0-6	120	50-100	16 AWG
0-6	120	100-150	14 AWG
6-10	120	Jusqu'à 25	18 AWG
6-10	120	25-50	16 AWG
6-10	120	50-100	14 AWG
6-10	120	100-150	12 AWG
10-12	120	Jusqu'à 25	16 AWG
10-12	120	25-50	16 AWG
10-12	120	50-100	14 AWG
10-12	120	100-150	12 AWG
12-16	120	Jusqu'à 25	14 AWG
12-16	120	25-50	12 AWG
12-16	120	SUPÉRIEUR À 50 PIEDS DÉCONSEILLÉ	

DÉBALLAGE

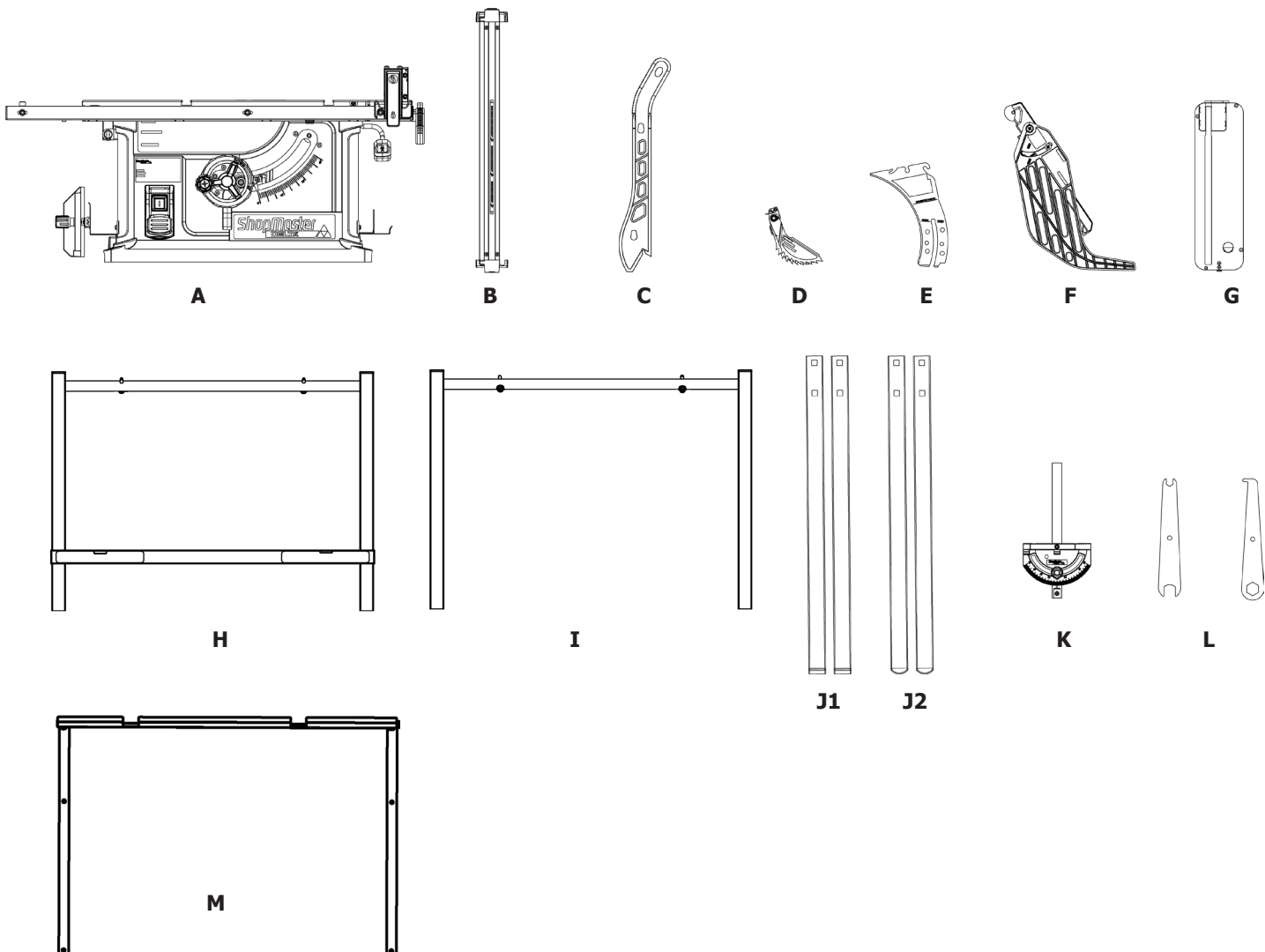
⚠ AVERTISSEMENT : Avant de monter et d'utiliser cet outil, lisez ce guide pour vous familiariser avec le montage, l'entretien et les procédures de sécurité.

Vérifiez la boîte d'emballage et l'appareil pour tout dommage avant de déballer. Retirez délicatement les composants de la couche supérieure de mousse. Retirez la couche supérieure de mousse puis retirez tous les composants dans la couche inférieure de mousse. Disposez toutes les pièces sur un morceau de carton ou autre surface plane et propre. Vérifiez toujours s'il y a des matériaux de protection pour le transport autour du moteur et des pièces mobiles et retirez-les. Ne jetez

pas le carton et les matériaux d'emballage avant d'avoir soigneusement inspecté le contenu, monté l'appareil et l'avoir fait fonctionner correctement et à votre satisfaction. Comparez le contenu de l'emballage avec la liste des pièces expédiées et du sac de quincaillerie avant le montage pour vous assurer que tous les articles sont présents. Inspectez soigneusement les pièces pour vérifier qu'aucun dommage n'est survenu pendant l'expédition. Si des pièces sont manquantes, endommagées ou prémontées, ne montez pas l'appareil. Au lieu de cela, appelez l'assistance à la clientèle au 1-800-223-7278 pour de l'assistance.

Contenu de l'emballage

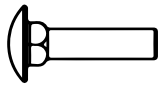
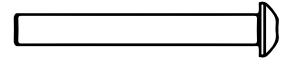
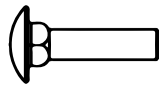
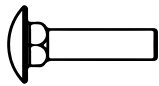
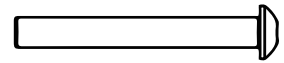
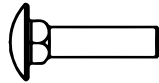
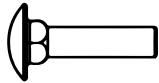
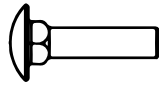
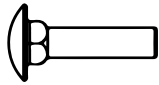
- | | | | |
|----|---|-----|-----------------------|
| A. | Scie | H. | Support - partie 1 |
| B. | Guide longitudinal | I. | Support - partie 2 |
| C. | Poussoir | J1. | Pieds verticaux (B) |
| D. | Griffes anti-rebond | J2. | Pieds horizontaux (A) |
| E. | Couteau diviseur (prémonté sur la scie) | K. | Guide d'onglet |
| F. | Protège-lame | L. | Clés de lame (2) |
| G. | Plaque à gorge | M. | Extension de sortie |



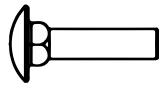
DÉBALLAGE

CONTENU DU SAC DE QUINCAILLERIE

- a. Description (QTÉ)
- b. Boulon pour le chariot M8 x 35 mm (8)
- c. Rondelle plate M8 (2)
- d. Entretoise M8 (2)
- e. Boulon d'assemblage à tête cylindrique à six pans creux M8 x 65 mm (2)
- f. Écrou M8 (10)
- g. Vis à épaulement avec poignée de roue (1)
- h. Bouton de la poignée de roue (1)
- i. Clé hexagonale/Phillips 4 mm (1)
- j. Boulons hex. M5 x 16 (2)



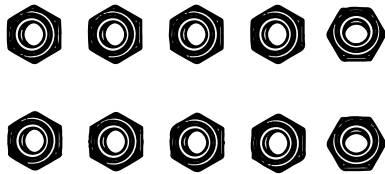
a



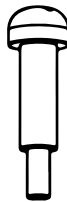
b

c

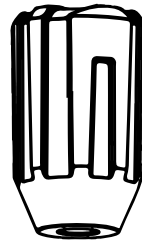
d



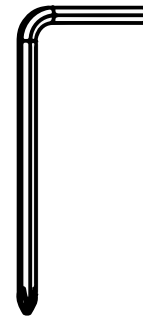
e



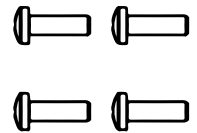
f



g

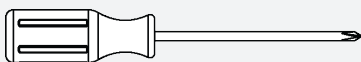


h



i

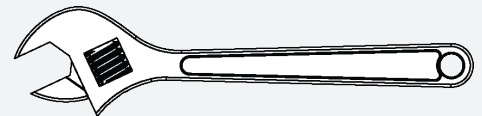
OUTILS REQUIS POUR LE MONTAGE OU LES RÉGLAGES (NON FOURNIS)



Tournevis Phillips



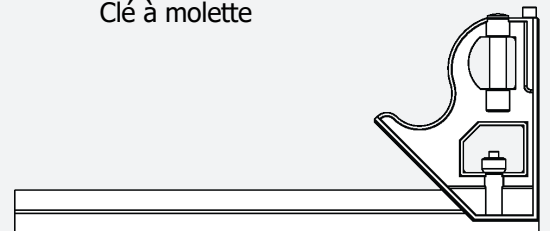
Clé hexagonale
3 mm, 4 mm, 5 mm



Clé à molette

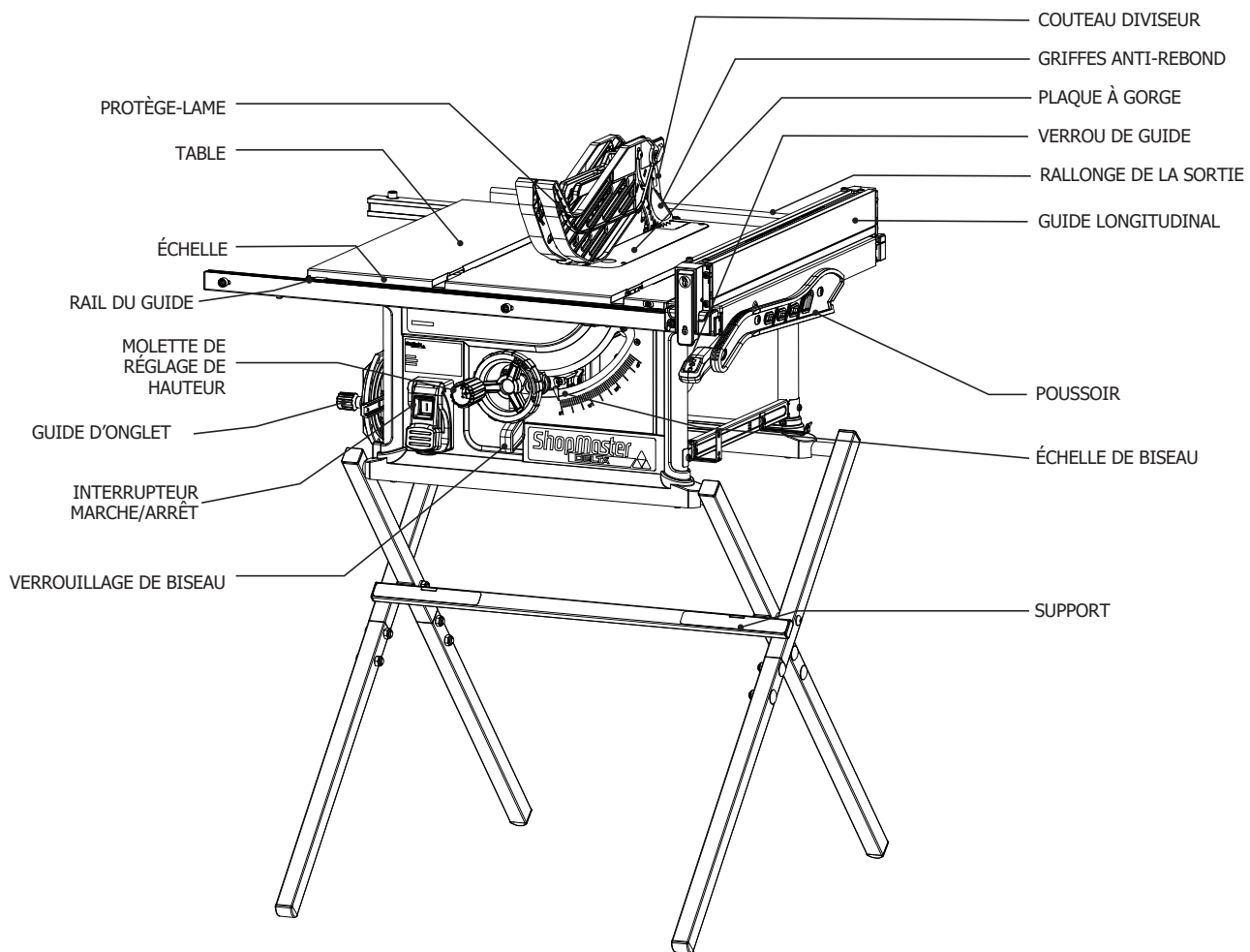


Règle droite



Équerre combinée

CONNAISSANCE GÉNÉRALE DES PIÈCES



MONTAGE

Les noms et les lettres des pièces et de la quincaillerie correspondent à ceux utilisés dans les sections « Connaissance générale des pièces », « Contenu de l'emballage » et « Contenu du sac de quincaillerie ».

⚠ AVERTISSEMENT :

Lorsque vous soulevez la scie, la tenir près de votre corps tout en la soulevant. Garder les genoux pliés et soulever avec vos jambes, et non votre dos.

Monter entièrement la scie avec l'ensemble de support avant de l'utiliser.

L'ensemble du support est une partie intégrante et nécessaire de la structure de soutien de cette scie. Ne tentez pas de substituer l'ensemble de support par une table ou une autre surface.

MONTAGE DU SUPPORT

Monter la pièce 2 du cadre du support (I) sur la pièce 1 du support (H) qui croise le support comme illustré (figure 1). Fixez l'ensemble du support à l'aide de la vis d'assemblage à tête cylindrique à six pans creux M8 x 65 mm (d), l'entretoise M8 (c), la rondelle M8 (b) et l'écrou M8 (e). (figure 1)

REMARQUE : L'entretoise M8 (c) est entre les pièces du support (H) et (I).

(Figure 2) pour la configuration correcte des pièces du support.

Ne pas modifier la scie, ou créer des accessoires non recommandés pour utilisation avec cette scie.

Ne pas brancher sur l'alimentation avant que le montage ne soit terminé. Assurez-vous que l'interrupteur d'alimentation est en position « ARRÊT » avant de brancher l'outil à l'alimentation.

Éviter le contact avec les dents de la lame. Tenez la lame rangée ou abaissée, lorsque possible.

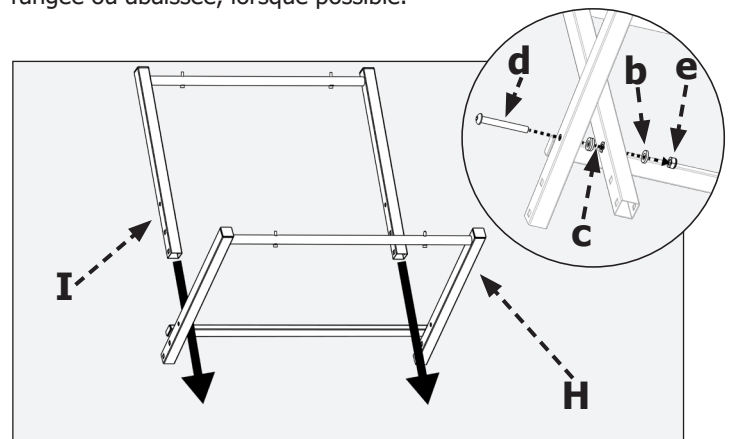


FIGURE 1

MONTAGE

REMARQUE : Assurez-vous que les pièces 1 (H) et 2 (I) sont montées dans la sens exact.

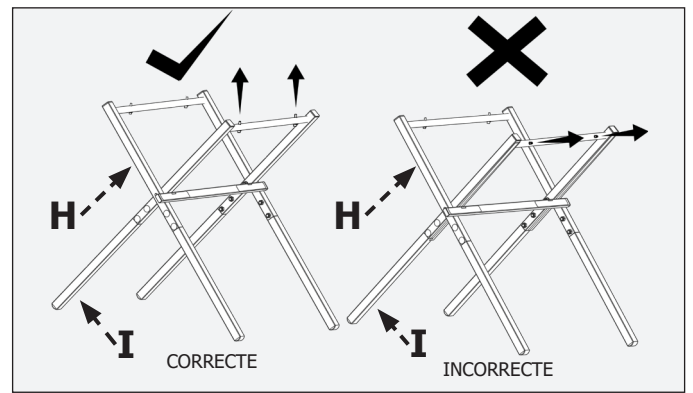


FIGURE 2

Avec le support monté en position ouverte, fixer les pattes (J) sur le support à l'aide des huit boulons de carrosserie M8 x 35mm (a) et des huit écrous de blocage M8 (b). Serrez les écrous de blocage pour fixer les pieds au support (Figure 3.)

REMARQUE : Ne pas trop serrer les écrous de blocage. Voir le montage du support complété sur la figure 5.

REMARQUE: Les jambes doivent correspondre au bon support. Les pieds de l'avant (A) sont horizontaux et les pieds de l'arrière (B) sont verticaux.

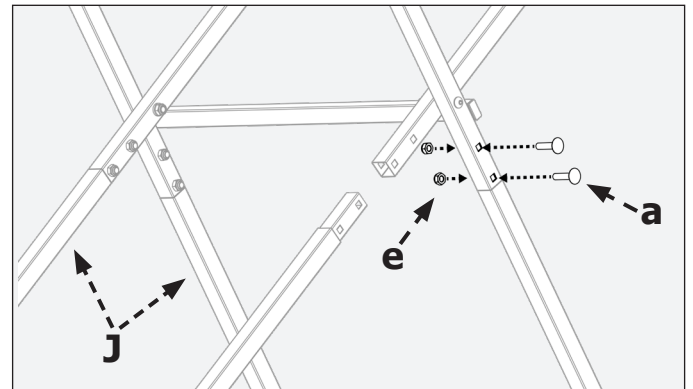


FIGURE 3

Scie montée (Figure 4A et 4B).

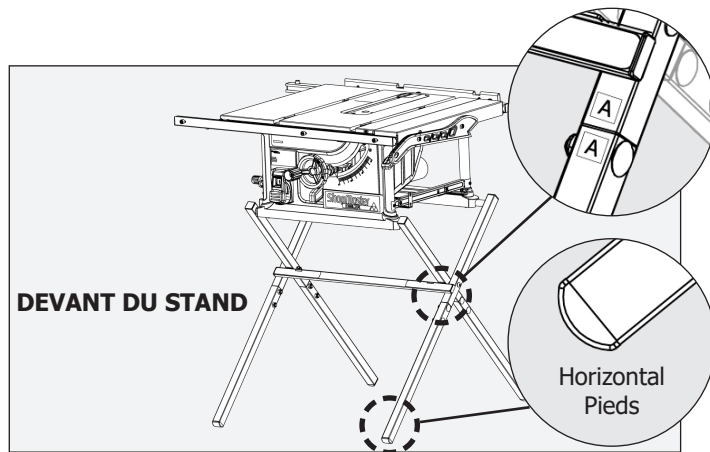


FIGURE 4A

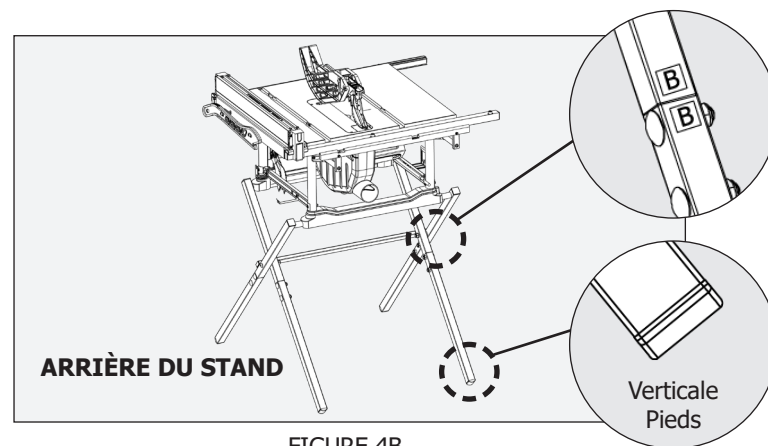


FIGURE 4B

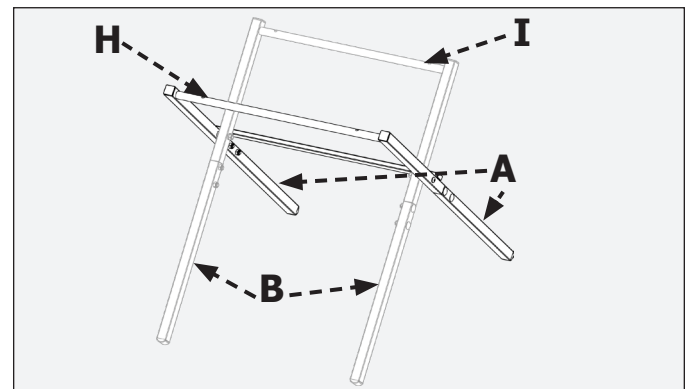


FIGURE 5

MONTAGE

REMARQUE : Avant d'assembler le support avec la scie, déverrouillez le verrou de biseau, inclinez l'ensemble lame/moteur et retirez le morceau de polystyrène sous le moteur de la scie. Le verrou du biseau est la poignée située au-dessous de la roue du réglage de la hauteur de la lame (figure 6).

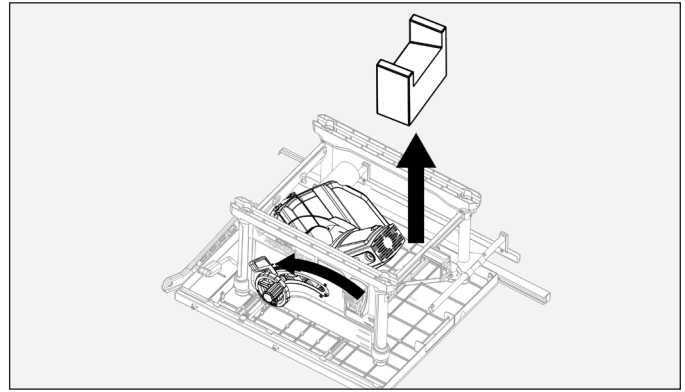


FIGURE 6

FIXATION DU SUPPORT À LA SCIE

Placez la scie (A) sur le support tout en alignant les trous de fixation dans le support de la scie avec les trous filetés de la base de la scie (figure 7). Serrez les vis à tête hexagonale pour fixer le support à la scie.

REMARQUE : Ne pas trop serrer.

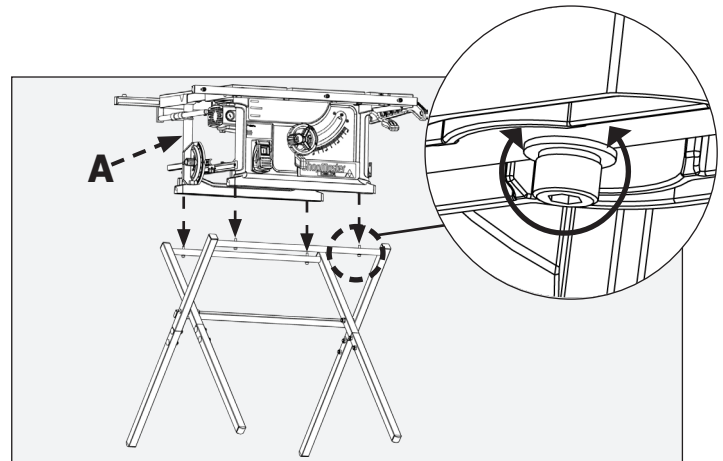


FIGURE 7

Consultez la figure 8.

Déployez le support de la sortie pour exposer les quatre trous. Sur le bouton des tubes du support de la sortie. Insérez quatre boulon hexagonal M5 x 16 (i) de dessous. Serrez avec la clé Allen fournie. Répéter de l'autre côté du support de sortie.

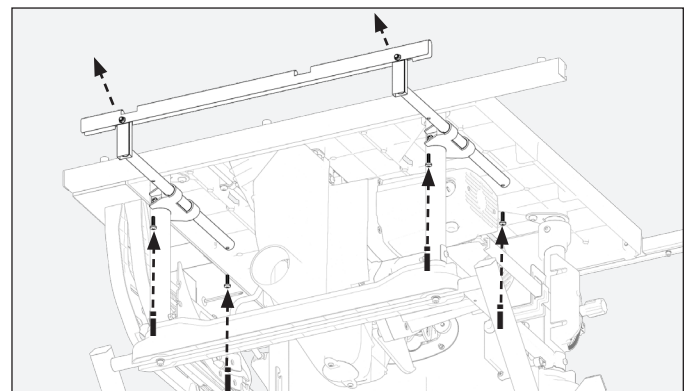


FIGURE 8

INSTALLATION DU BOUTON DE RÉGLAGE DE HAUTEUR

- Insérez la vis à épaulement (f) dans le bouton de réglage de hauteur (g), comme illustré à la figure 9.
- Serrez la vis à épaulement (f) avec le tournevis Phillips sur la molette. Le bouton de réglage de la hauteur doit tourner librement autour de la vis à épaulement lors du lever ou de l'abaissement de la lame avec la molette de réglage de hauteur.

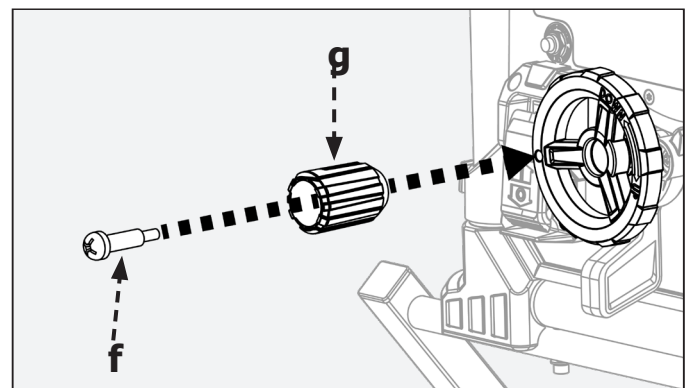


FIGURE 9

MONTAGE

INSTALLATION/CHANGEMENT DE LAME

Assurez-vous que le levier de verrouillage du couteau diviseur est en position déverrouillée (figure 10).

Retirez l'écrou et la rondelle à collerette extérieure de l'ensemble de l'arbre. Placez la lame sur l'axe d'entraînement avec les dents de la lame tournées vers l'avant de la scie. Le logo SHOPMASTER sur la lame sera orienté vers le côté gauche de la scie. Placez la rondelle à bride sur l'arbre avec le grand côté de la rondelle vers la lame, puis fixer la lame avec écrou (figure 10).

Serrez l'écrou avec les clés de lame (L) du panneau de rangement sur le côté droit de la scie. La clé à fourche entrera dans l'arbre entre la rondelle d'accouplement et le moteur (si nécessaire, tournez l'arbre pour aligner la partie plane à la clé). La clé à extrémité fermée entrera dans l'écrou. Voir figure 10a.

Remplacez les clés (L) dans le panneau de rangement. Replacer le levier de verrouillage du couteau diviseur en position verrouillée. Replacer la passe-lame (G) en veillant à verrouiller l'onglet à l'arrière de la passe-lame au-dessous de la surface de la table comme indiqué à la figure 10b.

REMARQUE: Utilisez uniquement des lames de 10 "(254 mm) de diamètre avec des trous de 5/8" (16 mm), prévues à une vitesse supérieure à 5 000 tr / min, une largeur de rainure minimale de 0,10 "(2,6 mm) et une épaisseur de corps maximale de 1,85 mm (0,073").

Utilisez uniquement des lames de 10 po conçues pour la coupe du bois.

POSITIONNER LE COUTEAU DIVISEUR

Un couteau diviseur est une plaque plane qui entre dans la coupe faite par la lame de la scie (la « saignée »). Il vise à réduire le risque de rebond en tenant le trait de scie ouvert et réduisant la tendance de la

⚠ AVERTISSEMENT :

pièce à coincer la lame.

- Pour réduire le risque de blessures, le couteau diviseur doit être installé pour chaque « coupe complète » et pour chaque « coupe incomplète » à moins que le couteau diviseur nuise à la coupe.
- Le couteau diviseur fourni avec la scie à table doit être plus épais que le corps des lames de scie correspondantes fournies avec la scie à table, mais plus mince que la largeur de trait de scie de ces lames.
- Utilisez toujours une lame d'épaisseur appropriée au couteau diviseur. (0,10 po (2,6 mm) largeur min du trait de coupe et 0,073 po (1,85 mm) d'épaisseur du corps max.)
- Le couteau diviseur doit être à la position « HAUT » ou « coupe complète » lors de l'utilisation des griffes anti-rebond et du protège-lame.
- Veillez à ce que le couteau diviseur soit correctement aligné sur la lame comme décrit dans la section « Réglage du couteau diviseur ». Consultez les figures 11 et 12
- Cette scie est livrée avec son couteau diviseur (E) installé en position basse ou « coupe incomplète ». Ce couteau diviseur correspond à l'épaisseur de la lame qui est livrée avec la scie. Pour installer les griffes anti-rebond et l'ensemble du protège-lame, levez d'abord le couteau diviseur de la position abaissée ou « coupe incomplète » à la position levée « coupe complète », comme suit :
- Avec la lame à la position la plus élevée possible, aller avec prudence le long de la lame et lever le levier de verrouillage du couteau diviseur pour le déverrouiller.
- Déplacer doucement le couteau diviseur vers la droite pour dégager les tiges de verrouillage du couteau diviseur.

1. Faites glisser le couteau diviseur vers le haut et l'avant jusqu'à ce que vous sentiez que les tiges de verrouillage engager le couteau diviseur dans la position « coupe complète ». Lorsque correctement alignée dans cette position, la ligne de « coupe complète » sur le couteau diviseur sera parallèle et au niveau de la table.

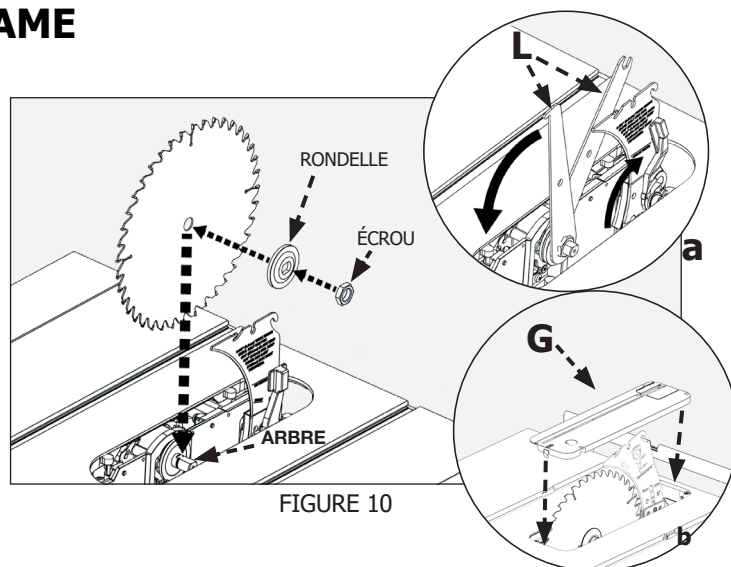


FIGURE 10

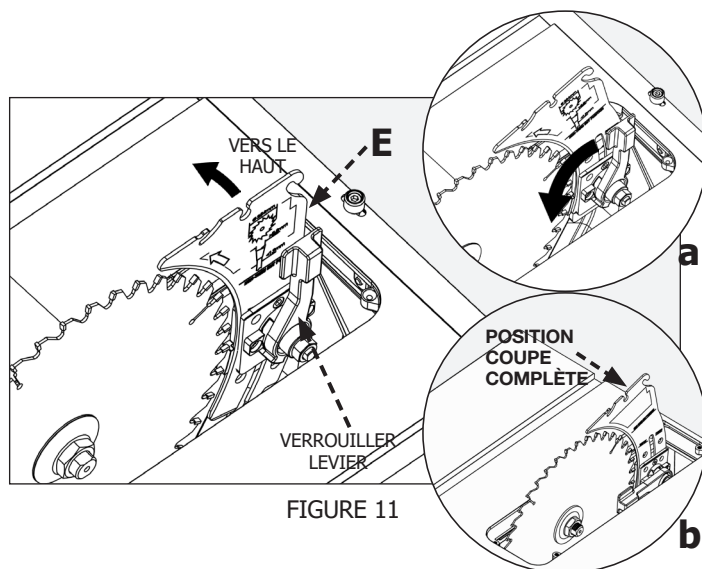


FIGURE 11

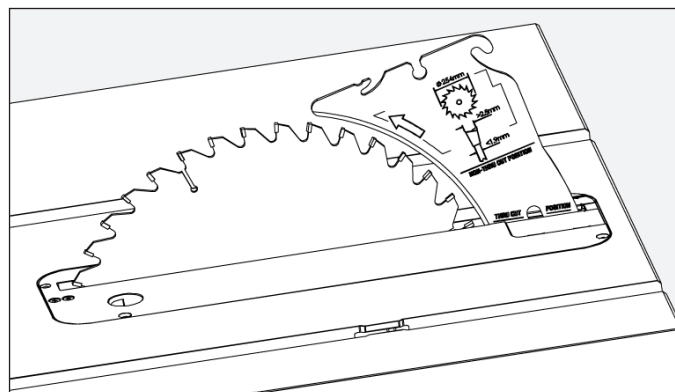


FIGURE 12

2. Replacer le levier de verrouillage du couteau diviseur en position verrouillée.
3. S'assurer que le couteau diviseur est correctement installé et aligné sur la lame.

REMARQUE : Pour les « coupes non complètes », abaissez le couteau diviseur à la position « coupe incomplète » en utilisant la même procédure. Dans ce cas, la ligne « coupe incomplète » doit être parallèle et au niveau de la table.

MONTAGE

INSÉRER ET METTRE À NIVEAU LA PASSE-LAME

Insérez la languette arrière de la passe-lame (G) (l'extrémité avec les plaques d'usure) sous la surface de la table, et entrez l'extrémité avant en place (figure 13).

Vérifier que la plaque à gorge est bien ajustée à la table. L'avant de la passe-lame doit être au niveau ou légèrement en dessous de la surface de la table et l'arrière de la passe-lame doit être au niveau ou légèrement au-dessus de la surface de la table (figure 13).

Si un réglage est nécessaire, ajuster les vis hexagonales de réglage (4) (figure 14) vers le haut ou vers le bas selon le cas. Répétez ce processus au besoin jusqu'à ce que la passe-lame soit au niveau. Pour retirer la plaque à gorge, abaissez la lame sous le plateau, puis faites glisser délicatement la plaque à gorge de l'arrière de la table vers l'avant, en maintenant la lame centrée dans la fente de la plaque à gorge.

Si un réglage est nécessaire, ajuster les vis hexagonales de réglage (4) (figure 17A) vers le haut ou vers le bas selon le cas. Répétez ce processus au besoin jusqu'à ce que la passe-lame soit au niveau. Pour retirer la plaque à gorge, abaissez la lame sous le plateau, puis faites glisser délicatement la plaque à gorge de l'arrière de la table vers l'avant, en maintenant la lame centrée dans la fente de la plaque à gorge. (figure 14B)

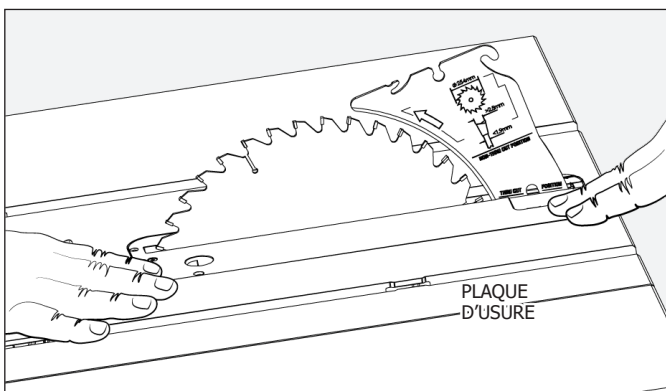


FIGURE 13

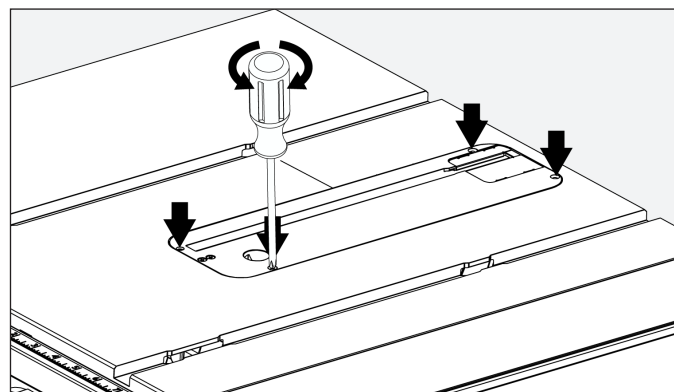


FIGURE 14

⚠ AVERTISSEMENT :

Il est important que la plaque à gorge soit bien ajustée à la table. Cela garantit que la pièce ne sera pas prise sur la plaque à gorge ou la table lors du poussage de la pièce de travail dans la lame pendant la coupe.

REMARQUE: les inserts de plaque à gorge sans jeu ou à gorge tranchante sont disponibles en ligne.

Remarque: Aucune partie de l'insert de table ne doit se situer au-dessus ni à plus de 0,7 mm du plan de la surface du dessus de la table côté entrée et aucune partie de l'insert de table ne doit être inférieure ou supérieure à 0,7 mm au-dessus du plan de la table. dessus de table côté sortie.

GRIFFES ANTI-REBOND ET PROTÈGE-LAME

Le couteau diviseur (E) doit être en position de coupe complète avant l'installation des griffes anti-rebond (D) et du protège-lame (F).

Insérez l'ensemble de griffes (D) dans la fente du milieu sur le couteau diviseur (E) comme le montre la figure 15 tout en appuyant sur la tige à ressort sur le côté droit de l'ensemble de griffes.

Une fois insérée, relâchez la tige à ressort de sorte qu'elle revienne à sa place (figure 15). S'assurer qu'elle est verrouillée en place.

Pour retirer les cliquets anti-recul, appuyez sur la goupille et retirez le anti-recul du couteau diviseur.

Tout en maintenant le protège-lame (F) en position verticale, comme illustré sur la figure 16, tirez la tige du protège-lame complètement vers le haut dans la fente arrière sur le couteau diviseur.

Tournez l'ensemble de protège-lame complètement vers le bas afin que les bras soient parallèles à la table (figure 16a). Verrouiller ensuite le protège-lame en appuyant sur le bouton de verrouillage (figure 16b).

Pour retirer l'ensemble protège-lame :

1. Soulevez le levier de verrouillage du protège-lame (D) à la position déverrouillée.
2. Tournez le protège-lame vers l'arrière et faites glisser le goujon (B) hors de la fente du couteau diviseur.

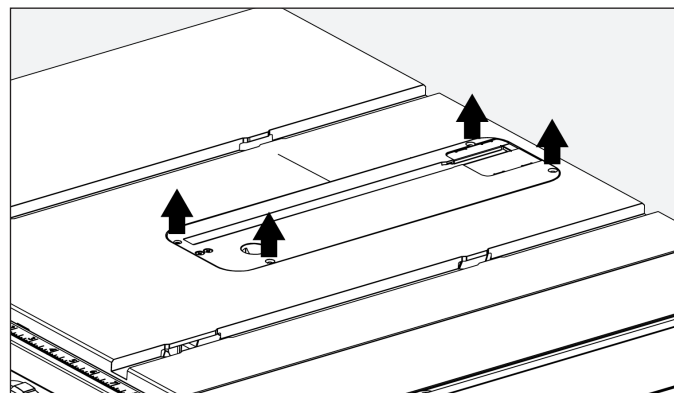


Figure 14B

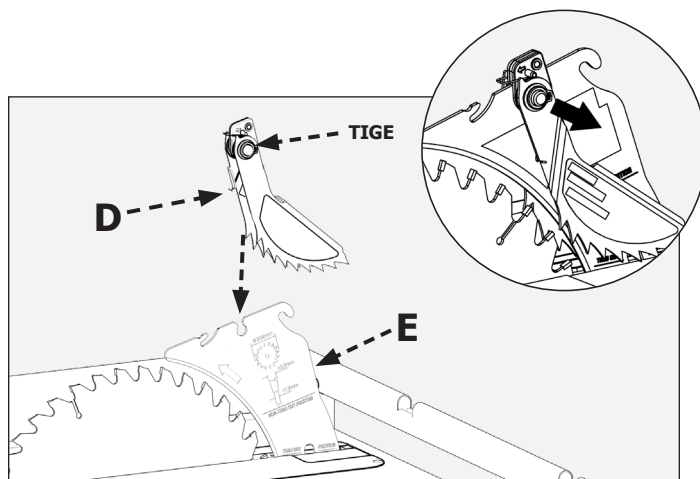


FIGURE 15

MONTAGE

⚠ AVERTISSEMENT : Ne tenez pas la tige de verrouillage en position de verrouillage lors de l'installation du protège-lame.

⚠ AVERTISSEMENT : Après avoir engagé la tige de verrouillage pour verrouiller le protège-lame, tirer sur les bras pour assurer que la protection est correctement verrouillée. Si le protège-lame n'est pas parallèle à la table, le couteau diviseur n'est pas en position relevée (traversée). Soulevez et abaissez chaque côté du protège-lame pour vérifier le libre mouvement du système de protection. Assurez-vous que le système de protection peut être suffisamment élevé pour dégager votre pièce.

Remarque: l'alignement de la lame avec le couteau diviseur peut être ajusté. Reportez-vous à la section: Vérification et alignement du couteau diviseur et de la lame de scie, page 51. Vérifiez que le protège-lame ne comporte ni jeu ni mouvement.

GUIDE LONGITUDINAL

⚠ AVERTISSEMENT : N'utilisez pas le guide longitudinal et le guide d'onglet en même temps sans l'utilisation d'un bloc de guide de découpe comme décrit dans la section « Aides de coupe et accessoires » de ce guide.

Cette scie est équipée d'un système d'alignement du guide à trois positions afin de permettre des coupes rapides et précises. Selon le type de coupe requise, utilisez une des positions indiquées ci-dessous (figure 17). **Remarque:** Toutes les échelles sont sert à mesurer la distance entre la surface la plus intérieure de la clôture et la face de la lame. L'échelle doit indiquer zéro lorsque le guide touche la lame et augmenter lorsque la table est étendue et que le guide est éloigné de la lame.

- Position 1 (P1): Utilisez l'échelle bleue pour les découpes gauches de 0 à 15 pouces. Utilisez l'indicateur de règle (FIGURES 19 et 19a)
 - Position 2 (P2): Utilisez l'échelle des blancs avec une numérotation noire pour les découpes à déchirure droite de 0 à 18 pouces. Utilisez l'indicateur de la règle (FIGURE 18b).
 - Position 3 (P3): Utilisez l'échelle de noir avec une numérotation blanche pour les découpes à déchirure droite de 10 à 28 pouces. Utilisez l'indicateur de la règle (FIGURE 18a).
1. Déterminez la position requise selon le tableau ci-dessus.
 2. Baissez les harnais de chaque côté du guide sur les butées fixes du guide situées sur les rails de la scie à table. (FIGURES 17a et 17b).
 3. Enclenchez le verrou du guide situé en avant du guide (figure 17).
 4. Déterminez l'échelle requise selon la liste à puces ci-dessus.
 5. Libérez (tirez) le levier du verrou de la rallonge de la table (FIGURE 19a).
 6. Positionnez le guide à l'endroit requis en déplaçant la rallonge coulissante de la table.
 7. Enclenchez (poussez) le levier du verrou de la rallonge de la table (FIGURE 20a).

Pour les matériaux fins, utilisez le guide situé à gauche de la lame. Repliez le guide fin pour permettre l'utilisation du protège-lame. Soustrayez 2 pouces de la balance pour une mesure précise (FIGURE 19 B).

⚠ AVERTISSEMENT Enclenchez toujours le verrou de la rallonge de la table avant de faire fonctionner la scie ou avant d'effectuer une coupe. Le non-respect de cette consigne peut entraîner des blessures.

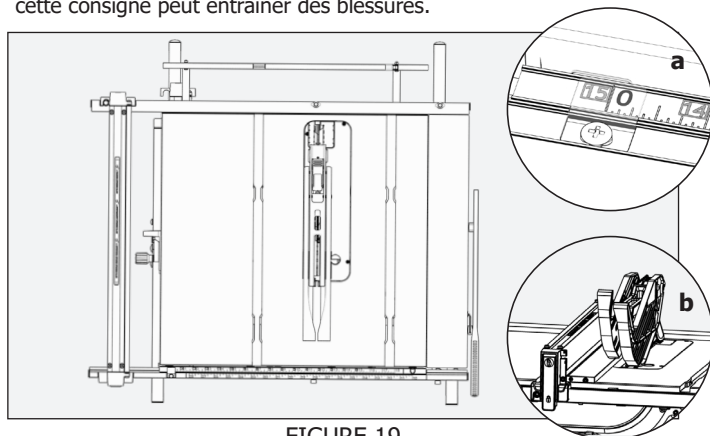


FIGURE 19

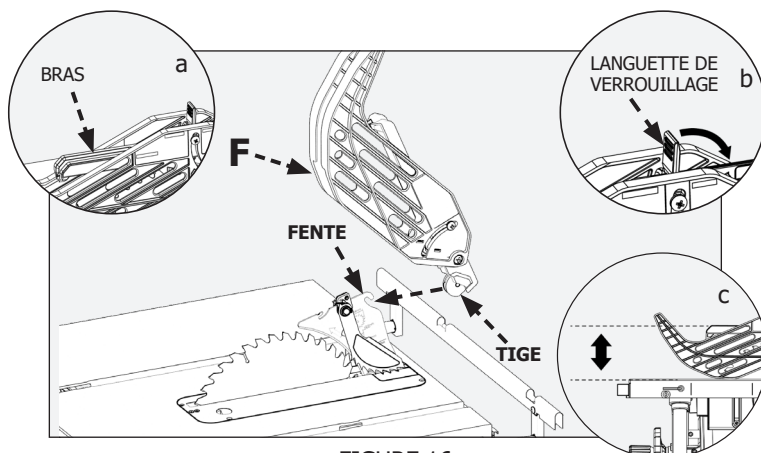


FIGURE 16

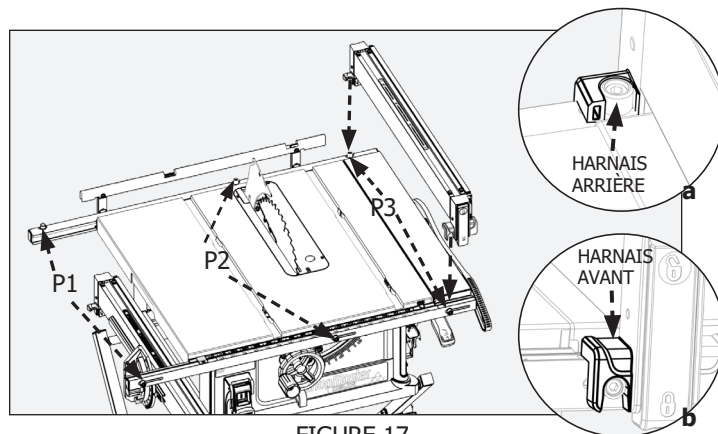


FIGURE 17

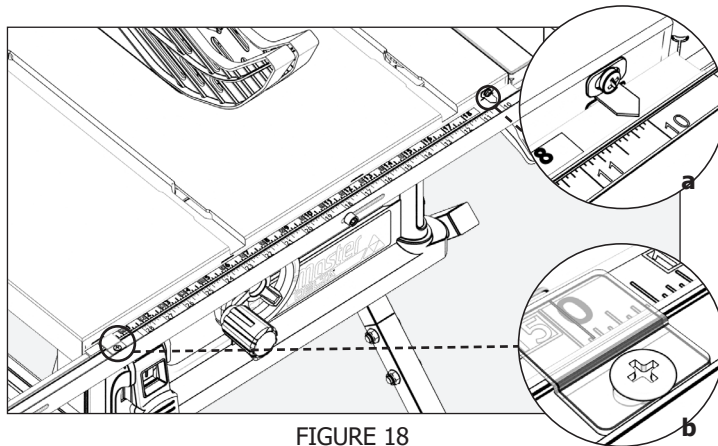


FIGURE 18

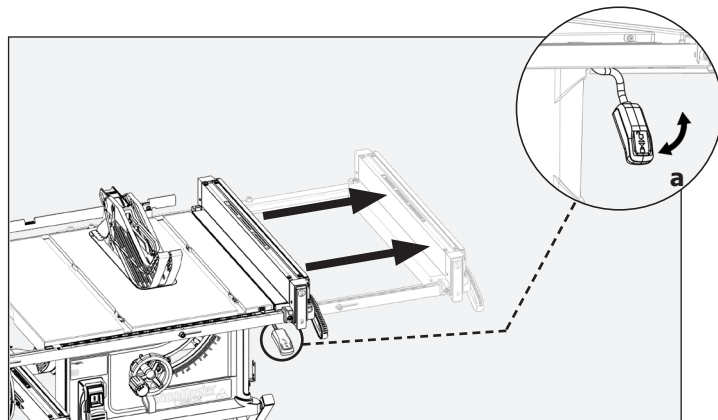


FIGURE 20

UTILISATION

⚠ AVERTISSEMENT : Le non-respect des consignes suivantes peut entraîner des blessures graves.

LISEZ LE GUIDE EN ENTIER. En plus de la lecture de ces directives d'exploitation, il est important de lire et de comprendre le guide en entier avant d'utiliser cette scie. Suivez toutes les directives applicables concernant le montage, la préparation et le réglage avant de faire des coupes et respectez toutes les consignes de sécurité et les avertissements dans cette section et ailleurs de ce guide.

VÉRIFIER LA LISTE SUIVANTE À CHAQUE FOIS QUE VOUS UTILISEZ LA SCIE :

- La source d'alimentation et les branchements sont-ils adéquats pour la scie?
- La scie et la zone de travail sont-elles libres de tout encombrement et de personnes autour?
- La lame est-elle correctement serrée et alignée?
- L'épaisseur du couteau diviseur correspond-elle aux exigences de la lame?
- La lame et le couteau diviseur sont-ils correctement alignés sur la lame?
- L'opérateur est-il qualifié pour faire la coupe et familier avec toutes les règles de sécurité, les avertissements et les directives pertinentes dans ce guide?
- L'opérateur et tous les gens à proximité de la scie portent-ils des protections oculaires et auditives appropriées et un appareil respiratoire?
- Les boutons de réglage d'angle de biseau et d'ajustement de hauteur sont-ils verrouillés à la bonne position?
- La lame est-elle réglée à la bonne hauteur?
- Pour les coupes longitudinales, le guide longitudinal est-il parallèle à la lame et verrouillé en place?
- Pour les coupes transversales, le bouton du guide d'onglet est-il serré?
- Pour les coupes complètes avec une lame standard, les lames du couteau diviseur et les griffes anti-rebond sont-elles correctement fixées et fonctionnant correctement avec les deux protecteurs en contact avec la surface de la table?
- Y a-t-il un dégagement et un soutien adéquats pour la pièce qui entre et sort de la lame?
- Des aides de coupe sont-elles nécessaires? Si oui, sont-

elles en place ou à portée de main pour une utilisation adéquate?

- L'utilisation de pièces et accessoires non approuvés par le fabricant peut entraîner des blessures.
- Remplacer ou aiguiser les griffes anti-rebond lorsque les pointes ne sont plus aiguisées.
- Assurez-vous que la scie est stable et que la coupe peut être réalisée sans renverser la scie.
- N'utilisez jamais le guide longitudinal et le guide d'onglet sans l'utilisation d'un bloc de guide de découpe comme décrit dans la section « Aides de coupe et accessoires » de ce guide.
- La plaque à gorge appropriée doit être en place en tout temps.
- Si votre scie fait un bruit non familier ou si elle vibre trop, cessez les activités immédiatement jusqu'à l'identification de la source et la correction du problème.
- Ne jamais effectuer de coupe à main levée, de coupe en plongée, de resciage ou de coupe de moulure.

ÉVITER LES REBONDS

Un rebond peut se produire lorsque la pièce pince la lame ou se coince entre la lame de la scie et le guide longitudinal ou un autre objet fixe. Cela peut provoquer que la pièce se relève de la table ou soit projetée en arrière vers l'opérateur. Consultez les instructions afin de réduire les risques de rebond dans la section « Règles de sécurité de la scie à table » de ce guide.

EN CAS DE REBOND, mettez la scie hors tension et vérifiez l'alignement de la lame, du couteau diviseur et du guide d'onglet ou du guide longitudinal ainsi que le bon fonctionnement de l'ensemble du couteau diviseur, les griffes anti-rebond et le protège-lame avant de la remettre en marche.

MISE EN MARCHÉ ET ARRÊT DE LA SCIE

L'interrupteur marche/arrêt est situé sur le côté gauche de la face avant de la scie.

Pour mettre la scie en marche, soulevez l'interrupteur.

Pour arrêter la scie, abaissez l'interrupteur.(FIGURE 21)

Lorsqu'elle n'est pas utilisée, la scie doit être éteinte et l'interrupteur d'alimentation doit être verrouillé pour empêcher toute utilisation non autorisée. Pour verrouiller l'interrupteur d'alimentation, utilisez une serrure à arceau long standard, avec un arceau d'au moins 2-3/4 po (70 mm) de long et pas plus de 9/32 po (7 mm) d'épaisseur.

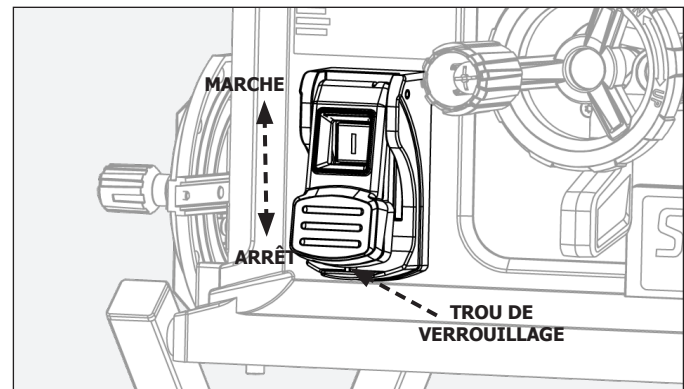


FIGURE 21

Collecteur de poussière

1. Branchez un aspirateur d'atelier ou un tuyau collecteur de poussière sur l'orifice à poussière situé à l'arrière de la scie pour une récupération optimale.

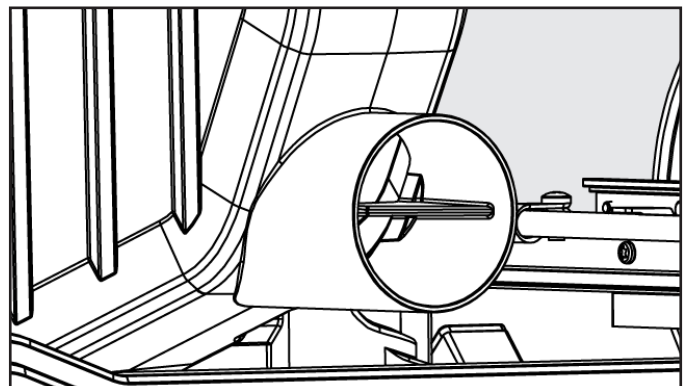


FIGURE 22

ESPACE DE RANGEMENT

RANGEMENT

Le stockage est situé sur le panneau droit, comme indiqué dans les exemples 1 et 2.

C. Poussoir

F. Protège-lame

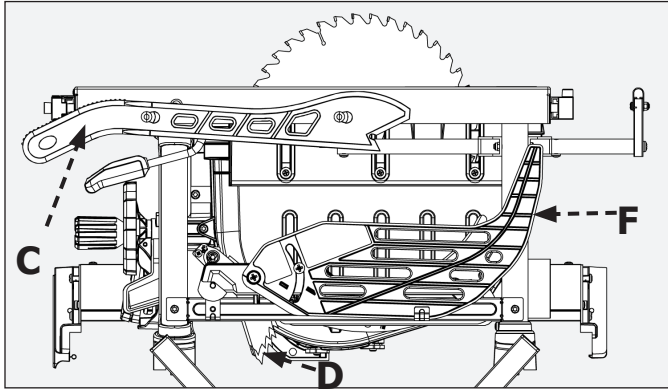
B. Guide longitudinal

E. Couteau diviseur

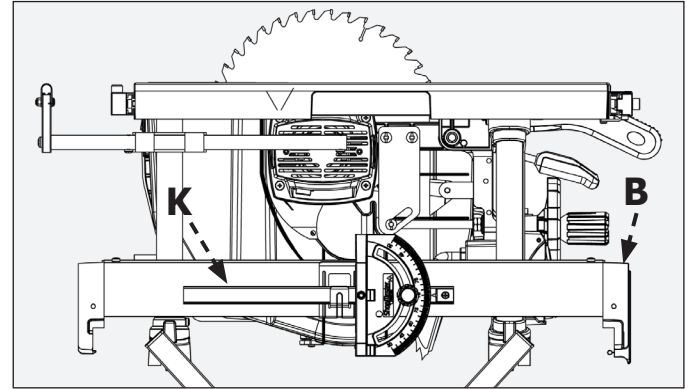
D. Griffes anti-rebond

K. Guide d'onglet

(Derrière Protège-lame)



EXEMPLE 1



EXEMPLE 2

EFFECTUER DES COUPES

⚠ AVERTISSEMENT : Le non-respect des consignes suivantes peut entraîner des blessures graves.

- Ne jamais toucher l'extrémité libre de la pièce ou d'une pièce libre qui est coupée, tandis que l'appareil est sous tension et/ou que la lame de la scie tourne. Un contact avec la lame ou un blocage pourrait se produire, projetant la pièce de travail
- Lors du sciage d'une longue pièce ou d'un panneau, utiliser un support de travail, comme un chevalet, des rouleaux ou une table de sortie à la même hauteur que la surface de la table de la scie.
- Ne jamais essayer de tirer la pièce alors que la lame tourne. Si vous devez retirer la pièce ou la soulever de la table, éteindre l'interrupteur, laisser la lame s'arrêter, soulever les griffes anti-rebond de chaque côté du couteau diviseur, si nécessaire, et faire glisser la pièce.
- Avant de brancher la scie à la source d'alimentation ou de faire fonctionner la scie, toujours vérifier l'ensemble du protège-lame et couteau diviseur pour un bon alignement et l'espace avec la lame de la scie. Vérifier l'alignement après chaque changement d'angle de biseautage.
- Le guide longitudinal doit toujours être utilisé pour les coupes

longitudinales pour éviter la perte de contrôle et des blessures. Verrouillez toujours le guide au rail. NE JAMAIS effectuer une coupe longitudinale à main levée.

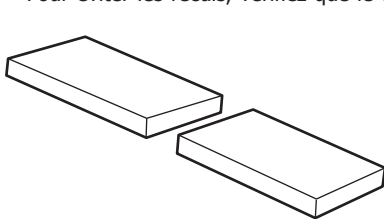
- Lorsque vous effectuez des coupes en biais, placer le guide sur le côté droit de la lame de telle sorte que la lame soit inclinée de l'autre côté du guide et des mains. Garder les mains éloignées de la lame et utiliser un poussoir pour faire avancer la pièce à moins que la pièce soit assez grande pour vous permettre de la tenir à plus de 6 pouces (152 mm) de la lame.
- Avant de laisser la scie sans surveillance, verrouiller l'interrupteur d'alimentation, ou prendre d'autres mesures appropriées pour prévenir l'utilisation non autorisée de la scie.
- Cette scie est conçue pour couper le bois, le contreplaqué, les matériaux de plâtrage composites et certains plastiques lors de l'utilisation de la lame appropriée.
- N'utilisez PAS cette scie pour couper du métal, des carreaux ou d'autres matériaux non mentionnés sur votre lame.

⚠ AVERTISSEMENT

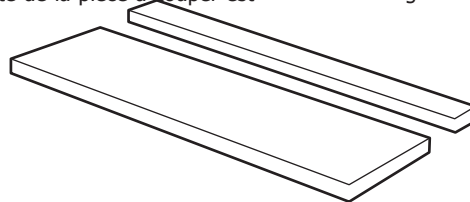
- Veillez à ce que le protège-lame (A) et les cliquets antirecul (B) soient correctement en place et fonctionnels lors de ce type de coupe, afin d'éviter les risques de blessures.
- N'utilisez pas de lames dont la vitesse nominale est moindre que celle de l'outil. Le non-respect de cet avertissement pourrait entraîner des blessures graves.
- Pour éviter les reculs, vérifiez que le côté de la pièce à couper est

placé solidement contre le guide de refente pour la coupe en long; pour la coupe à onglets, maintenez fermement la pièce à couper contre le guide d'onglets.

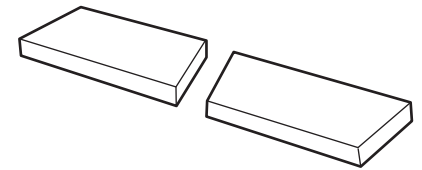
- Ne tentez pas d'effectuer des coupes à onglets combinées, avec la lame en biseau et le guide d'onglets, avant d'être entièrement familier avec les coupes de base et de bien comprendre les méthodes de prévention des reculs.
- Évitez les coupes en biseau avec une majorité de matériau sur le côté gauche de la lame.



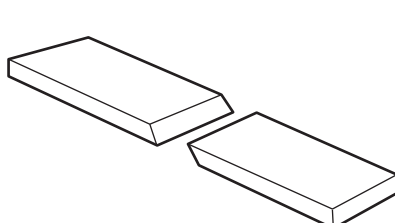
Coupe transversale



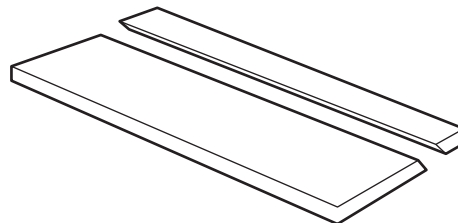
Coupe longitudinale



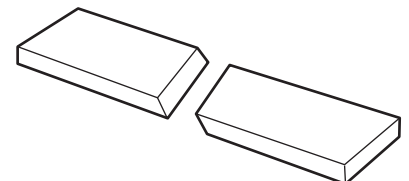
Coupe d'onglet transversale



Coupe transversale biseautée



Coupe longitudinale biseautée



Coupe d'onglet composée

EFFECTUER DES COUPES

COUPES LONGITUDINALES

- Découpe à la déchirure: la coupe à la déchirure est effectuée principalement dans une direction parallèle au grain du bois.
- Assurez-vous que la lame est parallèle à la fente du calibre d'onglet avant de couper. Instructions de réglage à la page 46.
 1. Retirer le guide d'onglets
 2. S'assurer que l'angle de biseau est réglé à 0° .
 3. Régler la lame à la bonne hauteur pour la pièce de travail.
 4. Installer le guide longitudinal et le verrouiller parallèlement et à distance souhaitée de la lame.
 5. Garder les doigts à au moins 6 pouces de la lame en tout temps. Si la main ne peut pas être placée en toute sécurité entre la lame et le guide longitudinal, sélectionner une pièce plus grande ou utiliser un poussoir et autres aides de coupe, si nécessaire, pour contrôler la pièce.
 6. S'assurer que la pièce est à (au moins 1 pouce, ou 25 mm de distance) de la lame avant de démarrer la scie
 7. Mettre la scie en marche.
 8. Tenir la pièce à plat sur la table et contre le guide (A). La pièce doit avoir un bord droit contre le guide et ne doit pas être déformée, tordue ou courbée. Voir la position appropriée des mains sur la figure 22.
 9. Laisser la lame atteindre sa vitesse maximale avant de déplacer la pièce vers la lame.
 10. Les deux mains peuvent être utilisées lors du démarrage de la coupe aussi longtemps qu'elles restent à 6 pouces de la lame.
 11. Garder la pièce contre la table et le guide et pousser lentement la pièce vers l'arrière complètement dans la lame de scie. Ne pas surcharger le moteur en forçant la pièce dans la lame.
 12. Utilisez le poussoir et d'autres aides de coupe, si nécessaire, pour maintenir la pièce contre la table et le guide et poussez la pièce au-delà de la lame. Un poussoir est inclus avec cette scie, et des directives sont incluses pour fabriquer des poussoirs supplémentaires et d'autres aides de coupe.

COUPE LONGITUDINALE EN BISEAU

Les coupes longitudinales en biseau sont pareilles aux coupes longitudinales sauf que l'angle de biseau (A) est réglé à un angle autre que 0° . Lors des coupes longitudinales en biseau, placez le guide sur le côté droit de la lame afin qu'elle soit inclinée de l'autre côté du guide et des mains (figure 24).

13. Ne pas pousser ou se tenir sur le côté libre ou de coupe de la pièce.
14. Continuer à pousser la pièce jusqu'à ce qu'elle ait dépassé la lame. Ne pas surcharger le moteur en forçant la pièce dans la lame.
15. Lorsque la coupe est terminée, arrêter la scie. Attendre que la lame vienne à un arrêt complet avant de retirer la pièce de la table.

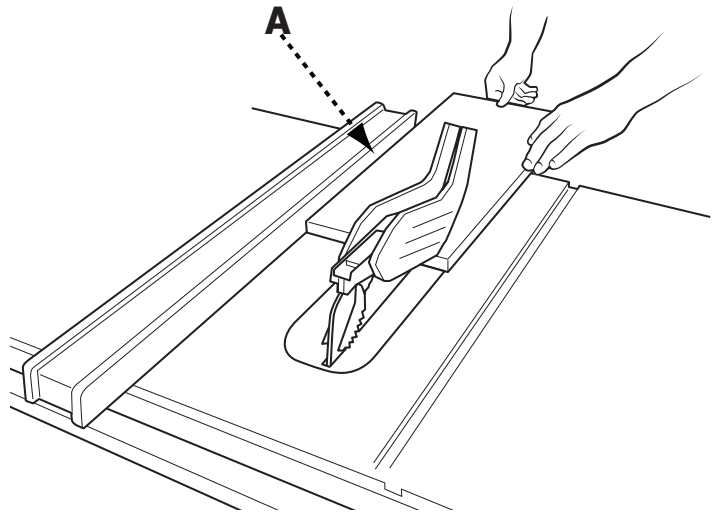


FIGURE 23

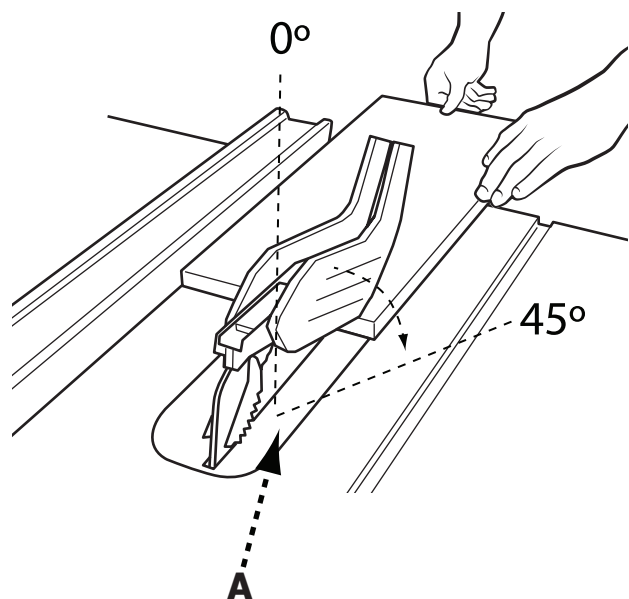


FIGURE 24

EFFECTUER DES COUPES

COUPE TRANSVERSALE

- Coupe transversale: La coupe transversale est effectuée principalement dans une direction perpendiculaire au grain du bois.
- Assurez-vous que la lame est parallèle à la fente du calibre d'onglet avant de couper. Instructions de réglage à la page 46.

⚠ AVERTISSEMENT :

- **N'UTILISEZ JAMAIS** le guide comme guide ou butée de longueur lors de coupes transversales.
- La pièce de découpe ne doit jamais être confinée dans toute coupe complète (coupe complète à travers la pièce) — pour éviter de pincer la lame, ce qui peut entraîner que la pièce soit projetée et causer des blessures.
- Lors de l'utilisation d'un bloc comme jauge de coupure, le bloc doit être d'au moins $\frac{3}{4}$ po (19 mm) d'épaisseur. Il est très important que l'extrémité arrière du bloc soit fixée à une position à laquelle la pièce est dégagée du bloc avant son entrée dans la lame pour empêcher que la pièce se coince.

Vous pouvez utiliser le guide d'onglet dans l'une ou l'autre des fentes de table lors de coupes non biseautées. Pour augmenter la surface de la face du guide d'onglet, ajoutez une face auxiliaire (voir la section sur les aides de coupe de ce guide.)

POUR EFFECTUER UNE COUPE TRANSVERSALE, CONSULTEZ LA FIGURE 26 ET SUIVEZ CETTE PROCÉDURE :

1. Retirer le guide longitudinal.
2. S'assurer que l'angle de biseau est réglé à 0° .
3. Régler la lame à la bonne hauteur pour la pièce de travail.
4. Placer le guide d'onglet dans l'une des fentes.
5. Régler le guide d'onglet à 90° et serrer le bouton de verrouillage.
6. Les mains doivent rester à au moins 6 pouces de la lame pendant toute la coupe. Si la pièce est trop petite pour garder les mains à au moins 6 pouces de la lame,

COUPES TRANSVERSALES EN BISEAU

Les coupes transversales en biseau sont pareilles aux coupes transversales sauf que l'angle de biseau (A) est réglé à un angle autre que 0° . Lors d'une coupe transversale en biseau, placez le guide d'onglet dans la fente d'onglet à droite de sorte que la lame soit inclinée de l'autre côté de la jauge et des mains (Figure 25).

COUPE TRANSVERSALE D'ONGLET

Les coupes transversales d'onglet sont pareilles aux coupes transversales sauf que l'angle de l'onglet (B) est réglé à un angle autre que 90° (figure 26).

⚠ AVERTISSEMENT :

- Les angles d'onglet de plus de 45° peuvent forcer l'ensemble du protège-lame dans la lame de la scie et causer des dommages à l'ensemble du protège-lame et des blessures. Avant de démarrer le moteur, vérifier le fonctionnement en poussant la pièce dans l'ensemble du protège-lame. Si l'ensemble du protège-lame entre en contact avec la lame, placer la pièce sous l'ensemble du protège-lame, mais ne touchant pas la lame, avant de démarrer le moteur.

sélectionner une pièce plus grande, ou joindre une face auxiliaire au guide d'onglets et fixer la pièce à face auxiliaire; pour des directives sur les faces auxiliaires, voir la section sur les aides de coupe de ce guide.

7. S'assurer que la pièce est - à au moins 1 pouce, ou 25 mm de distance - de la lame, avant de démarrer la scie.
8. Mettre la scie en marche.
9. Laisser la lame atteindre sa vitesse maximale avant de déplacer la pièce vers la lame.
10. La main la plus proche de la lame doit être placée sur bouton de verrouillage du guide d'onglet et la plus éloignée de la lame doit tenir la pièce fermement contre la face du guide d'onglet. Ne pas pousser ou se tenir sur le côté libre ou de coupe de la pièce.
11. Pousser lentement la pièce vers l'arrière complètement dans la lame de la scie. Ne pas surcharger le moteur en forçant la pièce dans la lame.
12. Lorsque la coupe est terminée, arrêter la scie. Attendre que la lame vienne à un arrêt complet avant de retirer la pièce de la table.

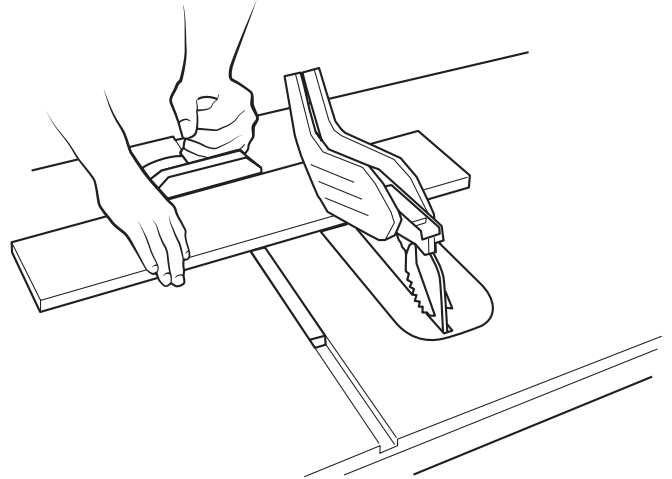


FIGURE 25

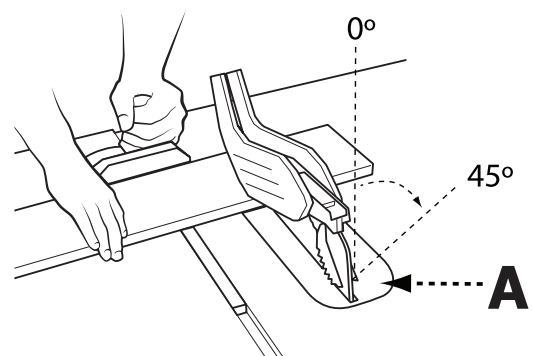


FIGURE 26

- Certaines formes de pièces, telles que les moulures peuvent ne pas lever l'ensemble du protège-lame correctement. Avec la mise hors tension, pousser la pièce lentement dans la zone du protège-lame et jusqu'à ce que la pièce touche la lame. Si l'ensemble du protège-lame entre en contact avec la lame, placer la pièce sous l'ensemble du protège-lame, mais ne touchant pas la lame, avant de démarrer le moteur.

EFFECTUER DES COUPES

COUPE D'ONGLET COMBINÉE

Ceci est une combinaison de coupe transversale en biseau et d'onglet. Consultez la figure 27 et suivez les directives pour les coupes transversales en biseau et d'onglet. Utilisez la fente d'onglet à droite sur le côté droit de la lame pour toutes les coupes en biseau.

COUPES DE GRANDS PANNEAUX

Placer les supports de pièce à la même hauteur que la table de scie, derrière la scie pour soutenir la pièce de coupe, et aux côtés de la scie, au besoin. Selon la forme du panneau, utiliser le guide longitudinal ou le guide d'onglet pour contrôler la pièce. Si une pièce est trop grande pour utiliser un guide longitudinal ou le guide d'onglet, elle est trop grande pour cette scie.

COUPES INCOMPLÈTES

L'utilisation d'une coupe incomplète est essentielle pour tailler des rainures et des feuillures. Les coupes incomplètes peuvent être réalisées en utilisant une lame standard ayant un diamètre de 10 pouces. Les coupes incomplètes sont le seul type de coupes qui devraient être faites sans l'ensemble du protège-lame installé. S'assurer que l'ensemble du protège-lame est réinstallé à la fin de ce type de coupe.

⚠ AVERTISSEMENT :

- Pour les coupes incomplètes, suivre tous les avertissements et les directives indiqués ci-dessous, en plus de ceux énumérés ci-dessus pour la coupe en question.
- Lors d'une coupe incomplète, la lame est couverte par la pièce pendant presque toute la coupe. Il faut être attentif à la lame exposée au début et à la fin de chaque coupe.
- Ne jamais pousser le bois avec les mains lors de coupes incomplètes telles que les feuillures ou rainures. Toujours utiliser le guide d'onglet, les pousoirs et un cale-guide le cas échéant.
- En plus de cette section, lisez la section appropriée qui décrit le type de coupe. Par exemple, si votre coupe incomplète est une coupe transversale droite, il faut lire et comprendre la section sur les coupes transversales droites avant de poursuivre.
- Une fois que toutes les coupes incomplètes sont terminées, débrancher la scie et retourner le couteau diviseur à la position de coupe complète. Installer les griffes anti-rebond et le protège-lame.
- Suivre attentivement les directives accompagnant des lames spécialisées pour une bonne installation, mise en place et fonctionnement.

AJUSTER LA LAME PARALLÈLE À LA RAINURE DU GUIDE D'ONGLETS

- La lame (A) doit être parallèle à la rainure du guide d'onglets afin d'éviter que le bois se coince, ce qui entraînerait un recul. Le non-respect de cette directive pourrait entraîner des blessures graves.
- Pour réduire le risque de blessures causées par un recul, alignez le guide de refente à la lame (A) après tout ajustement de la lame.

Ne desserrez pas les vis pour cet ajustement avant que l'alignement ait été vérifié à l'aide d'une équerre, afin de valider si un ajustement est nécessaire. Une fois les vis desserrées, tous les réglages **doivent** être refaits.

Note: Débranchez la scie. Retirez le protège-lame et les cliquets antirecul. Elevez la lame (A) en tournant le volant d'ajustement de la hauteur.

1. Faites une marque sur le côté de l'une des dents, à l'avant de la lame (A). Placez une équerre combinée à égalité avec l'avant de la table et le côté de la lame (A), tel qu'illustré.
2. Faites tourner la lame (A) afin que la dent marquée se retrouve à l'arrière. Déplacez l'équerre combinée à l'arrière et mesurez la distance à nouveau. Si les deux distances sont égales, la lame (A) est droite.

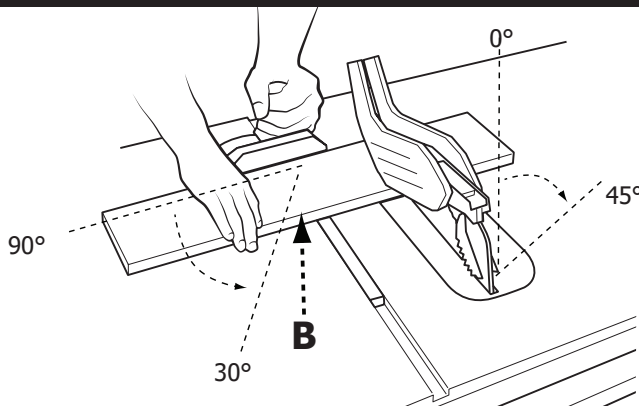
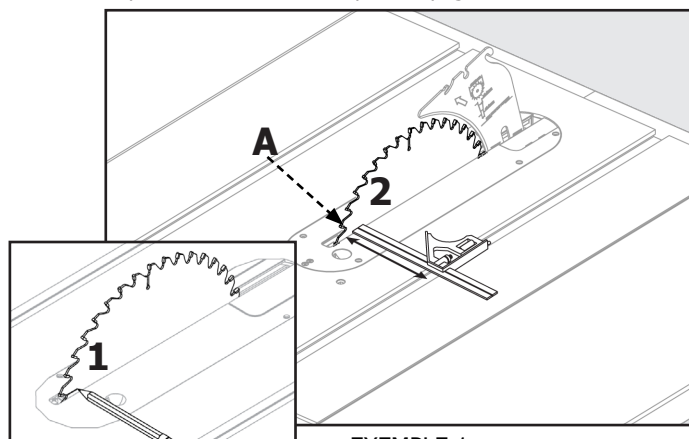


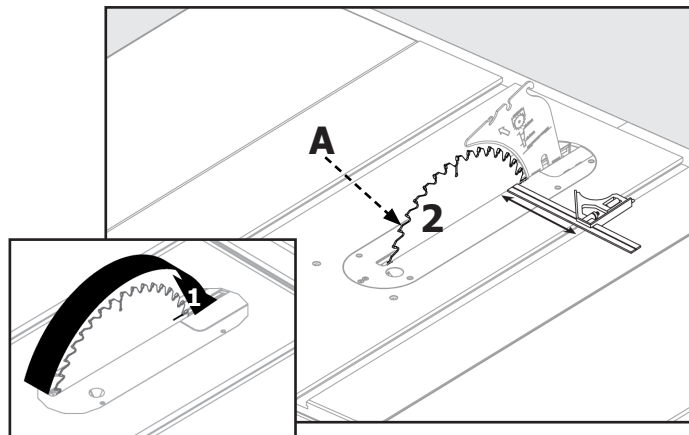
FIGURE 27

EFFECTUER UNE COUPE INCOMPLÈTE

1. Débrancher la scie.
2. Déverrouiller le verrouillage de biseau.
3. Ajuster l'angle de biseau à 0°.
4. Verrouiller le verrouillage de biseau.
5. Retirer le protège-lame et les griffes anti-rebond.
6. Placer le couteau diviseur en position « abaissé ». (Voir la section sur le RÉGLAGE DU COUPEAU DIVISEUR)
7. Régler la lame à la bonne profondeur pour la pièce de travail.
8. Selon la forme et la taille du bois, utiliser le guide longitudinal ou le guide d'onglet.
9. Brancher la scie dans la source d'alimentation et la mettre en marche.
10. Laisser la lame atteindre sa vitesse maximale avant de déplacer la pièce vers la lame.
11. Utilisez toujours des blocs-poussoirs, des bâtons poussoirs et/ou cale-guides lors des coupes incomplètes pour réduire le risque de blessures graves.
12. Lorsque la coupe est terminée, arrêter la scie. Attendre que la lame vienne à un arrêt complet avant de retirer la pièce de la table.
13. Une fois la coupe terminée, réajustez le couteau diviseur pour le positionner comme indiqué à la page 39.



EXEMPLE 1



EXEMPLE 2

POUSSOIR

Afin de faire fonctionner la scie circulaire à table en toute sécurité, vous devez utiliser un poussoir chaque fois que la taille ou la forme de la pièce ferait en sorte que vos mains seraient à 6 pouces (152 mm) de la lame de la scie ou autre outil de coupe. Un poussoir est fourni avec cette scie.

Aucun bois spécial n'est nécessaire pour fabriquer des poussoirs supplémentaires tant qu'ils sont robustes et assez longs et que le bois est exempt de nœuds, de craques et de fissures. Une longueur de 16 pouces (400 mm) est recommandée avec une encoche qui s'accote contre le bord de la pièce pour l'empêcher de glisser. C'est une bonne idée d'avoir plusieurs poussoirs de la même longueur minimum, 16 pouces (400mm), avec différentes tailles d'encoches pour les différentes épaisseurs de pièces.

La forme peut varier en fonction de vos besoins tant que le poussoir remplit sa fonction prévue de garder vos mains loin de la lame. Placer l'encoche de sorte que le poussoir puisse être maintenu à un angle de 20 à 30 degrés par rapport à la table de la scie vous aidera à maintenir la pièce tout en déplaçant la scie.

Pour construire un poussoir, consultez l'illustration de la figure 28.

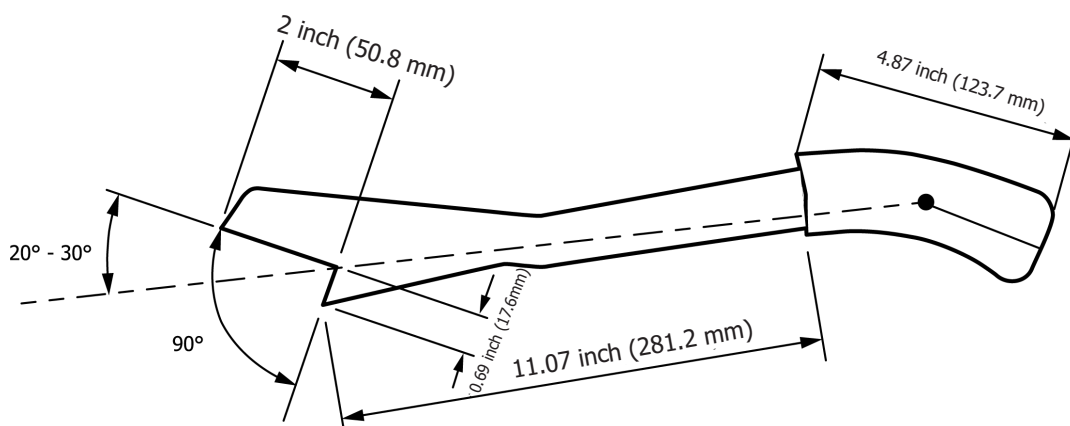


FIGURE 28

FACE DE GUIDE D'ONGLET AUXILIAIRE

Une face de guide d'onglet auxiliaire est utilisée pour augmenter la zone de surface de la face du guide d'onglet.

L'utilisation de la jauge à onglets avec revêtement auxiliaire est identique à celle d'origine (sans revêtement auxiliaire). Voir page 50 pour l'utilisation de la jauge à onglets.

Si vous le souhaitez, vous pouvez adapter le guide à onglets avec un parement de bois auxiliaire qui doit être d'au moins 1 pouce (25 mm) plus haut que la profondeur de coupe maximale, et au moins aussi large que le guide d'onglet.

Ce parement de bois auxiliaire peut être fixé à l'avant du guide d'onglet en utilisant (2) vis M6 ou de 1/4-20 écrous à tête plate, en plaçant les écrous dans les fentes prévues dans la face du corps du guide d'onglet (Figure 29).

S'assurer que les vis sont suffisamment longues pour fixer le parement.

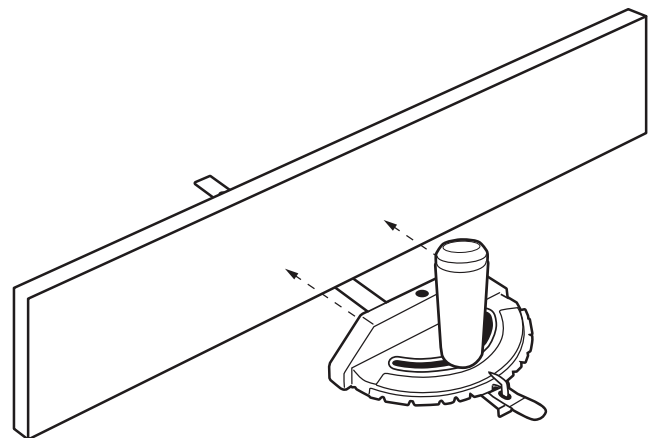


FIGURE 29

⚠ AVERTISSEMENT : La tête plate doit être encastrée dans la face du parement.

AIDES DE COUPE ET ACCESSOIRES

BLOC POUSSOIR

Les blocs-poussoirs servent à maintenir la pièce à couper contre la table. Ils comprennent une surface de préhension ou une poignée pour la manipulation. Toute vis passant à travers le bloc devrait être en retrait afin d'éviter tout contact avec la pièce à couper.

1. Sélectionner un morceau de bois d'environ 4 pouces de large, 6 pouces de long et de 1 à 2 pouces d'épaisseur (une découpe de 2 par 4 fait un bon morceau pour un bloc de poussée).
2. Percer un trou dans le bloc et coller une cheville pour l'utiliser comme poignée (vous pouvez faire le trou en angle pour avoir une bonne prise de main sur la poignée).
3. Coller un morceau de matériau brut ou mou comme du papier de verre ou du caoutchouc au fond du bloc pour saisir la pièce (un ancien tapis de souris fonctionne bien). (figure 30).

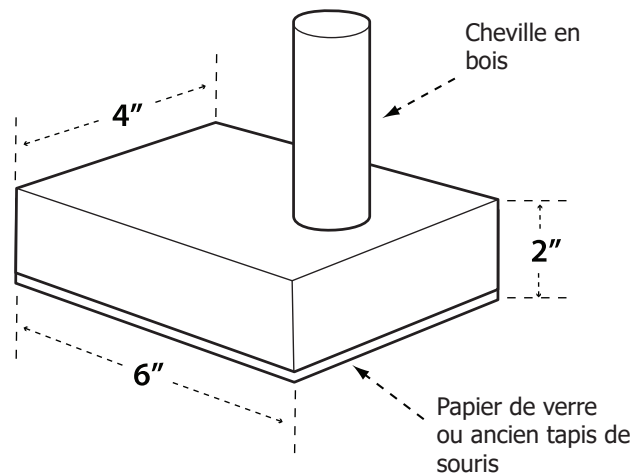


FIGURE 30

GUIDE DE PRESSION

Les guides de pression sont utilisés pour maintenir la pièce en contact avec le guide et la table (figure 31) et aider à prévenir les rebonds. Les cale-guides sont particulièrement utiles lors de la coupe de petites pièces et pour compléter les coupes incomplètes. L'extrémité est inclinée avec une série de fentes étroites pour donner une prise de frottement sur la pièce; il est verrouillé en place sur la table ou le guide avec un étoupe en C. Le serrage d'une planche de plumes devant la lame peut augmenter la sécurité lors de coupes non profondes, telles que le rainurage et le frottis, et les coupes transversantes.

⚠ AVERTISSEMENT : POUR ÉVITER UN COINCEMENT ENTRE LA PIÈCE ET LA LAME, S'ASSURER QUE LE CALE-GUIDE S'APPUIE SEULEMENT SUR LA PARTIE NON COUPÉE DE LA PIÈCE EN FACE DE LA LAME.

Les dimensions pour la fabrication d'un guide de pression typique sont présentées sur la figure 31. Fabriquez votre guide de pression à partir d'un morceau

de bois rectiligne exempt de nœuds et de fissures. Fixer la cale-guide au guide ou à la table de sorte qu'il tienne la pièce contre le guide ou la table.

1. Sélectionnez un morceau de bois d'environ $\frac{3}{4}$ de pouce d'épaisseur, 2 $\frac{1}{2}$ pouces de large et 12 pouces de long.
2. Marquer la largeur du centre sur une extrémité. Largeur d'onglet à 70° (voir la section sur les coupes d'onglet pour des informations sur les coupes d'onglet).
3. Réglez le guide longitudinal pour permettre à un « doigt » $\frac{1}{4}$ pouce d'être coupé.
4. Pousser seulement jusqu'à la marque précédemment faite à 6 pouces.
5. Éteignez la scie et attendez que la lame s'arrête complètement de tourner avant de retirer la pièce.
6. Réglez le guide longitudinal de nouveau et effectuez des coupes longitudinales espacées dans la pièce pour avoir des espaces d'environ $\frac{1}{4}$ pouce et $\frac{1}{8}$ pouce entre les doigts.

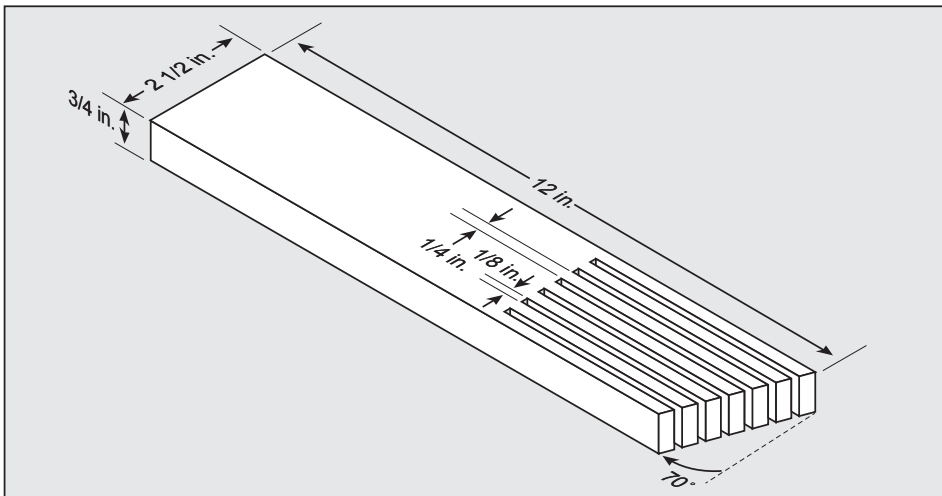


FIGURE 31A

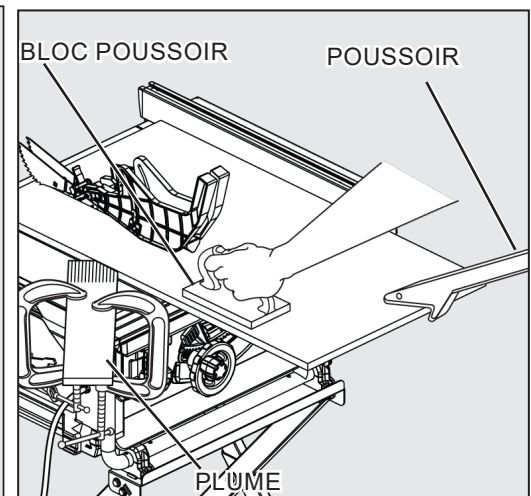


FIGURE 31B

AIDES DE COUPE ET ACCESSOIRES

JAUGE DE DÉCOUPE

Lors de la coupe transversale d'un certain nombre de pièces de la même longueur, vous pouvez fixer un bloc de bois (A) au guide et l'utiliser comme une jauge de découpe. Le bloc (A) doit être d'au moins $\frac{3}{4}$ po (19 mm) d'épaisseur pour empêcher la pièce coupée de se coincer entre la lame et le guide. Une fois que la longueur de découpe est déterminée, verrouiller le guide et utiliser le guide d'onglet pour pousser la pièce dans la lame.

▲ MISE EN GARDE : Placez toujours la jauge de découpe complète en face de la lame de la scie.

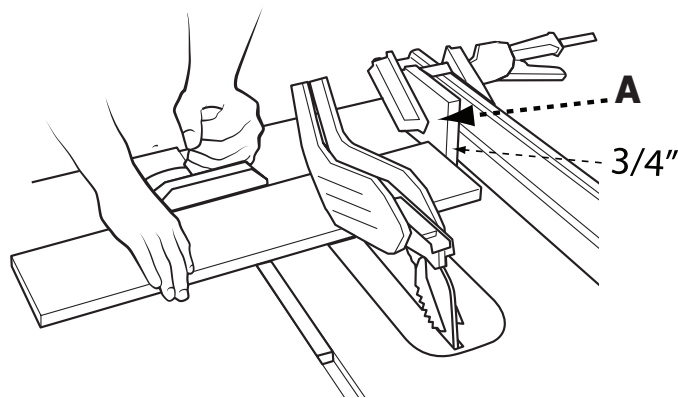


FIGURE 32

GABARITS

Des gabarits peuvent être créés avec une variété de réglages spéciaux pour contrôler des formes particulières de pièces pour des coupes particulières. Des conseils sur la façon de faire des gabarits spécialisés peut être trouvés sur les sites Web et dans les publications sur les travaux de bois et de menuiserie.

▲ MISE EN GARDE : NE PAS ESSAYER DE CRÉER OU D'UTILISER UN GABARIT, SAUF SI VOUS ÊTES FAMILIER AVEC LES MESURES DE SÉCURITÉ DE LA SCIE. NE PAS UTILISER DE GABARIT QUI POURRAIT CAUSER UN PINCEMENT DE SAIGNÉE OU UN COINCEMENT DE PIÈCE ENTRE LE GABARIT ET LA LAME. DES CONFIGURATIONS INCORRECTES POURRAIENT CAUSER UN REBOND QUI POURRAIT ENTRAÎNER DES BLESSURES GRAVES.

EFFECTUER DES RÉGLAGES

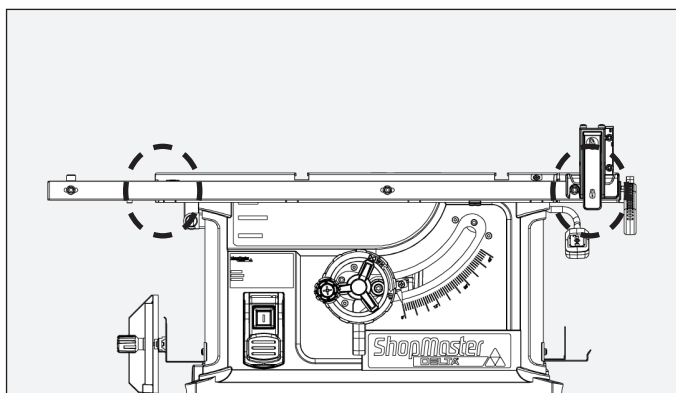
MISE À NIVEAU DE LA PASSE-LAME

Vérifier que la plaque à gorge est bien ajustée à la table. L'avant de la passe-lame doit être au niveau ou légèrement en dessous de la surface de la table et l'arrière de la passe-lame doit être au niveau ou légèrement au-dessus de la surface de la table. (figure 13)

Quatre vis de réglage hexagonales (A) sont préassemblées à la table afin de niveler la passe-lame (figure 14). Si la passe-lame n'est pas au ras de la surface de la table, ajustez les vis afin qu'elle soit entièrement est au ras de la table (figure 14).

DÉPLACER LA SCIE

Pour déplacer fermement la scie, saisissez les côtés gauche et droit de la table. Soulevez la scie et déplacez-vous à l'emplacement souhaité. Voir exemple.



Exemple

CHANGEMENT DU BISEAU

1. Déverrouiller le levier de verrouillage du biseau en le montant à la position (horizontale).
2. En tenant la molette de réglage de hauteur, faire glisser l'indicateur de biseau à l'angle désiré.
3. Lorsque la lame est à l'angle désiré, verrouiller le levier de verrouillage de biseau en le poussant vers le bas (vertical).

REMARQUE : Pour les positions de verrouillage et de déverrouillage, voir la figure 34.

EFFECTUER DES RÉGLAGES

RÉGLAGE DES BUTÉES DU BISEAU

Des réglages de butées de biseau peuvent être nécessaires si la lame n'est pas à l'équerre avec la table lorsque le réglage d'angle est fixé à 0 ° ou ne va pas à 45 ° lorsque le biseau est incliné à 45 °, maximum 45 °.

Des réglages correctifs peuvent être apportés en ajustant les cames de butée de biseau à chaque extrémité du rail de biseau comme suit;

Si la lame n'est pas à l'équerre avec la table, réglez la came de butée de biseau à 0 ° comme le montre la figure 33.

1. Déverrouillez le levier de verrouillage de biseau et positionnez l'ensemble de molette de réglage de hauteur/verrou de biseau vers la droite afin d'accéder à la came de butée de biseau à 0 °.
2. Desserrez la vis à tête cylindrique qui bloque la came de butée à 0 ° (au centre de la came). Comme le montre la figure 32
3. Déplacez l'ensemble de molette de réglage de hauteur/verrouillage de biseau à la came de butée de biseau à 0 ° en veillant à ce que l'ensemble soit en contact avec la came de butée de biseau à 0 °. Vérifiez l'équerrage de la lame avec la table à l'aide d'une équerre combinée; tournez la came de butée de biseau au besoin jusqu'à ce que la lame soit à l'équerre avec la table.
4. Serrer la vis à tête cylindrique qui verrouille la came de butée de biseau. Vérifier à nouveau que la lame est à l'équerre avec la table. Réajuster au besoin.

Si la lame n'est pas à 45 ° de la table lorsqu'elle est inclinée à la came de butée de biseau à 45 °, suivez les étapes 1 à 4 en ajustant la came à 45 ° en utilisant le côté à 45 ° de l'équerre combinée (figure 34).

RÉGLAGE DE LA HAUTEUR DE LA SCIE

Pour toutes les coupes complètes, le haut des pointes de la lame doit être au-dessus de la pièce et le bas de la lame en dessous de la surface supérieure de la pièce.

Pour les coupes incomplètes, le haut des pointes de la lame doit être réglé à la profondeur de la coupe.

Pour régler la hauteur de la lame, consultez la figure 35 et procédez comme suit :

S'assurer que le levier de verrouillage de biseau est à la position verrouillée (vers le bas).

Régler la hauteur de la lame en tournant la molette de réglage de hauteur. Tourner dans le sens horaire lèvera la lame et dans le sens antihoraire abaissera la lame.

UTILISATION DU GUIDE D'ONGLET

Il y a deux rainures de guide d'onglet sur chaque côté de la lame, maximum 30 °. Lors de coupes transversales à 90 °, utilisez l'une des rainures. Pour les coupes transversales biseautées, utilisez la rainure de droite de sorte que la lame soit inclinée de l'autre côté du guide d'onglet (G) et des mains (FIGURE 36).

Pour régler l'angle du guide d'onglet, desserrez le bouton de verrouillage du guide d'onglet. Tournez la jauge jusqu'à ce que l'angle désiré sur l'échelle soit atteint. Serrer le bouton.

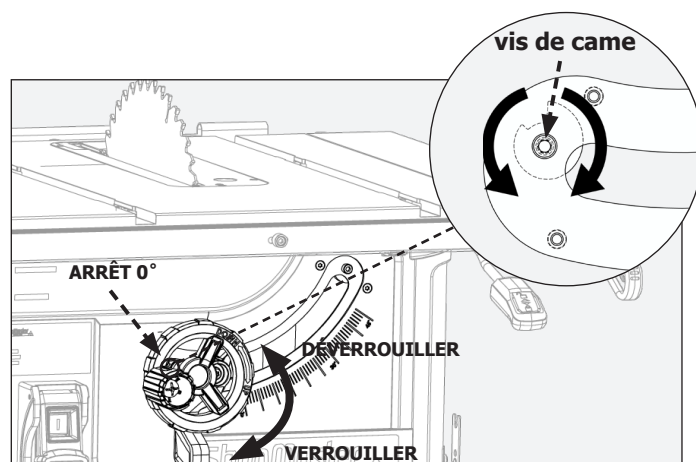


FIGURE 33

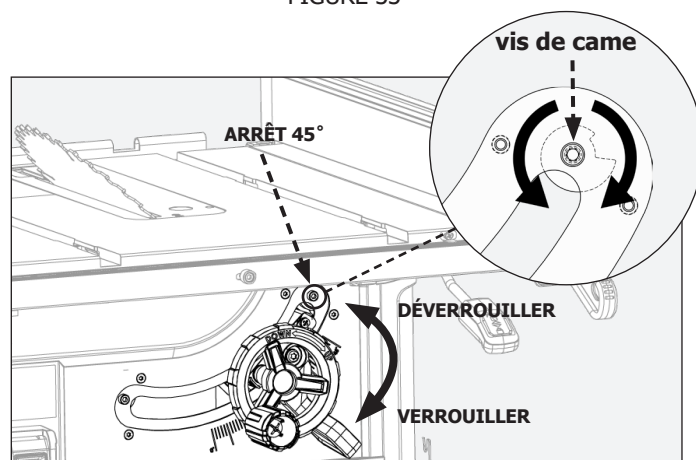


FIGURE 34

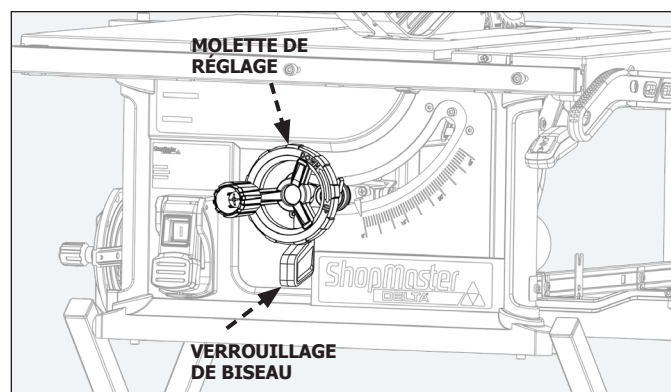


FIGURE 35

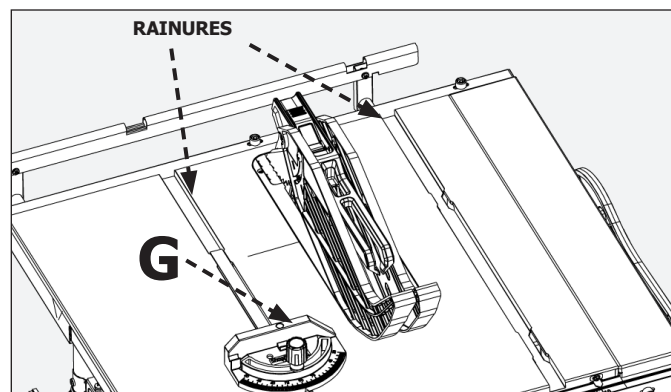


FIGURE 36

RÉGLAGE DU COUTEAU DIVISEUR

RÉGLAGE DE LA HAUTEUR ET DE L'ALIGNEMENT DU COUTEAU DIVISEUR

Pour changer la position du couteau diviseur, retirer la plaque à gorge, puis soulever l'ensemble de la lame à la position la plus haute en tournant la molette de réglage de hauteur dans le sens horaire sur le devant de la scie.

Pour régler le couteau diviseur d'une position à l'autre (coupes complètes/incomplètes), soulevez le levier du couteau diviseur vers la position haute pour le déverrouiller (figure 36). Ensuite, déplacez doucement le couteau diviseur vers la droite pour dégager les goupilles de verrouillage dans l'ensemble de verrouillage du couteau diviseur, puis faites-le glisser vers le haut et en avant pour les coupes complètes ou vers le bas et à l'arrière pour les coupes incomplètes jusqu'à ce que vous sentiez que les goupilles de verrouillage engagent le couteau diviseur (figure 37). Le couteau diviseur est marqué avec les positions de Coupe Complète et Coupe Incomplète qui s'alignent avec la surface de la table lorsque la position est correcte. Pousser le levier de couteau diviseur pour verrouiller le couteau diviseur en place comme le montre la figure 36a. L'ensemble du couteau diviseur doit ressembler à ce qui est représenté à la figure 36b.

Lorsque le couteau diviseur est correctement ajusté, réinsérez la passe-lame (figure 13).

ALIGNEMENT DU COUTEAU DIVISEUR

Le couteau diviseur peut être désaligné si la pièce heurte le couteau diviseur après la coupe ou cause un certain coincement pendant la coupe. Dans ces cas, procéder à une modification de l'alignement du couteau diviseur. Les procédures suivantes dans cette section vous aideront à faire des réglages de l'alignement du couteau diviseur.

Le point de localisation pour la POSITION DE COUPE COMPLÈTE est comme illustré sur la figure 38. (L'opérateur doit ajuster le couteau diviseur à cette position lors de coupes « COMPLÈTES »)

REMARQUE : Le couteau diviseur doit être dans cette position avant de faire des réglages d'alignement pour l'alignement du couteau diviseur de la lame.

Si un réglage parallèle est nécessaire, utiliser les figures 38 et 39 pour faire les réglages suivants :

1. Desserrez les 2 vis à six pans creux (AA)
2. Serrez ou desserrez la vis de réglage (BB1) pour ajuster la ligne de référence afin que le couteau diviseur soit aligné avec la lame.
3. Régler les vis de réglage (BB2) et (BB3), pour aider à l'alignement du couteau diviseur à être parallèle à la lame.
4. Serrer les vis à six pans creux (AA).

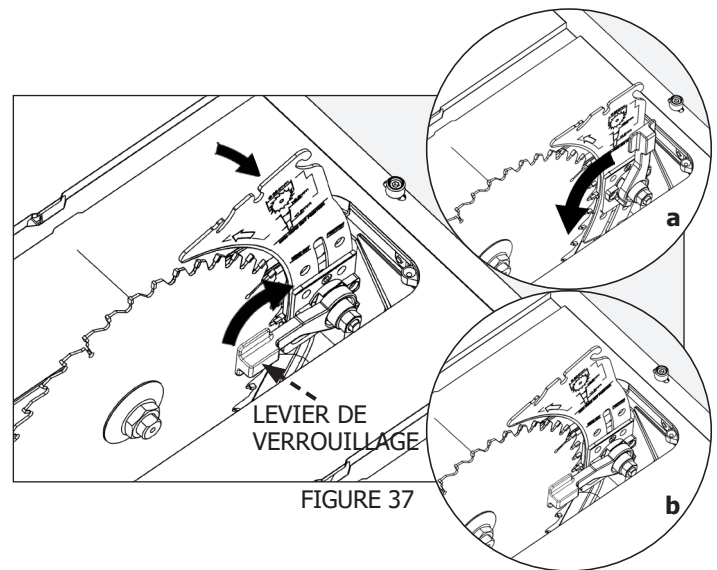


FIGURE 37

⚠ AVERTISSEMENT :

- Vérifier que le couteau diviseur est bien fixé et aligné avec la lame.

⚠ AVERTISSEMENT :

- Assurez-vous de réinstaller l'ensemble protège-lame et les griffes anti-rebond lorsque le couteau diviseur est en position de coupe complète.

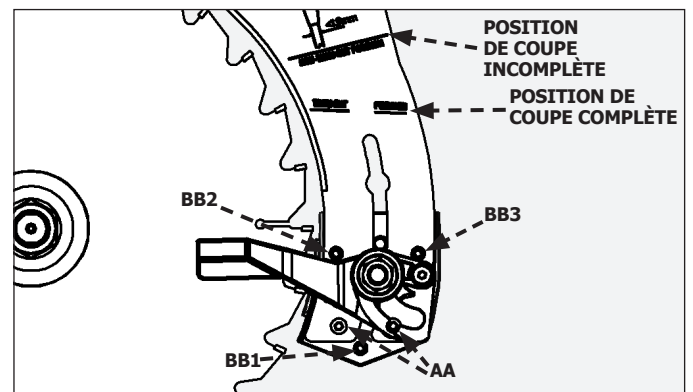


FIGURE 38

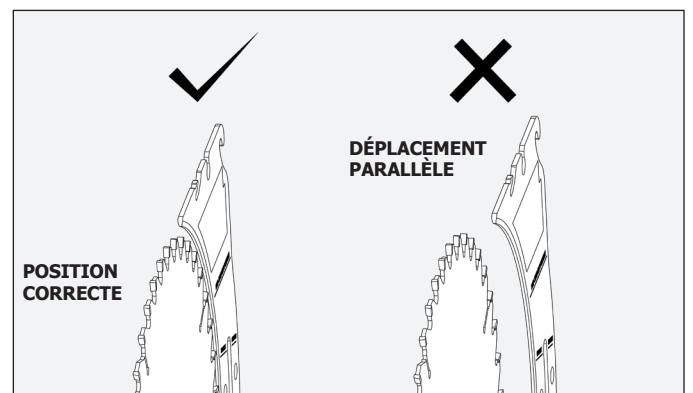


FIGURE 39

ALIGNEMENT DU COUTEAU DIVISEUR

Si le couteau diviseur a un mauvais alignement vertical, le régler comme suit en utilisant les figures 38 et 40 :

1. Desserrez les 2 vis à six pans creux (AA)
2. Procédez aux réglages (BB2) et (BB3) pour aligner le couteau diviseur avec la lame. Aucun réglage n'est nécessaire pour (BB1).
3. Serrer les vis (AA).

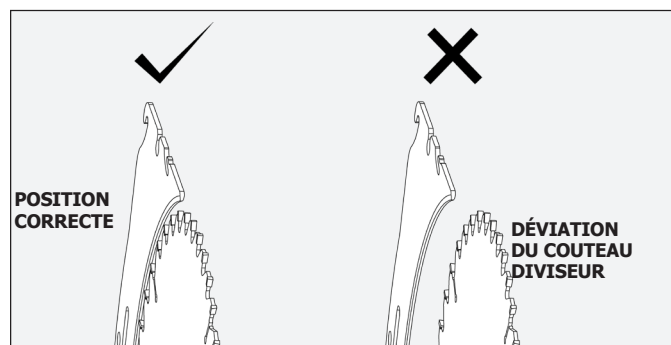


FIGURE 40

Si le couteau diviseur est désaligné horizontalement, réglez-le comme suit à l'aide des figures 38 et 41 :

1. Desserrez les 2 vis à six pans creux (AA)
2. Réglez la vis (BB2) pour aligner le couteau diviseur avec la lame si elle est toujours désalignée, puis réglez (BB3) jusqu'à ce que l'alignement correct soit atteint. Ne pas régler (BB1).
3. Serrer les vis (AA).

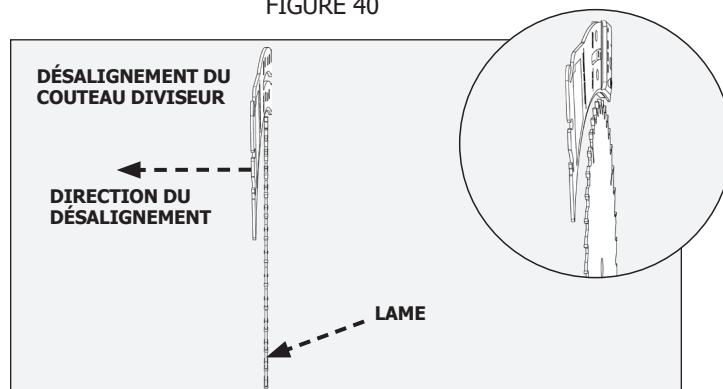


FIGURE 41

ENTRETIEN

⚠ AVERTISSEMENT : Pour réduire les risques de blessures, éteindre l'appareil et le débrancher de la source d'alimentation avant le nettoyage ou l'entretien, avant d'installer et de retirer tout accessoire, avant de faire des réglages et lors de réparations. Un démarrage accidentel peut causer des blessures.

Tenir la machine propre

Dégagez régulièrement tous les passages d'air avec de l'air comprimé sec. Toutes les pièces en plastique doivent être nettoyées avec un chiffon doux et humide. Pour de meilleures performances, utilisez un aspirateur ou une soufflante d'atelier pour garder la zone de la lame de scie, le système de collecte de poussière, le système de protection et les rails exempts de sciure et autres débris. N'utilisez JAMAIS de solvants pour nettoyer les pièces en plastique. Ils pourraient dissoudre ou endommager le matériel.

⚠ AVERTISSEMENT : Portez des équipements de sécurité oculaires, auditifs et respiratoires lors de l'utilisation d'air comprimé.

Rappels d'entretien

⚠ AVERTISSEMENT :

Portez des équipements de sécurité oculaires, auditifs et respiratoires lors de l'utilisation d'air comprimé. Les gants sont recommandés lors du changement de lames. Les endroits spécifiques qui nécessitent un entretien régulier comprennent : **PLAQUE DE SERRAGE DU COUTEAU DIVISEUR :** Garder cette zone exempte de poussière et d'accumulation de débris. Nettoyer cette zone régulièrement avec de l'air comprimé.

REMARQUE : Si la plaque de serrage du couteau ne se déplace pas librement, la scie doit être réparée par le personnel autorisé du centre de service.

VIS SANS FIN: Garder les engrenages coniques exempts de poussière et d'accumulation de débris. Nettoyer cette zone régulièrement avec de l'air comprimé. Utiliser une graisse à base de lithium à usages multiples en fonction des besoins sur ces engrenages.

NETTOYER L'ACCUMULATION DE BRAN DE SCIE RÉGULIÈREMENT : **REMARQUE :** Les débris peuvent également être retirés de la scie en dessous de la plaque à gorge, à l'intérieur de l'orifice à poussière.

DÉPANNAGE

Pour de l'aide avec votre appareil, visitez notre site Web au www.deltamachineryparts.com pour obtenir la liste des centres de service ou appelez Delta Power Equipment au 1-800-223-7278.

Démarrage impossible

Si votre machine ne démarre pas, assurez-vous que les broches de la fiche du cordon sont bien en contact dans la prise. Aussi, vérifiez s'il y a des fusibles grillés ou des disjoncteurs ouverts dans votre ligne d'alimentation électrique. Si la scie ne démarre toujours pas, veuillez appeler le service à la clientèle au 1-800-223-7278.

ACCESSOIRES

Pour les accessoires, veuillez visiter notre site Web www.shopmastermachinery.com pour accéder au catalogue en ligne ou pour le nom de votre fournisseur le plus proche.

⚠ AVERTISSEMENT :

Puisque les accessoires autres que ceux offerts par DELTA® n'ont pas été testés avec ce produit, l'utilisation de ces accessoires peut être dangereuse. Pour une utilisation sécuritaire, seuls les accessoires DELTA® /SHOPMASTER® recommandés doivent être utilisés avec ce produit.

ASSISTANCE POUR PIÈCES, SERVICE OU GARANTIE

Les machines et accessoires SHOPMASTER sont fabriqués selon des normes de haute qualité et peuvent être réparés dans le réseau de centres de service DELTA® autorisés. Pour obtenir des informations supplémentaires au sujet de votre produit ou pour obtenir des pièces, du service, l'assistance en vertu de la garantie ou l'emplacement du centre de service le plus proche, appelez au 1-800-223-7278.

Garantie limitée de trois ans

1. CE QUI EST GARANTI. Delta Power Equipment Corporation (la « Société ») réparera ou remplacera, à son entière discrétion, ce produit qui a été acheté au détail aux États-Unis ou au Canada et qui, avec une utilisation normale, s'est avéré comporter des défauts de fabrication ou de matériau, sous réserve des conditions énoncées dans la présente garantie limitée. Cette garantie limitée couvre uniquement les matériaux et la main-d'œuvre. Tous les frais de transport sont la responsabilité du client.

2. PÉRIODE DE GARANTIE. Toutes les réclamations de garantie doivent être soumises dans les cinq ans suivant la date d'achat au détail. Pour toutes les pièces d'entretien et les produits remis à neuf en usine, la période de garantie est de 180 jours.

3. COMMENT FAIRE POUR OBTENIR LE SERVICE. Pour obtenir un service en vertu de la garantie, vous devez retourner le produit défectueux, ainsi qu'une preuve d'achat acceptable, telle que votre reçu original portant la date d'achat, ou le numéro d'enregistrement du produit, à vos frais et dans la période de garantie applicable, à un centre de service autorisé par la Société (un « centre de service autorisé ») pour que le personnel du centre effectue le service en vertu de la garantie. La Société réserve le droit de restreindre le service de réclamation en vertu de la garantie dans le pays où l'achat a été effectué et/ou de facturer le coût pour l'exportation de pièces de rechange ou pour fournir un service en vertu de la garantie dans un pays différent. À cette fin, les achats en ligne sont réputés être effectués aux États-Unis. Pour l'emplacement de votre centre de service autorisé le plus proche, appelez le service à la clientèle de la société au 1-800-223-7278.

4. EXCLUSIONS.

- La Société n'offre aucune garantie sur les produits achetés en état usagé ou endommagé.
- La Société ne garantit pas les produits achetés à l'extérieur des États-Unis ou du Canada.
- La société ne sera pas tenue responsable des dommages résultant de l'usure normale, d'une mauvaise utilisation, d'abus ou de réparations ou modifications apportées par un tiers autre qu'un centre de service agréé ou un représentant désigné par le service à la clientèle de la société.

TOUTES LES GARANTIES IMPLICITES sont expressément limitées à la période de garantie indiquée ci-dessus.

La société n'est pas responsable des dommages ACCESSOIRES OU IMMATÉRIELS.

Cette garantie limitée est la seule garantie de la Société et énonce le recours exclusif du client par rapport à des produits défectueux; toutes les autres garanties, expresses ou implicites, qu'il s'agisse de la qualité marchande, d'aptitude à l'usage ou autre, sont expressément rejetées par la Société, sauf mention expresse dans la présente déclaration de garantie.

Certains États n'autorisent pas l'exclusion ou la limitation des dommages accessoires ou immatériels, ni la limitation des garanties implicites, de sorte que les limitations ou exclusions ci-dessus peuvent ne pas s'appliquer à vous. Cette garantie vous donne des droits légaux spécifiques et vous pouvez avoir d'autres droits, qui varient d'un état ou province à l'autre. Pour plus de détails sur la couverture de garantie et de l'information sur les réparations sous garantie, composez le 1-800-223-7278. Pour enregistrer vos produits en ligne, nous vous encourageons à visiter notre site Web et à vous inscrire pour un compte de membre GRATUIT DELTA® à <http://www.deltamachinery.com/register>.

AMÉRIQUE LATINE : Cette garantie ne couvre pas les produits vendus en Amérique latine. Pour les produits vendus en Amérique latine, appeler l'entreprise locale ou consulter le site Web pour obtenir des informations de garantie.

PIÈCES DE REMPLACEMENT

Cet outil électrique est fourni avec un cordon d'alimentation électrique de type Y. Si le remplacement du CORDON D'ALIMENTATION est nécessaire, cela doit être fait par le fabricant ou son agent afin d'éviter tout risque pour la sécurité. N'utiliser que des pièces de rechange identiques. Pour une liste de pièces ou pour commander des pièces, visitez notre site Web au www.deltamachineryparts.com. Vous pouvez également commander des pièces de votre centre de service de garantie autorisé le plus proche ou en appelant le directeur du service technique au 1-800-223-7278 pour recevoir un soutien personnalisé de l'un de nos représentants hautement qualifiés.

REEMPLACEMENT GRATUIT D'ÉTIQUETTES D'AVERTISSEMENTS

Si vos étiquettes d'avertissements deviennent illisibles ou sont manquantes, composez le 1-800-223-7278 pour un remplacement gratuit.

ENTRETIEN ET RÉPARATIONS

Tous les outils de qualité nécessiteront éventuellement un entretien et/ou un remplacement des pièces. Pour plus d'informations sur Delta Power Equipment Corporation et ses succursales ou pour localiser un centre de réparation autorisé, visitez notre site Web à www.deltamachineryparts.com ou appelez le service à la clientèle au 1-800-223-7278. Toutes les réparations faites par nos centres de service sont entièrement garanties contre les défauts de matériau et de fabrication. Nous ne pouvons garantir les réparations effectuées ou tentées par des tiers. En appelant ce numéro, vous pouvez également trouver des réponses aux plus fréquentes questions 24 heures par jour. Pour plus d'informations, vous pouvez également nous écrire à Delta Power Equipment Corporation, 2651 New Cut Road, Spartanburg, SC 29303 —

AU SOIN DE : Directeur des services techniques. Veuillez à indiquer toutes les informations figurant sur la plaque signalétique de votre scie (numéro de modèle, type, numéro de série, code de date, etc.).

ÍNDICE

DESCRIPCIÓN FUNCIONAL	54	CORTES TRANSVERSALES EN INGLETE	71
INSTRUCCIONES DE SEGURIDAD IMPORTANTES	55	CORTES EN INGLETE COMPUESTOS.....	72
DEFINICIÓN DE LOS SÍMBOLOS DE SEGURIDAD	55	CORTES DE PANELES LARGOS	72
REGALES GENERALES DE SEGURIDAD	55	CORTES NO PASANTES	72
ADVERTENCIA DE LA PROPUESTA 65	56	REALIZACIÓN DE UN CORTE NO PASANTE.....	72
TERMINOLOGÍA	56	AUXILIARES Y ACCESORIOS DE CORTE	73
REGLAS DE SEGURIDAD DE LA SIERRA DE MESA	57	VARILLA DE EMPUJE	73
REGLAS ESPECÍFICAS DE SEGURIDAD DE LA SIERRA DE MESA.....	57	REFRENTADO DE LA GALGA DE INGLETE	
CONJUNTO DE PROTECCIÓN DE LA HOJA, TRIQUETES DE PREVENCIÓN DE CONTRAGOLPES Y SEPARADOR	58	AUXILIAR	73
CÓMO FABRICAR UNA VARILLA DE EMPUJE	58	BLOQUE DE EMPUJE	74
CONTRAGOLPES.....	58	TABLA DE CUÑA	74
CONEXIONES DE ALIMENTACIÓN	59	CALIBRE DE CORTE.....	75
FUENTE DE ALIMENTACIÓN	59	PLANTILLAS	75
CABLES DE EXTENSIÓN.....	59	CÓMO REALIZAR AJUSTES	75
CÓMO DESEMPACAR	60	NIVELADO DE LA PLACA DE GARGANTA	75
CONTENIDO DEL ENVÍO.....	60	CAMBIO DEL BISEL	75
CONTENIDO DE TORNILLERÍA.....	61	AJUSTES DE LOS TOPES DE BISEL	76
HERRAMIENTAS NECESARIAS PARA EL ENSAMBLE O AJUSTES.....	61	AJUSTE DE LA ALTURA DE LA HOJA	76
CONOCIMIENTO GENERAL DE LAS PIEZAS	62	USO DE LA GALGA DE INGLETE.....	76
ENSAMBLE	62	AJUSTE DEL SEPARADOR	77
ENSAMBLE DE LA BASE	62	ALINEACIÓN DEL SEPARADOR	77
SUJECIÓN DE LA BASE A LA SIERRA	64	MANTENIMIENTO	78
INSTALACIÓN DE LA PERILLA DE AJUSTE DE ALTURA.....	64	RESOLUCIÓN DE PROBLEMAS	78
INSTALACIÓN/CAMBIO DE LA HOJA.....	65	ACCESORIOS	79
COLOCACIÓN DEL SEPARADOR.....	65	ASISTENCIA PARA PIEZAS, SERVICIOS O GARANTÍA ..	79
INSERCIÓN Y NIVELACIÓN DE LA PLACA DE GARGANTA	66	PIEZAS DE REEMPLAZO.....	79
TRINQUETES DE PREVENCIÓN DE CONTRAGOLPES Y PROTECCIÓN DE LA HOJA	66	REEMPLAZO GRATIS DE LA ETIQUETA DE ADVERTENCIA.....	79
TOPE GUÍA	67	MANTENIMIENTO Y REPARACIONES.....	79
FUNCIONAMIENTO	68	FRANCÉS	28
ENCENDIDO Y APAGADO DE LA SIERRA	68	ESPAÑOL	54
SEGURIDAD E INSTRUCCIONES DEL DISYUNTOR..	69		
CÓMO REALIZAR CORTES	69		
CORTES AL HILO.....	70		
CORTES AL HILO BISELADOS.....	70		
CORTES TRANSVERSALES.....	71		
CORTES TRANSVERSALES BISELADOS	71		

DESCRIPCIÓN FUNCIONAL

La sierra de mesa portátil de 10" SHOPMASTER S36-300T2 está diseñada para satisfacer sus necesidades de mejoras en el hogar y taller doméstico. Esta sierra puede realizar prácticamente cualquier proyecto de tipo "hágalo usted mismo" con funciones fáciles de utilizar. El embalaje de la sierra incluye los siguientes elementos: Conjunto de la sierra, base, tope guía, medidor de inglete, varilla de empuje, separador, trinquetes de prevención de contragolpes, protección de la hoja, placa de garganta y hoja con dientes de carburo de 10".

Esta herramienta solo se puede utilizar con hojas de sierra para trabajar la madera.

NOTA: La portada del manual contiene una ilustración del modelo de producción actual. Todas las otras ilustraciones que figuran en el manual son tan solo representativas y pueden no ser representaciones exactas de las etiquetas o accesorios reales incluidos. Son para fines ilustrativos solamente.

ESPECIFICACIONES

PROFUNDIDAD DE CORTE MÁXIMA A 90°:	3"
PROFUNDIDAD DE CORTE MÁXIMA A 45°:	2-1/2"
CORTE LONGITUDINAL MÁXIMO A LA DERECHA DE LA HOJA:	28"
CORTE LONGITUDINAL MÁXIMO A LA IZQUIERDA DE LA HOJA:	15"
Especificaciones del motor:	
AMPERAJE:	15 amperes
TENSIÓN:	120 voltios

INSTRUCCIONES DE SEGURIDAD IMPORTANTES



⚠ ADVERTENCIA: LEA Y SIGA TODAS LAS ADVERTENCIAS E INSTRUCCIONES QUE SE ENCUENTRAN EN EL PRODUCTO Y EN ESTE MANUAL. CONSERVE ESTE MANUAL. AL UTILIZAR LA HERRAMIENTA, ASEGÚRESE DE QUE TODOS LOS USUARIOS ESTÉN FAMILIARIZADOS CON LAS ADVERTENCIAS E INSTRUCCIONES. Una utilización, mantenimiento o modificación incorrectos de las herramientas o equipamiento podrían causar lesiones graves y/o daños materiales.

SÍMBOLOS DE SEGURIDAD: DEFINICIONES

Este manual contiene información que es importante que usted conozca y entienda. Esta información se refiere a la protección de SU SEGURIDAD y PREVIENE PROBLEMAS DEL EQUIPO. Para ayudarlo a reconocer esta información, usamos los símbolos debajo. Lea el manual y preste atención a estas secciones.

- ⚠ PELIGRO:** Indica una situación de peligro inminente que, si no se evita, provocará muertes o lesiones graves.
- ⚠ ADVERTENCIA:** Indica una situación potencialmente peligrosa que, si no se evita, podría causar muertes o lesiones graves.
- ⚠ PRECAUCIÓN:** Indica una situación potencialmente peligrosa que, si no se evita, podría causar lesiones menores o moderadas.
- PRECAUCIÓN:** Utilizada sin el símbolo de advertencia de seguridad indica una situación potencialmente peligrosa que, si no se evita, podría causar daño a la propiedad.

Es posible que se empleen en esta herramienta algunos de los siguientes símbolos. Le suplicamos estudiarlos y aprender su significado. Una correcta interpretación de estos símbolos le permitirá utilizar mejor y de manera más segura la herramienta.

SÍMBOLO	NOMBRE	DENOMINACIÓN/EXPLICACIÓN
	Alerta de seguridad	Indica un peligro posible de lesiones personales.
	Lea el manual del operador	Para reducir el riesgo de lesiones, el usuario debe leer y comprender el manual del operador antes de usar este producto.
	Protección ocular	Siempre póngase protección ocular con protección lateral con la marca de cumplimiento de la norma ANSI Z87.1.
	Símbolo de no acercar las manos	Si no mantiene las manos alejadas de la hoja de corte, se causará serias lesiones corporales.
	Alerta de condiciones húmedas	No exponga la unidad a la lluvia ni la use en lugares húmedos.
	Peligro de pellizco	Siempre observe el movimiento prestando atención en particular a lugares donde puede ocurrir un pellizco.
V	Volts	Voltaje
A	Amperes	Corriente
Hz	Hertz	Frecuencia (ciclos por segundo)
min	Minutos	Tiempo
~	Corriente alterna	Tipo de corriente
n ₀	Velocidad en vacío	Velocidad de rotación, en vacío
.../min	Por minuto	Revoluciones, carreras, velocidad superficial, órbitas, etc., por minuto
A.C	Corriente alterna	Tipo de corriente
Kg	Kilogramos	unidad de peso
RPM	Revoluciones por minuto	velocidad de rotaciones de la máquina

ADVERTENCIAS DE SEGURIDAD DE LA HERRAMIENTA ELÉCTRICA GENERAL

⚠ ADVERTENCIA: Lea todas las advertencias de seguridad, instrucciones, ilustraciones y especificaciones suministradas con esta herramienta motorizada. No seguir todas las instrucciones detalladas a continuación podría provocar descargas eléctricas, incendios y/o lesiones graves.

Guarde todas las advertencias e instrucciones para consulta futura.

El término "herramienta motorizada" en las advertencias hace referencia a la herramienta motorizada (con cable) que funciona con energía eléctrica o a la herramienta motorizada (sin cable) que funciona a BATERIA.

1. Seguridad en el área de trabajo

- Mantenga el área de trabajo limpia y bien iluminada.** Las áreas desordenadas u oscuras están propensas a accidentes.
- No utilice las herramientas motorizadas en atmósferas explosivas, como bajo la presencia de líquidos inflamables, gases o polvo.** Las herramientas motorizadas generan chispas que podrían encender el polvo o los gases.
- Mantenga alejados a los niños y personas que están observando durante el uso de una herramienta motorizada.** Las distracciones pueden provocar una pérdida de control.

2. Seguridad eléctrica

- El enchufe de la herramienta motorizada deberá coincidir con el tomacorriente. Nunca modifique el enchufe de ninguna manera. No utilice ningún adaptador con las herramientas motorizadas de conexión a tierra.** Los enchufes no modificados y los tomacorrientes que coincidan con el enchufe reducirán el riesgo de descargas eléctricas.
- Evite el contacto del cuerpo con superficies de conexión a tierra, como tuberías, radiadores, estufas y heladeras.** Existe un riesgo mayor de descarga eléctrica si su cuerpo está conectado a tierra.
- No exponga las herramientas motorizadas a la lluvia o condiciones húmedas.** El ingreso de agua en una herramienta motorizada aumentará el riesgo de descargas eléctricas.
- No realice un uso incorrecto del cable. Nunca utilice el cable para transportar, tirar o desenchufar la herramienta motorizada. Mantenga el cable alejado de aceite caliente, bordes filosos o piezas móviles.** Los cables dañados o enredados aumentan el riesgo de descargas eléctricas.
- Al utilizar una herramienta motorizada en exteriores, utilice un cable de extensión adecuado para el uso en exteriores.** Emplear un cable adecuado para el uso en exteriores reduce el riesgo de descargas eléctricas.
- Si es inevitable el uso de una herramienta motorizada en una ubicación húmeda, utilice una fuente de alimentación con protección por parte de un interruptor de circuito con pérdida a tierra (GFCI, por sus siglas en inglés).** El uso de un GFCI reduce el riesgo de descargas eléctricas.



3. Seguridad personal

- Manténgase alerta, preste atención a la tarea que está realizando y utilice el sentido común al utilizar una herramienta motorizada. No utilice una herramienta motorizada si está cansado o bajo la influencia de drogas, alcohol o medicamentos.** Un momento de distracción durante el uso de herramientas eléctricas puede provocar una lesión personal grave.
- Utilice equipamiento de protección personal. Siempre utilice protección ocular.** El equipamiento de protección, como la máscara antipolvo, los zapatos de seguridad antideslizantes, casco duro o protección auditiva, utilizado para las condiciones apropiadas, reducirá las lesiones personales.
- Evita el arranque accidental. Asegúrese de que el interruptor se encuentre en la posición de apagado antes de la conexión con la fuente de alimentación o el transporte de la herramienta.** El transporte de las herramientas motorizadas con el dedo en el interruptor o las herramientas motorizadas energizadas que tienen el interruptor en la posición de encendido pueden generar accidentes.
- Extraiga cualquier llave de ajuste antes de encender la herramienta motorizada.** Si deja una llave fijada a una pieza giratoria de la herramienta motorizada, podrían provocarse lesiones personales.
- No intente estirarse en exceso. Mantenga los pies bien colocados y el equilibrio en todo momento.** Esto permite lograr un mejor control de la herramienta motorizada en situaciones inesperadas.
- Utilice la vestimenta adecuada. No utilice vestimenta o joyas sueltas. Mantenga su cabello, vestimenta y guantes alejados de las piezas móviles.** La vestimenta floja, las joyas o el cabello largo pueden quedar atrapados por las piezas móviles.
- Si se proporcionan dispositivos para la conexión de equipos de extracción y recolección de polvo, asegúrese de que estén conectados y se utilicen de forma correcta.** El uso de la recolección de polvo puede reducir los peligros relacionados con el polvo.
- No permita que la confianza obtenida a partir del uso frecuente de las herramientas lo vuelva descuidado e ignore los principios de seguridad de las herramientas.** Una acción imprudente puede causar lesiones graves en una fracción de segundo.

4. Uso y mantenimiento de la herramienta motorizada

- No fuerce la herramienta motorizada. Utilice la herramienta motorizada correcta para su aplicación.** La herramienta motorizada correcta le permitirá realizar el trabajo de forma más eficiente y segura a la velocidad a la que fue diseñada.
- No utilice la herramienta motorizada si el interruptor no se puede colocar en la posición de encendido y apagado.** Cualquier herramienta motorizada que no pueda controlarse con el interruptor es peligrosa y deberá repararse.
- Desconecte el enchufe de la fuente de alimentación de la herramienta motorizada antes de realizar cualquier ajuste, cambiar accesorios o almacenar la herramienta motorizada.** Dichas medidas de seguridad de prevención reducen el riesgo de un arranque accidental de la herramienta motorizada.
- Almacene las herramientas motorizadas que no utilice lejos del alcance de los niños y no permita que personas que no están familiarizadas con la herramienta motorizada o sus instrucciones utilicen la herramienta motorizada.** Las herramientas motorizadas son peligrosas en las manos de usuarios no capacitados.
- Realice un mantenimiento de las herramientas motorizadas y accesorios. Compruebe si existe una alineación incorrecta o atasco de las piezas móviles, rotura de las piezas o cualquier otra condición que podría afectar el funcionamiento de la herramienta motorizada. Si está dañada, haga reparar la herramienta motorizada antes de su uso.** Muchos accidentes están causados por un mantenimiento incorrecto de las herramientas motorizadas.
- Mantenga las herramientas de corte afiladas y limpias.** Las herramientas de corte con un mantenimiento correcto y bordes de corte afilados están menos propensas a atascarse y son más fáciles de controlar.
- Utilice la herramienta motorizada, accesorios, puntas de herramientas, etc. de acuerdo con estas instrucciones, tomando en cuenta las condiciones de trabajo y la tarea que se realizará.** El uso de la herramienta motorizada para operaciones que sean diferentes de aquellas para las que se la diseñó podría derivar en una situación peligrosa.
- Mantenga secas, limpias y sin aceite y grasa las manijas y las superficies de agarre.** Las manijas y las superficies de agarre resbalosas no permiten una sujeción y control seguros de la herramienta en situaciones inesperadas.

5. Servicio técnico

- Solicite el servicio técnico de su herramienta motorizada a una persona de reparación calificada que utilice únicamente piezas de reemplazo idénticas.** Esto garantizará que se mantenga la seguridad de la herramienta motorizada.

REGLAS DE SEGURIDAD DE LA SIERRA DE MESA

TERMINOLOGÍA

Los siguientes términos se utilizan en todo el manual y deberá estar familiarizado con estos.

CORTE PASANTE: cualquier corte que atraviese por completo la pieza de trabajo.

CORTE NO PASANTE: cualquier corte que no atraviese por completo la pieza de trabajo.

VARILLA DE EMPUJE: una varilla de madera o plástico, generalmente casera, que se utiliza para empujar una pieza de trabajo pequeña a través de la sierra y que permite mantener las manos del operario lejos de la hoja.

CONTRAGOLPE: cuando la hoja de sierra se empasta en el corte o la pieza de trabajo se empasta entre la hoja y el tope guía y la pieza de trabajo se expulsa hacia el operario.

A PULSO: corte sin el uso de una galga de inglete o tope guía o cualquier otro medio de guía o sujeción de la pieza de trabajo más allá de las manos del operario.

CORTE DE PENETRACIÓN: cortes ciegos en la pieza de trabajo realizados elevando la hoja a través de la pieza de trabajo o bajando la pieza de trabajo hacia la hoja.

REASERRAMIENTO: volteo de la pieza de trabajo para completar un corte que la sierra no puede realizar en una sola pasada.

CORTE CONCAVO: operación donde la pieza de trabajo pasa a un ángulo por la hoja. (También conocido como "corte en bóveda")

⚠ ADVERTENCIA: NO SEGUIR ESTAS REGLAS PODRÍA PROVOCAR LESIONES PERSONALES GRAVES.

CONSULTE LA SECCIÓN DE SEGURIDAD GENERAL DE LA HERRAMIENTA MOTORIZADA DE ESTE MANUAL. Lea todo el manual de instrucciones antes de utilizar la sierra. Conocer las aplicaciones correctas, las limitaciones y los potenciales peligros de la herramienta reducirá ampliamente la posibilidad de que ocurran accidentes y lesiones. Asegúrese de que todos los usuarios estén familiarizados con las advertencias e instrucciones antes de utilizar la sierra.

CONSULTE LA SECCIÓN DE CONEXIÓN DE LA ALIMENTACIÓN DE ESTE MANUAL para obtener instrucciones y advertencias relativas a los cables de alimentación y las conexiones.

REGLAS ESPECÍFICAS DE SEGURIDAD DE LA SIERRA DE MESA

⚠ ADVERTENCIA LEA TODAS LAS ADVERTENCIAS DE SEGURIDAD DESIGNADAS POR EL SÍMBOLO ⚠ ADEMÁS DE TODAS LAS INSTRUCCIONES.

1. ADVERTENCIAS RELACIONADAS CON LA PROTECCIÓN

- Mantenga los protectores en su lugar. Los protectores deben estar en buen estado de funcionamiento y montados correctamente.** Se debe reparar o reemplazar cualquier protector que esté suelto, dañado o que no funcione correctamente.
- Utilice siempre un protector de hoja de sierra, un separador y un dispositivo anticontragolpe para cada operación de corte.** Para operaciones de corte en las que la hoja de sierra corta completamente a través del grosor de la pieza de trabajo, el protector y otros dispositivos de seguridad ayudan a reducir el riesgo de lesiones.
- Vuelva a colocar inmediatamente el sistema de protección después de completar una operación (como ranurar, frisar o volver a aserrar cortes) que requiera retirar la protección, el separador o el dispositivo anticontragolpe.** El protector, el separador y el dispositivo anticontragolpe ayudan a reducir el riesgo de lesiones.
- Asegúrese de que la hoja de sierra no esté en contacto con el protector, el separador o la pieza de trabajo antes de encender el interruptor.** El contacto involuntario de estos elementos con la hoja de sierra podría causar una condición peligrosa.
- Regule el separador tal como se describe en este manual.** La separación, el posicionamiento y la alineación incorrecta puede provocar que el separador funcione de manera ineficaz para reducir la probabilidad de contragolpes.
- Para que el separador y el dispositivo anticontragolpe funcionen, deben estar acoplados a la pieza de trabajo.** El separador y el dispositivo anticontragolpe son ineficaces cuando se cortan piezas demasiado cortas para que estos dispositivos las sujeten. En estas condiciones, el separador y el dispositivo anticontragolpe no pueden evitar un contragolpe.
- Use la hoja de sierra apropiada para el separador.** Para que el separador funcione correctamente, el diámetro de la hoja de sierra debe coincidir con el separador adecuado, el cuerpo de la hoja de sierra debe ser más delgado que el grosor del separador y el ancho de corte de la hoja de sierra debe ser más amplio que el grosor del separador.

2. ADVERTENCIAS PARA LOS PROCEDIMIENTOS DE CORTE

- PELIGRO: nunca coloque los dedos o las manos cerca o en línea con la hoja de sierra.** Un momento de falta de atención o un resbalón podría dirigir su mano hacia la hoja de sierra y provocar lesiones personales graves.
- Introduzca la pieza de trabajo en la hoja de sierra o en el cortador solo en sentido contrario a la dirección de giro.** Si se introduce la pieza de trabajo en la misma dirección en la que gira la hoja de sierra por encima de la mesa, es posible que la pieza de trabajo y su mano se vean impulsadas hacia la hoja de sierra.
- Nunca utilice el medidor de ingletes para introducir la pieza de trabajo al aserrar y no utilice la guía de corte longitudinal como tope de longitud al cortar transversalmente con el medidor de ingletes.** Si se guía la pieza de trabajo con la guía de corte longitudinal y el medidor de ingletes al mismo tiempo, aumenta la probabilidad de que la hoja de sierra se atasque y se produzca un contragolpe.
- Al aserrar, aplique siempre la fuerza de avance de la pieza de trabajo entre la guía y la hoja de sierra.** Utilice una vara para empujar cuando la distancia entre la guía y la hoja de sierra sea inferior a 150 mm, y utilice un bloque de presión cuando esta distancia sea inferior a 50 mm. Los dispositivos de "ayuda para el trabajo" mantendrán su mano a una distancia segura de la hoja de sierra.
- Utilice únicamente la vara para empujar proporcionada por el fabricante o una fabricada de acuerdo con las instrucciones.** Esta vara para empujar proporciona una distancia adecuada entre la mano y la hoja de sierra.
- Nunca utilice una vara para empujar dañada o rota.** Una vara para empujar dañada puede romperse, lo que provocaría que su mano se deslice hacia la hoja de sierra.
- No realice ninguna operación "a mano alzada".** Utilice siempre la guía de corte longitudinal o el medidor de ingletes para posicionar y guiar la pieza de trabajo. Por "a mano alzada" se entiende el uso de las manos para apoyar o guiar la pieza de trabajo, en lugar de una guía de corte longitudinal o un medidor de ingletes. El aserrado a mano alzada provoca desalineación, atascamiento y contragolpe.
- Nunca extienda la mano alrededor de una sierra giratoria ni sobre ella.** Tratar de alcanzar una pieza de trabajo puede provocar un contacto accidental con la hoja de sierra en movimiento.
- Cuando utilice piezas de trabajo largas o anchas, proporcione soporte auxiliar para la pieza de trabajo en la parte posterior o en los lados de la mesa de la sierra con el fin de mantenerla nivelada.** Una pieza de trabajo larga o ancha tiende a oscilar en el borde de la mesa, lo que causa pérdida de control, atascamiento de la hoja de sierra y contragolpe.
- Haga avanzar la pieza de trabajo a un ritmo uniforme. No doble ni retuerza la pieza de trabajo.** Si se produce un atasco, apague la herramienta inmediatamente, desenchufe la herramienta y luego elimine el atasco. Si se atasca la hoja de sierra en la pieza de trabajo, se puede producir un contragolpe o un fallo en el.
- No retire piezas de material de corte mientras la sierra esté en marcha.** El material puede quedar atrapado entre la guía o dentro del protector de la hoja de sierra, y la hoja de sierra puede arrastrar sus dedos hacia la hoja de sierra. Apague la sierra y espere hasta que la hoja de sierra se detenga antes de retirar el material.
- Utilice una guía auxiliar en contacto con la cubierta de mesa cuando corte piezas de menos de 2 mm de grosor.** Una pieza de trabajo delgada puede atascarse debajo de la guía de corte longitudinal y crear un contragolpe.
- NUNCA CORTE METALES, TABLERO DE CEMENTO O MASONERÍA.** Ciertos materiales hechos por el hombre tienen instrucciones especiales para cortar en sierras de mesa. Siga las recomendaciones del fabricante en todo momento para evitar el sobrecalentamiento de las puntas de la hoja de sierra y derretir el plástico. Evite sobrecalentar las puntas de la cuchilla empujando el material a través de la cuchilla de manera uniforme. Forzar el material a rápido puede causar calentamiento y daños a la cuchilla o pieza de trabajo.

3. Causas del contragolpe y advertencias relacionadas

El contragolpe es una reacción repentina de la pieza de trabajo debido a una hoja de sierra apretada y atascada, o a una línea de corte desalineada en la pieza de trabajo con respecto a la hoja de sierra, o cuando una parte de la pieza de trabajo se une entre la hoja de sierra y la guía de corte longitudinal o cualquier otro objeto fijo.

- Con mayor frecuencia durante el contragolpe, la parte posterior de la hoja de sierra levanta la pieza de trabajo de la mesa y la propulsa hacia el operador.** El contragolpe es la consecuencia del uso inadecuado de la sierra o de condiciones o procedimientos de funcionamiento incorrectos, y se puede evitar al tomar precauciones adecuadas como se indica a continuación.
- Nunca se pare directamente en línea con la hoja de sierra. Sitúe siempre el cuerpo en el mismo lado de la hoja de sierra que la guía.** El contragolpe puede propulsar la pieza de trabajo a alta velocidad hacia cualquiera que se encuentre de pie delante y en línea con la hoja de sierra.
- Nunca extienda la mano por encima o por detrás de la hoja de sierra para jalar o sostener la pieza de trabajo.** Puede producirse un contacto accidental con la hoja de sierra o el contragolpe puede arrastrar los dedos hacia la hoja de sierra.
- Nunca sostenga y presione la pieza de trabajo que está cortando contra la hoja de sierra giratoria.** Presionar la pieza de

REGLAS ESPECÍFICAS DE SEGURIDAD DE LA SIERRA DE MESA

trabajo que se está cortando contra la hoja de sierra creará una condición de atascamiento y contragolpe.

- e. **Alinear la guía para que quede paralela a la hoja de sierra.** Una guía desalineada pellizcará la pieza de trabajo contra la hoja de sierra y creará un contragolpe.
 - f. **Utilice una tabla con canto biselado para guiar la pieza de trabajo contra la mesa y la guía cuando haga cortes sin traspaso, como ranuras, o cortes de reaserfado.** Una tabla con canto biselado ayuda a controlar la pieza de trabajo en caso de contragolpe.
 - g. **Tenga mucho cuidado cuando haga un corte en áreas no visibles de piezas de trabajo ensambladas.** La hoja de sierra sobresaliente puede cortar objetos que pueden causar contragolpe.
 - h. **Tenga mucho cuidado cuando haga un corte en áreas no visibles de piezas de trabajo ensambladas.** La hoja de sierra sobresaliente puede cortar objetos que pueden causar contragolpe.
 - i. **Tenga especial precaución al cortar una pieza de trabajo que esté torcida, anudada, deformada o que no tenga un borde recto para guiarla con un medidor de ingletes o a lo largo de la guía.** Una pieza de trabajo deformada, anudada o torcida es inestable y causa desalineación de la entalladura con la hoja de sierra, atascamiento y contragolpe.
 - j. **Nunca corte más de una pieza de trabajo, apilada vertical u horizontalmente.** La hoja de sierra puede tomar una o más piezas y causar un contragolpe.
 - k. **Al volver a arrancar la sierra con la hoja de sierra en la pieza de trabajo, centre la hoja de sierra en la entalladura de modo que los dientes de la sierra no estén enganchados en el material.** Si la hoja de la sierra se atasca, es posible que levante la pieza de trabajo y cause un contragolpe al volver a arrancar la sierra.
 - l. **Mantenga las hojas de sierra limpias, afiladas y con un ajuste adecuado.** Nunca utilice hojas de sierra deformadas ni hojas de sierra con dientes rotos o agrietados. Las hojas de sierra afiladas y ajustadas adecuadamente minimizan el enredo, el atascamiento y el contragolpe.
- 4. Advertencias sobre los procedimientos de operación de la sierra de mesa**
- a. **Apague la sierra de mesa y desconecte el cable de alimentación cuando retire el accesorio de la mesa,** cambie la hoja de sierra o realice ajustes en el separador, en el dispositivo anticontragolpe o en el protector de la hoja de sierra, además de cuando deje la máquina desatendida. Las medidas de precaución evitan accidentes.
 - b. **Nunca deje la sierra de mesa funcionando desatendida.** Apáguela y no suelte la herramienta hasta que no se detenga completamente. Una sierra en funcionamiento desatendida es un peligro incontrolable.
 - c. **Ubique la sierra de mesa en un área bien iluminada y nivelada donde pueda mantener un buen apoyo de los pies y un buen equilibrio.** Se debe instalar en un área que proporcione suficiente espacio para manejar fácilmente el tamaño de su pieza de trabajo. Las áreas estrechas y oscuras, además de los pisos irregulares y resbaladizos favorecen los accidentes.
 - d. **Limpie y retire con frecuencia el aserrín de debajo de la mesa de la sierra o del dispositivo de recolección de polvo.** El aserrín acumulado es combustible y puede encenderse solo.
 - e. **La sierra de mesa debe estar asegurada.** Una sierra de mesa que no está debidamente asegurada puede moverse o volcarse.
 - f. **Retire las herramientas, los restos de madera, etc. de la mesa antes de encender la sierra de mesa.** La distracción o un atasco potencial pueden ser peligrosos.
 - g. **Siempre use hojas de sierra con orificios para el eje del tamaño y la forma correctos (diamante en comparación con redondo).** Las hojas de sierra que no coinciden con los aditamentos de montaje de la sierra funcionarán descentrados y causarán una pérdida de control.
 - h. **Nunca utilice medios de montaje de la hoja de sierra dañados o incorrectos, tales como bridas, arandelas de la hoja de sierra, pernos o tuercas.** Estos medios de montaje se diseñaron especialmente para la sierra, con el fin de brindar un funcionamiento seguro y un rendimiento óptimo.
 - i. **Nunca se pare sobre la sierra de mesa, no la use como banco.** Si la herramienta se voltea o si la herramienta de corte se toca accidentalmente, se pueden producir lesiones graves.
 - j. **Asegúrese de que la hoja de sierra esté instalada para que gire en la dirección correcta. No use discos de pulido, cepillos de alambre o discos abrasivos en una sierra de mesa. La instalación incorrecta de la hoja de sierra o el uso de accesorios no recomendados pueden causar lesiones graves.**
 - k. **NO RETIRE LA PIEZA DE TRABAJO ATRAPADA sin apagar primero la sierra y desconectar la sierra de la fuente de alimentación.**

CONJUNTO DE PROTECCIÓN DE LA HOJA, TRINQUETES DE PREVENCIÓN DE CONTRAGOLPES Y SEPARADOR

La sierra está equipada con un conjunto de protección de la hoja, separador y trinquetes de prevención de contragolpes que cubre la hoja y reduce las posibilidades de un contacto accidental con la hoja. El separador es una placa plana que se acomoda en el corte realizado por la hoja de sierra y evita eficazmente el contragolpe reduciendo la tendencia de la hoja a atascarse en el corte. Dos trinquetes de prevención de contragolpes se encuentran a los lados del separador que permiten el paso de la madera por la hoja en la dirección del corte pero reduce la posibilidad de que el material se expulse hacia el operario. El separador puede utilizarse en dos posiciones. Se lo deberá elevar a la posición de corte pasante antes de colocar los trinquetes de prevención de contragolpes y la protección de la hoja. Ambas posiciones están señaladas en el separador. La protección de la hoja y los trinquetes de prevención de contragolpes solo pueden utilizarse cuando se realizan cortes completos que separan la madera. Al realizar rebajos y otros

cortes no pasantes, deben quitarse la protección de la hoja y los trinquetes de prevención de contragolpes; además, el separador debe bajarse a la posición de corte no pasante marcada en el separador.

Utilice todos los componentes del sistema de protecciones (conjunto de la protección de la hoja, separador y trinquetes de prevención de contragolpes) para cada operación en la cual pueden usarse, incluidos todos los cortes pasantes. Si elige no usar ninguno de estos componentes para una aplicación en particular, tenga especial cuidado en cuanto al control de la pieza de trabajo, el uso de varillas de empuje, la posición de sus manos con respecto a la hoja, el uso de gafas de seguridad, los medios para evitar contragolpes y el resto de las advertencias mencionadas en este manual y en la misma sierra. Reemplace los sistemas de protecciones en cuanto regrese a operaciones de corte pasante. Mantenga el conjunto de la protección en buenas condiciones de utilización.

CONTRAGOLPES

Los contragolpes pueden causar lesiones graves. Un contragolpe ocurre cuando una parte de la pieza de trabajo se atasca entre la hoja de sierra y el tope guía u otro objeto fijo, se eleva de la mesa y es expulsada hacia el operario. Se puede reducir el riesgo de contragolpes prestando atención a las siguientes instrucciones.

CÓMO REDUCIR EL RIESGO DE CONTRAGOLPES Y PROTEGERSE DE POSIBLES LESIONES:

- Asegúrese de que el tope guía esté paralelo a la hoja de sierra.
- **NO** realice un corte al hilo aplicando la fuerza de avance a la sección de la pieza de trabajo que se convertirá en la pieza cortada (libre). Cuando realice un corte al hilo, la fuerza de avance siempre debe aplicarse entre la hoja de la sierra y la guía; utilice una varilla de empuje para trabajos angostos, 6 pulgadas (152 mm) de ancho o menos.
- Mantenga el conjunto de protección de la hoja, separador y trinquetes de prevención de contragolpes de la sierra en su lugar y funcionando de forma correcta. El separador debe estar alineado con la hoja de sierra y el conjunto de prevención de contragolpes debe detener un contragolpe una vez que se ha iniciado. Verifique su acción antes de cortar al hilo empujando la madera por abajo del conjunto de prevención de contragolpes. Los dientes deben evitar que la madera se jale hacia el frente de la sierra. Si alguna parte del conjunto no está operativa, regrese la máquina al centro de servicio técnico autorizado más cercano para su reparación.

- Los materiales de plástico y compuestos (como madera prensada) pueden cortarse en la sierra. Sin embargo, puesto que usualmente estos son bastante duros y resbalosos, los trinquetes de prevención de contragolpes podría no detener un contragolpe. Por lo tanto, ponga atención especial a la siguiente preparación y procedimientos adecuados para cortar al hilo.
- Use el conjunto de protección de la hoja, separador y trinquetes de prevención de contragolpes en cada operación posible, incluidos todos los cortes pasantes.
- Empuje la pieza de trabajo más allá de la hoja de sierra antes de soltarla.
- **NUNCA** corte al hilo una pieza de trabajo que esté torcida o deformada, o bien que no tenga un borde recto para guiarla por el tope guía.
- **NUNCA** corte una pieza de trabajo larga que no pueda controlar.
- **NUNCA** use el tope guía como una guía o tope de largo al realizar un corte transversal.
- **NUNCA** corte una pieza de trabajo con nudos sueltos, defectos, clavos u otros objetos extraños.
- **NUNCA** corte al hilo una pieza de trabajo con una longitud menor a 10 pulgadas (254 mm).
- **NUNCA** use una hoja desafilada. Una hoja desafilada debe reemplazarse o afilarse.

ADVERTENCIA DE LA PROPUESTA 65:

⚠ ADVERTENCIA: Parte del polvo creado por la lijadora, sierra, esmeriladora, perforadora, y otras actividades de construcción eléctricas contiene químicos, que, según el Estado de California, producen cáncer, defectos de nacimiento, u otro daño reproductivo. Ejemplos de estos químicos:

- Plomo de pinturas a base de plomo
- Sílice cristalina de los ladrillos y cemento y otros productos de albañilería
- Arsénico y cromo de madera con tratamiento químico

Su riesgo al exponerse a estos químicos varía, dependiendo de la frecuencia con la que realice este tipo de trabajo. Para reducir su exposición, trabaje en un área bien ventilada y con el equipo de seguridad aprobado, como máscaras para el polvo que estén especialmente diseñadas para filtrar partículas microscópicas.

Conserve estas instrucciones.

Refiérase a las mismas a menudo y utilícelas para instruir a otros.
Si presta la herramienta a otra persona, también préstele estas instrucciones.

CONEXIONES DE ALIMENTACIÓN

FUENTE DE ALIMENTACIÓN

Esta sierra está equipada con un motor de 15 amperes para usarse con 120 voltios, 60 HZ de corriente alterna. Consulte las siguientes instrucciones acerca de las conexiones adecuadas para la sierra. En lo que respecta a la tensión, el cableado en un taller es tan importante como la clasificación del motor. Una línea prevista únicamente para iluminación puede no ser capaz de llevar correctamente la corriente necesaria para el motor de una herramienta eléctrica; un cable que es suficientemente pesado para una distancia corta puede ser demasiado ligero para una distancia larga; y una línea que puede soportar una

herramienta eléctrica puede no ser capaz de soportar dos o tres. Debe usarse un circuito eléctrico independiente para las máquinas. Este circuito no debe ser menor a un hilo #12 y debe protegerse con un fusible de acción retardada de 20 amperes. Antes de conectar la máquina a la corriente, asegúrese de que el interruptor esté en la posición "APAGADO" y asegúrese de que la corriente eléctrica tenga las mismas características que las indicadas en la máquina. Una caída significativa de la tensión provocará una pérdida de potencia y sobrecalentará el motor. También puede provocar daños en la máquina.

⚠ PELIGRO: NO EXPONGA LA MÁQUINA A LA LLUVIA NI LA UTILICE EN LUGARES HÚMEDOS.

CABLES DE EXTENSIÓN

⚠ PELIGRO: Nunca utilice un cable de extensión dañado. Inspeccione los cables de extensión antes de cada uso. Si están dañados, reemplácelos de inmediato. Tocar el área dañada podría provocar una descarga eléctrica que a su vez podría provocar una lesión grave.

⚠ PRECAUCIÓN: Mantenga el cable de extensión lejos del área de trabajo. Coloque el cable de manera que no quede atrapado en la madera, herramientas ni otras obstrucciones.

- Utilice la tabla "TAMAÑOS DE CALIBRE MÍNIMO", que aparece a la derecha, para determinar la longitud y calibre correctos para cualquier cable de extensión utilizado para suministrar alimentación a su herramienta.
- Utilice cables de extensión con la clasificación correcta. Cuando utilice un cable de extensión, asegúrese de utilizar uno suficientemente pesado para soportar la corriente requerida por la máquina. Un cable con un tamaño menor provocará una caída en la tensión de la línea, lo que a su vez provocará una pérdida de potencia y sobrecalentamiento. La siguiente tabla muestra el calibre mínimo a usar dependiendo de la longitud del cable. En caso de dudas, use el siguiente calibre más pesado. Cuanto menor sea el número de calibre, más pesado será el cable. Deben usarse únicamente cables revestidos y redondos indicados por Underwriter's Laboratories (UL).
- Al trabajar en exteriores, utilice un cable de extensión diseñado para el uso en exteriores.

TAMAÑOS DE CALIBRE MÍNIMO DE CABLES DE EXTENSIÓN RECOMENDADOS PARA USARSE CON MÁQUINAS ELÉCTRICAS FIJAS			
CLASIFICACIÓN DE AMPERAJE	VOLTIOS	LONGITUD TOTAL DEL CABLE EN PIES	CALIBRE DEL CABLE DE EXTENSIÓN
0-6	120	Hasta 25	18 AWG
0-6	120	25-50	16 AWG
0-6	120	50-100	16 AWG
0-6	120	100-150	14 AWG
6-10	120	Hasta 25	18 AWG
6-10	120	25-50	16 AWG
6-10	120	50-100	14 AWG
6-10	120	100-150	12 AWG
10-12	120	Hasta 25	16 AWG
10-12	120	25-50	16 AWG
10-12	120	50-100	14 AWG
10-12	120	100-150	12 AWG
12-16	120	Hasta 25	14 AWG
12-16	120	25-50	12 AWG
12-16	120	NO SE RECOMIENDAN LONGITUDES MAYORES A 50 PIES	

CÓMO DESEMPACAR

⚠ ADVERTENCIA: Antes del ensamble y uso de la herramienta, lea este manual detenidamente para familiarizarse con el ensamble adecuado, los procedimientos de mantenimiento y seguridad.

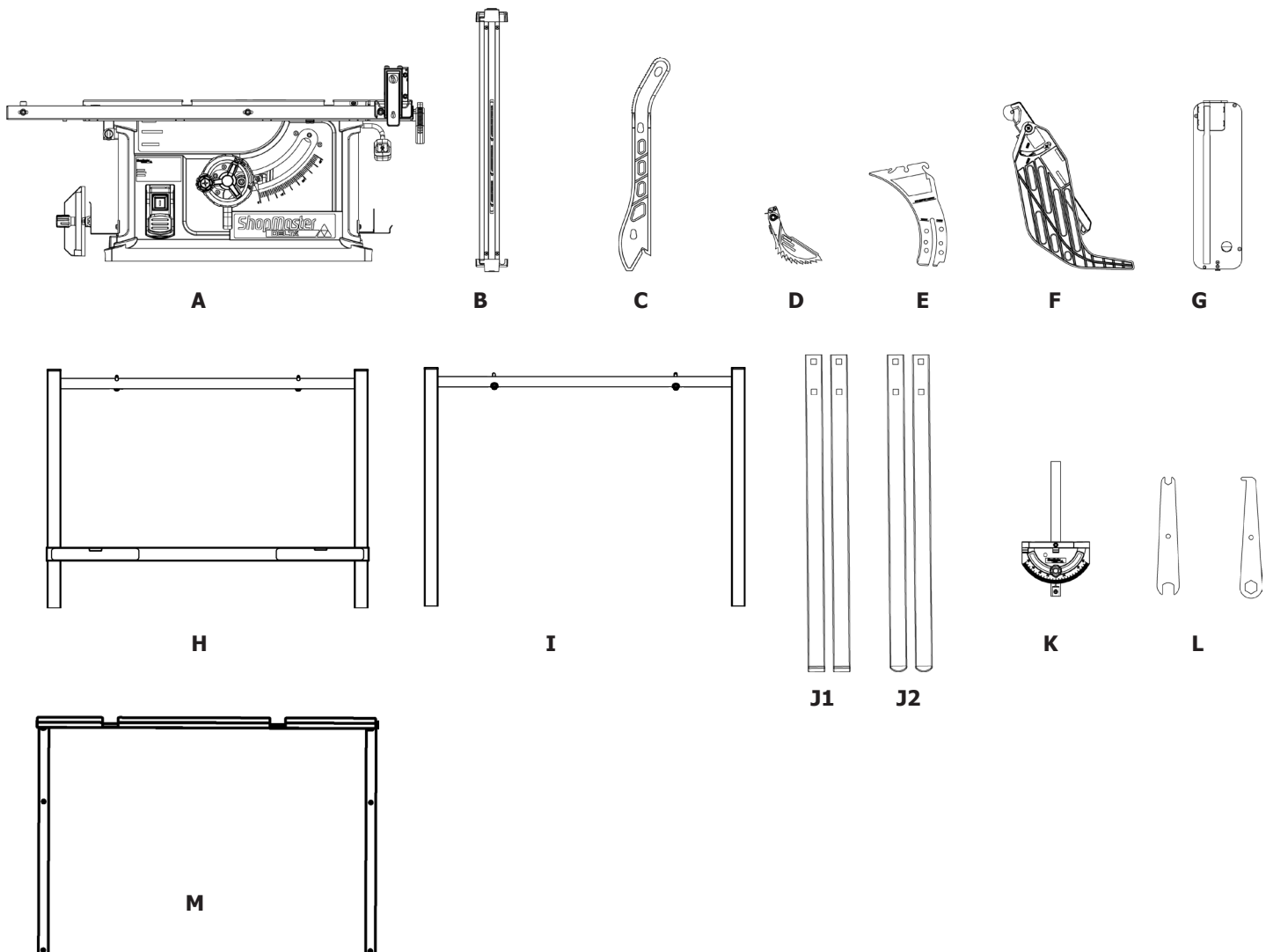
Revise el cartón de envío y la máquina en búsqueda de daño antes del desempaque. Remueva cuidadosamente los componentes en la capa de espuma superior. Retire la capa de espuma superior y luego retire todos los componentes en la capa de espuma inferior. Coloque todas las piezas en un cartón o en otra superficie plana, limpia. Siempre verifique y retire los materiales de envío protectores alrededor de los motores y piezas móviles.

No descarte la caja de cartón de envío y los materiales de empaque hasta que haya inspeccionado los contenidos cuidadosamente, ensamblado la máquina y esté satisfecho con la forma en que funciona.

Compare los contenidos del empaque con la Lista de contenido del envío y la Lista de contenido de tornillería antes del ensamblaje para asegurarse se encuentren todos los elementos. Inspeccione las piezas con cuidado para asegurarse de que no haya ocurrido daño durante el envío. Si falta cualquier parte, o estuviese dañada o pre-ensamblada, no ensamble el equipo. En cambio, comuníquese con el centro de atención al cliente al 1-800-223-7278 para obtener asistencia.

CONTENIDO DEL ENVÍO

- | | | | |
|----|---|-----|-----------------------|
| A. | Sierra | H. | Pieza de la base 1 |
| B. | Tope guía | I. | Pieza de la base 2 |
| C. | Varilla de empuje | J1. | Pies verticales (B) |
| D. | Trinquetes de prevención de contragolpes | J2. | Pies horizontales (A) |
| E. | Separador (ensamblado previamente en la sierra) | K. | Medidor de inglete |
| F. | Protección de la hoja | L. | Llaves para hojas (2) |
| G. | Placa de garganta | M. | Extensión de salida |

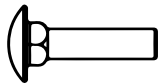
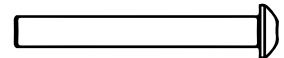
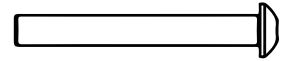
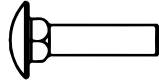
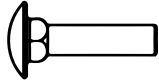
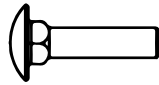
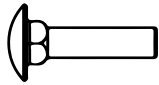


CÓMO DESEMPACAR

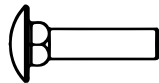
CONTENIDO DE TORNILLERÍA

Descripción (Cant.)

- a. Perno de cabeza redonda M8 x 35 mm (8)
- b. Arandela plana M8 (2)
- c. Espaciador M8 (2)
- d. Perno de cabeza hexagonal M8 x 65 mm (2)
- e. Tuerca autobloqueante M8 (10)
- f. Tornillo de hombro de la rueda manual (1)
- g. Perilla de la rueda de manija (1)
- h. Llave Phillips/hexagonal de 4mm (1)
- i. Perno hexagonal M5 x 16 (4)



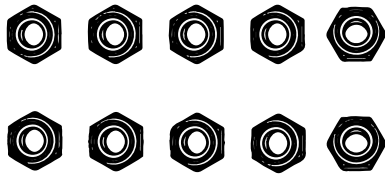
a



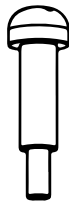
b

c

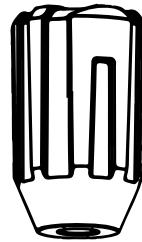
d



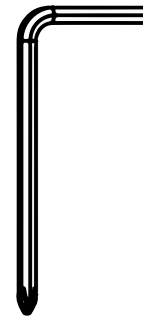
e



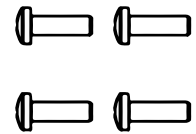
f



g

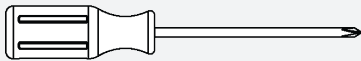


h

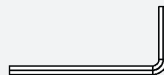


i

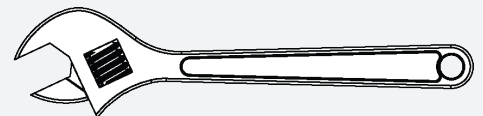
Herramientas necesarias para el ensamble o ajustes (no suministradas)



Destornillador Phillips



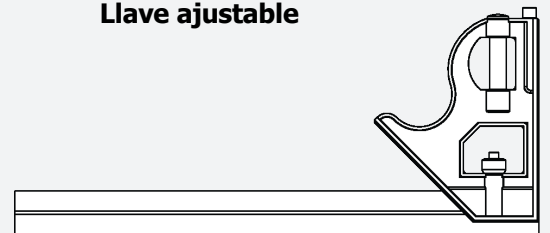
Llave hexagonal de 3 mm, 4 mm, 5 mm



Llave ajustable

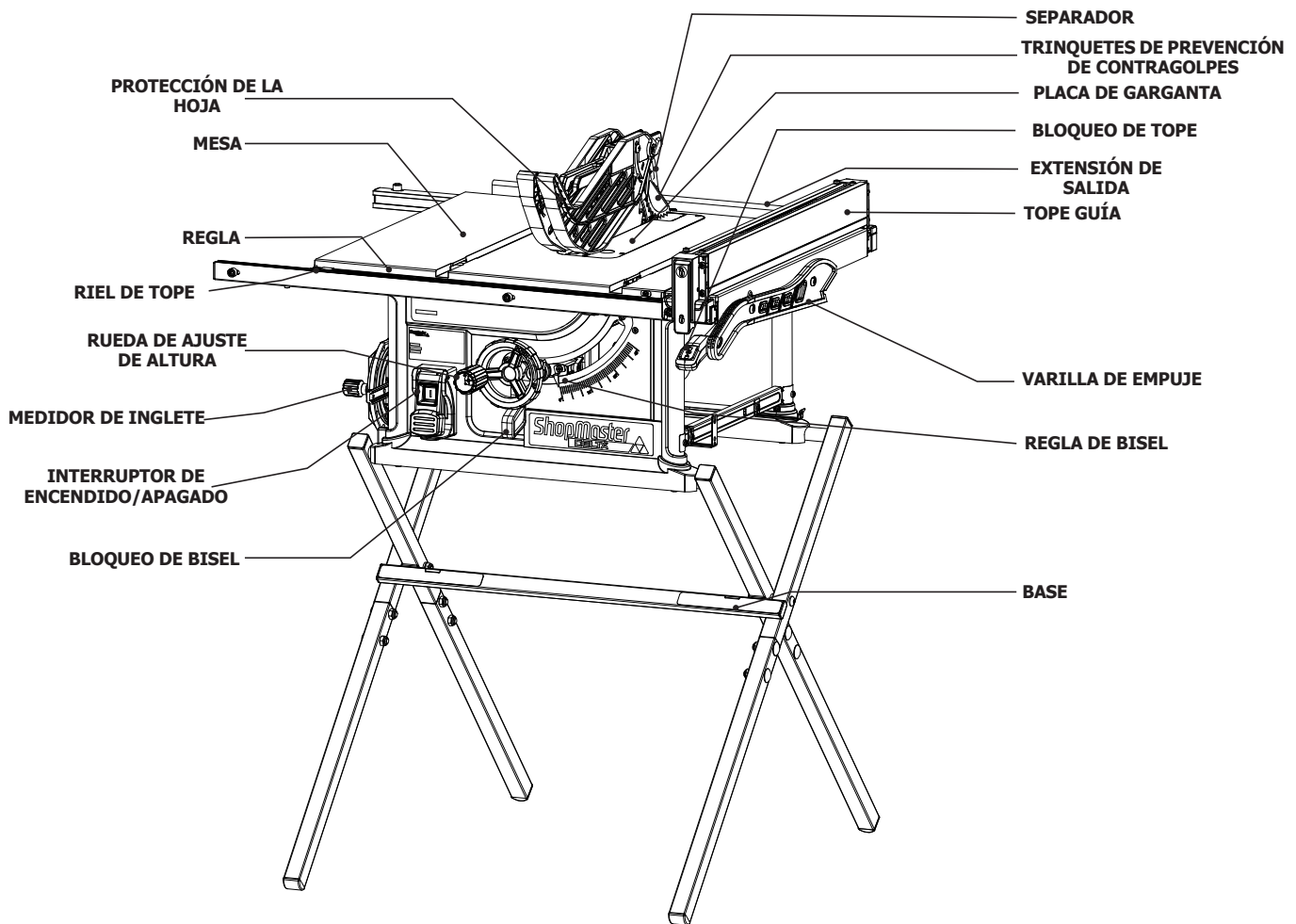


Regla recta



Escuadra combinada

CONOCIMIENTO GENERAL DE LAS PIEZAS



ENSAMBLE

Los nombres y números de las piezas y tornillería corresponden a los mostrados en las secciones Conocimiento general de las piezas, Contenido del envío y Contenido de tornillería.

⚠ ADVERTENCIA:

Al levantar la sierra, sujétela cerca de su cuerpo al levantarla. Mantenga las rodillas dobladas y levante con las piernas, no con la espalda.

Ensamble por completo la sierra con el conjunto de la base antes del uso.

El conjunto del soporte es una pieza integral y necesaria para la estructura de apoyo de la sierra. No intente sustituir por una mesa u otra superficie para el ensamblaje de la base.

No modifique la sierra ni cree accesorios no recomendados para el uso con esta sierra.

ENSAMBLE DE LA BASE

Ensamble la pieza de la base 2 (I) a través de la pieza de la base 1 (H) que tiene un apoyo transversal como se muestra en la (FIGURA 1). Asegure el conjunto de la base con el tornillo de cabeza hexagonal M8 x 65 mm (d), el espaciador M8 (c), la arandela M8 (b) y la tuerca de bloqueo M8 (e). (FIGURA 1)

NOTA: El espaciador M8 (c) se encuentra entre la pieza de la base (H) e (I).

(FIGURA 2) para la disposición correcta de las piezas de la base.

No realice la conexión con la fuente de alimentación hasta que no se complete el ensamblaje. Asegúrese de que el interruptor se encuentra en la posición "APAGADO" antes de realizar la conexión con la fuente de alimentación. Evite el contacto con los dientes de la hoja. Mantenga la hoja guardada o en la posición hacia abajo siempre que sea posible.

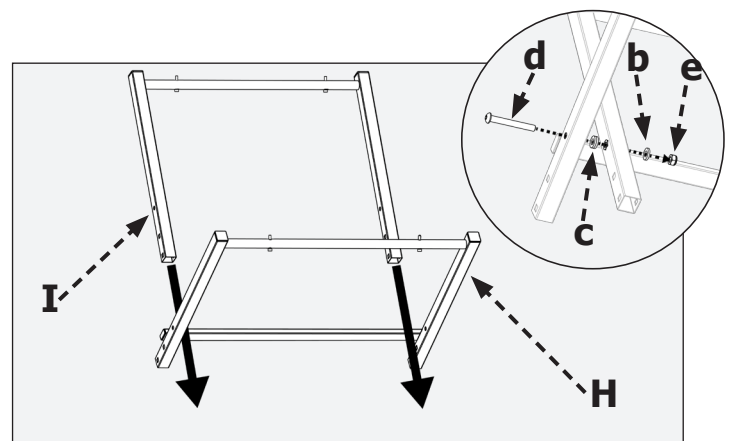


FIGURA 1

ENSAMBLE

NOTA: Asegúrese de que la parte de la base 1 (H) y la parte de la base 2 (I) estén ensambladas en la orientación correcta.

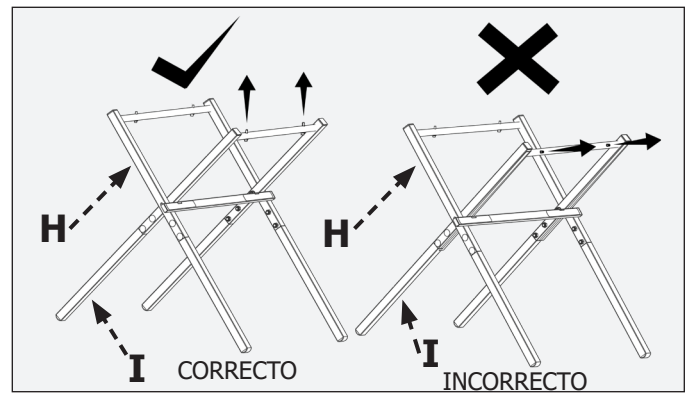


FIGURA 2

Con la base ensamblada abierta, sujete las patas (J) a la base con los (8) pernos de cabeza redonda M8 x 35 mm (a) y (8) tuercas autobloqueantes M8 (e). Apriete las tuercas autobloqueantes para fijar las patas a la base (FIGURA 3.)

NOTA: No apriete las tuercas autobloqueantes en exceso.

Puede observar el ensamble terminado de la base en la FIGURA 5.

NOTA: Las piernas deben corresponder a la posición correcta. Los pies de la parte delantera (A) son horizontales y los pies de la parte posterior (B) son verticales.

La sierra ensamblada se muestra en la FIGURE 4A y 4B.

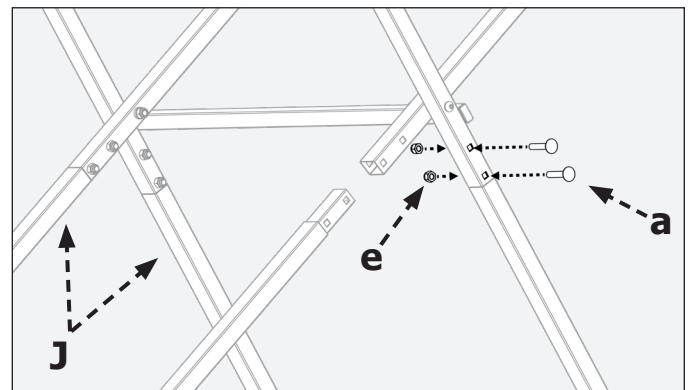


FIGURA 3

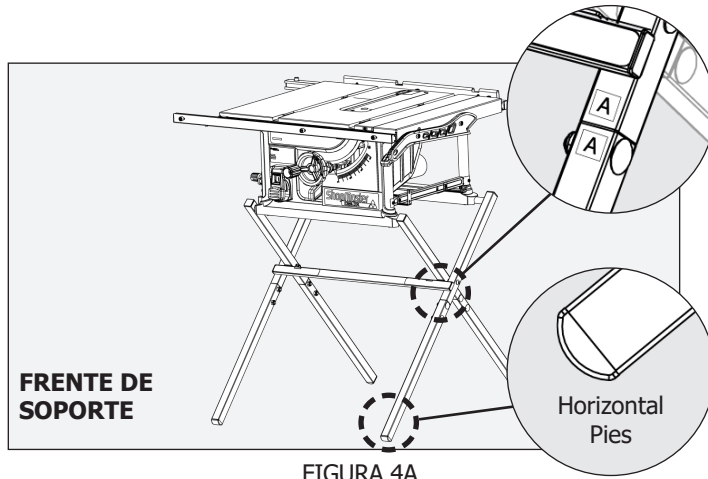


FIGURA 4A

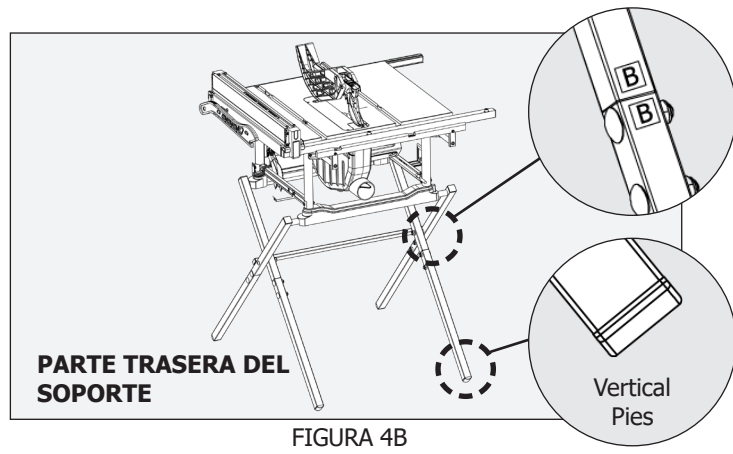


FIGURA 4B

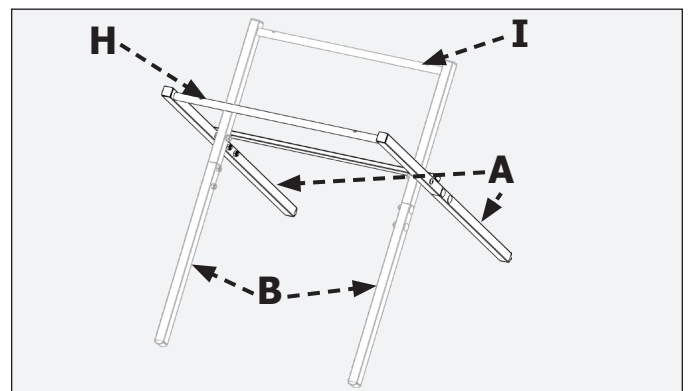


FIGURA 5

ENSAMBLE

NOTA: Antes de ensamblar la base a la sierra, desbloquee el bloqueo de bisel, incline el conjunto de la hoja/motor y extraiga la pieza de poliestireno desde la parte inferior del motor la sierra. El bloqueo de bisel es la manija ubicada debajo de la rueda de ajuste de altura de la hoja (FIGURA 5).

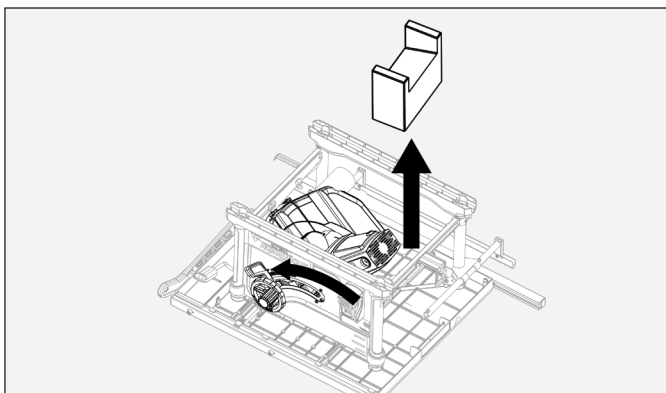


FIGURA 5

SUJECIÓN DE LA BASE A LA SIERRA

Coloque la sierra (A) en el conjunto de la base mientras alinea los orificios de los tornillos del soporte de la sierra con los orificios roscados de la base de la sierra (FIGURA 7). Apriete los tornillos de cabeza hexagonal para fijar el conjunto del soporte a la sierra.

NOTA: No apriete en exceso.

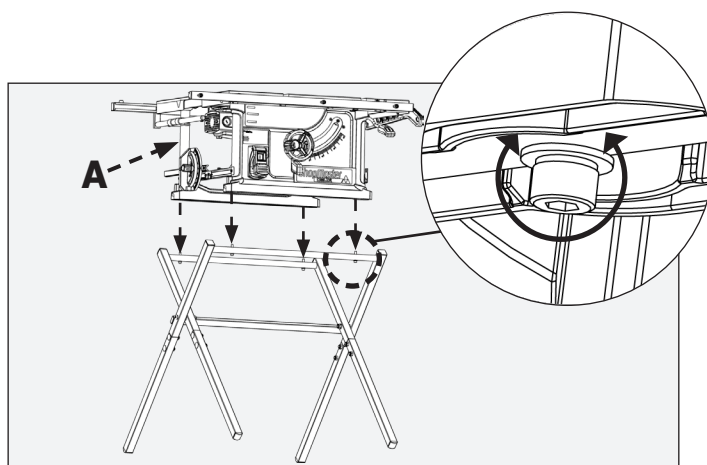


FIGURA 7

Consulte la FIGURA 8.

Extienda el soporte de salida para exhibir los cuatro orificios. Estos están ubicados en la parte inferior de los tubos del soporte de salida. Inserte cuatro perno hexagonal M5 x 16 (i) desde la parte inferior. Apriete con la llave Allen suministrada. Repita en el otro lado del soporte de salida.

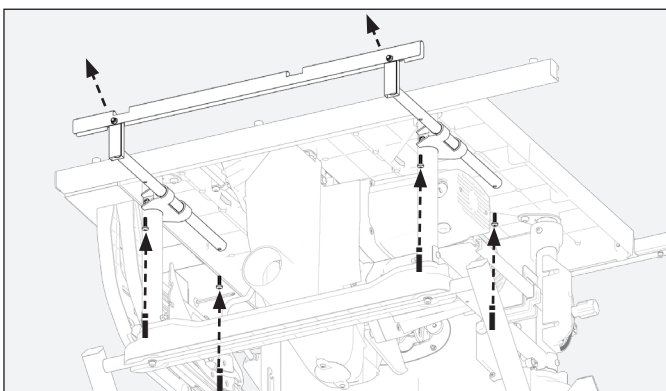


FIGURA 8

INSTALACIÓN DE LA PERILLA DE AJUSTE DE ALTURA

Inserte el tornillo de resalto (f) en la perilla de ajuste de altura (g), tal como se muestra en la FIGURA 9.

Apriete el tornillo de resalto con un destornillador Phillips en la manivela. La perilla de ajuste de altura deberá girar libremente alrededor del tornillo de resalto al levantar o bajar la hoja con la manivela de ajuste de altura.

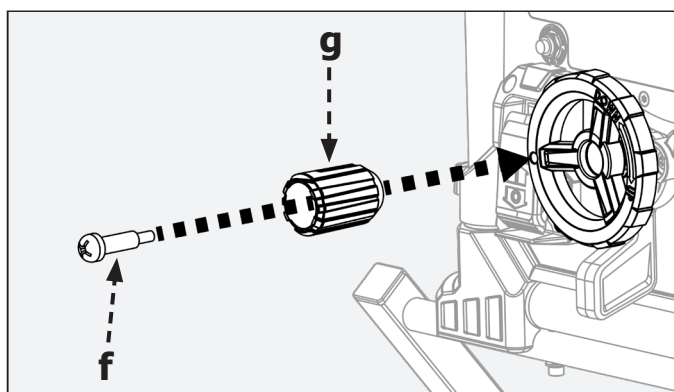


FIGURA 9

INSTALACIÓN/CAMBIO DE LA HOJA

Asegúrese de que la palanca de bloqueo del separador esté en la posición de desbloqueo (FIGURA 10).

Extraiga la tuerca y la arandela con reborde externo del conjunto del eje. Coloque la hoja en el eje con los dientes de la hoja apuntando hacia la parte frontal de la sierra. El logotipo de SHOPMASTER de la hoja quedará apuntando hacia la parte izquierda de la sierra. Coloque la arandela con reborde en el eje con el lado grande de la arandela hacia la hoja y, a continuación, fije con el conjunto de la hoja con la tuerca (FIGURA 10).

Apriete la tuerca con llaves de hoja (L) desde el área de almacenamiento integrado ubicado en el lado derecho de la sierra. La llave de punta abierta podrá colocarse en el eje entre la arandela con reborde interno y el conjunto del motor (si es necesario, gire el eje para alinear las partes planas del eje con la llave). Una llave de punta cerrada podrá colocarse en la tuerca. Consulte la FIGURA 10a.

Regrese las llaves (L) a la ubicación de almacenamiento integrado. Regrese la palanca de bloqueo del separador a la posición de bloqueo. Regrese la placa de garganta (G) asegurándose de que bloquear la lengüeta ubicada en la placa de garganta debajo de la parte superior de la mesa, tal como se muestra en la FIGURA 10b.

NOTA: Use solo hojas de 10 "(254 mm) de diámetro con orificios de eje de 5/8" (16 mm), con una capacidad nominal de 5,000 rpm o más, 0,10 "(2,6 mm) de ancho mínimo y ancho de cuerpo de 0,073" (1,85 mm). Utilice solo cuchillas de 10 pulg. Diseñadas para cortar madera.

COLOCACIÓN DEL SEPARADOR

Un separador es una placa plana que se coloca en el corte realizado por la hoja de sierra (el "corte"). Su objetivo es reducir el riesgo de contragolpes al mantener el corte abierto y reducir la tendencia de que la pieza de trabajo quede apretada en la hoja.

⚠ ADVERTENCIA: Para reducir el riesgo de lesiones graves,

- El separador deberá instalarse para cada corte pasante y no pasante, a menos que el separador interfiera con el corte.
- La cuchilla separadora provista con la sierra de mesa debe ser más gruesa que el cuerpo de las hojas de sierra correspondientes provistas con la sierra de mesa, pero más delgada que el ancho de la hoja de sierra.
- Utilice siempre una hoja con el espesor correcta para que coincida con el separador (ancho de corte mín. de 0,10" (2,6 mm) y espesor de estructura máx. de 0,073" (1,85 mm)).
- El separador deberá estar colocado de forma segura en la posición "arriba" o "corte pasante" al utilizar los trinquetes de prevención de contragolpes y la protección de la hoja.
- Asegúrese de que el separador esté alineado de forma correcta con la hoja. Consulte la sección Alineación del separador. Consulte la FIGURA 11 y 12.

Esta sierra está equipada con su separador (E) instalado en la posición hacia abajo o "corte no pasante". Este separador coincide con el espesor de la hoja que se envía con la sierra. Para instalar los trinquetes de prevención de contragolpes y el conjunto de la protección de la hoja, levante en primer lugar el separador de la posición hacia abajo o "corte no pasante" hasta la posición hacia arriba o "corte pasante", tal como se detalla a continuación:

1. Con el conjunto de la hoja en la posición más alta posible, llegue con cuidado al costado de la hoja y levante la palanca de bloqueo del separador hacia arriba para desbloquear el separador.
2. Mueva suavemente el proyector hacia la derecha para liberarlo de las clavijas de bloqueo ubicadas en el conjunto del separador.
3. Deslice el separador hacia arriba y hacia delante hasta que sienta que las clavijas de bloqueo se enganchan en el separador en la posición de "corte pasante". Cuando está alineado correctamente en la posición, la línea de "posición de

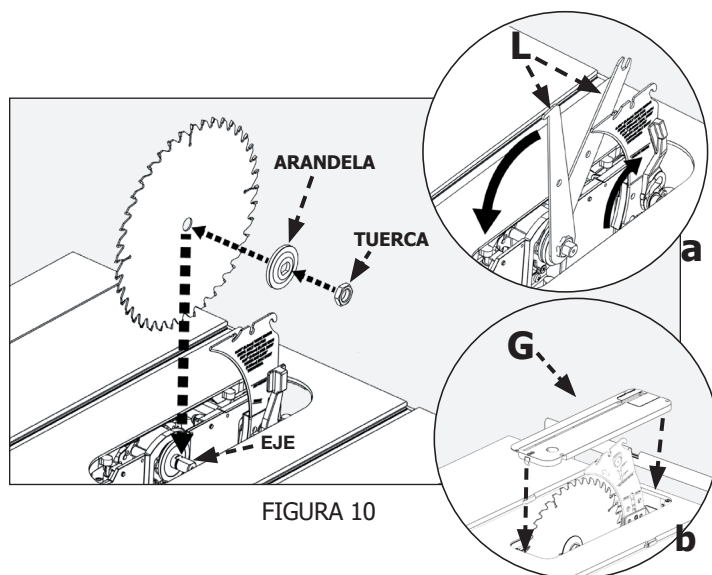


FIGURA 10

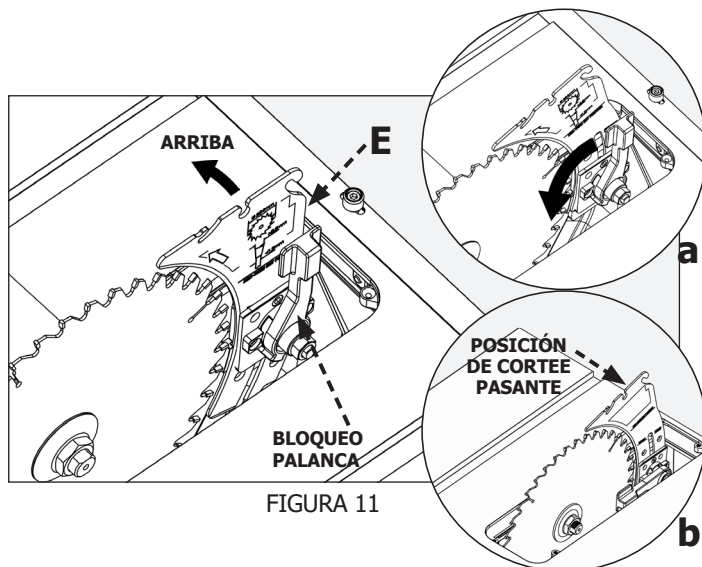


FIGURA 11

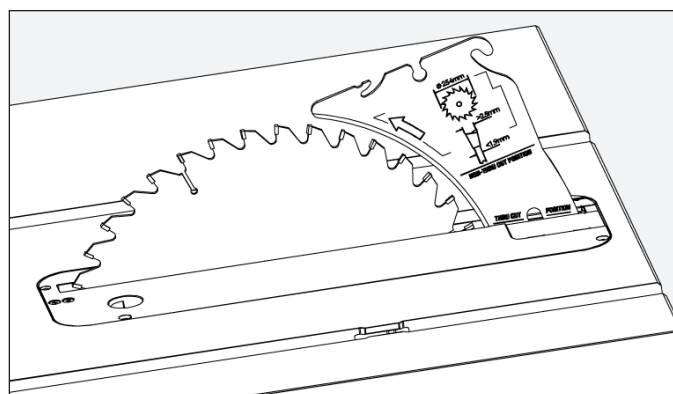


FIGURA 12

corte pasante" del separador quedará paralela y nivelada con la mesa.

4. Regrese la palanca de bloqueo del separador a la posición de bloqueo.
5. Asegúrese de que el separador esté instalado y alineado de forma correcta y segura con la hoja.

NOTA: Para cortes no pasantes, baje el separador a la posición "corte no pasante" con el mismo procedimiento. En este caso, la línea de "posición de corte no pasante" deberá estar paralela y nivelada con la mesa.

INSERCIÓN Y NIVELACIÓN DE LA PLACA DE GARGANTA

Inserte la lengüeta posterior de la placa de garganta (G) (el extremo con las placas de desgaste) debajo de la superficie de la mesa y encaje el extremo frontal en su ubicación (FIGURA 13).

Compruebe que la placa de garganta esté ajustada de forma correcta en la mesa. La parte frontal de la placa de garganta debe estar nivelada o ligeramente por debajo de la superficie de la mesa y la parte posterior de la placa de garganta debe estar nivelada o ligeramente por encima de la superficie de la mesa (FIGURA 13).

Si se requiere un ajuste, ajuste los (4) tornillos Phillips (FIGURA 14) hacia arriba o abajo según sea necesario. Repita este proceso según sea necesario hasta que la placa de garganta quede nivelada.

Para retirar la placa de la garganta, baje la hoja por debajo de la mesa, luego deslice con cuidado la placa de la garganta desde la parte trasera de la mesa hacia la parte delantera, manteniendo la hoja centrada dentro de la ranura en la placa de la garganta.

Para retirar la placa de la garganta, baje la hoja por debajo de la mesa, luego deslice con cuidado la placa de la garganta desde la parte trasera de la mesa hacia la parte delantera, manteniendo la hoja centrada dentro de la ranura en la placa de la garganta. (Fig. 14B)

⚠ ADVERTENCIA:

Es importante que la placa de garganta esté ajustada de forma correcta en la mesa. Esto garantiza que la pieza de trabajo no quede atrapada en la placa de garganta o la mesa al alimentar la pieza de trabajo a través de la hoja durante un corte.

NOTA: Las inserciones de placa de garganta de espacio libre o espacio libre de la hoja están disponibles en línea.

NOTA: Ninguna porción del inserto de la mesa debe estar por encima o más de 0,7 mm por debajo del plano de la superficie de la mesa en el lado de entrada y ninguna porción del inserto de la mesa está por debajo o más de 0,7 mm por encima del plano de la Tapa de la mesa en el lado de salida.

TRINQUETES DE PREVENCIÓN DE CONTRAGOLPES Y PROTECCIÓN DE LA HOJA

El separador (E) deberá estar en la posición de corte pasante antes de la instalación de los trinquetes de prevención de contragolpes (D) y protección de la hoja (F).

Inserte el conjunto de los trinquetes (D) en la ranura central del separador (E) tal como se muestra en la FIGURA 15 mientras presiona la clavija de accionamiento por resorte ubicada en la parte derecha del conjunto de los trinquetes.

Una vez que esté insertado, suelte la clavija de accionamiento por resorte a fin de que regrese a su lugar (FIGURA 15). Asegúrese de que esté bloqueado en su posición.

Para quitar las patas anti-retroceso, presione el pasador y saque el anti-retroceso de la cuchilla.

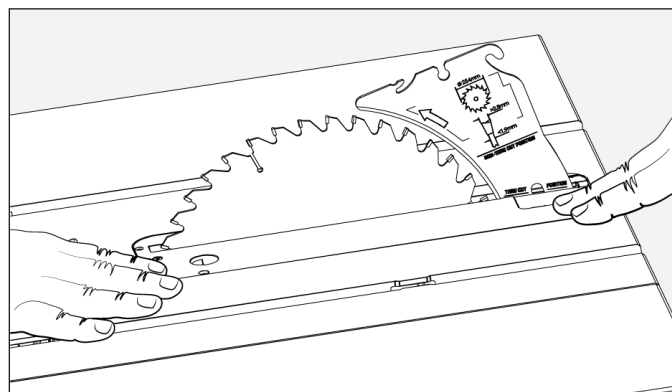


FIGURA 13

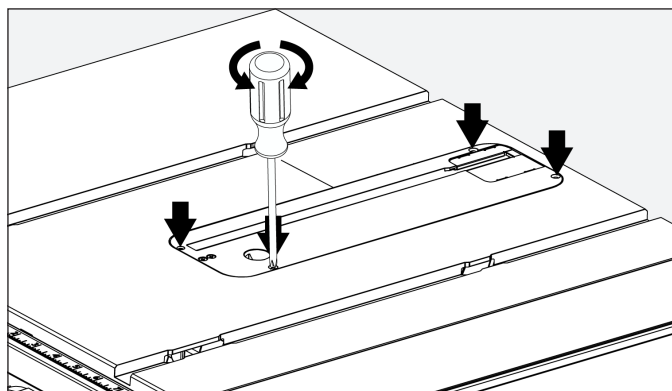


FIGURA 14

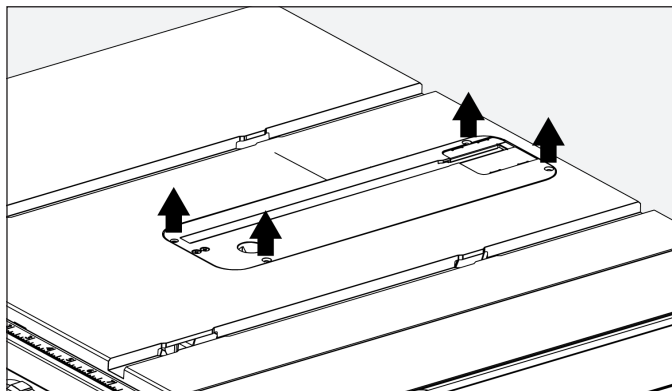


Figura 14B

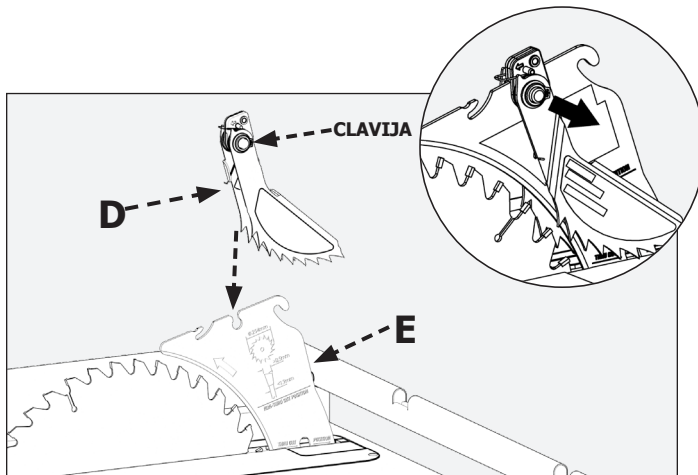


FIGURA 15

ENSAMBLE

Mientras sujeta el conjunto de la protección de la hoja (F) en una posición vertical, tal como se muestra en la FIGURA 16, tire de la clavija del conjunto de la protección de la hoja completamente hacia arriba hacia la ranura posterior del separador. Gire el conjunto de la protección de la hoja completamente hacia abajo a fin de que los brazos queden paralelos a la mesa (FIGURA 16a). A continuación, bloquee la protección de la hoja en su lugar presionando la lengüeta de bloqueo (FIGURA 16b).

⚠ ADVERTENCIA: No mantenga la lengüeta de bloqueo en la posición de bloqueo mientras instala la protección de la hoja.

⚠ ADVERTENCIA: Después de encajar la lengüeta de bloqueo para bloquear la protección de la hoja en su lugar, tire hacia arriba los brazos para asegurarse de que la protección está bloqueada de forma correcta.

Para retirar el ensamble de la guarda para hoja:

1. Levante la palanca de bloqueo del ensamble de la guarda para hoja (D) a la posición de desbloqueo.
2. Gire la guarda hacia atrás y deslice el pasador (B) de la ranura del separador.

Si el protector de la cuchilla no está paralelo a la mesa, la cuchilla separadora no está en posición levantada (corte transversal). Levante y baje cada lado del protector de la cuchilla para verificar el movimiento libre del sistema de protector. Asegúrese de que el sistema de protección pueda elevarse lo suficiente para despejar la pieza de trabajo. **Nota:** Se puede ajustar la alineación de la cuchilla con la cuchilla separadora. Consulte: Revisión y alineación de la cuchilla hueca y la hoja de sierra, página 77. Verifique que el protector de la hoja no tenga holguras ni movimiento libre.

TOPE GUÍA

⚠ ADVERTENCIA: No utilice una guía tope y galga de inglete juntas sin usar un bloque de recorte (medidor), tal como se describe en la sección Auxiliares y accesorios de corte de este manual.

Esta sierra está equipada con un sistema de alineación de guía de 3 posiciones que le permite lograr cortes rápidos y precisos. En función del tipo de corte requerido, utilice cada una de las 3 posiciones, tal como se detalla a continuación (FIGURA 17). **Nota:** Todas las escalas son se usa para medir la distancia desde la superficie más interna de la cerca hasta la cara de la cuchilla. La escala debe leer cero cuando la cerca toca la cuchilla y debe aumentar a medida que se extiende la mesa y la cerca se aleja de la hoja.

- Posición 1 (P1): utiliza la escala azul para cortes de corte izquierdo de 0-15 pulgadas. Usar indicador de regla (FIGURAS 19 y 19a)
- Posición 2 (P2): utiliza la escala blanca con numeración negra para cortes de corte a la derecha de 0-18 pulgadas. Use el indicador de regla (FIGURA 18b).
- Posición 3 (P3): utiliza la escala negra con numeración blanca para cortes de corte a la derecha de 10-28 pulgadas. Use el indicador de regla (FIGURA 18a).

1. Determine qué posición requerirá utilizando la tabla anterior.
2. Baje los apoyos ubicados en cada extremo de la guía hacia los topes fijos ubicados en el riel de la sierra de mesa. (FIGURA 17a y 17b).
3. Enganche el bloqueo de la guía ubicado en la parte frontal de la guía (FIGURA 17).
4. Determine qué indicador requerirá utilizando la lista con viñetas anterior.
5. Desenganche (tire hacia arriba) la palanca de bloqueo de extensión de la mesa (FIGURA 19a).
6. Coloque la guía en la ubicación deseada moviendo la tensión de la mesa deslizante.
7. Enganche (presione hacia abajo) la palanca de bloqueo de extensión de la mesa (FIGURA 20a).

Para materiales delgados use la guía a la izquierda de la cuchilla. Doble hacia abajo la cerca delgada para permitir el uso de la protección de la cuchilla. Resta 2 pulgadas de la escala para una medición precisa (FIGURA 19 B).

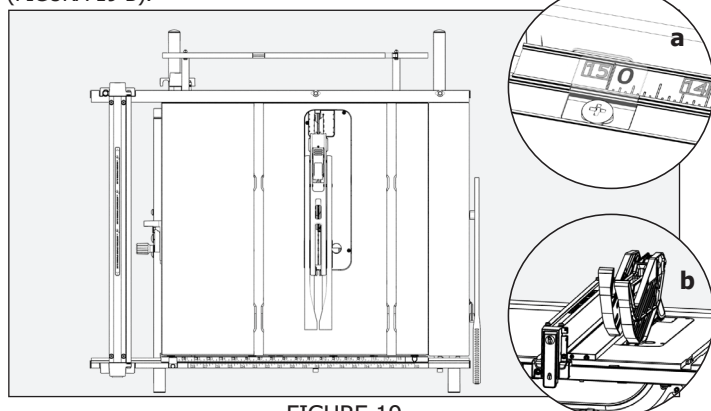


FIGURE 19

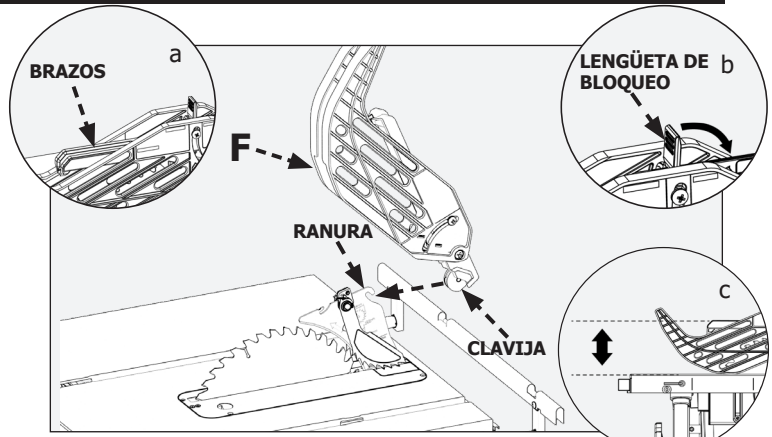


FIGURA 16

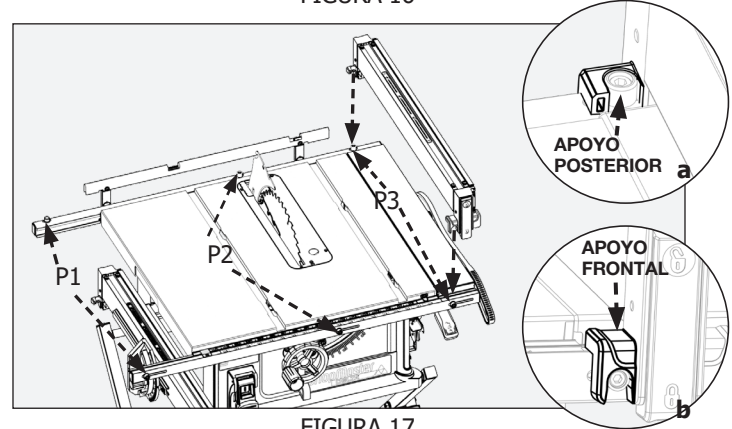


FIGURA 17

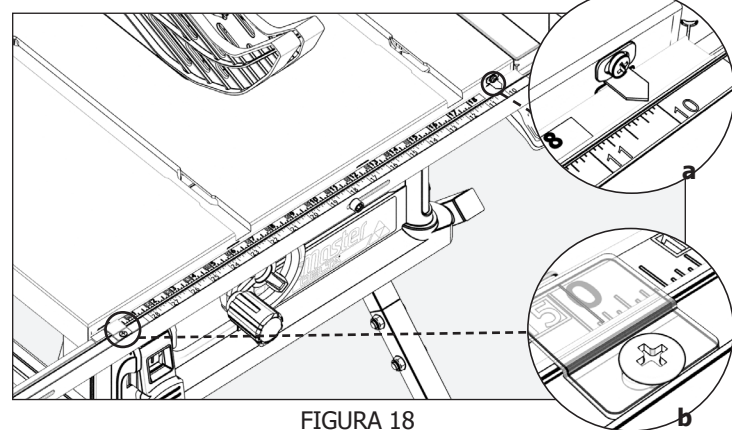


FIGURA 18

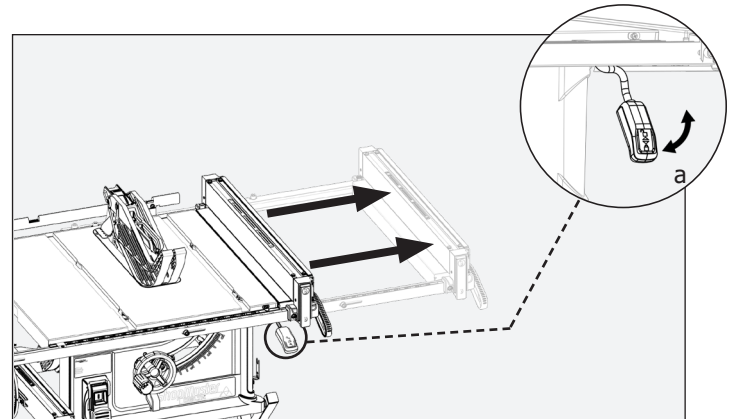


FIGURA 20

⚠ ADVERTENCIA: Enganche siempre el bloqueo de extensión de la mesa antes de encender la sierra o realizar algún corte. No seguir estas reglas podría provocar lesiones personales graves.

FUNCIONAMIENTO

⚠ ADVERTENCIA: No cumplir con las siguientes advertencias puede resultar en una lesión personal grave.

LEA TODO EL MANUAL. Además de leer estas instrucciones de funcionamiento, es importante leer y entender todo el manual antes de operar esta sierra. Siga todas las instrucciones aplicables con respecto al montaje, preparación y ajuste antes de realizar cualquier corte y cumpla con todas las normas de seguridad y las advertencias en esta sección y en otras partes de todo este manual.

CADA VEZ QUE USE LA SIERRA, REPASE LA SIGUIENTE LISTA DE VERIFICACIÓN:

- ¿Son adecuadas la fuente de alimentación y las conexiones a la fuente de alimentación para la sierra?
- ¿La sierra y el área de trabajo están libres de obstrucciones y curiosos?
- ¿Está la hoja apretada y correctamente alineada?
- ¿El grosor del separador coincide con la hoja?
- ¿La hoja y el separador están correctamente alineados?
- ¿El operario está calificado para realizar el corte y familiarizado con todas las reglas, advertencias e instrucciones de seguridad relevantes que se incluyen en este manual?
- ¿El operario y todas las personas que están cerca de la sierra están usando protección ocular, auditiva y equipo respiratorio adecuados?
- ¿El ángulo de bisel y las perillas de ajuste de altura están bloqueados en la posición correcta?
- ¿La hoja está situada en la altura adecuada?
- Si realiza un corte al hilo, ¿el tope guía para corte al hilo está paralelo con la hoja y enganchado firmemente en la posición?
- Si realiza un corte transversal, ¿está apretada la perilla de la galga de inglete?
- Si realizan cortes pasantes con una hoja estándar, ¿están la protección de la hoja, separador y trinquetes de prevención de contragolpes correctamente instalados y funcionando adecuadamente con ambas protecciones tocando la superficie de la mesa?
- ¿Existe espacio libre y soporte adecuados para la pieza de trabajo a medida que sale de la hoja?

- ¿Es necesario tener auxiliares de corte? Si es así, ¿están instalados o al alcance para su uso correcto?
- El uso de aditamentos y accesorios no recomendados por el fabricante podrían causar lesiones.
- Reemplace o afile los trinquetes de prevención de contragolpes cuando las puntas se desafilan.
- Asegúrese de que la sierra esté estable y puedan realizarse cortes sin volcar la sierra.
- Nunca use una guía tope y galga de inglete juntas sin usar un bloque de recorte (medidor), tal como se describe en la sección Auxiliares y accesorios de corte de este manual.
- La placa de garganta adecuada debe estar instalada en todo momento.
- Si la sierra produce un ruido desconocido o si vibra en exceso, deje de usarla inmediatamente hasta ubicar y corregir la fuente del problema.
- Nunca realice un corte a pulso, corte de penetración, reaserramiento o corte cóncavo.

EVITE LOS CONTRAGOLPES

Un contragolpe puede ocurrir cuando la pieza de trabajo presiona la hoja o se atasca entre la hoja de sierra y el tope guía u otro objeto fijo. Esto puede causar que la pieza de trabajo se eleve de la mesa o sea expulsada hacia el operario. Consulte las instrucciones para reducir el riesgo de contragolpes en la sección Reglas de seguridad de la sierra de mesa de este manual.

SI OCURRE UN CONTRAGOLPE, "APAGUE" la sierra y verifique la alineación de la hoja, el separador y la galga de inglete o el tope guía, y el funcionamiento adecuado del separador, conjunto de prevención de contragolpes y conjunto de la protección de la hoja antes de reanudar el trabajo.

ENCENDIDO Y APAGADO DE LA SIERRA

El interruptor ENCENDIDO/APAGADO está ubicado en la parte izquierda del panel frontal de la sierra.

Para ENCENDER la sierra, levante el interruptor. Presione el interruptor hacia abajo para APAGAR la sierra (FIGURA 21).

Cuando no esté en uso, la sierra deberá estar apagada y el interruptor de encendido/apagado deberá estar bloqueado a fin de evitar un uso no autorizado. Para bloquear el interruptor de encendido/apagado, use un candado de grillete largo estándar, con un grillete que mida al menos 2-3/4 pulgadas (70 mm) de largo y no sea mayor a 9/32 de pulgada (7 mm) de grosor.

Colector de polvo

1. Conecte una manguera de recolección de polvo o aspiradora de taller al puerto para polvo en la parte posterior de la sierra para obtener la mejor recolección de polvo.

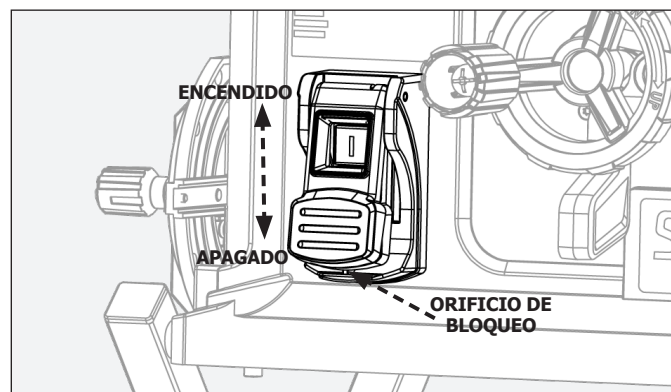


FIGURA 21

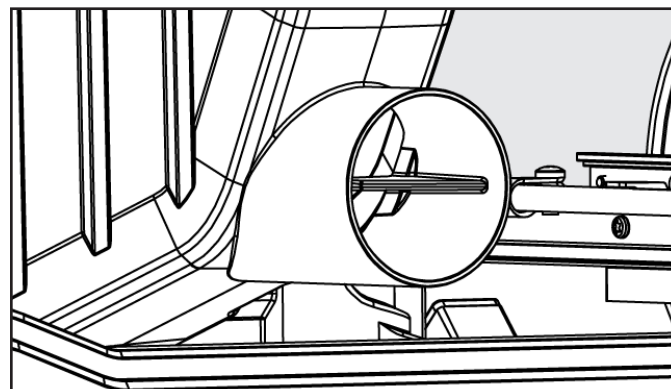


FIGURA 22

ALMACENAMIENTO

ALMACENAMIENTO

El almacenamiento está ubicado en el panel derecho, como se muestra en los ejemplos 1 y 2.

C. Varilla de empuje

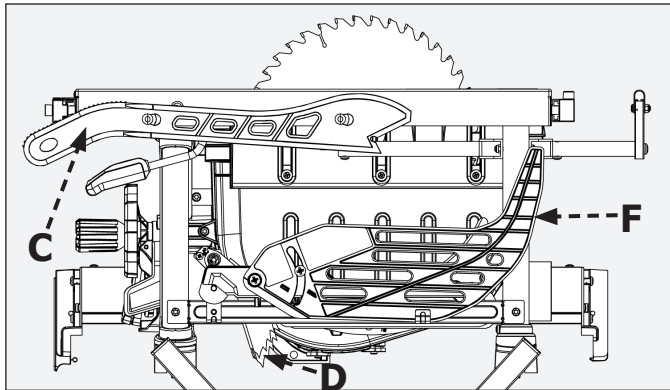
F. Protección de la hoja

B. Tope guía

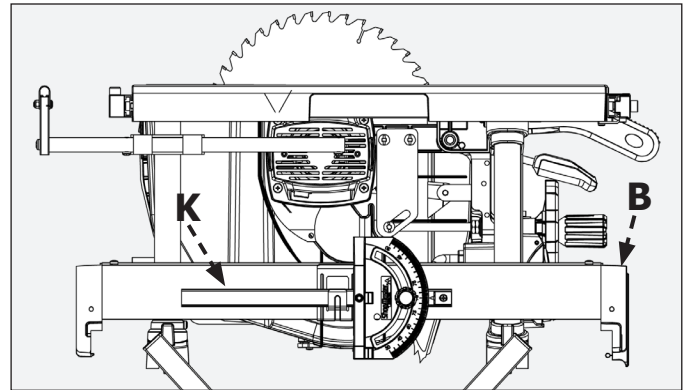
E. Separador (Detrás Protección de la hoja)

D. Trinquetes de prevención de contragolpes

K. Medidor de inglete



EJEMPLO 1



EJEMPLO 2

CÓMO REALIZAR LOS CORTES

⚠ ADVERTENCIA: No cumplir con las siguientes advertencias puede resultar en una lesión personal grave.

- Nunca toque el extremo suelto de la pieza de trabajo o una pieza suelta cortada, mientras la sierra esté encendida o la hoja de la sierra esté girando. Puede ocurrir un contacto o atasco con la hoja lo que a su vez provocará la expulsión de la pieza de trabajo.
- Al aserrar una pieza de trabajo o panel largo, use un apoyo para la pieza, tal como un caballete, rodillos o mesa de salida que estén a la misma altura que la superficie de la mesa de la sierra.
- Nunca intente hacer retroceder la pieza de trabajo con la hoja girando. Si necesita retroceder la pieza de trabajo o levantarla de la mesa, apague la sierra, espere a que la hoja se detenga, eleve los dientes de prevención de contragolpes en cada lado del separador si es necesario y retire la pieza de trabajo.
- Antes de conectar la sierra de mesa a la fuente de alimentación o utilizarla, siempre inspeccione el conjunto de la protección de la hoja y el separador para verificar la alineación y el espacio libre con la hoja de sierra. Verifique la alineación después de cada cambio de ángulo de biselado.
- SIEMPRE debe usar un tope guía para las operaciones de cortes al

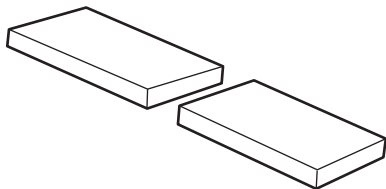
hilo a fin de evitar perder el control y lesiones personales. Siempre enganche la guía al riel. NUNCA realice una operación de corte al hilo a pulso.

- Cuando realice cortes biselados, coloque la guía en el lado derecho de la hoja de modo que esta se incline en dirección contraria a la guía y las manos. Mantenga las manos alejadas de la hoja y utilice una varilla de empuje para empujar la pieza de trabajo a menos que esta sea suficientemente grande para permitir sujetarla a más de 6 pulgadas (152 mm) de distancia de la hoja.
- Antes de dejar la sierra desatendida, bloquee el interruptor de encendido/apagado o tome otras medidas adecuadas para evitar el uso no autorizado de la sierra.
- Esta sierra está diseñada para cortar madera, madera contrachapada, material de cubierta de material compuesto y ciertos plásticos cuando se utiliza la hoja correcta.
- NO use esta sierra para cortar metal, baldosas u otros materiales que no se mencionan en su hoja.

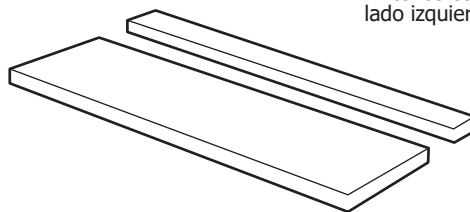
⚠ ADVERTENCIA

- Siempre asegúrese de que el protector de la hoja (A) y los trinquetes anti retroceso (B) estén en su lugar y que trabajen correctamente cuando haga estos cortes para evitar una posible lesión.
- No use hojas clasificadas para una velocidad menor que la de esta herramienta. La falta de atención a esta advertencia podría causar lesiones personales serias.

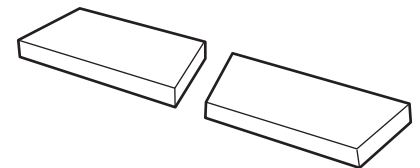
- Para evitar un retroceso, asegúrese de que un lado de la pieza de trabajo esté asegurada contra el tope-guía durante cualquier corte al hilo y sostenga la pieza de trabajo con firmeza contra el calibre de ingletes durante cualquier corte a inglete.
- No intente cortes a inglete compuestos, con la hoja en bisel y el tope de ingletes en ángulo, hasta que esté bien familiarizado con los cortes básicos y entienda cómo se evitan los retrocesos.
- Evite los cortes de corte biselado con la mayoría del material en el lado izquierdo de la cuchilla.



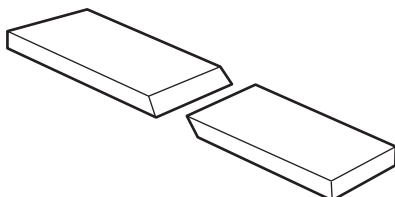
Corte transversal



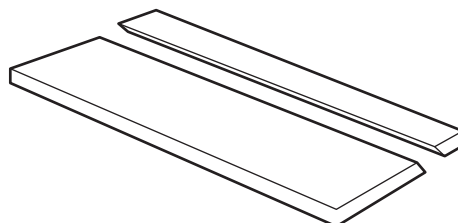
Corte al hilo



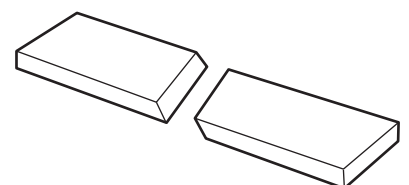
Corte transversal en inglete



Corte transversal biselado



Corte al hilo biselado



Corte en inglete compuesto

CÓMO REALIZAR LOS CORTES

CORTES AL HILO

- Corte al hilo: el corte al hilo se realiza predominantemente en dirección paralela con el grano de la madera.
- Asegúrese de que la hoja esté paralela a la ranura del calibrador de ingletes antes de cortar. Instrucciones de ajuste en la página 72.

1. Extraiga el medidor de inglete.
2. Asegúrese de que el ángulo de biselado esté posicionado en 0° .
3. Ajuste la hoja a la altura correcta para la pieza de trabajo.
4. Instale el tope guía y engánchelo paralelo con la hoja y a la distancia deseada de la misma.
5. Mantenga los dedos al menos a 6 pulgadas de distancia de la hoja en todo momento. Cuando la mano no pueda colocarse de manera segura entre la hoja y el tope guía, seleccione una pieza de trabajo más grande o utilice una varilla de empuje y otros auxiliares de corte, según sea necesario, para controlar la pieza de trabajo.
6. Asegúrese de que la pieza de trabajo esté retirada de la hoja - al menos 1 pulgada o 25 mm de distancia - antes de encender la sierra.
7. Encienda la sierra.
8. Sujete la pieza de trabajo horizontalmente sobre la mesa y contra la guía (A). La pieza de trabajo debe tener un borde recto contra la guía y no debe estar deforme, torcida ni doblada. Puede observar la posición correcta de las manos en la (FIGURA 23).
9. Espere a que la hoja alcance la velocidad completa antes de mover la pieza de trabajo hacia la hoja.
10. Ambas manos pueden usarse al iniciar el corte siempre que estas permanezcan a 6 pulgadas de distancia de la hoja.
11. Mantenga la pieza de trabajo contra la mesa y guía y

empújela lentamente hacia atrás pasando por la hoja de la sierra hasta el final. No sobrecargue el motor forzando la pieza de trabajo contra la hoja.

12. Utilice la varilla de empuje y cualquier otro auxiliar de corte, según sea necesario, para sujetar la pieza de trabajo contra la mesa y la guía, y empuje la pieza de trabajo hasta que pase por la hoja. Una varilla de empuje se incluye con esta sierra. Además, se incluyen instrucciones para fabricar varillas de empuje adicionales y otros auxiliares de corte.
13. No empuje ni sujete el lado suelto o cortado de la pieza de trabajo.
14. Continúe empujando la pieza de trabajo hasta que esté retirada de la hoja. No sobrecargue el motor forzando la pieza de trabajo contra la hoja.
15. Cuando termine el corte, apague la sierra. Espere a que la hoja se detenga por completo antes de extraer la pieza de trabajo de la mesa.

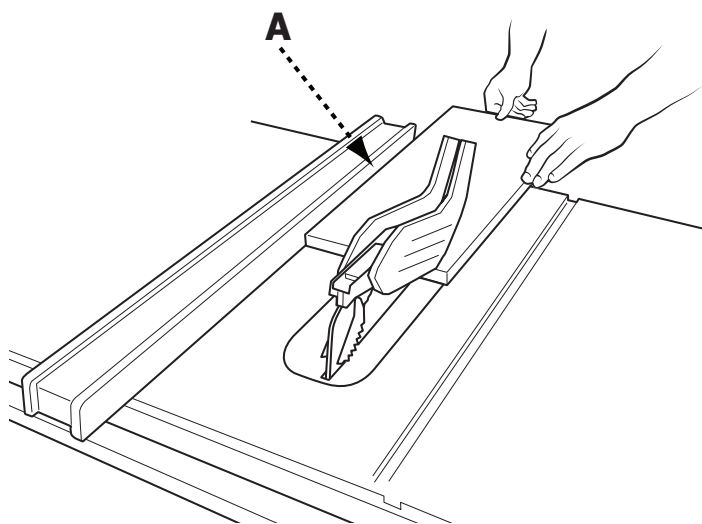


FIGURA 23

CORTE AL HILO BISELADO

Cortar al hilo biselado es igual al corte al hilo excepto que el ángulo de biselado (A) se ajusta a un ángulo excepto 0° . Cuando realice un corte al hilo biselado, coloque la guía en el lado derecho de la hoja de modo que esta se incline en dirección contraria a la guía y las manos. (FIGURA 24).

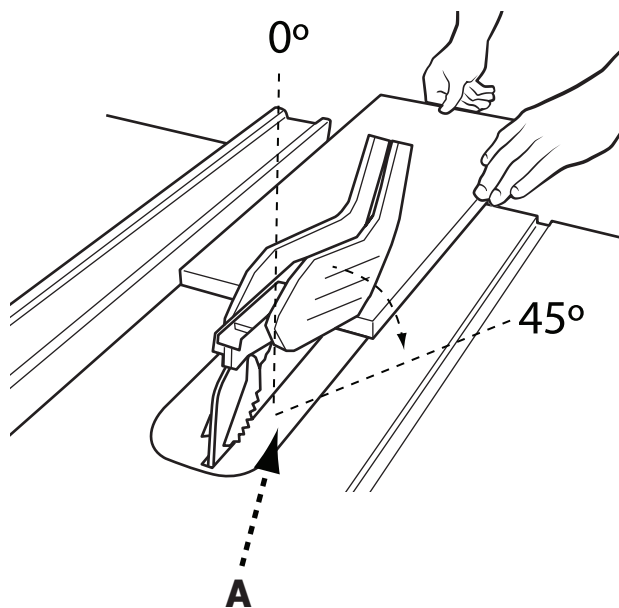


FIGURA 24

CÓMO REALIZAR LOS CORTES

CORTE TRANSVERSAL

- Corte transversal: el corte transversal se realiza predominantemente en dirección perpendicular con el grano de la madera.
- Asegúrese de que la hoja esté paralela a la ranura del calibrador de ingletes antes de cortar. Instrucciones de ajuste en la página 72.

⚠ ADVERTENCIA:

- **NUNCA** use el tope guía como una guía o tope de largo al realizar un corte transversal.
- La pieza cortada nunca debe confinarse en ninguna operación de corte pasante (cortar por completo la pieza de trabajo) para evitar pinchar la hoja, lo que puede resultar en la expulsión de la pieza de trabajo y posibles lesiones.
- Al usar un bloque como un calibre de corte, el bloque debe medir al menos 3/4 pulgada (19 mm) de grosor. Es muy importante que el extremo posterior del bloque se fije en una posición donde la pieza de trabajo esté alejada del bloque antes de entrar a la hoja para evitar atascar la pieza de trabajo.

Puede utilizar la galga de inglete en la ranura de la mesa en cortes sin biselado. Para aumentar el área de superficie de la cara de la galga de inglete, agregue una cara auxiliar (consulte la sección Auxiliares de corte de este manual).

Para realizar un corte transversal, consulte la FIGURA 24 y siga este proceso:

1. Extraiga el tope guía.
2. Asegúrese de que el ángulo de biselado esté posicionado en 0° .
3. Ajuste la hoja a la altura correcta para la pieza de trabajo.
4. Coloque el medidor de inglete en cualquiera de las ranuras de inglete.
5. Ajuste el medidor de inglete a 90° y apriete la perilla de bloqueo del medidor de inglete.
6. Las manos deben permanecer al menos 6 pulgadas de distancia de la hoja durante todo el corte. Si una pieza de trabajo es demasiado pequeña para mantener las manos al menos a 6 pulgadas de distancia de la hoja, seleccione una pieza de trabajo más grande o coloque una cara auxiliar a la galga de inglete y acople la pieza de trabajo a la parte frontal del auxiliar. Para

instrucciones sobre cómo hacer auxiliares, consulte la sección Auxiliares de corte de este manual.

7. Asegúrese de que la pieza de trabajo esté retirada de la hoja (al menos 1 pulgada o 25 mm de distancia) antes de encender la sierra.
8. Encienda la sierra.
9. Espere a que la hoja alcance la velocidad completa antes de mover la pieza de trabajo hacia la hoja.
10. La mano más cercana a la hoja debe colocarse en la perilla de bloqueo de la galga de inglete y la mano más alejada de la hoja debe sujetar la pieza de trabajo firmemente contra la parte frontal de la galga de inglete. No empuje ni sujete el lado suelto o cortado de la pieza de trabajo.
11. Lentamente empuje la pieza de trabajo pasándola por la hoja de sierra. No sobrecargue el motor forzando la pieza de trabajo contra la hoja.
12. Cuando termine el corte, apague la sierra. Espere a que la hoja se detenga por completo antes de extraer la pieza cortada de la mesa.

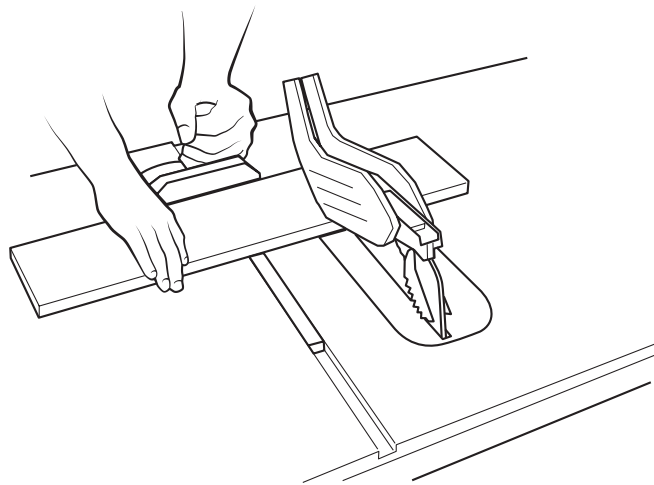


FIGURA 25

CORTE TRANSVERSAL BISELADO

El corte transversal biselado es igual al corte transversal excepto que el ángulo de biselado (A) se ajusta a un ángulo distinto a 0° . Cuando realice un corte transversal biselado, coloque la galga de inglete en la ranura de inglete derecha de modo que la hoja se incline lejos de la galga y las manos (FIGURA 26).

CORTE TRANSVERSAL EN INGLETE

El corte transversal en inglete es igual al corte transversal excepto que el ángulo de inglete (B) se ajusta a un ángulo distinto a 90° (FIGURA 26).

⚠ ADVERTENCIA:

- Los ángulos de inglete menores a 45° pueden forzar el conjunto de la protección de la hoja contra la hoja de la sierra, lo que provocaría daños al conjunto de la protección de la hoja y lesiones personales. Antes de arrancar el motor, pruebe el funcionamiento empujando la pieza de trabajo por el conjunto de la protección de la hoja. Si el conjunto de la protección de la hoja hace contacto con la hoja, antes de arrancar el motor, coloque la pieza de trabajo abajo del conjunto de la protección de la pero sin tocar la hoja.

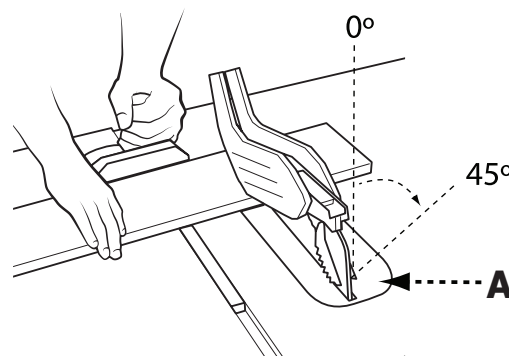


FIGURA 26

- Ciertas formas de piezas de trabajo, tales como molduras, pueden no levantar correctamente el conjunto de la protección de la hoja. Con la sierra apagada, empuje lentamente la pieza de trabajo hacia el área de la protección de la hoja hasta que la pieza de trabajo toque la hoja. Si el conjunto de la protección de la hoja hace contacto con la hoja, antes de arrancar el motor, coloque la pieza de trabajo abajo del conjunto de la protección de la pero sin tocar la hoja.

CÓMO REALIZAR LOS CORTES

CORTES EN INGLETE COMPUESTOS

Este es una combinación de corte transversal biselado e ingletes. Consulte la (FIGURA 27) y siga las instrucciones para corte transversal biselado e ingletes. Recuerde usar la ranura de inglete derecho para todos los cortes biselados.

CORTES DE PANEL LARGOS

Coloque los soportes de la pieza de trabajo a la misma altura que la mesa de sierra atrás de la sierra para apoyar la pieza de trabajo cortada y a lo largo de la sierra, si es necesario. Dependiendo de la forma del panel, use el tope guía o galga de inglete para controlar la pieza de trabajo. Si una pieza de trabajo es demasiado grande para usar ya sea un tope guía o una galga de inglete, es demasiado larga para esta sierra.

CORTES NO PASANTES

El uso de un corte no pasante es esencial para cortar muescas, rebajos y ranuras. Los cortes no pasantes pueden realizarse usando una hoja estándar con un diámetro de 10 pulgadas. Los cortes no pasantes son el único tipo de corte que deben realizarse sin el conjunto de protección de la hoja instalado. Asegúrese de que el conjunto de la protección de la hoja se vuelva a instalar después de terminar este tipo de corte.

⚠ ADVERTENCIA:

- Al realizar cortes no pasantes, siga todas las advertencias e instrucciones aplicables enumeradas a continuación además de las mencionadas anteriormente para el corte pasante pertinente.
- Cuando realice un corte no pasante, la pieza de trabajo cubre la hoja durante la mayoría del corte. Esté alerta a la hoja expuesta al inicio y fin de cada corte.
- Nunca empuje madera con las manos cuando realice cualquier corte no pasante, tales como rebajos o ranuras. Siempre use un medidor de inglete, bloques de empuje o varillas de empuje, y tablas de cuñas donde sea adecuado.
- Lea la sección correspondiente que describe el tipo de corte además de esta sección sobre los cortes no pasantes o de ranuras. Por ejemplo, si el corte no pasante es un corte transversal recto, lea y comprenda esta sección sobre cortes transversales rectos antes de continuar.
- Una vez realizados todos los cortes no pasantes, desenchufe la sierra y regrese el separador a la posición de corte pasante. Instale los trinquetes de prevención de contragolpes y la protección de la hoja.
- Siga con atención todas las instrucciones que acompañan a cualquier hoja especializada tal como hojas para ranurar y cortadores de moldura para la instalación, preparación y funcionamiento adecuados.

TALONAJE (EN PARALELO) DE LA HOJA Y LA RANURA DEL CALIBRE DE INGLETES

- La hoja (A) debe estar en paralelo con la ranura del calibre de ingletes para que la madera no se atasque y provoque un retroceso. El no hacer esto podría causar lesiones serias.
- Para reducir el riesgo de sufrir una lesión por un retroceso, alinee el tope-guía a la hoja (A) después de cualquier ajuste a la hoja.

NO afloje ninguno de los tornillos para este ajuste hasta que haya verificado la alineación con una escuadra para asegurarse de que se requiere realizar ajustes. Una vez que haya aflojado los tornillos, las piezas deben reajustarse.

Nota: Desenchufe la sierra. Retire el protector de la hoja y los trinquetes anti retroceso. Levante la hoja (A) girando la rueda para ajustar la altura.

1. Marque al lado de uno de los dientes de la hoja en la parte delantera de la hoja (A). Coloque una escuadra de combinación a nivel del frente de la mesa de la sierra y al lado de la hoja de la sierra (A) como se muestra.
2. Gire la hoja (A) para que el diente marcado quede atrás. Mueva la escuadra de combinación hacia la parte trasera y vuelva a medir la distancia. Si las distancias son las mismas, la hoja (A) está a 90°.

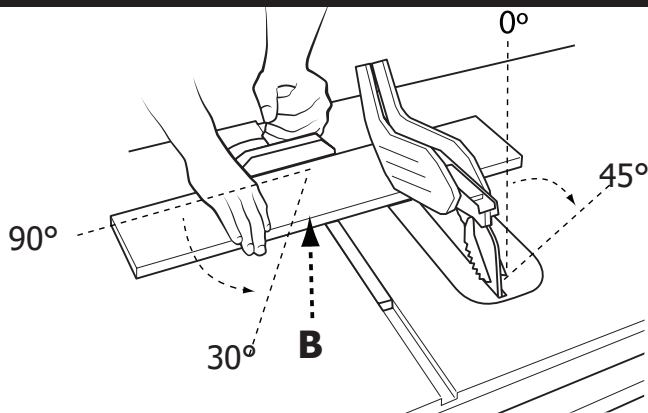
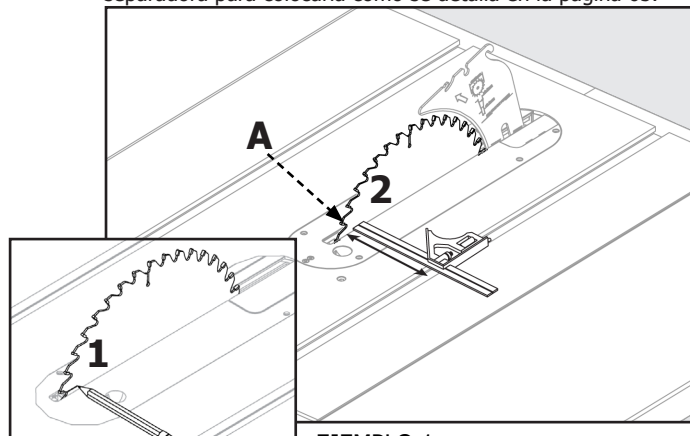


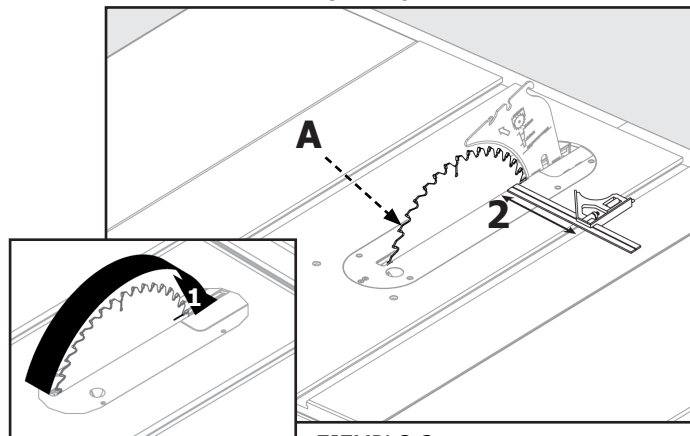
FIGURA 27

REALIZACIÓN DE UN CORTE NO PASANTE

1. Desenchufe la sierra.
2. Desbloquee el bloqueo de bisel.
3. Ajuste el ángulo de biselado en 0°.
4. Boquee el bloqueo de bisel.
5. Extraiga la protección de la hoja y los trinquetes de prevención de contragolpes.
6. Coloque el separador en la posición "hacia abajo". (Consulte la sección AJUSTE DEL SEPARADOR)
7. Ajuste la hoja a la profundidad correcta para la pieza de trabajo.
8. Dependiendo de la forma y tamaño de la madera, use el tope guía o la galga de inglete.
9. Enchufe la sierra a la fuente de alimentación y enciéndala.
10. Espere a que la hoja alcance la velocidad completa antes de mover la pieza de trabajo hacia la hoja.
11. Siempre utilice bloques de empuje, varillas de empuje y/o tablas de cuña al realizar cortes no pasantes para reducir el riesgo de lesiones graves.
12. Cuando se realice el corte, apague la sierra. Espere a que la hoja se detenga por completo antes de extraer la pieza de trabajo.
13. Cuando se complete el corte, vuelva a ajustar la cuchilla separadora para colocarla como se detalla en la página 65.



EJEMPLO 1



EJEMPLO 2

AUXILIARES Y ACCESORIOS DE CORTE

VARILLA DE EMPUJE

Para poder utilizar la sierra de mesa de forma segura, debe usar una varilla de empuje cuando el tamaño o la forma de la pieza de trabajo ocasionaría que de alguna manera sus manos estén a 6 pulgadas (152 mm) de la hoja de la sierra u otro cortador. Se incluye una varilla de empuje con esta sierra.

No es necesario ningún tipo especial de madera para fabricar varillas de empuje adicionales siempre que estas sean macizas y suficientemente largas, sin nudos, imperfecciones o grietas. Se recomienda una longitud de 16 pulgadas (400 mm) con una muesca que se ajuste contra el borde de la pieza de trabajo para evitar que se resbale. Es una buena idea tener varias varillas de empuje de la misma longitud mínima, 16 pulgadas (400mm), con muescas de diferentes tamaños para diferentes grosores de piezas de trabajo.

La forma puede variar para adaptarse a sus propias necesidades siempre que realice la función prevista de mantener sus manos alejadas de la hoja. Inclinarse a un ángulo para que la varilla de empuje pueda sostenerse a un ángulo de 20 a 30 grados de la mesa de la sierra le ayudará a sostener la pieza de trabajo al tiempo que pasa por la sierra.

Para fabricar una varilla de empuje, utilice el diagrama que se muestra en la (FIGURA 28).

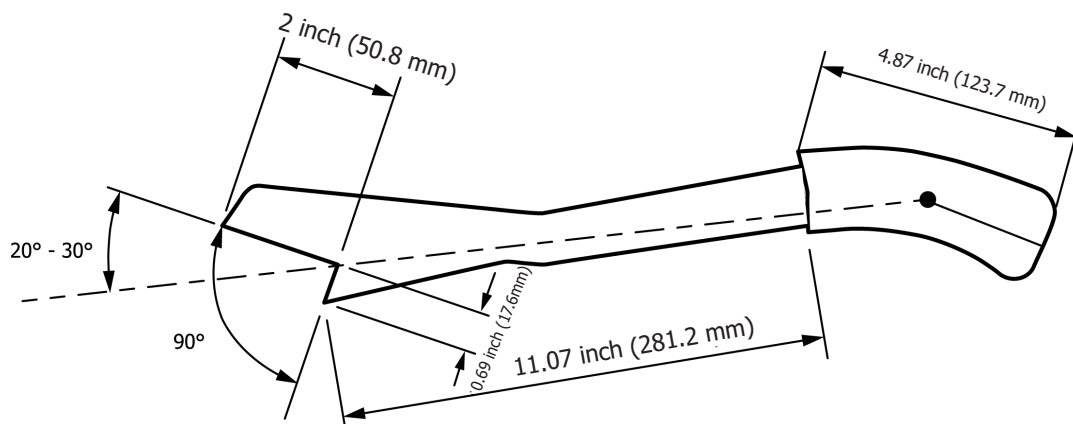


FIGURA 28

REFRENTADO DE LA GALGA DE INGLETE AUXILIAR

Un refrentado de la galga de inglete auxiliar se utiliza para aumentar el área de superficie de la parte frontal de la galga de inglete.

El uso del calibrador de ingletes con revestimiento auxiliar es el mismo que el del calibrador de ingletes original (sin revestimiento auxiliar). Vea la página 76 para el uso del calibrador de ingletes.

Si lo desea, puede ajustar la galga de inglete con un refrentado de madera auxiliar que debe medir al menos 1 pulgada (25 mm) más de altura que la máxima profundidad del corte y al menos del mismo ancho que la galga de inglete.

Este refrentado de madera auxiliar puede sujetarse a la parte frontal de la galga de inglete usando (2) tornillos de cabeza plana M6 o 1/4-20 o tuercas, colocando las tuercas en las ranuras proporcionadas en la parte frontal del cuerpo de la galga de inglete (FIGURA 29).

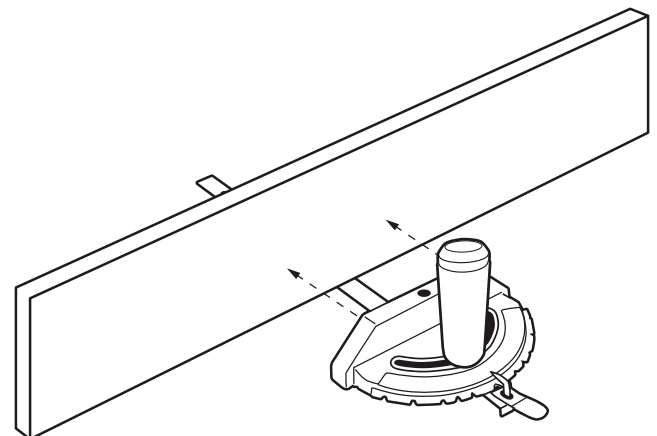


FIGURA 29

⚠ ADVERTENCIA: Asegúrese de que los tornillos sean suficientemente largos para asegurar el refrentado.

La cabeza plana debe empotrarse en la parte frontal de la placa.

AUXILIARES Y ACCESORIOS DE CORTE

BLOQUE DE EMPUJE

Los bloques de empujar son bloques que se utilizan para mantener sujeta en forma segura la pieza de trabajo contra la mesa. Incluyen algún tipo de superficie de agarre o mango para sostener el bloque. Cualquier tornillo que pase por debajo del bloque para amarrar el mango debe rebajarse a fin de evitar que tenga contacto con la pieza de trabajo.

1. Seleccione un trozo de madera de aproximadamente 4 pulgadas de ancho, 6 pulgadas de largo y 1 a 2 pulgadas de grosor (un recorte de una tabla de 2 por 4 sirve como una buena base para un bloque de empuje).
2. Perfore un orificio en el bloque y pegue una espiga para usarla como agarradera (puede hacer el orificio en ángulo para que la sujeción de la agarradera sea más cómoda).
3. Pegue un trozo de material áspero o liso tal como una lija o caucho a la parte inferior del bloque para sujetar la pieza de trabajo (las almohadillas para mouse de computadora son adecuadas para esto). (FIGURA 30)

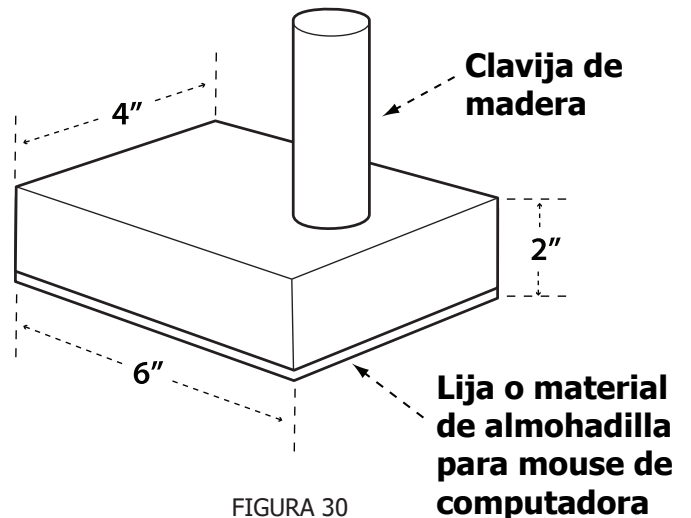


FIGURA 30

TABLAS DE CUÑA

Las tablas de cuña se usan para mantener el trabajo en contacto con la guía y la mesa (Figura 31) y ayudan a evitar los contragolpes. Las tablas de cuña son especialmente útiles al cortar al hilo piezas de trabajo pequeñas y para completar los cortes no pasantes. El extremo está angulado con una serie de ranuras angostas que para ofrecer una sujeción de fricción en la pieza de trabajo, se engancha en la mesa o guía con una abrazadera en C. Sujetar una tabla de plumas en la parte delantera de la cuchilla puede aumentar la seguridad durante los cortes que no atraviesan, como el ranurado y el rizado, y los cortes.

⚠ ADVERTENCIA: PARA EVITAR ATASCOS ENTRE LA PIEZA DE TRABAJO Y LA HOJA, ASEGÚRESE DE QUE LA TABLA DE CUÑA HORIZONTAL PRESIONE ÚNICAMENTE LA PARTE SIN CORTAR DE LA PIEZA DE TRABAJO EN LA PARTE FRONTAL DE LA HOJA.

Las dimensiones para fabricar una tabla de cuña típica se muestran en la (FIGURA 31). Fabrique una tabla de cuña con un trozo de madera recto que no tenga nudos

ni grietas. Sujete las tablas de cuña a la guía o a la mesa de modo que la tabla de cuña sujete la pieza de trabajo contra la guía o mesa.

1. Seleccione un trozo sólido de madera de aproximadamente $\frac{3}{4}$ de pulgada de grosor, $2 \frac{1}{2}$ pulgada de ancho y 12 pulgadas de largo.
2. Marque el ancho central en un extremo del material. Incline el ancho a 70° (consulte la sección de corte de inglete para información sobre los cortes de inglete).
3. Coloque el tope guía de modo que permita el corte de un "dedo" de aproximadamente $\frac{1}{4}$ de pulgada en el material.
4. Empuje el material únicamente a la marca realizada anteriormente a 6 pulgadas.
5. Apague la sierra y espere a que la hoja se detenga por completo antes de retirar el material.
6. Vuelva a colocar el tope guía y realice los cortes espaciados en la pieza de trabajo para formar dedos de aproximadamente $\frac{1}{4}$ de pulgada y espacios de $\frac{1}{8}$ de pulgada entre ellos.

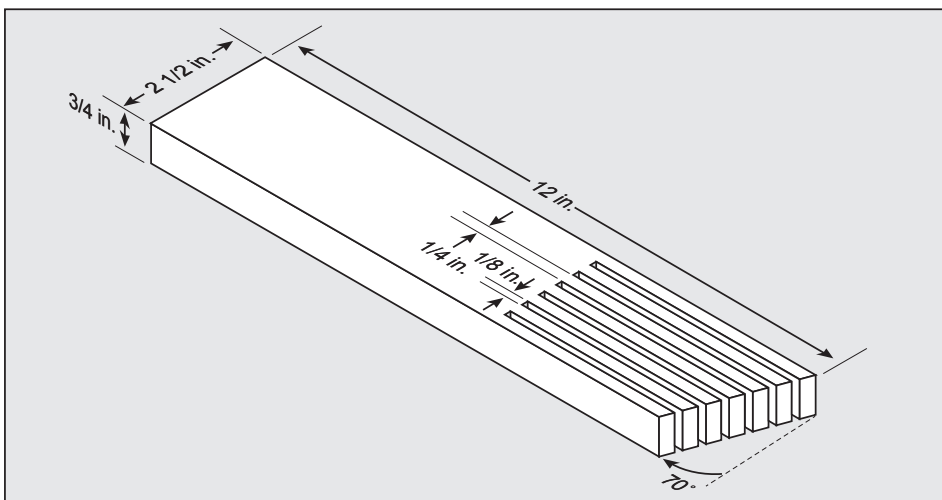


FIGURA 31A

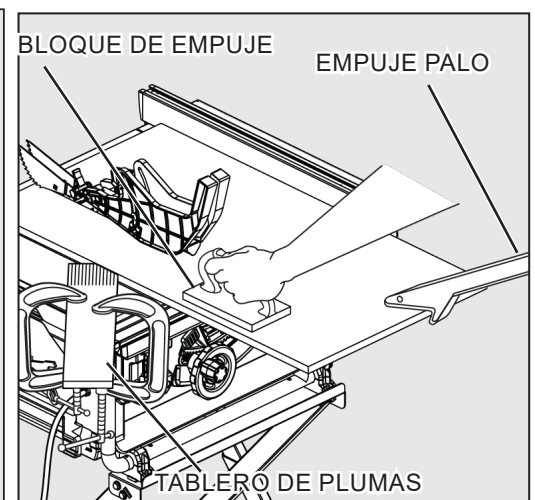


FIGURA 31B

AUXILIARES Y ACCESORIOS DE CORTE

CALIBRE DE CORTE

Al realizar cortes transversales en varias piezas a la misma longitud, puede sujetar un bloque de madera (A) (FIGURA 32) a la guía y usarlo como un calibre de corte. El bloque (A) debe medir al menos $\frac{3}{4}$ de pulgada (19 mm) de grosor para evitar que la pieza que está cortando se atasque entre la hoja y la guía. Después de determinar la longitud del corte, enganche la guía y utilice el medidor de inglete para empujar la pieza de trabajo hacia la hoja.

⚠ PRECAUCIÓN: Siempre posicione el calibre de corte en la parte frontal de la hoja de sierra.

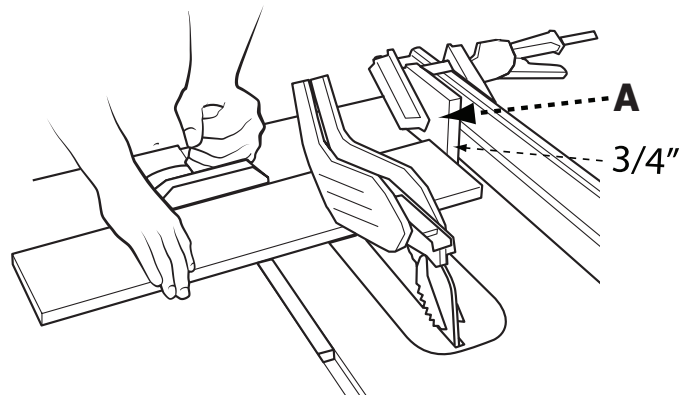


FIGURA 32

PLANTILLAS

Pueden crearse plantillas con una variedad de ajustes especiales para controlar formas particulares de piezas de trabajo para cortes especiales. Las instrucciones sobre cómo hacer plantillas especializadas pueden encontrarse en sitios web y publicaciones de ebanistería y carpintería.

⚠ PRECAUCIÓN: NO INTENTE CREAR NI USAR UNA PLANTILLA A MENOS QUE ESTÉ COMPLETAMENTE FAMILIARIZADO CON LA SEGURIDAD DE LA SIERRA DE MESA. NO USE NINGUNA PLANTILLA QUE PODRÍA PRESIONAR UN CORTE O ATASCAR LA PIEZA DE TRABAJO ENTRE LA PLANTILLA Y LA HOJA. LOS AJUSTES INCORRECTOS PUEDEN PROVOCAR CONTRAGOLPES QUE PODRÍAN PROVOCAR LESIONES GRAVES.

CÓMO REALIZAR AJUSTES

NIVELADO DE LA PLACA DE GARGANTA

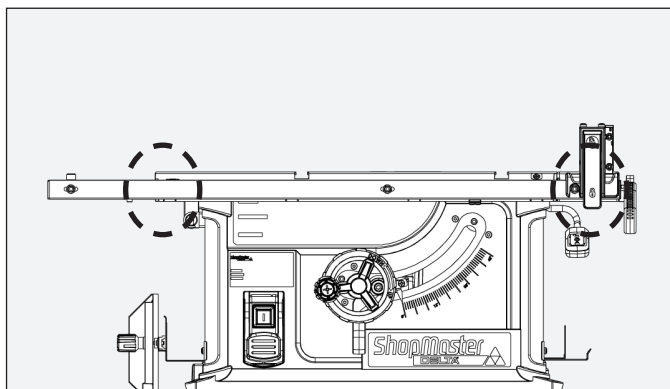
Compruebe que la placa de garganta esté ajustada de forma correcta en la mesa. La parte frontal de la placa de garganta debe estar nivelada o ligeramente por debajo de la superficie de la mesa y la parte posterior de la placa de garganta debe estar nivelada o ligeramente por encima de la superficie de la mesa (FIGURA 13).

Existen cuatro tornillos de fijación Phillips colocados previamente en la mesa que se utilizan para nivelar la placa de garganta (FIGURA 14).

Si la placa de garganta no queda al ras de la superficie de la mesa, ajuste estos tornillos para garantizar que toda la placa de garganta quede al ras de la mesa (FIGURA 14).

MOVIENDO LA SIERRA

Para mover la sierra, sujete firmemente el lado izquierdo y derecho de la mesa. Levante la sierra y muévase a la ubicación deseada. Ver ejemplo.



Ejemplo

CAMBIO DEL BISEL

1. Desbloquee la palanca de bloqueo de bisel tirándola hacia la posición hacia arriba (horizontal).
2. Sujetando la rueda de ajuste de altura, deslice el indicador de bisel hacia el ángulo deseado.
3. Cuando la hoja se encuentra en el ángulo deseado, bloquee la palanca de bloqueo de bisel empujándola hacia abajo (vertical).

NOTA: Para conocer las posiciones de bloqueo y desbloqueo, consulte la FIGURA 34.

CÓMO REALIZAR AJUSTES

AJUSTES DE LOS TOPES DE BISEL

Es posible que se requiera el ajuste de los topes de bisel si la hoja no está verticalmente en ángulo recto con la mesa cuando se establece el ajuste de bisel en 0° o no se establece en 45° cuando el biselado se inclina a 45° , máximo 45° .

Se pueden realizar ajustes de corrección ajustando las levas de tope de bisel en cada extremo del carril del bisel, tal como se muestra a continuación.

Si la hoja no está verticalmente en ángulo recto con la mesa, debe ajustar la leva de tope de bisel de 0° , tal como se muestra en la FIGURA 33.

1. Desbloquee la palanca de bloqueo de bisel y coloque el conjunto del bloqueo de bisel/rueda de ajuste de altura hacia la derecha para obtener acceso a la leva de tope de bisel de 0° .
2. Afloje el tornillo de sombrerete que bloquea la leva de tope de bisel de 0° en su lugar (centro de la leva). Tal como se muestra en la FIGURA 33.
3. Mueva el conjunto del bloqueo de bisel/rueda de ajuste de altura hacia la leva de tope de bisel de 0° asegurándose de que el conjunto del bloqueo de bisel/rueda de ajuste de altura esté en contacto con la leva de tope de bisel de 0° . Compruebe la perpendicularidad de la hoja con la mesa con la escuadra combinada y gire la leva de tope de bisel según sea necesario hasta que la hoja esté correctamente perpendicular con la mesa.
4. Apriete el tornillo de sombrerete que bloquea a la leva de tope de bisel en su lugar. Vuelva a comprobar que la hoja esté perpendicular a la hoja. Vuelva a ajustar en caso de que sea necesario.
5. Si la hoja no queda colocada a 45° de la mesa cuando se inclina hacia la leva de tope de bisel de 45° , siga los pasos 1 a 4 ajustando la leva de tope de bisel de 45° utilizando el lado de 45° de la escuadra combinada (FIGURA 34).

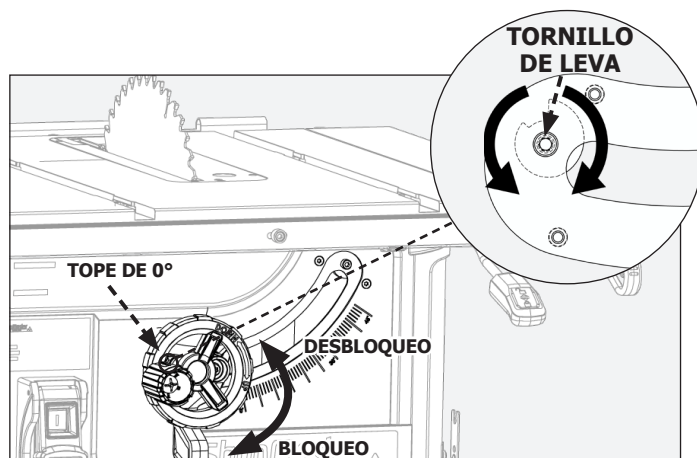


FIGURA 33

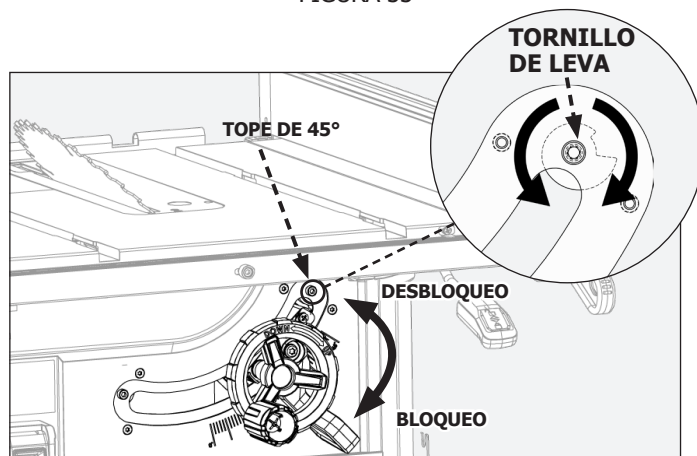


FIGURA 34

AJUSTE DE LA ALTURA DE LA HOJA

Para todos los cortes no pasantes, la parte superior de los puntos de la hoja deben estar por encima de la pieza de trabajo y la parte inferior de las gargantas de la hoja deben estar por debajo de la superficie superior de la pieza de trabajo.

Para todos los cortes no pasantes, la parte superior de los puntos de la hoja deben estar ajustados en la profundidad del corte.

Para ajustar la altura de la hoja, consulte la FIGURE 35 y realice lo siguiente:

Asegúrese de que la palanca de bloqueo de bisel se encuentre en la posición bloqueada (hacia abajo).

Ajuste la altura de la hoja girando la rueda de ajuste de altura. Hacia la derecha se levantará la hoja y hacia la izquierda se la bajará.

USO DE LA GALGA DE INGLETE

Existen dos ranuras de medidor de inglete, una en cada lado de la hoja, máximo 30° . Cuando realice un corte transversal de 90° , utilice cualquiera de las ranuras. Para un corte transversal biselado, utilice la ranura de la derecha de forma tal que la hoja quede inclinada alejada del medidor de inglete (G) y las manos (FIGURA 36).

Para ajustar el ángulo de inglete, afloje la perilla de bloqueo del medidor de inglete. Gire el medidor hasta que se alcance el ángulo deseado en la escala. Apriete la perilla.

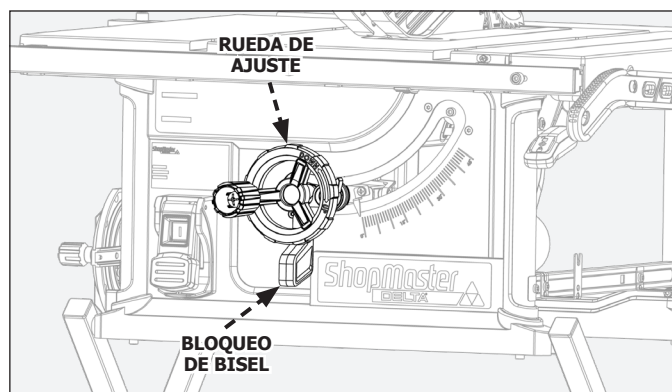


FIGURA 35

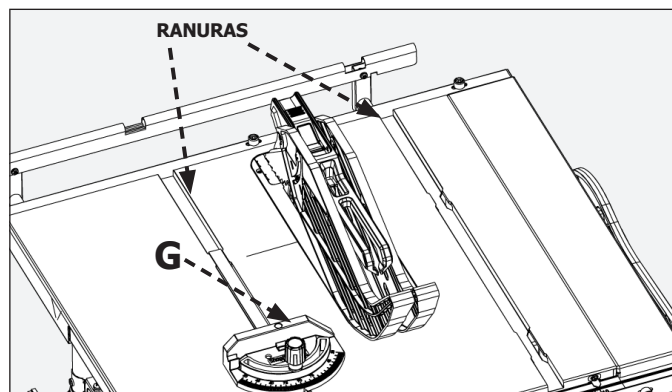


FIGURA 36

AJUSTE DEL SEPARADOR

AJUSTE Y ALINEACIÓN DE LA ALTURA DEL SEPARADOR

Para cambiar la posición del separador, extraiga la placa de garganta y, a continuación, levante el conjunto de la hoja a la posición más alta girando la rueda de ajuste de altura hacia la derecha en la parte frontal de la sierra.

Para ajustar el separador de una posición a otra (corte pasante/corte no pasante), levante la palanca de bloqueo del separador hacia la posición hacia arriba para desbloquear el separador (FIGURA 37). A continuación, mueva suavemente el separador hacia la derecha para desenganchar de las clavijas de bloqueo del conjunto de bloqueo del separador. Luego, deslice hacia arriba y adelante para un corte pasante y hacia abajo y atrás para un corte no pasante hasta que sienta que las clavijas de bloqueo quedan enganchadas en el separador (FIGURA 36). El separador está marcado con una posición de corte pasante y corte no pasante que se alinea con la superficie de la mesa cuando se encuentra en la posición correcta. Empuje la palanca de bloqueo del separador hacia abajo para bloquear el separador en su posición, tal como se muestra en la FIGURA 36a. El conjunto del separador deberá estar como se indica en la FIGURA 36b.

Una vez que el separador está ajustado de forma correcta, vuelva a insertar la placa de garganta (FIGURA 13).

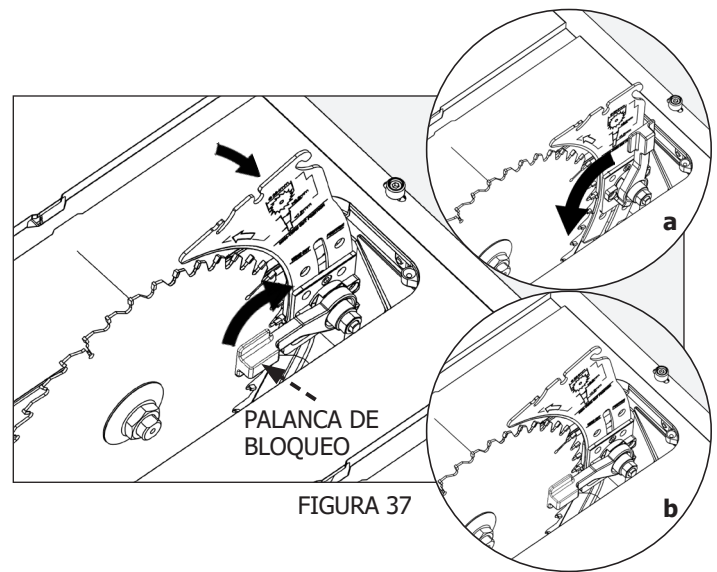


FIGURA 37

⚠ ADVERTENCIA:

- Verifique que el separador se encuentre seguro y alineado con la hoja.

⚠ ADVERTENCIA:

- Asegúrese de volver a instalar el conjunto de la protección de la hoja y los trinquetes de prevención de contragolpes cuando el separador se encuentra en la posición de corte pasante.

ALINEACIÓN DEL SEPARADOR

El separador podría estar desalineado si la pieza de trabajo está golpeando el separador después del corte o está provocando algún atasco durante el corte. Cuando ocurre esta situación, se deberá realizar un ajuste de la alineación del separador. Los siguientes procedimientos de esta sección lo ayudarán a realizar ajustes en la alineación del separador.

Apunte a la ubicación para la POSICIÓN PASANTE como se muestra en la FIGURA 37. (El cliente deberá ajustar el separador en esta posición cuando realice los cortes "PASANTES").

NOTA: Debe colocar el separador en esta posición antes de realizar algún ajuste de alineación del separador de la hoja.

Si se requiere un ajuste en paralelo, utilice la FIGURA 38 y 39 para realizar los siguientes ajustes:

1. Afloje los 2 tornillos de cabeza hexagonal (AA).
2. Apriete o afloje el tornillo de ajuste (BB1) para ajustar la línea de datum si el separador debe alinearse con la hoja.
3. Ajuste el tornillo de fijación (BB2) y (BB3) para lograr que la alineación del separador esté paralela a la hoja.
4. Apriete los tornillos de cabeza hexagonal (AA).

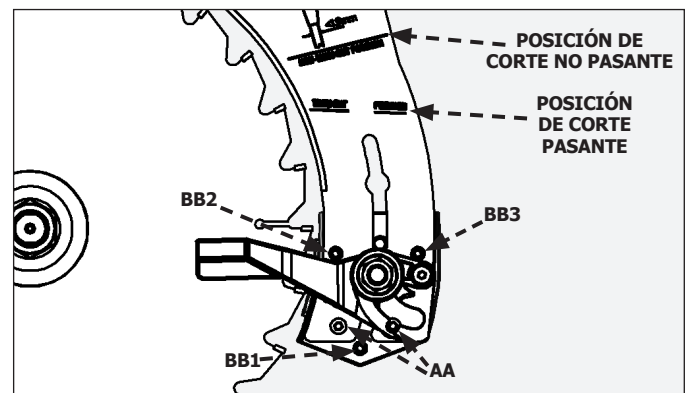


FIGURA 38



FIGURA 39

ALINEACIÓN DEL SEPARADOR

Si el separador posee una desalineación vertical, ajuste tal como se describe a continuación en las FIGURA 38 y 40:

1. Afloje los 2 tornillos de cabeza hexagonal (AA).
2. Realice ajustes a (BB2) y (BB3) para alinear el separador con la hoja. No se requiere ningún ajuste para (BB1).
3. Apriete los tornillos (AA).

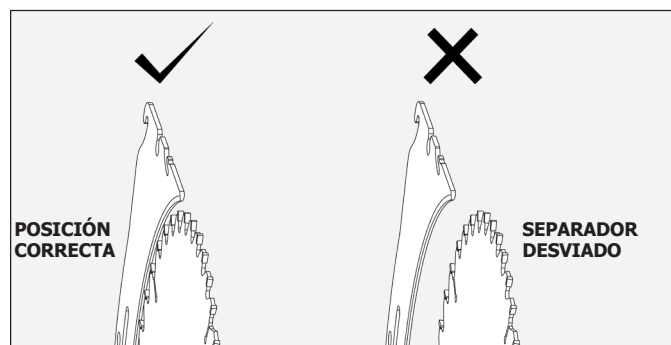


FIGURA 40

Si el separador posee una desalineación horizontal, ajuste tal como se describe a continuación en las FIGURE 38 y 41:

1. Afloje los 2 tornillos de cabeza hexagonal (AA).
2. Ajuste el tornillo (BB2) para alinear el separador con la hoja. Si continúa la desalineación, ajuste (BB3) hasta que se logre la alineación correcta. No ajuste (BB1).
3. Apriete los tornillos (AA).

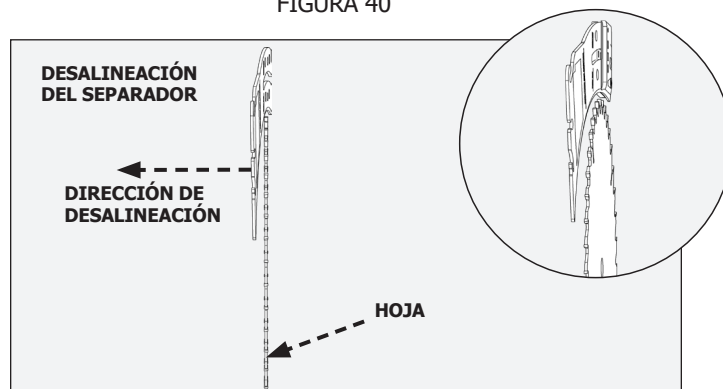


FIGURA 41

MANTENIMIENTO

⚠ ADVERTENCIA: Para reducir el riesgo de lesiones, apague la unidad y desconéctela de la fuente de alimentación, antes de limpiar o realizar el mantenimiento, instalar y extraer accesorios, antes de ajustar y al realizar reparaciones. Un arranque accidental puede provocar una lesión.

MANTENGA LIMPIA LA HERRAMIENTA

Sopletee periódicamente todos los conductos de aire con aire comprimido seco. Todas las partes de plástico deben limpiarse con un paño húmedo y suave. Para obtener el mejor rendimiento, use una aspiradora o soplador para mantener el área de la hoja de sierra, el sistema de recolección de polvo, el sistema de protección y los rieles libres de polvo de sierra y otros desechos. **NUNCA** utilice solventes para limpiar las partes de plástico. Pueden disolver o dañar de alguna manera el material.

⚠ ADVERTENCIA: Use equipo de seguridad certificado para protección ocular, auditiva y respiratoria al usar aire comprimido.

RECORDATORIOS DE MANTENIMIENTO

Use equipo de seguridad certificado para protección ocular, auditiva y respiratoria al usar aire comprimido. Se recomiendan guantes al cambiar las cuchillas. Las áreas específicas que requieren un mantenimiento frecuente incluyen:

PLACA DE SUJECCIÓN DEL SEPARADOR: Mantenga esta área libre de polvo y acumulación de basura. Limpie el área frecuentemente con aire comprimido.

NOTA: Si la abrazadera del separador no se mueve libremente, solicite el servicio técnico de la sierra al personal de un centro de servicio técnico autorizado.

ENGRANAJES SINFIN: Mantenga los engranajes sinfin libres de polvo y acumulación de basura. Limpie el área frecuentemente con aire comprimido. Utilice una grasa multipropósito a base de litio según sea necesario en estos engranajes.

LIMPIE PERIÓDICAMENTE LA ACUMULACIÓN DE ASERRÍN EN EL GABINETE: **NOTA:** Los residuos también pueden limpiarse de la sierra desde abajo de la placa de garganta, dentro del puerto de polvo.

RESOLUCIÓN DE PROBLEMAS

Para solicitar ayuda con su máquina, visite nuestro sitio web en www.deltamachineryparts.com para acceder a una lista de centros de servicio técnico o comuníquese con Delta Power Equipment Corporation al 1-800-223-7278.

LA SIERRA NO ARRANCA

Si su máquina no arranca, verifique que las clavijas del enchufe tengan un buen contacto con el tomacorriente. Asimismo, verifique que no haya fusibles fundidos o un disyuntor abierto en su línea de fuente de alimentación. Si la sierra sigue sin arrancar, comuníquese con el Centro de atención al cliente de la empresa al 1-800-223-7278.

ACCESORIOS

Para obtener información sobre los accesorios, visite nuestro sitio web (www.shopmastermachinery.com) para acceder a un catálogo en línea o para encontrar el nombre de su distribuidor más cercano.

⚠ ADVERTENCIA: Puesto que los accesorios distintos a los ofrecidos por DELTA® aún no han sido probados con este producto, el uso de dichos accesorios podría ser peligroso. Para lograr el funcionamiento más seguro, solo deben utilizarse con este producto accesorios recomendados por DELTA® /SHOPMASTER.

ASISTENCIA PARA PIEZAS, SERVICIO O GARANTÍA

Todas las máquinas y accesorios SHOPMASTER están fabricados con los estándares de calidad más altos y su servicio técnico es realizado a través de una red de centros de servicio técnico autorizados de DELTA®. Para obtener información adicional relacionada con el producto o para obtener piezas, solicitar el servicio técnico o asistencia en garantía, o conocer la ubicación del centro de servicio técnico más cercano, comuníquese al 1-800-223-7278.

Garantía limitada de 3 años

1. COBERTURA. Delta Power Equipment Corporation (en adelante, "la Empresa"), reparará o reemplazará, a su sola opción, este producto, si se adquirió en un comercio minorista de los Estados Unidos y Canadá y se demostró que el producto, con su uso normal, tiene defectos en los materiales o mano de obra, sujeto a las condiciones establecidas en esta garantía limitada. Esta garantía limitada cubre únicamente materiales y mano de obra. Todos los costos de transporte quedan a cargo del cliente.

2. PERÍODO DE GARANTÍA. Todos los reclamos en garantía deberán enviarse en el plazo de 5 años a partir de la fecha de la compra en el comercio minorista. En el caso de piezas de reemplazo y productos reacondicionados de fábrica, el período de garantía será de 180 días.

3. CÓMO OBTENER EL SERVICIO TÉCNICO EN GARANTÍA. A fin de obtener el servicio técnico en garantía, deberá devolver el producto defectuoso, a cuenta propia, a un centro de servicio técnico autorizado por la Empresa para la ejecución del servicio técnico en garantía (un "Centro de servicio técnico autorizado por la empresa") dentro del período de garantía aplicable, junto con un comprobante de compra válido, como el recibo original que incluya la fecha de compra o un número de registro del producto. La Empresa se reserva el derecho de restringir el servicio técnico en garantía al país donde se realizó la compra y/o cobrar por el costo de exportar las piezas de reemplazo u ofrecer el servicio técnico en garantía en otro país. Para este propósito, las compras en línea se consideran como realizadas en los Estados Unidos. Para conocer la ubicación del Centro de servicio técnico autorizado por la empresa más cercano, comuníquese con el Centro de atención al cliente de la empresa al 1-800-223-7278.

4. EXCLUSIONES.

- La Empresa no ofrece ninguna garantía a productos adquiridos en condición de usados o dañados.
- La Empresa no concede ninguna garantía a productos adquiridos fuera de los Estados Unidos o Canadá.
- La Empresa no será responsable de ningún daño que surja a partir del desgaste normal, uso indebido, uso incorrecto o cualquier reparación o modificación realizada por personas que no pertenezcan al Centro de servicio técnico autorizado de la Empresa o no sean un representante designado del Centro de atención al cliente de la Empresa.

Todas las **GARANTÍAS IMPLÍCITAS** están limitadas al período de garantía establecido anteriormente.

La Empresa no será responsable de daños **ACCIDENTALES O CONSECUENTES**.

Esta garantía es la única garantía de la Empresa y se establece como la reparación exclusiva del cliente, con respecto a productos defectuosos; la Empresa desconoce todas las otras garantías, expresas o implícitas, sean de comerciabilidad, adecuación para un propósito, excepto que se detalle explícitamente en esta declaración de garantía.

Algunos estados no permiten la exclusión o limitación de los daños accidentales o consecuentes, ni la limitación de las garantías implícitas, por lo tanto, las limitaciones o exclusiones anteriores podrían no aplicarse a su caso. Esta garantía le concede derechos legales específicos y es posible que posea otros derechos, que varían en determinados estados o provincias. Para obtener información detallada sobre la cobertura de la garantía e información sobre la reparación en garantía, comuníquese al 1-800-223-7278. Para registrar sus productos en línea, le recomendamos que visite nuestro sitio web y se registre para obtener una cuenta de miembro de DELTA® gratuita en <http://www.deltamachinery.com/register>.

LATINOAMÉRICA: Esta garantía no se aplica a productos comercializados en Latinoamérica. Para productos vendidos en América Latina, llame a la empresa local o visite el sitio web para obtener información sobre la garantía.

PIEZAS DE REEMPLAZO

Esta herramienta eléctrica se suministra con un cable de suministro de energía de tipo Y. Si es necesario reemplazar el CORDÓN DE SUMINISTRO, esto debe hacerlo el fabricante o su agente para evitar riesgos de seguridad. Utilice solamente piezas de reemplazo idénticas. Para obtener una lista de las piezas o solicitar piezas, visite nuestro sitio web en www.deltamachineryparts.com. También puede solicitar las piezas a través del Centro de servicio técnico en garantía autorizado más cercano o comunicándose con el gerente de servicio técnico al 1-800-223-7278 para recibir asistencia personalizada de uno de nuestros representantes altamente capacitados.

REEMPLAZO GRATIS DE LA ETIQUETA DE ADVERTENCIA

Si sus etiquetas de advertencia se tornan ilegibles o faltasen, comuníquese al 1-800-223-7278 para obtener etiquetas gratis de reemplazo.

MANTENIMIENTO Y REPARACIONES

Todas las herramientas de alta calidad requerirán eventualmente el mantenimiento y/o reemplazo de las piezas. Para obtener información sobre Delta Power Equipment Corporation, sus filiales con fábricas propias o para encontrar un Centro de servicio técnico en garantía autorizado, visite nuestro sitio web www.deltamachineryparts.com o comuníquese con nuestro Centro de atención al cliente al 1-800-223-7278. Todas las reparaciones realizadas por nuestros centros de servicio técnico están totalmente garantizadas frente a defectos en los materiales y mano de obra. No podemos ofrecer una garantía para las reparaciones realizadas o intentadas realizar por otras personas. Al comunicarse con este número, también puede encontrar respuestas a las preguntas más frecuentes las 24 horas del día. También puede escribirnos para obtener más información a la siguiente dirección: Delta Power Equipment Corporation, 2651 New Cut Road, Spartanburg, SC 29303 -

A LA ATENCIÓN DE: Gerente de servicio técnico. Asegúrese de incluir toda la información que aparece en la placa de identificación de la sierra (modelo, tipo, número de sierra, código de fecha, etc.).



2651 New Cut Road
Spartanburg, SC 29303
(800) 223-7278
www.shopmastermachinery.com
Copyright © 2023 Delta Power Equipment Corporation
DPEC005525
Revision Date: 03/20/2023
REV 8

