

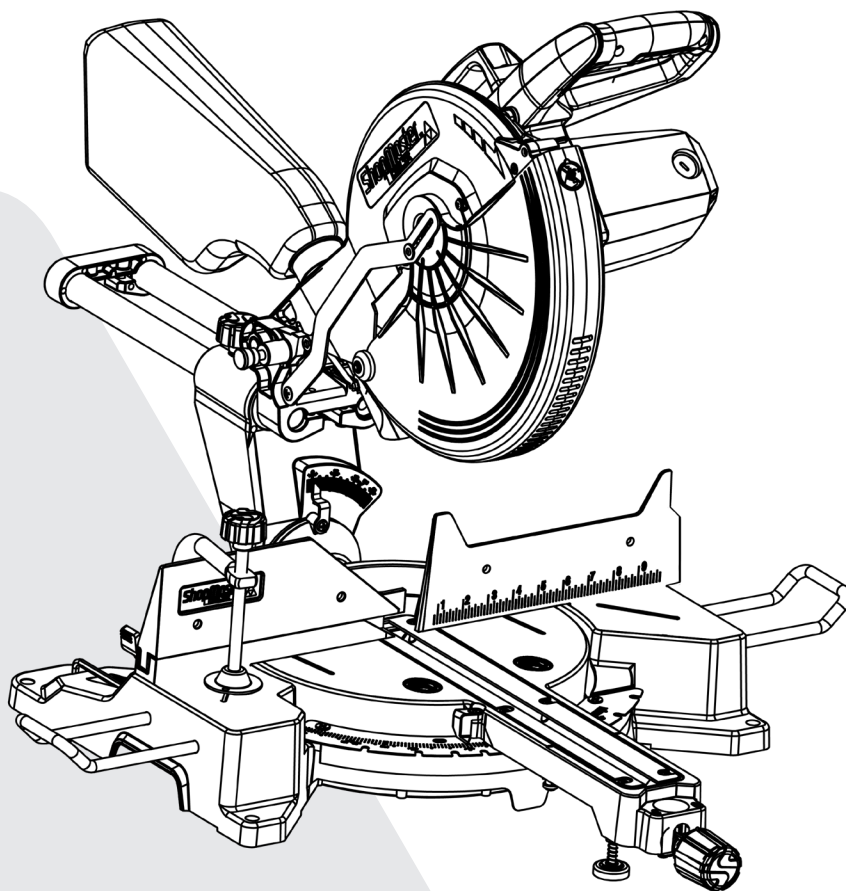
# ShopMaster

DELTA®

## 12-INCH SLIDING COMPOUND MITER SAW

Scie a onglet Combine  
304.8 mm

Sierra ingletadora  
compuesta de 12  
pulgadas



Français (23)

Español (46)

[www.DeltaMachinery.com](http://www.DeltaMachinery.com)

Instruction Manual  
Manual d'utilisation  
Manual de instrucciones

**S26-272L**

**▲ WARNING:** To reduce the risk of serious injury, thoroughly read and comply with all warnings and instructions in this manual and on product.  
KEEP THIS MANUAL NEAR YOUR PRODUCT FOR EASY REFERENCE AND TO INSTRUCT OTHERS



# TABLE OF CONTENTS

<b>IMPORTANT SAFETY INSTRUCTIONS</b> .....	2	COMPOUND MITER CUTS.....	15
<b>GENERAL POWER TOOL SAFETY WARNINGS</b> .....	3	TIPS FOR CUTTING CROWN MOLDING.....	15
<b>SAFETY INSTRUCTIONS FOR MITRE SAWS</b> .....	4	CUTTING WARPED MATERIAL .....	16
<b>PROPOSITION 65 WARNING</b> .....	5	CLAMPING WIDE WORKPIECES.....	17
<b>POWER CONNECTIONS</b> .....	5	SUPPORTING LONG WORKPIECES .....	17
<b>FEATURES</b> .....	6	<b>ADJUSTMENTS</b> .....	<b>17</b>
<b>UNPACKING</b> .....	8	ARM PIVOT.....	17
<b>MOUNTING AND TRANSPORTATION</b> .....	9	POSITIVE STOP SCREW .....	18
PREPARATIONS FOR TRANSPORTATION .....	9	BEVEL PIVOT .....	18
SAW ARM LOCK PIN.....	9	LASER GUIDE .....	18
BASE AND CARRY HANDLES.....	9	DEPTH STOP ADJUSTMENT .....	19
MOUNTING THE SAW TO A STABLE SURFACE.....	9	FENCE EXTENSION ADJUSTMENT.....	19
<b>ASSEMBLY</b> .....	<b>10</b>	LASER ADJUSTMENT .....	19
SUPPORT EXTENSIONS .....	10	LASER PARALLEL ADJUSTMENT.....	20
ATTACH WORK CLAMP.....	10	LASER VERTICAL ANGLE ADJUSTMENT .....	20
INSTALL DUST COLLECTION BAG.....	10	LASER OFFSET ADJUSTMENT.....	20
<b>PREPARING YOUR SAW FOR USE</b> .....	<b>11</b>	<b>MAINTENANCE</b> .....	<b>21</b>
INSTALL/REPLACE THE BLADE .....	11	BRUSH REPLACEMENT.....	21
ALIGN THE BLADE TO THE TABLE.....	12	<b>TROUBLE SHOOTING</b> .....	<b>21</b>
USING THE LASER GUIDE.....	13	<b>ACCESSORIES</b> .....	<b>22</b>
<b>OPERATION</b> .....	<b>14</b>	<b>PARTS, SERVICES OR WARRANTY ASSISTANCE</b> .....	<b>22</b>
POWER SWITCH LOCK-OUT.....	14	<b>FRENCH</b> .....	<b>23</b>
POWER SAFETY TOGGLE .....	14	<b>SPANISH</b> .....	<b>46</b>
SLIDE CUTS.....	15		
BEVEL CUTS.....	15		

## IMPORTANT SAFETY INSTRUCTIONS

**⚠ WARNING:** CAREFULLY READ AND FOLLOW ALL WARNINGS AND INSTRUCTIONS ON YOUR PRODUCT AND IN THIS MANUAL. SAVE THIS MANUAL. MAKE SURE ALL USERS ARE FAMILIAR WITH ITS WARNINGS AND INSTRUCTIONS WHEN USING THE TOOL. Improper operation, maintenance or modification of tools or equipment could result in serious injury and/or property damage.



## SAFETY LOGOS

This manual contains information that is important for you to know and understand. This information relates to protecting YOUR SAFETY and PREVENTING EQUIPMENT PROBLEMS. To help you recognize this information, we use the symbols below. Please read the manual and pay attention to these sections.

**⚠ DANGER:** Indicates an imminently hazardous situation which, if not avoided, will result in death or serious injury.

**⚠ WARNING:** Indicates a potentially hazardous situation which, if not avoided, could result in death or serious injury.

**⚠ CAUTION:** Indicates a potentially hazardous situation which, if not avoided, may result in minor or moderate injury.

**CAUTION:** Used without the safety alert symbol indicates potentially hazardous situation which, if not avoided, may result in property damage.



Do not expose power tools to rain or wet conditions.

# SAFETY LOGOS

Additional information regarding the safe and proper operation of this tool is available from the following sources:

- Power Tool Institute, 1300 Sumner Avenue, Cleveland, OH 44115-2851 or on-line at [www.powertoolinstitute.com](http://www.powertoolinstitute.com)
- National Safety Council, 1121 Spring Lake Drive, Itasca, IL 60143-3201
- American National Standards Institute, 25 West 43rd Street, 4 floor, New York, NY 10036 [www.ansi.org](http://www.ansi.org) - ANSI O1.1 Safety Requirements for Woodworking Machines
- U.S. Department of Labor regulations [www.osha.gov](http://www.osha.gov)

## GENERAL POWER TOOL SAFETY WARNINGS

**⚠ WARNING** Read all safety warnings, instructions, illustrations and specifications provided with this power tool. Failure to follow all instructions listed below may result in electric shock, fire and/or serious injury.

Save all warnings and instructions for future reference.

The term “power tool” in the warnings refers to your mains-operated (corded) power tool or BATTERY-operated (cordless) power tool.

### 1) Work area safety

- Keep work area clean and well lit.** Cluttered or dark areas invite accidents.
- Do not operate power tools in explosive atmospheres, such as in the presence of flammable liquids, gases or dust.** Power tools create sparks which may ignite the dust or fumes.
- Keep children and bystanders away while operating a power tool.** Distractions can cause you to lose control.

### 2) Electrical safety

- Power tool plugs must match the outlet. Never modify the plug in any way. Do not use any adapter plugs with earthed (grounded) power tools.** Unmodified plugs and matching outlets will reduce risk of electric shock.
- Avoid body contact with earthed or grounded surfaces, such as pipes, radiators, ranges and refrigerators.** There is an increased risk of electric shock if your body is earthed or grounded.
- Do not expose power tools to rain or wet conditions.** Water entering a power tool will increase the risk of electric shock.
- Do not abuse the cord. Never use the cord for carrying, pulling or unplugging the power tool. Keep cord away from heat, oil, sharp edges or moving parts.** Damaged or entangled cords increase the risk of electric shock.
- When operating a power tool outdoors, use an extension cord suitable for outdoor use.** Use of a cord suitable for outdoor use reduces the risk of electric shock.
- If operating a power tool in a damp location is unavoidable, use a RESIDUAL CURRENT DEVICE (RCD) protected supply.** Use of an RCD reduces the risk of electric shock.

### 3) Personal safety

- Stay alert, watch what you are doing and use common sense when operating a power tool. Do not use a power tool while you are tired or under the influence of drugs, alcohol or medication.** A moment of inattention while operating power tools may result in serious personal injury.
- Use personal protective equipment. Always wear eye protection.** Protective equipment such as dust mask, non-skid safety shoes, hard hat, or hearing protection used for appropriate conditions will reduce personal injuries.
- Prevent unintentional starting. Ensure the switch is in the off-position before connecting to power source and/or BATTERY pack, picking up or carrying the tool.** Carrying power tools with your finger on the switch or energising power tools that have the switch on invites accidents.
- Remove any adjusting key or wrench before turning the power tool on.** A wrench or a key left attached to a rotating part of the power tool may result in personal injury.
- Do not overreach. Keep proper footing and balance at all times.** This enables better control of the power tool in unexpected situations.
- Dress properly. Do not wear loose clothing or jewellery. Keep your hair, clothing and gloves away from moving parts.** Loose clothes, jewellery or long hair can be caught in moving parts.
- If devices are provided for the connection of dust extraction and collection facilities, ensure these are connected and properly used.** Use of dust collection can reduce dust-related hazards.
- Do not let familiarity gained from frequent use of tools allow you to become complacent and ignore tool safety principles.** A careless action can cause severe injury within a fraction of a second.

### 4) Power tool use and care

- Do not force the power tool. Use the correct power tool for your application.** The correct power tool will do the job better and safer at the rate for which it was designed.
- Do not use the power tool if the switch does not turn it on and off.** Any power tool that cannot be controlled with the switch is dangerous and must be repaired.
- Disconnect the plug from the power source and/or remove the BATTERY pack, if detachable, from the power tool before making any adjustments, changing accessories, or storing power tools.** Such preventive safety measures reduce the risk of starting the power tool accidentally.

# GENERAL POWER TOOL SAFETY WARNINGS

- d) **Store idle power tools out of the reach of children and do not allow persons unfamiliar with the power tool or these instructions to operate the power tool.** Power tools are dangerous in the hands of untrained users.
- e) **Maintain power tools and accessories. Check for misalignment or binding of moving parts , breakage of parts and any other condition that may affect the power tool's operation. If damaged, have the power tool repaired before use.** Many accidents are caused by poorly maintained power tools.
- f) **Keep cutting tools sharp and clean.** Properly maintained cutting tools with sharp cutting edges are less likely to bind and are easier to control.
- g) **Use the power tool, accessories and tool bits etc. in accordance with these instructions, taking into account the working conditions and the work to be performed.** Use of the power tool for operations different from those intended could result in a hazardous situation.
- h) **Keep handles and grasping surfaces dry, clean and free from oil and grease.** Slippery handles and grasping surfaces do not allow for safe handling and control of the tool in unexpected situations.

## 5) Service

- a) **Have your power tool serviced by a qualified repair person using only identical replacement parts.** This will ensure that the safety of the power tool is maintained.

# SAFETY INSTRUCTIONS FOR MITRE SAWS

- a) **Mitre saws are intended to cut wood or wood-like products, they cannot be used with abrasive cut-off wheels for cutting ferrous material such as bars, rods, studs, etc.** Abrasive dust causes moving parts such as the lower guard to jam. Sparks from abrasive cutting will burn the lower guard, the kerf insert and other plastic parts.
- b) **Use clamps to support the workpiece whenever possible. If supporting the workpiece by hand, you must always keep your hand at least 100 mm from either side of the saw blade. Do not use this saw to cut pieces that are too small to be securely clamped or held by hand.** If your hand is placed too close to the saw blade, there is an increased risk of injury from blade contact.
- c) **The workpiece must be stationary and clamped or held against both the fence and the table. Do not feed the workpiece into the blade or cut "freehand" in any way.** Unrestrained or moving workpieces could be thrown at high speeds, causing injury.
- d) **Push the saw through the workpiece. Do not pull the saw through the workpiece. To make a cut, raise the saw head and pull it out over the workpiece without cutting, start the motor, press the saw head down and push the saw through the workpiece.** Cutting on the pull stroke is likely to cause the saw blade to climb on top of the workpiece and violently throw the blade assembly towards the operator.
- e) **Never cross your hand over the intended line of cutting either in front or behind the saw blade.** Supporting the workpiece "cross handed" i.e. holding the workpiece to the right of the saw blade with your left hand or vice versa is very dangerous.
- f) **Do not reach behind the fence with either hand closer than 100 mm from either side of the saw blade, to remove wood scraps, or for any other reason while the blade is spinning.** The proximity of the spinning saw blade to your hand may not be obvious and you may be seriously injured.
- g) **Inspect your workpiece before cutting. If the workpiece is bowed or warped, clamp it with the outside bowed face toward the fence. Always make certain that there is no gap between the workpiece, fence and table along the line of the cut.** Bent or warped workpieces can twist or shift and may cause binding on the spinning saw blade while cutting. There should be no nails or foreign objects in the workpiece.
- h) **Do not use the saw until the table is clear of all tools, wood scraps, etc., except for the workpiece.** Small debris or loose pieces of wood or other objects that contact the revolving blade can be thrown with high speed.
- i) **Cut only one workpiece at a time.** Stacked multiple workpieces cannot be adequately clamped or braced and may bind on the blade or shift during cutting.
- j) **Ensure the mitre saw is mounted or placed on a level, firm work surface before use.** A level and firm work surface reduces the risk of the mitre saw becoming unstable.
- k) **Plan your work. Every time you change the bevel or mitre angle setting, make sure the adjustable fence is set correctly to support the workpiece and will not interfere with the blade or the guarding system.** Without turning the tool "ON" and with no workpiece on the table, move the saw blade through a complete simulated cut to assure there will be no interference or danger of cutting the fence.
- l) **Provide adequate support such as table extensions, saw horses, etc. for a workpiece that is wider or longer than the table top.** Workpieces longer or wider than the mitre saw table can tip if not securely supported. If the cut-off piece or workpiece tips, it can lift the lower guard or be thrown by the spinning blade.
- m) **Do not use another person as a substitute for a table extension or as additional support.** Unstable support for the workpiece can cause the blade to bind or the workpiece to shift during the cutting operation pulling you and the helper into the spinning blade.

# SAFETY INSTRUCTIONS FOR MITRE SAWS

- n) **The cut-off piece must not be jammed or pressed by any means against the spinning saw blade.** If confined, i.e. using length stops, the cut-off piece could get wedged against the blade and thrown violently.
- o) **Always use a clamp or a fixture designed to properly support round material such as rods or tubing.** Rods have a tendency to roll while being cut, causing the blade to “bite” and pull the work with your hand into the blade.
- p) **Let the blade reach full speed before contacting the workpiece.**  
This will reduce the risk of the workpiece being thrown.
- q) **If the workpiece or blade becomes jammed, turn the mitre saw off. Wait for all moving parts to stop and disconnect the plug from the power source and/or remove the battery pack. Then work to free the jammed material.** Continued sawing with a jammed workpiece could cause loss of control or damage to the mitre saw.
- r) **After finishing the cut, release the switch, hold the saw head down and wait for the blade to stop before removing the cut-off piece.** Reaching with your hand near the coasting blade is dangerous.
- s) **Hold the handle firmly when making an incomplete cut or when releasing the switch before the saw head is completely in the down position.** The braking action of the saw may cause the saw head to be suddenly pulled downward, causing a risk of injury.

## SAVE THESE INSTRUCTIONS.

Refer to them often and use them to instruct others.

If tool is loaned to someone, also loan them these instructions.

## PROPOSITION 65 WARNING:

**▲ WARNING:** Some dust created by power sanding, sawing, grinding, drilling, and other construction activities contains chemicals known to the state of California to cause cancer, birth defects or other reproductive harm. Some examples of these chemicals are:

- Lead from lead-based paints
- Crystalline silica from bricks and cement and other masonry products
- Arsenic and chromium from chemically-treated lumber

Your risk from these exposures varies, depending on how often you do this type of work. To reduce your exposure to these chemicals: work in a well-ventilated area and work with approved safety equipment, such as dust masks that are specifically designed to filter out microscopic particles.

## POWER CONNECTIONS

A separate electrical circuit should be used for your machines. This circuit should not be less than #12 wire and should be protected with a 15 Amp time lag fuse. If an extension cord is used, use only 3-wire extension cords which have a 3-prong grounding type plugs. Before connecting the machine to the power line make sure the switch(s) is in the “OFF” position and be sure that the electric current is of the same characteristics as indicated on the machine. All line connections should make good contact. Running on low voltage will damage the machine.

**▲ DANGER:** DO NOT EXPOSE THE MACHINE TO RAIN OR OPERATE THE MACHINE IN DAMP LOCATIONS.

Your machine is wired for 120 volts, 60 HZ alternating current. Before connecting the machine to the power source, make sure the switch is in the “OFF” position.

## DOUBLE INSULATION

This machine is double insulated. Double insulation is a concept in safety in electric power tools, which eliminates the need for the usual three-wire grounded power cord. All exposed metal parts are isolated from the internal metal motor components with protecting insulation. Double insulated tools do not need to be grounded.

**▲ WARNING:** The double insulated system is designed to protect the user from shock resulting from a break in the tool's internal insulation. However, it is important to observe normal safety precautions to avoid electrical shock.

**NOTE:** Servicing of a tool with double insulation requires extreme care and knowledge of the system and should be performed by an authorized DELTA® agent. For service, we suggest you return the tool to the nearest authorized DELTA® agent for repair. Always use identical replacement parts when servicing.



# POWER CONNECTIONS

## ELECTRICAL CONNECTION

This tool has a precision-built electric motor. It should be connected to a POWER SUPPLY THAT IS 120 VOLTS, 60 HZ, AC ONLY (NORMAL HOUSEHOLD CURRENT). Do not operate this tool on direct current (DC). A substantial voltage drop will cause a loss of power and the motor will overheat. If the tool does not operate when plugged into an outlet, double-check the power supply.

## POLARIZED PLUGS

To reduce the risk of electric shock, this equipment has a polarized plug (one blade is wider than the other). This plug will fit in a polarized outlet only one way. If the plug does not fully fit in the outlet reverse the plug. If it still does not fit, contact a qualified electrician to install the proper outlet. Do not change the plug in any way.

## EXTENSION CORDS

When using a power tool at a considerable distance from a power source, be sure to use an extension cord that has the capacity to handle the current the tool will draw. An undersized cord will cause a drop in line voltage, resulting in overheating and loss of power. Use the chart to determine the minimum wire size required in an extension cord. Only round jacketed cords listed by Underwriter's Laboratories (UL) should be used. When working outdoors with a tool, use an extension cord that is designed for outside use. This type of cord is designated with a "WA" on the cord's jacket.

**NOTE:** Before using any extension cord, inspect it for loose or exposed wires and cut or worn insulation.

**⚠ WARNING:** Keep the extension cord clear of the work area. Position the cord so that it will not get caught on lumber, tools or other obstructions while you are working with a power tool. Failure to do so can result in serious personal injury. Check extension cords before each use. If damaged replace immediately. Never use tool with a damaged cord, since touching the damaged area could cause electrical shock resulting in serious injury.

** Ampere rating (on total data label)	
12A- 16A	
Cord Length	Wire Size
25'	14 AWG
50'	12 AWG
** Used on 12 gauge - 20 amp circuit NOTE: AWG = American Wire Gauge	

# FEATURES

## PRODUCT SPECIFICATIONS

<b>Cutting Capacity</b> (Maximum nominal lumber sizes)	0° Miter/0° Bevel: 4" x 14" 45° Miter/ 0° Bevel: 4" x 10" 0° Miter/45° Bevel: 3" x 14" 45° Miter/45° Bevel: 3" x 10"
<b>Net Weight</b>	55 lbs
<b>Input</b>	120 V~, 60hz, 15 Amps
<b>Blade Arbor Hole</b>	1"
<b>Blade Diameter</b>	12"
<b>No Load Speed</b>	4,000 r/min (RPM)

# FEATURES

- A. Motor
- B. Fence
- C. Throat Plate
- D. Miter Lock Knob
- E. Support Extensions
- F. Miter Scale with Positive Stops
- G. Work Clamp
- H. Base With Carry Handles
- I. Mounting Holes
- J. On-Board Wrench
- K. Work Table
- L. Bevel Lock Knob
- M. Dust Bag
- N. Upper and Lower Blade Guards
- O. Blade (not visible)
- P. Saw Head Handle
- Q. Spindle lock (not visible)
- R. Slide Lock Knob
- S. Electric Brake (not shown)
- T. Laser
- U. Power Switch Locks (not visible)
- V. Power Safety Toggle (not visible)

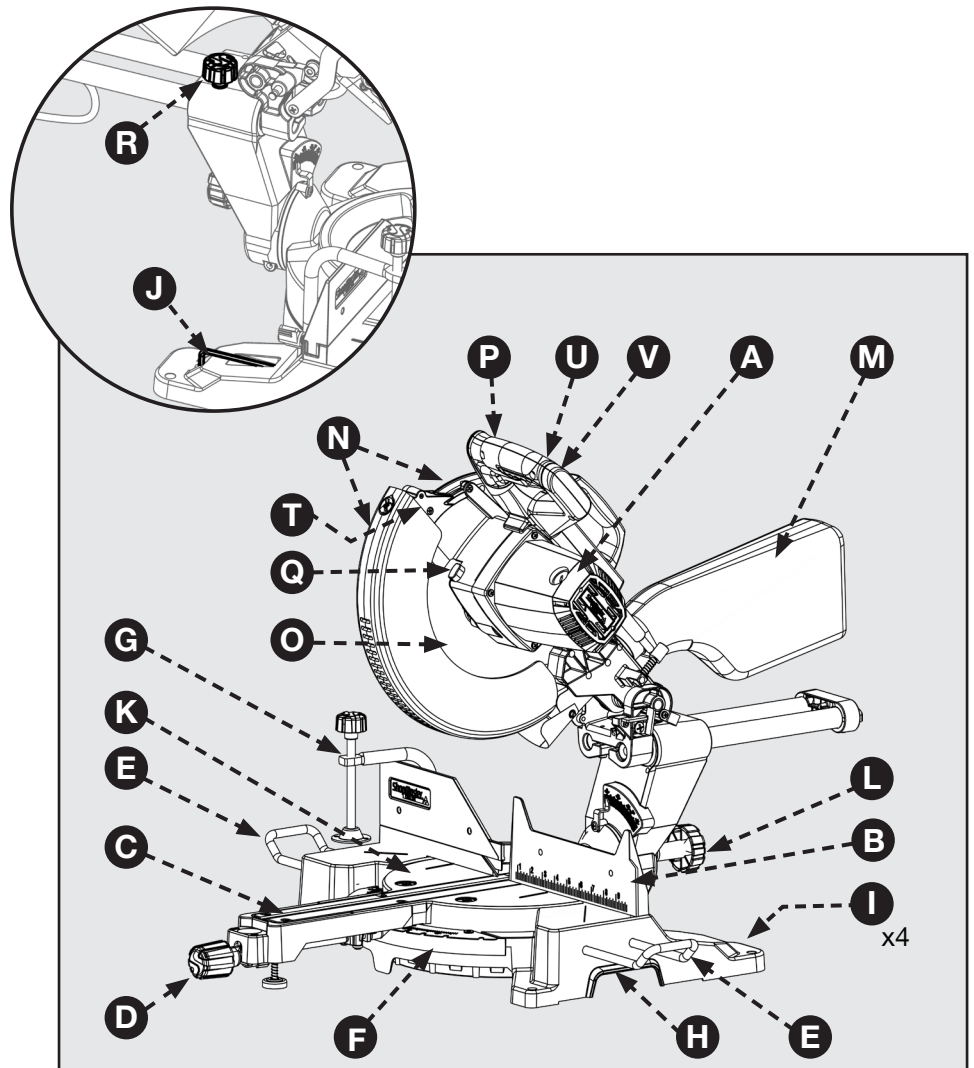


FIGURE 1

## KNOW YOUR COMPOUND MITER SAW

Refer to Figure 1.

Using this tool safely requires that you understand the information provided in this operator's manual, as well as the project you are attempting. Before using this product, familiarize yourself with all operating features and safety rules.

- A. **15-AMP MOTOR:** This tool features a powerful 15-amp motor with all ball bearings and externally accessible brushes for ease of servicing.
- B. **ADJUSTABLE FENCE:** The miter fence supports the workpiece when making all cuts. The extension length is adjustable.
- C. **THROAT PLATE:** The throat plate supports the workpiece and provides a safe working surface.
- D. **MITER LOCK:** The miter lock knob securely locks the saw at desired miter angles.
- E. **SUPPORT EXTENSIONS:** Use these to help support large pieces when necessary.
- F. **MITER SCALE WITH POSITIVE STOPS:** Positive stops have been provided at 0°, 15°, 22.5°, 31.6°, and 45°. The blade stops have been provided on both the left and right side of the miter table.
- G. **WORK CLAMP:** The work clamp helps to position and secure the workpiece to the fence, ensuring safer operation and more accurate cuts.
- H. **BASE WITH CARRY HANDLES:** Supports the tool and features mounting holes. Use the carry handles which are designed into the base for safe and easy transportation of the saw.
- I. **MOUNTING HOLES:** Enables you to securely mount the tool to a stable surface.
- J. **BLADE WRENCH STORAGE:** The included blade wrench features a Phillips screwdriver at one end and a hex key at the other. Use the hex key when installing or removing blade and the Phillips screwdriver when removing or loosening screws. When not in use, the wrench can be stored in the base of the saw.
- K. **WORK TABLE:** Sturdy, large die-cast aluminum work table provides a level and sturdy work surface.
- L. **BEVEL LOCK:** the bevel lock knob secures the saw at the desired angle for bevel cuts. There are 2 positive stop screws underneath the bevel lock knob for making fine adjustments at 0° and 45°.
- M. **DUST COLLECTION BAG:** The included dust bag attaches and detaches quickly with the integrated clamp for easy cleaning.

# FEATURES

- N. **UPPER AND LOWER BLADE GUARDS:** The lower blade guard is made of shock-resistant, see-through plastic that provides protection from each side of the blade. It automatically retracts over the upper blade guard as the saw is lowered into the workpiece.
- O. **12-INCH BLADE:** A 12" blade is included with the compound miter saw. It will cut materials up to 4" thick or 14" wide, depending upon the angle at which the cut is being made.
- P. **SAW HEAD HANDLE:** Use this handle to perform cuts as instructed in the operation section of this manual. This handle also includes the power switch for activating the saw blade.
- Q. **SPINDLE LOCK BUTTON:** The spindle lock button locks the spindle preventing the blade from rotating while removing or installing the blade screw.
- R. **SLIDE LOCK:** This allows head to move front to rear for cutting wide material up to 14" wide.
- S. **ELECTRIC BRAKE:** An electric brake has been provided to more quickly stop blade rotation after the switch is released. (not shown)
- T. **LASER:** For more accurate cuts, a laser is included with your miter saw. When used properly, the laser makes accurate, precision cutting simple and easy.
- U. **POWER SWITCH:** The saw blade is activated by an easy-to-use switch. When not in use the saw should be disconnected from the power supply and switch locked in the off position using a padlock (not included) inserted through the hole in the switch trigger. A lock with a long shackle up to 5/16 in. diameter may be used. The padlock and key should be stored in separate locations.
- V. **POWER SAFETY TOGGLE:** Reduces safety risk for unauthorized users.

# UNPACKING

- Check shipping carton and machine for damage before unpacking. Carefully remove packaging materials, parts and machine from shipping carton. Always check for and remove protective shipping materials around motor and moving parts. Lay out all parts on a clean work surface.
- Compare the items to inventory figures, verify that all items are accounted for before discarding the shipping carton. Report any missing or damaged parts, please call our Customer Care Center at 800-223-7278. Prior to tool assembly and use, read this manual to familiarize yourself with proper assembly, maintenance and safety procedures.
- If any parts are missing, do not attempt to plug in the power cord and turn the power on. The saw should only be energized after all parts have been located and correctly assembled.

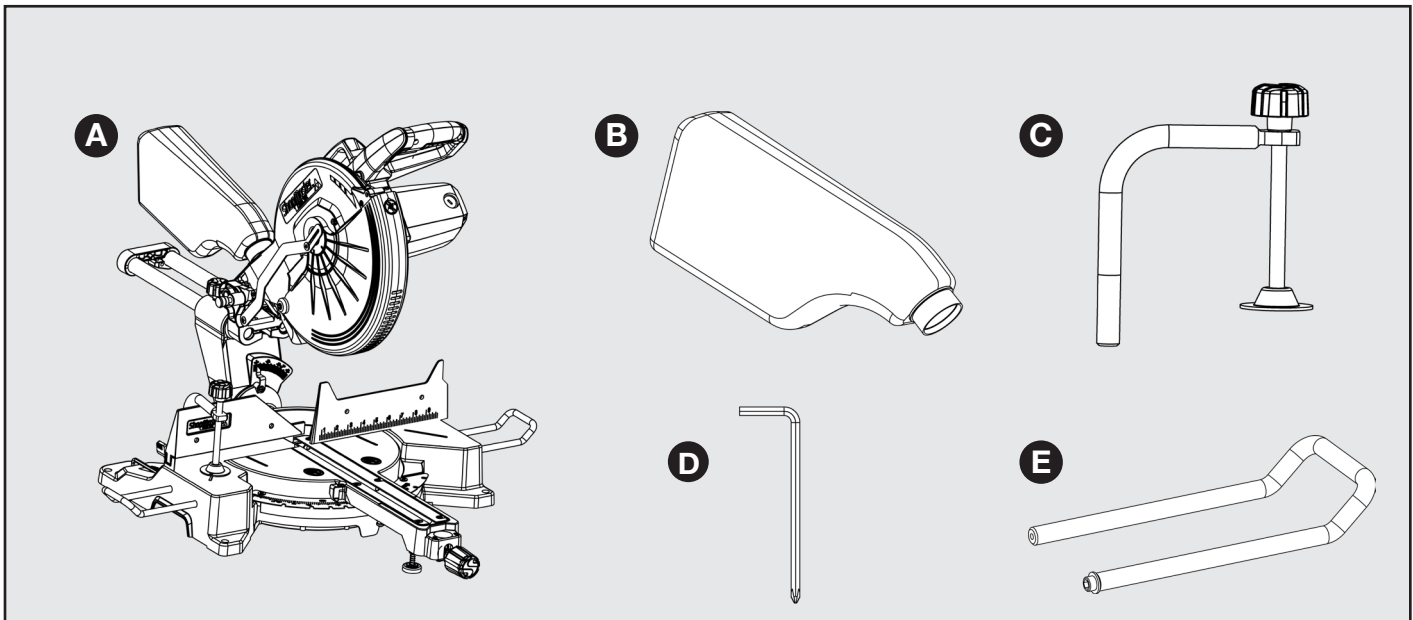


FIGURE 2

## CONTENT DESCRIPTION (QTY)

- A. SHOPMASTER S26-272L 12-inch Sliding Compound Miter Saw
- B. Dust Collection Bag (1)
- C. Work Clamp (1)
- D. Blade Wrench (1)
- E. Support Extensions (2)



# MOUNTING AND TRANSPORTATION

**⚠ WARNING:** Before moving/transporting your saw it is important to make sure all of the following steps have been followed to ensure a safe condition for transportation. Failure to do so can result in serious personal injury.

**⚠ WARNING:**

- Always turn the power off and unplug saw before transporting.
- Secure power cord to avoid any snags or hang ups during transportation.
- Always lift using the strength of your legs to lift saw; never use your back muscles to lift saw.
- Do not use power On/Off switch handle or power cord to lift your saw.
- Always place the saw onto a stable and level surface with clearance for handling and maneuvering.

## PREPARATIONS FOR TRANSPORTATION

### SAW ARM LOCK PIN

1. The saw is shipped with the arm secured in the down position as shown in Figure 3. To release the arm, push it down, cut the plastic tie and release the lock pin (A).
2. Lock pin (A) is for storage and transport only. Saw is not to be locked in down position during cuts.
3. Inspect the tool carefully to make sure no damage occurred during shipping.
4. Do not discard the packaging material until you have carefully inspected and satisfactorily operated the tool.

**⚠ WARNING:** Saw Head lock pin is for storage and transport only. This saw should never be locked in the down position while making cuts.

### BASE WITH CARRY HANDLES

Use the carry handles which are designed into the base for safe and easy transportation of the saw. Shown in Fig. 4.

## MOUNTING THE SAW TO A STABLE SURFACE

**⚠ WARNING:** To ensure safe and accurate operation, this saw should be mounted to a stable and level surface such as a workbench. To mount the tool to a stable surface, refer to Figure 5 and do the following:

1. Locate the four mounting holes in the base of the saw (C).
2. Secure the tool to the mounting surface using 3/8" diameter machine bolts, lock washers, and hex nuts (not included). Make sure the bolts are long enough to accommodate the saw base, lock washers, hex nuts, and the thickness of the workbench.
3. Tighten all four bolts securely.
4. Check to make sure that the saw is secure before operation.

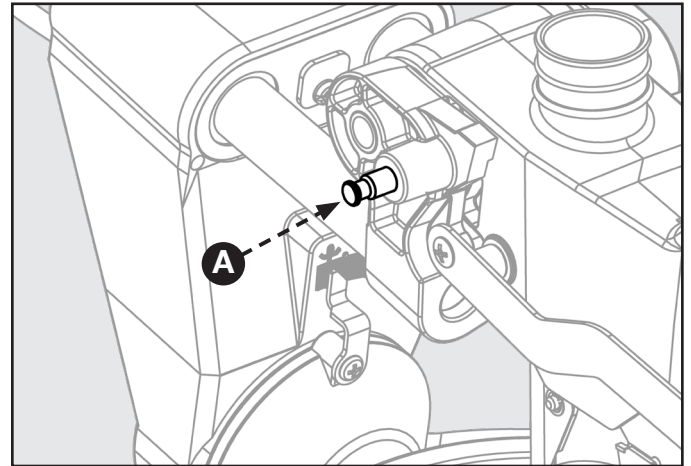


FIGURE 3

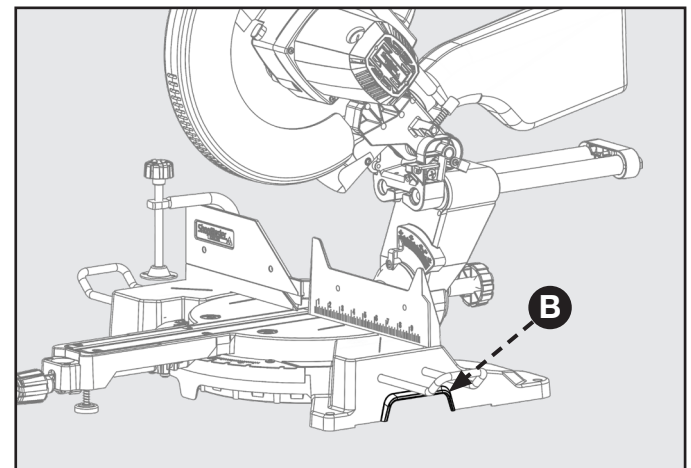


FIGURE 4

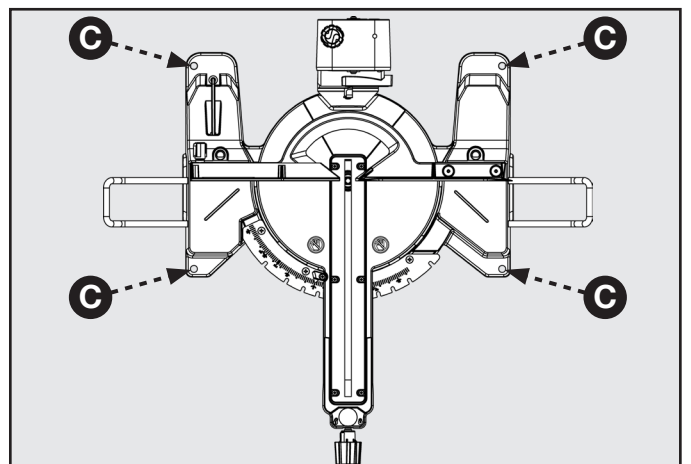


FIGURE 5

# ASSEMBLY

## ⚠ WARNING:

- Do not attempt to modify this tool or create accessories not recommended for use with this tool. Any such alteration or modification is misuse and could result in a hazardous condition.
- Do not connect to power supply until assembly is complete. Failure to comply could result in accidental starting.
- Do not start the miter saw without checking for interference between the blade and the miter fence. Damage could result to the blade if it strikes the miter fence during operation of the saw.
- The saw can tip over if the saw head is released suddenly and the saw is not secured to a work surface. ALWAYS secure this saw to a stable work surface before any use.
- If any parts are damaged or missing do not operate this tool until the parts are replaced. Please call Customer Care Center at 800-223-7278, for instructions.

## SUPPORT EXTENSIONS

See Figure 6.

Table extensions have been provided for both the left and right side of the saw.

To install table extensions:

- Remove Hex-Socket Cap Screw (C) from the end of extension (A).
- Insert the ends of extension (A) into holes in the sides of the base (B).
- Thread Hex-Socket Cap Screw (C) into the end of extension (A). Tighten screw.
- Repeat for other extension.
- **⚠ WARNING:** Always fix and use workpiece support extensions during operation.

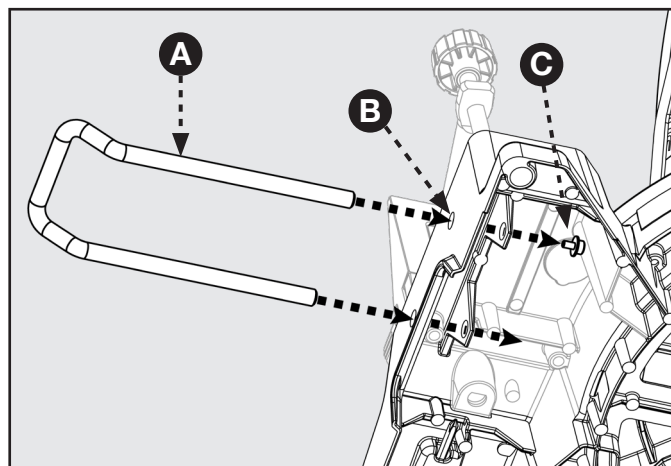


FIGURE 6

## ATTACHING WORK CLAMP

The work clamp secures the workpiece to the fence to provide more stability and keeps the workpiece from creeping toward the saw blade.

To install the work clamp, see Figure 7 and do the following:

1. Place the clamp shaft (D) in either hole (E) on the miter table base.
2. Rotate the knob (F) on the clamp clockwise to move it in or counter clockwise to move it out as needed.

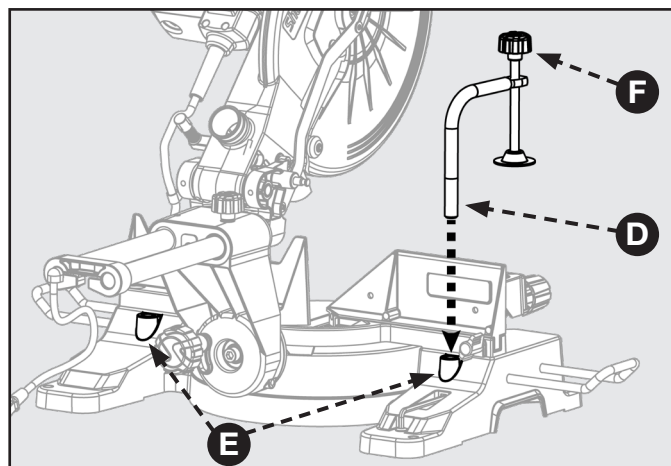


FIGURE 7

## INSTALL DUST COLLECTION BAG

The tool includes a dust collection bag that attaches over the exhaust port on the upper blade guard. See Figure 8.

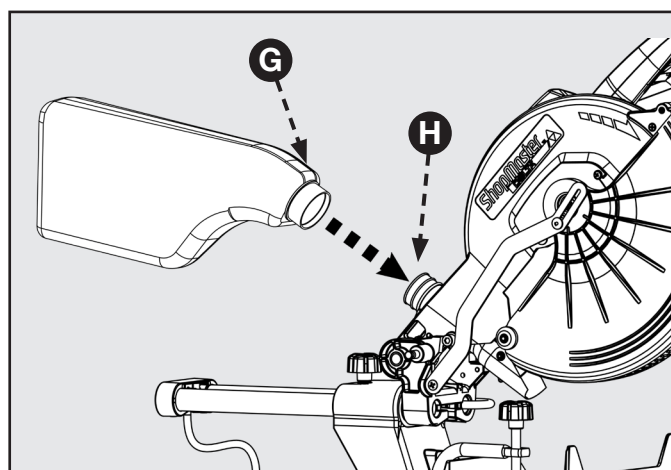


FIGURE 8

# PREPARING YOUR SAW FOR USE

## INSTALL/REPLACE THE BLADE

**⚠ WARNING:** According to marking on the saw a 12-inch blade is the maximum blade capacity of the saw. Larger blades will come in contact with the blade guards. Only use blades which are rated for at least 4,000 RPM or higher. Only use blades with a maximum kerf width of 2.7mm or less.

Refer to Figure 9.

1. Make sure the saw is unplugged.
2. Raise the saw arm to the full upright position.
3. Rotate the lower blade guard (A) up. Slightly loosen the blade bolt cover screw (B) until you can move the blade bolt cover (C) up to expose the blade bolt (D).

Refer to Figure 10.

4. Press the spindle lock button (E).
5. If replacing the blade, carefully rotate the old blade until the spindle locks in place.
6. Using the supplied blade wrench, remove the blade bolt (D) by turning it clockwise.

**NOTE:** The blade bolt has left-hand threads.

7. Remove only the outer blade washer (F) and the blade (G), leaving the inner blade washer on the spindle.

**⚠ WARNING:** If inner blade washer has been removed, replace it before placing blade on spindle. Failure to do so could cause an accident since blade will not tighten properly.

8. Carefully fit saw blade inside the blade guard and guide it onto the spindle, ensuring the teeth of the blade are facing down at the front of the saw.
9. Align the double “D” flats on the blade washer (F) with the flats on the spindle and fit the washer onto the spindle.
10. Lock the spindle by depressing the spindle lock button. Screw on the blade bolt (D), remembering to thread it counter clockwise. Tighten blade bolt securely using the provided blade wrench.

**⚠ WARNING:** Always install the blade with the blade teeth and the arrow on the side of the blade pointing down at the front of the saw. The direction of the blade rotation is also stamped with an arrow on the upper blade guard.

11. Replace the blade bolt cover and tighten blade bolt cover screw securely. Lower blade guard.
12. Raise and lower the saw arm to ensure that the arm and blade guard move freely.

**⚠ WARNING:** Make sure the spindle lock button is not engaged before reconnecting saw to power source. Never engage spindle lock button when blade is rotating.

**NOTE:** Some illustrations in this manual indicate only portions of the saw. This is done in order to more clearly show key areas and components of the saw. Never operate the saw without all guards securely in place and in good operating condition.

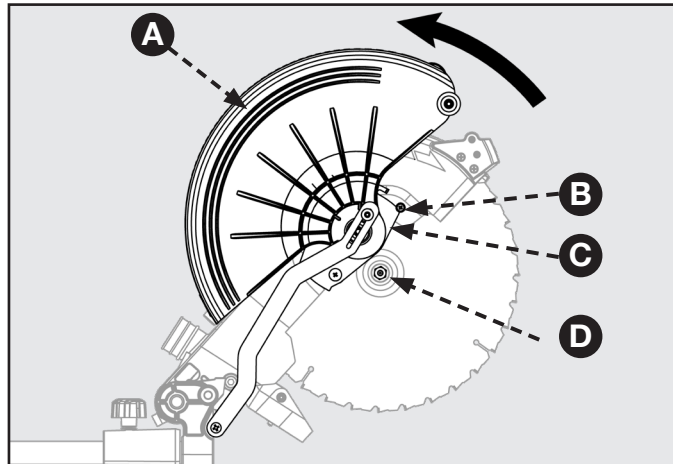


FIGURE 9

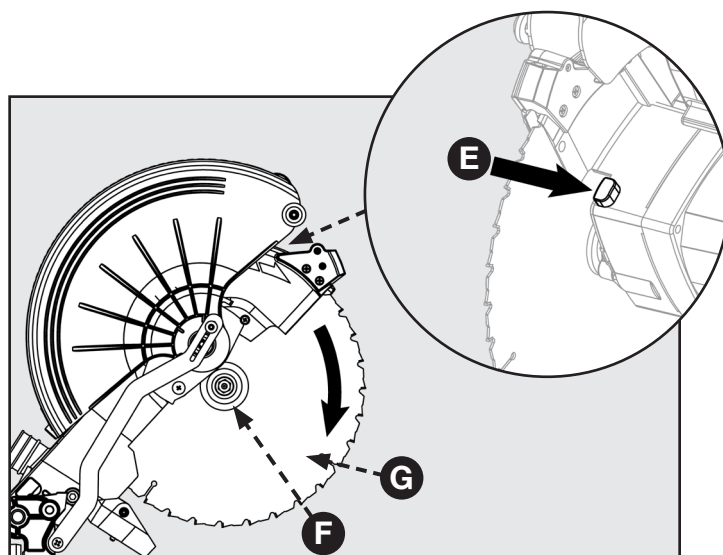


FIGURE 10

# PREPARING YOUR SAW FOR USE

## ALIGN THE BLADE TO THE TABLE

Refer to Figure 11.

1. Unplug the saw
2. Lower the saw arm all the way down to the transport position and engage the lock pin to hold it in place.
3. Rotate the miter lock handle (A). Position the table so that the miter scale indicator (B) reads 0°.
4. Rotate the miter lock handle (A) to the locked position so that the table will not move.
5. Loosen bevel lock knob (D) and adjust the angle of saw arm so that it comes to rest against the 0° bevel stop (as indicated on the bevel scale). This positions the blade at 90° to the table.
6. Securely tighten bevel lock knob (D).

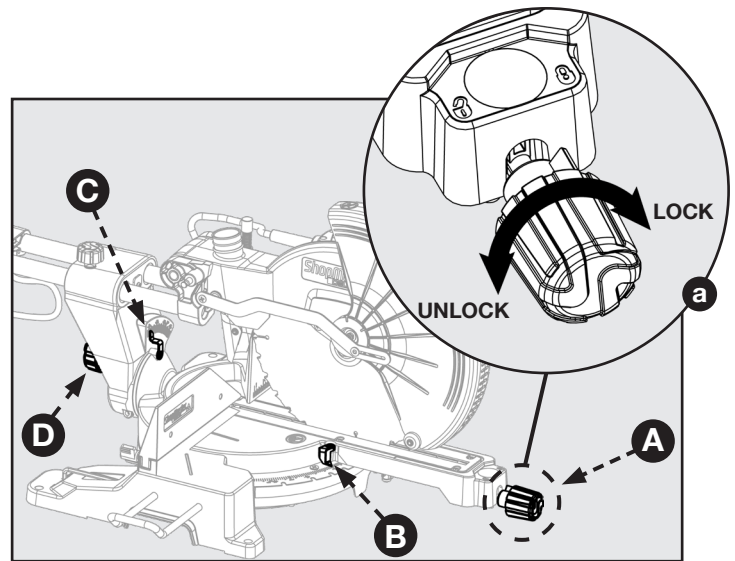


FIGURE 11

Refer to Figure 12.

7. Place a combination square (E) against the table and the face of the saw blade (F).

**NOTE:** Make sure that the square contacts the flat part of the saw blade, not the blade teeth.

8. Rotate the blade by hand and check the blade-to-table alignment at several points.
9. The edge of the square and the saw blade should be parallel as shown in Figure 12.
10. If the top or bottom of the blade face is not flush with the square, refer to Figure 13 below and perform the following steps.
11. Loosen bevel lock knob (G).
12. Adjust positive stop adjustment screw (H) to bring saw blade into alignment with the square. See "Positive Stop Screw" in the Adjustment section of this manual for more detailed instructions.
13. Re-tighten bevel lock knob. Recheck blade-to-blade alignment.

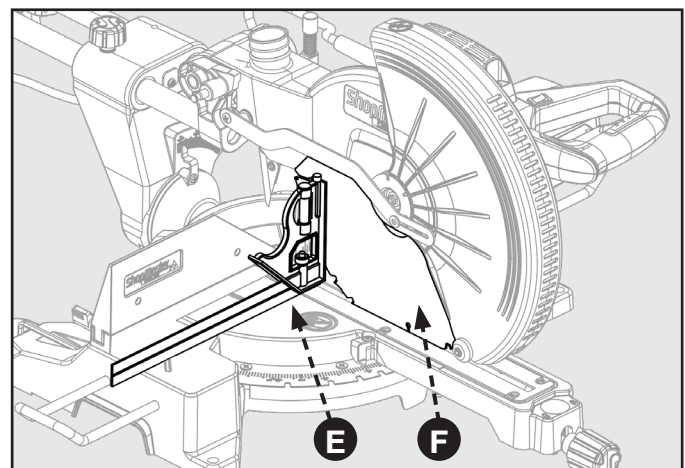


FIGURE 12

**NOTE:** The above procedure can be used to check alignment of the blade to the miter table at both 0° and 45° angles.

**NOTE:** The saw has two scale indicators, one on the bevel scale and one on the miter scale. After squaring adjustments have been made, it may be necessary to loosen the indicator screws and reset them to zero.

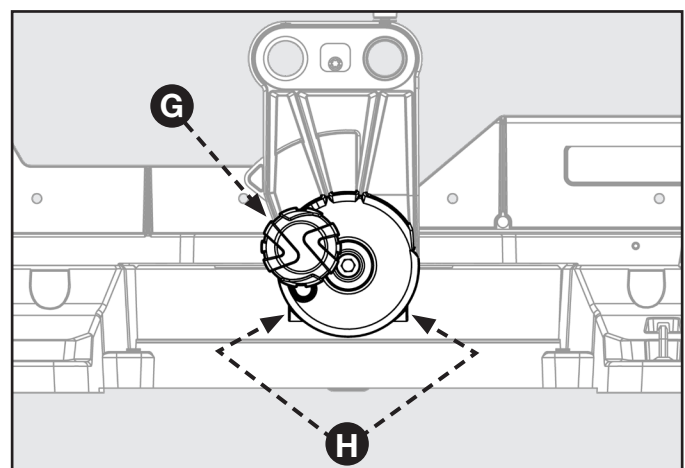


FIGURE 13



# PREPARING YOUR SAW FOR USE

## USING THE LASER GUIDE

When the laser guide switch is turned on it projects a red line onto the work surface enabling you to see your cut before you make it. Follow the steps below to ensure a true and straight cut (Refer to Figure 14):

1. Make sure the saw is unplugged.
2. Draw a line on the workpiece where you plan to cut.
3. Flip the laser switch (A) on the "ON" position.
4. The red line (B) indicates the path of the blade.
5. Align the laser line and the mark with the blade at the uppermost position.
6. Once both lines are in alignment, do not move the workpiece.
7. Plug the saw into the power source.
8. Make several practice cuts on different styles and thickness of material.

### TO REMOVE YOUR MARK:

Position the laser line near the left edge of your mark on the work surface in order to cut the mark.

### TO CUT ON YOUR MARK:

Position the laser line near or over your mark on the work surface in order to cut the mark.

### TO CUT WITHOUT REMOVING YOUR MARK:

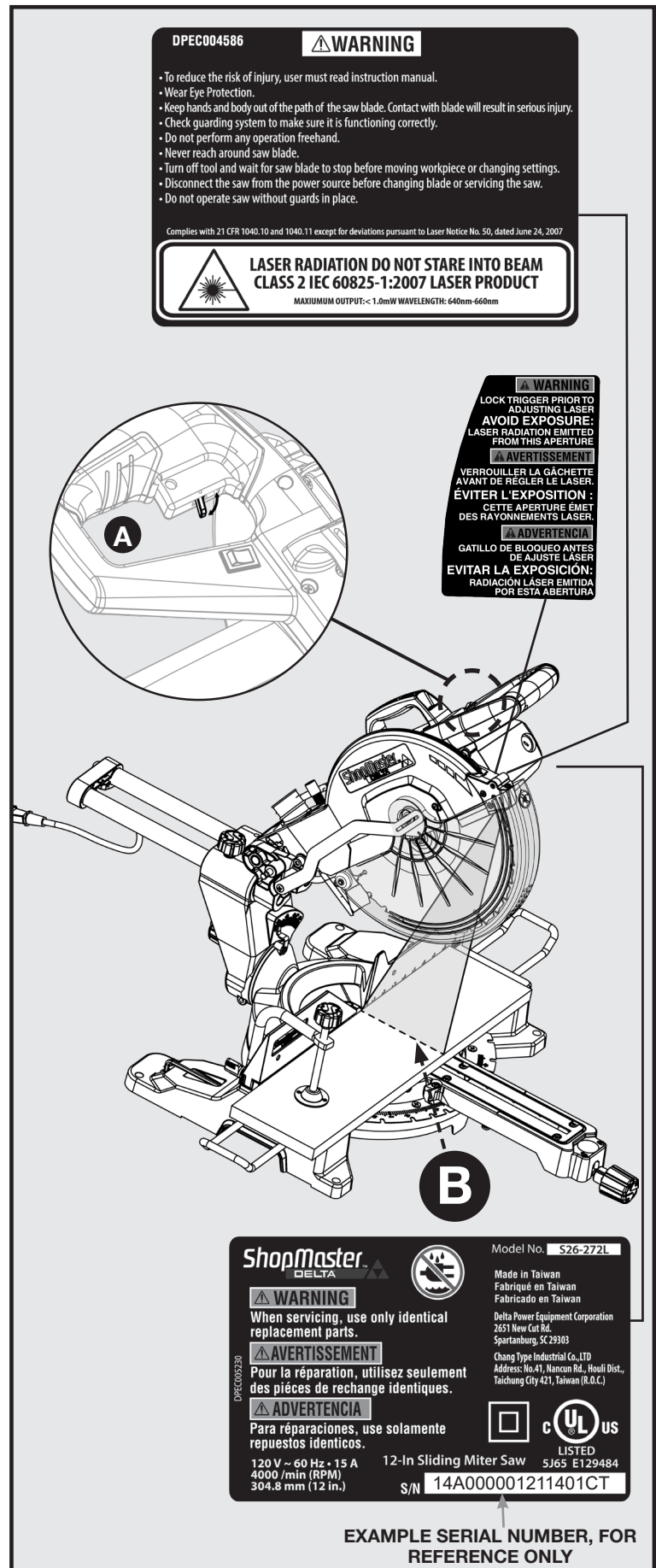
Position the laser line near the right edge of your mark on the work surface in order to leave the mark. After you have become familiar with using the laser guide, you will be able to remove, cut, or leave your mark on the work surface. Practice will teach you the correct position for aligning the laser line with your mark.

#### ⚠ WARNING:

- Avoid direct eye exposure to laser beam or reflection. Intense or prolonged exposure to laser radiation could permanently damage your eyes. Do not project or reflect the laser into anyone's eyes, including your own.
- **Caution** -- use of controls or adjustments or performance of procedures other than those specified herein may result in hazardous radiation exposure.
- Do not disassemble or modify the laser. There are no user serviceable parts inside. Serious eye injury could result.
- Use or modification of the laser guide for anything other than its designed purpose may result in hazardous radiation exposure.

### FREE WARNING LABEL REPLACEMENT

If your warning labels become illegible or are missing, call 1-800-223-7278 for a free replacement.



EXAMPLE SERIAL NUMBER, FOR REFERENCE ONLY

FIGURE 14



# OPERATION

## ⚠ WARNING:

- Do not allow familiarity with tools to make you careless. Remember that a careless fraction of a second is sufficient enough to inflict serious personal injury.
- Always wear eye protection with side shields and marked to comply with ANSI Z87.1 Failure to do so could result in objects being thrown into your eyes, resulting in possible serious personal injury.
- Do not use any attachments or accessories not recommended by the manufacturer of this tool. The use of attachments or accessories not recommended can result in serious personal injury.
- Before starting any cutting operation, clamp or bolt the compound miter saw to a workbench. Never operate the miter saw on the floor or in a crouched position. Failure to heed this warning can result in serious personal injury.
- To avoid serious personal injury, always tighten the miter lock handle and bevel lock knob securely before making a cut. Failure to do so could result in movement of the control arm or miter table while making a cut.
- To avoid serious personal injury, keep hands outside the no hands zone, at least 3 in. from blade. Never perform any cutting operation freehand (without holding workpiece against the fence). The blade could grab the workpiece if it slips or twists.
- When using a work clamp or C-clamp to secure the workpiece, clamp workpiece on one side of the blade only. The workpiece must remain free on one side of the blade to prevent the blade from binding in workpiece. The workpiece binding the blade will cause motor stalling and kickback. This situation could cause an accident resulting in serious personal injury.
- NEVER move the workpiece or make adjustment to any cutting angle while the saw is running and the blade is rotating. Any slip can result in contact with the blade causing serious personal injury.
- When cutting, do not force the blade against the workpiece. Forcing the blade will cause a drop in motor RPM and increase the risk of overheating the saw blade tips.

## APPLICATIONS

You may use this tool for the following purposes:

- Bevel cutting and compound cutting for crown moldings, etc.
- Cross cutting wood.
- Cross cutting for moldings, door casings, picture frames, etc.

**NOTE:** This saw is for cutting wood. The blade provided is acceptable for wood cutting only.

## POWER SWITCH LOCK-OUT

To prevent any unauthorized person from operating this saw, a padlock (not included) should be installed into the Lock Hole located on the power switch, as shown in Figure 15. Be sure padlock is fully closed and locked before leaving this saw unattended.

**⚠ WARNING:** Always disconnect the power supply before installing or removing a lock onto the power switch. Failure to do so could cause the power switch to engage by accident, resulting in serious injury.

## POWER SAFETY TOGGLE

In order to turn the saw motor on, you must first engage the power safety toggle located on the power switch handle as shown in figure 16.

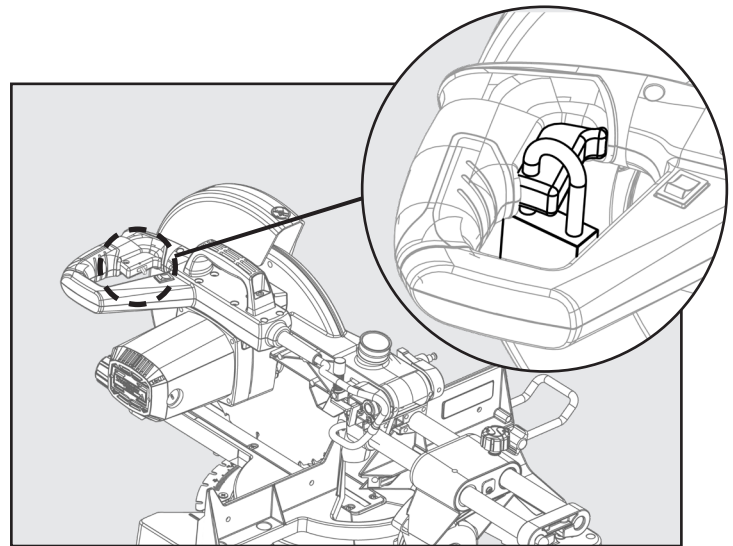


FIGURE 15

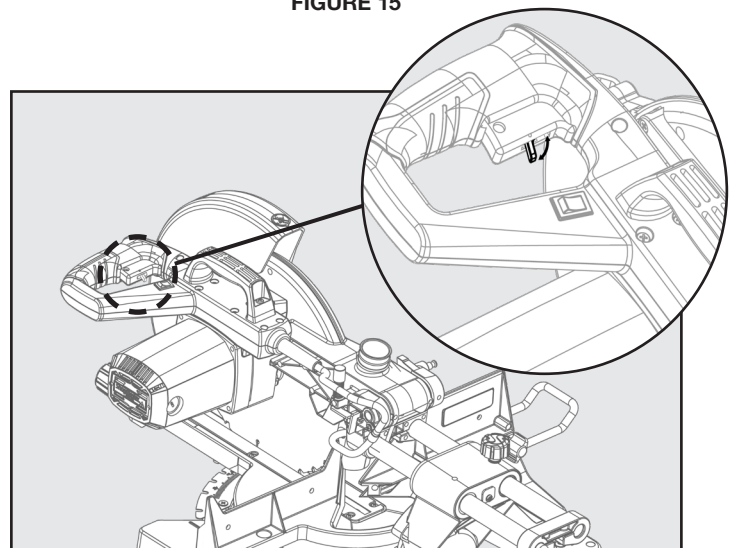


FIGURE 16

# OPERATION

## SLIDE CUTS

**⚠ WARNING:** Never make a cut by pulling the saw toward you. The blade can “climb” on top of the workpiece and come toward you at an accelerated speed. Failure to heed this warning could result in serious personal injury.

See Figure 17.

With the saw powered off, pull the saw arm forward. Turn the saw on (wait for blade to reach full speed). push the blade down cutting into the workpiece, then back toward the rear of the saw to make a cut. Cuts must be made by pushing the saw blade away from you and toward the back of the saw stopping at the maximum rear position after each cut. While the saw is running, **NEVER** pull the saw blade toward you or toward the front of the saw. See warning above.

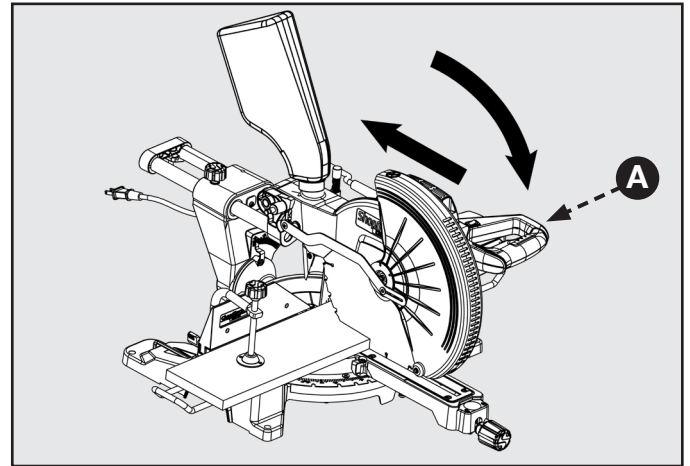


FIGURE 17

- Raise arm to its full height.
- Place the workpiece flat on the miter table with one edge securely against the fence. If the board is warped, place the convex side against the fence. If the concave edge of a board is placed against the fence, the board could collapse on the blade at the end of the cut, jamming the blade. See Figure 18.
- When cutting long pieces of lumber or molding, support the opposite end of the stock with a stand or with a work table level with the saw table.
- Align the cutting line on the workpiece with the blade or laser line.
- Loosen the slide lock knob.
- Hold the stock firmly with one hand, against the fence. Use the work clamp to secure the workpiece whenever possible.
- With the saw off, perform a dry run of the cut to make sure that no problems will occur when the actual cut is made.
- With the saw off, grasp the saw handle firmly then pull the saw forward until the center of the saw blade is over the front edge of the workpiece or until the saw is fully extended.
- Only use the saw handle (A) to place your hands. DO NOT place your hands on the motor housing.
- Squeeze the power switch trigger. Allow the blade to reach maximum speed.
- Slowly lower the blade through the front edge of the workpiece.
- While holding the workpiece push the saw handle away from you and toward the back of the saw.
- Release the power switch and allow the saw blade to stop rotating before raising the blade out of workpiece. After blade stops, remove the workpiece from miter table.

**NOTE:** A cross cut is made by cutting across the grain of the workpiece. A straight cross cut is made with the miter table set at the 0° position. Miter cross cuts are made with the miter table set at some angle other than 0°.

## BEVEL CUTS

A bevel cut is made across the grain with the blade angled to the workpiece. A straight bevel means the miter scale indicator is set at 0° and the bevel scale indicator is set at an angle other than 0°.

## COMPOUND MITER CUTS

A compound miter cut is made using a miter angle and a bevel angle at the same time. Adjustments of miter and bevel settings are interdependent. Each time you adjust the miter setting change the effect of the bevel setting. Also, each time you adjust the bevel setting you change the effect of the miter setting.

## TIPS FOR CUTTING CROWN MOLDING

- The two edges of the molding that contact the ceiling and the wall are at angles that, when added together, equal exactly 90°. Most crown molding has a top rear angle (the section that fits flat against the ceiling) of 52° and a bottom rear angle (the section that fits flat against the wall) of 38°.
- To accurately cut crown molding for a 90° inside or outside corner, lay the molding with its broad back surface flat on the miter table and against the fence.

# OPERATION

- The angles for crown moldings must be very precise. The bevel and miter angles are interdependent; changing one angle changes the other angle as well.
- Since it is very easy for the work piece to shift, all settings should first be tested on scrap molding. Also most walls do not have angles of exactly 90°; therefore, you will need to fine-tune your settings.
- When cutting crown molding the bevel angle should be set at 33.85°.
- The miter angle should be set at 31.62° either right or left, depending on the desired cut for the application. See the chart below for correct angle settings and correct positioning of crown molding on the work table.

Bevel Angle Setting	Type of Cut	Steps
33.85°	Left side, inside corner	<ol style="list-style-type: none"> <li>1. Top edge of molding against fence</li> <li>2. Miter table set right 31.62°</li> <li>3. Save left end of cut</li> </ol>
33.85°	Right side, inside corner	<ol style="list-style-type: none"> <li>1. Bottom edge of molding against fence</li> <li>2. Miter table set left 31.62°</li> <li>3. Save left end of cut</li> </ol>
33.85°	Left side, outside corner	<ol style="list-style-type: none"> <li>1. Bottom edge of molding against fence</li> <li>2. Miter table set left 31.62°</li> <li>3. Save right end of cut</li> </ol>
33.85°	Right side, outside corner	<ol style="list-style-type: none"> <li>1. Top edge of molding against fence</li> <li>2. Miter table set right 31.62°</li> <li>3. Save right end of cut</li> </ol>

## CUTTING WARPED MATERIAL

When attempting to cut warped material, the CONVEX face should be against the fence as shown in Figure 18.

Never position a piece of warped material with the CONCAVE face or edge against the fence, as shown in Figure 19. It will pinch the blade near the completion of the cut.

**⚠ WARNING:** To avoid a kickback and to avoid serious personal injury, never position the concave edge of bowed or warped material against the fence.

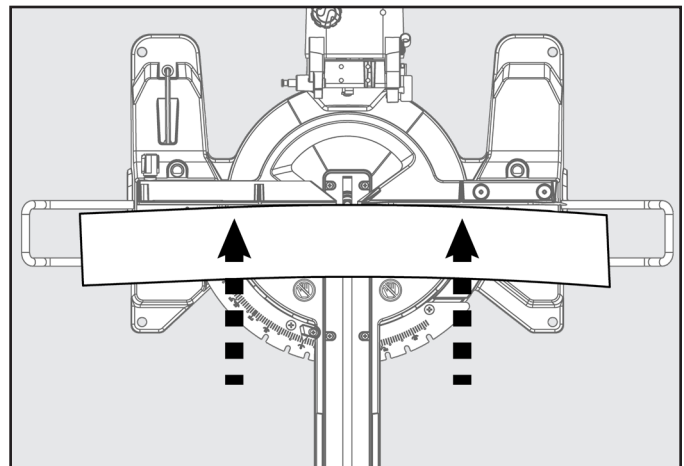


FIGURE 18

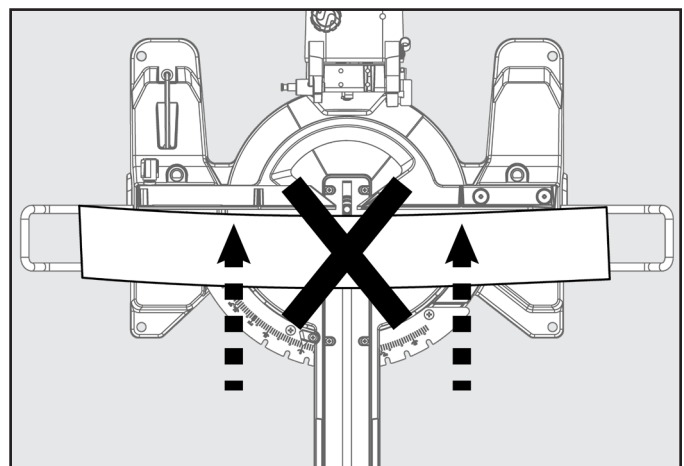


FIGURE 19

# OPERATION

## CLAMPING WIDE WORKPIECES

When cutting wide work pieces, such as 2 in. X 12 in., clamp the workpiece to the work table using a work clamp (A) as shown in Figure 20.

**⚠ WARNING:** Keep clamps away from the path of the blade and blade guard assembly.

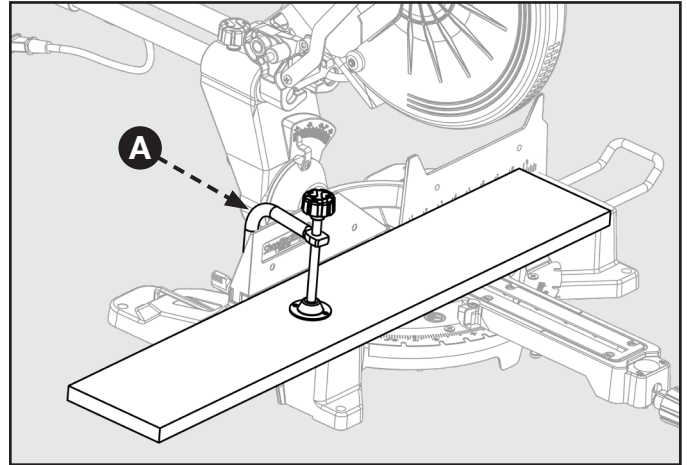


FIGURE 20

## SUPPORTING LONG WORKPIECES

In most cases the included table extensions (workpiece supports) will be sufficient to support longer workpieces. If these are not long enough, the workpiece should be supported further out from the saw. Additional support (B) may be used to make the workpiece lay flat on the saw table. Use the included work clamp or a C-clamp (C) to secure the workpiece to the miter saw table. See Figure 21.

**⚠ WARNING:** Keep clamps away from the path of the blade and blade guard assembly.

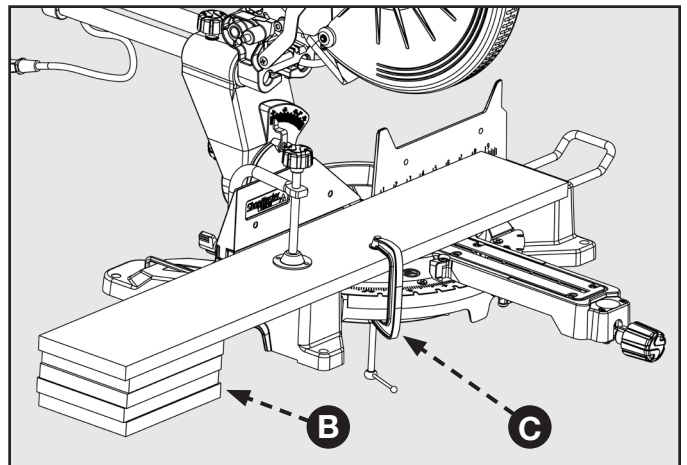


FIGURE 21

# ADJUSTMENTS

**⚠ WARNING:** Before performing any adjustment, make sure the tool is unplugged from the power supply. Failure to heed this warning could result in serious personal injury.

Your compound miter saw has been properly adjusted at the factory. Due to shipping or normal use, it may be necessary to re-adjust some of the settings. Check the following adjustments periodically to assure proper accuracy and safe operation.

**⚠ CAUTION:** Check for interference between the blade and the throat plate, before plugging the saw into the power source.

## ARM PIVOT

The arm of the saw should raise and lower completely and freely. In the lowered position and with the lock pin removed, the arm should rise to the up position by itself. If the saw arm does not raise by itself or if there is play in the pivot joints, it will need to be professionally repaired at an AUTHORIZED SERVICE CENTER. Please call Company's Customer Care Center at 800-223-7278.

# ADJUSTMENTS

## POSITIVE STOP SCREW

The position of the positive stop adjustment screw was set at the factory and normally will not require readjustment. If the blade is not square to the table, the positive stop adjustment screw must be re-adjusted.

To adjust refer to Figure 22.

1. Unplug the saw.
2. Loosen the bevel lock knob (B) by turning it counterclockwise.
3. Using the Phillips end of the blade wrench, adjust the positive stop adjustment screw (A).
4. Square the blade to the miter table as described in the section entitled, ALIGN THE BLADE TO THE TABLE, found on page 12.
5. Re-tighten bevel lock knob (B). Recheck blade-to-table alignment.
6. The saw has two scale indicators, one on the bevel scale and one on the miter scale. After squaring adjustments have been made, it may be necessary to loosen the indicator screws and reset them to zero.

**NOTE:** Use this procedure to check that the blade is square to the table at 0° and 45° angles.

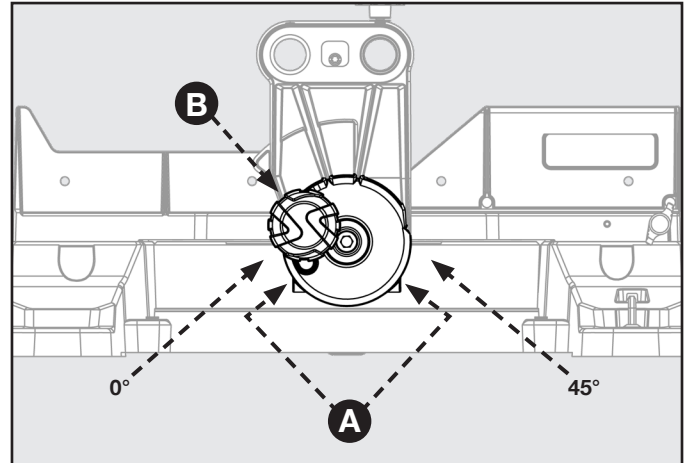


FIGURE 22

## BEVEL PIVOT

With the bevel lock knob loosened, the control arm of the saw should tilt easily from 0° and 45°. If it does not or if there is play in the pivot, the saw must be repaired by an AUTHORIZED SERVICE CENTER.

## LASER GUIDE

**⚠ DANGER:** Laser radiation. Avoid direct eye contact with light source.

Refer to Figure 23.

1. Secure a piece of scrap material to the table surface using the work clamp or a C-clamp.
2. Plug the saw into the power source and make a slight cut to score the wood.
3. Release the switch trigger and make sure the blade comes to a full stop, then raise the saw arm to the upright position.
4. Unplug the saw. Do not remove the scrap piece.
5. Turn on the laser switch (C). If properly aligned, the laser should align with the left edge of the partial cut you just made.
6. If the the laser does not align properly with the cut, refer to pages 19 and 20 for detailed laser calibration instruction.

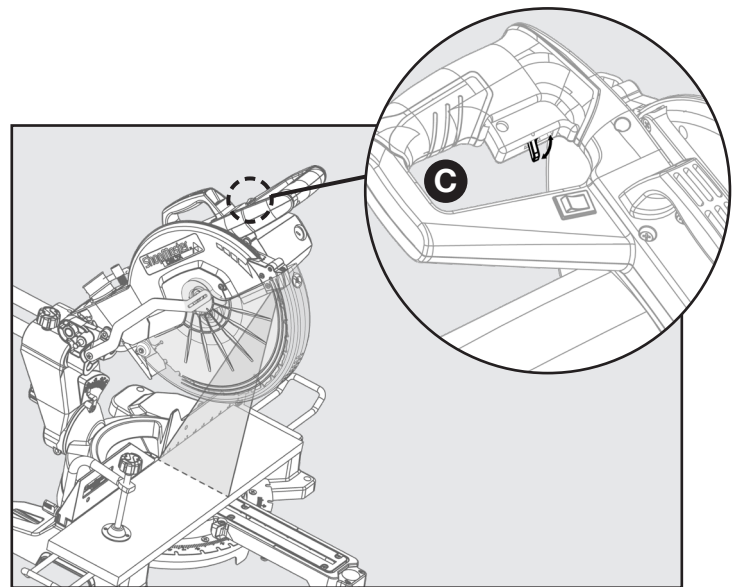


FIGURE 23



# ADJUSTMENTS

## DEPTH STOP ADJUSTMENT

This miter saw is equipped with an adjustable depth stop for making through cuts and non-through cuts.

**Refer to Figure 24 depth stop at a specific cut depth:** use a Phillips head screwdriver to loosen screw (C) and then rotate the stop bracket (B) counterclockwise into the down position. Make sure to re-tighten screw (C). The cut depth can now be adjusted by turning the depth adjustment screw (A).

**Refer to figure 24 and follow these instructions in order to make a through cut:** use a Phillips head screwdriver to loosen screw (C) and then rotate the stop bracket (B) clockwise into the up position. Make sure to re-tighten screw (C).

**⚠ DANGER:** Always check to make sure screw (C) is tightened before making a cut. Failure to do so may result in injury.

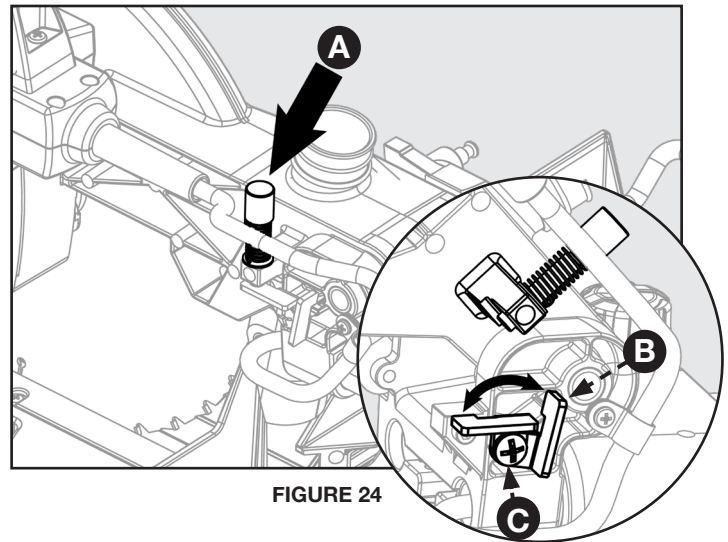


FIGURE 24

## FENCE EXTENSION ADJUSTMENT

This saw is equipped with an adjustable extension fence. To extend or retract the fence refer to Figure 25 and follow these instructions: Loosen the wing nut (E) by rotating counterclockwise and slide the fence (D) into the desired position. Make sure to re-tighten wing nut (E) by rotating clockwise.

**⚠ DANGER:** Always check to make sure wing nut (E) is tightened before making a cut. Failure to do so may result in injury.

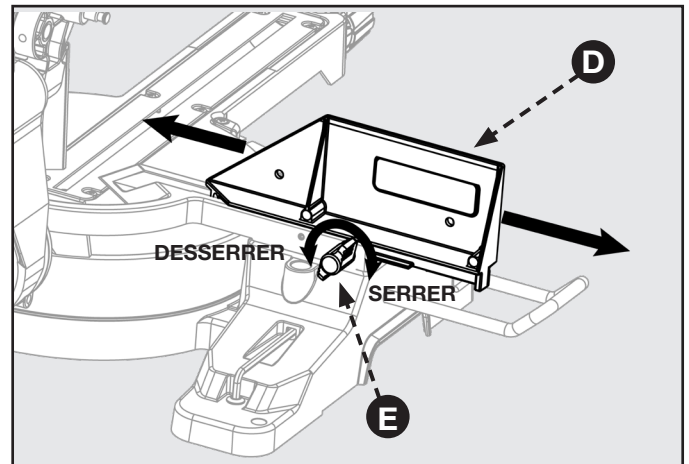


FIGURE 25

## LASER ADJUSTMENT

This saw is equipped with an adjustable laser which projects a red line onto the work piece surface, see Figure 26. Refer to the "Using Your Laser Guide" section on page 13 for more information on how to operate laser. This section will instruct you how to adjust the laser alignment for more accurate cuts.

**⚠ WARNING:**

- Avoid direct eye exposure to laser beam or reflection. Intense or prolonged exposure to laser radiation could permanently damage your eyes. Do not project or reflect the laser into anyone's eyes, including your own.
- **Caution** -- use of controls or adjustments or performance of procedures other than those specified herein may result in hazardous radiation exposure.
- Use or modification of the laser guide for anything other than its designed purpose may result in hazardous radiation exposure.

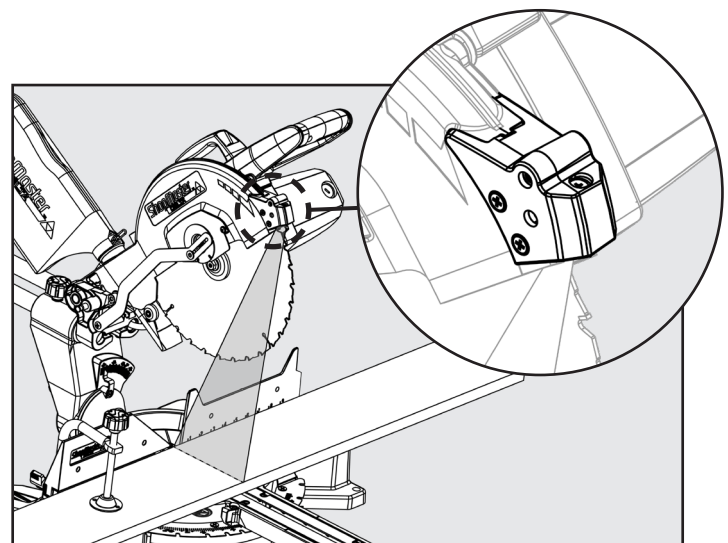


FIGURE 26

# ADJUSTMENTS

## LASER PARALLEL ADJUSTMENT

If you notice the laser line is not perfectly parallel with the saw blade refer to Figure 27 and follow these instructions: using a Phillips head screwdriver turn screw (A) until the laser line is parallel with the saw blade.

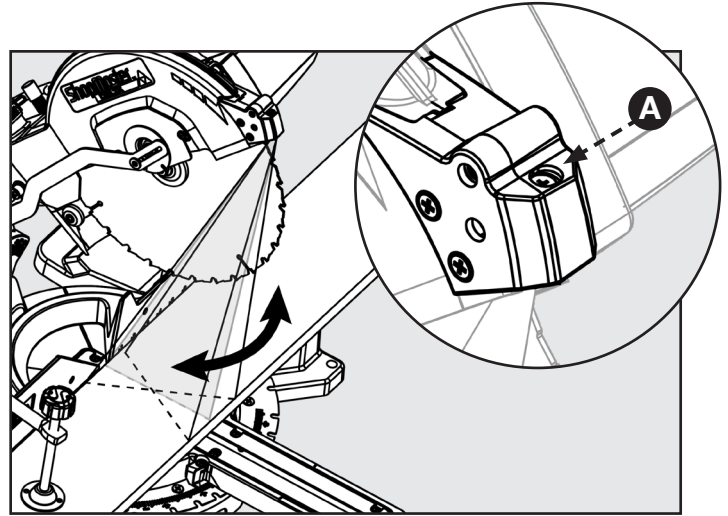


FIGURE 27

## LASER VERTICAL ANGLE ADJUSTMENT

If you notice the laser line does not remain parallel to the blade as the saw head is lowered to make a cut refer to Figure 28 and follow these instructions: using a Phillips head screwdriver turn the screw (B) to adjust the vertical angle of the laser.

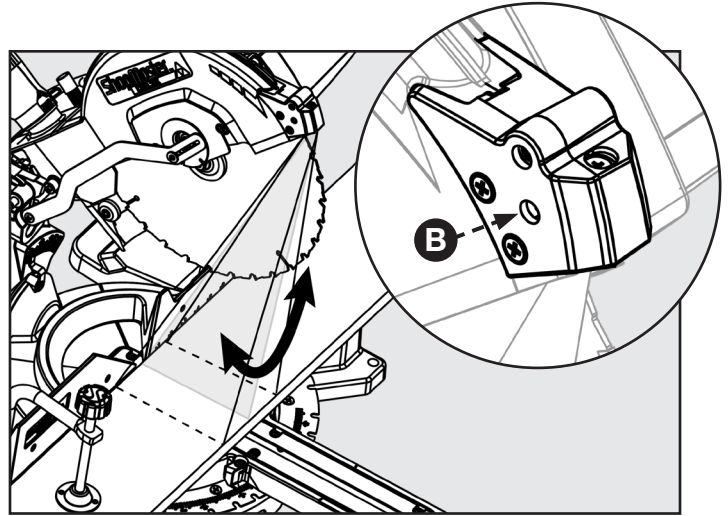


FIGURE 28

## LASER OFFSET ADJUSTMENT

If you notice the laser line is offset from the actual cut line refer to Figure 29 and follow these instructions: using a Phillips head screwdriver turn the screw (C) to adjust the offset.

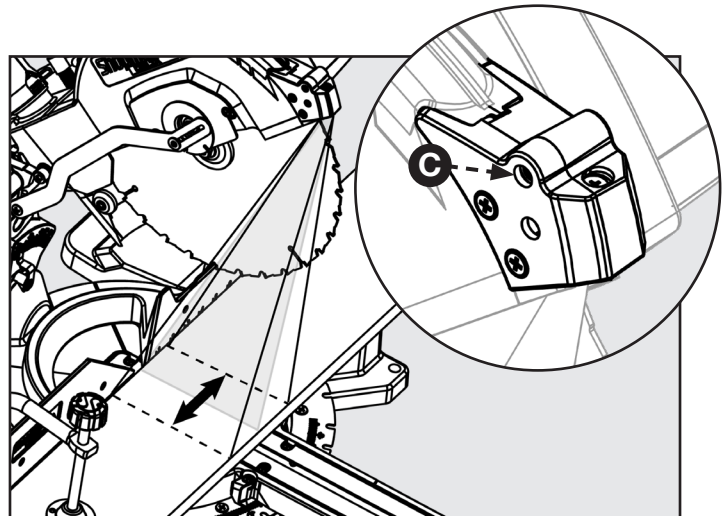


FIGURE 29

# MAINTENANCE

**▲ WARNING:** To reduce the risk of injury, turn unit off and disconnect it from power source before cleaning or servicing, before installing and removing accessories, before adjusting when making repairs. An accidental start-up can cause injury.

## KEEP MACHINE CLEAN

Periodically blow out all air passages with dry compressed air. All plastic parts should be cleaned with a soft damp cloth. NEVER use solvents to clean plastic parts. They could possibly dissolve or otherwise damage the material. Wear certified safety equipment for eye, hearing and respiratory protection while using compressed air.

Empty dust bag frequently.

**▲ WARNING:** When servicing, use only identical replacement parts. Use of any other parts may create a hazard or cause product damage.

## GENERAL MAINTENANCE

Avoid using solvents when cleaning plastic parts. Most plastics are susceptible to damage from various types of commercial solvents and may be damaged by their use.

## BRUSH REPLACEMENT

The motor on this saw features externally accessible brush assemblies that should be periodically checked for wear. If the brushes need to be replaced, refer to Figure 30 and proceed as follows:

1. Unplug the saw.

**▲ WARNING:** Failure to unplug the saw could result in accidental starting causing serious personal injury.

2. Using a screwdriver, carefully remove the brush cap (A).

**NOTE:** Remove the cap slowly. The brush assembly is spring-loaded and will pop out once the cap is removed.

3. Remove brush assembly (B).
4. Inspect both brushes. If either has less than 1/4 in. length of carbon remaining, both brushes should be replaced.

**NOTE:** Do not replace one side without replacing the other.

5. Insert both brushes into the brush tube (C), making sure the curvature of the brushes matches curvature of motor. Brush assembly should move freely within the tube.
6. Carefully replace the brush cap, ensuring that it is not cross-threaded.
7. Tighten brush cap securely. Do not over-tighten.

Use clean cloths to remove dirt, dust, oil, grease, etc.

**▲ WARNING:** Do not at any time let brake fluids, gasoline, petroleum-based products, penetrating oils, etc., come in contact with plastic parts. Chemicals can damage, weaken or destroy plastic which may result in serious personal injury.

Electric tools used on fiberglass material, wallboard, spackling compounds, or plaster are subject to accelerated wear and possible premature failure because the fiberglass chips and grindings are highly abrasive to bearings, brushes, commutator, etc. Consequently, we do not recommend using this tool for extended work on these types of materials. However, if you do work with any of these materials, it is extremely important to clean the tool using compressed air.

## LUBRICATION

All of the bearings in this tool are lubricated with a sufficient amount of high-grade lubricant for the life of the unit under normal operating conditions. Therefore, no further lubrication is required.

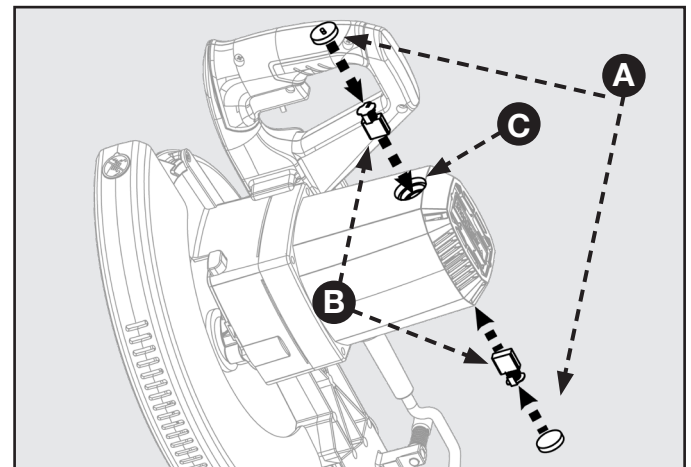


FIGURE 30

# TROUBLESHOOTING

## FAILURE TO START

If your machine fails to start, check to make sure the prongs on the cord plug are making good contact in the receptacle. Also, check for blown fuses or open circuit breakers in your power supply line. If the saw still does not start, call Company's Customer Care Center at 1-800-223-7278.

# ACCESSORIES

For accessories please visit our Web Site for an on-line catalog or for the name or your nearest supplier.

**⚠ WARNING:** Since accessories other than those offered by DELTA® have not been tested with this product, use of such accessories could be hazardous. For safest operation, only SHOPMASTER recommended accessories should be used with this product.

## PARTS, SERVICE OR WARRANTY ASSISTANCE

All SHOPMASTER Machines and accessories are manufactured to high quality standards and are serviced by a network of an Authorized Service Centers. To obtain additional information regarding your product or to obtain parts, service, warranty assistance, or the location of the nearest service center, please call 1-800-223-7278.

### Three Year Limited Warranty

- 1. WHAT IS COVERED.** Delta Power Equipment Corporation (“Company”) will, at its option, repair or replace this product, if purchased at retail in the United States or Canada and the product, with normal use, has proven to be defective in workmanship or material, subject to the conditions stated in this Limited Warranty. This Limited Warranty covers only materials and labor. All transportation costs are Customer’s responsibility.
- 2. WARRANTY PERIOD.** All warranty claims must be submitted within three years from the date of retail purchase. For all service parts and factory refurbished products, the warranty period is 180 days.
- 3. HOW TO OBTAIN SERVICE.** To obtain warranty service, you must return the defective product, at your expense, to a service center authorized by Company to perform warranty service (a “Company Authorized Service Center”) within the applicable warranty period, together with acceptable proof of purchase, such as your original receipt bearing the date of purchase, or product registration number. Company reserves the right to restrict warranty claim service to the country where the purchase was made and/or to charge for the cost to export service parts or provide warranty service in a different country. For this purpose, on-line purchases are deemed made in the United States. For the location of your nearest Company Authorized Service Center, call Company’s Customer Care Center at (800) 223-7278.
- 4. EXCLUSIONS.**
  - Company does not offer any warranty on products purchased in used or damaged condition.
  - Company does not warrant any products purchased outside the United States or Canada
  - Company will not be responsible for any damage that has resulted from normal wear, misuse, abuse or any repair or alteration made by anyone other than a Company Authorized Service Center or a designated representative of Company’s Customer Care Center.
  - All IMPLIED WARRANTIES are expressly limited to the warranty period identified above.
  - Company will not be liable for INCIDENTAL OR CONSEQUENTIAL damages.
  - This limited warranty is Company’s sole warranty and sets forth the customer’s exclusive remedy with respect to defective products; all other warranties, express or implied, whether of merchantability, fitness for purpose, or otherwise, are expressly disclaimed by Company, except as expressly stated in this warranty statement.

Some states do not allow the exclusion or limitation of incidental or consequential damages, or the limitation of implied warranties, so the above limitations or exclusions may not apply to you. This warranty gives you specific legal rights and you may have other rights which vary in certain states or provinces. For further details of warranty coverage and warranty repair information, call (800) 223-7278. To register your products on-line, we encourage you to visit our website and register for a FREE DELTA® Member Account at <http://www.deltamachinery.com/register>.

**LATIN AMERICA:** This warranty does not apply to products sold in Latin America. For products sold in Latin America, call the local company or see website for warranty information.

## REPLACEMENT PARTS

The only user replaceable parts on this tool are:

- 1) Saw Blade**
- 2) Motor Brushes**

All other parts not listed above must be replaced by an authorized DELTA® agent. Use only identical replacement parts. For a parts list or to order parts, visit our website at [www.DeltaMachinery.com/service](http://www.DeltaMachinery.com/service). You can also order parts from your nearest Authorized Warranty Service Center or by calling Technical Service Manager at 1-800-223-7278 to receive personalized support from one of our highly-trained representatives.

## FREE WARNING LABEL REPLACEMENT

If your warning labels become illegible or are missing, call 1-800-223-7278 for a free replacement.

## SERVICE AND REPAIRS

All quality tools will eventually require servicing and/or replacement of parts. For information about Delta Power Equipment Corporation, its factory-owned branches, or to locate an Authorized Warranty Service Center, visit our website at [www.DeltaMachinery.com/service](http://www.DeltaMachinery.com/service) or call Customer Care at 1-800-223-7278. All repairs made by our service centers are fully guaranteed against defective material and workmanship. We cannot guarantee repairs made or attempted by others. By calling this number you can also find answers to most frequently asked questions 24 hours/day. You can also write to us for information at Delta Power Equipment Corporation, 2651 New Cut Road, Spartanburg, SC 29303 - Attention: Technical Service Manager. Be sure to indicate all of the information shown on the nameplate of your saw (model number, type, serial number, date code, etc.).



# ShopMaster

DELTA®

## 12-INCH SLIDING COMPOUND MITER SAW

Scie a onglet Combine  
304.8 mm

Sierra ingletadora  
compuesta de 12  
pulgadas

Français (23)

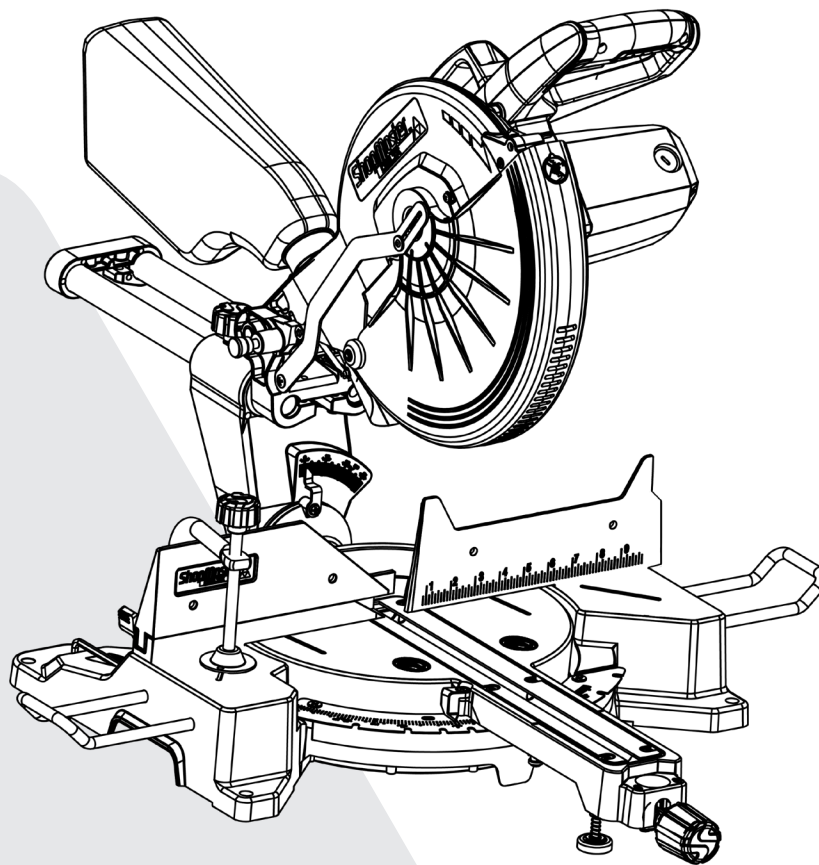
Español (46)

[www.DeltaMachinery.com](http://www.DeltaMachinery.com)

**Instruction Manual**

Manual d'utilisation

Manual de instrucciones



**S26-272L**

**⚠ AVERTISSEMENT :**

Pour réduire les risques de blessure grave, veuillez lire attentivement et respecter toutes les mises en garde et directives dans ce guide et sur le produit.

CONSERVEZ CE GUIDE PRÈS DE VOTRE PRODUIT POUR FACILITER LA CONSULTATION ET POUR INFORMER LES AUTRES.





# TABLE DES MATIÈRES

CONSIGNES IMPORTANTES DE SÉCURITÉ .....	24	Coupes en biseau.....	37
RÈGLES DE SÉCURITÉ GÉNÉRALES POUR LES OUTILS ÉLECTRIQUES .....	25	Coupe d'onglet combinée.....	37
RÈGLES DE SÉCURITÉ DE LA SCIE À ONGLETS.....	26	Conseils pour coupe de moulure couronnée.....	37
AVERTISSEMENT DE LA PROPOSITION 65 .....	27	Coupe de matériau déformé .....	38
BRANCHEMENTS D'ALIMENTATION .....	27	Serrage des grandes pièces .....	39
FONCTIONS.....	28	Soutien des longues pièces .....	39
DÉBALLAGE .....	30	<b>RÉGLAGES .....</b>	<b>39</b>
MONTAGE ET TRANSPORT.....	31	Pivot de bras.....	39
Préparatifs pour le transport .....	31	VIS DE BUTÉE FIXE .....	40
Goupille de verrouillage du bras de scie.....	32	Pivot pour coupe biseautée .....	40
Base et poignées de transport.....	31	Guide laser.....	40
Montage de la scie sur une surface stable.....	31	RÉGLAGE DE LA BUTÉE DE PROFONDEUR.....	41
<b>MONTAGE.....</b>	<b>32</b>	RÉGLAGE DE LA RALLONGE DU GUIDE.....	41
Rallonges de support .....	32	Réglage du laser.....	41
Fixer l'étai .....	32	Réglage du parallèle du laser.....	42
Installer le sac à poussière .....	32	Réglage de l'angle vertical du laser .....	42
<b>PRÉPARER VOTRE SCIE POUR L'UTILISATION .....</b>	<b>33</b>	Réglage du DÉPORT du laser.....	42
Installer/remplacer la lame .....	33	<b>ENTRETIEN.....</b>	<b>43</b>
Aligner la lame à la table .....	34	Remplacement des brosses .....	43
Utilisation du guide laser .....	35	<b>DÉPANNAGE.....</b>	<b>43</b>
<b>UTILISATION.....</b>	<b>36</b>	<b>ACCESSOIRES .....</b>	<b>44</b>
Verrouillage du commutateurs .....	36	<b>ASSISTANCE POUR PIÈCES, SERVICES OU GARANTIE.....</b>	<b>44</b>
Faire une coupe en glissière.....	37		

## CONSIGNES IMPORTANTES DE SÉCURITÉ

**⚠ AVERTISSEMENT :** LISEZ ATTENTIVEMENT LES AVERTISSEMENTS ET LES INSTRUCTIONS SUR VOTRE PRODUIT DANS CE GUIDE ET SUIVEZ-LES TOUS. CONSERVEZ CE GUIDE. ASSUREZ-VOUS QUE TOUS LES UTILISATEURS SONT FAMILIERS AVEC LES AVERTISSEMENTS ET INSTRUCTIONS AVANT D'UTILISER L'OUTIL. Un mauvais fonctionnement, un mauvais entretien ou une modification des outils ou du matériel peuvent entraîner des blessures graves et/ou des dommages matériels.



## LOGOS DE SÉCURITÉ

Ce guide contient des informations qu'il est important que vous connaissiez et compreniez. Ces informations concernent VOTRE SÉCURITÉ et la PRÉVENTION DE PROBLÈMES AVEC L'ÉQUIPEMENT. Pour vous aider à reconnaître ces informations, nous utilisons les symboles ci-dessous. Veuillez lire le guide et prêter attention à ces sections.

**⚠ DANGER:** Indique une situation dangereuse imminente qui, si elle n'est pas évitée, entraînera la mort ou des blessures graves.

**⚠ AVERTISSEMENT :** Indique une situation dangereuse potentielle qui, si elle n'est pas évitée, pourrait entraîner la mort ou des blessures graves.

**⚠ MISE EN GARDE :** Indique une situation dangereuse potentielle qui, si elle n'est pas évitée, pourrait entraîner des blessures mineures ou modérées.

**MISE EN GARDE :** L'utilisation sans le symbole d'alerte de sécurité indique une situation potentiellement dangereuse qui, si elle n'est pas évitée, pourrait entraîner des dommages matériels.



Ne placez pas les outils électriques sous la pluie ou dans un environnement humide.

Des informations supplémentaires concernant l'utilisation appropriée et sécuritaire de cet outil sont disponibles dans les sources suivantes :

- Power Tool Institute, 1300 Sumner Avenue, Cleveland, OH 44115-2851 ou en ligne sur [www.powertoolinstitute.com](http://www.powertoolinstitute.com)
- National Safety Council, 1121 Spring Lake Drive, Itasca, IL 60143-3201
- American National Standards Institute, 25 West 43 rd Street, 4th floor, New York, NY 10036 [www.ansi.org](http://www.ansi.org) — exigences de sécurité ANSI 01.1 pour machines à bois
- Ministère du Travail du gouvernement américain, [www.osha.gov](http://www.osha.gov)

# RÈGLES DE SÉCURITÉ GÉNÉRALES POUR LES OUTILS ÉLECTRIQUES

## ⚠ AVERTISSEMENT :

**Lisez tous les avertissements, instructions, illustrations et spécifications fournis avec cet outil électrique.** Le non-respect de toutes les instructions citées ci-dessous peut causer une décharge électrique, un incendie ou une blessure grave.

**Conservez tous les avertissements et instructions pour consultation future.**

Le terme « outil électrique » dans les avertissements désigne votre outil électrique qui fonctionne avec l'alimentation du secteur (avec fil) ou celui qui fonctionne avec une PILE (sans fil).

## 1. Sécurité de l'espace de travail

- Tenez votre espace de travail propre et bien éclairé.** Un endroit encombré et mal éclairé provoque les accidents
- Ne faites pas fonctionner l'outil électrique en présence de risque d'explosion; par exemple, dans le cas à proximité de liquides, gaz ou poussières inflammables.** Les outils électriques génèrent des étincelles susceptibles d'enflammer le liquide, les poussières ou les vapeurs.
- Ne permettez pas à des enfants ou des observateurs de rester proches lorsque vous faites fonctionner un outil électrique.** Les distractions peuvent vous faire perdre le contrôle.

## 2. Sécurité électrique

- Les fiches des outils électriques doivent correspondre à la prise de courant.** Ne jamais modifier la fiche de quelque façon que ce soit. Ne pas utiliser d'adaptateur de fiche avec des outils électriques conçus pour être mis à la terre. Les fiches non modifiées et les prises correspondantes réduiront le risque de décharge électrique.
- Évitez de toucher à des surfaces mises à terre telles que les tuyaux, les calorifères, les cuisinières et les réfrigérateurs.** Le risque de décharges électriques est plus grand si votre corps est en contact avec une mise à la terre.
- Ne placez pas les outils électriques sous la pluie ou dans un environnement humide.** L'eau qui s'infiltré dans l'outil électrique augmentera le risque de décharges électriques.
- N'abîmez pas le cordon. N'utilisez jamais le cordon pour transporter, tirer ou débrancher l'outil électrique.** Éloignez le cordon de toute source de chaleur, de bordures coupantes, de l'huile et de toute pièce mobile. Un cordon endommagé ou entremêlé augmente les risques de décharges électriques.
- Si vous faites fonctionner l'outil électrique à l'extérieur, utilisez une rallonge conçue pour cette fin.** L'utilisation d'un cordon conçu pour l'extérieur réduit les risques de décharges électriques.
- Si l'utilisation d'un outil électrique dans un endroit humide est inévitable, utiliser une alimentation protégée par un DISPOSITIF DIFFÉRENTIEL À COURANT RÉSIDUEL (DDR).** L'utilisation d'un DDR réduit le risque de décharge électrique.

## 3) Sécurité personnelle

- Restez vigilant et attentif à ce que vous faites et faites preuve de bon jugement lorsque vous utilisez un outil électrique. N'utilisez pas l'outil électrique si vous êtes fatigué ou sous l'influence de drogues, d'alcool ou de médicaments.** Un moment d'inattention lors de l'utilisation d'outils électriques peut entraîner des blessures graves.
- Utilisez des équipements de protection. Portez toujours des lunettes de sécurité.** Les équipements de protection tels que les masques antipoussières, les chaussures antidérapantes, les casques de sécurité et les bouchons pour les oreilles, réduisent les risques de blessures corporelles.
- Empêcher tout démarrage non voulu. S'assurer que l'interrupteur est en position d'arrêt avant de brancher l'outil à la source d'alimentation et/ou au bloc-pile, de le prendre ou de le transporter.** Déplacer des outils électriques avec le doigt sur l'interrupteur ou les mettre sous tension avec l'interrupteur en marche peut entraîner des accidents.
- Retirez toute clé de serrage ou de réglage avant de mettre l'outil électrique sous tension.** Une clé de serrage ou de réglage attachée à une pièce rotative peut entraîner des blessures corporelles.
- Ne vous étirez pas. Gardez votre équilibre en tout temps.** Ceci permet un meilleur contrôle de l'outil électrique dans le cas d'un événement inattendu.
- Portez des vêtements appropriés. Ne portez pas des vêtements amples ou des bijoux. Maintenez les cheveux, les vêtements et les bijoux loin des pièces rotatives.** Les vêtements amples, les bijoux et les cheveux longs peuvent être pris dans les pièces rotatives.
- Veillez à ce que les dispositifs fournis pour la récupération et la collecte de poussières soient bien connectés et utilisés adéquatement.** L'utilisation d'un système de collecte de poussière réduit les dangers associés.
- L'utilisation fréquente de l'outil ne doit pas faire place à la complaisance et au non-respect des principes de sécurité.** La négligence en une fraction de seconde peut causer des blessures graves.
- Ne jamais reposer sur l'outil.** Des blessures graves peuvent survenir si l'outil est pointé ou si l'outil de coupe est contacté de manière non intentionnelle.

## 4) Fonctionnement et entretien de l'outil électrique

- Ne forcez pas l'outil électrique. Utilisez l'outil électrique approprié pour votre application.** L'outil électrique approprié fera le travail plus efficacement et de manière plus sécuritaire au rythme pour lequel il est conçu.
- N'utilisez pas l'outil électrique si l'interrupteur ne fonctionne plus.** Tout outil électrique dont l'interrupteur ne fonctionne plus devient dangereux et doit être réparé immédiatement.
- Débrancher la fiche de la source d'alimentation et/ou retirer le bloc-pile, s'il est détachable, de l'outil électrique avant d'effectuer des réglages, de changer ses accessoires ou de le ranger.** De telles mesures de sécurité préventives réduisent le risque de démarrage accidentel de l'outil électrique.
- Gardez les outils électriques hors tension loin de la portée des enfants et ne permettez pas à des personnes qui ne connaissent pas l'outil électrique ou les instructions présentes de faire fonctionner l'outil.**

# RÈGLES DE SÉCURITÉ GÉNÉRALES POUR LES OUTILS ÉLECTRIQUES

Les outils électriques sont dangereux entre les mains d'une personne non formée.

- e. **Prenez soin des outils et leurs accessoires. Veillez à ce que les pièces rotatives ne soient pas désalignées et qu'elles ne se coincent pas, qu'aucune pièce n'est brisée ainsi que toute condition qui affecte le fonctionnement de l'outil électrique est absente. N'utilisez pas un outil électrique endommagé et faites-le réparer immédiatement.** Plusieurs accidents sont causés par des outils électriques mal entretenus.
- f. **Maintenez les outils de coupe bien aiguisés et propres.** Les outils de coupe bien entretenus avec des lames aiguisées sont moins susceptibles de coincer et sont plus faciles à manier.
- g. **Utilisez l'outil électrique, les mèches, les accessoires, etc. conformément aux présentes instructions en prenant en considération l'environnement et le travail à être effectué.** L'utilisation de l'outil électrique pour des fins autres que pour lesquelles il est conçu peut entraîner des situations dangereuses.
- h. **Veillez à garder les poignées et les surfaces de saisie sèches, propres et exemptes d'huile et de graisse.** Les poignées et les surfaces de saisie glissantes ne permettent pas de manipuler et de contrôler l'outil en toute sécurité dans des situations inattendues.

## 5) Entretien

- a. **Demandez à un technicien qualifié d'entretenir votre outil électrique en utilisant des pièces de rechange identiques.** Ceci assure le maintien de la sécurité de l'outil électrique.

# CONSIGNES DE SÉCURITÉ POUR LES SCIES À ONGLETS

## 1. Instructions de sécurité pour la scie à onglets

- a. **Les scies à onglets sont conçues pour couper le bois ou un matériel semblable et ne doivent pas être utilisées avec des meules à tronçonner abrasives pour découper des matériaux ferreux comme les barres, les tiges et les poteaux.** Les poussières abrasives provoquent le blocage des pièces mobiles telles que le protège-lame inférieur. Les étincelles générées par une découpe abrasive brûleront le protège-lame inférieur, la garniture du trait de scie et les pièces en plastique.
- b. **Utilisez un étau pour fixer la pièce lorsque cela est possible. Si vous soutenez la pièce avec la main, vous devez toujours garder vos mains à une distance minimale de 100 mm de chaque côté de la lame. N'utilisez pas la scie pour couper des pièces trop petites qui ne peuvent pas être fixées avec un étau ou tenues avec les mains de façon sécuritaire.** Les risques de blessure augmentent si votre main est placée trop près de la lame de la scie.
- c. **La pièce à usiner doit être stationnaire et serrée ou maintenue contre le guide et la table. Ne pas pousser la pièce à usiner contre la lame ou couper « à main levée » de quelque manière que ce soit.** Les pièces non retenues ou en mouvement pourraient être projetées à grande vitesse, causant ainsi des blessures.
- d. **Poussez la scie à travers la pièce. Ne tirez pas la scie vers la pièce pour effectuer une coupe; soulevez la tête de la scie et tirez-la vers l'extérieur au-dessus de la pièce sans couper, démarrez le moteur, appuyez la tête vers le bas et poussez la scie à travers la pièce.** Une coupe en tirant fera sauter la lame de la scie par dessus la pièce pour la projeter violemment vers l'utilisateur.
- e. **Ne croisez jamais vos mains par-dessus la ligne de coupe que ce soit en avant ou en arrière de la lame.** Il est dangereux de tenir la pièce avec les « mains croisées », c'est-à-dire tenir la pièce avec la main droite du côté gauche de la lame et vice versa.
- f. **Ne vous étendez pas en arrière du guide avec vos mains à moins de 100 mm de la lame pour enlever des morceaux de bois ou pour toute autre raison lorsque la lame tourne.** La proximité de vos mains de la lame qui tourne peut ne pas être évidente et vous pouvez vous blesser gravement.
- g. **Vérifiez la pièce avant de la couper. Si la pièce est arquée ou gauchie, fixez-la avec l'étau avec l'extérieur de la**
- h. **courbature vers le guide. Veillez qu'il n'y ait jamais d'écart entre la pièce, le guide et la table le long de la ligne de coupe.** Les pièces déformées ou gauchies peuvent tourner ou dévier causant ainsi le coincement de la lame lors de la coupe. Aucun clou ou autre objet ne doit être présent sur la pièce.
- i. **N'utilisez pas la scie avant de dégager la table de tout outil, objet, morceau de bois, etc., sauf évidemment la pièce.** Les petits débris, morceaux de bois ou autres objets qui touchent à la lame tournante peuvent être projetés à grande vitesse.
- j. **Coupez une pièce à la fois.** Les pièces empilées ne peuvent pas être fixées adéquatement et peuvent coincer la lame ou dévier pendant la coupe.
- k. **Veillez à ce que la scie à onglets soit installée sur une surface solide et à niveau avant de l'utiliser.** Une surface solide et à niveau réduit le risque d'instabilité de la scie à onglets.
- l. **Planifiez votre travail. À chaque fois que vous modifiez l'angle du biseau ou de l'onglet, assurez-vous que le guide ajustable est réglé correctement pour soutenir la pièce et qu'il n'interférera pas avec la lame ou le système de protection.** Sans mettre l'outil sous tension et sans pièce sur la table, simulez un cycle complet de coupe afin de vous assurer qu'il n'y a aucune interférence ou danger associé.
- m. **Ayez à votre disposition un soutien adéquat tel que des rallonges de table ou un chevalet pour les pièces plus grandes que la surface de la table.** Les pièces plus grandes que la table de la scie à onglets peuvent basculer si elles ne sont pas soutenues de façon sécuritaire. Si la pièce bascule, elle peut soulever le protège-lame ou être projetée par la lame tournante.
- n. **La pièce coupée ne doit pas être coincée ou poussée de quelque façon que ce soit contre la lame tournante de la scie.** Si elle est confinée, c.-à-d. lors de l'utilisation de butées longitudinales, la pièce coupée pourrait se coincer contre la lame et être projetée violemment.
- o. **La pièce de découpe ne doit jamais être coincée ou appuyée contre la lame tournante de la scie.** Si confinée (c'est à dire, en utilisant les butées de longueur), la pièce de coupe peut être coincée par la lame et projetée violemment.

# RÈGLES DE SÉCURITÉ DE LA SCIE À ONGLETS

- p. **Utilisez toujours un étau ou des pinces conçus pour fixer des pièces rondes comme des bâtons ou des tuyaux.** Les bâtons ont tendance à tourner pendant la coupe causant ainsi la lame de « mordre » et d'attirer la pièce avec votre main vers la lame.
- q. **Laissez la lame atteindre sa pleine vitesse avant qu'elle touche la pièce.** Ceci réduira le risque de l'éjection de la pièce
- r. **Après avoir terminé la coupe, relâcher l'interrupteur, maintenir la tête de scie vers le bas et attendre que la lame s'arrête avant d'enlever la pièce coupée.** Il est dangereux de tendre la main près d'une lame encore en mouvement.
- s. **Tenir fermement la poignée pour effectuer une coupe incomplète ou pour relâcher l'interrupteur avant que la tête de la scie soit complètement en position basse.** Le freinage de la scie peut faire en sorte que la tête de la scie soit soudainement tirée vers le bas, ce qui entraînerait un risque de blessure.
- t. **Maintenez la poignée fermement lorsque vous effectuez une coupe incomplète ou lorsque vous relâchez le commutateur avant que la tête de la scie soit complètement en position.** L'action de freinage de la scie peut entraîner la scie soudainement vers le bas créant ainsi un risque de blessure.
- u. **La goupille de verrouillage de scie est destinée uniquement au stockage et au transport.** Cette scie ne doit jamais être verrouillée en position basse tout en faisant des coupures.
- v. **N'utilisez pas la scie sans garde en place.**

## PROPOSITION 65 DE L'ÉTAT DE LA CALIFORNIE

**⚠ AVERTISSEMENT :** Des poussières créées par le ponçage, sciage, meulage, perçage et autres opérations de construction contiennent des produits chimiques reconnus par l'État de la Californie pour causer le cancer, des malformations congénitales ou autres problèmes de reproduction. Quelques exemples de ces produits chimiques sont :

- Le plomb des peintures à base de plomb;
- La silice cristalline des briques et du ciment et autres produits de maçonnerie ainsi que
- l'arsenic et le chrome des bois traités chimiquement.

Votre risque à l'exposition de ces produits varie en fonction de la fréquence de ce type de travail. Pour réduire votre exposition à ces produits chimiques : travaillez dans un endroit bien aéré et utilisez des équipements de sécurité approuvés tels que des masques de protection spécialement conçus pour filtrer les particules microscopiques.

### CONSERVEZ CES DIRECTIVES.

Consultez souvent ces directives et utilisez-les pour informer les autres.  
Si vous prêtez cet appareil à quelqu'un, prêtez-lui aussi ces directives.

## BRANCHEMENTS D'ALIMENTATION

Un circuit électrique séparé doit être utilisé pour vos machines. Ce circuit ne doit pas être de calibre inférieur à un fil n° 12 et doit être protégé par un fusible à action différée de 15 ampères. Si une rallonge est utilisée, utilisez uniquement une rallonge à 3 fils, munie d'une fiche à 3 broches de type mise à la terre. Avant de brancher la machine à la ligne d'alimentation, assurez-vous que le commutateur est en position « ARRÊT » et que le courant électrique présente les mêmes caractéristiques que celles inscrites sur la machine. Toutes les connexions de la ligne doivent établir un bon contact. Le fonctionnement à basse tension endommage la machine.

**⚠ DANGER:** N'EXPOSEZ PAS LA MACHINE À LA PLUIE ET NE L'UTILISEZ PAS DANS DES CONDITIONS HUMIDES.

Votre machine est câblée pour 120 volts, courant alternatif de 60 Hz. Avant de raccorder la machine à la source d'alimentation, assurez-vous que l'interrupteur est en position « ARRÊT ».

## DOUBLE ISOLATION

Cette machine est à double isolation. La double isolation est un concept de sécurité pour les outils électriques qui élimine le besoin du cordon d'alimentation habituel à trois fils avec mise à la terre. Toutes les pièces métalliques exposées sont isolées des composants métalliques internes du moteur avec une isolation protectrice. Les outils à double isolation ne nécessitent pas d'être mis à la terre.

**⚠ AVERTISSEMENT :** Le système à double isolation est conçu pour protéger l'utilisateur contre les décharges électriques résultant d'une rupture de l'isolation interne de l'outil. Cependant, il est important d'observer les précautions normales pour éviter toute décharge électrique.

**REMARQUE :** L'entretien d'un outil à double isolation nécessite un soin extrême et une connaissance du système et doit être effectué par un agent DELTA® autorisé. Pour les réparations, nous suggérons de retourner l'outil à l'agent DELTA® autorisé le plus proche. Lors de la réparation, n'utiliser que des pièces de rechange identiques.

# BRANCHEMENTS D'ALIMENTATION

## BRANCHEMENT ÉLECTRIQUE

Cet outil dispose d'un moteur électrique de précision. Il doit être branché à une ALIMENTATION DE 120 VOLTS, 60 HZ, CA SEULEMENT (COURANT RÉSIDENTIEL NORMAL). Ne faites pas fonctionner cet outil sur courant continu (CC). Une chute de tension importante causerait une perte de puissance et le moteur surchaufferait. Si l'outil ne fonctionne pas lorsqu'il est branché sur une prise, vérifiez l'alimentation électrique.

## FICHES POLARISÉES

Pour réduire le risque d'électrocution, cet équipement possède une fiche polarisée (une lame est plus large que l'autre). Cette fiche ne s'insère dans une prise polarisée que d'une façon seulement. Si vous n'arrivez pas à insérer entièrement la fiche dans la prise, branchez-la dans l'autre sens. Si elle n'entre toujours pas, contactez un électricien qualifié pour installer une prise polarisée. Ne modifiez pas la fiche en aucune façon.

## RALLONGES

Lorsque vous utilisez un outil électrique à une distance considérable d'une source de puissance, n'oubliez pas d'utiliser une rallonge électrique qui a la capacité de fournir le courant que l'outil nécessite. Un cordon de calibre faible provoquera une chute de tension dans la ligne, entraînant une surchauffe et une perte d'alimentation. Utilisez le tableau pour déterminer le calibre minimal requis pour une rallonge. Utilisez uniquement les câbles à gaine ronde homologués par Underwriters Laboratories (UL). Lorsque vous travaillez à l'extérieur avec l'outil, utilisez une rallonge conçue pour une utilisation à l'extérieur. Ce type de cordon est désigné par un « WA » sur l'enveloppe du cordon.

**REMARQUE :** Avant d'utiliser une rallonge, inspectez-la pour vous assurer qu'il n'y a pas de fils lâches ou exposés et que l'isolation n'est pas coupée ou usée.

**⚠ AVERTISSEMENT :** Gardez la rallonge éloignée de la zone de travail. Placez le cordon de façon à ce qu'il ne soit pas coincé sur du bois, des outils ou d'autres obstructions pendant que vous travaillez avec un outil électrique. Ne pas le faire peut entraîner des blessures. Vérifiez les rallonges avant chaque utilisation. Remplacez toute rallonge endommagée immédiatement. N'utilisez jamais l'outil avec un cordon endommagé, car toucher la zone endommagée pourrait provoquer une décharge électrique entraînant des blessures graves.

\*\* Intensité nominale  
(au total sur la plaquette des données)

**12 A à 16 A**

Longueur du cordon	Calibre du fil
25 pi	14 AWG
50 pi	12 AWG

\*\* Utilisé sur un circuit de calibre 12 de 20 ampères  
REMARQUE : AWG = calibre américain des fils

# FONCTIONS

## SPÉCIFICATIONS DU PRODUIT

Capacité de coupe (Tailles nominales maximales du bois)	Onglet 0°/biseau 0° : 4 po x 14 po Onglet 45°/biseau 0° : 4 po x 10 po Onglet 0°/biseau 45° : 3 po x 14 po Onglet 45°/biseau 45° : 3 po x 10 po
Poids net	55 lb
Entrée	120 V ~, 60 Hz, 15 ampères
Lame Arbor trou	1 po
Diamètre extérieur	12 po
Vitesse sans charge	4 000 r/min (RPM)



# FONCTIONS

- A. Moteur
- B. Guide
- C. Passe-lame
- D. Manette de blocage de l'onglet
- E. Rallonges de support
- F. Jauge à onglets avec butées fixes
- G. Étau horizontal
- H. Base avec poignées de transport
- I. Trous de montage
- J. Clé embarquée
- K. Table de travail
- L. Manette de blocage du biseau
- M. Sac à poussières
- N. Protège-lames supérieur et inférieur
- O. Lame (non visible)
- P. Poignée de tête de scie
- Q. Verrouillage à broche
- R. Manette de blocage du glissement
- S. Frein électrique (non illustré)
- T. Laser
- U. Commutateur de sécurité électrique
- V. Interrupteur d'alimentation (non visible)

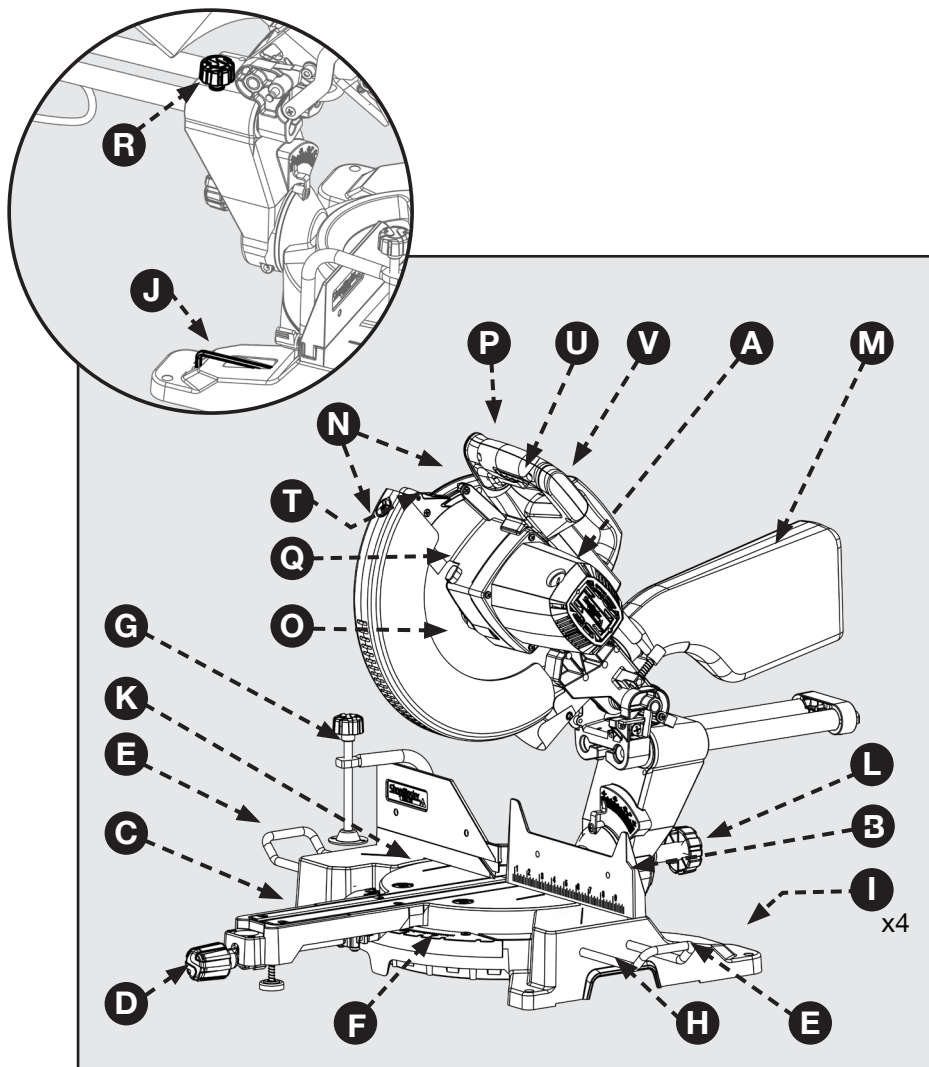


FIGURE 1

## APPRENEZ À CONNAÎTRE VOTRE SCIE À ONGLETS COMBINÉE

Reportez-vous à la figure 1.

Pour utiliser cet outil en toute sécurité, vous devez comprendre les informations fournies dans ce guide d'utilisation, ainsi que le projet que vous tentez. Avant d'utiliser ce produit, prenez le temps de vous familiariser avec toutes ses caractéristiques de fonctionnement et les règles de sécurité.

- A. **MOTEUR 15 AMPÈRES** : Cet outil est équipé d'un moteur puissant de 15 ampères avec tous les roulements à billes des brosses accessibles de l'extérieur pour faciliter l'entretien.
- B. **GUIDE AJUSTABLE** : Le guide de la scie à onglets sert d'appui pour la pièce lors de toutes les coupes. La longueur de la rallonge est ajustable.
- C. **PASSE-LAME** : Le passe-lame soutient la pièce et fournit une surface de travail sécuritaire.
- D. **VERROUILLAGE D'ONGLET** : La manette de blocage de l'onglet immobilise solidement la scie à l'angle d'onglet voulu.
- E. **RALLONGES DE SUPPORT** : Utilisez-les pour aider à soutenir les gros morceaux lorsque cela est nécessaire.
- F. **JAUGE À ONGLETS AVEC BUTÉES FIXES** : Des butées fixes sont disposées à 0°, 15°, 22,5°, 31,6° et 45°. Des butées de lame ont été fournies à la gauche

et la droite de la table à onglets.

- G. **ÉTAU HORIZONTAL** : L'étau horizontal aide à positionner la pièce et à la fixer au guide, assurant un fonctionnement plus sûr et des coupes plus précises.
- H. **BASE AVEC POIGNÉES DE TRANSPORT** : Utilisez les poignées de transport intégrées au socle pour un transport sûr et facile de la scie.
- I. **TROUS DE MONTAGE** : Ils vous permettent de fixer solidement l'outil sur une surface stable.
- J. **STOCKAGE DE CLÉ POUR LAME** : La clé pour lame incluse dispose d'un tournevis cruciforme à une extrémité et d'une clé hexagonale à l'autre. Utilisez la clé hexagonale pour installer ou enlever une lame et le tournevis cruciforme pour enlever ou desserrer des vis. Lorsqu'elle n'est pas utilisée, la clé peut être rangée dans la base de la scie.
- K. **TABLE DE TRAVAIL** : La grande table de travail robuste en aluminium moulé fournit une surface de travail plane et solide.
- L. **BLOCAGE DU BISEAU** : cette manette de blocage du biseau fixe la scie à l'angle souhaité pour les coupes en biseau. Il y a 2 vis de butée fixe au-dessous de la manette de verrouillage de biseau pour faire des réglages fins à 0° et 45°.
- M. **SAC À POUSSIÈRES** : Le sac à poussière inclus s'attache et se détache rapidement avec la pince intégrée pour un nettoyage facile.

## FONCTIONS

- N. **PROTÈGE-LAMES SUPÉRIEUR ET INFÉRIEUR** : Le protège-lame inférieur est fait de plastique résistant aux chocs, transparent, qui assure la protection de chaque côté de la lame. Il se rétracte automatiquement sur le protège-lame supérieur lorsque la scie est abaissée dans la pièce.
- O. **LAME DE 10 POUCES**: Une lame de 10 pouces est fournie avec la scie à onglets. Elle coupera des matériaux jusqu'à 3,5 po d'épaisseur ou 5,5 po de largeur, selon l'angle auquel la coupe est faite.
- P. **POIGNÉE DE TÊTE DE SCIE** : Utilisez cette poignée pour effectuer les coupes comme indiqué dans la section « Opération » de ce manuel. Cette poignée inclut également l'interrupteur d'alimentation pour l'activation de la lame de scie.
- Q. **BOUTON DE VERROUILLAGE À BROCHE** : Le bouton de verrouillage à broche verrouille la broche et empêche la lame de tourner pendant que la vis de la lame est retirée ou installée.
- R. **VERROUILLAGE PAR GLISSEMENT** : Cela permet à la tête de se déplacer de l'avant à l'arrière pour couper du matériel large, voire jusqu'à 12 po de large.
- S. **FREIN ÉLECTRIQUE** : Un frein électrique a été prévu afin d'arrêter plus rapidement la rotation de la lame une fois que le commutateur est relâché. (non illustré)
- T. **LASER** : Pour des coupes plus précises, un laser est inclus avec votre scie à onglets. Utilisé correctement, le laser simplifie et facilite la découpe précise.
- U. **COMMUTATEUR DE SÉCURITÉ ÉLECTRIQUE** : reduce el riesgo de seguridad de usuarios no autorizados
- V. **INTERRUPTEUR D'ALIMENTATION** : La lame de scie est activée par un interrupteur facile à utiliser. Lorsqu'elle n'est pas utilisée, la scie doit être débranchée de l'alimentation électrique et l'interrupteur doit être verrouillé en position d'arrêt à l'aide d'un cadenas (non inclus) inséré dans le trou de la gâchette. Un cadenas avec une manille de jusqu'à 5/16 po peut être utilisé. Le cadenas et la clé doivent être stockés dans des lieux distincts.

## DÉBALLAGE

- Vérifiez la boîte d'emballage et l'appareil pour tout dommage avant de déballer. Retirez soigneusement les matériaux d'emballage, les pièces et la machine du carton d'emballage. Vérifiez bien s'il y a des matériaux de protection autour du moteur et des pièces mobiles et retirez-les. Posez toutes les pièces sur une surface de travail propre.
- Comparez les éléments aux chiffres de l'inventaire et vérifiez que tous les éléments sont présents avant de jeter le carton d'expédition. Pour signaler des pièces manquantes ou endommagées, veuillez appeler le service à la clientèle au 1-800-223-7278. Avant de monter et d'utiliser cet outil, lisez ce guide pour vous familiariser avec le montage, l'entretien et les procédures de sécurité.
- S'il manque une pièce quelconque, n'essayez pas de brancher le cordon d'alimentation et de mettre l'appareil sous tension. La scie ne doit être mise sous tension que si toutes les pièces ont été trouvées et correctement assemblées.

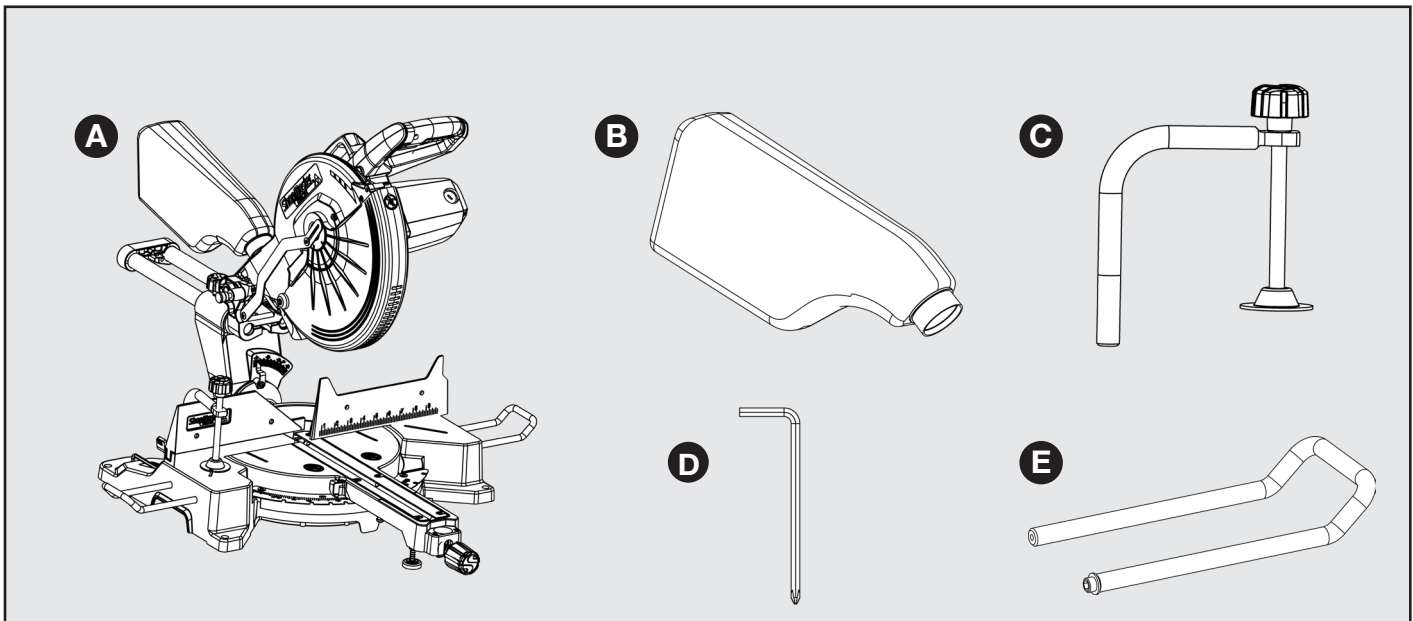


FIGURE 2

### DESCRIPTION DU CONTENU (QTÉ)

- A. Scie à onglets combinée coulissante de 12 po, SHOPMASTER S26-272L
- B. Sac à poussières (1)
- C. Étau (1)
- D. Clé pour lame (1)
- E. Rallonges de support (2)

# MONTAGE ET TRANSPORT

**⚠ WARNING:** Before moving/transporting your saw it is important to make sure all of the following steps have been followed to ensure a safe condition for transportation. Failure to do so can result in serious personal injury.

**⚠ WARNING:**

- Always turn the power off and unplug saw before transporting.
- Secure power cord to avoid any snags or hang ups during transportation.
- Always lift using the strength of your legs to lift saw; never use your back muscles to lift saw.
- Do not use power On/Off switch handle or power cord to lift your saw.
- Always place the saw onto a stable and level surface with clearance for handling and maneuvering.

## PRÉPARATIFS POUR LE TRANSPORT

### GOUPILLE DE VERROUILLAGE DU BRAS DE SCIE

1. La scie est livrée avec le bras attaché en position vers le bas, comme illustré à la figure 3. Pour libérer le bras, poussez-le vers le bas, coupez l'attache en plastique et sortez la goupille de verrouillage (A).
2. La goupille de verrouillage (A) sert uniquement au rangement et au transport de l'outil. La scie ne doit pas être en position verrouillée pendant les coupes.
3. Inspectez soigneusement l'outil pour vérifier qu'aucun dommage n'est survenu pendant l'expédition.
4. Ne jetez pas l'emballage jusqu'à ce que vous ayez soigneusement inspecté l'outil et vérifié qu'il fonctionne correctement.

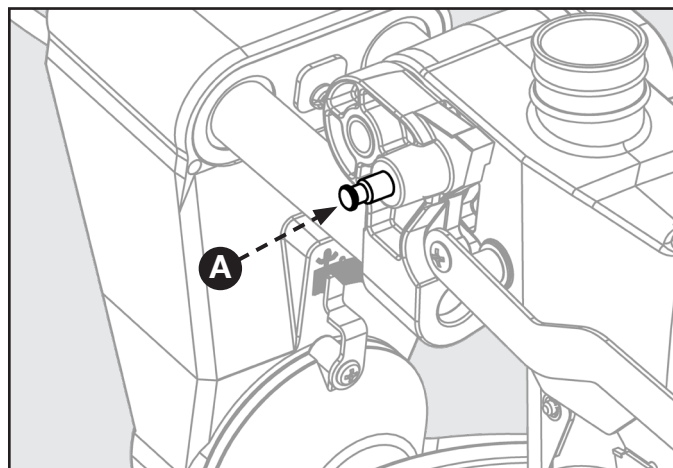


FIGURE 3

### BASE CON MANIJAS DE TRANSPORTE

Utilice las manijas de transporte que están ubicadas en la base para un transporte fácil y seguro de la sierra. Detallado en la Fig.4.

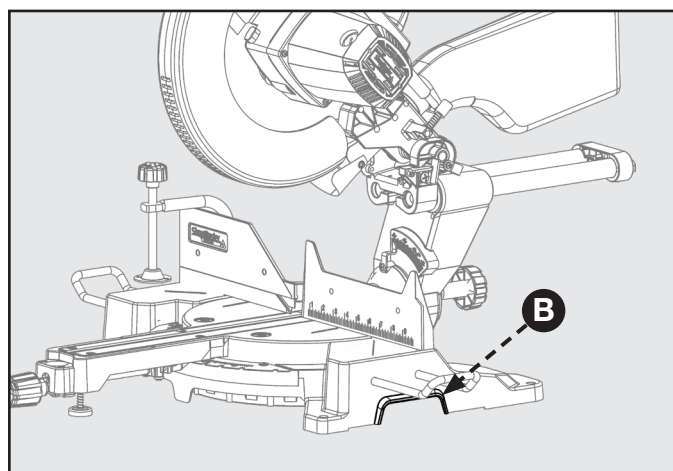


FIGURE 4

### MONTAGE DE LA SCIE SUR UNE SURFACE STABLE

**⚠ AVERTISSEMENT :** Pour assurer un fonctionnement sûr et précis, cette scie doit être montée sur une surface stable et plane comme un établi. Pour monter l'outil sur une surface stable, reportez-vous à la figure 5 et procédez comme suit :

1. Localisez les quatre trous de montage dans la base de la scie (E).
2. Fixez l'outil à la surface de montage à l'aide de boulons mécaniques de 3/8 de pouce de diamètre, de rondelles de frein et d'écrous hexagonaux (non inclus). Vérifiez que les boulons sont assez longs pour tenir compte de la base de la scie, des rondelles, des écrous hexagonaux et de l'épaisseur de l'établi.
3. Serrez solidement les quatre boulons.
4. Vérifiez que la scie est sécurisée avant l'opération.

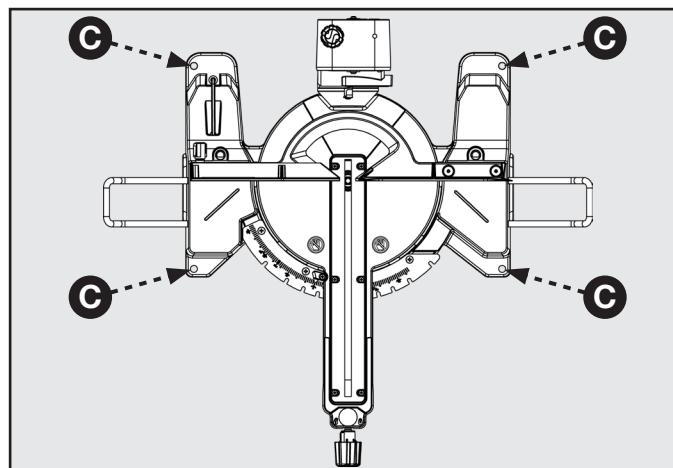


FIGURE 5

# MONTAGE

## ⚠ AVERTISSEMENT :

- N'essayez pas de modifier cet outil ou de créer des accessoires non recommandés pour cet outil. Toute modification de ce genre constitue une mauvaise utilisation et peut entraîner une situation dangereuse.
- Ne branchez pas l'outil sur l'alimentation avant que le montage ne soit terminé. Le non-respect de cette consigne peut entraîner un démarrage accidentel.
- Ne démarrez pas la scie à onglets sans vérifier s'il y a interférence entre la lame et le guide à onglets. La lame risque d'être endommagée si elle frappe le guide à onglets pendant le fonctionnement de la scie.
- La scie peut basculer si la tête de la scie est libérée soudainement et que la scie n'est pas fixée à la surface de travail. Fixez TOUJOURS cette scie sur une surface de travail stable avant toute utilisation.
- Si des pièces sont endommagées ou manquantes, n'utilisez pas cet outil tant que les pièces n'ont pas été remplacées. Veuillez appeler le service à la clientèle au 1-800-223-7278, pour obtenir des instructions.

## RALLONGES DE SUPPORT

Voir figure 6.

Des rallonges de table ont été fournies à la gauche et la droite de la scie.

Pour installer les rallonges de table :

- Retirez la vis à tête hexagonale (C) à l'extrémité de la rallonge (A).
- Insérez les extrémités des rallonges (A) dans les trous dans les côtés de la base (B).
- Vissez la vis à tête hexagonale (C) à l'extrémité de la rallonge (A). Serrez la vis.
- Répétez pour l'autre rallonge.
- **⚠ WARNING:** Toujours fixer la pièce à usiner et utiliser des rallonges de support pendant le travail.

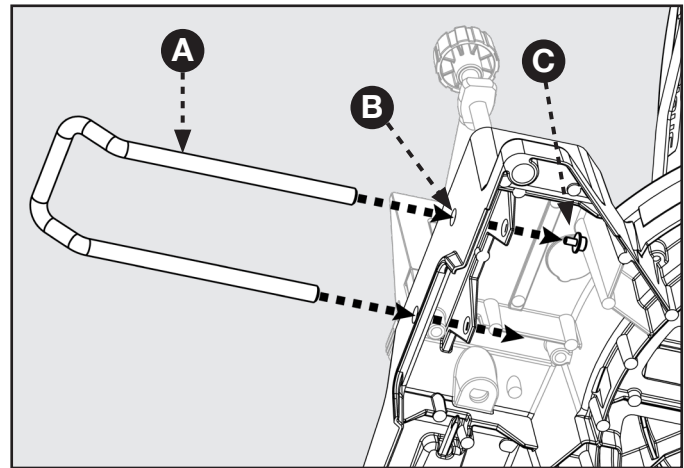


FIGURE 6

## FIXER L'ÉTAU

L'étau horizontal maintient la pièce contre le guide pour assurer une plus grande stabilité et il empêche la pièce de se déplacer vers la lame de scie.

Pour installer l'étau, reportez-vous à la figure 7 et procédez comme suit :

1. Placez la tige de l'étau (D) dans un trou ou l'autre (E) sur la base de la table à onglets.
2. Tournez la manette F sur l'étau dans le sens horaire pour l'installation ou dans le sens antihoraire pour le retrait comme vous le souhaitez.

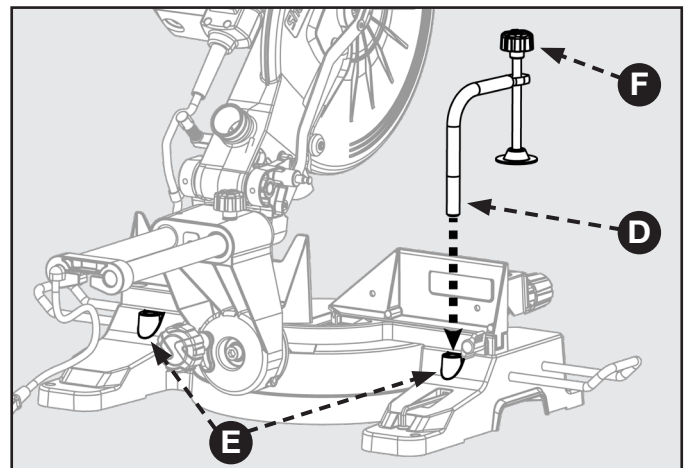


FIGURE 7

## INSTALLER LE SAC À POUSSIÈRE

L'outil comprend un sac à poussière qui s'attache par-dessus l'orifice d'échappement sur le protège-lame supérieur. Reportez-vous à la figure 8.

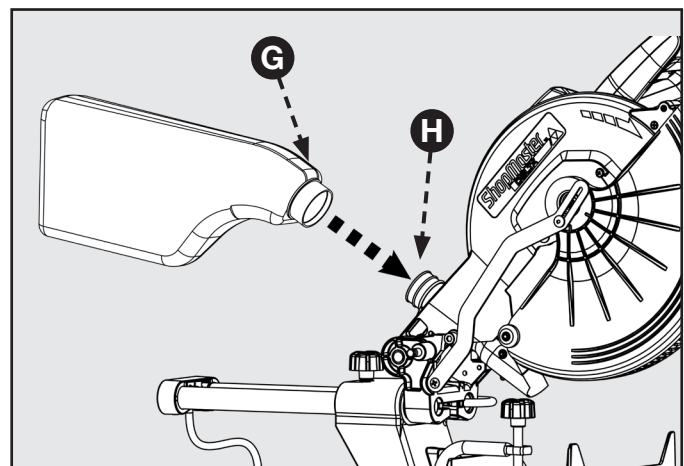


FIGURE 8



# PRÉPARER VOTRE SCIE POUR L'UTILISATION

## INSTALLER/REEMPLACER LA LAME

**⚠ AVERTISSEMENT :** Selon le marquage sur la scie, une lame de 10 pouces est la capacité maximale de lame pour la scie. Des lames plus grandes entreraient en contact avec les protège-lames. Utiliser uniquement des lames avec une puissance nominale de 5 500 tr/min ou plus. N'utiliser que des lames dont la largeur du trait de scie est de 2,7 mm ou moins.

1. Assurez-vous que la scie est débranchée.
2. Soulevez le bras de la scie à la position verticale.
3. Tournez le protège-lame inférieur (A) vers le haut. Desserrez légèrement la vis du couvercle du boulon de la lame (B) jusqu'à ce que vous puissiez déplacer le couvercle du boulon de la lame (C) vers le haut pour exposer le boulon de la lame (D).

Reportez-vous à la figure 10.

4. Appuyez sur le bouton de verrouillage à broche (E).
5. Si vous remplacez la lame, faites tourner la vieille lame avec précaution jusqu'à ce que la broche s'enclenche.
6. À l'aide de la clé pour lame fournie, retirez le boulon de la lame (D) en le tournant dans le sens horaire.

**REMARQUE :** Le boulon de la lame a un filetage gauche.

7. Ne retirez que la rondelle de lame extérieure (F) et la lame (G), laissant la rondelle de lame intérieure sur la broche.

**⚠ AVERTISSEMENT :** Si la rondelle de lame intérieure a été enlevée, remplacez-la avant de placer la lame sur la broche. Sinon, cela pourrait provoquer un accident, car la lame ne pourra pas être serrée correctement.

8. Insérez soigneusement la lame de scie à l'intérieur du protège-lame et guidez-la sur la broche, en vous assurant que les dents de la lame sont tournées vers le bas à l'avant de la scie.
9. Alignez les parties plates du double « D » de la rondelle de lame avec (F) les parties plates de la broche et installez la rondelle sur la broche.
10. Verrouillez la broche en appuyant sur le bouton de verrouillage de la broche. Vissez le boulon de la lame (D), sans oublier de l'enfiler dans le sens antihoraire. Fixez le boulon de la lame à l'aide de la clé pour lame fournie.

**⚠ AVERTISSEMENT :** Installez toujours la lame avec les dents de la lame et la flèche sur le côté de la lame pointant vers le bas à l'avant de la scie. Le sens de la rotation de la lame est également estampillé avec une flèche sur le protège-lame supérieur.

11. Remettez le couvercle du boulon de la lame en place et serrez la vis du couvercle du boulon de la lame de façon sécuritaire. Abaissez le protège-lame.
12. Soulevez et abaissez le bras de la scie pour vous assurer que le bras et le protège-lame se déplacent librement.

**⚠ AVERTISSEMENT :** Assurez-vous que le bouton de verrouillage de la broche n'est pas engagé avant de reconnecter la scie à la source d'alimentation. N'appuyez jamais sur le bouton de verrouillage de la broche pendant que la lame tourne.

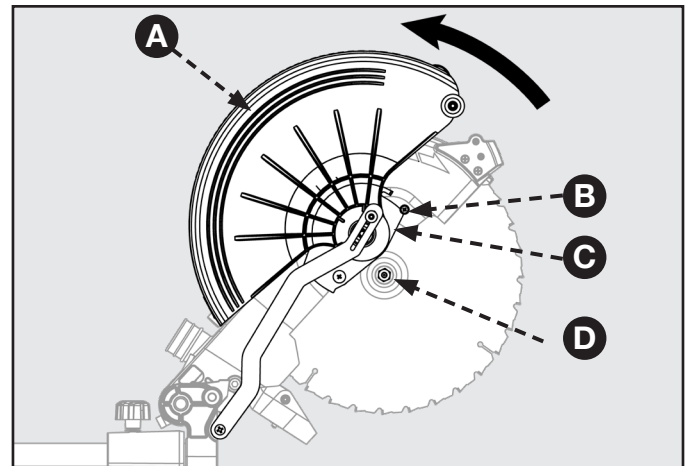


FIGURE 9

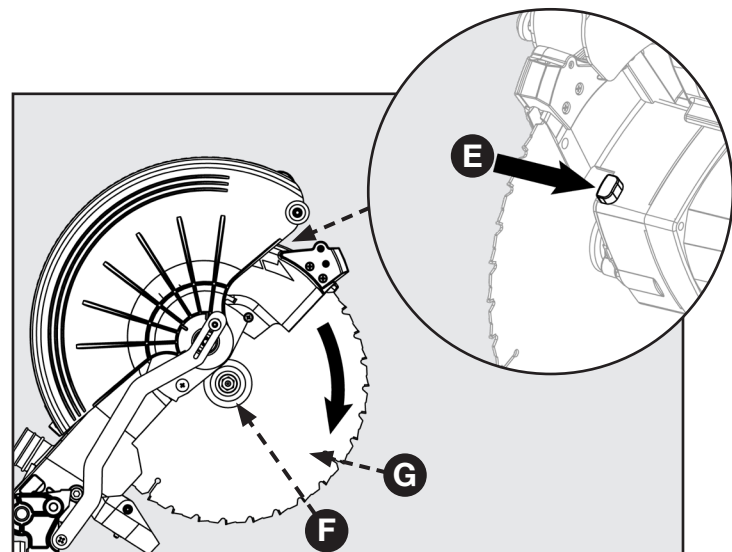


FIGURE 10

**REMARQUE :** Certaines illustrations de ce guide n'indiquent que des parties de la scie. Ceci est fait afin de montrer plus clairement les zones et composants principaux de la scie. Ne faites jamais fonctionner la scie sans que toutes les protections soient solidement en place et en bon état de fonctionnement.



# PRÉPARER VOTRE SCIE POUR L'UTILISATION

## ALIGNER LA LAME À LA TABLE

Reportez-vous à la figure 11.

1. Débranchez la scie.
2. Abaissez le bras de la scie jusqu'à la position de transport et engagez la goupille de verrouillage pour le maintenir en place.
3. Tournez la poignée de verrouillage d'onglet (A). Placez la table de sorte que l'indicateur (B) de l'échelle de coupe en onglet affiche 0°.
4. Tournez la poignée de verrouillage d'onglet (A) à la position verrouillée de telle sorte que la table ne bouge pas.
5. Dévissez la manette de verrouillage de biseau (D) et ajustez l'angle du bras de la scie afin qu'il repose contre la butée de biseau de 0° (comme indiqué sur la graduation du biseau). Cela positionne la lame à 90° de la table.
6. Serrez la manette de verrouillage de biseau (D) de façon sécuritaire.

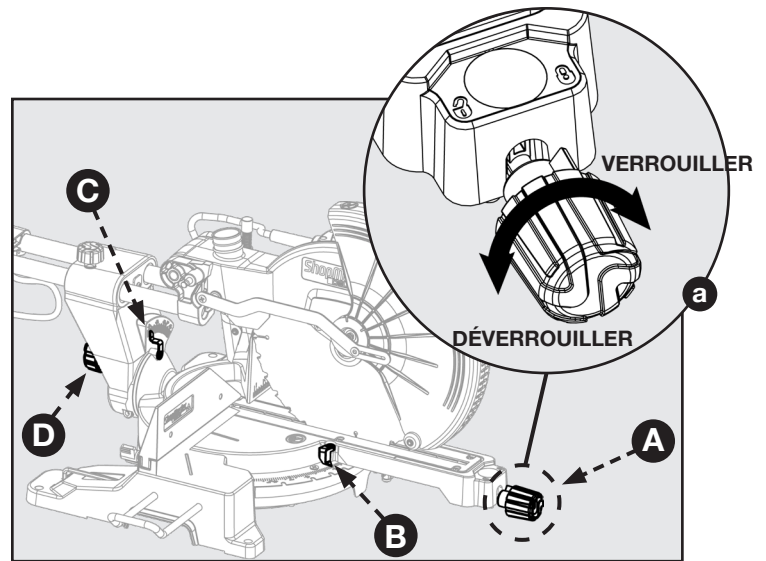


FIGURE 11

Reportez-vous à la figure 12.

7. Placez une équerre à combinaison (E) contre la table et la face de la lame de scie (F).

**REMARQUE :** Assurez-vous que l'équerre est en contact avec la partie plate de la lame de scie et non avec les dents de la lame.

8. Faites tourner la lame à la main et vérifiez l'alignement de la lame à la table en plusieurs points.
9. Le bord de l'équerre et la lame de scie doivent être parallèles, comme illustré à la figure 13.
10. Si le haut ou le bas de la face de la lame n'est pas parfaitement aligné avec l'équerre, référez-vous à la figure 15 ci-dessous et effectuez les opérations suivantes.
11. Desserrez la manette de verrouillage de biseau (G).
12. Ajustez la vis de réglage de butée fixe (H) pour aligner la lame de scie avec l'équerre. Consultez « Vis de butée fixe » dans la section Réglage de ce guide pour plus d'informations détaillées.
13. Resserrez la manette de verrouillage de biseau. Vérifiez encore l'alignement de la lame.

**REMARQUE :** La procédure ci-dessus peut servir à vérifier l'alignement de la lame à la table de coupe d'onglet à des angles de 0° et 45°.

**REMARQUE :** La scie est dotée de deux indicateurs d'échelle, un sur l'échelle de coupe en biseau et l'autre sur l'échelle de coupe en onglet. Une fois les ajustements d'équerrage effectués, il peut être nécessaire de desserrer les vis des indicateurs et de les remettre à zéro.

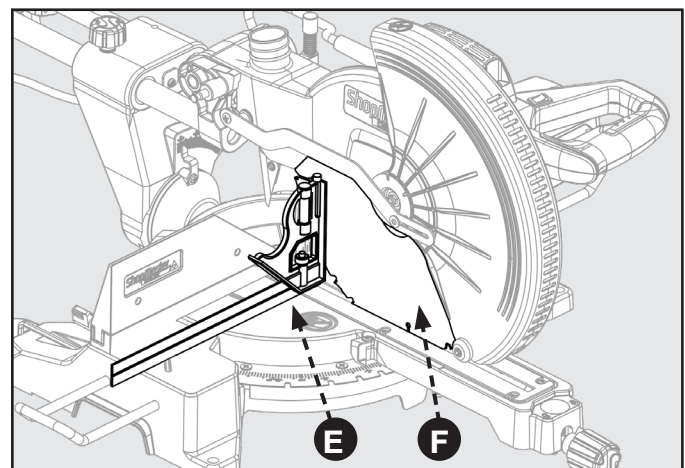


FIGURE 12

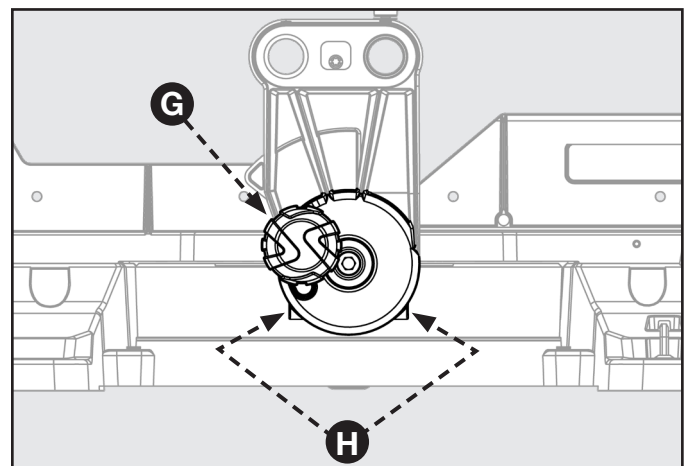


FIGURE 13

# PRÉPARER VOTRE SCIE POUR L'UTILISATION

## UTILISATION DU GUIDE LASER

Lorsque le guide laser est allumé (avec le commutateur), il projette une ligne rouge sur la surface de travail, vous permettant de voir votre coupe avant de la réaliser. Suivez les étapes ci-dessous pour assurer une coupe franche et droite (consultez la figure 14) :

1. Assurez-vous que la scie est débranchée.
2. Tracez une ligne sur la pièce où vous prévoyez de couper.
3. Basculez le commutateur laser (A) sur la position « ON » (allumé).
4. La ligne rouge (B) indique la trajectoire de la lame.
5. Alignez la ligne laser et la marque avec la lame à la position la plus haute.
6. Une fois que les deux lignes sont alignées, ne déplacez pas la pièce.
7. Branchez la scie dans la source d'alimentation.
8. Exécutez plusieurs coupes sur des matériaux de styles et d'épaisseurs variables.

### POUR ENLEVER VOTRE MARQUE :

Positionnez la ligne laser près du bord gauche de votre marque sur la surface de travail pour enlever la marque.

### POUR COUPER SUR VOTRE MARQUE :

Positionnez la ligne laser près de votre marque sur la surface de travail ou directement au-dessus de celle-ci pour couper dans la marque.

### POUR COUPER SANS ENLEVER VOTRE MARQUE :

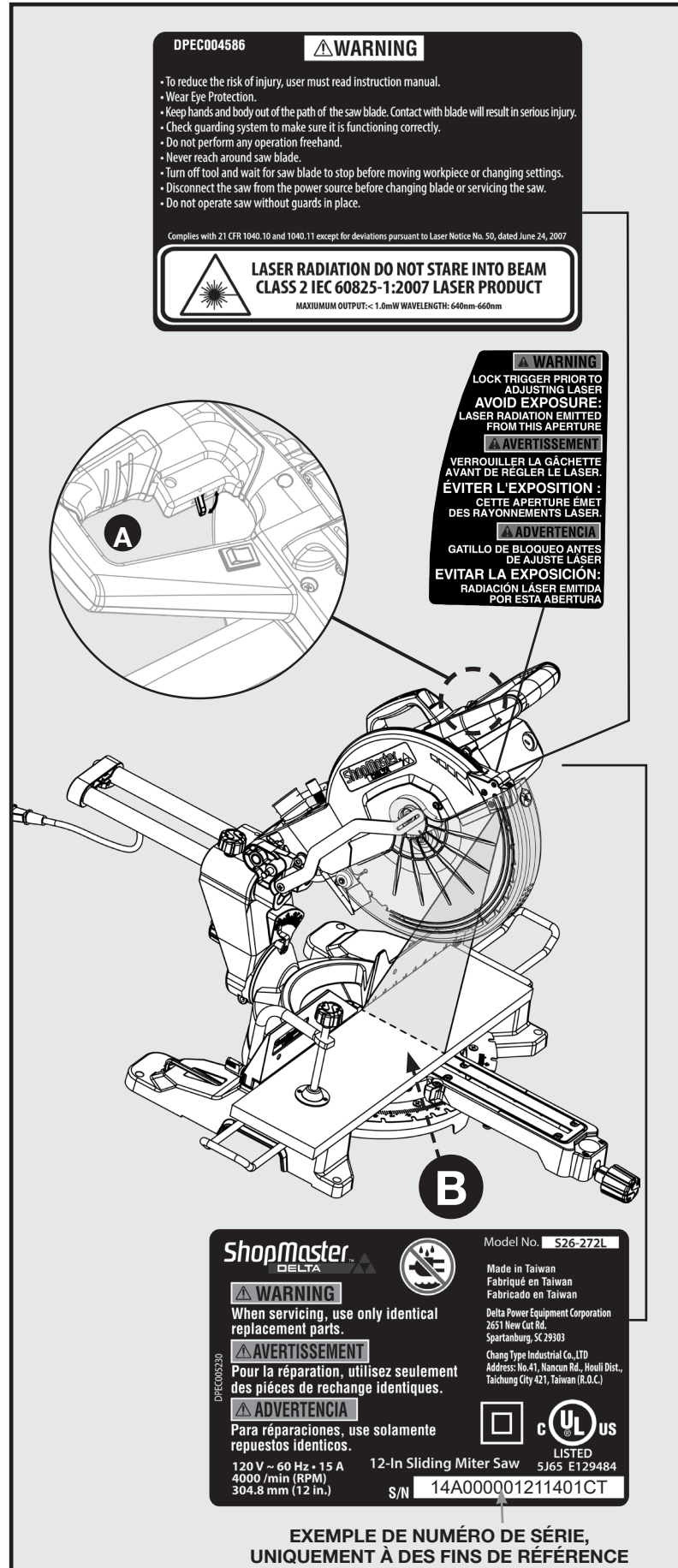
Positionnez la ligne laser près du bord droit de votre marque sur la surface de travail pour laisser la marque. Après vous être familiarisé avec le guide laser, vous serez en mesure d'enlever, couper ou laisser votre marque sur la surface de travail. La pratique vous enseignera la position correcte pour aligner la ligne laser avec votre marque.

#### ⚠ AVERTISSEMENT :

- Évitez d'exposer vos yeux directement au rayon laser ou à sa réflexion. L'exposition intense ou prolongée au rayonnement laser pourrait causer des dommages irréparables aux yeux. Ne jamais projeter ou faire refléter le laser dans les yeux de quelqu'un, y compris les vôtres.
- **Attention** - l'utilisation de commandes ou de réglages ou l'exécution de procédures autres que celles spécifiées ici pourrait entraîner une exposition dangereuse aux rayonnements.
- Ne pas démonter ou modifier le laser. Il n'y a pas de pièces internes devant faire l'objet d'un entretien par l'utilisateur. Des blessures graves aux yeux pourraient en résulter.
- L'utilisation ou la modification du guide laser pour d'autres fins que celles prévues peuvent entraîner des expositions dangereuses au rayonnement.

## REEMPLACEMENT GRATUIT D'ÉTIQUETTES D'AVERTISSEMENTS

Si vos étiquettes d'avertissements deviennent illisibles ou sont manquantes, composez le 1-800-223-7278 pour un remplacement gratuit.



EXEMPLE DE NUMÉRO DE SÉRIE, UNIQUEMENT À DES FINS DE RÉFÉRENCE

FIGURE 14

# UTILISATION

## ⚠ AVERTISSEMENT :

- Ne laissez pas la familiarité avec l'outil vous faire oublier la prudence. Rappelez-vous qu'une fraction de seconde d'imprudence est bien suffisante pour infliger une blessure personnelle grave.
- Portez toujours des lunettes de protection avec écrans latéraux et marqués pour se conformer à la norme ANSI Z87.1. Sinon, des objets peuvent être projetés dans les yeux, ce qui pourrait entraîner des blessures graves.
- N'utilisez pas d'équipements et accessoires non recommandés par le fabricant de cet outil. L'utilisation d'équipements ou d'accessoires non recommandés peut entraîner des blessures graves.
- Avant de commencer toute opération de coupe, fixez ou boulonnez la scie à onglets sur un établi. Ne faites jamais fonctionner la scie à onglets sur le sol ou dans une position accroupie. Le non-respect de cet avertissement peut entraîner des blessures.
- Pour éviter des blessures graves, serrez toujours la poignée de verrouillage d'onglet et la manette de verrouillage de biseau avant de réaliser une coupe. Ne pas le faire pourrait entraîner un mouvement du bras de commande ou de la table à onglets pendant la coupe.
- Pour éviter des blessures graves, gardez les mains hors de la zone interdite aux mains, à au moins 3 pouces de la lame. N'effectuez jamais d'opération de coupe à main levée (sans tenir la pièce contre le guide). La lame pourrait entraîner la pièce si elle glisse ou se tord.
- Lorsque vous utilisez un étau ou une presse en C pour fixer la pièce, serrez la pièce sur un côté de la lame seulement. La pièce doit rester libre d'un côté de la lame pour empêcher la lame de se fixer dans la pièce. Si la lame se fixait dans la pièce, cela provoquerait le calage du moteur et un rebond. Cette situation pourrait provoquer un accident entraînant des blessures graves.
- Ne déplacez JAMAIS la pièce ou ne faites aucun réglage de l'angle de coupe pendant que la scie est en marche et que la lame tourne. Tout glissement peut conduire au contact avec la lame, entraînant des blessures graves.

Vous pouvez utiliser cet outil pour les fins suivantes :

- Coupes en biseau et coupes combinées pour les moulures couronnées, etc.
- Coupe en travers du bois et du plastique.
- Coupe en travers pour moulures, encadrements de porte, cadres, etc.

**REMARQUE :** Cette scie est destinée à la coupe du bois. La lame fournie convient uniquement pour la coupe du bois.

## VERROUILLAGE DE L'INTERRUPTEUR D'ALIMENTATION

Pour empêcher les personnes non autorisées d'utiliser la scie, un cadenas (non compris) peut être installé dans l'orifice de verrouillage situé sur le commutateur, comme illustré à la figure 15. Assurez-vous que le cadenas est bien fermé avant de laisser la scie sans surveillance.

**⚠ AVERTISSEMENT :** Débranchez toujours le commutateur avant d'installer ou de retirer le cadenas du commutateur. Si vous ne prenez pas cette précaution, le commutateur pourrait s'enclencher accidentellement et éventuellement entraîner de blessures graves.

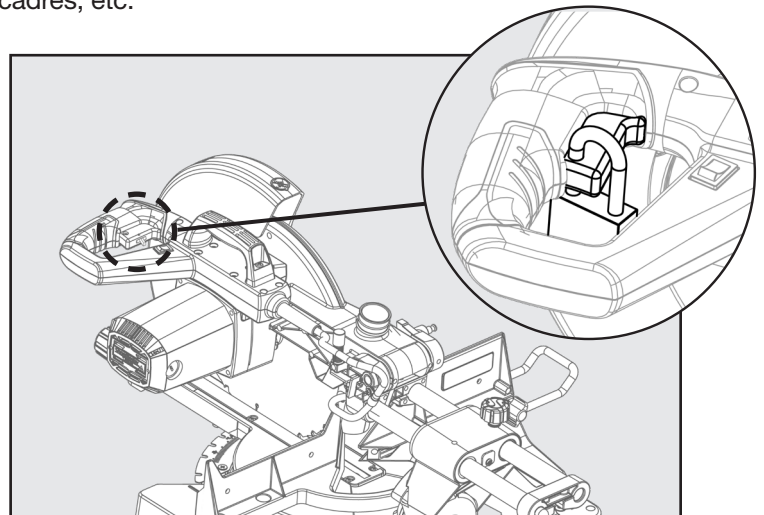


FIGURE 15

## COMMUTATEUR DE SÉCURITÉ ÉLECTRIQUE

Pour mettre le moteur de la scie sous tension, vous devez d'abord enclencher le commutateur de sécurité situé sur la poignée de l'interrupteur d'alimentation, comme illustré à la figure 16.

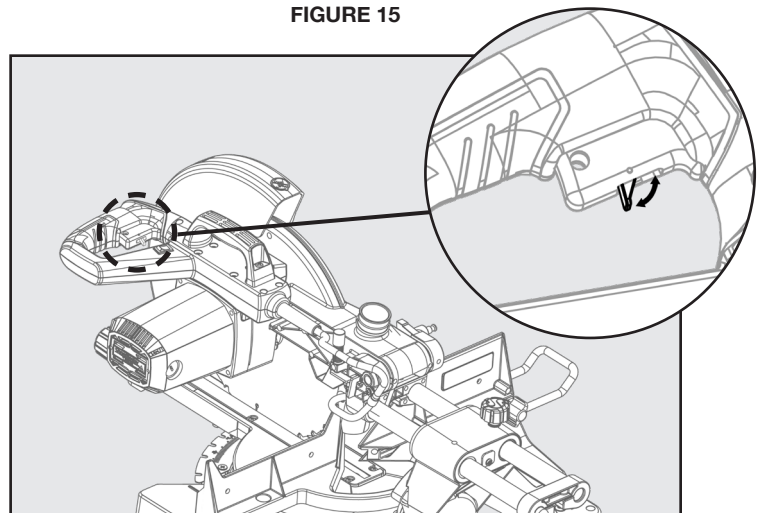


FIGURE 16



## FAIRE UNE COUPE EN GLISSIÈRE

**⚠ AVERTISSEMENT :** Ne faites jamais une coupe en tirant la scie vers vous. La lame peut « grimper » sur le dessus de la pièce et venir vers vous à une vitesse accélérée. Le non-respect de cet avertissement pourrait entraîner des blessures.

Voir figure 17.

Avec la scie hors tension, ramenez le bras de la scie vers l'avant. Démarrez la scie (attendez que la lame atteigne la vitesse maximale). Poussez ensuite la lame vers le bas pour couper dans la pièce et revenez vers l'arrière de la scie pour réaliser la coupe. Les coupes doivent être faites en poussant la lame de scie loin de vous et vers l'arrière de la scie en terminant à la position arrière maximum après chaque coupe. Tandis que la scie est en marche, ne tirez **JAMAIS** la lame vers vous ou vers l'avant de la scie. Voir l'avertissement ci-dessus.

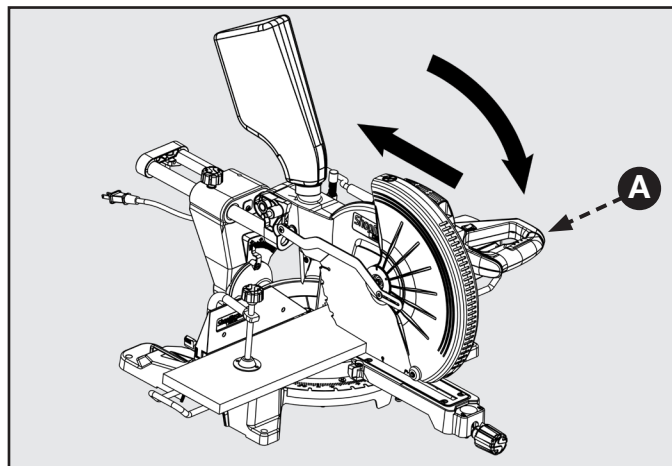


FIGURE 17

1. Levez le bras à sa pleine hauteur.
2. Placez la pièce sur la table à onglets en appuyant un de ses bords contre le guide. Si la pièce est courbée, placez le côté convexe contre le guide. Si le bord concave d'une planche est placé contre le guide, la planche pourrait s'effondrer sur la lame à la fin de la coupe et bloquer la lame. Voir figure 18.
3. Lorsque vous coupez de longues pièces de bois ou une moulure, soutenez l'extrémité opposée du matériel avec un chevalet ou avec un établi du même niveau que la table de sciage.
4. Alignez la ligne de coupe sur la pièce avec la lame ou la ligne laser.
5. Desserrez la manette de verrouillage par glissement.
6. Tenez le matériel fermement d'une main, contre le guide. Utilisez un étau pour fixer solidement la pièce lorsque cela est possible.
7. Avec la scie hors tension, effectuez un essai à vide de coupe pour vous assurer qu'aucun problème ne se produira lorsque la coupe réelle sera faite.
8. Avec la scie hors tension, saisissez la poignée de la scie fermement puis tirez la scie vers l'avant jusqu'à ce que le centre de la lame de scie soit sur le bord avant de la pièce ou jusqu'à ce que la scie soit complètement déployée.
9. Appuyez sur la gâchette de l'interrupteur. Laissez la lame atteindre sa vitesse maximale.
10. Abaissez lentement la lame à travers le bord avant de la pièce.
11. La poignée de la scie (E) est le seul endroit où placer les mains. NE PAS placer les mains sur le boîtier du moteur.
12. Relâchez le commutateur et laissez la lame de la scie arrêter sa rotation avant de soulever la lame hors de la pièce. Après l'arrêt de lame, retirez la pièce de la table à onglets.

**REMARQUE :** Une coupe en travers est faite en coupant dans le sens contraire des fibres de la pièce. Une coupe en travers droite est faite avec la table à onglets réglée à la position 0°. Les coupes en travers d'onglet sont faites avec la table à onglets réglée à un angle autre que 0°.

### COUPES EN BISEAU

Une coupe en biseau est faite en coupant dans le sens contraire des fibres de la pièce avec la lame inclinée par rapport à la pièce. Un biseau droit signifie que l'indicateur d'échelle d'onglet est réglé à 0° et que l'indicateur de l'échelle de biseau est réglé à un angle autre que 0°.

### COUPE D'ONGLET COMBINÉE

Une coupe d'onglet composée est faite en utilisant un angle d'onglet et un angle de biseau en même temps. Les réglages des paramètres de coupe d'onglet et de biseau sont interdépendants. Chaque fois que vous ajustez le réglage de l'onglet, cela change l'effet du réglage de biseau. Aussi, chaque fois que vous ajustez le réglage de biseau, cela change l'effet du réglage de l'onglet.

### CONSEILS POUR COUPE DE MOULURE COURONNÉE

- Les deux bords du moulage qui entrent en contact avec le plafond et le mur sont à des angles qui, lorsqu'ils sont ajoutés, font exactement 90°. La plupart des moulures couronnées ont un angle arrière supérieur (la section qui se place à plat contre le plafond) de 52° et un angle arrière inférieur (la section qui s'adapte à plat contre le mur) de 38°.
- Pour couper avec précision une moulure couronnée pour l'intérieur ou l'extérieur d'un coin de 90°, posez la moulure avec sa large surface arrière à plat sur la table d'onglet et contre le guide.
- Les angles des moulures couronnées doivent être très précis. Les angles de biseau et d'onglet sont

# UTILISATION

interdépendants; changer un angle change également l'autre angle.

- Comme il est très facile pour la pièce de travail de se déplacer, tous les réglages doivent d'abord être testés sur des retailles de moulage. Aussi, la plupart des murs n'ont pas d'angle d'exactly 90°; par conséquent, vous devrez affiner vos paramètres.
- Lors de la coupe de moulures couronnées, l'angle de biseau devrait être fixé à 33,85°.
- L'angle d'onglet devrait être fixé à 31,62° soit droit ou gauche, en fonction de la coupe souhaitée pour l'application. Voir le tableau ci-dessous pour les réglages corrects des angles et le positionnement correct des moulures sur la table de travail.

Réglage de l'angle de biseau	Type de coupe	Étapes
33,85°	Côté gauche, coin intérieur	<ol style="list-style-type: none"> <li>1. Partie supérieure de la moulure contre le guide</li> <li>2. Table d'onglet réglée à 31,62° à droite</li> <li>3. Garder l'extrémité gauche de la coupe</li> </ol>
33,85°	Côté droit, coin intérieur	<ol style="list-style-type: none"> <li>1. Partie inférieure de la moulure contre le guide</li> <li>2. Table d'onglet réglée à 31,62° à gauche</li> <li>3. Garder l'extrémité gauche de la coupe</li> </ol>
33,85°	Côté gauche, coin extérieur	<ol style="list-style-type: none"> <li>1. Partie inférieure de la moulure contre le guide</li> <li>2. Table d'onglet réglée à 31,62° à gauche</li> <li>3. Garder l'extrémité droite de la coupe</li> </ol>
33,85°	Côté droit, coin extérieur	<ol style="list-style-type: none"> <li>1. Partie supérieure de la moulure contre le guide</li> <li>2. Table d'onglet réglée à 31,62° à droite</li> <li>3. Garder l'extrémité droite de la coupe</li> </ol>

## COUPE DE MATÉRIAU DÉFORMÉ

Lorsque vous essayez de couper un matériau déformé, la face CONVEXE doit être contre le guide comme illustré sur la figure 18.

Ne placez jamais un morceau de matériau déformé avec la face ou le bord CONCAVE contre le guide, comme illustré à la figure 19. Cela coïncera la lame vers la fin de la coupe.

**⚠ AVERTISSEMENT :** Pour éviter un effet de rebond et pour éviter des blessures sérieuses, ne placez jamais le bord concave du matériau courbé ou tordu contre le guide.

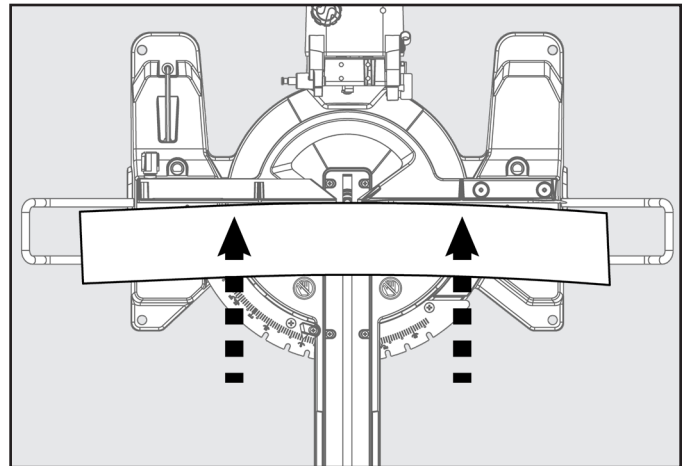


FIGURE 18

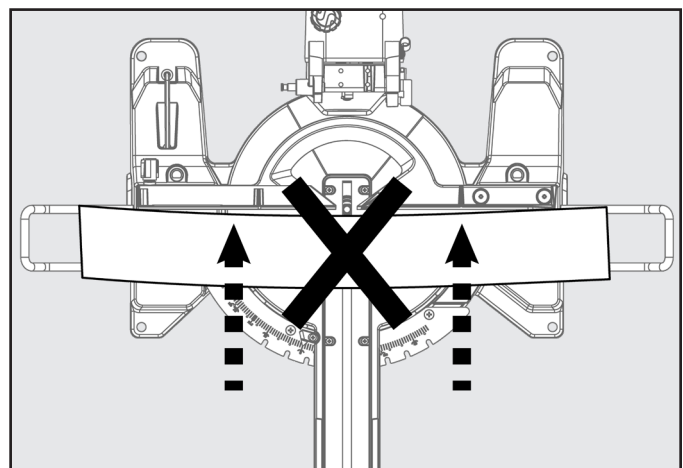


FIGURE 19



# UTILISATION

## SERRAGE DES GRANDES PIÈCES

Lors de la coupe de pièces larges, telles que 2 po X 12 po, serrez la pièce sur la table de travail à l'aide d'un étau (A) comme illustré à la figure 20.

**⚠ AVERTISSEMENT :** Gardez les étaux à l'écart de la trajectoire de l'assemblage lame et protège-lame.

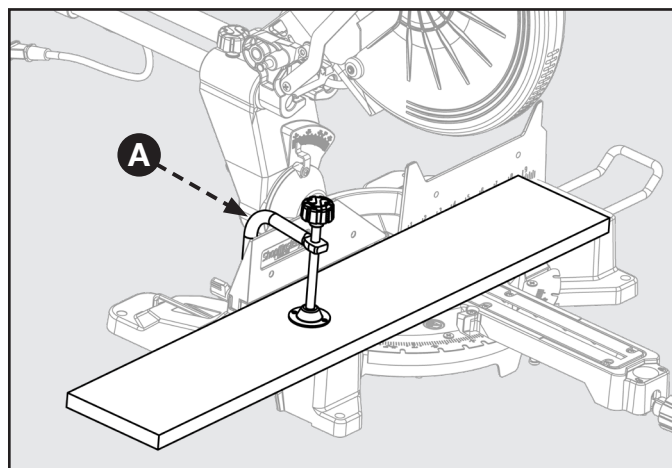


FIGURE 20

## SOUTIEN DES LONGUES PIÈCES

Dans la plupart des cas, les rallonges de table incluses (supports de pièce) suffiront pour supporter des pièces plus longues. Si celles-ci ne sont pas assez longues, la pièce doit être soutenue plus loin de la scie. Un support supplémentaire (B) peut être utilisé pour placer la pièce à plat sur la table de sciage. Utilisez l'étau inclus ou une presse en C (C) pour immobiliser la pièce sur la table de la scie à onglets. Voir figure 21.

**⚠ AVERTISSEMENT :** Gardez les étaux à l'écart de la trajectoire de l'assemblage lame et protège-lame.

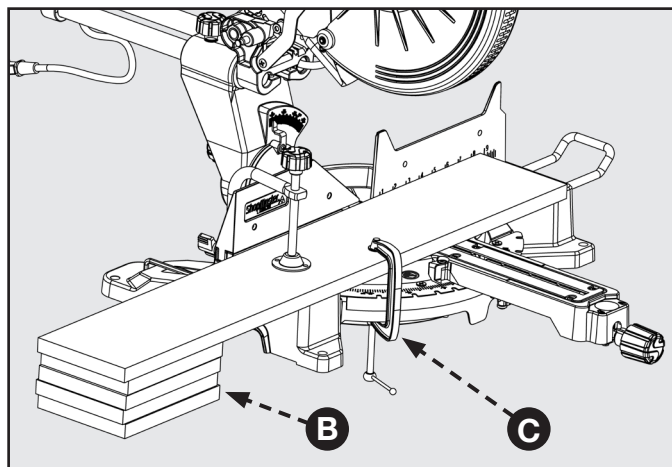


FIGURE 21

# RÉGLAGES

**⚠ AVERTISSEMENT :** Avant d'effectuer tout réglage, assurez-vous que l'outil est débranché de l'alimentation. Le non-respect de cet avertissement pourrait entraîner des blessures.

Votre scie à onglets combinée a été correctement réglée en usine. En raison de l'expédition ou de l'utilisation normale, il peut être nécessaire de réajuster certains des paramètres. Vérifiez les réglages suivants régulièrement pour assurer la précision correcte et un fonctionnement sûr.

**⚠ MISE EN GARDE :** Avant de brancher l'alimentation de la scie, assurez-vous qu'il n'y a pas d'interférence entre la lame et le passe-lame.

## PIVOT DE BRAS

Le bras de la scie doit pouvoir monter et descendre complètement et librement. En position basse et avec la goupille de verrouillage enlevée, le bras s'élève vers le haut par lui-même. Si le bras de scie ne s'élève pas par lui-même ou s'il y a du jeu dans l'articulation du pivot, il devra être réparé professionnellement à un CENTRE DE SERVICE AUTORISÉ. Veuillez appeler le service à la clientèle de la société au 1-800-223-7278.

# RÉGLAGES

## VIS DE BUTÉE FIXE

La position de la vis de réglage de butée fixe a été réglée à l'usine et normalement ne nécessitera pas de réajustement. Si la lame n'est pas perpendiculaire à la table, la vis de réglage de butée fixe doit être réajustée.

Pour la régler, reportez-vous à la figure 22.

1. Débranchez la scie.
2. Desserrez la manette de verrouillage de biseau (B) en la tournant dans le sens antihoraire.
3. À l'aide de l'extrémité cruciforme de la clé de lame, réglez la vis de réglage de butée fixe (A).
4. Ajustez l'équerrage entre la lame et la table à onglets comme décrit dans la section intitulée, **ALIGNER LA LAME À LA TABLE**, à la page 34.
5. Resserrez la manette de verrouillage de biseau (B). Vérifiez encore l'alignement de la lame à la table.
6. La scie est dotée de deux indicateurs d'échelle, un sur l'échelle de coupe en biseau et l'autre sur l'échelle de coupe en onglet. Une fois les ajustements d'équerrage effectués, il peut être nécessaire de desserrer les vis des indicateurs et de les remettre à zéro.

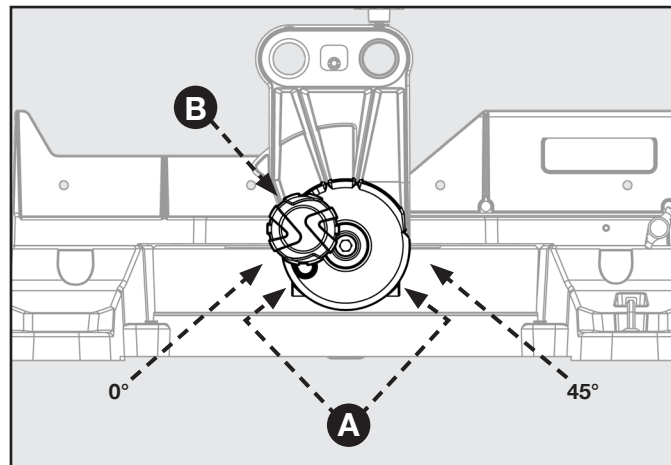


FIGURE 22

**REMARQUE :** Cette procédure permet de vérifier que la lame est perpendiculaire à la table aux angles de 0° et 45°.

## PIVOT POUR COUPE BISEAUTÉE

Lorsque la manette de verrouillage de biseau est desserrée, le bras de commande de la scie doit s'incliner facilement entre 0° et 45°. Si ce n'est pas le cas ou s'il y a du jeu dans les articulations du pivot, la scie devra être réparée à un **CENTRE DE SERVICE AUTORISÉ**.

## GUIDE LASER

**⚠ DANGER:** Rayonnement laser. Évitez le contact visuel direct avec la source lumineuse.

Reportez-vous à la figure 23.

1. Fixez un morceau de matériau de rebut sur la surface de la table à l'aide d'un étau ou d'une presse en C.
2. Branchez la scie dans la source d'alimentation et faites une légère coupure pour marquer le bois.
3. Relâchez la gâchette du commutateur et assurez-vous que la lame s'arrête complètement, puis soulevez le bras de la scie à la position verticale.
4. Débranchez la scie. N'enlevez pas le matériau de rebut.
5. Mettez le commutateur du laser (C) en position de marche. S'il est correctement aligné, le laser devrait être aligné avec le bord gauche de la coupe partielle que vous venez de faire.
6. Si le laser ne s'aligne pas adéquatement avec la coupe, consultez les pages 41 et 42 pour des instructions détaillées sur le calibrage du laser.

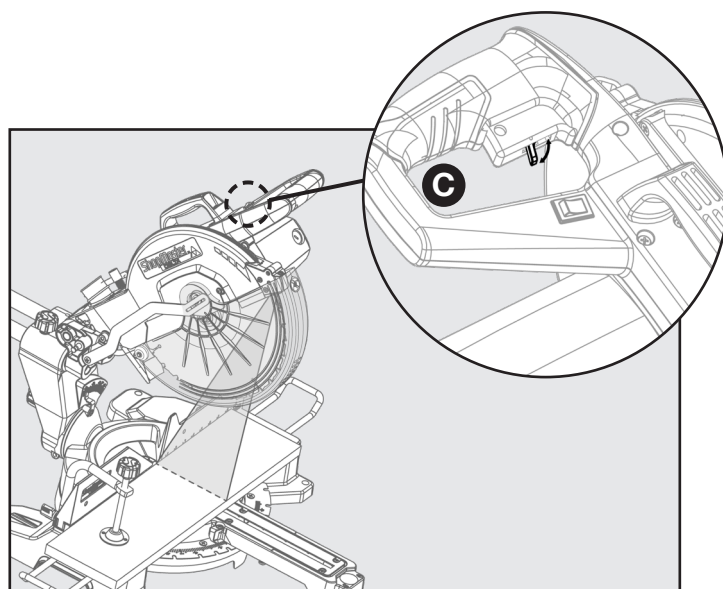


FIGURE 23

## RÉGLAGE DE LA BUTÉE DE PROFONDEUR

Cette scie à onglets dispose d'une butée de profondeur pour effectuer des coupes complètes et des coupes non complètes.

**Consultez la figure 24 et suivez ces instructions afin de régler la butée pour une profondeur spécifique de coupe :** utilisez un tournevis à tête cruciforme pour dévisser la vis (C) et tournez par la suite le support de la butée (B) dans le sens antihoraire vers le bas. Assurez-vous de resserrer la vis (C). La profondeur de la coupe peut maintenant être ajustée en tournant la vis d'ajustement de profondeur (A).

**Consultez la figure 24 et suivez ces instructions afin d'effectuer une coupe complète :** utilisez un tournevis à tête cruciforme pour dévisser la vis (C) et tournez par la suite le support de la butée (B) dans le sens horaire vers le haut. Assurez-vous de resserrer la vis (C).

**⚠ DANGER:** Vérifiez toujours la vis (C) pour vous assurer qu'elle est bien vissée avant d'effectuer une coupe. Le défaut de s'y conformer peut provoquer des blessures.

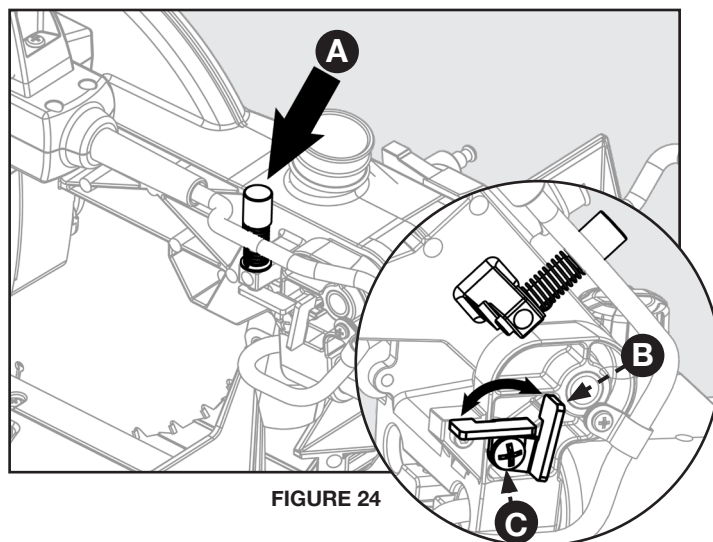


FIGURE 24

## RÉGLAGE DE LA RALLONGE DU GUIDE

Cette scie dispose d'un guide avec rallonge ajustable. Pour étendre ou replier le guide, consultez la figure 25 et suivez ces instructions : Dévissez l'écrou à oreilles (E) en le tournant dans le sens antihoraire et faites glisser le guide (D) jusqu'à la position désirée. Veillez à resserrer l'écrou à oreilles (E) en le tournant dans le sens horaire.

**⚠ DANGER:** Vérifiez toujours l'écrou à oreilles (E) pour vous assurer qu'elle est bien vissée avant d'effectuer une coupe. Le défaut de s'y conformer peut provoquer des blessures.

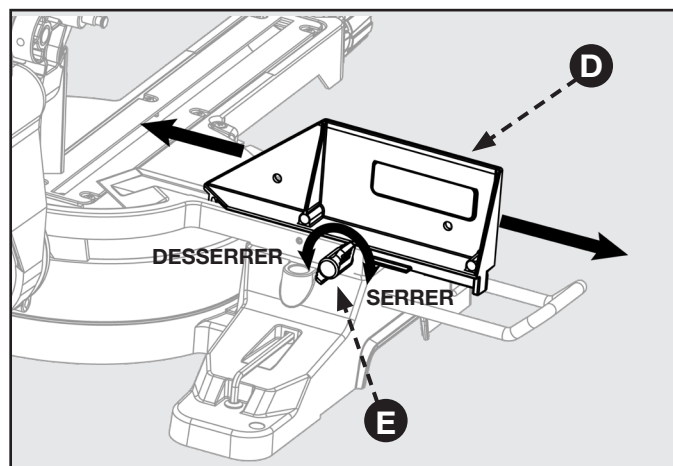


FIGURE 25

## RÉGLAGE DU LASER

Cette scie est munie d'un laser ajustable qui projette une ligne sur la surface de la pièce à travailler, voir la figure 26. Consultez la section « Utilisation du guide laser » à la page 35 pour obtenir plus d'informations sur le fonctionnement du laser. Cette section vous fournira des instructions sur la manière d'ajuster le laser afin d'effectuer des coupes plus précises.

### ⚠ AVERTISSEMENT :

- Évitez d'exposer vos yeux directement au rayon laser ou à sa réflexion. L'exposition intense ou prolongée au rayonnement laser pourrait causer des dommages irréparables aux yeux. Ne jamais projeter ou faire refléter le laser dans les yeux de quelqu'un, y compris les vôtres.
- **Attention** - l'utilisation de commandes ou de réglages ou l'exécution de procédures autres que celles spécifiées ici pourrait entraîner une exposition dangereuse aux rayonnements.
- L'utilisation ou la modification du guide laser pour d'autres fins que celles prévues peuvent entraîner des expositions dangereuses au rayonnement.

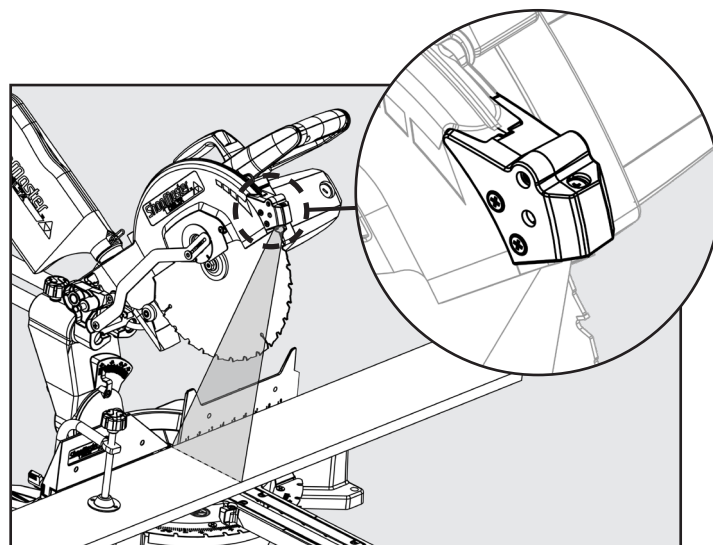


FIGURE 26

## RÉGLAGE DU PARALLÈLE DU LASER

Consultez la figure 27 et suivez les instructions suivantes si vous remarquez que la ligne du laser n'est pas parfaitement parallèle avec la lame de la scie : tournez la vis (A) avec un tournevis à tête cruciforme pour que la ligne du laser soit parallèle avec la lame de la scie.

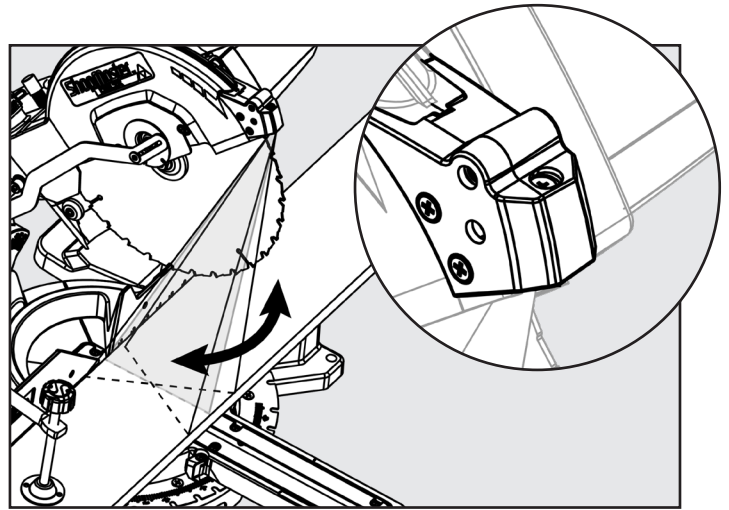


FIGURE 27

## RÉGLAGE DE L'ANGLE VERTICAL DU LASER

Consultez la figure 28 et suivez les instructions suivantes si vous remarquez que la ligne du laser ne demeure pas parallèle avec la lame lorsque la tête de la scie est baissée pour effectuer une coupe : tournez la vis (B) avec un tournevis à tête cruciforme pour ajuster l'angle vertical du laser.

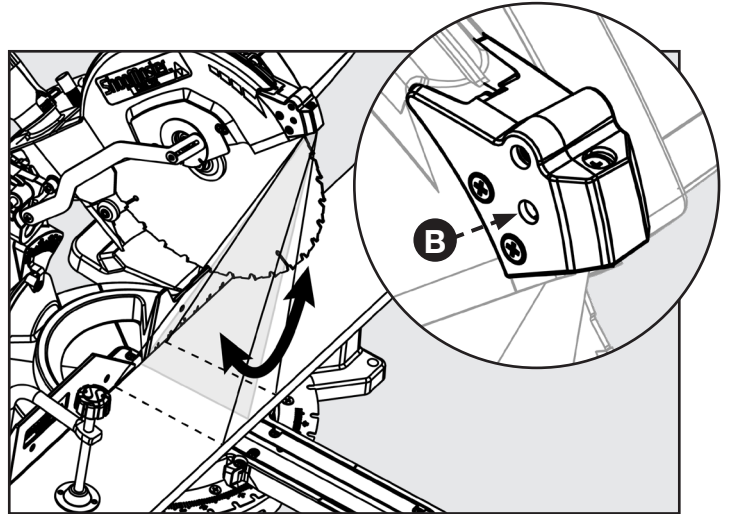


FIGURE 28

## RÉGLAGE DU DÉPORT DU LASER

Consultez la figure 29 et suivez les instructions suivantes si vous remarquez le déport de la ligne du laser de la ligne actuelle de la coupe : tournez la vis (C) avec un tournevis à tête cruciforme pour corriger le déport.

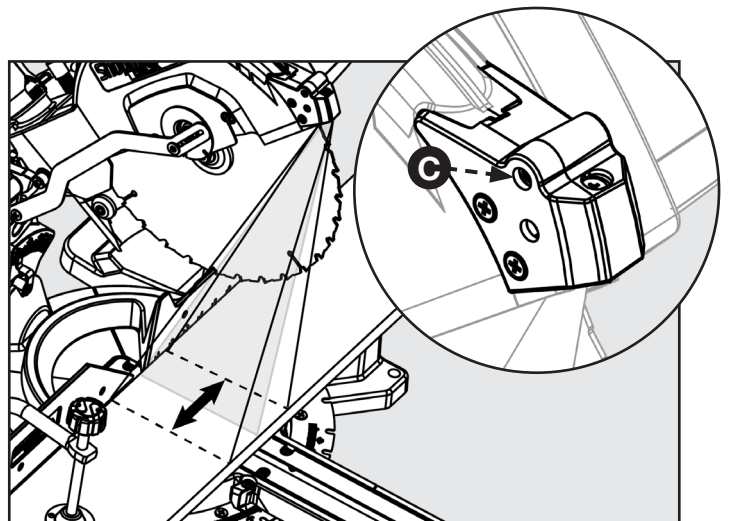


FIGURE 29



# ENTRETIEN

**⚠ AVERTISSEMENT :** Pour réduire les risques de blessures, éteignez l'appareil et débranchez-le de la source d'alimentation avant le nettoyage ou l'entretien, avant d'installer et de retirer tout accessoire et avant de faire des réglages lors de réparations. Un démarrage accidentel peut causer des blessures.

## TENIR LA MACHINE PROPRE

Dégagez régulièrement tous les passages d'air avec de l'air comprimé sec. Toutes les pièces en plastique doivent être nettoyées avec un chiffon doux et humide. N'utilisez JAMAIS de solvants pour nettoyer les pièces en plastique. Ils pourraient dissoudre ou endommager le matériel. Portez des équipements de sécurité oculaires, auditifs et respiratoires lors de l'utilisation d'air comprimé.

Videz le sac à poussière fréquemment.

**⚠ AVERTISSEMENT :** Lors de l'entretien, utilisez uniquement des pièces de rechange identiques. L'utilisation de toute autre pièce peut constituer un danger ou entraîner des dommages au produit.

## MAINTENANCE GÉNÉRALE

Évitez d'utiliser des solvants pour nettoyer les pièces en plastique. La plupart des plastiques sont susceptibles aux divers types de solvants commerciaux et peuvent être endommagés par leur usage. Utilisez des chiffons propres pour enlever la saleté, poussière, huile, graisse, etc.

## REPLACEMENT DES BROSSES

Le moteur de cette scie dispose d'ensembles de brosses accessibles de l'extérieur qui doivent être vérifiés régulièrement pour l'usure. Si les brosses doivent être remplacées, reportez-vous à la figure 30 et procédez comme suit :

1. Débranchez la scie.

**⚠ AVERTISSEMENT :** Si la scie n'est pas débranchée, un démarrage accidentel pourrait entraîner des blessures graves.

2. À l'aide d'un tournevis, enlevez soigneusement le capuchon de la brosse (A).

**REMARQUE :** Enlevez le capuchon lentement. L'assemblage de la brosse est à ressort et va sortir une fois que le capuchon est enlevé.

3. Retirez l'assemblage de la brosse (B).

4. Inspectez les deux brosses. Si l'une a moins de 1/4 po de longueur de carbone restant, les deux brosses doivent être remplacées.

**REMARQUE :** Ne remplacez pas un côté sans remplacer l'autre.

5. Insérez les deux brosses dans le tube de la brosse (C), en vous assurant que la courbure des brosses correspond à la courbure du moteur. L'assemblage de brosse doit se déplacer librement dans le tube.

6. Remettez soigneusement le capuchon de la brosse, en vous assurant que le filetage ne soit pas faussé.

7. Serrez le capuchon de la brosse de façon sécuritaire. Ne forcez pas en serrant.

**⚠ AVERTISSEMENT :** Ne jamais laisser les liquides de freins, l'essence, les produits à base de pétrole, les huiles pénétrantes, etc., entrer en contact avec les pièces en plastique. Les produits chimiques peuvent endommager, affaiblir ou détruire le plastique, ce qui peut entraîner des blessures graves.

L'utilisation d'outils électriques pour travailler des matériaux de fibre de verre, les panneaux muraux, le plâtre à reboucher ou le plâtre les expose à une usure accélérée et à une éventuelle défaillance prématurée, car les copeaux et les broyages en fibre de verre sont très abrasifs pour les roulements, les brosses, le commutateur, etc. Par conséquent, nous ne recommandons pas l'utilisation de cet outil pour un travail prolongé sur ces types de matériaux. Toutefois, si vous travaillez avec l'un de ces matériaux, il est extrêmement important de nettoyer l'outil à l'aide d'air comprimé.

## LUBRIFICATION

Tous les roulements de cet outil sont lubrifiés avec une quantité suffisante de lubrifiant de haute qualité pour la durée de vie de l'outil dans des conditions normales. Par conséquent, aucune lubrification ultérieure n'est requise.

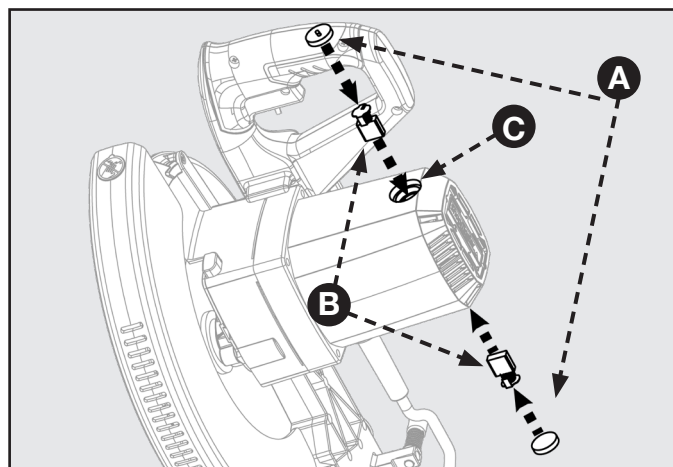


FIGURE 30

# DÉPANNAGE

## DÉMARRAGE IMPOSSIBLE

Si votre machine ne démarre pas, assurez-vous que les broches de la fiche du cordon sont bien en contact dans la prise. Aussi, vérifiez s'il y a des fusibles grillés ou des disjoncteurs ouverts dans votre ligne d'alimentation électrique. Si la scie ne démarre toujours pas, veuillez appeler le service à la clientèle au 1-800-223-7278.

# ACCESSOIRES

Pour les accessoires, veuillez visiter notre site Web pour un catalogue en ligne ou pour le nom de votre fournisseur le plus proche.

**⚠ AVERTISSEMENT :** Puisque les accessoires autres que ceux offerts par DELTA® n'ont pas été testés avec ce produit, l'utilisation de ces accessoires peut être dangereuse. Pour une utilisation sécuritaire, seulement les accessoires SHOPMASTER recommandés doivent être utilisés avec ce produit.

## ASSISTANCE POUR PIÈCES, SERVICE OU GARANTIE

Les machines et accessoires SHOPMASTER sont fabriqués selon des normes de haute qualité et peuvent être réparés dans le réseau de centres de service autorisés. Pour obtenir des informations supplémentaires au sujet de votre produit ou pour obtenir des pièces, du service, l'assistance en vertu de la garantie ou l'emplacement du centre de service le plus proche, appelez au 1-800-223-7278.

### Garantie limitée de trois ans

- 1. CE QUI EST GARANTI.** Delta Power Equipment Corporation (la « Société ») réparera ou remplacera, à son entière discrétion, ce produit qui a été acheté au détail aux États-Unis ou au Canada et qui, avec une utilisation normale, s'est avéré comporter des défauts de fabrication ou de matériau, sous réserve des conditions énoncées dans la présente garantie limitée. Cette garantie limitée couvre uniquement les matériaux et la main-d'œuvre. Tous les frais de transport sont la responsabilité du client.
- 2. PÉRIODE DE GARANTIE.** Toutes les réclamations de garantie doivent être soumises dans les trois ans suivant la date d'achat au détail. Pour toutes les pièces d'entretien et les produits remis à neuf en usine, la période de garantie est de 180 jours.
- 3. COMMENT FAIRE POUR OBTENIR LE SERVICE** Pour obtenir un service en vertu de la garantie, vous devez retourner le produit défectueux, ainsi qu'une preuve d'achat acceptable, telle que votre reçu original portant la date d'achat, ou le numéro d'enregistrement du produit, à vos frais et dans la période de garantie applicable, à un centre de service autorisé par la Société (un « centre de service autorisé ») pour que le personnel du centre effectue le service en vertu de la garantie. La Société réserve le droit de restreindre le service de réclamation en vertu de la garantie dans le pays où l'achat a été effectué et/ou de facturer le coût pour l'exportation de pièces de rechange ou pour fournir un service en vertu de la garantie dans un pays différent. À cette fin, les achats en ligne sont réputés être effectués aux États-Unis. Pour l'emplacement de votre centre de service autorisé le plus proche, appelez le service à la clientèle de la société au 1-800-223-7278.
- 4. EXCLUSIONS.**
  - La Société n'offre aucune garantie sur les produits achetés en état usagé ou endommagé.
  - La Société ne garantit pas les produits achetés à l'extérieur des États-Unis ou du Canada.
  - La société ne sera pas responsable de dommages résultant de l'usure normale, d'une mauvaise utilisation, d'abus ou de réparations ou modifications apportées par un tiers autre qu'un centre de service agréé ou un représentant désigné par le service à la clientèle de la société.
  - TOUTES LES GARANTIES IMPLICITES sont expressément limitées à la période de garantie indiquée ci-dessus.
  - La société n'est pas responsable des dommages ACCESSOIRES OU IMMATÉRIELS.
  - Cette garantie limitée est la seule garantie de la Société et énonce le recours exclusif du client par rapport à des produits défectueux; toutes les autres garanties, expresses ou implicites, qu'il s'agisse de la qualité marchande, d'aptitude à l'usage ou autre, sont expressément rejetées par la Société, sauf mention expresse dans la présente déclaration de garantie.

Certains États n'autorisent pas l'exclusion ou la limitation des dommages accessoires ou immatériels, ni la limitation des garanties implicites, de sorte que les limitations ou exclusions ci-dessus peuvent ne pas s'appliquer à vous. Cette garantie vous donne des droits légaux spécifiques et vous pouvez avoir d'autres droits, qui varient d'un État à l'autre. Pour plus de détails sur la couverture de garantie et de l'information sur les réparations sous garantie, composer le 1-800-223-7278. Pour enregistrer vos produits en ligne, nous vous invitons à vous rendre sur notre site Web et à vous inscrire pour un compte de membre GRATUIT DELTA® à <http://www.deltamachinery.com/register>.

**AMÉRIQUE LATINE :** Cette garantie ne couvre pas les produits vendus en Amérique latine. Pour les produits vendus en Amérique latine, appeler l'entreprise locale ou consulter le site Web pour obtenir des informations de garantie.

## PIÈCES DE REMPLACEMENT

Les seules pièces remplaçables par l'utilisateur sur cet outil sont:

- 1) **Lame de scie**
- 2) **Brosses à moteur**

Toutes les autres pièces non listées ci-dessus doivent être remplacées par un agent DELTA® agréé.

N'utiliser que des pièces de rechange identiques. Pour une liste de pièces ou pour commander des pièces, visitez notre site Web au [www.DeltaMachinery.com/service](http://www.DeltaMachinery.com/service). Vous pouvez également commander des pièces de votre centre de service de garantie autorisé le plus proche ou en appelant le directeur du service technique au 1-800-223-7278 pour recevoir un soutien personnalisé de l'un de nos représentants hautement qualifiés.

## REPLACEMENT GRATUIT D'ÉTIQUETTES D'AVERTISSEMENTS

Si vos étiquettes d'avertissement deviennent illisibles ou sont manquantes, composez le 1-800-223-7278 pour un remplacement gratuit.

## ENTRETIEN ET RÉPARATIONS

Tous les outils de qualité nécessiteront éventuellement un entretien et/ou un remplacement des pièces. Pour plus d'informations sur Delta Power Equipment Corporation et ses succursales ou pour localiser un centre de réparation autorisé, visitez notre site Web à [www.DeltaMachinery.com/service](http://www.DeltaMachinery.com/service) ou appelez le service à la clientèle au 1-800-223-7278. Toutes les réparations faites par nos centres de service sont entièrement garanties contre les défauts de matériau et de fabrication. Nous ne pouvons garantir les réparations faites ou tentées par d'autres. En appelant ce numéro, vous pouvez également trouver des réponses aux plus fréquentes questions 24 heures par jour.

Pour plus d'informations, vous pouvez également nous écrire à Delta Power Equipment Corporation, 2651 New Cut Road, Spartanburg, SC 29303 — Attention : Directeur des services techniques. Veuillez à indiquer toutes les informations figurant sur la plaque signalétique de votre scie (numéro de modèle, type, numéro de série, code de date, etc.).

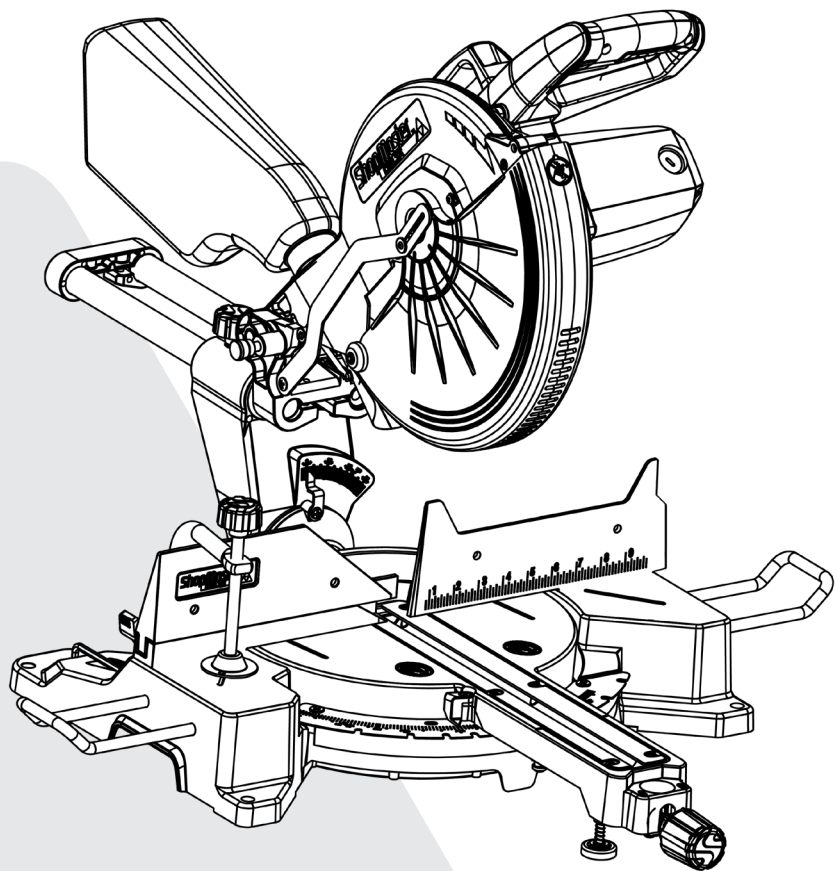
# ShopMaster

DELTA®

## 12-INCH SLIDING COMPOUND MITER SAW

Scie a onglet Combine  
304.8 mm

Sierra ingletadora  
compuesta de 12  
pulgadas



Français (23)

Español (46)

[www.DeltaMachinery.com](http://www.DeltaMachinery.com)

Instruction Manual

Manual d'utilisation

Manual de instrucciones

**S26-272L**

**⚠ ADVERTENCIA:**

Para reducir el riesgo de lesiones graves, lea detenidamente y cumpla con todas las advertencias e instrucciones en este manual y en el producto.

**MANTENGA ESTE MANUAL CERCA DE SU PRODUCTO PARA UNA REFERENCIA FÁCIL Y PARA BRINDAR INSTRUCCIONES A OTROS**



# ÍNDICE

INSTRUCCIONES DE SEGURIDAD IMPORTANTES .....	47	CORTES BISELADOS.....	60
REGLAS DE SEGURIDAD GENERALES PARA LAS HERRAMIENTAS MOTORIZADAS.....	48	CORTES EN INGLETE COMPUESTO.....	60
REGLAS DE SEGURIDAD DE LA SIERRA INGLETADORA.....	49	RECOMENDACIONES PARA CORTAR MOLDURAS TIPO CORONA.....	60
ADVERTENCIA DE LA PROPUESTA 65 .....	50	CORTE DE MATERIAL COMBADO .....	61
CONEXIONES DE ALIMENTACIÓN.....	50	SUJECIÓN DE PIEZAS DE TRABAJO ANCHAS .....	62
CARACTERÍSTICAS.....	51	APOYO DE PIEZAS DE TRABAJO LARGAS.....	62
CÓMO DESEMPACAR.....	53	<b>AJUSTES.....</b>	<b>62</b>
<b>MONTAJE Y TRANSPORTE .....</b>	<b>54</b>	PIVOTE DEL BRAZO.....	62
PASADOR DE BLOQUEO DEL BRAZO DE LA SIERRA .....	54	TORNILLO DE TOPE POSITIVO.....	63
BASE CON MANIJAS DE TRANSPORTE .....	54	PIVOTE DE BISELADO .....	63
COLOCACIÓN DE LA SIERRA DE MESA EN UNA SUPERFICIE ESTABLE .....	54	GUÍA LÁSER .....	63
<b>ENSAMBLE .....</b>	<b>55</b>	AJUSTE DEL TOPE DE PROFUNDIDAD.....	64
EXTENSIONES DE APOYO .....	55	AJUSTE DE LA EXTENSIÓN DE LA GUÍA TOPE.....	64
SUJECIÓN DE LA ABRAZADERA DE FIJACIÓN.....	55	AJUSTE DEL LÁSER.....	64
INSTALACIÓN DE LA BOLSA DE RECOLECCIÓN DE POLVO.....	55	AJUSTE PARA LOGRAR UN LÁSER PARALELO .....	65
<b>PREPARACIÓN DE LA SIERRA PARA SU USO .....</b>	<b>56</b>	AJUSTE DEL ÁNGULO VERTICAL DEL LÁSER .....	65
INSTALACIÓN/REEMPLAZO DE LA HOJA.....	56	AJUSTE DEL DESVÍO DEL LÁSER .....	65
ALINEACIÓN DE LA HOJA CON LA MESA .....	57	<b>MANTENIMIENTO .....</b>	<b>66</b>
USO DE LA GUÍA LÁSER .....	58	REEMPLAZO DE LAS ESCOBILLAS.....	66
<b>FUNCIONAMIENTO .....</b>	<b>59</b>	<b>RESOLUCIÓN DE PROBLEMAS .....</b>	<b>66</b>
BLOQUEO DEL INTERRUPTOR DE ENCENDIDO .....	59	<b>ACCESORIOS .....</b>	<b>67</b>
CORTE DESLIZANTE.....	60	<b>ASISTENCIA PARA PIEZAS, SERVICIOS O GARANTÍA.....</b>	<b>67</b>

## INSTRUCCIONES DE SEGURIDAD IMPORTANTES

**⚠ ADVERTENCIA:** LEA Y SIGA CUIDADOSAMENTE TODAS LAS ADVERTENCIAS E INSTRUCCIONES QUE SE ENCUENTRAN EN EL PRODUCTO Y EN ESTE MANUAL. CONSERVE ESTE MANUAL. AL UTILIZAR LA HERRAMIENTA, ASEGÚRESE DE QUE TODOS LOS USUARIOS ESTÉN FAMILIARIZADOS CON LAS ADVERTENCIAS E INSTRUCCIONES. Una utilización, mantenimiento o modificación incorrectos de las herramientas o equipamiento podrían causar lesiones graves y/o daños materiales.



## LOGOTIPOS DE SEGURIDAD

Este manual contiene información que es importante que usted conozca y entienda. Esta información se refiere a la protección de SU SEGURIDAD y PREVIENE PROBLEMAS DEL EQUIPO. Para ayudarlo a reconocer esta información, usamos los símbolos debajo. Lea el manual y preste atención a estas secciones.

**⚠ PELIGRO:** Indica una situación de peligro inminente que, si no se evita, provocará muertes o lesiones graves.  
Indica una situación potencialmente peligrosa que, si no se evita, podría causar muertes o lesiones graves.

**⚠ ADVERTENCIA:** Indica una situación potencialmente peligrosa que, si no se evita, podría causar lesiones menores o moderadas.

**⚠ PRECAUCIÓN:** Utilizada sin el símbolo de advertencia de seguridad indica una situación potencialmente peligrosa que, si no se evita, podría causar daño a la propiedad.

**PRECAUCIÓN:**



No exponga las herramientas motorizadas a la lluvia o condiciones húmedas.

Se encuentra disponible información adicional sobre el funcionamiento seguro y correcto de esta herramienta a través de las siguientes fuentes de información:

- Power Tool Institute (Instituto de Herramientas Eléctricas), 1300 Sumner Avenue, Cleveland, OH 44115-2851 o en línea en [www.powertoolinstitute.com](http://www.powertoolinstitute.com)
- National Safety Council (Consejo de Seguridad Nacional), 1121 Spring Lake Drive, Itasca, IL 60143-3201
- American National Standards Institute (Instituto Nacional Estadounidense de Estándares), 25 West 43rd Street, 4to piso, Nueva York, NY 10036 [www.ansi.org](http://www.ansi.org) - ANSI 01.1 Safety Requirements for Woodworking Machines (Requisitos de seguridad para máquinas de carpintería)
- Regulaciones del Department of Labor (Departamento de Trabajo) de EE. UU.: [www.osha.gov](http://www.osha.gov)

# REGLAS DE SEGURIDAD GENERALES PARA LAS HERRAMIENTAS MOTORIZADAS

**⚠ ADVERTENCIA:** Lea todas las advertencias de seguridad, instrucciones, ilustraciones y especificaciones suministradas con esta herramienta motorizada. No seguir todas las instrucciones detalladas a continuación podría provocar descargas eléctricas, incendios y/o lesiones graves.

**Guarde todas las advertencias e instrucciones para consulta futura.**

El término "herramienta motorizada" en las advertencias hace referencia a la herramienta motorizada (con cable) que funciona con energía eléctrica o a la herramienta motorizada (sin cable) que funciona a BATERÍA.

## 1. Seguridad en el área de trabajo

- Mantenga el área de trabajo limpia y bien iluminada.** Las áreas desordenadas u oscuras están propensas a accidentes.
- No utilice las herramientas motorizadas en atmósferas explosivas, como bajo la presencia de líquidos inflamables, gases o polvo.** Las herramientas motorizadas generan chispas que podrían encender el polvo o los gases.
- Mantenga alejados a los niños y personas que están observando durante el uso de una herramienta motorizada.** Las distracciones pueden provocar una pérdida de control.

## 2. Seguridad eléctrica

- Los enchufes de las herramientas motorizadas deben coincidir con el tomacorriente. No modifique el enchufe de ninguna manera. No utilice ningún enchufe adaptador con las herramientas motorizadas de conexión a tierra.** Los enchufes sin modificar y los tomacorrientes que permiten insertar estos enchufes reducirán el riesgo de descargas eléctricas.
- Evite el contacto del cuerpo con superficies de conexión a tierra, como tuberías, radiadores, estufas y heladeras.** Existe un riesgo mayor de descarga eléctrica si su cuerpo está conectado a tierra.
- No exponga las herramientas motorizadas a la lluvia o condiciones húmedas.** El ingreso de agua en una herramienta motorizada aumentará el riesgo de descargas eléctricas.
- No realice un uso incorrecto del cable. Nunca utilice el cable para transportar, tirar o desenchufar la herramienta motorizada. Mantenga el cable alejado de aceite caliente, bordes filosos o piezas móviles.** Los cables dañados o enredados aumentan el riesgo de descargas eléctricas.
- Al utilizar una herramienta motorizada en exteriores, utilice un cable de extensión adecuado para el uso en exteriores.** Emplear un cable adecuado para el uso en exteriores reduce el riesgo de descargas eléctricas.
- Si es inevitable el uso de la herramienta motorizada en una ubicación húmeda, utilice una fuente de alimentación protegida por un DISPOSITIVO DE CORRIENTE RESIDUAL (RCD).**  
El uso de un dispositivo de corriente residual (RCD) reducirá el riesgo de descargas eléctricas.

## 3) Seguridad personal

- Manténgase alerta, preste atención a la tarea que está realizando y utilice el sentido común al utilizar una herramienta motorizada. No utilice una herramienta motorizada si está cansado o bajo la influencia de drogas, alcohol o medicamentos.** Un momento de distracción durante el uso de herramientas eléctricas puede provocar una lesión personal grave.
- Utilice equipamiento de protección personal. Siempre utilice protección ocular.** El equipamiento de protección, como la máscara antipolvo, los zapatos de seguridad antideslizantes, casco duro o protección auditiva, utilizado para las condiciones apropiadas, reducirá las lesiones personales.
- Evite un arranque no intencionado de la herramienta. Asegúrese de que el interruptor esté en la posición de apagado antes de realizar la conexión con la fuente de alimentación y/o batería, recoger la herramienta o transportarla.** Transportar herramientas motorizadas con el dedo en el interruptor o herramientas motorizadas energizadas que tienen el interruptor en la posición de encendido puede derivar en accidentes.
- Extraiga cualquier llave de ajuste antes de encender la herramienta motorizada.** Si deja una llave fijada a una pieza giratoria de la herramienta motorizada, podrían provocarse lesiones personales.
- No intente estirarse en exceso. Mantenga los pies bien colocados y el equilibrio en todo momento.** Esto permite lograr un mejor control de la herramienta motorizada en situaciones inesperadas.
- Utilice la vestimenta adecuada. No utilice vestimenta o joyas sueltas. Mantenga su cabello, vestimenta y guantes alejados de las piezas móviles.** La vestimenta floja, las joyas o el cabello largo pueden quedar atrapados por las piezas móviles.
- Si se proporcionan dispositivos para la conexión de equipos de extracción y recolección de polvo, asegúrese de que estén conectados y se utilicen de forma correcta.** El uso de la recolección de polvo puede reducir los peligros relacionados con el polvo.
- No permita que la confianza obtenida a partir del uso frecuente de las herramientas lo vuelva descuidado e ignore los principios de seguridad de las herramientas.** Una acción imprudente puede causar lesiones graves en una fracción de segundo.
- Nunca se pare sobre la herramienta.** Pueden ocurrir lesiones graves si la herramienta es inclinada o si la herramienta de corte es contactada involuntariamente.

## 4. Uso y mantenimiento de la herramienta motorizada

- No fuerce la herramienta motorizada. Utilice la herramienta motorizada correcta para su aplicación.** La herramienta motorizada correcta le permitirá realizar el trabajo de forma más eficiente y segura a la velocidad a la que fue diseñada.
- No utilice la herramienta motorizada si el interruptor no se puede colocar en la posición de encendido y apagado.** Cualquier herramienta motorizada que no pueda controlarse con el interruptor es peligrosa y deberá repararse.
- Desconecte el enchufe de la fuente de alimentación y/o extraiga la batería, si es extraíble, de la herramienta motorizada antes de realizar cualquier ajuste, cambio de accesorios o almacenamiento de las herramientas motorizadas.** Dichas medidas de seguridad de prevención reducen el riesgo de un arranque accidental de la herramienta motorizada..
- Almacene las herramientas motorizadas que no utilice lejos del alcance de los niños y no permita que personas**

# REGLAS DE SEGURIDAD GENERALES PARA LAS HERRAMIENTAS MOTORIZADAS

- e. **que no están familiarizadas con la herramienta motorizada o sus instrucciones utilicen la herramienta motorizada.** Las herramientas motorizadas son peligrosas en las manos de usuarios no capacitados.
- f) **Realice un mantenimiento de las herramientas motorizadas y accesorios. Compruebe si existe una alineación incorrecta o atasco de las piezas móviles, rotura de las piezas o cualquier otra condición que podría afectar el funcionamiento de la herramienta motorizada. Si está dañada, haga reparar la herramienta motorizada antes de su uso.** Muchos accidentes están causados por un mantenimiento incorrecto de las herramientas motorizadas.
- g. **Mantenga las herramientas de corte afiladas y limpias.** Las herramientas de corte con un mantenimiento correcto y bordes de corte afilados están menos propensas a atascarse y son más fáciles de controlar.
- h. **) Mantenga los mangos y las superficies de agarre secos, limpios y sin grasa ni aceite.** Los mangos y las superficies de agarre resbaladizos no permiten una sujeción y control seguros de la herramienta en situaciones inesperadas.
- i. **Mantenga secas, limpias y sin aceite y grasa las manijas y las superficies de agarre.** Las manijas y las superficies de agarre resbalosas no permiten una sujeción y control seguros de la herramienta en situaciones inesperadas.

## 5. Servicio técnico

- a. **Solicite el servicio técnico de su herramienta motorizada a una persona de reparación calificada que utilice únicamente piezas de reemplazo idénticas.** Esto garantizará que se mantenga la seguridad de la herramienta motorizada.

# INSTRUCCIONES DE SEGURIDAD PARA LAS SIERRAS INGLETADORAS

- a. **La sierra ingletadora está diseñada para cortar madera o productos similares a la madera. No puede utilizarse con discos de corte abrasivos para el corte de material ferroso como barras, varillas, vástagos, etc.** El polvo abrasivo provoca un atasco de las piezas móviles, como la protección inferior. Las chispas originadas por el corte abrasivo quemarán la protección inferior, el inserto de corte y otras piezas de plástico.
- b. **Utilice abrazaderas para asegurar la pieza de trabajo siempre que sea posible. Si sujeta la pieza de trabajo con la mano, deberá mantenerla siempre a una distancia mínima de 100 mm en ambos lados de la hoja de la sierra. No utilice esta sierra para cortar piezas que sean demasiado pequeñas para sujetarlas de forma segura con abrazaderas o con la mano.** Si coloca la mano demasiado cerca de la hoja de la sierra, existe un mayor riesgo de lesiones provocadas por el contacto con la hoja.
- c. **La pieza de trabajo deberá estar fija y sujeta o colocada contra la guía y la mesa. No alimente la pieza de trabajo hacia la hoja ni realice un corte a pulso de ninguna manera.** Las piezas de trabajo sin fijar o con movimiento pueden arrojar a altas velocidades y provocar lesiones.
- d. **Empuje la sierra a través de la pieza de trabajo. No jale de la sierra a través de la pieza de trabajo. Para realizar un corte, levante el cabezal de la sierra y colóquelo sobre la pieza de trabajo sin cortar, arranque el motor, presione el cabezal de la sierra hacia abajo y empuje la sierra a través de la pieza de trabajo.** El corte en la carrera de tracción posiblemente provoque que la hoja de la sierra se trepe sobre la parte superior de la pieza de trabajo y arroje violentamente el conjunto de la hoja hacia el operario..
- e. **Nunca cruce la mano por sobre la línea de corte deseada, ya sea en la parte frontal o posterior de la hoja de la sierra.** El agarre cruzado de la pieza de trabajo, es decir, sujetar la pieza de trabajo a la derecha de la hoja de la sierra con su mano izquierda o viceversa es sumamente peligroso.
- f. **No se estire más allá de la guía tope con las manos más cerca de 100 mm de ambos lados de la sierra, ya sea para quitar restos de madera o para cualquier otra razón, cuando la hoja esté girando.** La proximidad de la hoja de la sierra girando con su mano podría no ser perceptible y sufrir lesiones graves.
- g. **Inspeccione la pieza de trabajo antes de realizar cortes. Si la pieza de trabajo está combada o arqueada, sujétela con el lado combado exterior hacia la guía tope. Asegúrese siempre de que no exista espacio libre entre la pieza de trabajo, la guía tope y la mesa a lo largo de la línea de corte.** Las piezas de trabajo dobladas o arqueadas pueden torcerse o desplazarse y causar un atasco de la hoja de la sierra que está girando durante el corte. No deberán existir clavos u objetos extraños en la pieza de trabajo.
- h. **No utilice la sierra hasta que la mesa esté libre de todas las herramientas, restos de madera, etc., a excepción de la pieza de trabajo.** Los residuos pequeños o las piezas de madera u otros objetos flojos que entran en contacto con las hoja girando podrían arrojar a alta velocidad.
- i. **Corte una sola pieza de trabajo por vez.** Varias piezas de trabajo apiladas no pueden sujetarse o fijarse de forma adecuada y podrían atascar la hoja o desplazarse durante el corte.
- j. **Asegúrese de que la sierra ingletadora esté instalada o colocada sobre una superficie de trabajo nivelada y firme antes de su uso.** Una superficie de trabajo nivelada y firme reduce el riesgo de pérdida de estabilidad de la sierra ingletadora.
- k. **Planifique su trabajo. Cada vez que cambie la configuración de ángulo de biselado e inglete, asegúrese de que la guía tope esté ajustada correctamente para sujetar la pieza de trabajo y no interferirá con la hoja ni el sistema de protección.** Sin encender la herramienta y sin ninguna pieza de trabajo en la mesa, mueva la hoja de la sierra a través de un corte completo simulado para asegurarse de que no existirá ninguna interferencia ni peligro de corte de la guía tope.
- l. **La pieza cortada no deberá estar atascada o presionada de ninguna manera contra la hoja de sierra giratoria.** Si está confinada, por ejemplo, con el uso de topes de longitud, la pieza cortada podría quedar comprimida contra la hoja y arrojarse de forma violenta.
- m. **No utilice otra persona como reemplazo de una extensión de la mesa o como apoyo adicional.** Un apoyo inestable de la pieza de trabajo puede provocar que la hoja se atasque o que la pieza de trabajo se desplace durante la operación de corte, lo que lo tirará a usted y a la persona que está ayudando hacia la hoja que está girando.
- n. **La pieza de corte no deberá estar atascada o presionada de ninguna forma contra la hoja de la sierra que está girando.** Si está confinada, es decir, utilizando topes de longitud, la pieza de corte podría trabar la hoja y arrojarse violentamente.
- o. **Siempre utilice una abrazadera o accesorio diseñado para apoyar materiales redondos, como varillas o tuberías.** Las varillas tienen la tendencia de rodar durante el corte, lo que provocará que la hoja "muerda" y jale la pieza de trabajo con su mano hacia la hoja.

# REGLAS DE SEGURIDAD DE LA SIERRA INGLETADORA

- r. **Después de finalizar el corte, suelte el interruptor, sujete la sierra con el cabezal hacia abajo y espere a que la hoja se detenga antes de extraer la pieza cortada** Acercar la mano a la hoja de corte puede ser sumamente peligroso.
- s. **Sujete el mango con firmeza al realizar un corte incompleto o al soltar el interruptor antes de que el cabezal de la sierra esté completamente en la posición hacia abajo.** La acción de frenado de la sierra puede provocar que el cabezal de la sierra se jale repentinamente hacia abajo, lo que podría representar un riesgo de lesiones.
- t. **El perno de la cerradura de la cabeza de la sierra es para el almacenaje y el transporte solamente.** Esta sierra nunca se debe bloquear en la posición hacia abajo mientras se realizan cortes.
- u. **No opere la sierra sin guardas en su lugar.**

## PROPOSICIÓN DE CALIFORNIA 65

**⚠ ADVERTENCIA:** Parte del polvo creado por la lijadora, sierra, esmeriladora, perforadora, y otras actividades de construcción eléctricas contiene químicos, que se sabe en el Estado de California producen cáncer, defectos de nacimiento, u otro daño reproductivo. Ejemplos de estos químicos:

- Plomo de pinturas a base de plomo
- Sílice cristalina de los ladrillos y cemento y otros productos de albañilería, y
- Arsénico y cromo de madera con tratamiento químico.

Su riesgo al exponerse a estos químicos varía, dependiendo de la frecuencia con al que realice este tipo de trabajo. Para reducir su exposición, trabaje en un área bien ventilada y con el equipo de seguridad aprobado, como máscaras para el polvo que estén especialmente diseñadas para filtrar partículas microscópicas.

### CONSERVE ESTAS INSTRUCCIONES.

Refiérase a las mismas a menudo y utilícelas para instruir a otros.  
Si presta la herramienta a otra persona, también préstele estas instrucciones.

## CONEXIONES DE ALIMENTACIÓN

Debe usarse un circuito eléctrico independiente para las máquinas. Este circuito no debe ser menor a un hilo #12 y debe protegerse con un fusible de acción retardada de 15 amperes. Si se utiliza un cable de extensión, utilice únicamente cables de extensión de 3 alambres que tengan enchufes de tipo de conexión a tierra de 3 clavijas. Antes de conectar la máquina a la corriente, asegúrese de que los interruptores estén en la posición de "APAGADO" y asegúrese de que la corriente eléctrica tenga las mismas características que las indicadas en la máquina. Todas las conexiones de línea deben tener un contacto correcto. El funcionamiento con una baja tensión provocará daños a la máquina.

**⚠ PELIGRO:** NO EXPONGA LA MÁQUINA A LA LLUVIA NI LA UTILICE EN LUGARES HÚMEDOS.

La máquina posee un cableado para una corriente alterna de 120 voltios y 60 HZ. Antes de conectar la máquina a la fuente de alimentación, asegúrese de que el interruptor se encuentre en la posición "APAGADO".

## AISLAMIENTO DOBLE

Esta máquina posee un doble aislamiento. El doble aislamiento es un concepto de seguridad de las herramientas motorizadas eléctricas, que elimina la necesidad de un cable de alimentación con conexión a tierra de tres alambres. Todas las piezas metálicas expuestas están aisladas de los componentes metálicos internos del motor gracias al aislamiento de protección. Las herramientas con doble aislamiento no necesitan estar conectadas a tierra.

**⚠ ADVERTENCIA:** El sistema de doble aislamiento está diseñado para proteger al usuario de las descargas provocadas por un daño en el aislamiento interno de la herramienta. Sin embargo, es importante respetar las precauciones de seguridad normales para evitar descargas eléctricas.

**NOTA:** El servicio técnico de una herramienta con doble aislamiento requiere un extremo cuidado y conocimiento del sistema y solo lo deberá realizar un agente autorizado de DELTA®. Para el servicio técnico de la herramienta, recomendamos llevarla al agente autorizado de DELTA® más cercano para efectuar la reparación. Utilice siempre piezas de reemplazo idénticas durante el servicio técnico.

# CONEXIONES DE ALIMENTACIÓN

## CONEXIÓN ELÉCTRICA

Esta herramienta posee un motor eléctrico construido a precisión. Se lo deberá conectar a una FUENTE DE ALIMENTACIÓN DE CA DE 120 VOLTIOS Y 60 ÚNICAMENTE (CORRIENTE HOGAREÑA NORMAL). No utilice esta herramienta con corriente continua (CC). Una caída significativa de la tensión provocará una pérdida de potencia y sobrecalentará el motor. Si la herramienta no funciona cuando está conectada a un tomacorriente, vuelva a comprobar la fuente de alimentación.

## ENCHUFES POLARIZADOS

Para reducir el riesgo de descargas eléctricas, esta herramienta posee un enchufe polarizado (una clavija es más ancha que la otra). Este enchufe podrá insertarse en un tomacorriente polarizado de una sola forma. Si no es posible insertar correctamente el enchufe en el tomacorriente, voltee el enchufe. Si aún no puede insertarse correctamente, comuníquese con un electricista calificado para instalar el tomacorriente adecuado. No intente modificar de ninguna manera el enchufe.

## CABLES DE EXTENSIÓN

Al utilizar una herramienta motorizada a una distancia considerable de una fuente de alimentación, asegúrese de utilizar un cable de extensión que tenga la capacidad para soportar la corriente que consumirá la herramienta. Un cable con un tamaño menor provocará una caída en la tensión de la línea, lo que a su vez provocará un sobrecalentamiento y una pérdida de potencia. Utilice la tabla para determinar el tamaño de cable mínimo requerido para un cable de extensión. Deben usarse únicamente cables revestidos y redondos indicados por Underwriter's Laboratories (UL). Al trabajar con la herramienta en exteriores, utilice un cable de extensión diseñado para el uso en exteriores. Este tipo de cable está marcado con la palabra "WA" en la cubierta del cable.

**NOTA:** Antes de utilizar cualquier cable de extensión, inspecciónelo para comprobar si existen alambres flojos o expuestos o un aislamiento cortado o desgastado.

**⚠ ADVERTENCIA:** Mantenga el cable de extensión lejos del área de trabajo. Coloque el cable de tal manera que no quedará atrapado en las maderas, herramientas u otras obstrucciones mientras esté trabajando con una herramienta motorizada. No seguir estas reglas podría provocar lesiones personales graves. Inspeccione los cables de extensión antes de cada uso. Si están dañados, reemplácelos de inmediato. Nunca utilice la herramienta con un cable dañado, puesto que tocar el área dañada puede causar descargas eléctricas que pueden derivar en lesiones graves.

** Clasificación de amperaje (en la etiqueta de datos completos)	
12 A- 16 A	
Longitud del cable	Tamaño del cable
25"	14 AWG
50"	12 AWG
** Utilizado en un circuito de calibre 12/20 amperes NOTA: AWG = American Wire Gauge	

# CARACTERÍSTICAS

## ESPECIFICACIONES DEL PRODUCTO

Capacidad de corte (Tamaños de madera nominales máximos)	Inglete de 0°/Biselado de 0°: 4" x 14" Inglete de 45°/Biselado de 0°: 4" x 10" Inglete de 0°/Biselado de 45°: 3" x 14" Inglete de 45°/Biselado de 45°: 3" x 10"
Peso neto	55 lbs
Entrada	120 V~, 60 hz, 15 amperes
Cuchilla Arbor agujero	1"
Diámetro de la hoja	12"
Velocidad sin carga	4.000 r/min (RPM)



# CARACTERÍSTICAS

- A. Motor
- B. Guía tope
- C. Placa de garganta
- D. Perilla de bloqueo de inglete
- E. Extensiones de apoyo
- F. Escala de inglete con topes positivos
- G. Abrazadera de fijación horizontal
- H. Base
- I. Orificios de montaje
- J. Llave integrada
- K. Mesa de trabajo
- L. Perilla de bloqueo de bisel
- M. Bolsa para polvo
- N. Protecciones de la hoja superior e inferior
- O. Hoja (no visible)
- P. Manija del cabezal de la sierra
- Q. Bloqueo de eje
- R. Perilla de bloqueo de deslizamiento
- S. Freno eléctrico (no mostrado)
- T. Láser
- U. Dispositivo de seguridad eléctrica
- V. Interruptor de encendido/apagado (no visible)

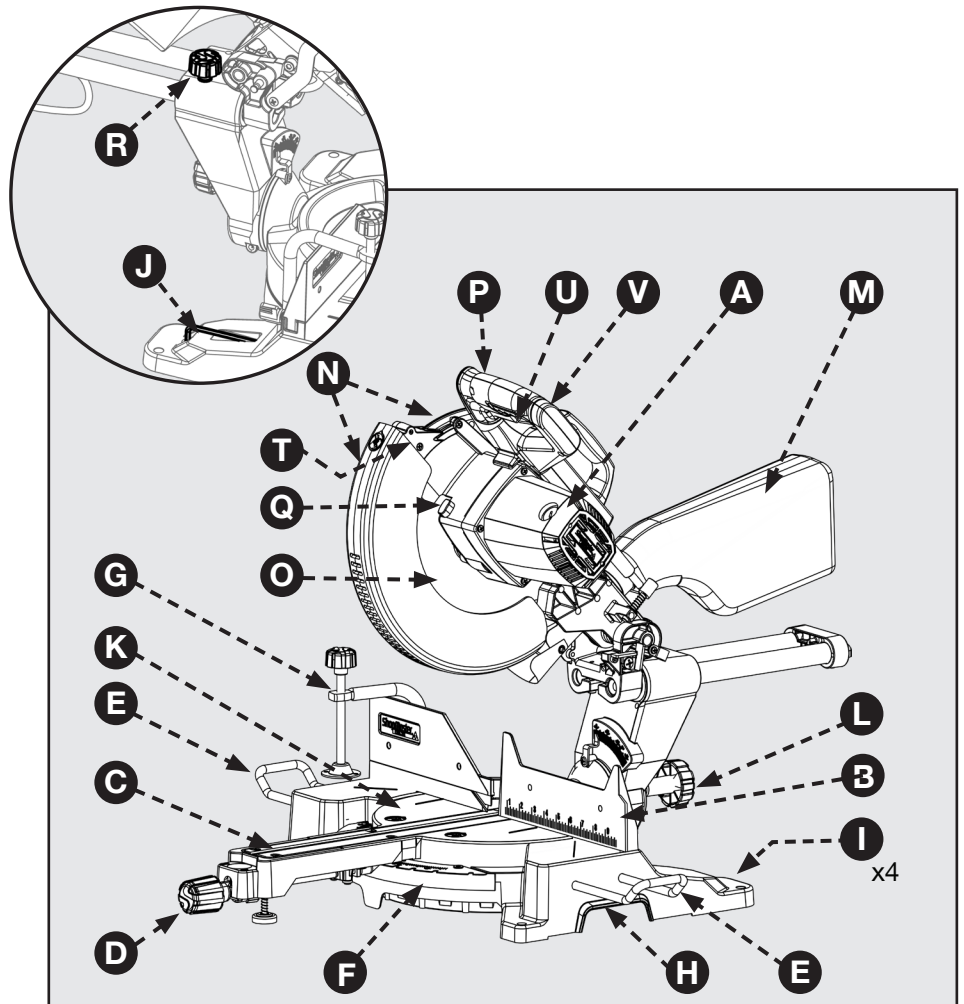


FIGURA 1

## CONOZCA SU SIERRA INGLETADORA COMPUESTA

Consulte la Figura 1.

El uso de esta herramienta de forma segura exige que comprenda la información incluida en este manual de operario, así como el proyecto que está intentando llevar a cabo. Antes de utilizar este producto, familiarícese con todas las funciones y reglas de seguridad.

- A. **MOTOR DE 15 AMPERES:** esta herramienta cuenta con un potente motor de 15 amperes con todos cojinetes de bola y escobillas de acceso externo para un mantenimiento sencillo.
- B. **GUÍA TOPE AJUSTABLE:** la guía tope de inglete permite apoyar la pieza de trabajo al realizar todo tipo de cortes. La longitud de la extensión es ajustable.
- C. **PLACA DE GARGANTA:** la placa de garganta permite apoyar la pieza de trabajo y ofrece una superficie de trabajo segura.
- D. **BLOQUEO DE INGLETE:** la perilla de bloqueo de inglete permite fijar de forma segura la sierra en los ángulos de inglete deseados.
- E. **EXTENSIONES DE APOYO:** utilice estas extensiones para el apoyo de piezas grandes cuando sea necesario.
- F. **ESCALA DE INGLETE CON TOPES POSITIVOS:** se incluyen topes positivos en los ángulos de 0°, 15°, 22,5°, 31,6° y 45°. Se han colocado topes de la hoja a la izquierda y derecha de la mesa de inglete.
- G. **ABRAZADERA DE SUJECIÓN HORIZONTAL:** la abrazadera de sujeción horizontal permite colocar y asegurar la pieza de trabajo a la guía tope, lo que

garantiza un funcionamiento más seguro y cortes más precisos.

- H. **BASE:** permite el apoyo de la herramienta e incluye orificios de montaje.
- I. **ORIFICIOS DE MONTAJE:** permite instalar de forma segura la herramienta en una superficie estable.
- J. **ALMACENAMIENTO DE LLAVE PARA HOJA:** la llave para hoja incluida posee un destornillador Phillips en un extremo y una llave hexagonal en el otro. Utilice la llave hexagonal al instalar o extraer la hoja y utilice el destornillador Phillips al extraer o aflojar tornillos. Cuando no esté en uso, la llave puede almacenarse en la base de la sierra.
- K. **MESA DE TRABAJO:** la mesa de trabajo robusta de aluminio fundido ofrece una superficie de trabajo sólida y nivelada.
- L. **BLOQUEO DE BISEL:** la perilla de bloqueo de bisel asegura la sierra en el ángulo deseado para cortes biselados. Existen 2 tornillos de tope positivo ubicados debajo de la perilla de bloqueo de bisel para realizar ajustes minuciosos en ángulos de 0° y 45°.
- M. **BOLSA DE RECOLECCIÓN DE POLVO:** la bolsa de recolección de polvo incluida puede colocarse y extraerse de forma rápida a través de la abrazadera integrada para su fácil limpieza.
- N. **PROTECCIONES DE LA HOJA SUPERIOR E INFERIOR:** la protección de la hoja inferior está fabricada con plástico transparente y resistente a impactos que ofrece

## CARACTERÍSTICAS

- una protección desde cada lado de la hoja. Se retrae automáticamente sobre la protección de la hoja superior a medida que la sierra se baja hacia la pieza de trabajo.
- O. **HOJA DE 12 PULGADAS:** se incluye una hoja de 12 pulgadas con la sierra ingletadora compuesta. Cortará materiales de hasta 4 pulgadas de grosor o 14 pulgadas de ancho, dependiendo del ángulo en el que se realice el corte.
  - P. **MANIJA DEL CABEZAL DE LA SIERRA:** Utilice esta manija para realizar cortes, tal como se describe en la sección de uso de este manual. Esta manija también incluye un interruptor de encendido/apagado para activar la hoja de la sierra en gatillo del interruptor. Se puede utilizar un candado con un grillete de hasta 5/16" de diámetro. El candado y la llave deberán almacenarse en ubicaciones por separado.
  - Q. **BOTÓN DE BLOQUEO DE EJE:** el botón de bloqueo de eje bloquea el eje e impide que la hoja gire cuando se extraiga o instale el tornillo de la hoja.
  - R. **BLOQUEO DE DESLIZAMIENTO:** permite que el cabezal se mueva hacia la parte delantera o posterior en el caso de materiales de corte con un ancho de hasta 12".
  - S. **FRENO ELÉCTRICO:** se proporciona un freno eléctrico para detener de forma más rápida la rotación de la hoja después de que se suelta el interruptor. (no mostrado)
  - T. **LÁSER:** Para obtener cortes más precisos, se incluye un láser con su sierra ingletadora. Cuando se utiliza de forma correcta, el láser permite que los cortes de precisión se realicen de forma sencilla.
  - U. **DISPOSITIVO DE SEGURIDAD ELÉCTRICA:** réduit les risques de sécurité des utilisateurs non autorisés
  - V. **INTERRUPTOR DE ENCENDIDO/APAGADO:** La hoja de la sierra se activa a través de un interruptor fácil de utilizar. Cuando no esté en uso, la sierra deberá desconectarse de la fuente de alimentación y se deberá bloquear el

## CÓMO DESEMPACAR

- Revise el cartón de envío y la máquina en búsqueda de daño antes del desempaque. Extraiga cuidadosamente los materiales de embalaje, las piezas y la máquina de la caja de cartón de envío. Siempre verifique y retire los materiales de envío protectores alrededor del motor y las piezas móviles. Coloque las piezas en una superficie de trabajo limpia.
- Compare los elementos con las imágenes del inventario y verifique que estén presentes todos los elementos antes de desechar la caja de cartón de envío. Para informar cualquier pieza faltante o dañada, comuníquese con nuestro Centro de atención al cliente al 800-223-7278. Antes del ensamble y uso de la herramienta, lea este manual para familiarizarse con el ensamble adecuado, los procedimientos de mantenimiento y seguridad.
- Si existe alguna pieza que no está presente, no intente conectar el cable de alimentación y encender la herramienta. La sierra solo deberá recibir alimentación eléctrica después de que se hayan localizado y ensamblado de forma correcta todas las piezas.

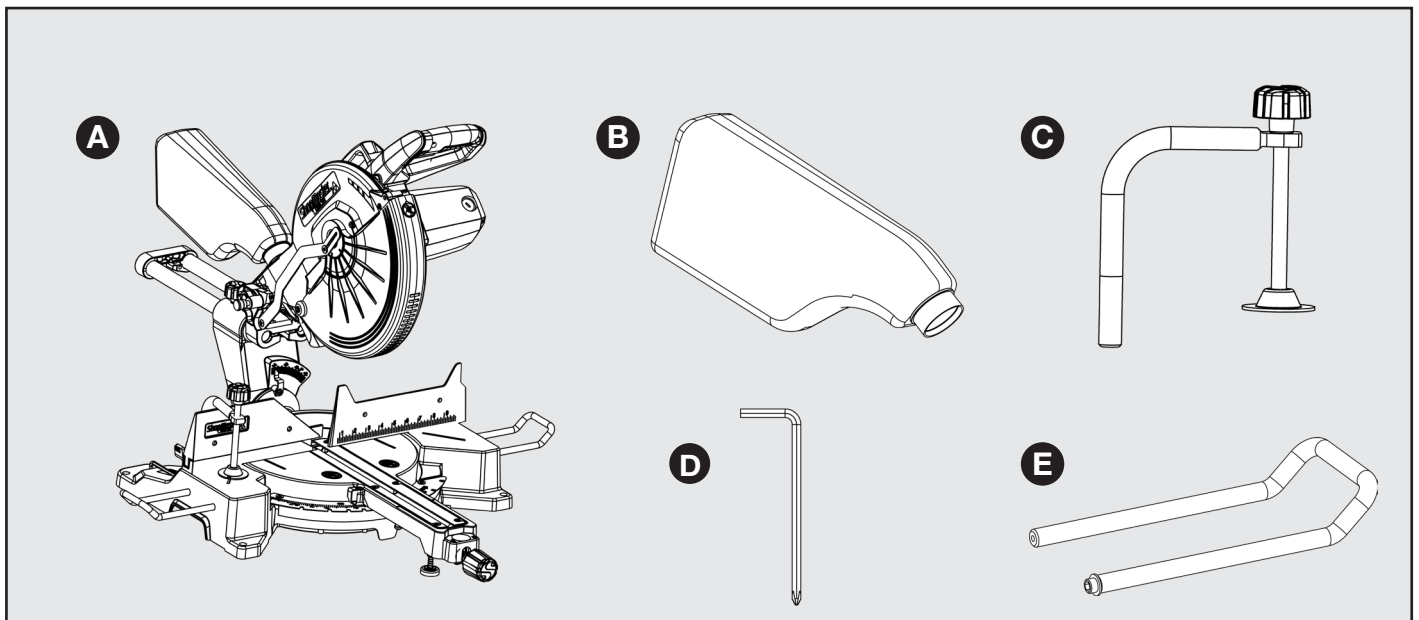


FIGURA 2

### DESCRIPCIÓN DEL CONTENIDO (CANTIDAD)

- A. Sierra ingletadora compuesta deslizante de 12 pulgadas SHOPMASTER S26-272L
- B. Bolsa de recolección de polvo (1)
- C. Abrazadera de fijación (1)
- D. Llave para hojas (1)
- E. Extensiones de apoyo (2)

# MONTAJE Y TRANSPORTE

**⚠ ADVERTENCIA:** Antes de mover/transportar la sierra, es importante asegurarse de que se hayan seguido todos los siguientes pasos para garantizar una condición segura para el transporte. No seguir estas reglas podría provocar lesiones personales graves.

**⚠ ADVERTENCIA:**

- Apague y desenchufe siempre la sierra antes del transporte.
- Asegure el cable de alimentación para evitar cualquier tropiezo o enredo que podría ocurrir durante el transporte.
- Utilice siempre la fuerza de sus piernas para levantar la sierra. Nunca utilice los músculos de la espalda.
- No utilice la manija del interruptor de encendido/apagado o el cable de alimentación para levantar la sierra.
- Coloque siempre la sierra sobre una superficie estable y nivelada con espacio libre para manipular y moverse.

## PASADOR DE BLOQUEO DEL BRAZO DE LA SIERRA

1. La sierra se envía con el brazo asegurado en la posición hacia abajo, tal como se muestra en la Figura 3 sujetador de plástico y libere el pasador de bloqueo (A).
2. El pasador de bloqueo (A) se utiliza solo para el almacenamiento y el transporte. La sierra no debe bloquearse en la posición hacia abajo durante los cortes.
3. Inspeccione la herramienta con cuidado para asegurarse de que no hayan ocurrido daños durante el envío.
4. No deseche el material de embalaje hasta que no haya inspeccionado meticulosamente y utilizado correctamente la herramienta.

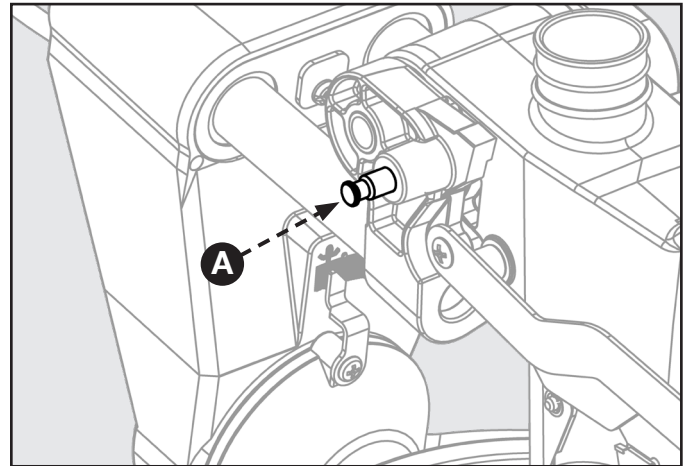


FIGURE 3

## BASE CON MANIJAS DE TRANSPORTE

Utilice las manijas de transporte que están ubicadas en la base para un transporte fácil y seguro de la sierra. Detallado en la Fig.4.

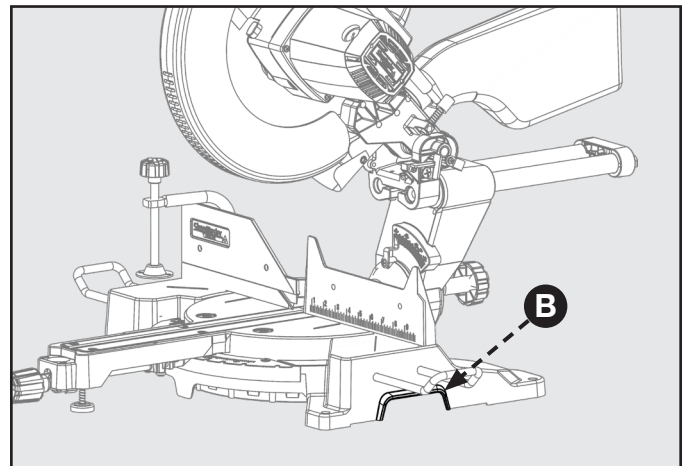


FIGURE 4

## COLOCACIÓN DE LA SIERRA DE MESA EN UNA SUPERFICIE ESTABLE

**⚠ ADVERTENCIA:** A fin de garantizar un funcionamiento seguro y preciso, se deberá colocar la sierra sobre una superficie estable y nivelada, como, por ejemplo, un banco de trabajo. Para colocar la herramienta en una superficie estable, consulte la Figura 5 y realice lo siguiente:

1. Localice los 4 orificios de montaje ubicados en la base de la sierra (C).
2. Asegure la herramienta a la superficie de montaje utilizando pernos mecánicos, arandelas de bloqueo y tuercas hexagonales de 3/8" (no incluidos). Asegúrese de que los pernos sean lo suficientemente largos para cubrir la base de la sierra, las arandelas de bloqueo, las tuercas hexagonales y el grosor del banco de trabajo.
3. Apriete todos los pernos de forma segura.
4. Asegúrese de que la mesa esté colocada de forma segura antes de utilizarla.

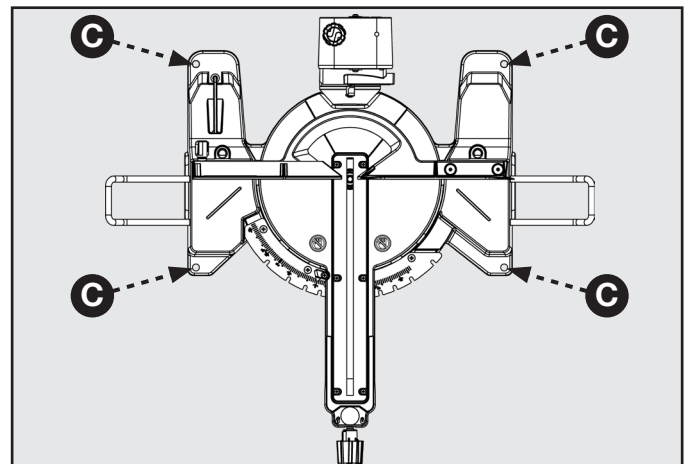


FIGURE 5

# ENSAMBLE

## ⚠ ADVERTENCIA:

- No intente modificar esta herramienta o crear accesorios no recomendados para el uso con esta herramienta. Dicha alteración o modificación representa un uso indebido de la herramienta y puede provocar una condición de peligro.
- No realice la conexión con la fuente de alimentación hasta que no se complete el ensamble. No cumplir con este requisito podría causar un arranque accidental.
- No arranque la sierra ingletadora sin comprobar que no exista una interferencia entre la hoja y la guía tope de inglete. Se puede provocar daños a la hoja si golpea contra la guía tope de inglete durante el funcionamiento de la sierra.
- La sierra puede voltearse si el cabezal de la sierra se suelta de forma repentina y la sierra no está asegurada a una superficie de trabajo. SIEMPRE asegure esta sierra a una superficie de trabajo estable antes de cualquier uso.
- Si alguna pieza está dañada o no se encuentra presente, no utilice la herramienta hasta que no estén presentes todas las piezas. Comuníquese con el Centro de atención al cliente al 1-800-223-7278 para obtener instrucciones.

## EXTENSIONES DE APOYO

Consulte la Figura 6.

Se incluyen extensiones de la mesa en el lado derecho e izquierdo de la sierra.

Para colocar las extensiones de la mesa:

- Inserte los extremos de la extensión (A) en los orificios ubicados en las partes laterales de la base (B).
- Apriete el tornillo de compresión de cabeza hexagonal (B) en el extremo de la extensión (A). Apriete los tornillos.
- Repita el mismo procedimiento para la otra extensión.
- **⚠ ADVERTENCIA:** Sujete y utilice siempre las extensiones de apoyo de la pieza de trabajo durante el uso.

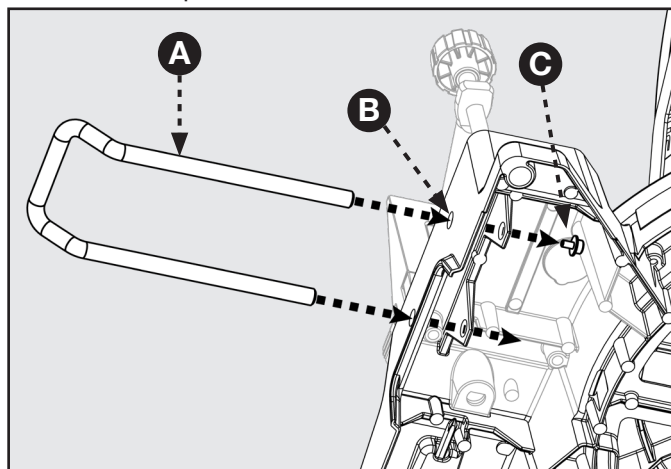


FIGURA 6

## SUJECIÓN DE LA ABRAZADERA DE FIJACIÓN

La abrazadera de fijación horizontal permite asegurar la pieza de trabajo a la guía tope para proporcionar más estabilidad y evitar que la pieza de trabajo se levante hacia la hoja de la sierra. En función de la operación de corte y el tamaño de la pieza de trabajo, puede que sea más recomendable utilizar una abrazadera C en lugar de la abrazadera de fijación para asegurar la pieza de trabajo a la sierra de inglete antes de realizar el corte.

Para colocar la abrazadera de fijación horizontal, consulte la Figura 7 y realice los siguientes pasos:

1. Coloque el eje de la abrazadera (D) en algún orificio (E) de la base de la mesa de inglete.
2. Gire la perilla (F) de la abrazadera hacia la derecha para moverla hacia dentro o hacia la izquierda para moverla hacia fuera, según sea necesario.

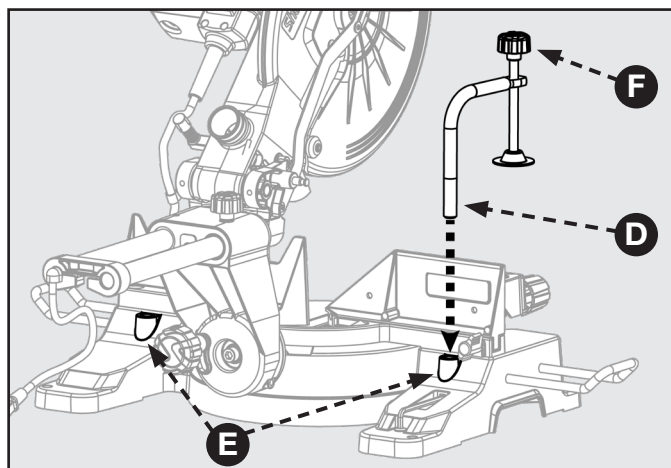


FIGURA 7

## INSTALACIÓN DE LA BOLSA DE RECOLECCIÓN DE POLVO

La herramienta incluye una bolsa de recolección de polvo que se coloca sobre el puerto de salida ubicado en la protección de la guarda superior. Consulte la Figura 8:

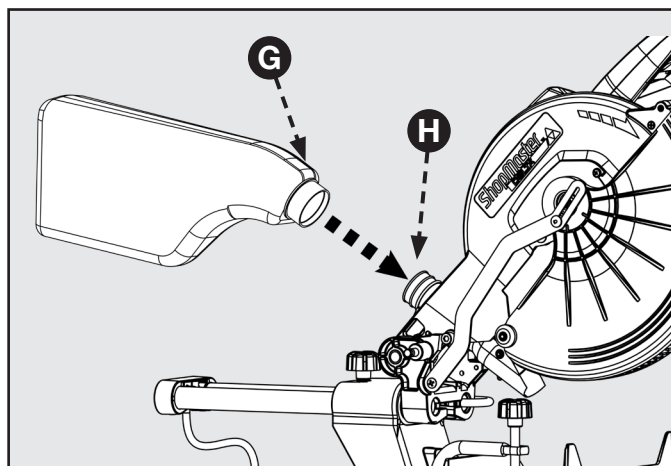


FIGURA 8



# PREPARACIÓN DE LA SIERRA PARA SU USO

## INSTALACIÓN/REEMPLAZO DE LA HOJA

**⚠ ADVERTENCIA:** Según las indicaciones de la sierra, una hoja de 10" es la capacidad máxima para hojas de la sierra. Las hojas más grandes entrarán en contacto con las protecciones de la hoja. Solo utilice hojas que tengan una clasificación para 5500 RPM o más. Solo utilice hojas con un ancho de corte máximo de 2,7 mm o menos.

Consulte la Figura 9.

1. Asegúrese de que la sierra esté desenchufada.
2. Levante el brazo de la sierra hasta su posición vertical más alta.
3. Gire la protección de la hoja inferior (A) hacia arriba. Afloje levemente el tornillo de la tapa del perno de la hoja (B) hasta que pueda mover la tapa del perno de la hoja (C) para ver el perno de la hoja (D).

Consulte la Figura 10.

4. Presione el botón de bloqueo de eje (E).
5. Si se está reemplazando la hoja, gire cuidadosamente la hoja antigua hasta que el eje quede asegurado en su lugar.
6. Con la llave para hojas suministrada, extraiga el perno de la hoja (D) girándolo hacia la derecha.

**NOTA:** El perno de la hoja posee roscas a la izquierda.

7. Extraiga solo la arandela de la hoja exterior (F) y la hoja (G), dejando la arandela de la hoja interior en el eje.

**⚠ ADVERTENCIA:** Si se extrajo la arandela de la hoja interior, vuelva a colocarla antes de colocar la hoja en el eje. De lo contrario, esto podría causar un accidente, puesto que la hoja no estará apretada de forma correcta.

8. Coloque cuidadosamente la hoja de la sierra en la protección de la hoja y guíela hacia el eje, asegurándose de que los dientes de la hoja estén apuntando hacia abajo en la parte frontal de la sierra.
9. Alinee las partes planas "D" dobles de la arandela de la hoja (F) con las partes planas del eje y coloque la arandela en el eje.
10. Bloquee el eje soltando el botón de bloqueo del eje. Apriete el perno de la hoja (D), recordando apretarlo hacia la izquierda. Apriete el perno de la hoja de forma segura con la llave para hojas suministrada.

**⚠ ADVERTENCIA:** Instale siempre la hoja con los dientes de la hoja y la flecha ubicada en la parte lateral de la hoja apuntando hacia abajo en la parte frontal de la sierra. La dirección de rotación de la hoja también está indicada por una flecha en la protección de la hoja superior.

11. Vuelva a colocar la tapa del perno de la hoja y apriete el tornillo de la tapa del perno de la hoja de forma segura. Baje la protección de la hoja.
12. Levante y baje el brazo de la sierra para asegurarse de que el brazo y la protección de la hoja puedan moverse libremente.

**⚠ ADVERTENCIA:** Asegúrese de que el botón de bloqueo de eje no esté activado antes de volver a conectar la sierra a la fuente de alimentación. Nunca active el botón de bloqueo de eje mientras la sierra esté girando.

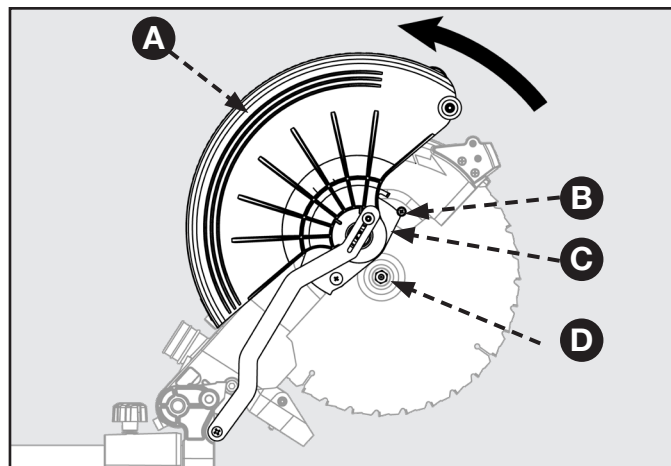


FIGURA 9

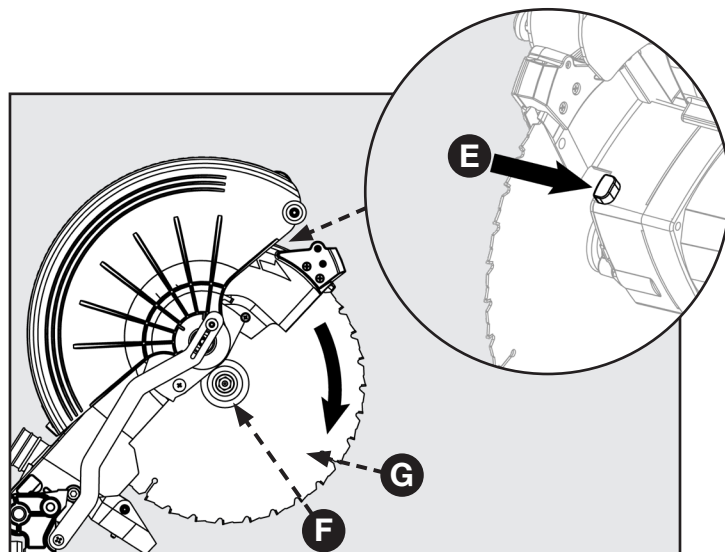


FIGURA 10

**NOTA:** Algunas ilustraciones de este manual indican únicamente partes de esta sierra. Esto se realiza para mostrar más claramente las áreas y los componentes clave de la sierra. Nunca utilice la sierra sin todas las protecciones colocadas en su lugar y en buen estado.

# PREPARACIÓN DE LA SIERRA PARA SU USO

## ALINEACIÓN DE LA HOJA CON LA MESA

Consulte la Figura 11.

1. Desenchufe la sierra.
2. Baje por completo el brazo de la sierra hasta la posición de transporte y coloque el pasador de bloqueo para fijarlo en su lugar.
3. Gire la manija de bloqueo de inglete (A). Coloque la tabla de forma tal que el indicador de escala de inglete (B) muestre 0°.
4. Gire la manija de bloqueo (A) de inglete a la posición de bloqueo para que la mesa no se mueva.
5. Afloje la perilla de bloqueo de bisel (D) y ajuste el ángulo del brazo de la sierra para que quede apoyado contra el tope de bisel de 0° (tal como se indica en la escala de bisel). Esto coloca la hoja a 90° de la mesa.
6. Apriete de forma segura la perilla de bloqueo de bisel (D).

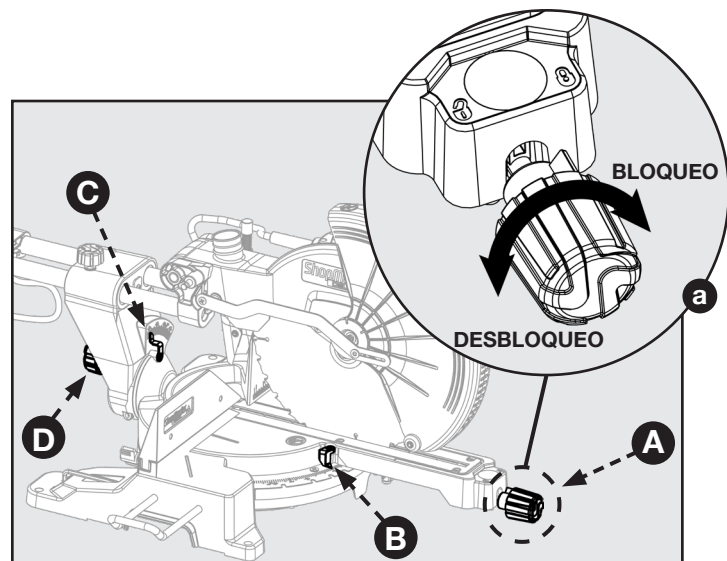


FIGURA 11

Consulte la Figura 12.

7. Coloque una escuadra combinada (E) contra la mesa y la parte frontal de la hoja de la sierra (F).

**NOTA:** Asegúrese de que la escuadra haga contacto con la parte plana de la hoja de la sierra y no con los dientes de la hoja.

8. Gire la hoja a mano y compruebe la alineación hoja-mesa en varios puntos.
9. El borde de la escuadra y la hoja de la sierra deberán estar paralelo, tal como se muestra en la Figura 12.
10. Si la parte superior o inferior de la parte frontal de la hoja no está al ras de la escuadra, consulte la Figura 13 que aparece a continuación y realice los siguientes pasos.
11. Afloje la perilla de bloqueo de bisel (G).
12. Ajuste el tornillo de ajuste del tope positivo (H) para lograr que la hoja de la sierra quede alineada con la escuadra. Consulte "Tornillo de tope positivo" en la sección Ajuste de este manual para obtener más instrucciones detalladas.
13. Vuelva a apretar la perilla de bloqueo de bisel. Vuelva a comprobar la alineación hoja-mesa.

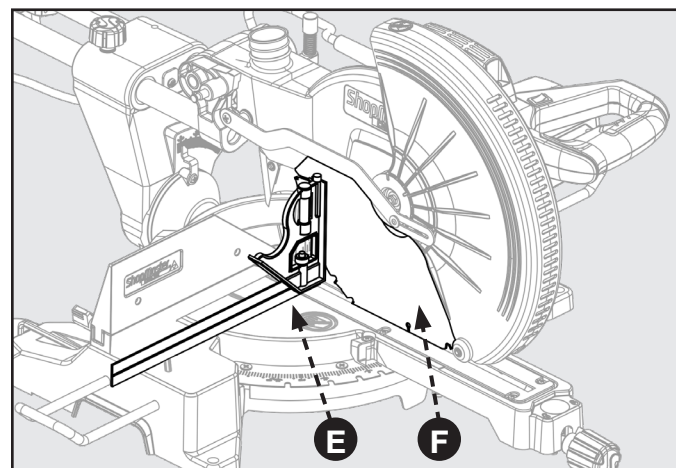


FIGURA 12

**NOTA:** El procedimiento anterior puede utilizarse para comprobar la alineación de la hoja con la mesa de inglete en ángulos de 0° y 45°.

**NOTA:** La sierra posee dos indicadores de escala, uno en la escala de bisel y otro en la escala de inglete. Después de que se realicen los ajustes de escuadra, es posible que sea necesario aflojar los tornillos de los indicadores y restablecerlos a 0.

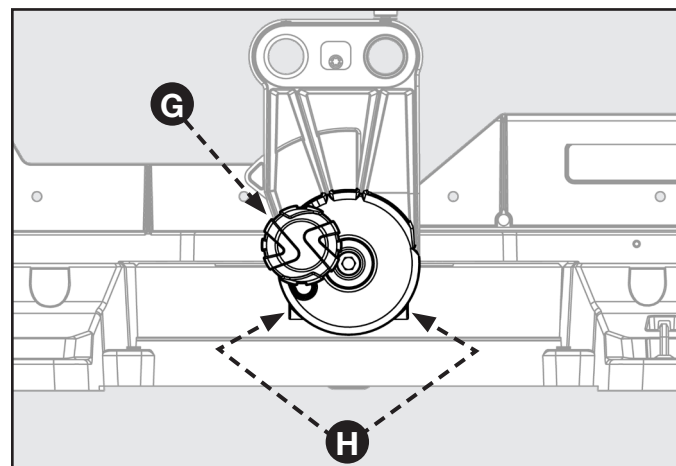


FIGURA 13

# PREPARACIÓN DE LA SIERRA PARA SU USO

## USO DE LA GUÍA LÁSER

Cuando el interruptor de la guía láser se coloca en la posición de activación, proyecta una luz roja sobre la superficie de trabajo, lo que le permite ver su corte antes de realizarlo. Siga los pasos detallados a continuación para garantizar un corte perfecto y recto (consulte la Figura 14):

1. Asegúrese de que la sierra esté desenchufada.
2. Dibuje una línea en la pieza de trabajo en la ubicación en la que desea realizar el corte.
3. Coloque el interruptor del láser (A) en la posición de activación.
4. La línea roja (B) indica la trayectoria de la hoja.
5. Alinee la línea láser y marque con la hoja en la posición más alta.
6. Una vez que ambas líneas estén alineadas, no mueva la pieza de trabajo.
7. Enchufe la sierra a la fuente de alimentación.
8. Realice varios cortes de práctica en diferentes estilos y grosores de material.

### PARA ELIMINAR LA MARCA:

Coloque la línea láser cerca del borde izquierdo de la marca en la superficie de trabajo para cortar en la marca.

### PARA CORTAR EN LA MARCA:

Coloque la línea láser cerca o sobre la marca en la superficie de trabajo para cortar en la marca.

### PARA CORTAR SIN ELIMINAR LA MARCA:

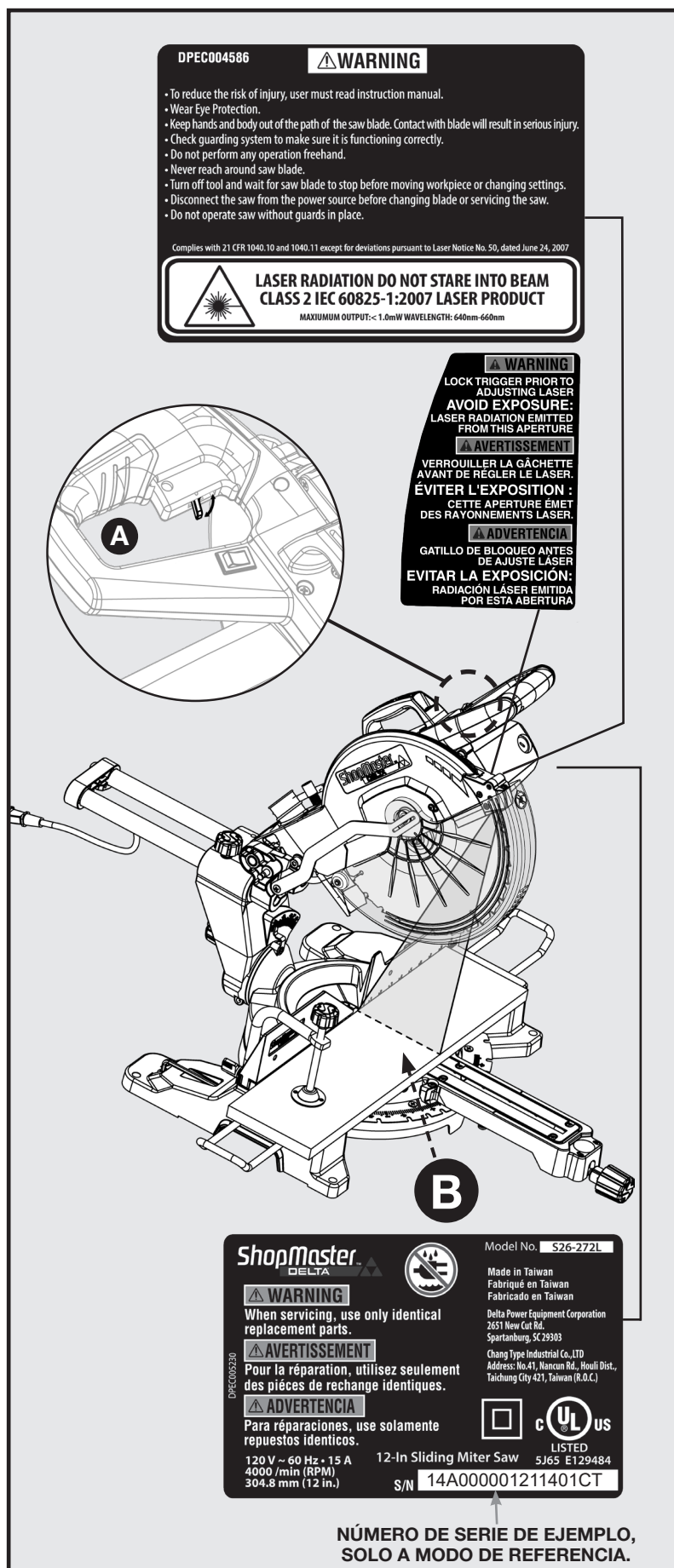
Coloque la línea láser cerca del borde derecho de la marca en la superficie de trabajo para dejar la marca. Después de que se familiarice con el uso de la guía láser, podrá eliminar, cortar o dejar la marca en la superficie de trabajo. La práctica le enseñará la posición correcta para alinear la línea láser con la marca.

#### ⚠ ADVERTENCIA:

- Evite el contacto ocular directo al haz de láser o a su reflejo. Una exposición intensa o prolongada a la radiación láser podría dañar permanentemente sus ojos. No proyecte ni refleje el láser en los ojos de nadie, ni siquiera usted mismo.
- **Precaución** -- el uso de los controles o ajustes o el rendimiento de los procedimientos que no sean aquellos especificados en este documento podrían provocar una exposición peligrosa a radiación.
- No desensamble ni modifique el láser. En el interior no hay ninguna pieza que pueda ser sustituida por el usuario. Podría provocar serios daños oculares.
- El uso o modificación de la guía láser para otro fin que no sea para el que ha sido pensada podría resultar en una exposición peligrosa a radiación.

### REEMPLAZO GRATIS DE LA ETIQUETA DE ADVERTENCIA

Si sus etiquetas de advertencia se tornan ilegibles o faltasen, comuníquese al 1-800-223-7278 para obtener etiquetas gratis de reemplazo.



NÚMERO DE SERIE DE EJEMPLO, SOLO A MODO DE REFERENCIA.



# FUNCIONAMIENTO

## ⚠ ADVERTENCIA:

- No permita que la confianza con las herramientas le haga causar un error por descuido. Recuerde que una fracción de segundo de descuido es suficiente para provocar una lesión personal grave.
- Utilice siempre protección ocular con protecciones laterales y que indique que cumple con ANSI Z87.1. De lo contrario, esto podría causar lesiones personales graves provocadas por el impacto de objetos contra sus ojos.
- No utilice accesorios no recomendados por el fabricante de esta herramienta. El uso de accesorios no recomendados puede causar lesiones personales graves.
- Antes de iniciar cualquier operación de corte, sujete con una abrazadera o perno la sierra ingletadora compuesta a un banco de trabajo. Nunca utilice la sierra ingletadora sobre el piso o en una posición en cuclillas. No seguir esta advertencia podría provocar lesiones personales graves.
- A fin de evitar lesiones personales graves, apriete siempre la manija de bloqueo de inglete y la perilla de bloqueo de bisel de forma segura antes de realizar un corte. De lo contrario, esto podría causar un movimiento del brazo de control o la mesa de inglete al realizar un corte.
- A fin de evitar lesiones personales graves, mantenga las manos alejadas de la zona de prohibición de ingreso de manos, al menos a 7 cm (3") de la hoja. Nunca realice ninguna operación de corte a pulso (sin sujetar la pieza de trabajo contra la guía tope). La hoja podría aprisionar la pieza de trabajo si se resbala o tuerce.
- Al utilizar una abrazadera de fijación o abrazadera C para asegurar la pieza de trabajo, sujete la pieza de trabajo desde únicamente un lado de la hoja. La pieza de trabajo deberá permanecer libre en un lado de la hoja para evitar que la hoja se atasque en la pieza de trabajo. Un atasco de la pieza de trabajo en la hoja provocará que el motor se bloquee y contragolpes. Esta situación podría causar un accidente que derive en lesiones personales graves.
- NUNCA mueva la pieza de trabajo ni realice ajustes a cualquier ángulo de corte mientras la sierra está en uso y la hoja está girando. Cualquier deslizamiento puede provocar un contacto con la hoja, lo que a su vez puede derivar en lesiones personales graves.

Puede utilizar esta herramienta para los siguientes trabajos:

- Corte biselado y corte compuesto para molduras tipo corona, etc.
- Corte transversal de madera y plástico.
- Corte transversal de molduras, revestimientos de puertas, marcos de cuadros, etc.

**NOTA:** Esta sierra está diseñada para cortar madera. La hoja suministrada es apta solo para cortar madera

## BLOQUEO DEL INTERRUPTOR DE ENCENDIDO/APAGADO

Para evitar que una persona no autorizada haga funcionar esta sierra, deberá instalarse un candado (no incluido) en el orificio de bloqueo ubicado en el interruptor de encendido, tal y como se muestra en la Figura 15. Asegúrese de que el candado queda completamente cerrado y bloqueado antes de dejar la sierra sin supervisión.

**⚠ ADVERTENCIA:** Desconecte siempre la fuente de alimentación antes de instalar o retirar el bloqueo del interruptor de encendido. De lo contrario, podría activarse el interruptor de encendido de forma accidental y provocar daños serios.

## DISPOSITIVO DE SEGURIDAD ELECTRICA

Para poder encender el motor de la sierra, deberá activar en primer lugar el dispositivo de seguridad eléctrica ubicado en la manija del interruptor de encendido/apagado, tal como se muestra en la figura 16.

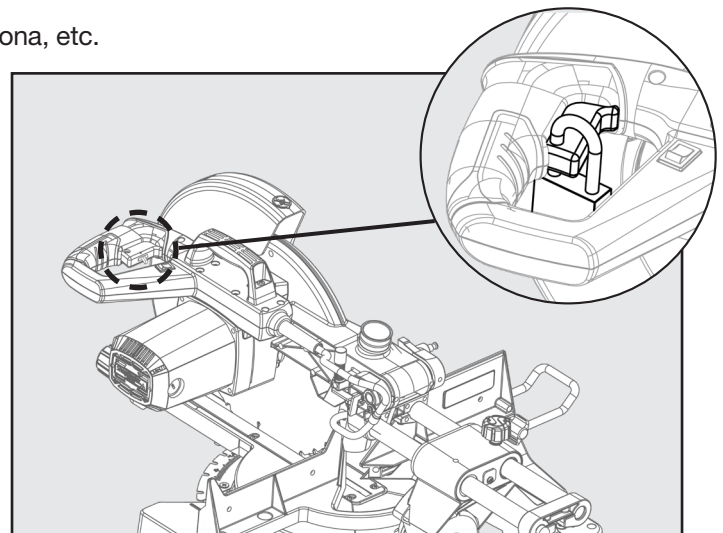


FIGURA 15

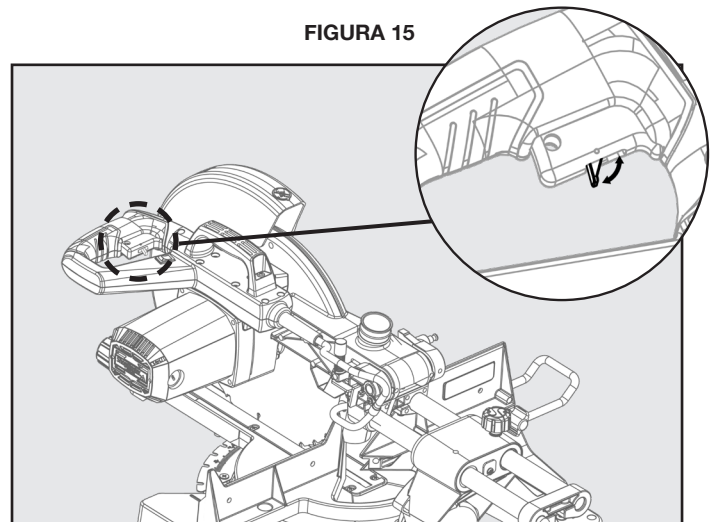


FIGURA 16



## CORTE DESLIZANTE

**⚠ ADVERTENCIA:** Nunca realice un corte tirando de la sierra hacia usted. La hoja puede "trepar" sobre la parte superior de la pieza de trabajo y dirigirse a usted a una velocidad acelerada. No seguir esta advertencia podría provocar lesiones personales graves.

Consulte la Figura 17.

Con la sierra apagada, tire del brazo de la sierra hacia delante. Encienda la sierra (espere a que la hoja alcance una máxima velocidad). Empuje la hoja hacia abajo para cortar en la pieza de trabajo y luego hacia la parte posterior de la sierra para realizar un corte. Los cortes se deberán realizar alejando la hoja de la sierra de usted y hacia la parte posterior de la sierra, deteniéndose en la posición posterior máxima después de cada corte. Durante el funcionamiento de la sierra, **NUNCA** tire de la hoja de la sierra hacia usted o hacia la parte frontal de la sierra. Consulte la advertencia anterior.

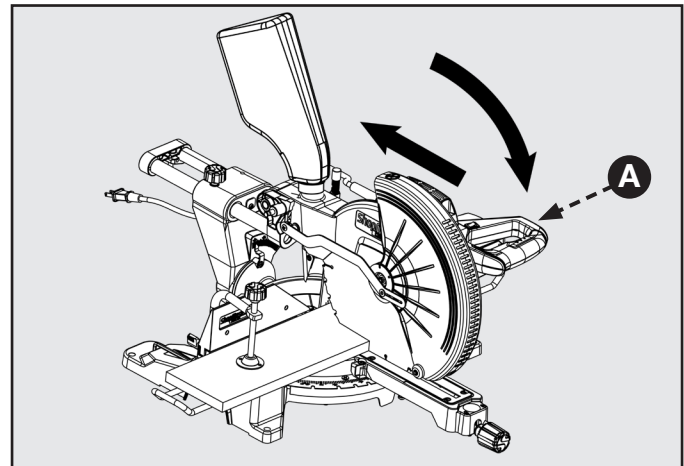


FIGURA 17

1. Levante el brazo a su altura máxima.
2. Coloque la pieza de trabajo de forma plana en la mesa de inglete con un borde colocado de forma segura contra la guía tope. Si la placa está deformada, coloque el lado convexo contra la guía tope. Si el borde cóncavo de una placa se coloca contra la guía tope, la placa podría hundirse en la hoja al final de corte, lo que provocará un atasco de la hoja. Consulte la Figura 18.
3. Al cortar piezas largas de madera o molduras, apoye el extremo opuesto del material con una base o con una mesa de trabajo niveladas con la mesa de la sierra.
4. Alinee la línea de corte de la pieza de trabajo con la hoja o línea láser.
5. Afloje la perilla de bloqueo de deslizamiento.
6. Sujete el material firmemente con una mano contra la guía tope. Utilice la abrazadera de sujeción para asegurar la pieza de trabajo siempre que sea posible.
7. Con la sierra apagada, realice una prueba del corte para asegurarse de que no ocurrirán problemas cuando se realice un corte real.
8. Con la sierra apagada, sujete firmemente la manija de la sierra y luego tire la sierra hacia delante hasta que el centro de la hoja de la sierra esté sobre el borde frontal de la pieza de trabajo o hasta que la sierra esté totalmente extendida.
9. Presione el interruptor de gatillo de encendido. Espere a que la hoja alcance la máxima velocidad.
10. Baje lentamente la hoja a través del borde frontal de la pieza de trabajo.
11. Solo utilice el mango de la sierra (E) para colocar las manos. NO coloque las manos sobre el alojamiento del motor.
12. Mientras sujeta la pieza de trabajo, empuje la manija de la sierra alejándola de usted y hacia la parte posterior de la sierra.
13. Suelte el interruptor de encendido y espere a que la hoja de la sierra deje de girar antes de levantarla de la pieza de trabajo. Después de que se detenga la hoja, extraiga la pieza de trabajo de la mesa de inglete.

**NOTA:** Un corte transversal se realiza cortando transversalmente contra la dirección de la veta de la pieza de trabajo. Un corte recto se realiza con la mesa de inglete ajustada en la posición de 0°. Los cortes transversales de inglete se realizan con la mesa de inglete ajustada en un ángulo que no sea 0°.

### CORTES BISELADOS

Un corte biselado se realiza contra la veta con la hoja en ángulo con la pieza de trabajo. Un bisel recto significa que el indicador de escala de inglete se ajusta en 0° y que el indicador de escala de bisel se ajusta en un ángulo que no sea 0°.

### CORTES EN INGLETE COMPUESTOS

Un corte en inglete compuesto se realiza utilizando un ángulo de inglete y un ángulo de biselado al mismo tiempo. Los ajustes de inglete y biselado son interdependientes. Cada vez que ajuste la configuración de inglete, se cambiará el efecto de la configuración de biselado. Además, cada vez que ajuste la configuración de biselado, se cambiará el efecto de la configuración de inglete.

### RECOMENDACIONES PARA CORTAR MOLDURAS TIPO CORONA

- Los dos bordes de la moldura que hacen contacto con el techo y la pared están en ángulos que, cuando se combinan, equivalen a exactamente 90°. La mayoría de las molduras tipo corona tienen un ángulo posterior superior (la sección que se coloca de forma plana contra el techo) de 52° y un ángulo posterior inferior (la sección que se coloca de forma plana contra la pared) de 38°.
- Para cortar de forma precisa molduras tipo corona para una esquina interior o exterior de 90°, coloque la moldura con su superficie posterior ancha de forma plana sobre la mesa de inglete y contra la guía tope.

# FUNCIONAMIENTO

- Los ángulos de las molduras tipo corona deben ser sumamente precisos. Los ángulos de biselado e inglete son interdependientes. Al cambiar un ángulo, también se cambiará el otro.
- Debido a que es sumamente sencillo que la pieza de trabajo se mueva, todos los ajustes deberán probarse en primer lugar en una moldura de descarte. Además, la mayoría de las paredes no tienen ángulos de exactamente 90°, por lo tanto, deberá realizar ajustes precisos.
- Al cortar una moldura tipo corona, el ángulo de biselado deberá fijarse en 33,85°.
- El ángulo de inglete deberá fijarse en 31,62°, ya sea a la derecha o izquierda, en función del corte deseado para la aplicación. Consulte la tabla que aparece a continuación para conocer los ajustes de ángulos correctos y el posicionamiento correcto de las molduras tipo corona en la mesa de trabajo.

Ajuste de ángulo de biselado	Tipo de corte	Pasos
33,85°	Lado izquierdo, esquina interior	1. Borde superior de la moldura contra la guía tope 2. Mesa de inglete ajustada a la derecha en 31,62° 3. Conserve el extremo izquierdo del corte
33,85°	Lado derecho, esquina interior	1. Borde inferior de la moldura contra la guía tope 2. Mesa de inglete ajustada a la izquierda en 31,62° 3. Conserve el extremo izquierdo del corte
33,85°	Lado izquierdo, esquina exterior	1. Borde inferior de la moldura contra la guía tope 2. Mesa de inglete ajustada a la izquierda en 31,62° 3. Conserve el extremo derecho del corte
33,85°	Lado derecho, esquina exterior	1. Borde superior de la moldura contra la guía tope 2. Mesa de inglete ajustada a la derecha en 31,62° 3. Conserve el extremo derecho del corte

## CORTE DE MATERIAL COMBADO

Al intentar cortar material combado, el lado CONVEXO deberá colocarse contra la guía tope, tal como se muestra en la Figura 18.

Nunca coloque material combado con el lado o borde CÓNCAVO contra la guía tope, tal como se muestra en la Figura 19. La hoja quedará aprisionada cerca de finalizar el corte.

**⚠ ADVERTENCIA:** A fin de evitar un contragolpe y lesiones personales graves, nunca coloque el borde cóncavo del material combado o arqueado contra la guía tope.

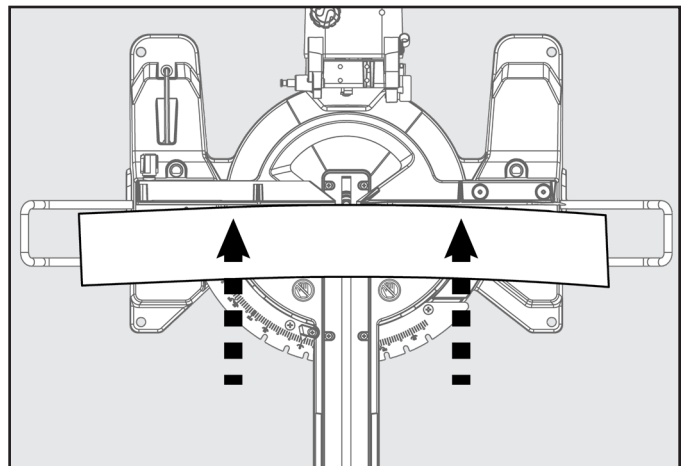


FIGURA 18

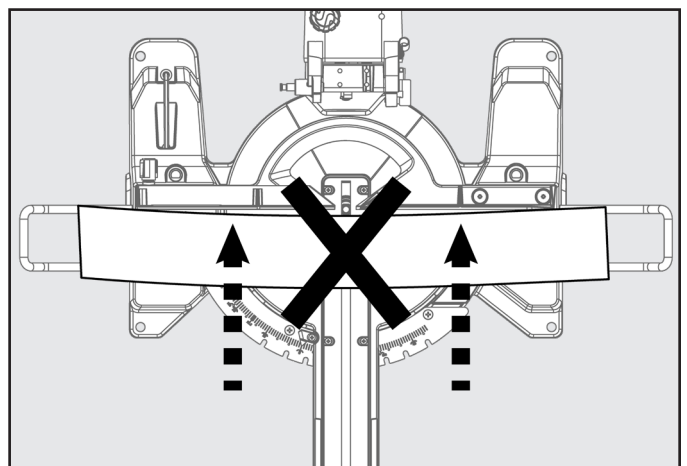


FIGURA 19

# FUNCIONAMIENTO

## SUJECIÓN DE PIEZAS DE TRABAJO ANCHAS

Al cortar piezas de trabajo anchas, como de 5 X 30 cm (2" X 12"), sujete la pieza de trabajo a la mesa de trabajo con una abrazadera de sujeción (A), tal como se muestra en la Figura 20.

**⚠ ADVERTENCIA:** Mantenga las abrazaderas alejadas de la trayectoria de la hoja y el conjunto de las protecciones de la hoja.

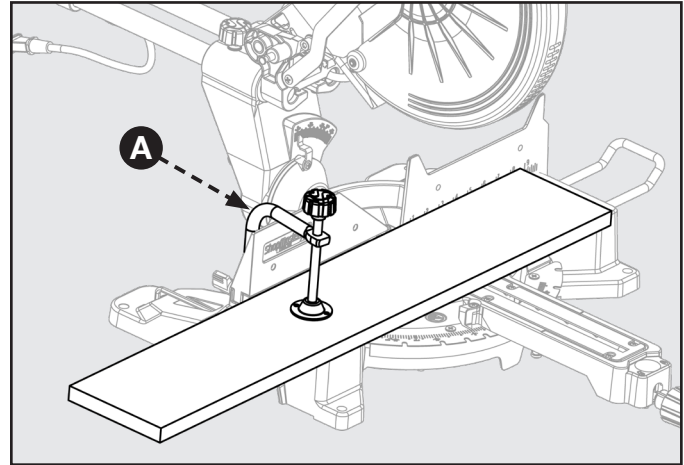


FIGURA 20

## APOYO DE PIEZAS DE TRABAJO LARGAS

En la mayoría de los casos, las extensiones de la mesa incluidas (apoyos de las piezas de trabajo) serán suficientes para apoyar las piezas de trabajo más largas. Si no son lo suficientemente largas, la pieza de trabajo deberá apoyarse desde fuera de la sierra. Se puede utilizar un apoyo adicional (B) para lograr que la pieza de trabajo quede apoyada de forma plana en la mesa de la sierra. Utilice la abrazadera de fijación incluida o una abrazadera C (C) para asegurar la pieza de trabajo a la mesa de la sierra ingletadora. Consulte la Figura 21.

**⚠ ADVERTENCIA:** Mantenga las abrazaderas alejadas de la trayectoria de la hoja y el conjunto de las protecciones de la hoja.

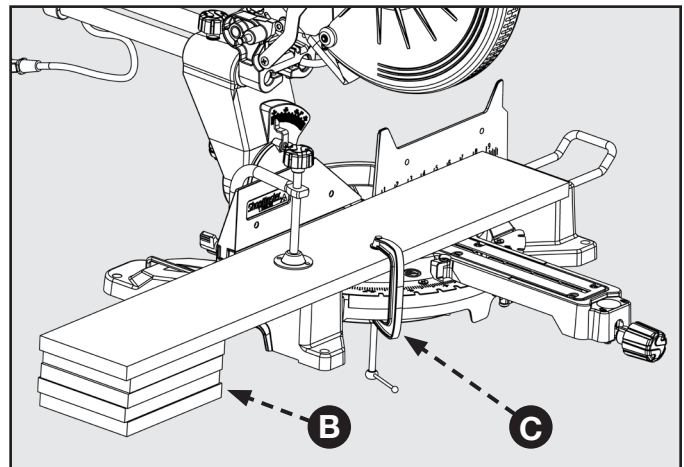


FIGURA 21

# AJUSTES

**⚠ ADVERTENCIA:** Antes de realizar algún ajuste, asegúrese de que la sierra esté desenchufada de la fuente de alimentación. No seguir esta advertencia podría provocar lesiones personales graves. La sierra ingletadora compuesta ha sido ajustada de forma precisa en la fábrica. Debido al envío o uso normal, es posible que sea necesario volver a realizar algunos ajustes. Compruebe los siguientes ajustes de forma periódica para garantizar una precisión correcta y un funcionamiento seguro.

**⚠ PRECAUCIÓN:** Inspeccione si existe una interferencia entre la hoja y la placa de garganta antes de conectar la sierra a la fuente de alimentación.

## PIVOTE DEL BRAZO

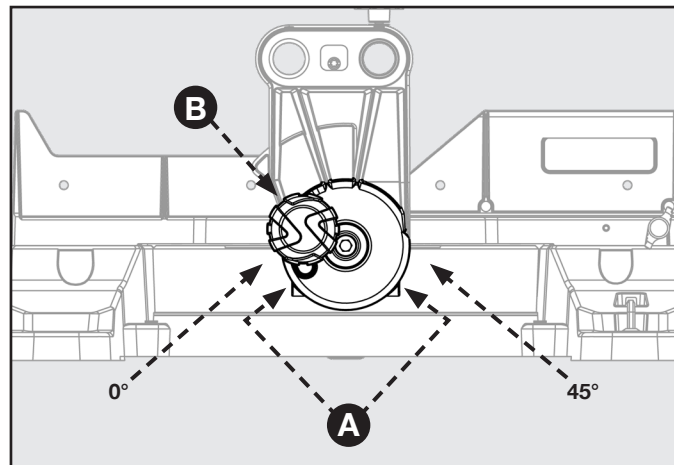
El brazo de la sierra deberá levantarse y bajarse de forma completa y libre. En la posición hacia abajo y con el pasador de bloqueo extraído, el brazo deberá levantarse a la posición superior por sí solo. Si la sierra no se eleva por sí sola o si existe juego en las juntas de pivote, se deberá reparar profesionalmente la herramienta en un CENTRO DE SERVICIO TÉCNICO AUTORIZADO. Comuníquese con el Centro de atención al cliente de la empresa al 1-800-223-7278.

## TORNILLO DE TOPE POSITIVO

La colocación del tornillo de ajuste del tope positivo se estableció de fábrica y generalmente no requerirá ningún ajuste. Si la hoja no está en escuadra con la mesa, se deberá volver a ajustar el tornillo de ajuste del tope positivo.

Para realizar el ajuste, consulte la Figura 22.

1. Desenchufe la sierra.
2. Afloje la perilla de bloqueo de bisel (B) girándola hacia la izquierda.
3. Utilizando el extremo Phillips de la llave para hojas, ajuste el tornillo de ajuste del tope positivo (A).
4. Coloque la hoja en escuadra con la mesa de inglete tal como se describe en la sección ALINEACIÓN DE LA HOJA CON LA MESA, que encuentra en la página 13.
5. Vuelva a apretar la perilla de bloqueo de bisel (B). Vuelva a comprobar la alineación hoja-mesa.
6. La sierra posee dos indicadores de escala, uno en la escala de bisel y otro en la escala de inglete. Después de que se realicen los ajustes de escuadra, es posible que sea necesario aflojar los tornillos de los indicadores y restablecerlos a 0.



22

**NOTA:** Utilice este procedimiento para comprobar que la hoja esté en escuadra con la mesa en ángulos de 0° y 45°.

## PIVOTE DE BISELADO

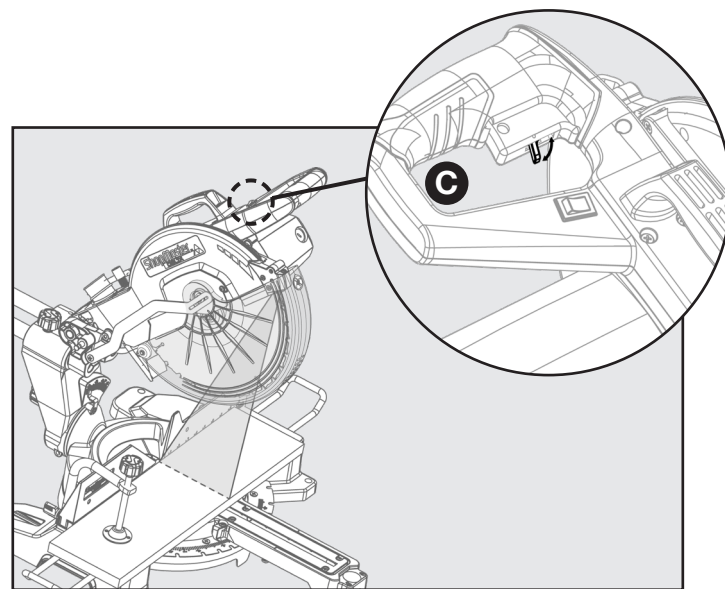
Con la perilla de bloqueo de bisel aflojada, el brazo de control de la sierra deberá inclinarse fácilmente desde 0° y 45°. Si esto no ocurre o si existe juego en el pivote, se deberá reparar la sierra en un CENTRO DE SERVICIO TÉCNICO AUTORIZADO.

## GUÍA LASER

**⚠ PELIGRO:** Radiación láser. Evite el contacto directo de los ojos con la fuente de luz.

Consulte la Figura 23.

1. Asegure una pieza de material de descarte a la superficie de la mesa con una abrazadera de fijación o una abrazadera C.
2. Enchufe la sierra a la fuente de alimentación y realice un corte pequeño para marcar la madera.
3. Suelte el interruptor de gatillo, asegúrese de que la hoja se detenga por completo y, a continuación, levante el brazo de la sierra a la posición vertical.
4. Desenchufe la sierra. No extraiga la pieza de descarte.
5. Encienda el interruptor del láser (C). Si está alineado de forma correcta, el láser deberá estar alineado con el borde izquierdo del corte parcial que acaba de realizar.
6. Si el láser no queda alineado de forma correcta con el corte, consulte las páginas 20 y 21 para obtener instrucciones detalladas sobre la calibración del láser.



23



# AJUSTES

## AJUSTE DEL TOPE DE PROFUNDIDAD

Esta sierra ingletadora está equipada con un tope de profundidad ajustable para realizar cortes pasantes y no pasantes.

**Consulte la Figura 24 y siga estas instrucciones para establecer el tope de profundidad en una profundidad de corte específica:** utilice un destornillador Phillips para aflojar el tornillo (C) y, a continuación, gire el soporte del tope (B) hacia la izquierda para llegar a la posición hacia abajo. Asegúrese de volver a apretar el tornillo (C). La profundidad de corte ahora puede ajustarse girando el tornillo de ajuste de profundidad (A).

**Consulte la Figura 24 y siga estas instrucciones para realizar un corte pasante:** utilice un destornillador Phillips para aflojar el tornillo (C) y, a continuación, gire el soporte del tope (B) hacia la derecha para llegar a la posición hacia arriba. Asegúrese de volver a apretar el tornillo (C).

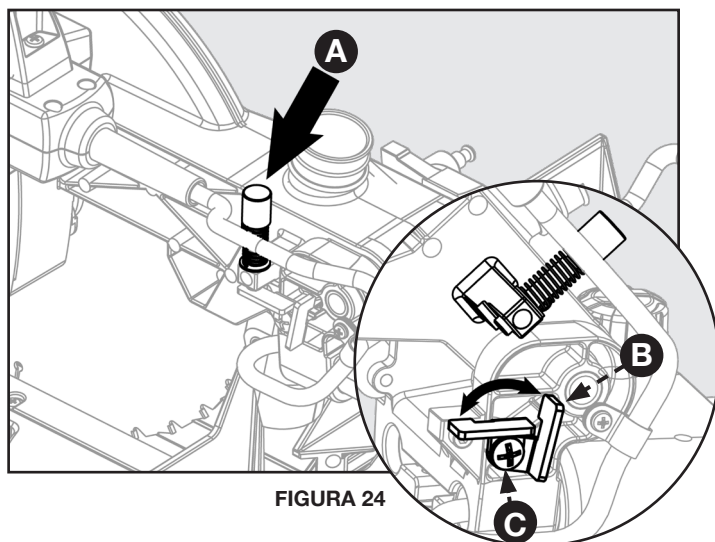


FIGURA 24

**⚠ PELIGRO:** Inspeccione siempre para asegurarse de que el tornillo (C) esté apretado antes de realizar un corte. No seguir estas reglas podría provocar lesiones.

## AJUSTE DE LA EXTENSIÓN DE LA GUÍA TOPE

Esta sierra está equipada con una guía tope de extensión ajustable. Para extender o retraer la guía tope, consulte la Figura 25 y siga estas instrucciones: Afloje la tuerca de mariposa (E) girando hacia la izquierda y deslice la guía tope (D) hacia la posición deseada. Asegúrese de volver a apretar la tuerca de mariposa (E) girándola hacia la derecha.

**⚠ PELIGRO:** Inspeccione siempre para asegurarse de que la tuerca de mariposa (E) esté apretada antes de realizar un corte. No seguir estas reglas podría provocar lesiones.

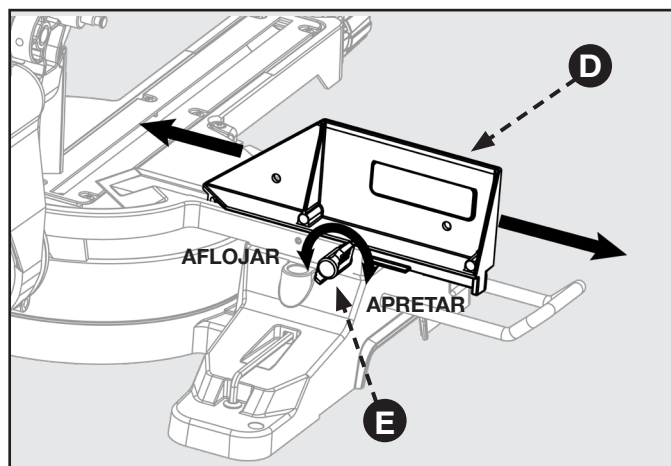


FIGURA 25

## AJUSTE DEL LÁSER

Esta sierra está equipada con un láser ajustable que proyecta una línea roja en la superficie de la pieza de trabajo. Consulte la Figura 26. Consulte la sección "Uso de la guía láser" en la página 58 para obtener más información sobre cómo utilizar el láser. Esta sección le proporcionará instrucciones sobre cómo ajustar la alineación del láser para obtener cortes más precisos.

**⚠ ADVERTENCIA:**

- Evite el contacto ocular directo al haz de láser o a su reflejo. Una exposición intensa o prolongada a la radiación láser podría dañar permanentemente sus ojos. No proyecte ni refleje el láser en los ojos de nadie, ni siquiera usted mismo.
- **Precaución** -- el uso de los controles o ajustes o el rendimiento de los procedimientos que no sean aquellos especificados en este documento podrían provocar una exposición peligrosa a radiación.
- El uso o modificación de la guía láser para otro fin que no sea para el que ha sido pensada podría resultar en una exposición peligrosa a radiación.

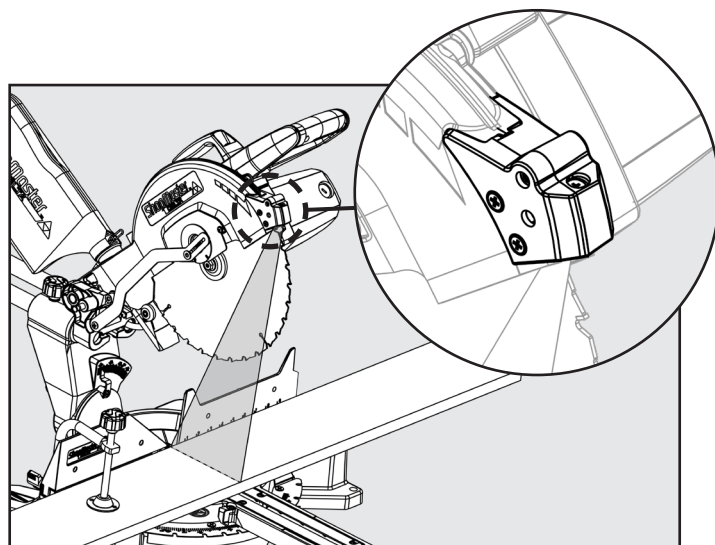


FIGURA 26

## AJUSTE PARA LOGRAR UN LÁSER PARALELO

Si advierte que la línea láser no está perfectamente paralela a la hoja de la sierra, consulte la Figura 27 y siga estas instrucciones: utilice un destornillador Phillips para girar el tornillo (A) hasta que la línea láser quede paralela a la hoja de la sierra.

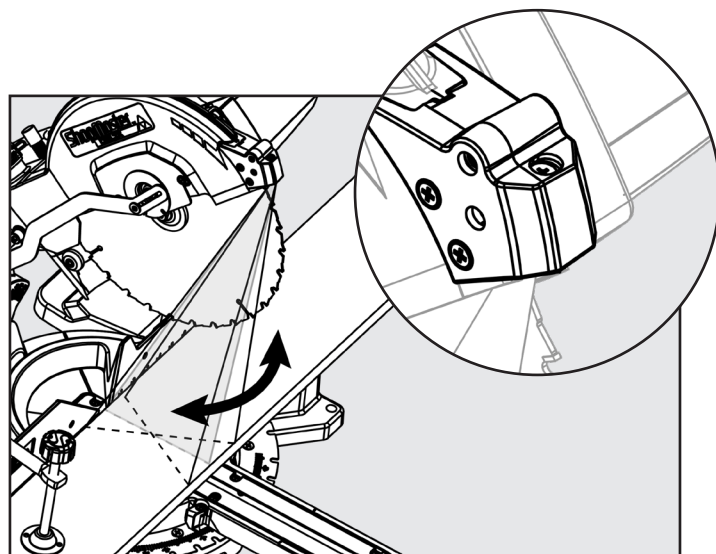


FIGURA 27

## AJUSTE DEL ÁNGULO VERTICAL DEL LÁSER

Si advierte que la línea del láser no permanece paralela a la hoja a medida que se baja el cabezal de la sierra para realizar un corte, consulte la Figura 28 y siga estas instrucciones: utilice un destornillador Phillips para girar el tornillo (B) a fin de ajustar el ángulo vertical del láser.

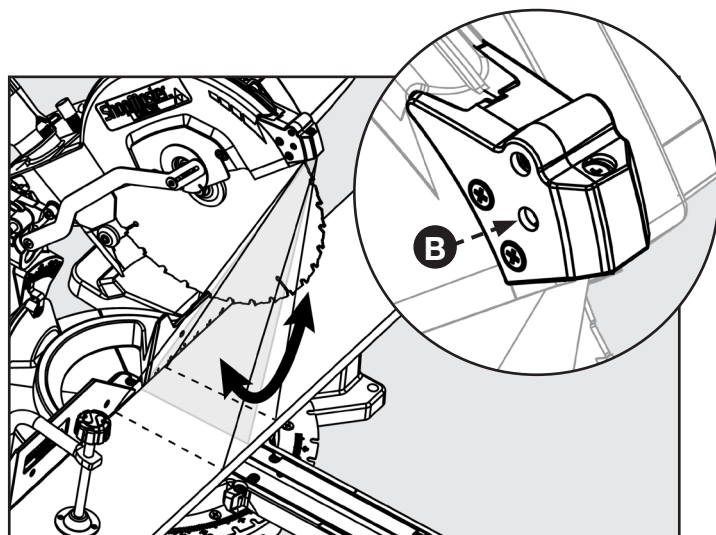


FIGURA 28

## AJUSTE DEL DESVÍO DEL LÁSER

Si advierte que la línea láser está desviada de la línea de corte real, consulte la Figura 29 y siga estas instrucciones: utilice un destornillador Phillips para girar el tornillo (C) para ajustar el desvío.

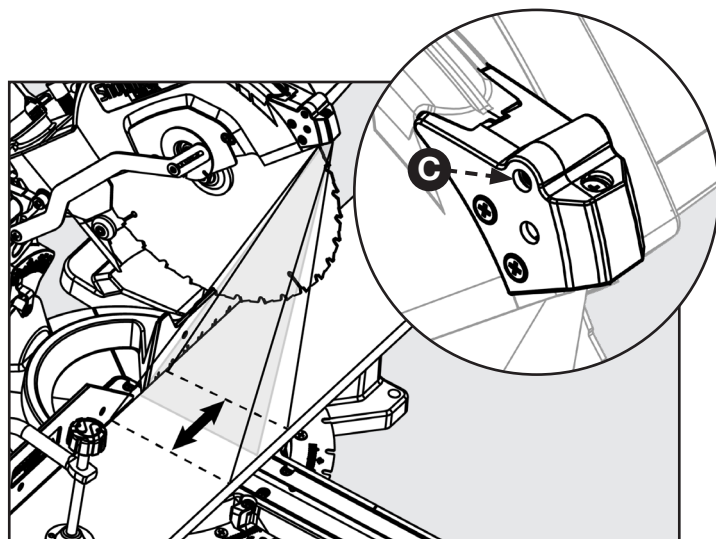


FIGURA 29

# MANTENIMIENTO

**⚠ ADVERTENCIA:** Para reducir el riesgo de lesiones, apague la unidad y desconéctela de la fuente de alimentación, antes de limpiar o realizar el mantenimiento, instalar y extraer accesorios, antes de ajustar y al realizar reparaciones. Un arranque accidental puede provocar una lesión.

## MANTENGA LIMPIA LA HERRAMIENTA

Sopletee periódicamente todos los conductos de aire con aire comprimido seco. Todas las partes de plástico deben limpiarse con un paño húmedo y suave. NUNCA utilice solventes para limpiar las partes de plástico. Pueden disolver o dañar de alguna manera el material. Use equipo de seguridad certificado para protección ocular, auditiva y respiratoria al usar aire comprimido.

Vacíe con frecuencia la bolsa de polvo.

**⚠ ADVERTENCIA:** Durante el servicio técnico de la herramienta, utilice solamente piezas de reemplazo idénticas. El uso de cualquier otra pieza puede representar un peligro y provocar daños en el producto.

## MANTENIMIENTO GENERAL

Evite utilizar solventes al limpiar las piezas de plástico.

La mayoría de los plásticos son susceptibles a los daños provocados por los diferentes tipos de solventes comerciales y podrían sufrir daños a partir de su uso.

## REEMPLAZO DE LAS ESCOBILLAS

El motor de esta sierra posee conjuntos de escobillas de acceso externo que deberán inspeccionarse de forma periódica para comprobar si están desgastados. Si es necesario reemplazar las escobillas, consulte la Figura 30 y realice los siguientes pasos:

1. Desenchufe la sierra.

**⚠ ADVERTENCIA:** No desenchufar la sierra podría causar un arranque accidental que provoque lesiones personales graves.

2. Con un destornillador, extraiga cuidadosamente la tapa de las escobillas (A).

**NOTA:** Extraiga lentamente la tapa. El conjunto de las escobillas posee un sistema de sujeción por resorte y saldrá hacia fuera una vez que se extraiga la tapa.

3. Extraiga el conjunto de escobillas (B).
4. Inspeccione ambas escobillas. Si alguna de las dos escobillas tiene menos de 60 cm (1/4") de carbono restante, se deberán reemplazar ambas escobillas.

**NOTA:** No reemplace la escobilla de un lado sin reemplazar la del otro.

5. Inserte ambas escobillas en el tubo de las escobillas (C), asegurándose de que la curvatura de las escobillas coincida con la curvatura del motor. El conjunto de escobillas deberá moverse libremente dentro del tubo.
6. Vuelva a colocar con cuidado la tapa de las escobillas, asegurándose de que no quede con las roscas cruzadas.
7. Apriete la tapa de las escobillas de forma segura. No apriete en exceso.

Utilice paños limpios para quitar la suciedad, el polvo, el aceite, la grasa, etc.

**⚠ ADVERTENCIA:** Bajo ninguna circunstancia, permita que líquidos de frenos, gasolina, productos a base de petróleo, aceites penetrantes, etc. entren en contacto con las piezas de plástico. Los químicos pueden dañar, debilitar o destruir los plásticos, lo que podría provocar lesiones personales graves.

Las herramientas eléctricas utilizadas en materiales de fibra de vidrio, paneles de yeso, compuestos de resanar o yeso están sujetas a desgaste acelerado y posibles fallas prematuras debido a que las partículas y limaduras de fibra de vidrio son altamente abrasivas para los cojinetes, escobillas, conmutadores, etc. Por consiguiente, no recomendamos utilizar esta herramienta para el trabajo prolongado en estos tipos de materiales. Sin embargo, si trabaja con alguno de estos materiales, es sumamente importante que limpie la herramienta con aire comprimido.

## LUBRICACIÓN

Todos los cojinetes de esta herramienta están lubricados con una cantidad suficiente de lubricante de alta calidad para toda la vida útil de la herramienta. Por lo tanto, no se requiere ninguna lubricación adicional.

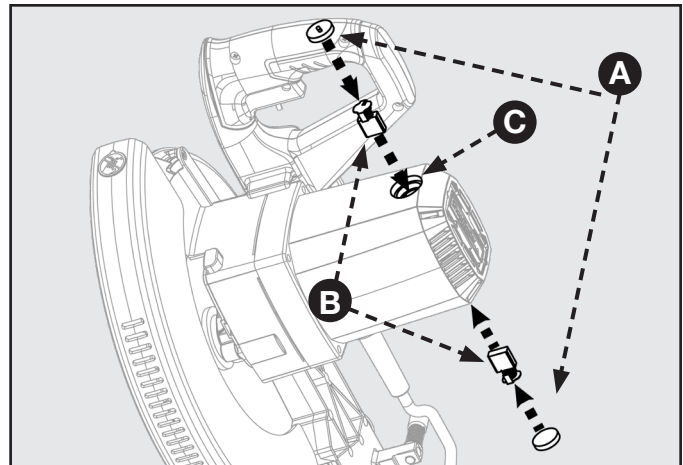


FIGURA 30

# RESOLUCIÓN DE PROBLEMAS

## LA SIERRA NO ARRANCA

Si su máquina no arranca, verifique que las clavijas del enchufe tengan un buen contacto con el tomacorriente. Asimismo, verifique que no haya fusibles fundidos o un disyuntor abierto en su línea de fuente de alimentación. Si la sierra sigue sin arrancar, comuníquese con el Centro de atención al cliente de la empresa al 1-800-223-7278.



# ACCESORIOS

Para obtener información sobre los accesorios, visite nuestro sitio web para acceder a un catálogo en línea o para encontrar el nombre de su distribuidor más cercano.

**⚠ ADVERTENCIA:** Puesto que los accesorios distintos a los ofrecidos por DELTA® aún no han sido probados con este producto, el uso de dichos accesorios podría ser peligroso. Para lograr el funcionamiento más seguro, solo deben usarse accesorios recomendados por SHOPMASTER con este producto.

## ASISTENCIA PARA PIEZAS, SERVICIO O GARANTÍA

Todas las máquinas y accesorios SHOPMASTER están fabricados con los estándares de calidad más altos y su servicio técnico es realizado a través de una red de centros de servicio técnico autorizados. Para obtener información adicional relacionada con el producto o para obtener piezas, solicitar el servicio técnico o asistencia en garantía, o conocer la ubicación del centro de servicio técnico más cercano, comuníquese al 1-800-223-7278.

### Garantía limitada de 3 años

- COBERTURA.** Delta Power Equipment Corporation (en adelante, "la Empresa"), reparará o reemplazará, a su sola opción, este producto, si se adquirió en un comercio minorista de los Estados Unidos y Canadá y se demostró que el producto, con su uso normal, tiene defectos en los materiales o mano de obra, sujeto a las condiciones establecidas en esta garantía limitada. Esta garantía limitada cubre únicamente materiales y mano de obra. Todos los costos de transporte quedan a cargo del cliente.
- PERÍODO DE GARANTÍA.** Todos los reclamos en garantía deberán enviarse en el plazo de 3 años a partir de la fecha de la compra en el comercio minorista. En el caso de piezas de reemplazo y productos reacondicionados de fábrica, el período de garantía será de 180 días.
- CÓMO OBTENER EL SERVICIO TÉCNICO EN GARANTÍA.** A fin de obtener el servicio técnico en garantía, deberá devolver el producto defectuoso, a cuenta propia, a un centro de servicio técnico autorizado por la Empresa para la ejecución del servicio técnico en garantía (un "Centro de servicio técnico autorizado por la empresa") dentro del período de garantía aplicable, junto con un comprobante de compra válido, como el recibo original que incluya la fecha de compra o un número de registro del producto. La Empresa se reserva el derecho de restringir el servicio técnico en garantía al país donde se realizó la compra y/o cobrar por el costo de exportar las piezas de reemplazo u ofrecer el servicio técnico en garantía en otro país. Para este propósito, las compras en línea se consideran como realizadas en los Estados Unidos. Para conocer la ubicación del Centro de servicio técnico autorizado por la empresa más cercano, comuníquese con el Centro de atención al cliente de la empresa al 1-800-223-7278.
- EXCLUSIONES.**
  - La Empresa no ofrece ninguna garantía a productos adquiridos en condición de usados o dañados.
  - La Empresa no concede ninguna garantía a productos adquiridos fuera de los Estados Unidos o Canadá.
  - La Empresa no será responsable de ningún daño que surja a partir del desgaste normal, uso indebido, uso incorrecto o cualquier reparación o modificación realizada por personas que no pertenezcan al Centro de servicio técnico autorizado por la empresa o no sean un representante designado del Centro de atención al cliente de la Empresa.
  - Todas las GARANTÍAS IMPLÍCITAS están limitadas al período de garantía establecido anteriormente.
  - La Empresa no será responsable de daños ACCIDENTALES O CONSECUENTES.
  - Esta garantía es la única garantía de la Empresa y se establece como la reparación exclusiva del cliente, con respecto a productos defectuosos; la Empresa desconoce todas las otras garantías, expresas o implícitas, sean de comerciabilidad, adecuación para un propósito, excepto que se detalle explícitamente en esta declaración de garantía.

Algunos estados no permiten la exclusión o limitación de los daños accidentales o consecuentes, ni la limitación de las garantías implícitas, por lo tanto, las limitaciones o exclusiones podrían no aplicarse a su caso. Esta garantía le concede derechos legales específicos y es posible que posea otros derechos, que varían en determinados estados o provincias. Para obtener información detallada sobre la cobertura de la garantía e información sobre la reparación en garantía, comuníquese al 1-800-223-7278. Para registrar sus productos en línea, le recomendamos que visite nuestro sitio web y se registre para obtener una cuenta de miembro de DELTA® gratuita en <http://www.deltamachinery.com/register>.

**LATINOAMÉRICA:** Esta garantía no se aplica a productos comercializados en Latino América. Para productos vendidos en América Latina, llame a la empresa local o visite el sitio web para obtener información sobre la garantía.

### PIEZAS DE REEMPLAZO

Las únicas partes reemplazables por el usuario en esta herramienta son:

- 1) Hoja de sierra
- 2) Cepillos de motor

Todas las demás partes no mencionadas anteriormente deben ser reemplazadas por un agente DELTA® autorizado.

Las. Utilice solamente piezas de reemplazo idénticas. Para obtener una lista de las piezas o solicitar piezas, visite nuestro sitio web en [www.DeltaMachinery.com/service](http://www.DeltaMachinery.com/service). También puede solicitar las piezas a través del Centro de servicio técnico en garantía autorizado más cercano o comunicándose con el gerente de servicio técnico al 1-800-223-7278 para recibir asistencia personalizada de uno de nuestros representantes altamente capacitados.

### REEMPLAZO GRATIS DE LA ETIQUETA DE ADVERTENCIA

Si sus etiquetas de advertencia se tornan ilegibles o faltasen, llame al 1-800-223-7278 para obtener etiquetas gratis de reemplazo.

### MANTENIMIENTO Y REPARACIONES

Todas las herramientas de alta calidad requerirán eventualmente el mantenimiento y/o reemplazo de las piezas. Para obtener información sobre Delta Power Equipment Corporation, sus filiales con fábricas propias o para encontrar un Centro de servicio técnico en garantía autorizado, visite nuestro sitio web [www.DeltaMachinery.com/service](http://www.DeltaMachinery.com/service) o comuníquese con nuestro Centro de atención al cliente al 1-800-223-7278. Todas las reparaciones realizadas por nuestros centros de servicio técnico están totalmente garantizadas frente a defectos en los materiales y mano de obra. No podemos ofrecer una garantía para las reparaciones realizadas o intentadas realizar por otras personas. Al comunicarse con este número, también puede encontrar respuestas a las preguntas más frecuentes las 24 horas del día.

También puede escribirnos para obtener más información a la siguiente dirección: Delta Power Equipment Corporation, 2651 New Cut Road, Spartanburg, SC 29303 - A la atención de: Gerente de servicio técnico. Asegúrese de incluir toda la información que aparece en la placa de identificación de la sierra (modelo, tipo, número de sierra, código de fecha, etc.).



# ShopMaster

DELTA<sup>®</sup>



2651 New Cut Road  
Spartanburg, SC 29303  
(800) 223-7278

[www.DeltaMachinery.com](http://www.DeltaMachinery.com)

Copyright 2018 Delta Power Equipment Corporation

DPEC005249

Revision Date: 10/15/2018

Rv.9

