

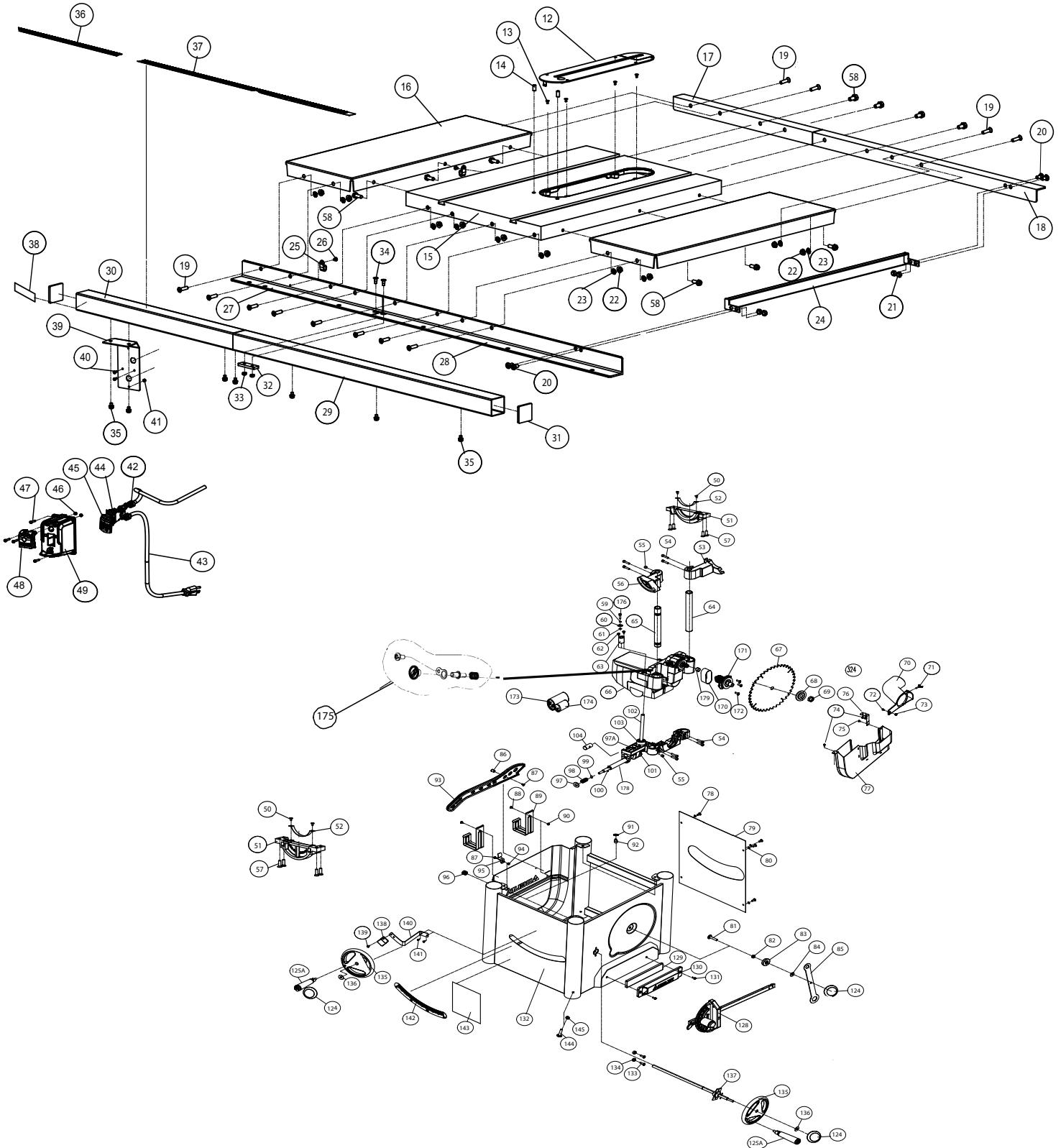


POWER EQUIPMENT CORPORATION

TS-36
PART # DPEC002777
DATE 12-11-13
REVISED 04-14-16

36-725

10" CONTRACTORS SAW



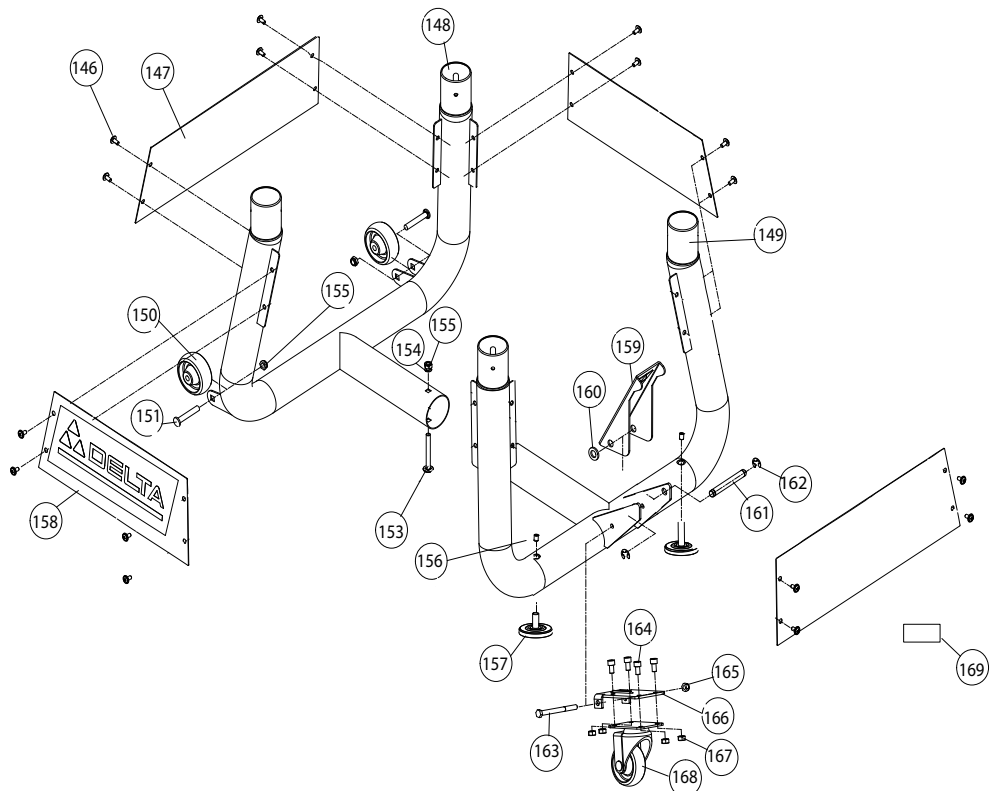
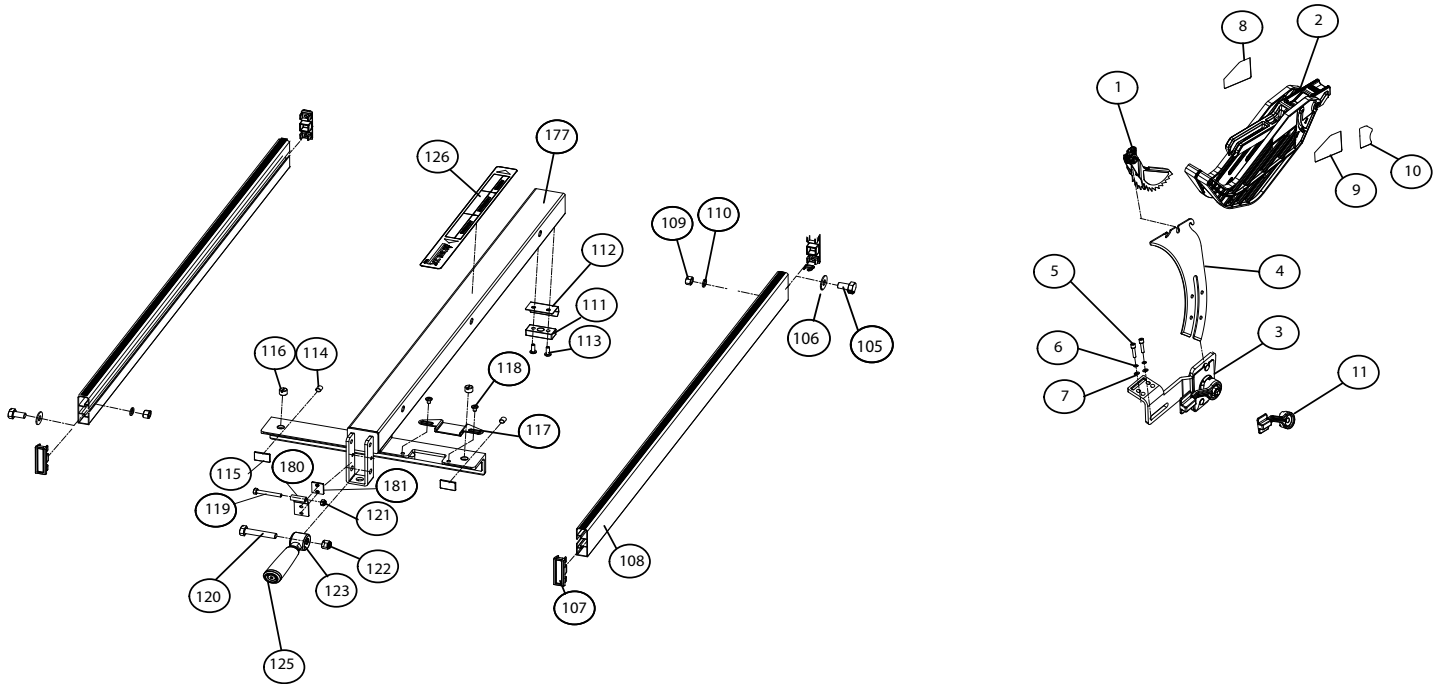


POWER EQUIPMENT CORPORATION

TS-36
PART # DPEC002777
DATE 12-11-13
REVISED 04-14-16

36-725

10" CONTRACTORS SAW



REPLACEMENT PARTS

ITEM NO.	ITEM NO.	DESCRIPTION	QTY	ITEM NO.	DELTA PART NO.	DESCRIPTION	QTY
1	A28414S	ANTI-KICKBACK	1	70	DPEC002963	BLAST PIPE	1
2	A27419S	GUARD ASSY	1	71	DPEC002964	M4 X 12 WING SCREW	1
3	DPEC002907	RIVING KNIFE ASSY	1	72	DPEC002965	* M6 X 12 PHILLIPS HEAD SCREW	1
4	DPEC002908	RIVING KNIFE	1	73	1343642	* M6 LOCK NUT	1
5	DPEC002909	* M5 X 20MM SOCKET HEAD SCREW	2	74	DPEC002965	* M4 PHILLIPS SCREW	4
6	DPEC002910	* M5 SPRING WASHER	2	75	DPEC002966	* M4 X 6MM PHILLIPS SCREW	1
7	1246102	* WASHER FLAT 5X10X1T	2	76	DPEC002967	DUST BAG HOOK - BRACKET	1
8	A28011S	WARNING LABEL LEFT GUARD	1	77	DPEC002968	DUST CHUT ASSEMBLY	1
9	A28010S	WARNING LABEL RIGHT GUARD	1	78	DPEC002969	* M6 X 12MM PHILLIPS HEAD SCREW	4
10	A28009S	GUARD WARNING LABEL	1	79	DPEC002970	REAR PLATE	1
11	DPEC002911	RELEASE HANDLE	1	80	1246140	* 6 x 12 x 1T FLAT WASHER	4
12	DPEC002912	THROAT PLATE	1	81	DPEC002979	* M8 X 40 CARRIAGE BOLT	1
12A	36-501	ACCESSORY ZERO CLEARANCE INSERT		82	1243398	* M8 HEX NUT	1
12B	36-502	ACCESSORY DADO INSERT		83	DPEC002980	BLADE SUPPORT BLOCK	1
13	DPEC002913	* M5 X 10 FLAT HEAD SCREW	5	84	DPEC002981	WASHER FLAT RUBBER 20x8.2x2mm	1
14	DPEC002914	* M10 X 16 SET SCREW	2	85	DPEC002982	RING SPANNER HEX	1
15	DPEC002915	TABLE	1	86	DPEC002983	SET BLOCK	1
16	DPEC002916	EXTENSION WING	2	87	DPEC003022	* M4 X 8MM PHILLIPS HEAD SCREW	2
17	DPEC002917	REAR FENCE RAIL LEFT	1	88	DPEC002985	* M5 X 8MM FLAT HEAD SCREW	2
18	DPEC002918	REAR FENCE RAIL RIGHT	1	89	DPEC002986	FENCE STORAGE BRACKET	2
19	901030331046	* 5/16 - 18 x 1 1/8" FLAT HEAD SCREW	12	90	1343504	* M5 LOCK NUT	2
20	DPEC002919	M8 X 16MM SHOULDER BOLT	4	91	1246157	* M8 LOCK WASHER	1
21	DPEC002920	* M8 LOCK NUT	4	92	DPEC002987	* M8 X 10MM HEX SOCKET SCREW	4
22	902012101072	* 5/16 - 18 LOCK NUT	12	93	860610-01S	PUSH STICK	1
23	904020101703	* 5/16" LOCK WASHER	12	94	DPEC002988	* M4 LOCK NUT	1
24	DPEC002921	CONNECTING ROD ASSEMBLY	1	95	DPEC002989	PUSH STICK HOLDER	1
25	DPEC002922	* WIRE CLIP	1	96	DPEC002990	CORD WRAP BRACKET	1
26	DPEC002965	* M5 X 6MM PHILLIPS HEAD SCREW	1	97	DPEC002991	* WASHER FLAT 12.1x30x3mm	1
27	DPEC002924	FRONT FENCE RAIL LEFT	1	97A	DPEC002992	LIFTING ASSEMBLY	1
28	DPEC002925	FRONT FENCE RAIL RIGHT	1	98	DPEC002993	SPRING	1
29	DPEC002926	SLIDING TUBE RIGHT	1	99	DPEC002994	O RING	1
30	DPEC002927	SLIDING TUBE LEFT	1	100	DPEC002995	PIN SPRING M3 x 30 mm	1
31	DPEC002928	TUBE END CAP	2	101	DPEC002996	BEVEL GEAR	2
32	DPEC002929	FRONT RAIL UNION / CONNECTING PAD	1	102	DPEC002997	LIFTING ROD	1
33	1343504	* M5 LOCK NUT	2	103	DPEC002998	BALL BEARING	2
34	DPEC002930	M5 X 16 SHOULDER BOLT	2	104	DPEC002999	BEVEL NUT	1
35	901030408015	* 1/4-20 X 1/2" HEX SOCKET BUTTON HD SCREW	7	105	DPEC003000	* M10 X 18 HEX HEAD SCREW	6
36	DPEC002931	SCALE LEFT	1	106	1344035	* 10 x 25 x 2mm FLAT WASHER	6
37	DPEC002932	SCALE RIGHT	1	107	DPEC003001	END CAP	4
38	DPEC002933	WARNING LABEL	1	108	DPEC003002	TUBE ALUMINUM	2
39	DPEC002934	SWITCH BOX BASE	1	109	1243496	* M10 X 8 HEX NUT	6
40	DPEC002935	* M4 X 6MM PHILLIPS HEAD SCREW	2	110	DPEC003003	WASHER 10X15X1.5	6
41	DPEC002936	* M4 LOCK NUT	2	111	DPEC003004	REAR SLIDING PAD	1
42	DPEC002937	* WIRE CLIP	2	112	912284	REAR HOOK	1
43	DPEC002938	POWER CORD	1	113	1310163	* M5 X 16 PHILLIPS HEAD SCREW	2
44	DPEC002939	SWITCH	1	114	1246009	* M8 SET SCREW	2
45	DPEC002940	SWITCH COVER	1	115	DPEC003005	SLIDING PAD	3
46	1243569	* M4 HEX NUT	2	116	912289	M12 X 10 NYLON SET SCREW	2
47	DPEC002941	* M4 X 18MM PHILLIPS HEAD SCREW	4	117	A09160	INDICATOR	1
48	DPEC002942	SWITCH BOX COVER	1	118	DPEC003006	* M6 X 8 PHILLIPS FLAT HEAD SCREW	2
49	DPEC002943	SWITCH BOX	1	119	DPEC003007	* M6 X 40 HEX HEAD SCREW	1
50	DPEC002935	* M4 X 6MM PHILLIPS SCREW	4	120	DPEC003008	* M10 X 50 HEX HEAD SCREW	1
51	DPEC002945	TRUNNION	2	121	1343642	* M6 LOCK NUT	1
52	DPEC002946	WEAR PLATE	2	122	1341996	* M10 LOCK NUT	1
53	DPEC002947	REAR SUPPORT BRACKET	1	123	DPEC003009	CAM	1
54	DPEC002948	* M6 X 25MM HEX SOCKET SCREW	8	124	DPEC003010	HANDWHEEL KNOB	3
55	DPEC002949	* M10 X 8MM SET SCREW	2	125	DPEC003243	HANDLE - FENCE	1
56	DPEC002950	FRONT SUPPORT BRACKET	1	125A	DPEC003244	HANDLE - CRANK WHEEL	2
57	DPEC002951	* M8 X 25MM TORX FLAT HEAD SCREW	8	126	DPEC003011	LABEL FENCE	1
58	DPEC003275	* 5/16-18 x 7/8" HEX SCREW w/SPRING WASHER	10	128	34-929	MTER GAGE ASSEMBLY	1
59	DPEC002953	* 5 x 18 x 2T WASHER	1	129	DPEC003013	COVER LABEL	1
60	DPEC002910	* M5 SPRING WASHER	1	130	DPEC003014	LABEL	1
61	1246102	* 5 x 10 x 1T FLAT WASHER	1	131	DPEC003015	* M5 X 12 TORX HEAD SCREW	2
62	DPEC002952	* M5 X 10 HEX SOCKET SCREW	2	132	DPEC003016	BASE ASSEMBLY	1
63	DPEC002956	ELEVATING BUSHING	1	133	DPEC003017	* M6 X 18 HEX SOCKET HEAD SCREW	2
64	DPEC002957	SLIDING ROD	1	134	1343642	* M6 LOCK NUT	2
65	DPEC002958	SUPPORT SLIDING ROD	1	135	DPEC003018	HANDWHEEL	2
66	DPEC002959	MOTOR ASSEMBLY	1	136	DPEC003019	* 8 x 23 x 2 mm FLAT WASHER	2
67	DPEC002960	BLADE	1	137	DPEC003020	BEVEL ROD ASSEMBLY	1
68	DPEC002961	BLADE FLANGE	1	138	DPEC003021	BEVEL INDICATOR	1
69	DPEC002962	BLADE NUT	1	139	DPEC003022	* M4 X 8 BUTTON HEAD SCREW	1

* = Item is standard hardware and can be purchased in local hardware or home improvement stores.

REPLACEMENT PARTS

ITEM NO.	PART NUMBER	DESCRIPTION	QTY
140	DPEC003023	BEVEL SCALE BASE	1
141	DPEC003022	* M4 X 8 PHILLIPS HEAD SCREW	2
142	DPEC002736	BEVEL SCALE	1
143	DPEC003026	WARNING LABEL FRONT PANEL	1
144	DPEC003027	M6 X 72mm CARRIAGE BOLT	4
145	1343642	* M6 LOCK NUT	4
146	DPEC002965	M6 X 10 PHILLIPS HEAD SCREW	16
147	DPEC003029	Side Panel	2
148	DPEC003030	Left side Leg set	1
149	DPEC003031	Right Side Leg Set	1
150	DPEC003032	Wheel	2
151	DPEC003033	M8 X 53mm AXLE PIN	2
153	DPEC003034	M8 X 70 CARRIAGE BOLT	1
154	1246157	* M8 SPRING WASHER	1
155	DPEC002920	* M8 LOCK NUT	3
156	DPEC003035	* M12 X 30 SET SCREW	2
157	DPEC003036	Foot Pad Assembly	2
158	DPEC003037	Front & Rear Panel	2
159	DPEC003038	Foot Pedal	1
160	DPEC003039	* 13 x 23 x 3 WASHER	2
161	DPEC003040	Pin	1
162	DPEC003041	E-Ring	2
163	DPEC003042	M8 X 98 HEX SCREW	1
164	DPEC003043	* M8 X 14 HEX SOCKET SCREW	4
165	DPEC002920	* M8 LOCK NUT	1
166	DPEC003044	Plate	1
167	DPEC002920	* M8 LOCK NUT	4
168	DPEC003045	Caster	1
169	DPEC003046	Warning label	1
170	DPEC003211	Belt	1
171	DPEC003213	Shaft Assembly	1
172	DPEC003212	* M5 X 36 PHILLIPS HEAD SCREW	3
173	DPEC003209	Capacitor 40UF 370V	1
174	DPEC003210	Starter Capacitor 324MFD 125V	1
175	DPEC003264	Spindle Lock Kit	1
176	DPEC002952	* M5 X 10 HEX SOCKET SCREW	1
177	DPEC003262	Fence Assembly	1
178	DPEC003289	Shaft	1
179	DPEC003290	Needle Bearing	1
180	DPEC003306	Cam Foot	1
181	DPEC003005	Cam Foot Pad - AKA "Sliding Pad"	1

* = Item is standard hardware and can be purchased in local hardware or home improvement stores.