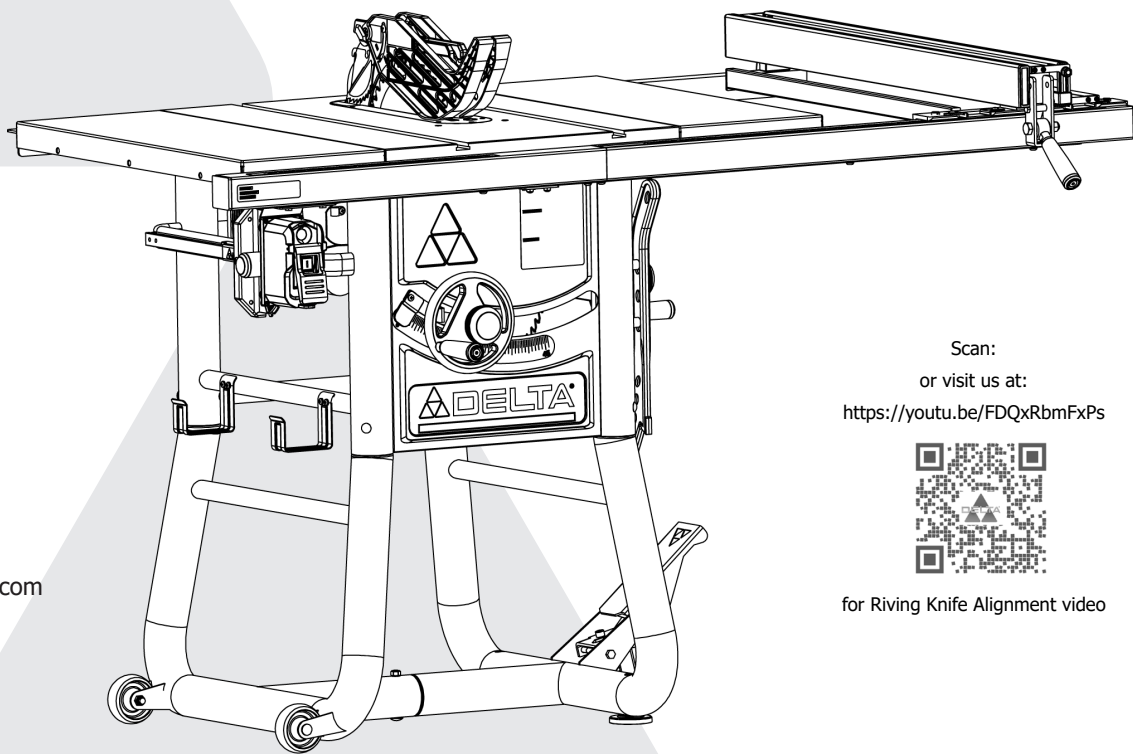


DELTA[®]

10-inch Contractor Table Saw



www.DeltaMachinery.com

Instruction Manual

Scan:
or visit us at:
<https://youtu.be/FDQxRbmFxPs>



for Riving Knife Alignment video

36-725 T2

⚠ WARNING: To reduce risk of serious injury, thoroughly read and comply with all warnings and instructions in this manual and on product.
KEEP THIS MANUAL NEAR YOUR SAW FOR EASY REFERENCE AND TO INSTRUCT OTHERS.



TABLE OF CONTENTS

FEATURES	2	SELECTING AND STORING SAW BLADES	27
IMPORTANT SAFETY INSTRUCTIONS	4	CHANGING THE SAW BLADE.....	27
SAFETY SYMBOLS-DEFINITIONS	4	RIVING KNIFE POSITION	28
GENERAL POWER TOOL SAFETY WARNING	5	RIVING KNIFE HEIGHT SETTINGS.....	28
PROPOSITION 65 WARNING	6	CHECKING RIVING KNIFE ALIGNMENT.....	29
TABLE SAW SAFETY RULES	6	CHECKING BLADE PARALLELISM TO MITER	
TERMINOLOGY	6	GAUGE GROOVE (HEEL).....	29
TABLE SAW SPECIFIC SAFETY RULES.....	7	ADJUSTING BLADE PARALLELISM TO	
SAW BLADE GUARD, ANTI-KICKBACK PAWLS AND		MITER GAUGE GROOVE (HEEL)	29
RIVING KNIFE ASSEMBLY	9	USING THE MITER GAUGE.....	30
KICKBACKS.....	9	USING BLADE GUARD ASSEMBLY	30
POWER CONNECTIONS	10	CHECKING FENCE ALIGNMENT	30
POWER SOURCE	10	TRANSPORTING THE SAW	30
ELECTRICAL CONNECTION	10	OPERATION	31
POLARIZED PLUGS.....	10	AVOID KICKBACK.....	31
EXTENSION CORDS	10	STARTING AND STOPPING THE SAW.....	31
UNPACKING	11	OVERLOAD PROTECTION	32
PACKAGE CONTENTS	12	MAKING CUTS	32
HARDWARE PACKAGE	13	RIP CUTS	33
ASSEMBLY	14	BEVEL RIPPING	33
STAND	14	CROSSCUTTING.....	34
FIXED WHEELS AND STATIONARY FEET	14	BEVEL CROSSCUTTING	35
FRONT AND REAR RAILS.....	15	MITER CUTS.....	35
EXTENSION WINGS	16	COMPOUND MITER CUTS	35
FENCE GUIDE AND POWER CONTROL BOX.....	17	LARGE PANEL CUTS	35
INSTALLING THE HANDLES	18	NON-THROUGH CUTS	36
INSTALLING THE RIP FENCE HANDLE	18	MAKING NON-THROUGH CUTS	36
THROAT PLATE	19	CUTTING AIDS AND ACCESSORIES	37
BLADE AND RIVING KNIFE	19	PUSH STICKS	37
ANTI-KICKBACK PAWLS.....	20	AUXILIARY RIP FENCE FACING	37
BLADE GUARD	20	AUXILIARY MITER GAUGE FACING	37
RIP FENCE.....	21	FLIP DOWN FENCE	38
MITER GAUGE	21	PUSH BLOCKS.....	38
ON-BOARD STORAGE.....	21	GROOVING AND RABBETING	39
SECURING SAW TO FLOOR.....	21	FEATHERBOARD	39
MAKING ADJUSTMENTS	22	CUT OFF GAUGE	40
ADJUSTING 90° AND 45° POSITIVE BEVEL STOPS	22	JIGS.....	40
RIVING KNIFE ALIGNMENT WITH THE BLADE.....	23	MAINTENANCE	41
ADJUSTING THE MITER GAUGE SCALE.....	24	KEEP MACHINE CLEAN	41
ADJUSTING THE MITER GAUGE FITMENT.....	24	LUBRICATION & RUST PREVENTION	41
ALIGNING FENCE PARALLEL TO MITER SLOT.....	25	MAINTENANCE REMINDERS	41
ALIGNING FENCE PERPENDICULAR TO THE TABLE	25	ADJUSTING BELT TENSION	41
DUST COLLECTION	25	DUST CHUTE CLEAN OUT.....	42
PREPARING TO CUT	26	TROUBLESHOOTING	43
RAISING AND LOWERING THE BLADE	26	ACCESSORIES	43
TILTING THE BLADE.....	26	PARTS, SERVICES AND WARRANTY ASSISTANCE	44

FEATURES

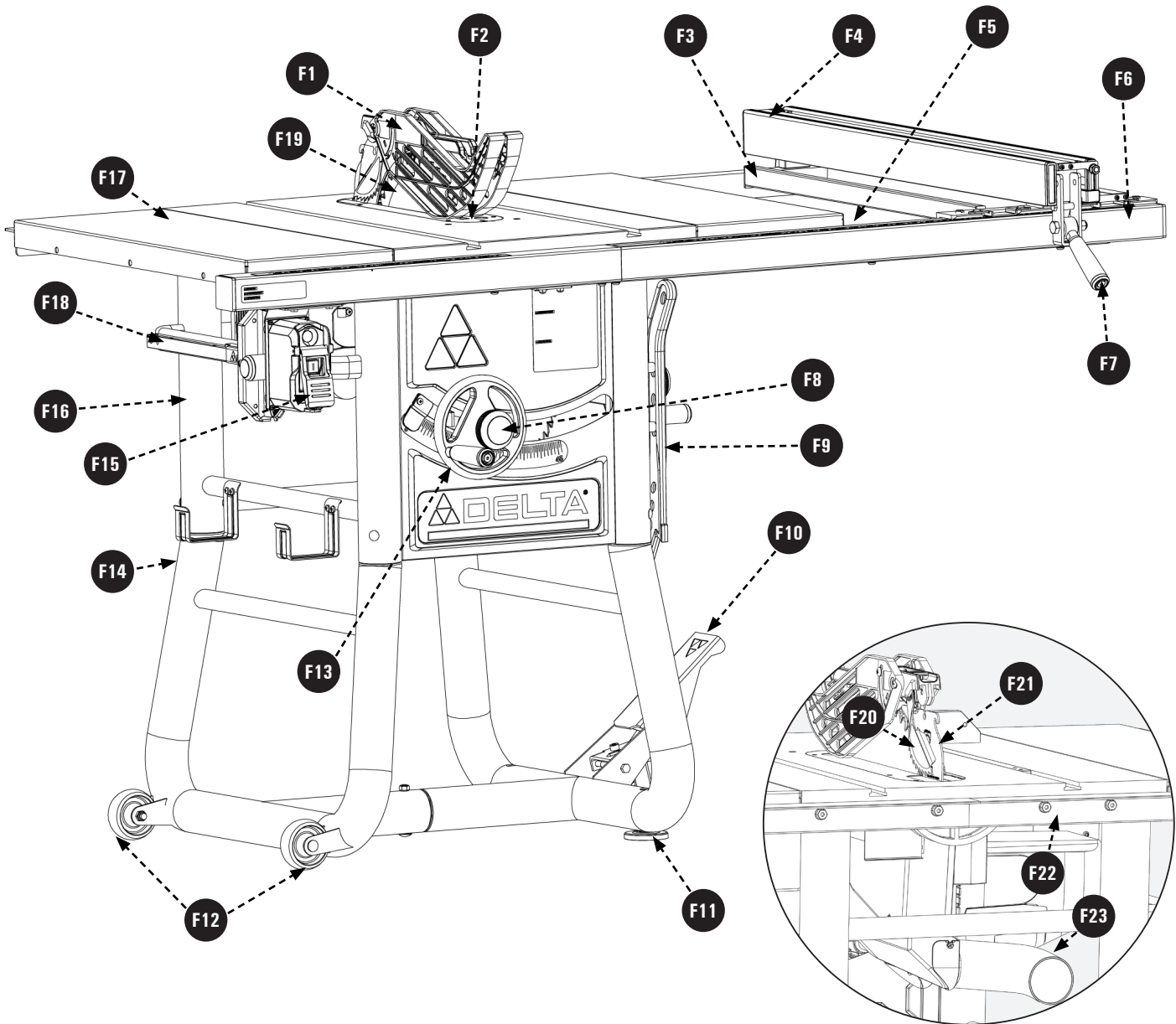
The DELTA® #36-725 T2 10-inch Contractor Table Saw is designed for portability and high quality performance. It includes: basic machine, sturdy tubular steel stand, integral dust chute, a T-Square® fence system, t-slot miter gauge, 15-amp induction motor, on/off switch, cast iron table, extension wings, see-through blade guard with anti-kickback pawls, and 10-inch carbide blade.

SPECIFICATIONS

Max depth of cut at 90°:	3 1/8 inch
Max depth of cut at 45°:	2 1/4 inch
Max rip to right of blade:	30 inch
Max rip to left of blade:	15 inch
Max width of dado:	13/16 inch
MOTOR SPECIFICATIONS:	
Amps	15
Voltage	120
RPM	3,600

NOTICE: The manual cover illustrates the current production model. All other illustrations contained in the manual are representative **ONLY** and may not be exact depictions of the actual labeling or accessories included. They are intended for illustrative purposes **ONLY**.

FEATURES



Back View

- | | | |
|-----------------------------|--|--------------------------------|
| F1 Blade Guard | F9 Push Stick | F17 Extension Wing |
| F2 Throat Plate | F10 Pivoting Pedal and Caster Wheel | F18 Miter Gauge |
| F3 Rail Spreader Bar | F11 Adjustable Feet | F19 Blade |
| F4 Rip Fence | F12 Fixed Wheels | F20 Anti-Kickback Pawls |
| F5 Fence Guides | F13 Hand Wheel Handle | F21 Riving Knife |
| F6 Front Fence Rails | F14 Tubular Stand | F22 Rear Fence Rails |
| F7 Rip Fence Handle | F15 Power Switch | F23 Dust Chute |
| F8 Lock Knobs | F16 Saw Body | |

IMPORTANT SAFETY INSTRUCTIONS

⚠ WARNING: CAREFULLY READ AND FOLLOW ALL WARNINGS AND INSTRUCTIONS ON YOUR PRODUCT AND IN THIS MANUAL. SAVE THIS MANUAL. MAKE SURE ALL USERS ARE FAMILIAR WITH ITS WARNINGS AND INSTRUCTIONS WHEN USING THE TOOL. KEEP THIS MANUAL NEAR YOUR SAW FOR EASY REFERENCE AND TO INSTRUCT OTHERS. Improper operation, maintenance or modification of tools or equipment could result in serious injury and/or property damage.



If you have any questions or concerns relative to the use of your tool or the contents of this manual, stop using the tool and contact Delta Power Equipment Corporation Customer Care at 1-800-223-7278.

SAFETY SYMBOLS- DEFINITIONS

This manual contains information that is important for you to know and understand. These important warnings relates to protecting YOUR SAFETY and PREVENTING EQUIPMENT PROBLEMS. To help you recognize this information, we use the symbols below. Please read the manual and pay attention to these sections.

⚠ DANGER: Indicates an imminently hazardous situation which, if not avoided, will result in death or serious injury.

⚠ WARNING: Indicates a potentially hazardous situation which, if not avoided, could result in death or serious injury.

⚠ CAUTION: Indicates a potentially hazardous situation which, if not avoided, may result in minor or moderate injury.

CAUTION: Used without the safety alert symbol indicates potentially hazardous situation which, if not avoided, may result in property damage.

Some of the following symbols may be used in connection with this product. Please study them and learn their meaning. Proper interpretation on these symbols will allow you to operate the tool better and safer.

SYMBOL	NAME	DESIGNATION/EXPLANATION
	Safety Alert	Indicates a potential personal injury hazard.
	Read Operator's Manual	To reduce the risk of injury, user must read and understand operator's manual before using this product.
	Eye Protection	Always wear eye protection with side shields marked to comply with ANSI Z87.1.
	No Hands Symbol	Failure to keep your hands away from the blade will result in serious personal injury.
	Wet Conditions Alert	Do not expose to rain or use in damp locations.
	Pinch Warning	Always watch for movement paying extra attention to potential areas where pinching could occur.
V	Volts	Voltage
A	Amperes	Current
Hz	Hertz	Frequency (cycles per second)
min	Minutes	Time
~/AC	Alternating Current	Type of current
n_0	No Load Speed	Rotational speed, at no load
.../min	Per Minute	Revolutions, strokes, surface speed, orbits, etc., per minute
Lbs	Pounds	Unit of weight
Kg	Kilograms	Unit of weight
RPM	Revolutions Per Minute	Speed of rotation of machine
PH:1	Phase 1	This is a 1 phase motor

SAVE THESE INSTRUCTIONS.

Refer to them often and use them to instruct others. • If tool is loaned to someone, also loan them these instructions.

GENERAL POWER TOOL SAFETY WARNINGS

⚠ WARNING: Read all safety warnings, instructions, illustrations and specifications provided with this power tool.

Failure to follow all instructions listed below may result in electric shock, fire and/or serious injury.


Save all warnings and instructions for future reference.

The term "power tool" in the warnings refers to your mains-operated (corded) power tool or BATTERY-operated (cordless) power tool.

1. Work area safety

- a. **Keep work area clean and well lit.** Cluttered or dark areas invite accidents
- b. **Do not operate power tools in explosive atmospheres, such as in the presence of flammable liquids, gases or dust.** Power tools create sparks which may ignite the dust or fumes.
- c. **Keep children and bystanders away while operating a power tool.** Distractions can cause you to lose control.

2. Electrical safety

- a. **Power tool plugs must match the outlet. Never modify the plug in any way. Do not use any adapter with earthed (grounded) power tools.** Unmodified plugs and matching outlets will reduce risk of electric shock
- b. **Avoid body contact with earthed or grounded surfaces, such as pipes, radiators, ranges and refrigerators.** There is an increased risk of electric shock if your body is earthed or grounded.
-  c. **Do not expose power tools to rain or wet conditions.** Water entering a power tool will increase the risk of electric shock.
- d. **Do not abuse the cord. Never use the cord for carrying, pulling or unplugging the power tool. Keep cord away from heat, oil, sharp edges or moving parts.** Damaged or entangled cords increase the risk of electric shock.
- e. **When operating a power tool outdoors, use an extension cord suitable for outdoor use.** Use of a cord suitable for outdoor use reduces the risk of electric shock.
- f. **If operating a power tool in a damp location is unavoidable, use a ground fault circuit interrupter (GFCI) protected supply.** Use of an GFCI reduces the risk of electric shock.

3. Personal safety

- a. **Stay alert, watch what you are doing and use common sense when operating a power tool. Do not use a power tool while you are tired or under the influence of drugs, alcohol or medication.** A moment of inattention while operating power tools may result in serious personal injury.
- b. **Use personal protective equipment. Always wear eye protection.** Protective equipment such as dust mask, non-skid safety shoes, hard hat, or hearing protection used for appropriate conditions will reduce personal injuries.
- c. **Prevent unintentional starting. Ensure the switch is in the off-position before connection to power source, picking up, or carrying the tool.** Carrying power tools with your finger on the switch or energising power tools that have the switch on invites accidents.
- d. **Remove any adjusting key or wrench before turning the power tool on.** A wrench or a key left attached to a rotating part of the power tool may result in personal injury.
- e. **Do not overreach. Keep proper footing and balance at all times.** This enables better control of the power tool in unexpected situations
- f. **Dress properly. Do not wear loose clothing or jewelry. Keep your hair, clothing and gloves away from moving parts.** Loose clothes, jewelry or long hair can be caught in moving parts.
- g. **If devices are provided for the connection of dust extraction and collection facilities, ensure these are connected and properly used.** Use of dust collection can reduce dust-related hazards.
- h. **Do not let familiarity gained from frequent use of tools allow you to become complacent and ignore tool safety principles.** A careless action can cause severe injury within a fraction of a second.

4. Power tool use and care

- a. **Do not force the power tool. Use the correct power tool for you application.** The correct power tool will do the job better and safer at the rate for which it was designed.
- b. **Do not use the power tool if the switch does not turn it on and off.** Any power tool that cannot be controlled with the switch is dangerous and must be repaired.
- c. **Disconnect the plug from the power source before making any adjustments, changing accessories, or storing power tools.** Such preventive safety measures reduce the risk of starting the power tool accidentally.
- d. **Store idle power tools out of the reach of children and do not allow persons unfamiliar with the power tool or these instructions to operate the power tool.** Power tools are dangerous in the hands of untrained users.
- e. **Maintain power tools and accessories. Check for misalignment or binding of moving parts, breakage of parts and any other condition that may affect the power tool's operation. If damaged, have the power tool repaired before use.** Many accidents are caused by poorly maintained power tools.
- f. **Keep cutting tools sharp and clean.** Properly maintained cutting tools with sharp cutting edges are less likely to bind and are easier to control.
- g. **Use the power tool, accessories and tools bits etc. in accordance with these instructions, taking into account the working conditions and the work to be performed.** Use of the power tool for operations different from those intended could result in a hazardous situation.

GENERAL POWER TOOL SAFETY WARNINGS

- h. **Keep handles and grasping surfaces dry, clean and free from oil and grease.** Slippery handles and grasping surfaces do not allow for safe handling and control of the tool in unexpected situations.

5. Service

- a. **Have your power tool serviced by a qualified repair person using only identical replacement parts.** This will ensure that the safety of the power tool is maintained.

PROPOSITION 65 WARNING:

▲ WARNING: Dust created by power sanding, sawing, grinding, drilling, and other construction activities may contain chemicals known to the state of California to cause cancer, birth defects or other reproductive harm. Some examples are:

- Lead from lead-based paints
- Crystalline silica from bricks and cement and other masonry products
- Asbestos dust
- Arsenic and chromium from chemically-treated lumber

Your risk from these exposures varies depending on how often you do this type of work. To reduce your exposure to these chemicals: work in a well-ventilated area and work with approved safety equipment, such as dust masks that are specifically designed to filter out microscopic particles. Avoid prolonged contact with dust from power sanding, sawing, grinding, drilling, and other construction activities. Wear protective clothing and wash exposed areas with soap and water.

TABLE SAW SAFETY RULES

▲ WARNING: Failure to follow these rules may result in serious personal injury.

SEE GENERAL POWER TOOL SAFETY SECTION OF THIS MANUAL. Read entire instruction manual before operating saw. Learning the saw's proper applications, limitations, and specific potential hazards will greatly minimize the possibility of accidents and injury. Make sure all users are familiar with its warnings and instructions before using saw.

SEE POWER CONNECTION SECTION OF THIS MANUAL for instructions and warnings regarding power cords and connections.

TERMINOLOGY

The following terms will be used throughout the manual and you should become familiar with them.

- **Through-cut** – Any cut that completely cuts through the workpiece.
- **Non-through cut** – Any cut that does not completely cut through the workpiece.
- **Push stick** – A wooden or plastic stick, usually homemade, that is used to push a small workpiece through the saw and keeps the operator's hands clear of the blade.
- **Kickback** – Occurs when the saw blade binds in the cut or between the blade and the fence and thrusts the workpiece back toward the operator or lowering the workpiece down to the blade.
- **Re-sawing** – Flipping material to make a cut the saw is not capable of making in one pass.
- **Cove cutting** – Also known as coving, cove cutting is an operation where the work is fed at an angle across the blade. **NOTE:** This can be a dangerous operation and is not recommended.
- **Freehand** – Cutting without the use of a miter gauge or rip fence or any other means of guiding or holding the workpiece other than the operator's hand. **NOTE:** This can be a dangerous operation and is not recommended.
- **Plunge cutting** – Blind cuts in the workpiece made by either raising the blade through the workpiece. **NOTE:** This can be a dangerous operation and is not recommended.
- **Rabbet Cut** – A cut on the end or face (edge) of a board - the extruding piece is the tongue.
- **Kerf** – A cut or incision made by a saw.

TABLE SAW SAFETY RULES

TABLE SAW SPECIFIC SAFETY RULES

 WARNING READ ALL SAFETY WARNINGS DESIGNATED BY THE  SYMBOL AND ALL INSTRUCTIONS.

⚠ WARNING: Failure to follow these rules may result in serious personal injury.

1. GUARDING RELATED WARNINGS

- a. **Keep guards in place. Guards must be in working order and be properly mounted.** A guard that is loose, damaged, or is not functioning correctly must be repaired or replaced.
- b. **Always use saw blade guard, riving knife and anti-kickback device for every through-cutting operation.** For through-cutting operations where the saw blade cuts completely through the thickness of the workpiece, the guard and other safety devices help reduce the risk of injury.
- c. **Immediately reattach the guarding system after completing an operation (such as rabbeting or resawing cuts) which requires removal of the guard, riving knife and/or anti-kickback device.** The guard, riving knife, and anti-kickback device help to reduce the risk of injury.
- d. **Make sure the saw blade is not contacting the guard, riving knife or the workpiece before the switch is turned on.** Inadvertent contact of these items with the saw blade could cause a hazardous condition.
- e. **Adjust the riving knife as described in this instruction manual.** Incorrect spacing, positioning and alignment can make the riving knife ineffective in reducing the likelihood of kickback.
- f. **For the riving knife and anti-kickback device to work, they must be engaged in the workpiece.** The riving knife and anti-kickback device are ineffective when cutting workpieces that are too short to be engaged with the riving knife and anti-kickback device. Under these conditions a kickback cannot be prevented by the riving knife and antikickback device.
- g. **Use the appropriate saw blade for the riving knife.** For the riving knife to function properly, the saw blade diameter must match the appropriate riving knife and the body of the saw blade must be thinner than the thickness of the riving knife and kerf of the saw blade must be wider than the thickness of the riving knife.

2. CUTTING PROCEDURES WARNINGS



- a. **DANGER: Never place your fingers or hands in the vicinity or in line with the saw blade.** A moment of inattention or a slip could direct your hand towards the saw blade and result in serious personal injury.
- b. **Feed the workpiece into the saw blade or cutter only against the direction of rotation.** Feeding the workpiece in the same direction that the saw blade is rotating above the table may result in the workpiece, and your hand, being pulled into the saw blade.
- c. **Never use the mitre gauge to feed the workpiece when ripping and do not use the rip fence as a length stop when cross cutting with the miter gauge.** Guiding the workpiece with the rip fence and the miter gauge at the same time increases the likelihood of saw blade binding and kickback.
- d. **When ripping, always apply the workpiece feeding force between the fence and the saw blade.** Use a push stick when the distance between the fence and the saw blade is less than 50mm, and use a push block when this distance is less than 150mm. "Work helping" devices will keep your hand at a safe distance from the saw blade.
- e. **Use only the push stick provided by the manufacturer or constructed in accordance with the instructions.** This push stick provides sufficient distance of the hand from the saw blade.
- f. **Never use a damaged or cut push stick.** A damaged push stick may break causing your hand to slip into the saw blade.
- g. **Do not perform any operation "freehand".** Always use either the rip fence or the miter gauge to position and guide the workpiece. "Freehand" means using your hands to support or guide the workpiece, in lieu of a rip fence or miter gauge. Freehand sawing leads to misalignment, binding and kickback.
- h. **Never reach around or over a rotating saw blade.** Reaching for a workpiece may lead to accidental contact with the moving saw blade.
- i. **Provide auxiliary workpiece support to the rear and/or sides of the saw table for long and/or wide workpieces to keep them level.** A long and/or wide workpiece has a tendency to pivot on the table's edge, causing loss of control, saw blade binding and kickback.
- j. **Feed workpiece at an even pace. Do not bend or twist the workpiece.** If jamming occurs, turn the tool off immediately, unplug the tool then clear the jam. Jamming the saw blade by the workpiece can cause kickback or stall the motor.
- k. **Do not remove pieces of cut-off material while the saw is running.** The material may become trapped between the fence or inside the saw blade guard and the saw blade pulling your fingers into the saw blade. Turn the saw off and wait until the saw blade stops before removing material.
- l. **Use an auxiliary fence in contact with the table top when ripping workpieces less than 2mm thick.** A thin workpiece may wedge under the rip fence and create a kickback.

TABLE SAW SAFETY RULES

- m. **Never Cut Metals, Cement Board or Masonry.** Certain man-made materials have special instructions for cutting on table saws. Follow the manufacturer's recommendations at all times to avoid overheating the saw blade tips as well as melting the plastic. Avoid overheating blade tips by pushing material through blade evenly. Forcing material too fast can cause heating and damage to blade or workpiece. If cutting plastics is permitted, cut at a slower pace to avoid melting the plastic.

3. Kickback causes and related warnings

Kickback is a sudden reaction of the workpiece due to a pinched, jammed saw blade or misaligned line of cut in the workpiece with respect to the saw blade or when a part of the workpiece binds between the saw blade and the rip fence or other fixed object.

- a. **Most frequently during kickback, the workpiece is lifted from the table by the rear portion of the saw blade and is propelled towards the operator.** Kickback is the result of saw misuse and/or incorrect operating procedures or conditions and can be avoided by taking proper precautions as given below.
- b. **Never stand directly in line with the saw blade.** Always position your body on the same side of the saw blade as the fence. Kickback may propel the workpiece at high velocity towards anyone standing in front and in line with the saw blade.
- c. **Never reach over or in back of the saw blade to pull or to support the workpiece.** Accidental contact with the saw blade may occur or kickback may drag your fingers into the saw blade.
- d. **Never hold and press the workpiece that is being cut off against the rotating saw blade.** Pressing the workpiece being cut off against the saw blade will create a binding condition and kickback.
- e. **Align the fence to be parallel with the saw blade.** A misaligned fence will pinch the workpiece against the saw blade and create kickback.
- f. **Use a featherboard to guide the workpiece against the table and fence when making non-through cuts such as rabbeting, or resawing cuts.** A featherboard helps to control the workpiece in the event of a kickback.
- g. **Use extra caution when making a cut into blind areas of assembled workpieces.** The protruding saw blade may cut objects that can cause kickback.
- h. **Support large panels to minimise the risk of saw blade pinching and kickback.** Large panels tend to sag under their own weight. Support(s) must be placed under all portions of the panel overhanging the table top.
- i. **Use extra caution when cutting a workpiece that is twisted, knotted, warped or does not have a straight edge to guide it with a mitre gauge or along the fence.** A warped, knotted, or twisted workpiece is unstable and causes misalignment of the kerf with the saw blade, binding and kickback.
- j. **Never cut more than one workpiece, stacked vertically or horizontally.** The saw blade could pick up one or more pieces and cause kickback.
- k. **When restarting the saw with the saw blade in the workpiece, centre the saw blade in the kerf so that the saw teeth are not engaged in the material.** If the saw blade binds, it may lift up the workpiece and cause kickback when the saw is restarted.
- l. **Keep saw blades clean, sharp, and with sufficient set.** Never use warped saw blades or saw blades with cracked or broken teeth. Sharp and properly set saw blades minimize binding, stalling and kickback.

4. Table saw operating procedure warnings

- a. **Turn off the table saw and disconnect the power cord when removing the table insert, changing the saw blade or making adjustments to the riving knife, anti-kickback device or saw blade guard, and when the machine is left unattended.** Precautionary measures will avoid accidents.
- b. **Never leave the table saw running unattended.** Turn it off and don't leave the tool until it comes to a complete stop. An unattended running saw is an uncontrolled hazard.
- c. **Locate the table saw in a well-lit and level area where you can maintain good footing and balance.** It should be installed in an area that provides enough room to easily handle the size of your workpiece. Cramped, dark areas, and uneven slippery floors invite accidents.
- d. **Frequently clean and remove sawdust from under the saw table and/or the dust collection device.** Accumulated sawdust is combustible and may self-ignite.
- e. **The table saw must be secured.** A table saw that is not properly secured may move or tip over.
- f. **Remove tools, wood scraps, etc. from the table before the table saw is turned on.** Distraction or a potential jam can be dangerous.
- g. **Always use saw blades with correct size and shape (diamond versus round) of arbor holes.** Saw blades that do not match the mounting hardware of the saw will run off-center, causing loss of control.
- h. **Never use damaged or incorrect saw blade mounting means such as flanges, saw blade washers, bolts or nuts.** These mounting means were specially designed for your saw, for safe operation and optimum performance.
- i. **Never stand on the table saw, do not use it as a stepping stool.** Serious injury could occur if the tool is tipped or if the cutting tool is accidentally contacted.
- j. **Make sure that the saw blade is installed to rotate in the proper direction.** Do not use grinding wheels, wire

TABLE SAW SAFETY RULES

brushes, or abrasive wheels on a table saw. Improper saw blade installation or use of accessories not recommended may cause serious injury.

- k. **DO NOT REMOVE A WORKPIECE** that is damaged or jammed without first turning off the saw and unplugging it from the power source.

SAW BLADE GUARD, ANTI-KICKBACK PAWLS AND RIVING KNIFE ASSEMBLY

Your table saw is equipped with a blade guard, anti-kickback pawls and riving knife assembly that covers the blade and reduces the possibility of accidental blade contact.

The riving knife is a flat plate that fits into the cut made by the saw blade and effectively fights kickback by lessening the tendency of the blade to bind in the cut.

Two anti-kickback pawls are located on the sides of the riving knife that allow the wood to pass through the blade in the cutting direction but reduce the possibility of the material being thrown backwards toward the operator.

The blade guard and anti-kickback pawls can **ONLY** be used when making through cuts that sever the wood. When making rabbets and other non-through cuts, the blade guard and anti-

kickback pawls **MUST** be removed and riving knife lowered to the non-through cut position marked on the riving knife.

Use all components of the guarding system (blade guard assembly, riving knife and anti-kickback pawls) for every operation for which they can be used including all through-cutting. If you elect not to use any of these components for a particular application, exercise additional caution regarding control of the workpiece, the use of push sticks, the position of your hands relative to the blade, the use of safety glasses, the means to avoid kickback and all other warnings contained in this manual and on the saw itself. Replace the guarding systems as soon as you return to through-cutting operations. **KEEP** the guard assembly in working order.

KICKBACKS

Kickbacks can cause serious injury. A kickback occurs when a part of the workpiece binds between the saw blade and the rip fence, or other fixed object, and rises from the table and is thrown toward the operator. Kickbacks can be minimized by attention to the following conditions.

HOW TO REDUCE THE RISK OF KICKBACKS AND PROTECT YOURSELF FROM POSSIBLE INJURY:

Be certain that the rip fence is parallel to the saw blade.

DO NOT rip by applying the feed force to the section of the workpiece that will become the cut-off (free) piece. Feed force when ripping should **ALWAYS** be applied between the saw blade and the fence; use a push stick for narrow work, 6 inches (152mm) wide or less.

KEEP saw blade guard, riving knife and anti-kickback assembly in place and operating properly. The riving knife **MUST** be in alignment with the saw blade and the anti-kickback assembly **MUST** stop a kickback once it has started. Check their action before ripping by pushing the wood under the anti-kickback assembly. The teeth **MUST** prevent the wood from being pulled toward the front of the saw. If any part of assembly is not operational, return to the nearest authorized service center for repair.

Plastic and composite materials (like hardboard) may be cut on your saw. However, since these are usually quite hard and slippery, the anti-kickback pawls may not stop a kickback. Therefore, be especially attentive to following proper set up and cutting procedures for ripping.

Use saw blade guard, anti-kickback pawls, and riving knife assembly for every possible operation, including all through-cut sawing.

Push the workpiece past the saw blade prior to releasing control.

NEVER rip a workpiece that is twisted or warped, or does not have a straight edge to guide along the fence.

NEVER saw a large workpiece that **CANNOT** be controlled.

NEVER use the fence as a guide or length stop when crosscutting.

NEVER saw a workpiece with loose knots, flaws, nails or other foreign objects.

NEVER rip a workpiece shorter than 10 inches (254mm).

NEVER use a dull blade. A dull blade should be replaced or re-sharpened.

POWER CONNECTIONS

POWER SOURCE

This saw is equipped with a 15-amp motor for use with a 120-volt, 60-HZ alternating current. See instructions below regarding proper connections for your saw as wired.

For voltage, the wiring in a shop is as important as the motor's rating. A line intended **ONLY** for lights may not be able to properly carry the current needed for a power tool motor; wire that is heavy enough for a short distance may be too light for a greater distance; and a line that can support one power tool may not be able to support two or three. A separate electrical circuit should be used for your machines. This circuit should not be less

than #12 wire and recommended to be protected with a 20-amp circuit breaker or a 20-amp time lag fuse. If an extension cord is used, use **ONLY** 3-wire extension cords which have 3-prong grounding-type plugs and matching receptacle which will accept the machine's plug. Before connecting the machine to the power line, make sure the switch(s) is in the "OFF" position and be sure that the electric current is of the same characteristics as indicated on the machine. A substantial voltage drop will cause a loss of power and overheat the motor. It may also damage the machine.

⚠ DANGER: DO NOT EXPOSE THE MACHINE TO RAIN OR OPERATE THE MACHINE IN DAMP LOCATIONS.

Your machine is wired for 120 volts, 60 HZ alternating current. Before connecting the machine to the power source, make sure the switch is in the "OFF" position.

ELECTRICAL CONNECTION

This tool has a precision-built electric motor. It should be connected to a POWER SUPPLY THAT IS 120 VOLTS, 60 HZ, AC **ONLY** (NORMAL HOUSEHOLD CURRENT in the U.S. and Canada). **DO NOT** operate this tool on direct current (DC). A substantial voltage drop will cause a loss of power and the motor will overheat. If the tool does not operate when plugged into an outlet, double-check the power supply.

POLARIZED PLUGS

To reduce the risk of electric shock, this equipment has a polarized plug (one blade is wider than the other). This plug will fit in a polarized outlet **ONLY** one way. If the plug does not fully fit in the outlet reverse the plug. If it still does not fit, contact a qualified electrician to install the proper outlet. **DO NOT** change the plug in any way.

EXTENSION CORDS

When using a power tool at a considerable distance from a power source, be sure to use an extension cord that has the capacity to handle the current the tool will draw. An undersized cord will cause a drop in line voltage, resulting in overheating and loss of power. Use the chart to determine the minimum wire size required in an extension cord. **ONLY** round jacketed cords listed by Underwriter's Laboratories (UL) should be used.

NOTE: Before using any extension cord, inspect it for loose or exposed wires and cut or worn insulation.

⚠ WARNING: **KEEP** the extension cord clear of the work area. Position the cord so that it will not get caught on lumber, tools or other obstructions while you are working with a power tool. Failure to do so can result in serious personal injury. Check extension cords before each use. If damaged replace immediately. **NEVER** use tool with a damaged cord, since touching the damaged area could cause electrical shock resulting in serious injury.

** Ampere rating (on total data label)	
12A- 16A	
Cord Length	Wire Size
25'	14 AWG
50'	12 AWG
** Used on 12 gauge - 20 amp circuit	
NOTE: AWG = American Wire Gauge	

UNPACKING

- The machine is heavy, two people are required to unpack and lift.
- Use a safety strap to avoid tip over when lifting machine.
- Prior to tool assembly and use, read this manual thoroughly to familiarize yourself with proper assembly, maintenance and safety procedures.

Check shipping carton and machine for damage before unpacking. Carefully remove components in top foam layer. Remove the top layer of foam then remove all components in the bottom layer of foam. Lay out all parts on a piece of cardboard or other clean, flat surface. Two or more people are needed to lift the saw out of the carton. **ALWAYS** check for and remove protective shipping materials around motors and moving parts. **DO NOT** discard shipping carton and packing materials until you have carefully inspected the contents, assembled the machine and are satisfied that it operates correctly.

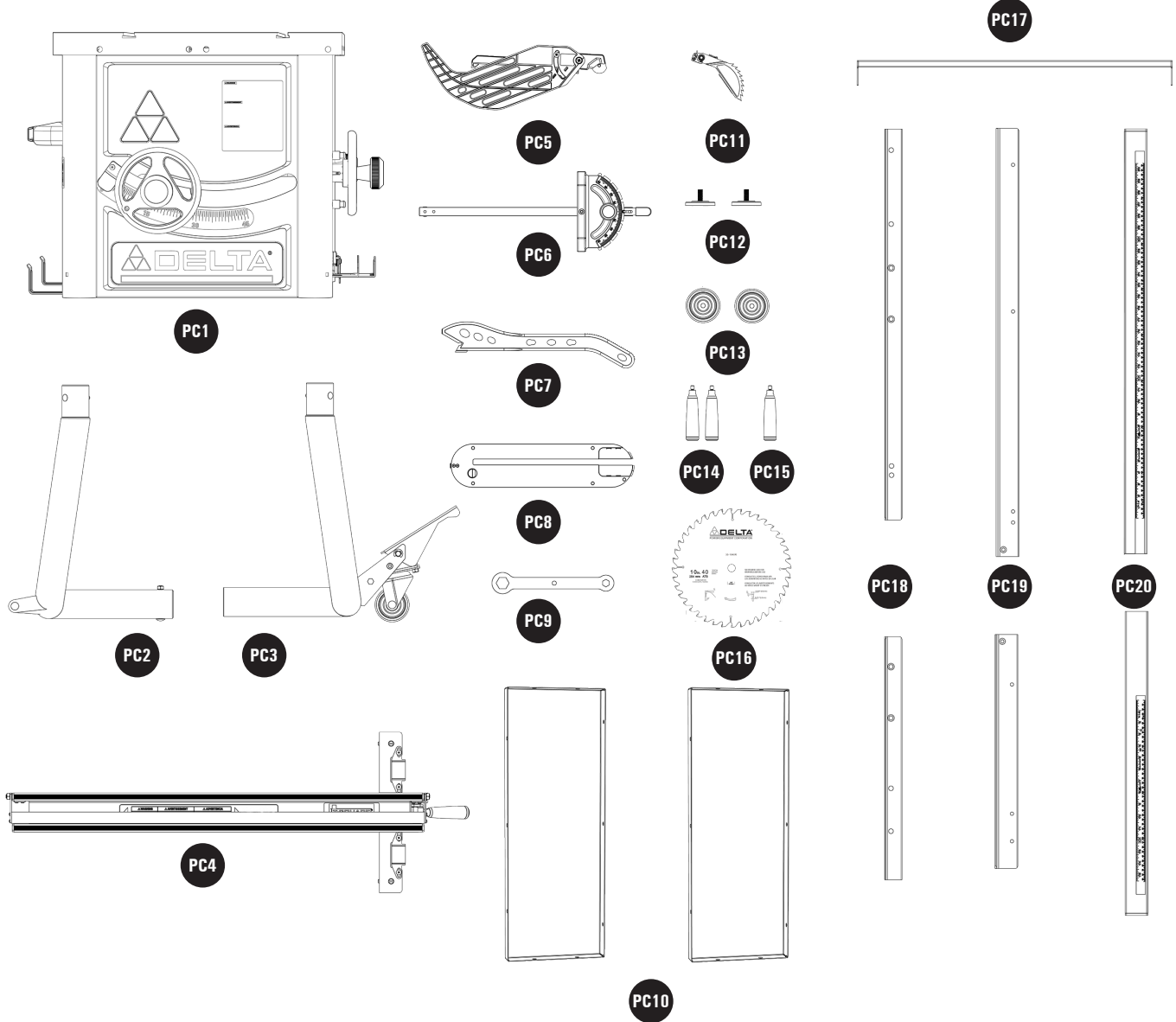
Compare package contents to Package Contents list and Hardware Package list prior to assembly to make sure all items are present. Carefully inspect parts to make sure no damage occurred during shipping. If any parts are missing, damaged or pre-assembled, **DO NOT** assemble. Instead, call DELTA® Customer Care at 1-800-223-7278 for assistance.

After assembly remove any protective materials and coatings from all of the parts and the table saw. The protective coatings can be removed by spraying WD-40® on them and wiping them off with a soft cloth. This may need to be redone several times before all of the protective coatings are removed completely.

After cleaning, apply a good quality paste wax to any unpainted cast iron surfaces. Make sure to buff out the wax before operating the saw.

UNPACKING

PACKAGE CONTENTS



PC1 36-725 T2 Saw Body

PC2 Left Leg (B)

PC3 Right Leg (A)

PC4 Rip Fence

PC5 Blade Guard

PC6 Miter Gauge

PC7 Push Stick

PC8 Throat Plate

PC9 Blade Wrench

PC10 Extension Wings (2)

PC11 Anti-Kickback Pawls

PC12 Adjustable Feet (2)

PC13 Fixed Wheels (2)

PC14 Hand Wheel Handle (2)

PC15 Rip Fence Handle

PC16 10 inch Blade (Pre-Installed)

PC17 Rail Spreader Bar

PC18 Rear Fence Rails (2)

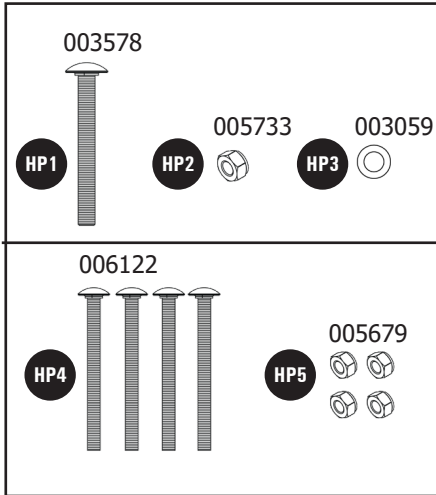
PC19 Front Fence Rails (2)

PC20 Fence Guides (2)

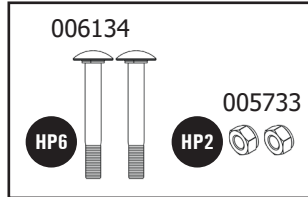
UNPACKING

HARDWARE PACKAGE

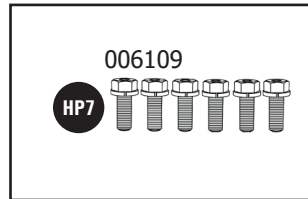
Hardware Bag "A"



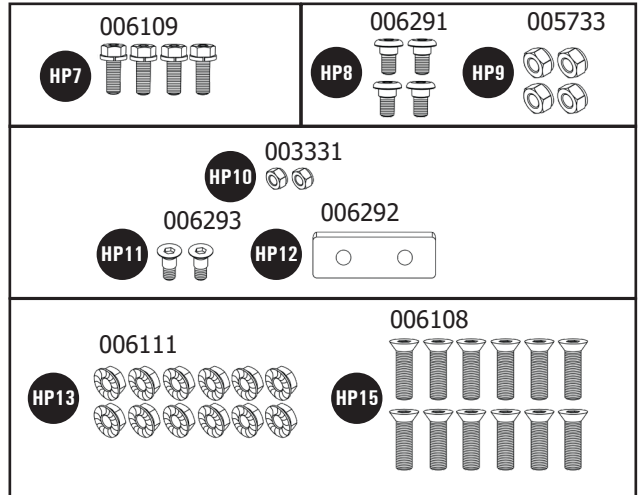
Hardware Bag "B"



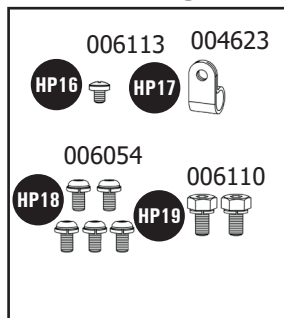
Hardware Bag "C"



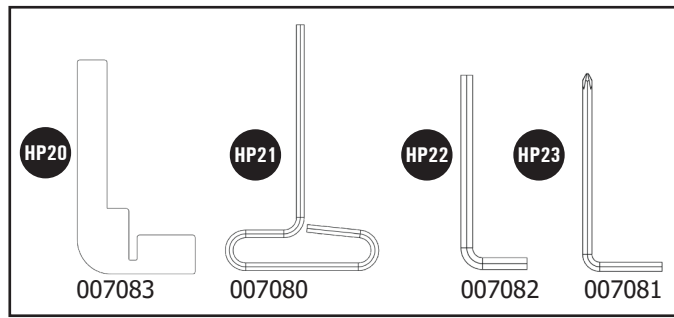
Hardware Bag "D"



Hardware Bag "E"



Hardware Bag "F"



Hardware Bag "A"

- HP1 M8 x 75mm Carriage Bolt (1)
- HP2 M8 Nylock Nut (1)
- HP3 M8 Flat Washer (1)
- HP4 M6 x 72mm Carriage Bolt (4)
- HP5 M6 Nylock Nut (4)

Hardware Bag "E"

- HP16 M5 x 6mm Phillips Head Screw (1)
- HP17 Wire Clip (1)
- HP18 1/4-20 x 1/2 inch Button Head Hex Screw w/ Split Lock Washer (5)
- HP19 1/4-20 x 1/2 inch Hex Screw w/ Split Lock Washer (2)

Hardware Bag "B"

- HP6 M8 x 53mm Carriage Bolt (2)
- HP2 M8 Nylock Nut (2)

Hardware Bag "C"

- HP7 5/16-18 x 7/8 Hex Screw w/Split Lock Washer (6)

Hardware Bag "F"

- HP20 Rail Alignment Gauge (1)
- HP21 4mm T-Handle Allen Wrench (1)
- HP22 6mm Allen Wrench (1)
- HP23 3/16 inch Two-Way Allen Wrench L Shape (1)

Hardware Bag "D"

- HP7 5/16-18 x 7/8 Hex Screw w/Split Lock Washer (4)
- HP8 M8 x16 Hex Shoulder Screw (4)
- HP9 M8 Nylock Nut (4)
- HP10 M5 Nylock Nut (2)
- HP11 M5 x 16mm Flat Countersunk Hex Shoulder Screw (2)
- HP12 Front Rail Union Plate (1)
- HP13 5/16-18 Hex Flange Nut (12)
- HP15 5/16-18 x 1-1/8 inch Flat Countersunk Hex Screw (12)

ASSEMBLY

TOOLS REQUIRED FOR ASSEMBLY (NOT INCLUDED):

- Flat Head Screwdriver
- Phillips Head Screwdriver
- 8mm Wrench
- 10mm Wrench
- 12mm Open-Ended Wrench
- 13mm Wrench
- 9/16 inch Wrench
- 5/32 inch Allen Wrench
- Framing (Carpenter's) Square
- Combination Square
- Straight Edge

⚠ WARNING:

- **DO NOT** lift Saw without help. Hold it close to your body while lifting. **KEEP** knees bent and lift with your legs, not your back.
- Fully assemble Saw with Leg assembly prior to use. Leg assembly is an integral and necessary part of the Support Structure for this Saw.
- **DO NOT** modify Saw, or create accessories not recommended for use with this Saw.
- Make sure Power Switch is in "OFF" position before connecting to Power Supply.
- **DO NOT** connect to Power Supply until assembly is complete.

⚠ CAUTION: Avoid contact with Blade Teeth. **KEEP** Blade stored or lowered when possible.

STAND

Hardware Bag "A"

1. Connect the two Tube Legs together by inserting the end of the Left Leg (PC2) into the end of the Right Leg (PC3). Secure them together with (4) M8 x 75mm Carriage Bolt (HP4), M8 Flat Washer (HP3), M8 Nylock Nut (HP2) and tighten. See Figure 1.
2. Insert the four open ends of the Tube Legs into the Leg Collars (A) as shown. Secure each Leg to the Saw Body with (4) M6 x 72mm Carriage Bolts (HP4) and (4) M6 Nylock Nuts (HP5) and tighten. See Figure 2.

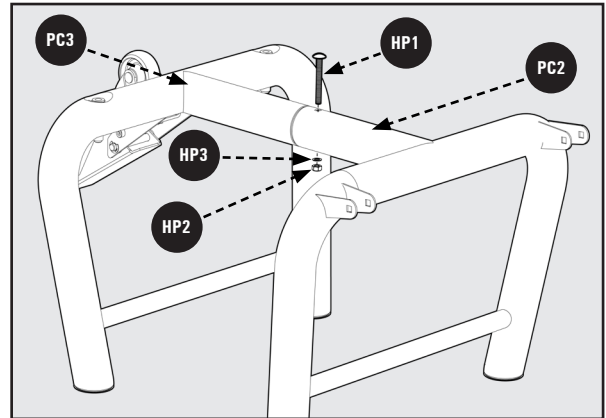


Figure 1

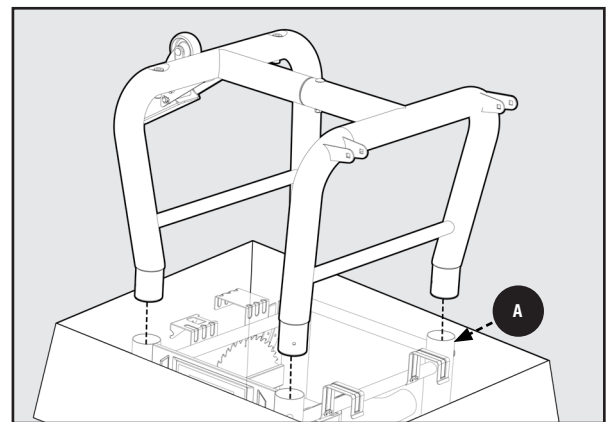


Figure 2

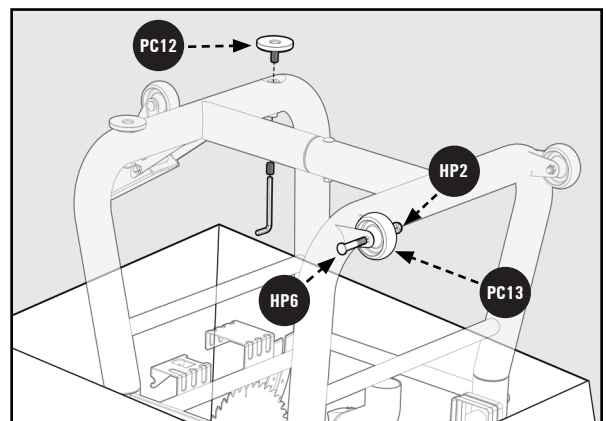


Figure 3

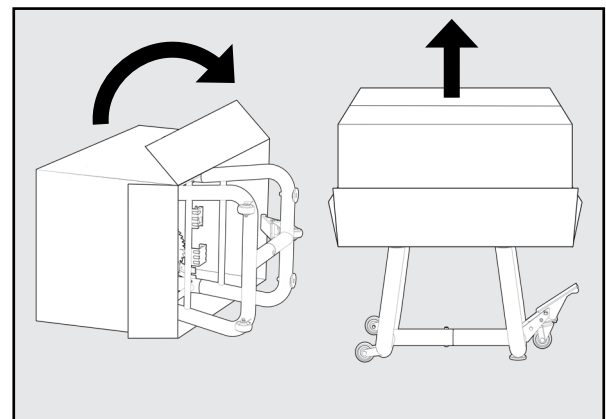


Figure 4

FIXED WHEELS AND STATIONARY FEET

Hardware Bag "B"

1. Attach the two Fixed Wheels (PC13) to the Left Leg using the (2) M8 x 53mm Carriage Bolts (HP6) and M8 Nylock Nuts (HP2). One for each wheel as shown in Figure 3.
2. Screw the Adjustable Feet (PC12) into the threaded inserts in the Right Leg.
3. Carefully stand the box right side up and remove packaging once the machine has been lifted from the ground.

⚠ CAUTION: The machine is heavy, two people may be required to stand the machine up.

4. The two Adjustable Feet (PC12) can be raised and lowered by rotating them clockwise or counterclockwise. The Feet may be adjusted to level the Saw and can be locked in place with the pre-assembled Set Screws using the provided 6mm Allen Wrench. See Figure 3.

ASSEMBLY

FRONT AND REAR RAILS

Hardware Bag "D"

1. Attach the Front Fence Rails **PC19** (1&2) to the Table Front using (4) 5/16-18 x 1-1/8 inch Flat Countersunk Hex Screw **HP15**, and (4) 5/16-18 Hex Flange Nuts **HP13**, see Figure 5 and 6.

NOTE: The Front Rails have holes on both surfaces of the rail for attachment to both the Table and the Fence Guide.

2. Attach the Rail Union Plate **HP12** using (2) M5 x 16mm Flat Countersunk Hex Shoulder Screw **HP11** and (2) M5 Nylock Nuts **HP10** in the two holes where the Rail Sections meet, see Figure 6.
3. Use supplied Rail Alignment Gauge **HP20** to ensure the Rails are the proper distance from the top of the Table. See Figure 7.
4. Attach the Rear Fence Rails **PC18** to the Table with (4) 5/16-18 x 7/8 Hex Screw with Split Lock Washers **HP7**. Use the slot in the supplied Gauge to ensure the Rail is the proper distance from the top of the Table. See Figures 7-9.

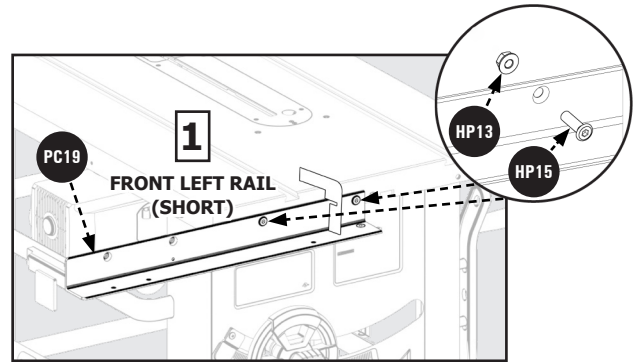


Figure 5

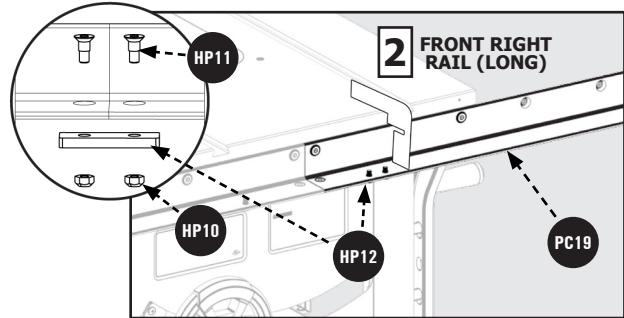


Figure 6

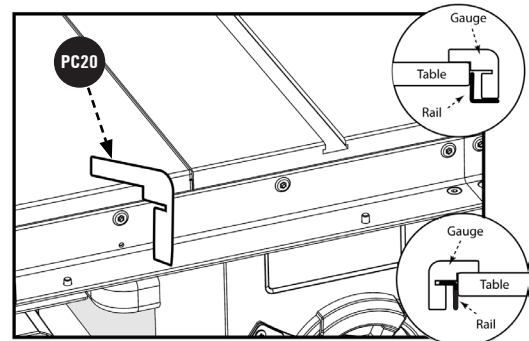


Figure 7

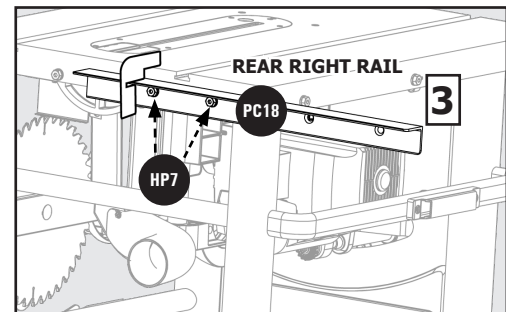


Figure 8

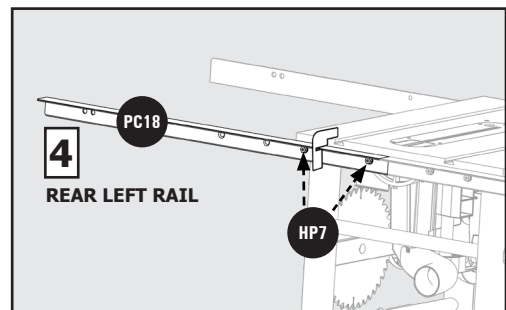


Figure 9

ASSEMBLY

EXTENSION WINGS

Hardware Bag "C,D"

1. Attach the Extension Wings **PC10** to the Table using (6) 5/16-18 x 7/8 Hex Screw with Split Lock Washers **HP7**, (3) for each Wing. The Wings attach from underneath as shown in Figure 10. Be sure to use a Level or Combination Square to keep the Extension Wings level with the Table. **NOTE:** Hole patterns on the two long edges of the extensions are different. See Figure 10A.
2. Attach the Extension Wings to the Front and Rear rails using (8) 5/16-18 x 1-1/8 inch Flat Countersunk Hex Screw **HP15** and 5/16-18 Hex Flange Nuts **HP13**, (4) for each wing. See Figure 11. Be sure to confirm the Front and Rear Rails are level with the Extension Wings by using the Rail Alignment Gauge **HP20**. See Figure 5-9.
3. Repeat this process on Front and Rear Rails for both Extension Wings.
4. Attach the Spreader Bar **PC17** to the outboard end of the Front and Rear Rails using (4) M8 x 16 Hex Shoulder Screws **HP8** and (4) M8 Nylock Nuts **HP9**. See Figure 12.

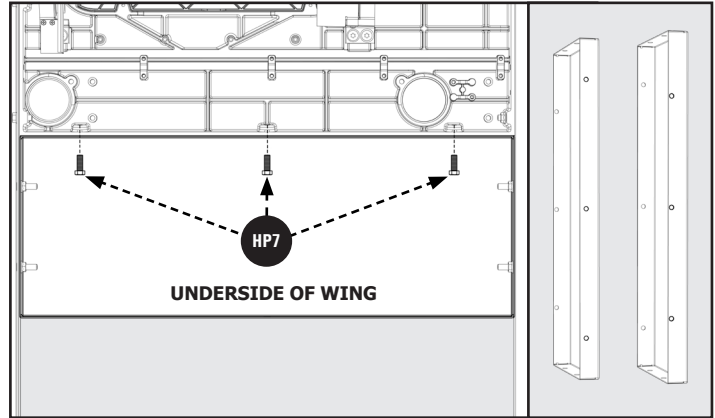


Figure 10

Figure 10A

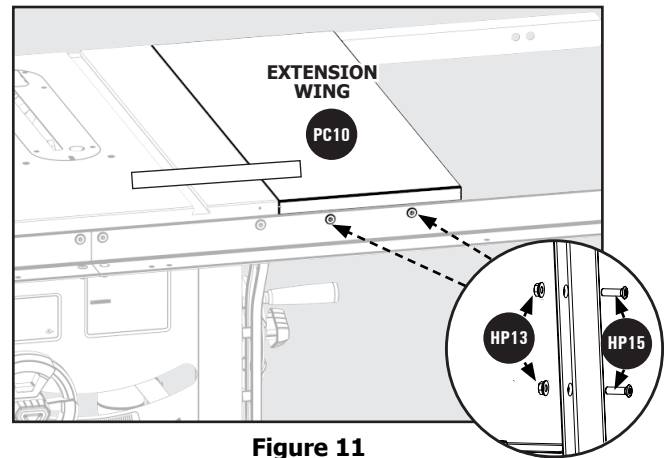


Figure 11

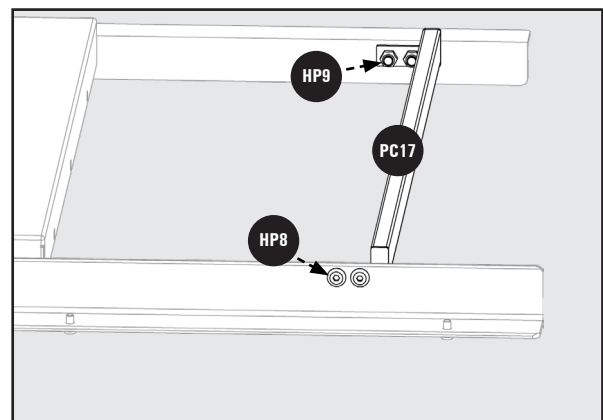


Figure 12

ASSEMBLY

FENCE GUIDE AND POWER CONTROL BOX

Hardware Bag "E"

1. Attach the Right Fence Guide (PC20) using (3) 1/4-20 x 1/2 inch Button Head Hex Screw with Split Lock Washers (HP18) through the holes on the bottom side of the Front Rail. See Figure 13.
2. Attach the Left Fence Guide to the Front Rail (PC20) using (2) 1/4-20 x 1/2 inch Button Head Hex Screw with Split Lock Washers (HP18) through the right two holes on the bottom side of the left half Front Rail (PC19). **NOTE:** Leave these screws loose until the control box screws are started.
3. Align the two holes in the Switch Box Bracket with the holes underneath the Front Rail (PC19), see Figure 14, located on the left side of the saw. Secure the Power Control Box to the Front Rail (PC19) using (2) 1/4-20 x 1/2 inch Hex Screw with Split Lock Washers (HP19). Use a ruler to check that both Left and Right Fence Guides are parallel. See Figure 15.

NOTE: To tighten the bolts that fasten the switch, you may need to use a 12mm open-ended wrench.

4. Fix the hanging Power Cord at rear side of Front Rail by Wire Clip (HP17) and M5 x 6mm Phillips Head Screw (HP16). See Figure 16.

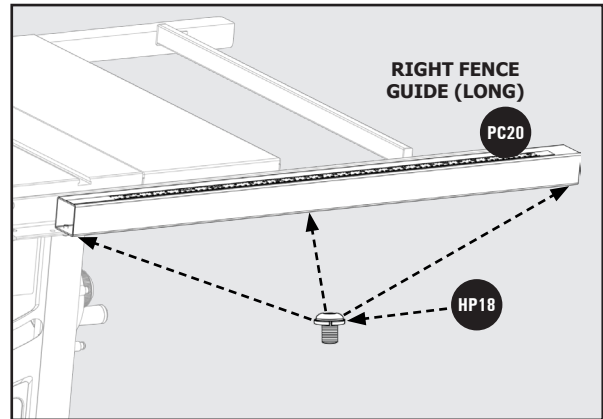


Figure 13

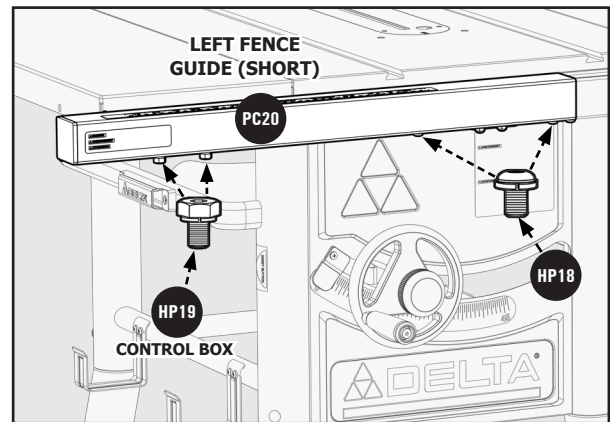


Figure 14

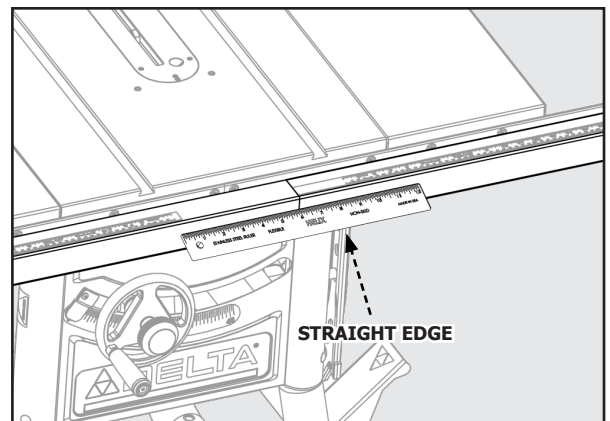


Figure 15

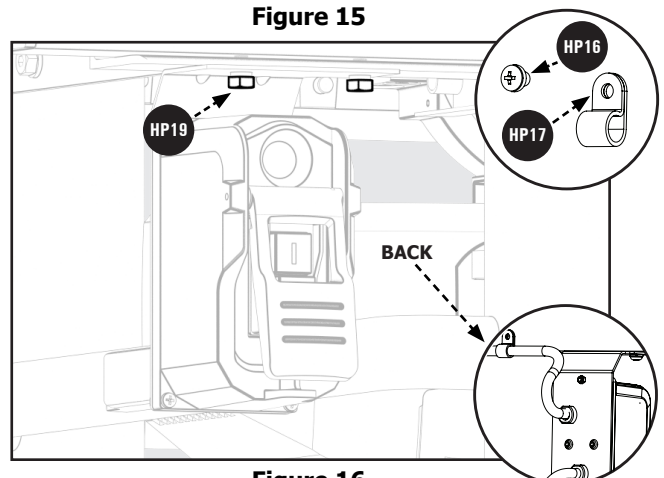


Figure 16

ASSEMBLY

INSTALLING THE HANDLES

Elevation and Bevel Hand Wheels

The elevation and Bevel Handles are packaged together in the box, please install as follows:

1. Insert one Handle **PC14** to the Elevation Hand Wheel located in the front of the Saw, as seen in Figure 17.
2. Insert one Handle **PC14** to the Bevel Hand Wheel located on the right side of the Saw, as seen in Figure 18.

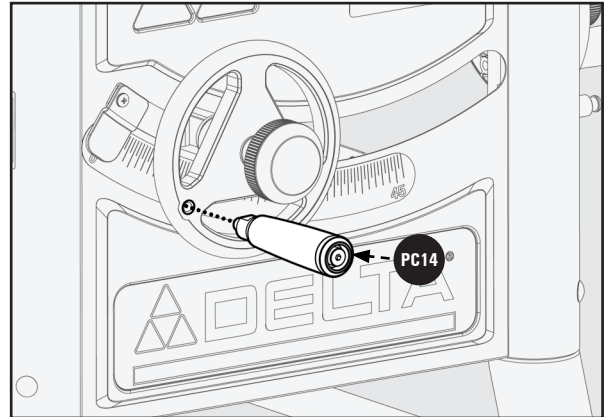


Figure 17

INSTALLING THE RIP FENCE HANDLE

The Rip Fence Handle is packaged individually and labeled accordingly, please install as follows:

1. Screw the Labeled Handle **PC15** to the Rip Fence with the supplied Hex Wrench. See in Figure 18.

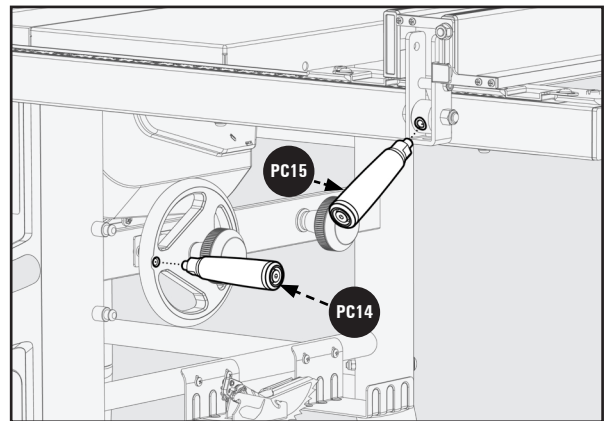


Figure 18

IMPORTANT: Before raising Blade you **MUST** release Bevel Lock and tilt Blade 45° and remove styrofoam block under Motor Housing. See Figure 19.

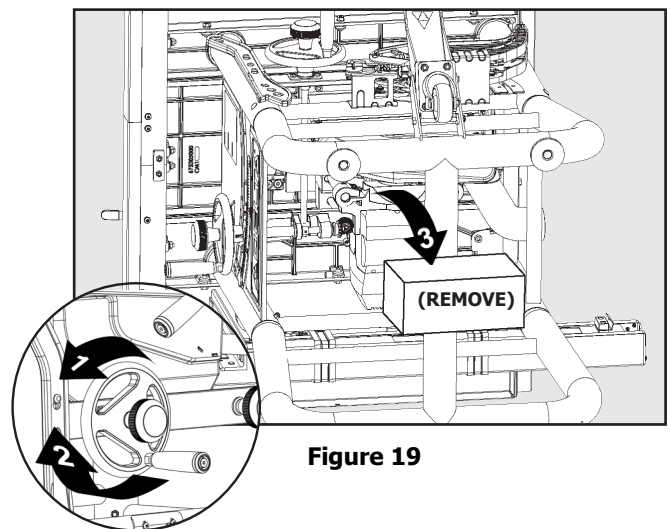


Figure 19

ASSEMBLY

THROAT PLATE

To install Throat Plate **PC8**, lower Blade below Tabletop, then carefully feed the Throat Plate **PC8**, slotted end first, starting at the rear and moving to the front, keeping the Blade centered within the slot on the Throat Plate **PC8**.

⚠ WARNING: To avoid serious injury the height of the Throat Plate **MUST** be properly adjusted. Use set screw openings **A** in Throat Plate to make adjustments. To prevent your workpiece from catching on the Tabletop, and to prevent Anti-Kickback Pawls from catching on the Throat Plate, make sure that:

- a. The front end of the Throat Plate is flush with the Tabletop or up to 0.7mm (1/36 inch) below it, and
- b. The back end of the Throat Plate is flush with the Tabletop, or up to 0.7mm (1/36 inch) above it.

⚠ WARNING: Set screws are provided to accurately adjust Throat Plate height. **DO NOT ATTEMPT TO SCREW THROAT PLATE TO TABLE TOP.**

BLADE AND RIVING KNIFE

⚠ WARNING: To reduce the risk of serious personal injury, the Riving Knife **MUST** be installed and properly positioned for every possible through and non-through cut.

1. Your Saw is shipped with the Blade and Riving Knife installed and properly aligned. The Riving Knife comes installed in the low, non-through cutting position. Prior to operating your Saw, check to make sure the alignment of the Blade to the Miter Slot and the Riving Knife to the Blade was not affected by shipping. To check alignment of the Blade and Riving Knife, see page 23 in the "ALIGNMENT" section of this manual.
2. The Riving Knife comes installed in the low, non-through cutting position. To attach the Anti-Kickback Pawls and Blade Guard Assemblies, the Riving Knife **MUST** be in the raised position as shown in Figure 40. To raise and lower the Riving Knife, see "RIVING KNIFE HEIGHT SETTINGS" on page 28.
3. When installing Riving Knife, Anti-Kickback Pawls and Blade Guard, Blade **MUST** be at 90° setting and raised to the maximum height. See the "RAISING AND LOWERING THE BLADE", page 26.

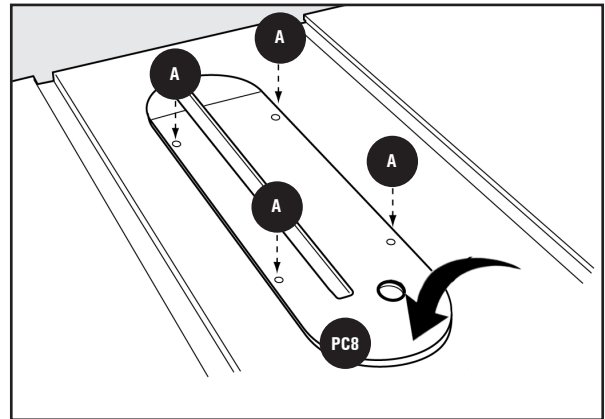


Figure 20

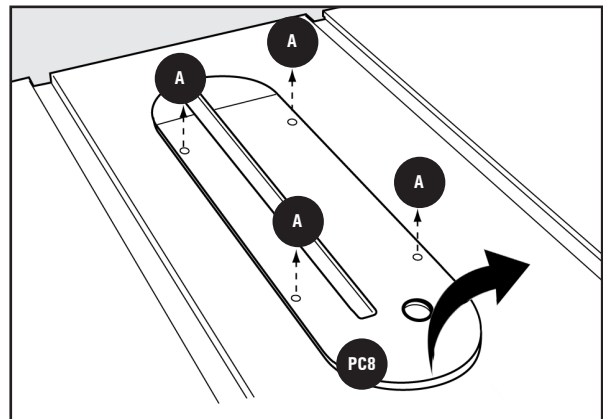


Figure 21

ASSEMBLY

ANTI-KICKBACK PAWLS

⚠ WARNING: To reduce the risk of serious personal injury, Anti-Kickback Pawls **MUST** be in place when making a through cut.

1. See Figure 22 and locate the Anti-Kickback Pawls Mounting Slot **A** in the middle of the top edge of the Riving Knife.
2. Slide Slot in the middle of the Anti-Kickback Pawls Assembly along the top of the Riving Knife until the stem **B** locates the center slot **A** on the Riving Knife.
3. Depress the stem on the Anti-Kickback Pawls Assembly **PC11** to allow the Assembly to drop into the slot. Push down on the Anti-Kickback Pawls Assembly until it snaps into place and locks. Release stem. **NOTE: Pull up on the Anti-Kickback Pawls to make sure it is locked in place.**

To remove the Anti-Kickback Pawls, depress the stem **B** and pull the Anti-Kickback Assembly off the Riving Knife.

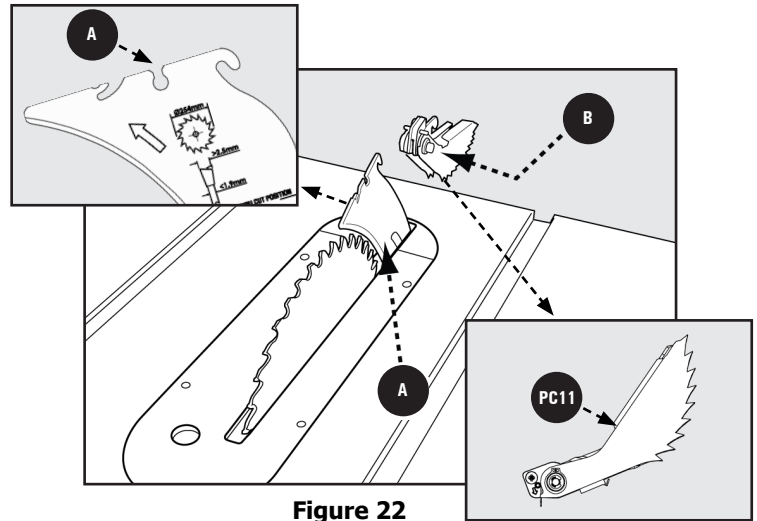


Figure 22

BLADE GUARD

⚠ WARNING: To reduce the risk of serious personal injury, the Blade Guard **MUST** be in place when making a through cut.

1. Before installing the Blade Guard Assembly **PC5**, make sure the riving knife is raised to the through-cut position.
2. While holding the Blade Guard Assembly **PC5** in a vertical position, hook the Locating Pin **B** at the back end of the Blade Guard Assembly into the slot at the back edge of the Riving Knife.
3. Rotate the Blade Guard Assembly toward the front of the Saw until the metal portion **C** of the Blade Guard Assembly is parallel to the Table as shown in Figure 23.
4. While holding down on the front of the metal portion of the Guard **C** press the Blade Guard Lock Lever **D** down until it snaps into the locked position. Check to make sure the Guard is locked onto the Riving Knife by pulling on the Guard. If the Guard is not locked, the Blade Guard Lock Lever will flip up to the unlocked position.

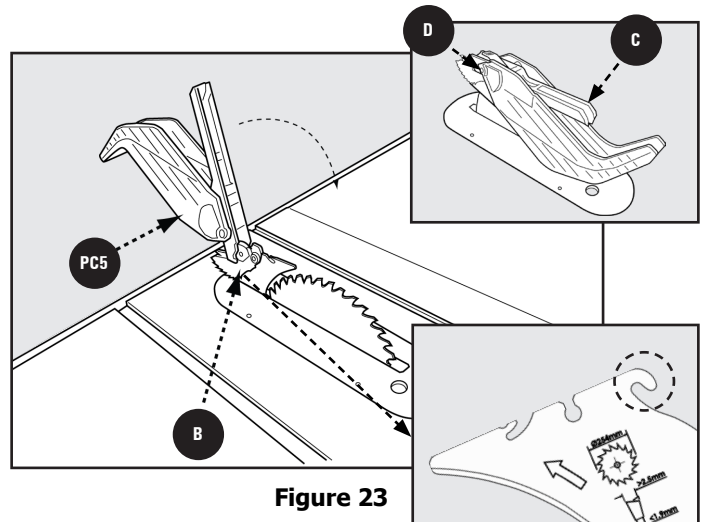


Figure 23

NOTE: Check the Blade Guard for clearances and free movement.

⚠ WARNING: If the metal portion of the Blade Guard Assembly is not parallel to the table, the Riving Knife is not in the raised position. Remove Blade Guard Assembly and Anti-Kickback Pawls and raise Riving Knife, then reinstall the Anti-Kickback Pawls and the Blade Guard Assembly.

NOTE: Also reference Figure 40, page 28.

To remove the blade guard assembly:

1. Lift the Blade Guard Assembly Lock Lever **D** to the unlocked position.
2. Rotate the Guard back and slide the Pin **B** from the Riving Knife Slot.

ASSEMBLY

RIP FENCE

Before installing the Rip Fence, make sure you have attached the Rip Fence Handle to the Fence Cam. The Rip Fence slides onto the Rear Fence Rail so that the Hook is under the Rear Rail and rides on the Front Guide Tube. The Fence locks in place by applying pressure in a downward motion on the Rip Fence Handle. Rip Fence alignment should be checked prior to using your saw. To check alignment of the Rip Fence, see alignment instructions on page 25.

MITER GAUGE

Insert Miter Gauge into each Miter Slot to make sure it slides freely. See "ADJUSTING THE MITER SCALE" section on page 24 for adjustment of Miter Gauge Accuracy.

ON-BOARD STORAGE

The DELTA® #36-725 T2 Contractor Table Saw comes with On-Board Storage for the provided Miter Gauge, Blade Wrench, Push Stick, Fence, Anti-Kickback Pawls and Blade Guard. There is also On-Board Storage for spare Saw Blades (sold separately). The Push Stick, Spare Blade (Blade should be stored protected to avoid injury), Blade Wrench, Anti-Kickback Pawls and Blade Guard Storage areas are located on the Right Side of the Machine, see Figure 25. On-board storage for the Miter Gauge and Fence are located on the left side of the machine as seen in Figure 24.

- PC4 Rip Fence
- PC5 Blade Guard
- PC6 Miter Gauge
- PC7 Push Stick
- PC9 Blade Wrench
- PC11 Anti-Kickback Pawls
- PC16 10 inch Blade (Pre-Installed)

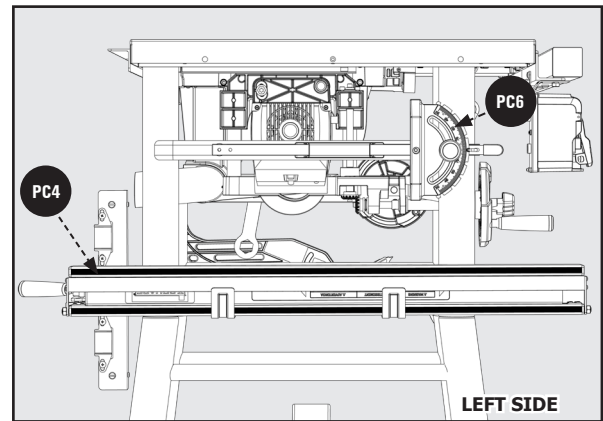


Figure 24

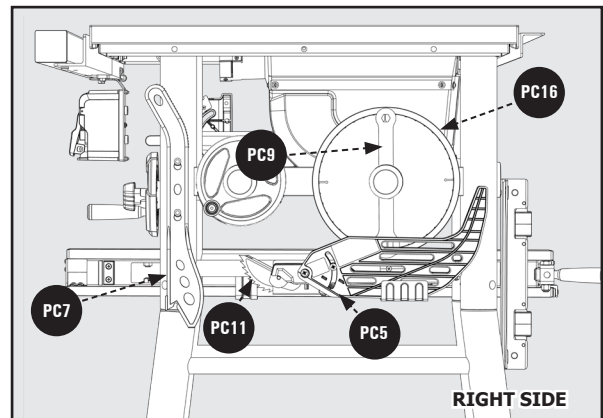


Figure 25

SECURING SAW TO FLOOR

⚠ WARNING: This Saw is designed for mobility. **DO NOT** attempt to use the Saw to cut a large or cumbersome workpiece without first taking appropriate steps to protect against tipping the Saw. Examples of appropriate steps include the use of Support Tables and/or securing the Saw Legs to the floor by replacing the Saw Feet with Connecting Bolts or by attaching the Legs to a Floor Mounted Bracket with U-Bolts.

MAKING ADJUSTMENTS

ADJUSTING 90° AND 45° POSITIVE BEVEL STOPS

There are Positive Stops at each end of the Bevel Range. To ensure accurate cuts, the Positive Stops **MUST** be positioned at exactly 90° and 45°. The Bevel Stops are properly adjusted as shipped. However, for maximum accuracy, you should check the position of the Stops upon assembly and from time to time to assure that the settings remain satisfactory. To check the position of the Stops and adjust if necessary, see Figure 26 and do the following:

1. Release the Center Knob on the Bevel Handwheel, located on the right side of the Saw by rotating counter-clockwise.
2. Rotate the Bevel Handwheel counter clockwise and tilt the Blade to the 0° position until the Stop is reached.
3. Using a Combination Square **C**, check the angle of the Blade Face to the Table, as shown in Figure 27. Confirm the blade is at 90° to the table.
4. If the Blade is not perpendicular to the Table, turn Hand wheel to slightly tilt the Blade away from the Stop Position then adjust the 90° Stop by adjusting the Set Screw located in the Table Top immediately in front of the left side of Throat Plate **A**. Re-check angle using the Carpenter's Square and continue to adjust until the Blade is at 90° when returned to the Stop Position.
5. Rotate the Bevel Handwheel clockwise until it rests on the 45° Stop. Then repeat Steps 3 and 4, adjusting the 45° Stop by adjusting the Set Screw located in front of the right side of the Throat Plate **B**.

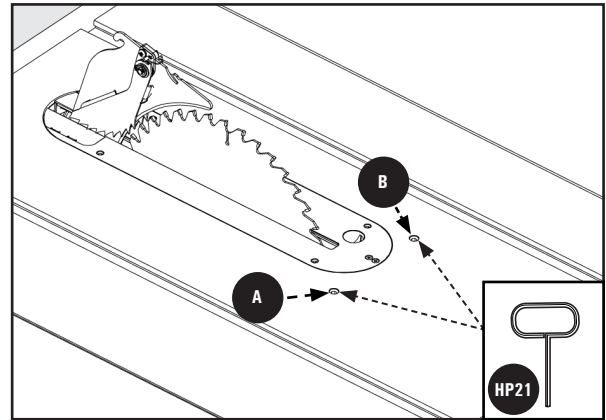


Figure 26

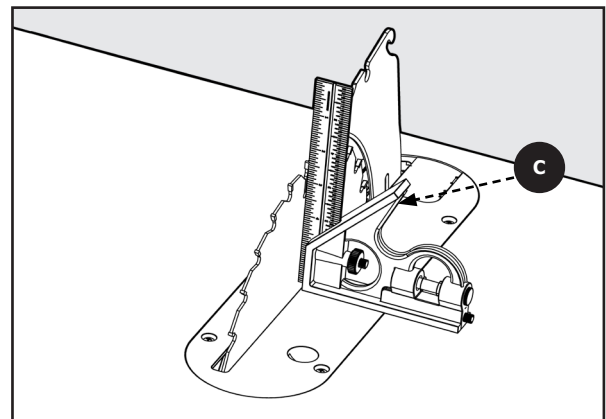


Figure 27

MAKING ADJUSTMENTS

RIVING KNIFE ALIGNMENT WITH THE BLADE

This procedure requires a the supplied 4mm T-handle Allen Wrench **HP21** and straight edge ruler. See Figure 30.

⚠ WARNING: Completely disconnect saw from power source before making any adjustments.

1. Carefully remove throat plate.
2. Loosen the two hex-head screws **A** shown in Figure 28.
3. Using a straight edge ruler, align riving knife with blade edge, see Figure 29.
4. Tighten the two hex-head screws **A**, see Figure 28.
5. To adjust parallel alignment use the two set screws **B**, see Figure 28. Clockwise: adjust riving knife to the right. Counter-clockwise: adjust riving knife to the left. If needed, use the set screws to align the riving knife with blade face and the square.
6. Fully tighten the two hex-head cap screws.
7. Replace throat plate, blade guard and anti-kickback assemblies before use.

⚠ WARNING: If any dragging or binding of the workpiece is encountered as it reaches the riving knife, turn unit off and disconnect machine from power source and readjust the riving knife/blade alignment or replace the blade. NEVER attempt to back partially-cut workpiece out of blade while blade is moving.

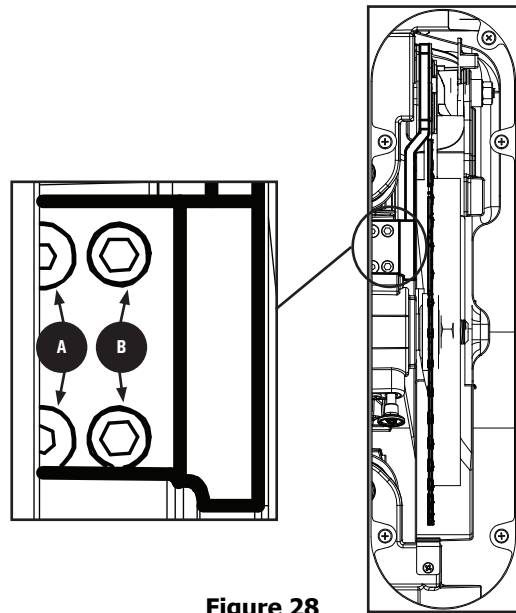


Figure 28

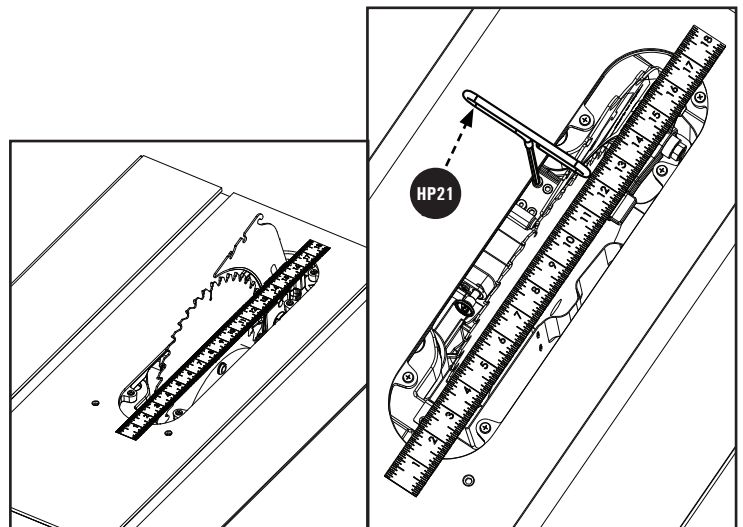


Figure 29

Figure 30

NOTE: Scan QR code or visit us at <https://youtu.be/FDQxRbmFxPs> to see Riving Knife Alignment with the Blade video instructions.



MAKING ADJUSTMENTS

ADJUSTING THE MITER GAUGE SCALE

1. Use the supplied 3/16 inch two-way Allen wrench to loosen the three Phillip screws located in the back of the miter gauge, see in Figure 31 **A**.
2. Loosen the knob, see in Figure 31 **B**.
3. Adjust the detent plate so that the indicator measures the correct angle, see in Figure 31 **C**.
4. Once lined up, re-tighten the knob, and Phillip screws back in place.

NOTE: Use a combination square to check bar to head angle. If miter gauge bar is not square to miter gauge head, then adjustment is necessary.

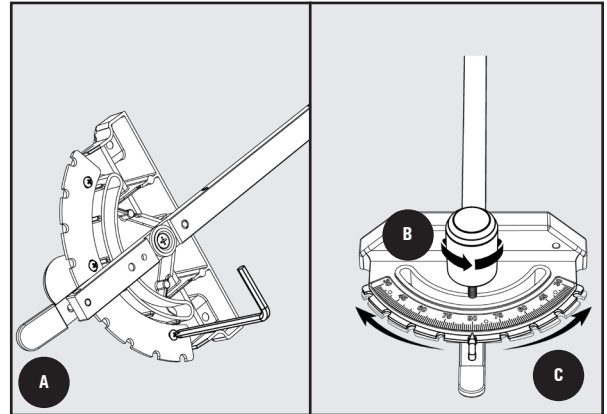


Figure 31

ADJUSTING THE MITER GAUGE FITMENT

To adjust the fitment between the miter gauge bar and the miter slot:

1. Use a 3/32 inch Allen wrench on any of the three set screws located on the side of the bar. See Figure 32 and 33.
2. To remove any side-to-side movement between the miter gauge bar and miter gauge table slot adjust the three small set screws found along the length of the miter gauge bar.

NOTE: The set screws should extend just beyond the side of the bar.

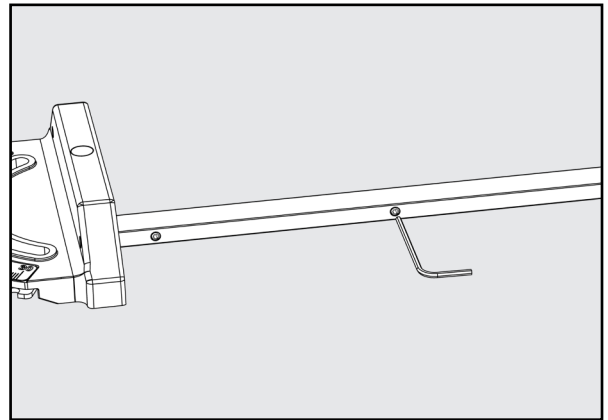


Figure 32

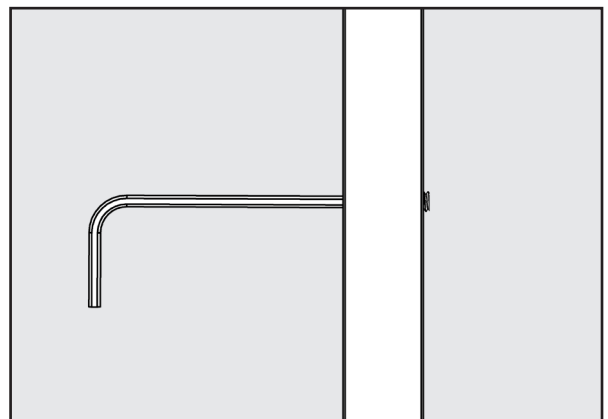


Figure 33

MAKING ADJUSTMENTS

ALIGNING FENCE PARALLEL TO MITER SLOT

1. Move fence adjacent to right miter gauge slot and secure to the guide tube by lowering the fence clamping lever.
2. If the fence face **A**, Figure 34, is not parallel to the miter slot **B**, raise the clamping lever and lift the fence and place it on the saw table.
3. Adjust one or both of the set screws **C** 1/4 turn or less.
4. Replace fence on guide tube and verify the fence is parallel to the miter slot. If fence is closer to parallel, turn the set screw in the same direction but a little less. If the fence is further out of parallel, turn the set screw in the opposite direction.

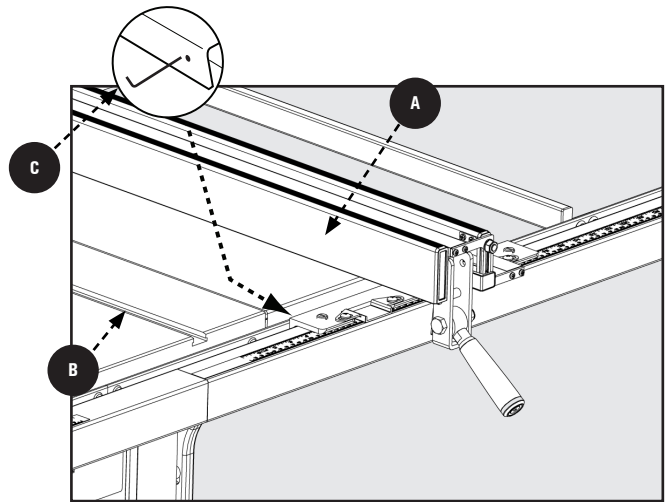


Figure 34

ALIGNING FENCE PERPENDICULAR TO THE TABLE

1. Move fence over the cast iron table and secure to the guide tube by lowering the fence clamping lever.
2. Use a square to check that the fence face is perpendicular to the table.
3. If the fence face is not perpendicular to the table, release the clamping lever and slightly adjust one of the slotted set screws **A**, Figure 35, until the fence face is perpendicular to the table.
4. Secure the fence to the guide tube to insure the fence remains perpendicular. If not, repeat steps 1 through 3.

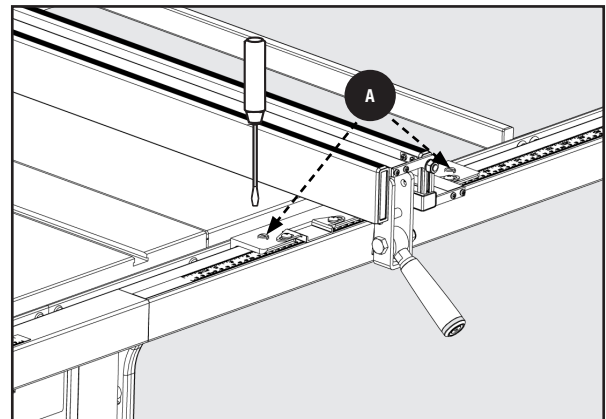


Figure 35

DUST COLLECTION

1. Connect a 2 1/2 inch shop vacuum or dust collection hose to dust port on back of saw for best dust collection. See Figure 36.

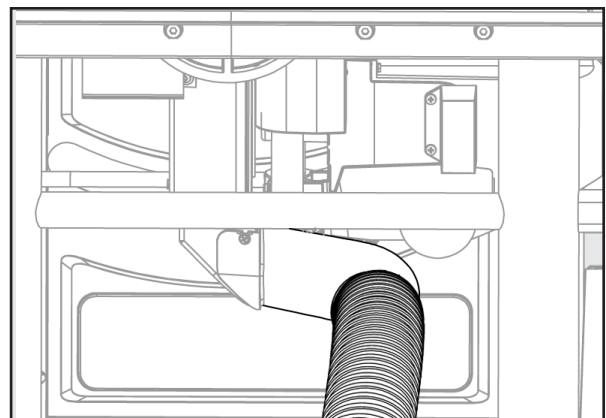


Figure 36

PREPARING TO CUT

⚠ WARNING: Failure to comply with the following warnings may result in serious personal injury.

- **ALWAYS** make sure your workpiece is not in contact with the blade before operating the switch to start the saw. Blade contact could result in kickback or thrown workpiece.
- To reduce the risk of accidental starting, **ALWAYS** make sure the switch is in the off position before plugging saw into power source.
- **DO NOT** use blades rated less than the speed of this tool. Failure to heed this warning could result in serious personal injury.
- Turn unit off and disconnect it from power source before installing and removing accessories, before adjusting and when making repairs. An accidental start-up can cause injury.
- Prior to operating the saw, make sure you are familiar with its features and controls, and have made all necessary adjustments as described below.

RAISING AND LOWERING THE BLADE

For most applications, it is recommended that you raise the blade 1/8 inch (3.2mm) to 1/4 inch (6.4mm) above the top surface of the workpiece.

Raise or lower the blade with the hand wheel **A** located on the front of the saw. See Figure 37.

1. Before raising or lowering the blade, be sure to loosen the lock knob **B** by turning it counterclockwise.
2. To raise the saw blade, turn the hand wheel clockwise. To lower the saw blade, turn the hand wheel counterclockwise.
3. Tighten lock knob to **KEEP** blade at the desired height. **ONLY** a small amount of force is required to lock the blade raising mechanism securely. Any added force merely puts unnecessary strain on the locking device.
4. When done operating the saw, and when performing maintenance, adjustments or repairs, lower blade below surface of table (If applicable).

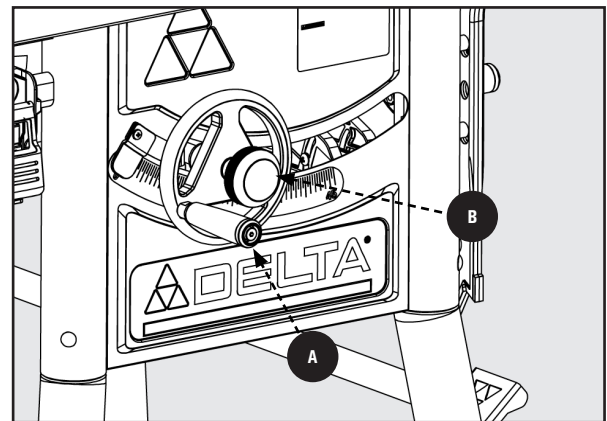


Figure 37

TILTING THE BLADE

The blade can be tilted up to 45° to the left using the Bevel Handwheel **A** located on the right side of the saw. See Figure 38. The angle of tilt is measured by the bevel gauge on the front of the saw. To tilt the saw blade:

1. Loosen the lock knob **B** counterclockwise and turn the hand wheel clockwise. A pointer on the front of the saw indicates the angle of tilt in 1/2 degree increments.
2. To lock the saw blade at your desired angle, tighten the lock knob by rotating it clockwise. **ONLY** a small amount of force is required to lock the blade raising mechanism securely. Any added force merely puts unnecessary strain on the locking device.

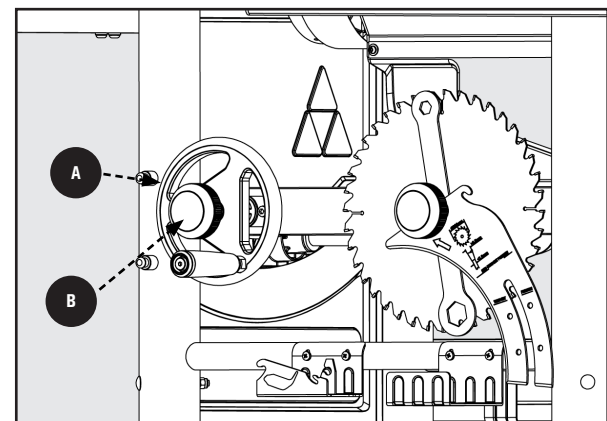


Figure 38

PREPARING TO CUT

SELECTING AND STORING SAW BLADES

Driving knives **MUST** be matched to saw blade dimensions in order to function effectively.

The saw blade furnished with your new saw is a 10 inch (254mm) combination blade, used for cross cutting (across the grain) and ripping (with the grain) through the workpiece. The arbor hole of the blade is 5/8 inch (16mm) diameter. This blade will produce a good quality cut for most applications.

There are many types of blades available to do specific and special jobs such as cross cut **ONLY**, rip **ONLY**, dado cuts, thin plywood, paneling, etc.

Use **ONLY** saw blades designed for maximum safe operating speeds of 3,600 RPM or greater. **ONLY** use 10 inch blades designed for wood cutting.

Saw blades should **ALWAYS** be kept sharp. It is recommended that you locate a reputable sharpening service to sharpen your blades when needed.

NEVER stack blades on top of one another to store. Place material such as cardboard between them to **KEEP** the blades from coming in contact with one another, or place them in storage drawer.

Abrasive wheels or blades (including diamond) should not be used on this saw.

This tool can **ONLY** be used with woodworking saw blades.

CHANGING THE SAW BLADE

▲WARNING: Use **ONLY** 10 inch (254mm) diameter blades with 5/8 inch (16mm) arbor holes, rated at 3,600 rpm or higher, 0.102 inch (2.6mm) minimum kerf width and 0.073 inch (1.8mm) maximum body thickness. Use **ONLY** a saw blade diameter in accordance with the markings on the saw.

▲WARNING: To reduce the risk of injury, turn unit off and disconnect it from power source before installing and removing blades and accessories, before adjusting and when making repairs. An accidental start-up can cause injury.

1. Remove the throat plate and raise the saw blade to its maximum height.
2. Push and hold arbor lock button **A**, see Figure 39.
3. Use supplied blade wrench to remove the blade by turning counter-clockwise and retaining nut and flange **B**. Remove old blade.
4. Place the new blade on the arbor with the teeth pointing down as the blade rotates toward the front of the saw.
5. Replace and tighten the blade retaining nut and flange.
6. Replace throat plate.

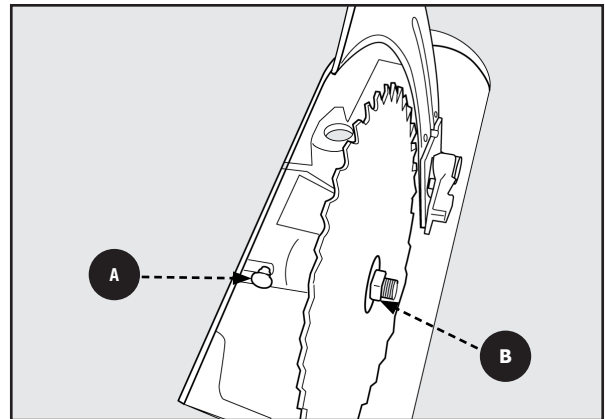


Figure 39

PREPARING TO CUT

RIVING KNIFE POSITION

NOTE: Safety devices, blade guard assembly and anti-kickback assembly have been removed in Figure 40 in order to show the location of specific features. When operating the saw, these safety devices should be in place and working properly.

The riving knife is a flat plate that fits into the cut made by the saw blade and effectively fights kickback by lessening the tension of the blade to bind in the cut. It **MUST** be installed and properly positioned for every through cut and for every non-through cut unless the riving knife would interfere with the workpiece.

The riving knife thickness **A** **MUST** be greater than the blade body or plate thickness **B** and less than the kerf or cutting width **C** as shown in Figure 40. The riving knife provided with this saw is 2.2mm thick and may be used **ONLY** with a 10 inch (254mm) blade with 0.102 inch (2.6mm) minimum kerf width and 0.073 inch (1.8mm) maximum body thickness. **DO NOT** attempt to use this riving knife with blades that are not within these dimensions.

⚠ WARNING: NEVER use a blade that does not match the dimensions indicated for use with your riving knife.

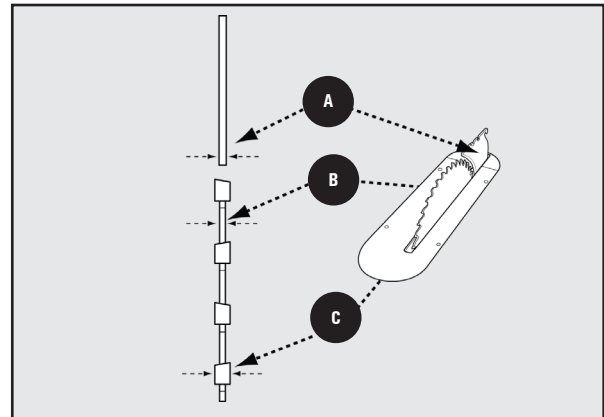


Figure 40

RIVING KNIFE HEIGHT SETTINGS

The height of the riving knife should be adjusted based on the type of cut being made. For all through cuts (when the wood is completely severed), it should be in the raised position, with anti-kickback pawls and guard installed. For non-through cuts (when the blade does not penetrate the top of the workpiece), the riving knife should be in the lowered position and anti-kickback pawls and guard removed.

TO RAISE OR LOWER THE RIVING KNIFE:

1. Remove the throat plate and raise blade to the full height above the table.
2. Locate the locking lever near the base of the riving knife **A**.
3. Rotate the lever by turning clockwise to unlock and release the riving knife from its locked position.
4. Using your hand positioned near the top of the knife, lean the knife outward away from the two locking pins beside its middle slot. This now frees the knife to slide into the upward/ through cut position.
5. Lift the knife upward along the sliding slot until you feel the new locking pins position.
6. Release the knife and it should snap into its new position; wiggle if necessary.
7. Return the locking lever to the locked position. If you have done this properly the riving knife will be aligned with the blade. If it is not retrace your steps until it does.

NOTE: When adjusting the riving knife up or down, be sure to pull in a radial motion, as shown.

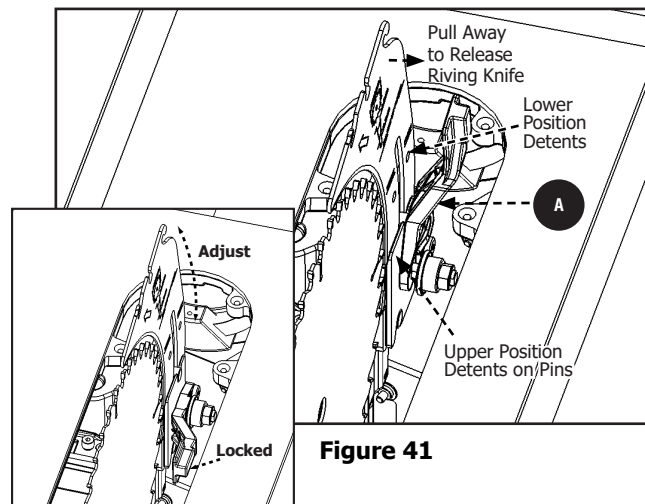


Figure 41

⚠ WARNING: DO NOT operate saw unless riving knife is securely clamped in the raised position for through cutting or the lowered position for non-through cutting.

PREPARING TO CUT

CHECKING RIVING KNIFE ALIGNMENT

⚠ WARNING: Before connecting the table saw to the power source and operating the saw, ALWAYS inspect the blade guard assembly and riving knife for proper alignment and clearance with saw blade. Check the riving knife alignment after each blade change.

TO CHECK ALIGNMENT:

- 1. Horizontal Alignment:** Lay a straight edge on the table against blade face **A** and make sure it extends out along the riving knife **B**, see Figure 42. The riving knife should just touch the straight edge. Be sure the straight edge goes between the teeth and rests on the blade face and the riving knife for proper alignment.
- 2. Vertical Alignment:** Place a combination square on the table and against the blade face and make sure it extends up along the riving knife **B** see Figure 43. The riving knife and blade should touch the carpenter's square with no gaps. Be sure the straight edge goes between the teeth and rests on the blade face and the riving knife for proper alignment.

NOTE: If the riving knife and blade are out of horizontal or vertical alignment, refer to riving knife alignment instructions on page 23 of this manual.

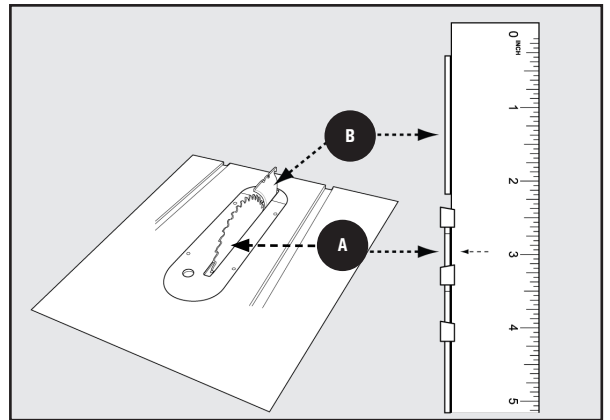


Figure 42

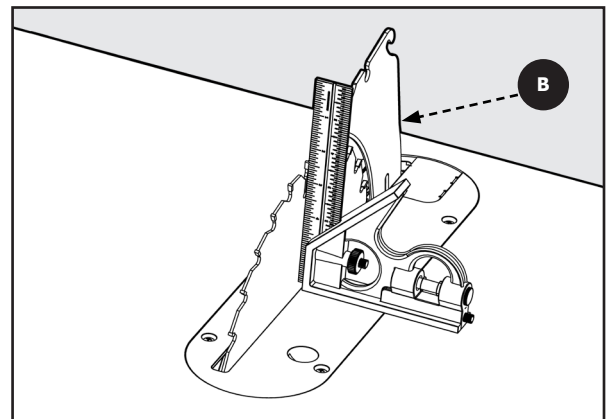


Figure 43

CHECKING BLADE PARALLELISM TO MITER GAUGE GROOVE (HEEL)

See Figures 44 & 45.

- Blade **A** **MUST** be parallel to miter gauge groove so that wood does not bind, resulting in kickback.

⚠ WARNING: Failure to do so could result in serious personal injury.

- To reduce risk of injury from kickback, align miter gauge groove to blade **A** following any blade adjustments.

DO NOT loosen any screws for this adjustment until alignment has been checked with a square to be sure adjustments are necessary. Once screws are loosened, items **MUST** be reset.

NOTE: Unplug saw. Remove blade guard and anti-kickback pawls. Raise the blade **A** by turning height adjusting wheel.

- Mark beside one of blade teeth at front of blade **A** (Figure 44-1). Place the combination square against the marked tooth at the front of the blade **A** with the head of the square against the miter gauge groove as shown.
- Turn blade **A** so that marked tooth is at back. Move combination square to the rear and again measure the distance (2). If the distances are the same, blade **A** is parallel.

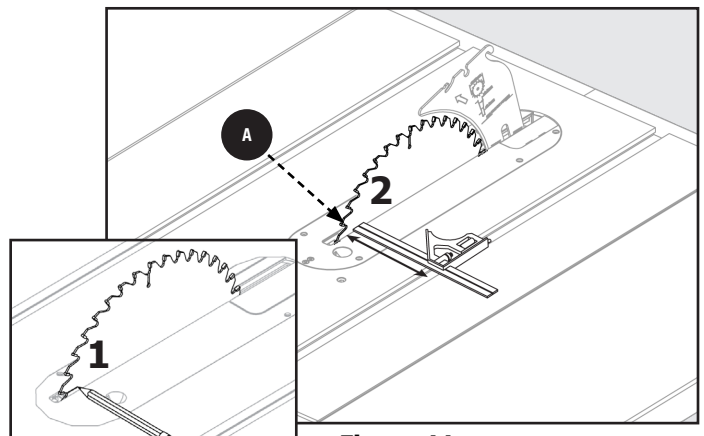


Figure 44

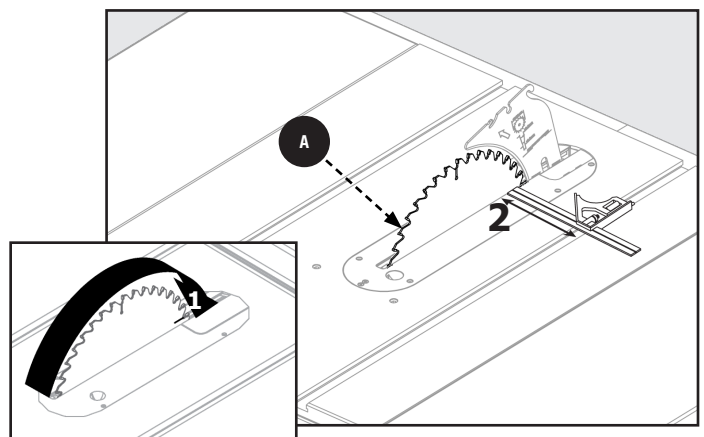


Figure 45

ADJUSTING BLADE PARALLELISM TO MITER GAUGE GROOVE (HEEL)

The 36-725 T2 Table Saw blade alignment has been set at factory to ensure full accuracy when assembled. If you have already checked the blade parallelism and your blade is not parallel to the miter slot, please contact DELTA® Customer Support at 1-800-223-7278.

PREPARING TO CUT

USING THE MITER GAUGE

The miter gauge is equipped with adjustable index stops at 90°, 75°, 60°, 45° and 30°. To set the miter for an angled cut, see Figure 46 and:

1. Loosen the handle **A**.
2. Depress the thumb lever **B**.
3. Move the body of the miter gauge to the desired angle maximum 30° on either side.
4. Release the thumb lever and re-tighten the handle.

The Miter Gauge is equipped with two washers both in the front and end of the bar, which directly fits into any of the T-slots in the work table. This allows for the miter gauge to stay in place and level with the saw's table.

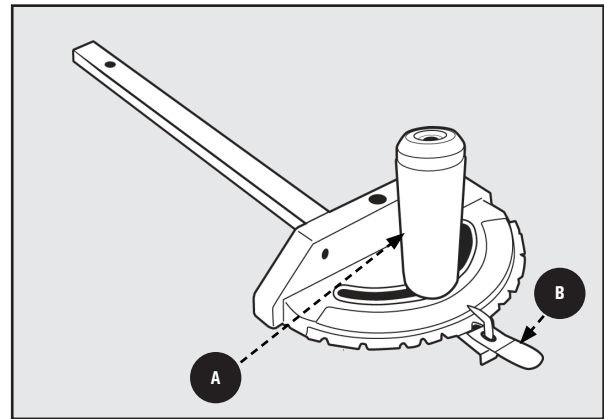


Figure 46

USING BLADE GUARD ASSEMBLY

⚠ WARNING: The anti-kickback pawls and blade guard **MUST** be used for all through-cuts. **KEEP** both guard shields down and arms, hands and fingers away from the blade, blade guard and anti-kickback pawls when power is on to prevent serious injury. See assembly instructions on page 20 for proper installation and removal of anti-kickback pawls and blade guard.

If there is a need to briefly raise the blade guard (for example, to make a measurement) the guard can be parked in a raised position.

1. Refer to Figure 47 and, lifting the guard from the front, raise the guard shield until it snaps into a locked position above the table. One or both guard shields can be raised.
2. When done making the measurement, return guard to operating position.

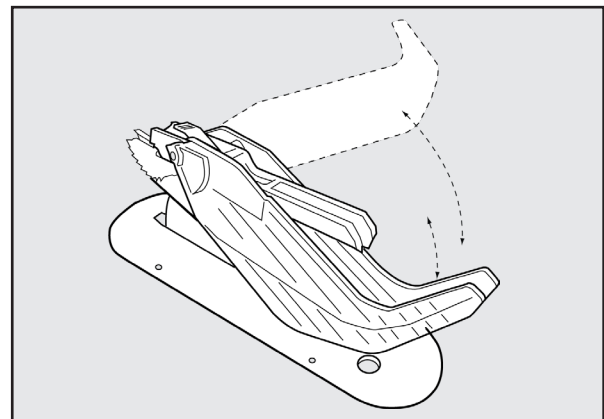


Figure 47

CHECKING FENCE ALIGNMENT

⚠ WARNING: **DO NOT** attempt to use a rip fence that is not properly aligned.

Every time you use the rip fence, check its alignment to make sure the fence is parallel to the miter slot. To check the alignment of your rip fence, place the fence adjacent to miter slot and lock the fence in place. If the fence is not aligned to the miter slot from the front to the back, see instructions for aligning rip fence on page 25 of this manual. If you are not able to successfully align the rip fence, replace the rip fence or call DELTA® Customer Service at 1-800-223-7278.

TRANSPORTING THE SAW

NOTE: Make sure the saw is OFF and the blade lowered below the tabletop before attempting to move the saw.

To move saw step down on pivot pedal, place hands on each fence rail, and move saw to desired location. Lift the pivot pedal up after the saw is moved to desired location. See Figure 48.

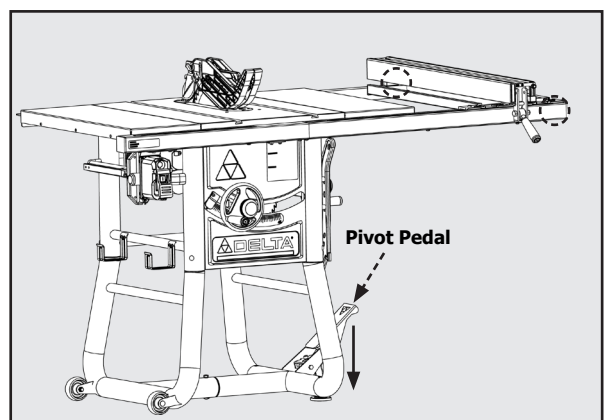


Figure 48

OPERATION

▲ WARNING: Failure to comply with the following warnings may result in serious personal injury.

READ ENTIRE MANUAL. In addition to reading these operating instructions, it is important to read and understand the entire manual before operating this saw. Follow all applicable instructions regarding assembly, preparation, and adjustment prior to making any cuts and comply with all safety rules and warnings in this section and elsewhere throughout this manual.

1. Each time you use the saw, run through the following checklist:
 - Are the power source and power connections adequate for the saw?
 - Are the saw and work area free of clutter and by-standers?
 - Is the blade tight and properly aligned?
 - Does the riving knife thickness match the blade?
 - Are the blade and riving knife properly aligned?
 - Is the operator qualified to make the cut and familiar with all of the relevant safety rules, warnings and instructions included in this manual?
 - Is the operator and everyone in proximity to the saw wearing appropriate eye, hearing and respiratory equipment?
 - Are the bevel angle and height adjustment knobs locked in the proper position?
 - Is the blade set at the proper height?
 - If ripping, is the rip fence parallel to the blade and securely locked in position?
 - If crosscutting, is the miter gauge knob tight?
 - If making through cuts with a standard blade, are the blade guard riving knife and anti-kickback pawls properly attached and properly functioning with both guards contacting the table surface?
 - Is there proper clearance and support for the workpiece as it leaves the blade?
 - Are any cutting aids needed? If so, are they in place, or within reach for proper use?
2. The use of attachments and accessories not recommended by DELTA® may result in injury.
3. Replace or sharpen the anti-kickback fingers when the points become dull.
4. Make sure saw is stable and cutting can be accomplished without tipping the saw. **DO NOT** attempt to cut large workpieces without securing saw to a stable surface.
5. **NEVER** use the fence and miter gauge together without using a cutoff block as described elsewhere in this manual.
6. The proper throat plate **MUST** be in place at all times.
7. If your saw makes an unfamiliar noise or if it vibrates excessively, cease operating immediately until the source has been located and the problem corrected.
8. **NEVER** perform freehand cutting, plunge cutting, re-sawing or cove cutting.

AVOID KICKBACK

A kickback can occur when the workpiece pinches the blade, or binds between the saw blade and the rip fence or other fixed object. This can cause the workpiece to rise from the table and/or be thrown back toward the operator. See instructions for reducing the risk of kickback on page 8 of this manual.

IF KICKBACK OCCURS, turn the saw "OFF" and verify proper alignment of the blade, riving knife and miter gauge or rip fence. Also the proper functioning of the riving knife, anti-kickback assembly and blade guard assembly before resuming work.

STARTING AND STOPPING THE SAW

The POWER switch in Figure 49, is located underneath the front left extension wing.

1. To turn the saw "ON", push the green "On" button **C**.
2. To turn the saw "OFF", push the red paddle switch in **A**.

When not in use, the saw should be turned off and the power switch locked out to prevent unauthorized use. To lock out power switch, use a standard long shackle lock **D**, with a shackle that is at least 2 3/4 inches (70mm) long and with shackle posts no larger than 9/32 inch (7mm) diameter.

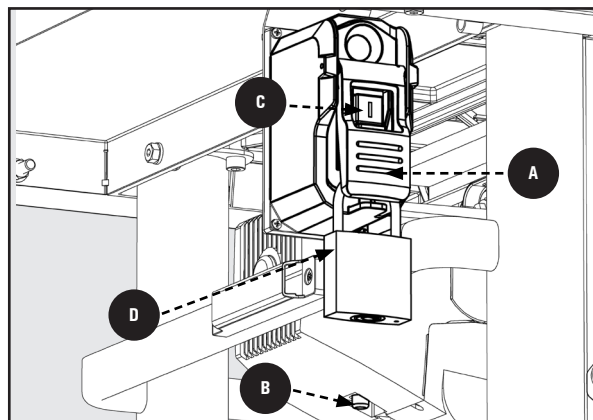


Figure 49

OPERATION

OVERLOAD PROTECTION

Your saw is supplied with overload protection. If the motor shuts off or fails to start due to overloading (cutting stock too fast, using a dull blade, using the saw beyond its capacity, etc.) or low voltage, let the motor cool three to five minutes. Then depress the red reset button **B**, on the motor under the saw, see Figure 49, and restart the saw.

NOTICE: If the motor continually shuts off due to overloading, contact a qualified electrician.

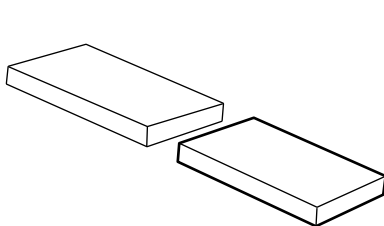
MAKING CUTS

MAKING CUTS

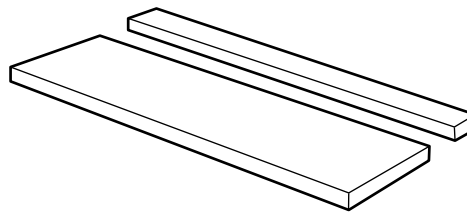
⚠ WARNING: Failure to comply with the following the warnings may result in serious personal injury.

- **NEVER** touch the free end of the workpiece (the cut-off side beyond the front edge of the blade) or a free piece that is cut off, while the power is on and/or the saw blade is rotating. Blade contact or binding may occur, resulting in a thrown workpiece
- When sawing a long workpiece or a panel, use a work support, such as a sawhorse, rollers or out-feed table at the same height as the table surface of the saw.
- **NEVER** try to pull the workpiece back with the blade turning. If you need to pull the workpiece back or lift it off the table, turn the switch off, allow the blade to stop, raise the anti-kickback pawls on each side of the riving knife if necessary, and slide the workpiece out.
- Before connecting the table saw to the power source or operating the saw, **ALWAYS** inspect the blade guard assembly and riving knife for proper alignment and clearance with saw blade. Check alignment after each change of beveling angle.
- A rip fence should **ALWAYS** be used for ripping operations to prevent loss of control and personal injury. **ALWAYS** lock the fence to the rail. **NEVER** perform a ripping operation freehand.

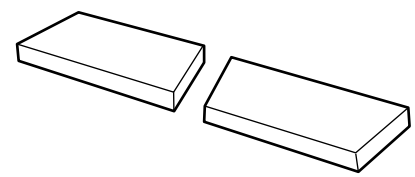
- When making bevel cuts, place the fence on the right side of the blade so that the blade is tilted away from the fence and hands. **KEEP** hands clear of the blade and use a push stick to feed the workpiece unless the workpiece is large enough to allow you to hold it more than 6 inches (152mm) from the blade.
- Before leaving the saw unattended, lock out power switch, or take other appropriate measures to prevent unauthorized use of the saw.
- **ALWAYS** make sure the blade guard and anti-kickback pawls are in place and working properly.
- **DO NOT** use blades rated less than the speed of this tool.
- To avoid kickback, make sure one side of the workpiece is securely against the rip fence during any rip cut, and hold the workpiece firmly against the miter gauge during any miter cut.
- **DO NOT** attempt compound miter cuts, with blade beveled and miter fence angled, until you are thoroughly familiar with the basic cuts and understand how to avoid kickback.
- Avoid bevel rip cuts with majority of material on left side of blade.
- **NEVER** stand in front of the workpiece.
- **ALWAYS** stand on the same side of the blade as the fence during a rip cut and the miter gauge during a cross cut.



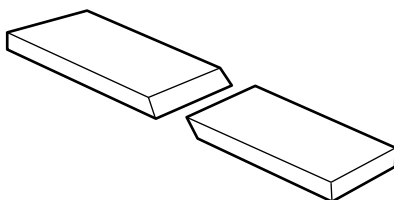
Cross Cut



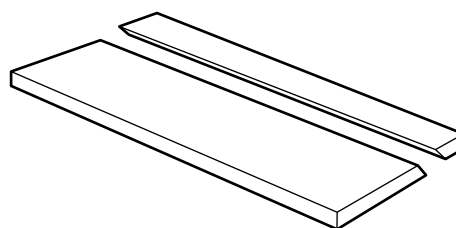
Rip Cut



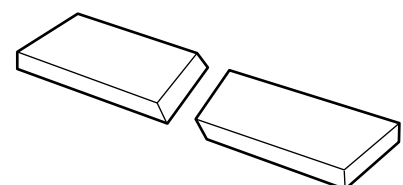
Mitered Crosscut



Beveled Cross Cut



Beveled Rip Cut



Compound Miter Cut

MAKING CUTS

RIP CUTS

Rip cutting is performed predominantly in a parallel direction with the grain of the wood.

Make sure blade is parallel to miter gauge slot prior to cutting. Instructions for adjustment on page 29.

1. Remove miter gauge.
2. Make sure bevel angle is set to 0° .
3. Set blade to correct height for workpiece.
4. Install rip fence and lock it down parallel with and at desired distance from blade.
5. **KEEP** fingers at least 6 inches from the blade at all times. When hands and fingers **CANNOT** be a safe distance from the blade, select a larger workpiece, or use a push stick and other cutting aids, as needed, to control the workpiece.
6. Make sure the workpiece is clear of the blade (at least 1 inch or 25mm away) before starting the saw.
7. Turn saw on.
8. Stand alongside the workpiece on the same side of the blade as the fence.
9. Hold the workpiece flat on the table and against the fence **A**. The workpiece **MUST** have a straight edge against the fence and **MUST NOT** be warped, twisted or bowed. See proper hand position in Figure 50.
10. Let blade build up to full speed before moving workpiece into the blade.
11. Both hands can be used while starting the cut as long as hands remain 6 inches from the blade.
12. **KEEP** the workpiece against the table and fence and slowly feed the workpiece rearward all the way past the saw blade. **DO NOT** overload the motor by forcing the workpiece into the blade.
13. Use the push stick and any other cutting aids, as needed, to hold the workpiece against the table and fence, and push the workpiece past the blade. A push stick is included with this saw, and instructions are included to make additional push sticks and other cutting aids.
14. **DO NOT** push or hold onto the free or cut-off side of the workpiece.
15. Continue pushing the workpiece until it is clear of the blade. **DO NOT** overload the motor by forcing the workpiece into the blade.
16. When cut is complete, turn saw off. Wait for blade to come to a complete stop before removing workpiece from table.

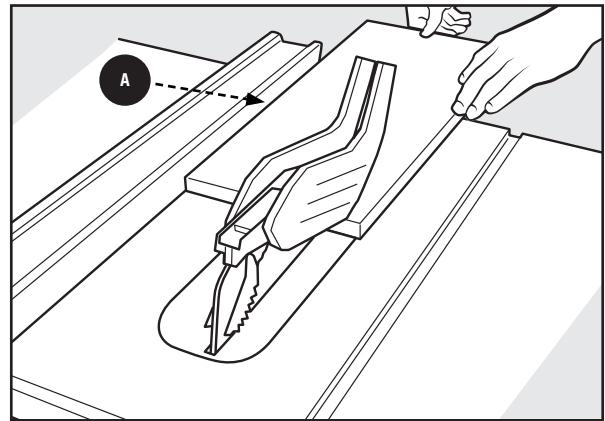


Figure 50

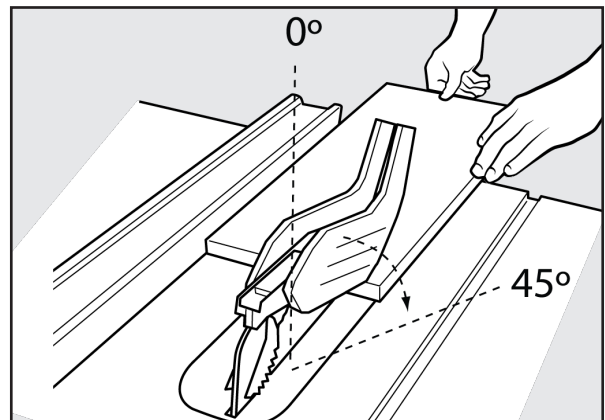


Figure 51

BEVEL RIPPING

Bevel ripping is the same as ripping except the bevel angle is set to an angle other than 0° . When making a bevel rip cut, place the fence on the right side of the blade so that the blade is tilted away from the fence and hands.

- Avoid bevel cuts with a majority of material on the left side of the blade.

MAKING CUTS

CROSSCUTTING

- Cross cutting is performed predominantly in a perpendicular direction with the grain of the wood.
- Make sure blade is parallel to miter gauge slot prior to cutting. Instructions for adjustment on page 29.

⚠ WARNING:

- **NEVER** use the fence as a guide or length stop when crosscutting. The fence can be used to support a block being used as a cut-off gauge, as discussed below.
- The cut-off piece **MUST NEVER** be confined in any through-sawing (cutting completely through the workpiece) operation to prevent pinching blade which may result in a thrown workpiece and possibly injury.
- When using a block as a cut-off gauge, the block **MUST** be at least 3/4 inch (19mm) thick. It is very important that the rear end of the block be secured in a position where the workpiece is clear of the block before it enters the blade to prevent binding of the workpiece.

You can use the miter gauge in either table slot on non-bevel cuts. To increase surface area of miter gauge face, add an auxiliary face (See Cutting Aids section on page 37 of this manual).

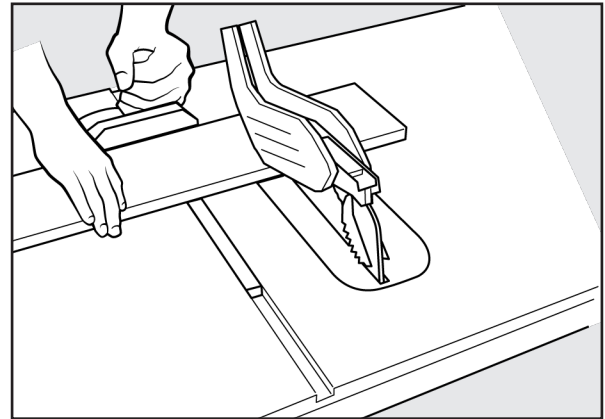


Figure 52

To make a crosscut, refer to Figure 52 and follow this process:

1. Remove rip fence.
2. Make sure bevel angle is set to 0°.
3. Set blade to correct height for workpiece.
4. Place miter gauge in either miter slot.
5. Set miter gauge to 0° and tighten miter gauge lock knob.
6. Stand alongside the workpiece on the same side of the blade as the miter gauge.
7. Hands **MUST** remain at least 6 inches from blade throughout entire cut. If workpiece is too small to **KEEP** hands at least 6 inches away from the blade, select a larger workpiece, or attach an auxiliary face to the miter gauge and attach workpiece to auxiliary face, For instructions about making auxiliary faces, see Cutting Aids section on page 37 of this manual.
8. Make sure the workpiece is clear of the blade - at least 1 inch or 25mm away - before starting the saw.
9. Turn saw on.
10. Let blade build up to full speed before moving workpiece into the blade.
11. Hand closest to blade should be placed on miter gauge lock knob and hand farthest from blade should hold workpiece firmly against the miter gauge face. **DO NOT** push or hold onto the free or cut-off side of the workpiece.
12. Slowly feed the workpiece rearward all the way past the saw blade. **DO NOT** overload the motor by forcing the workpiece into the blade.
13. When cut is complete, turn saw off. Wait for blade to come to a complete stop before removing cut off piece from table.

MAKING CUTS

BEVEL CROSSCUTTING

Bevel crosscutting is the same as crosscutting except the bevel angle **A** is set to an angle other than 90°. When making a bevel crosscut, place the miter gauge in the right miter slot so that the blade is tilted away from the gauge and hands. See Figure 53.

MITER CUTS

Miter cuts are cross cuts with the miter gauge set at an angle other than 90°. For instructions about setting miter gauge angles, see Preparing to Cut. To adjust the preset index miter stops, see Adjusting the Miter Stops on page 24 of this manual.

- Miter angles less than 45° may force the blade guard assembly into the saw blade causing damage to the blade guard assembly and personal injury. Before starting the motor, test the operation by feeding the workpiece into the blade guard assembly. If the blade guard assembly contacts the blade, place the workpiece under the blade guard assembly **but not touching the blade** - before starting the motor.
- Certain workpiece shapes, such as molding may not lift the blade guard assembly properly. With the power off, feed the workpiece slowly into the blade guard area and until the workpiece touches the blade. If the blade guard assembly contacts the blade, place the workpiece under the blade guard assembly - **but not touching the blade** - before starting the motor.

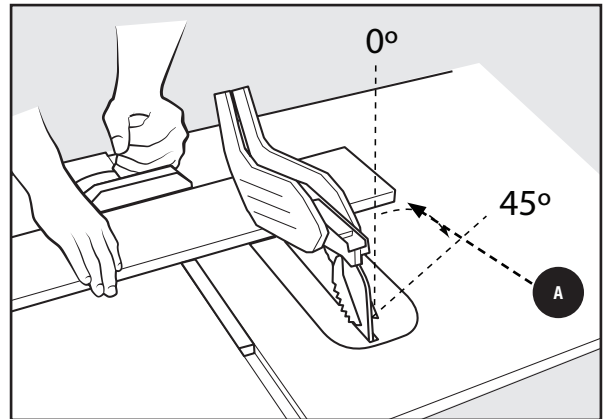


Figure 53

COMPOUND MITER CUTS

This is a combination of bevel crosscutting and mitering. See Figure 54 and follow the instructions for both bevel crosscutting and mitering. Remember to use the right miter slot for all bevel cuts.

- **DO NOT** attempt compound miter cuts, with blade beveled and miter fence angled, until you are thoroughly familiar with the basic cuts and understand how to avoid kickback.

LARGE PANEL CUTS

Place workpiece supports at the same height as the saw table behind saw to support the cut workpiece, and alongside(s) of saw, as needed. Depending on shape of panel, use rip fence or miter gauge to control workpiece. If a workpiece is too large to use either a rip fence or a miter gauge, it is too large for this saw.

⚠ WARNING: **DO NOT** allow bystanders to hold or support any portion of the workpiece.

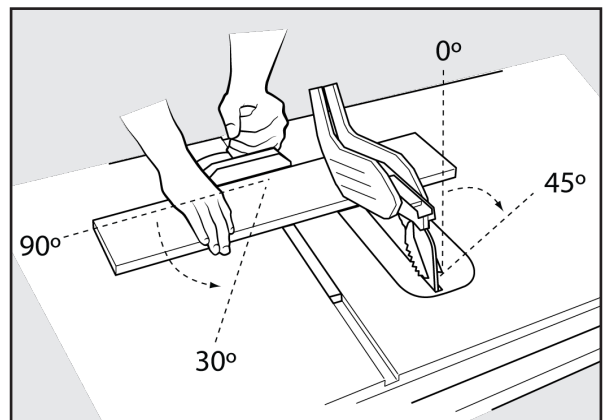


Figure 54

MAKING CUTS

NON-THROUGH CUTS

The use of a non-through cut is essential to cutting grooves and rabbets. Non-through cuts can be made using a standard blade having a diameter of 10 inches or less. Non-through cuts are the **ONLY** type of cuts that should be made without the blade guard assembly installed.

⚠ WARNING:

- When making non-through cuts, follow all applicable warnings and instructions listed below in addition to those listed above for the relevant through cut.
- When making a non-through cut, blade is covered by workpiece during most of cut. Be alert to exposed blade at start and finish of every cut.
- **NEVER** feed wood with hands when making any non-through cuts such as rabbets. **ALWAYS** use miter gauge, push blocks or push sticks, and featherboards where appropriate.
- Read the appropriate section which describes the type of cut in addition to this section on non-through. For example, if your non-through cut is a straight cross cut, read and understand the section on straight cross cuts before proceeding.
- When cut is complete re-adjust riving knife to through cut position as detailed on page 28.
- Carefully follow the instructions accompanying any specialized blades such as molding cutters for proper installation, set-up, and operation.

MAKING A NON-THROUGH CUT

Once all non-through cuts are completed, unplug saw and reinstall riving knife in raised position. Install anti-kickback pawls and blade guard.

1. Unplug saw.
2. Unlock release lever.
3. Adjust bevel angle to 0°.
4. Lock release lever.
5. Remove blade guard and anti-kickback pawls.
6. Place riving knife in "lowered" position. See "RIVING KNIFE POSITION" section on page 28.
7. Set blade to correct depth for workpiece.
8. Depending on shape and size of wood, use either rip fence or miter gauge.
9. Plug saw into power source and turn saw on.
10. Let blade build up to full speed before moving workpiece into blade.
11. **ALWAYS** use push blocks, push sticks, and/or featherboards when making non-through cuts to reduce the risk of serious injury.
12. When cut is made, turn saw off. Wait for blade to come to a complete stop before removing workpiece.
13. When cut is complete re-adjust riving knife to position as detailed on page 28.

CUTTING AIDS AND ACCESSORIES

PUSH STICK

In order to operate your table saw safely, you **MUST** use a push stick whenever the size or shape of the workpiece would otherwise cause your hands to be within 6 inches (152mm) of the saw blade or other cutter. A push stick is included with this saw.

No special wood is needed to make additional push-sticks as long as it is sturdy and long enough with no knots, checks or cracks. A length of approximately 16 inches (400mm) is recommended with a notch that fits against the edge of the workpiece to prevent slipping. It's a good idea to have several push sticks of the same minimum length, 16 inches (400mm), with different size notches for different workpiece thicknesses.

The shape can vary to suit your own needs as long as it performs its intended function of keeping your hands away from the blade. Angling the notch so the push stick can be held at a 20° to 30° from the saw's table will help you to hold down the workplace while also moving workpiece past the saw blade.

To construct a push stick, refer to the layout see Figure 55.

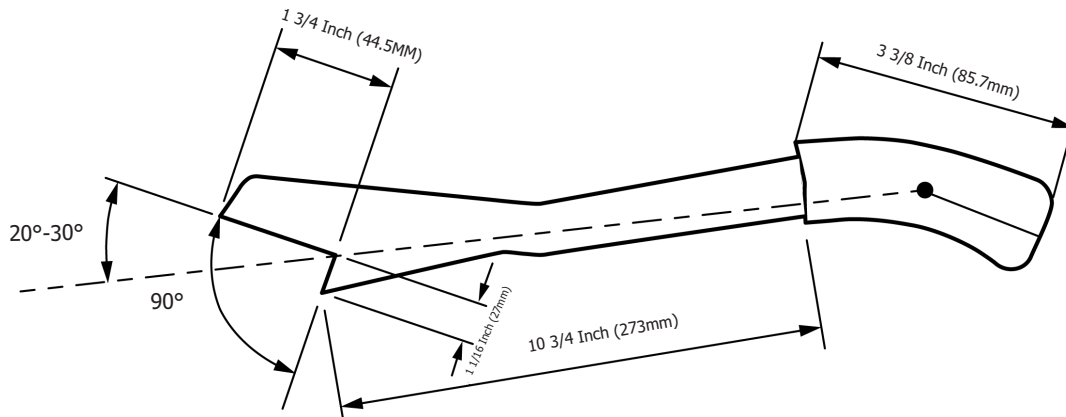


Figure 55

AUXILIARY RIP FENCE FACING

Use an auxiliary rip fence facing when needed for special cuts, such as ripping material that is thin enough to slide under the rip fence provided with your saw, or when a taller rip fence is necessary to complete your cut. To add an auxiliary wood facing to one or both sides of the rip fence, select a piece of wood with smooth surfaces. Attach the wood to the rip fence with two clamps. See Figure 56.

▲ WARNING: Make sure clamps **DO NOT** interfere with workpiece or blade guard assembly.

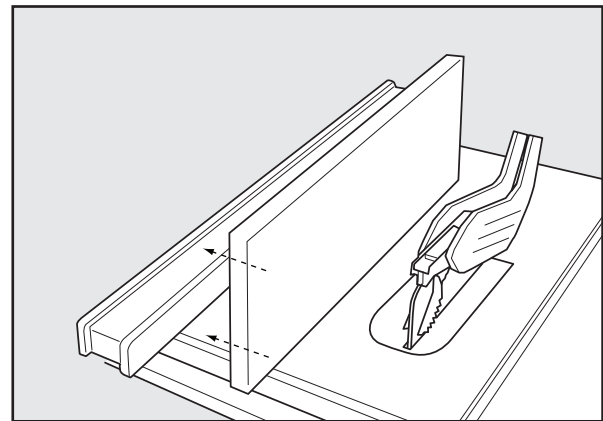


Figure 56

AUXILIARY MITER GAUGE FACING

An auxiliary miter gauge facing is used to increase the surface area of the miter gauge face.

The use of miter gauge with auxiliary facing is the same as original miter gauge (without auxiliary facing). See Page 24 for the use of miter gauge.

If desired, you can fit the miter gauge with an auxiliary wood facing that should be at least 1 inch (25mm) higher than the maximum depth of cut, and at least as wide as the miter gauge.

This auxiliary wood facing can be fastened to the front of the miter gauge by using two wood screws through the holes **A** provided in the miter gauge body and into the wood facing. See Figure 57. Make sure the screws are long enough to secure the facing, but **DO NOT** extend all the way through the wood.

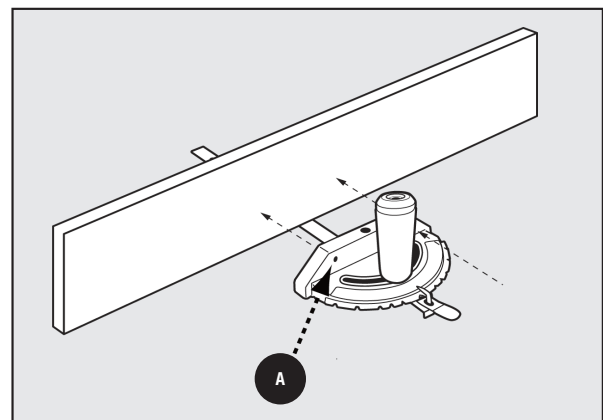


Figure 57

CUTTING AIDS AND ACCESSORIES

FLIP DOWN FENCE

Use the flip down fence when cutting thin stock that might normally slide underneath the regular rip fence or in which the blade guard would normally interfere with the fence to make the desired cut.

To utilize this flip down feature for small, narrow cuts, you **MUST** slide the flip down part of the fence underneath the blade guard, so that the blade is still covered safely by the blade guard. Please see Figure 58. Subtract 2 inches from the scale for accurate measurement.

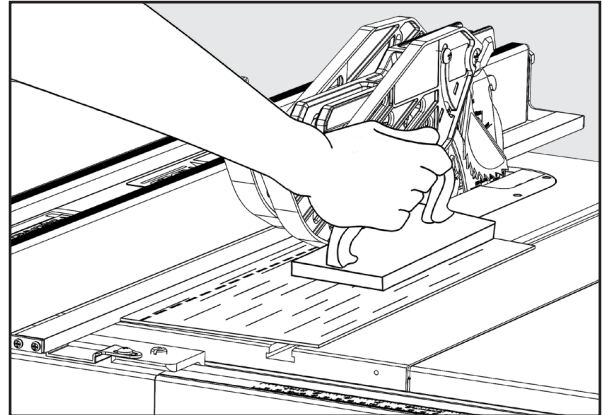


Figure 58

PUSH BLOCK

Push blocks are blocks used to securely hold down the workpiece against the table. They include some gripping surface or handle to hold the block. Any screws running through the underside of the block to fasten the handle should be recessed in order to avoid contact with the workpiece.

1. Select a piece of wood about 4 inches wide, 6 inches long and 1 to 2 inches thick (a cutoff from a 2 by 4 makes a good blank for a push block).
2. Drill a hole in the block and glue in a dowel to use as a handle (you can angle the hole to provide a more comfortable grip on the handle).
3. Glue a piece of rough or soft material such as sandpaper or rubber to the bottom of the block to grip the workpiece (old mouse pads work well). See Figure 59.

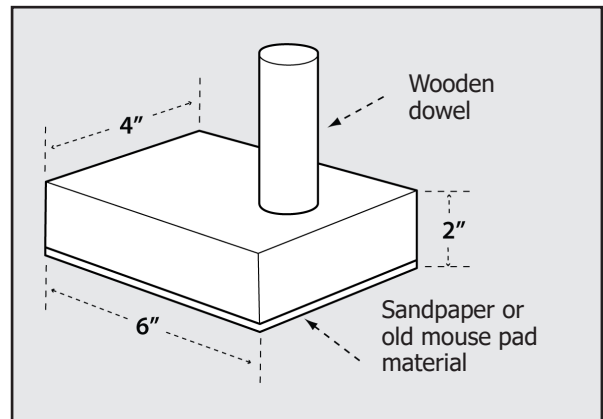


Figure 59

CUTTING AIDS AND ACCESSORIES

GROOVING AND RABBETING

Clamping a featherboard in front of the blade can increase safety during non-through cuts, like grooving and rabbeting, and through cuts. Use a featherboard to guide the workpiece against the table and fence when making non-through cuts such as rabbeting. A featherboard helps prevent kickback.

FEATHERBOARD

Featherboards are used to **KEEP** the work in contact with the fence and table as in Figure 61, and help prevent kickback. Featherboards are especially useful when ripping thin workpieces and for completing non-through cuts. The end is angled with a series of narrow slots to give a friction hold on the workpiece. It is locked in place on the table or fence with c-clamps. Clamping a featherboard in front of the blade can increase safety during non-through cuts, like grooving and rabbeting, and through cuts.

⚠ WARNING: To avoid binding between the workpiece and the blade, make sure a horizontal feather board presses **ONLY** on the uncut portion of the workpiece in front of the blade.

Dimensions for making a typical featherboard are shown in Figure 60. Make your featherboard from a straight piece of wood that is free of knots and cracks. Clamp featherboards to the fence and/or table so that the featherboard will hold the workpiece against the fence or table.

1. Select a solid piece of lumber approximately 3/4 inch thick, 2 1/2 inches wide and 12 inches long.
2. Mark the center width on one end of stock. Miter width to 20° (see miter cut section for information on miter cuts).
3. Set rip fence to allow approximately a 1/4 inch "finger" to be cut in the stock.
4. Feed stock **ONLY** to mark previously made at 6 inches.
5. Turn saw off and allow blade to completely stop rotating before removing stock.
6. Reset rip fence and cut spaced rips into workpiece to allow approximately 1/4 inch fingers and 1/8 inch spaces between fingers.

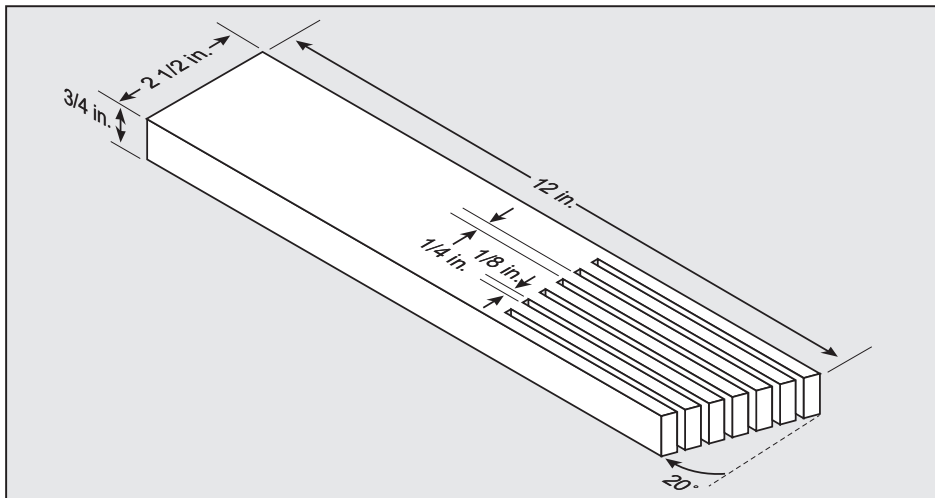


Figure 60

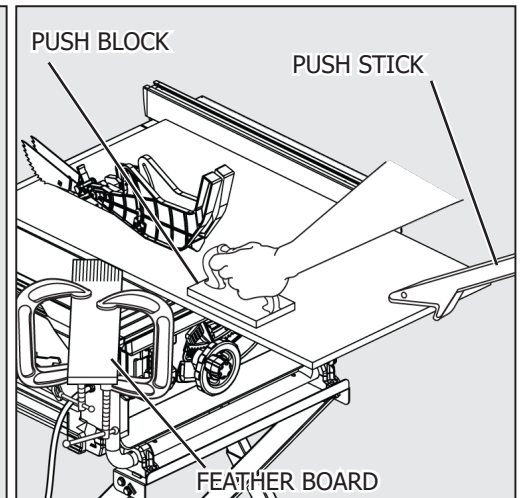


Figure 61

CUTTING AIDS AND ACCESSORIES

CUT OFF GAUGE

When crosscutting a number of pieces to the same length, you can clamp a block of wood **A**, see Figure 62, to the fence and use it as a cut-off gauge. The block **A** **MUST** be at least 3/4 inch (19mm) thick to prevent the cut off piece from binding between the blade and the fence. Once the cut-off length is determined, lock the fence and use the miter gauge to feed the workpiece into the blade.

⚠ WARNING: ALWAYS position the cut-off gauge in front of the saw blade.

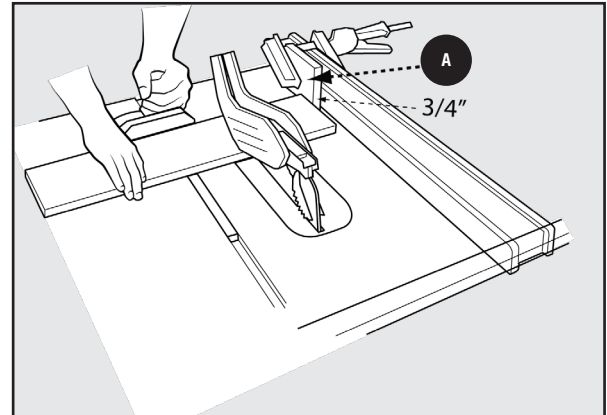


Figure 62

JIGS

Jigs may be created with a variety of special set-ups to control particular workpiece shapes for particular cuts. Guidance on how to make specialized jigs can be found in woodworking and carpentry websites and publications.

⚠ WARNING: DO NOT attempt to create or use a jig unless you are thoroughly familiar with table saw safety. DO NOT use any jig that could result in pinching a kerf or jamming the workpiece between the jig and the blade. Incorrect setups may cause kickback which could result in serious injury.

MAINTENANCE

To reduce the risk of injury, turn unit off and disconnect the tool from power source before cleaning or servicing, before installing and removing accessories, before adjusting and when making repairs. An accidental start-up can cause injury.

KEEP MACHINE CLEAN

Periodically blow out all air passages with dry compressed air. All plastic parts should be cleaned with a soft damp cloth. **NEVER** use solvents to clean plastic parts. They could possibly dissolve or otherwise damage the material.

Wear certified safety equipment for eye, hearing and respiratory protection while using compressed air.

For best performance use a shop vacuum or blower to **KEEP** saw blade area, the dust collection system, the guarding system and rails free of saw dust and other debris.

LUBRICATION & RUST PROTECTION

To clean cast iron tables of rust, you will need the following materials: a medium sized scouring pad, a can of spray lubricant and a can of degreaser. Apply the spray lubricant and polish the table surface with the scouring pad. Degrease the table, then apply the protective product as described above.

Apply hardwood flooring paste wax to the machine table occasionally or use a commercially available protective product designed for this purpose. Follow the manufacturer's instructions for use and safety.

MAINTENANCE REMINDERS

Wear certified safety equipment for eye, hearing and respiratory protection while using compressed air.

⚠ WARNING: **ALWAYS** turn saw off and unplug from power source before making adjustments or performing maintenance.

Specific areas which require regular maintenance include:

RIVING KNIFE CLAMP PLATE: **KEEP** this area free of dust and debris buildup. Blow out area regularly with compressed air.

NOTE: If the riving knife clamp can't move freely, have the saw serviced by authorized DELTA® service center personnel.

WORM GEARS: **KEEP** the worm gears free of dust and debris buildup. Blow out area regularly with compressed air. Use a lithium-based multipurpose grease as needed on these gears.

CLEAN SAWDUST BUILDUP OUT OF SAW PERIODICALLY:
NOTE: Debris can also be removed from the saw from below the throat plate, inside the dust port.

ADJUSTING BELT TENSION

1. Lower the blade height to its lowest position.
2. Loosen the torx screw **A** that is used to mount the motor housing. This should be loosened enough to feel the motor weight providing tension to the belt.
3. Tighten the torx screw **A** to secure the motor.

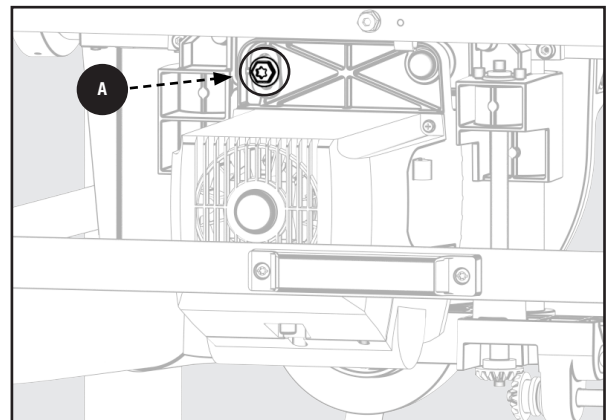



Figure 63

MAINTENANCE

DUST CHUTE CLEAN OUT

1. Remove the hex screw located in the back of the dust chute, using the supplied 3/16 inch Two-Way Allen Wrench (L Shape) . See Figure 64.
2. Rotate the dust port downward, and clear any sawdust or woodchips that may be inside the dust chute. See Figure 65.
3. When finished, rotate the dust port back to its original position and secure the hex screw back in place.

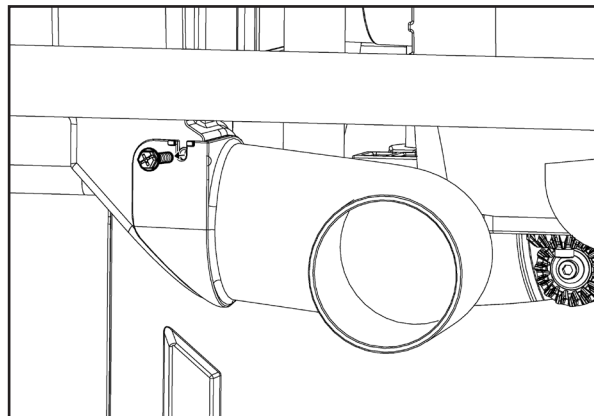


Figure 64

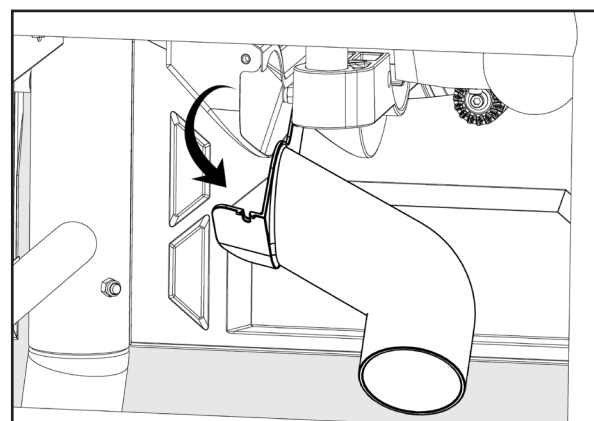


Figure 65

TROUBLESHOOTING

For assistance with your machine, visit our website at www.DeltaMachinery.com for a list of service centers or call Delta Power Equipment Customer Care at 1-800-223-7278.

FAILURE TO START

If your machine fails to start, check to make sure the prongs on the cord plug are making good contact in the receptacle, and check reset button on power switch housing. Also, check for blown fuses or open circuit breakers in your power line.

Question:	Solution:
How do you make the blade parallel to the miter slot?	Reference Page 29.
Can this unit be converted to 220 volt?	No.
What is the process for resetting the motor?	Reference "OVERLOAD PROTECTION" section on page 32.
What do I do if my unit is humming or my blade is not turning?	Contact our Customer Care team by calling 1-800-223-7278 or emailing us at customer care@dpec-na.com .
What do I do if my unit has no power?	Begin by checking the "POWER SOURCE" and "EXTENSION CORDS" sections on page 10 to ensure you are utilizing the machines power appropriately. If the problem continues, Contact our Customer Care team by calling 1-800-223-7278 or emailing us at customer care@dpec-na.com .
How do I find my local repair center?	Contact our Customer Care team by calling 1-800-223-7278 or emailing us at customer care@dpec-na.com .
How do I get Warranty work done on my product?	Keep a copy of your receipt to present to our Service Center if any issues arise with your machine.

ACCESSORIES

A complete line of accessories is available from your DELTA® Supplier, DELTA® Factory Service Centers, and DELTA® Authorized Service Centers. Please visit our Web Site www.DeltaMachinery.com for an online catalog or for the name or your nearest supplier.

▲ WARNING: Since accessories other than those offered by DELTA® have not been tested with this product, use of such accessories could be hazardous. For safest operation, only DELTA® recommended accessories should be used with this product.

PARTS, SERVICE OR WARRANTY ASSISTANCE

All DELTA® Machines and accessories are manufactured to high quality standards and are serviced by a network of an Authorized Service Centers. To obtain additional information regarding your product or to obtain parts, service, warranty assistance, or the location of the nearest service center, please call 1-800-223-7278 or email customer care@dpec-na.com.

Five Year Limited Warranty

1. WHAT IS COVERED. Delta Power Equipment Corporation ("Company") will, at its option, repair or replace this product, if purchased at retail in the United States or Canada and the product, with normal use, has proven to be defective in workmanship or material, subject to the conditions stated in this Limited Warranty. This Limited Warranty covers only materials and labor. All transportation costs are Customer's responsibility.

2. WARRANTY PERIOD. All warranty claims must be submitted within five years from the date of retail purchase. For all service parts and factory refurbished products, the warranty period is 180 days.

3. HOW TO OBTAIN SERVICE. To obtain warranty service, you must return the defective product, at your expense, to a service center authorized by Company to perform warranty service (a "Company Authorized Service Center") within the applicable warranty period, together with acceptable proof of purchase, such as your original receipt bearing the date of purchase, or product registration number. Company reserves the right to restrict warranty claim service to the country where the purchase was made and/or to charge for the cost to export service parts or provide warranty service in a different country. For this purpose, on-line purchases are deemed made in the United States. For the location of your nearest Company Authorized Service Center, call Company's Customer Care Center at (800) 223-7278.

4. EXCLUSIONS.

- Company does not offer any warranty on products purchased in used or damaged condition.
- Company does not warrant any products purchased outside the United States or Canada.
- Company will not be responsible for any damage that has resulted from normal wear, misuse, abuse or any repair or alteration made by anyone other than a Company Authorized Service Center or a designated representative of Company's Customer Care Center.

All IMPLIED WARRANTIES are expressly limited to the warranty period identified above.

Company will not be liable for INCIDENTAL OR CONSEQUENTIAL damages.

This limited warranty is Company's sole warranty and sets forth the customer's exclusive remedy with respect to defective products; all other warranties, express or implied, whether of merchantability, fitness for purpose, or otherwise, are expressly disclaimed by Company, except as expressly stated in this warranty statement.

Some states do not allow the exclusion or limitation of incidental or consequential damages, or the limitation of implied warranties, so the above limitations or exclusions may not apply to you. This warranty gives you specific legal rights and you may have other rights which vary in certain states or provinces. For further details of warranty coverage and warranty repair information, call (800) 223-7278. Thank you for purchasing our product! Please maintain a copy of your proof of purchase/receipt for any potential warranty claims.

LATIN AMERICA: This warranty does not apply to products sold in Latin America. For products sold in Latin America, call the local company or see website for warranty information.

REPLACEMENT PARTS

This power tool is provided with Type Y attachment power supply cord. If the replacement of the power supply cord is necessary, this has to be done by the manufacturer or his agent in order to avoid a safety hazard. Use only identical replacement parts. For a parts list or to order parts, visit our website at www.DeltaMachinery.com/support. You can also order parts from your nearest Authorized Warranty Service Center or by calling Technical Service Manager at 1-800-223-7278 to receive personalized support from one of our highly-trained representatives.

FREE WARNING LABEL REPLACEMENT

If your warning labels become illegible or are missing, call 1-800-223-7278 or email customer care@dpec-na.com for a free replacement.

SERVICE AND REPAIRS

All quality tools will eventually require servicing and/or replacement of parts. For information about Delta Power Equipment Corporation, its factory-owned branches, or to locate an Authorized Warranty Service Center, visit our website at www.DeltaMachinery.com/support or call Customer Care at 1-800-223-7278. All repairs made by our service centers are fully guaranteed against defective material and workmanship. We cannot guarantee repairs made or attempted by others. By calling this number you can also find answers to most frequently asked questions 24 hours/day.

You can also write to us for information at Delta Power Equipment Corporation, 2651 New Cut Road, Spartanburg, SC 29303
Attention: Technical Service Manager. Be sure to indicate all of the information shown on the nameplate of your saw (model number, type, serial number, date code, etc.).

**2651 New Cut Road
Spartanburg, SC 29303
(800) 223-7278
www.DeltaMachinery.com**

©2022 Delta Power Equipment Corporation

DPEC005496

Rev: 24

12/07/2022

