

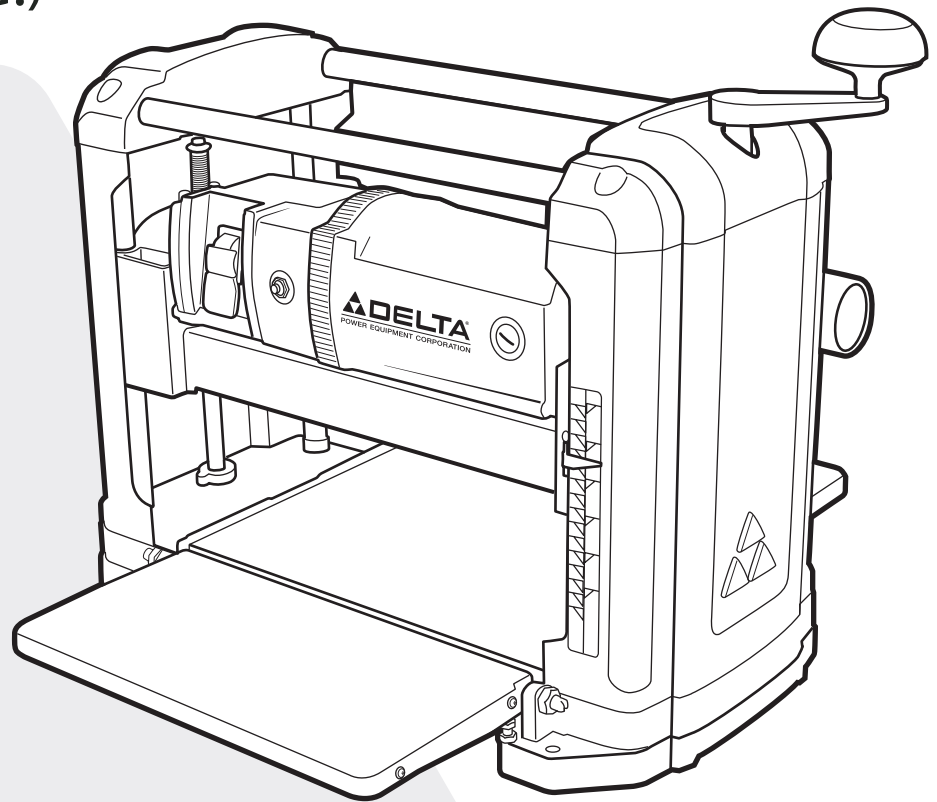
DELTA®

POWER EQUIPMENT CORPORATION

13 in. BENCH PLANER

RABOTEUSE D'ÉTABLI
DE 330 mm (13 PO)

CEPILLO DE BANCO DE
330 mm (13 PLUG.)



Français (16)

Español (30)

www.DeltaMachinery.com

Instruction Manual
Manuel d'utilisation
Manual de instrucciones

INSTRUCTIVO DE OPERACIÓN, CENTROS
DE SERVICIO Y PÓLIZA DE GARANTÍA.

▲ ADVERTENCIA: LÉASE ESTE INSTRUCTIVO
ANTES DE USAR EL PRODUCTO.

22-555



TABLE OF CONTENTS

IMPORTANT SAFETY INSTRUCTIONS.....	2	OPERATION	10
SAFETY GUIDELINES - DEFINITIONS	3	Starting and Stopping the Planer.....	10
GENERAL SAFETY RULES	3	Locking the Planer Using the Safety Key	10
ADDITIONAL SPECIFIC SAFETY RULES	4	Resetting the On-Board Circuit Breaker	10
POWER CONNECTIONS	6	Adjusting Cutting Height	10
MOTOR SPECIFICATIONS	6	Eliminating Snipe.....	11
GROUNDING INSTRUCTIONS	6	MAINTENANCE	12
EXTENSION CORDS	7	Changing the Cutter Knives	12
KEY FEATURES AND COMPONENTS	7	OTHER RECOMMENDED MAINTENANCE	12
FUNCTIONAL DESCRIPTION	7	ACCESSORIES	13
PRODUCT SPECIFICATIONS.....	8	WARRANTY	13
UNPACKING	8	REPLACEMENT PARTS.....	14
ASSEMBLY	9	SERVICE AND REPAIRS.....	14
Attach Height Adjustment Handle.....	9	FRANÇAIS.....	16
Attach Reversible Dust Port	9	ESPAÑOL	30
Connecting to Dust Collector.....	9		

IMPORTANT SAFETY INSTRUCTIONS

⚠ WARNING: READ AND UNDERSTAND ALL WARNINGS AND OPERATING INSTRUCTIONS BEFORE USING THIS EQUIPMENT. Failure to follow all instructions listed below, may result in electric shock, fire, and/or serious personal injury or property damage.

Woodworking can be dangerous if safe and proper operating procedures are not followed. As with all machinery, there are certain hazards involved with the operation of the product. Using the machine with respect and caution will considerably lessen the possibility of personal injury. However, if normal safety precautions are overlooked or ignored, personal injury to the operator may result. Safety equipment such as guards, push sticks, hold-downs, featherboards, goggles, dust masks and hearing protection can reduce your potential for injury. But even the best guard won't make up for poor judgment, carelessness or inattention. *Always use common sense* and exercise caution in the workshop. If a procedure feels dangerous, don't try it. Figure out an alternative procedure that feels safer. **REMEMBER:** Your personal safety is your responsibility. For additional information please visit our website www.DeltaMachinery.com.



⚠ WARNING: This machine was designed for certain applications only. DELTA® Power Equipment Corporation strongly recommends that this machine not be modified and/or used for any application other than that for which it was designed. If you have any questions relative to a particular application, DO NOT use the machine until you have first contacted DELTA® to determine if it can or should be performed on the product.

If you have any questions relative to its application DO NOT use the product until you have written DELTA® Power Equipment Corporation and we have advised you. Contact us online at www.DeltaMachinery.com or by mail at Technical Service Manager, DELTA® Power Equipment Corporation, 2651 New Cut Road, Spartanburg, South Carolina 29303.

Information regarding the safe and proper operation of this tool is available from the following sources:

- Power Tool Institute, 1300 Sumner Avenue, Cleveland, OH 44115-2851 or online at www.powertoolinstitute.com
- National Safety Council, 1121 Spring Lake Drive, Itasca, IL 60143-3201
- American National Standards Institute, 25 West 43rd Street, 4 floor, New York, NY 10036 www.ansi.org - ANSI 01.1 Safety Requirements for Woodworking Machines
- U.S. Department of Labor regulations www.osha.gov

Note: This equipment has been tested and found to comply with the limits for a Class A digital device, pursuant to part 15 of the FCC Rules. These limits are designed to provide reasonable protection against harmful interference when the equipment is operated in a commercial environment. This equipment generates, uses, and can radiate radio frequency energy and, if not installed and used in accordance with the instruction manual, may cause harmful interference to radio communications. Operation of this equipment in a residential area is likely to cause harmful interference in which case the user will be required to correct the interference at his own expense.

SAFETY GUIDELINES - DEFINITIONS

This manual contains information that is important for you to know and understand. This information relates to protecting YOUR SAFETY and PREVENTING EQUIPMENT PROBLEMS. To help you recognize this information, we use the symbols below. Please read the manual and pay attention to these sections.

⚠ DANGER: Indicates an imminently hazardous situation which, if not avoided, will result in death or serious injury.

⚠ WARNING: Indicates a potentially hazardous situation which, if not avoided, could result in death or serious injury.

⚠ CAUTION: Indicates a potentially hazardous situation which, if not avoided, may result in minor or moderate injury.

CAUTION Used without the safety alert symbol indicates potentially hazardous situation which, if not avoided, may result in property damage.

GENERAL SAFETY RULES

⚠ WARNING: WARNING FAILURE TO FOLLOW THESE RULES MAY RESULT IN SERIOUS PERSONAL INJURY.

- For your own safety, read and understand the instruction manual before operating the unit. Learn the unit's application and limitations as well as the specific hazards peculiar to it.
- Keep work area clean. Cluttered areas and benches invite accidents.
- Don't use in dangerous environment. Don't use this unit in damp or wet locations, or expose it to rain. Keep work area well-lighted.
- Keep children and visitors away. All children and visitors should be kept a safe distance from work area.
- Disconnect unit before servicing.
- Check damaged parts. Before further use of the unit, properly repair or replace any part that is damaged.

⚠ WARNING: FAILURE TO FOLLOW THESE RULES MAY RESULT IN SERIOUS INJURY.

1. Read and understand the warnings posted on the machine and in this manual. Failure to comply with all of these warnings may cause serious injury.
2. Replace the warning labels if they become obscured or removed.
3. This machine is designed and intended for use by properly trained and experienced personnel only. If you are not familiar with the proper and safe operation of a planer, do not use until proper training and knowledge have been obtained.
4. Do not use this machine for other than its intended use. If used for other purposes, DELTA® Power Equipment Corporation disclaims any real or implied warranty and holds itself harmless from any injury that may result from that use.
5. Always wear approved safety glasses/face shields while using this tool.
6. Before operating this tool, remove tie, rings, watches and other jewelry, and roll sleeves up past the elbows. Remove all loose clothing and confine long hair. Non-slip footwear or anti-skid floor strips are recommended. Do not wear gloves.
7. Wear ear protectors (plugs or muffs) during extended periods of operation.
8. Some dust created by power sanding, sawing, grinding, drilling and other construction activities contain chemicals known to cause cancer, birth defects or other reproductive harm. Some examples of these chemicals are:
 - Lead from lead based paint.
 - Crystalline silica from bricks, cement and other masonry products.
 - Arsenic and chromium from chemically treated lumber.
9. Do not operate this machine while tired or under the influence of drugs, alcohol or any medication.
10. Make certain the switch is in the OFF position before connecting the machine to the power source.
11. Make certain the machine is properly grounded.
12. Make all machine adjustments or maintenance with the machine unplugged from the power source.
13. Form a habit of checking to see that all extra equipment such as adjusting keys, wrenches, scrap,

Your risk of exposure varies, depending on how often you do this type of work. To reduce your exposure to these chemicals, work in a well-ventilated area and work with approved safety equipment, such as face or dust masks that are specifically designed to filter out microscopic particles.

continued on page 4

stock, and cleaning rags are removed away from the machine before turning on.

14. Keep safety guards in place at all times when the machine is in use. If removed for maintenance purposes, use extreme caution and replace the guards immediately when maintenance is complete.
15. Make sure the tool is firmly secured to a stable work surface before use.
16. Check damaged parts. Before further use of the machine, a guard or other part that is damaged should be carefully checked to determine that it will operate properly and perform its intended function. Check for alignment of moving parts, binding of moving parts, breakage of parts, mounting and any other conditions that may affect its operation. A guard or other part that is damaged should be properly repaired or replaced.
17. Provide for adequate space surrounding work area and non-glare, overhead lighting.
18. Keep the floor around the machine clean and free of scrap material, oil and grease.
19. Keep visitors a safe distance from the work area. Keep children away.
20. Make your workshop child proof with padlocks, master switches or by removing starter keys.
21. Give your work undivided attention. Looking around, carrying on a conversation and "horse-play" are careless acts that can result in serious injury.
22. Maintain a balanced stance at all times so that you do not fall or lean against the tool or its moving parts. Do not overreach or use excessive force to perform any machine operation.
23. Use the right tool at the correct speed and feed rate. Do not force a tool or attachment to do a job for which it was not designed. The right tool will do the

job better and safer.

24. Use recommended accessories; improper accessories may be hazardous.
25. Maintain machinery with care. Follow instructions for lubricating and changing accessories.
26. Turn off the machine before cleaning. Use a brush or compressed air to remove dust or debris — do not use your hands.
27. Do not stand on the machine. Serious injury could occur if the machine tips over.
28. Never leave the machine running unattended. Turn the power off and do not leave the machine until it comes to a complete stop.
29. At all times, hold the stock firmly.
30. Do not use this tool for other than its intended use. If used for other purposes, DELTA® Power Equipment Corporation disclaims any real or implied warranty and holds itself harmless for any injury or damage which may result from that use.

Familiarize yourself with the following safety notices used in this manual:

▲ CAUTION:

This means that if precautions are not heeded, it may result in minor injury and/or possible machine damage.

▲ WARNING:

This means that if precautions are not heeded, it may result in serious injury or possibly even death.

ADDITIONAL SPECIFIC SAFETY RULES

▲ WARNING: Failure to follow these rules may result in serious personal injury.

1. Do not operate this machine until it is completely assembled and installed according to the instructions. A machine incorrectly assembled can cause serious injury
2. Obtain advice from your supervisor, instructor, or another qualified person if you are not thoroughly familiar with the operation of this machine. Knowledge is safety.
3. Follow all wiring codes and recommended electrical connections to prevent shock or electrocution.
4. Keep knives sharp and free from rust and pitch. Dull or rusted knives work harder and can cause kickback.
5. Never turn the machine "on" before clearing the table of all objects (tools, scraps of wood, etc.).
6. Flying debris can cause serious injury.
7. Never turn the machine "on" with the workpiece contacting the cutter head. Kickback can occur.
8. Secure the machine to a supporting surface to prevent the machine from sliding, walking or tipping over.
9. Properly secure the knives in the cutterhead before turning the power "on". Loose blades may be thrown out at high speeds causing serious injury.
10. Avoid awkward operations and hand positions. A sudden slip could cause a hand to move into the knives.
11. Keep arms, hands, and fingers away from the cutter head, the chip exhaust opening, and the feed rollers to prevent severe cuts.

ADDITIONAL SPECIFIC SAFETY RULES

12. Never reach into the cutterhead area while the machine is running. Your hands can be drawn into the knives.
13. Do not stand in line of the workpiece. Kickback can cause injury.
14. Allow the cutterhead to reach full speed before feeding a workpiece.
15. When planing bowed stock, place the concave (cup down) side of the stock on the table and cut with the grain to prevent kickback.
16. Do not feed a workpiece that is warped, contains knots, or is embedded with foreign objects (nails, staples, etc.). Kickback can occur.
17. Do not feed a short, thin, or narrow workpiece into the machine. Your hands can be drawn into the knives and/or the workpiece can be thrown at high speeds. See the "operation" section of this instruction manual for details.
18. Do not feed a workpiece into the outfeed end of the machine. The workpiece will be thrown out of the opposite side at high speeds.
19. Remove shavings only with the power "off" to prevent serious injury.
20. Properly support long or wide workpieces. Loss of control of the workpiece can cause serious injury.
21. Never perform layout, assembly or set-up work on the table/work area when the machine is running. Serious injury will result.
22. Turn the machine "off", disconnect it from the power source, and clean the table/work area before leaving the machine. Lock the switch in the "off" position to prevent unauthorized use. Someone else might accidentally start the machine and cause injury to themselves or others..
23. Additional information regarding the safe and proper operation of power tools (i.E. A safety video) is available from the power tool institute, 1300 sumner avenue, cleveland, oh 44115-2851 (www.Powertoolinstitute.Com). Information is also available from the national safety council, 1121 spring lake drive, itasca, il 60143-3201. Please refer to the american national standards institute ansi 01.1 Safety requirements for woodworking machines and the u.S. Department of labor osha 1910.213 Regulations.

SAVE THESE INSTRUCTIONS.

Refer to them often and use them to instruct others.

POWER CONNECTIONS

A separate electrical circuit should be used for your machines. This circuit should not be less than #14 wire and should be protected with a 20 Amp time lag fuse. If an extension cord is used, use only 3-wire extension cords which have 3-prong grounding type plugs and matching receptacle which will accept the machine's plug. Before connecting the machine to the power line, make sure the switch (s) is in the "OFF" position and be sure that the electric current is of the same characteristics as indicated on the machine. All line connections should make good contact. Running on low voltage will damage the machine.

⚠ DANGER: DO NOT EXPOSE THE MACHINE TO RAIN OR OPERATE THE MACHINE IN DAMP LOCATIONS.

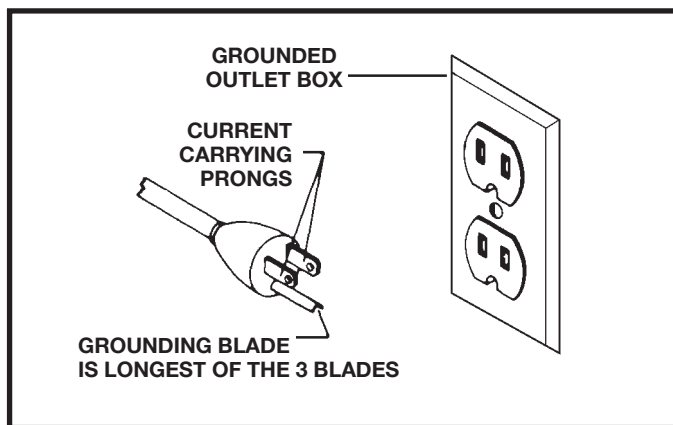


FIG. A

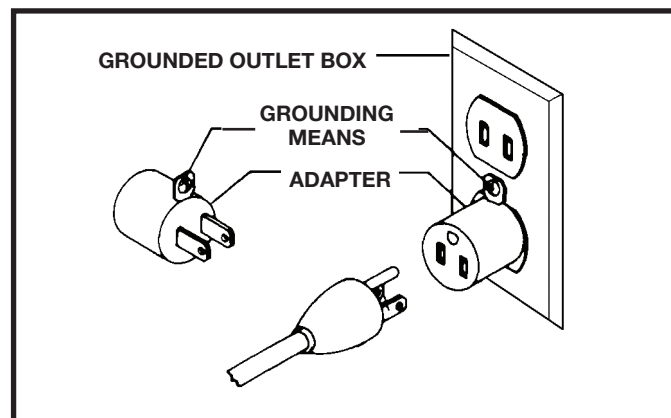


FIG. B

MOTOR SPECIFICATIONS

Your machine is wired for 120 Volts, 60 Hz alternating current. Before connecting the machine to the power source, make sure the switch is in the "OFF" position.

GROUNDING INSTRUCTIONS

⚠ DANGER: THIS MACHINE MUST BE GROUNDED WHILE IN USE TO PROTECT THE OPERATOR FROM ELECTRIC SHOCK.

1. All grounded, cord-connected machines:

In the event of a malfunction or breakdown, grounding provides a path of least resistance for electric current to reduce the risk of electric shock. This machine is equipped with an electric cord having an equipment-grounding conductor and a grounding plug. The plug must be plugged into a matching outlet that is properly installed and grounded in accordance with all local codes and ordinances.

Do not modify the plug provided - if it will not fit the outlet, have the proper outlet installed by a qualified electrician.

Improper connection of the equipment-grounding conductor can result in risk of electric shock. The conductor with insulation having an outer surface that is green with or without yellow stripes is the equipment-grounding conductor. If repair or replacement of the electric cord or plug is necessary, do not connect the equipment-grounding conductor to a live terminal.

Check with a qualified electrician or service personnel if the grounding instructions are not completely understood, or if in doubt as to whether the machine is properly grounded.

Use only 3-wire extension cords that have 3-prong grounding type plugs and matching 3-conductor receptacles that accept the machine's plug, as shown in Fig. A.

Repair or replace damaged or worn cord immediately.

⚠ DANGER: IN ALL CASES, MAKE CERTAIN THE RECEPTACLE IN QUESTION IS PROPERLY GROUNDED. IF YOU ARE NOT SURE, HAVE A QUALIFIED ELECTRICIAN CHECK THE RECEPTACLE.

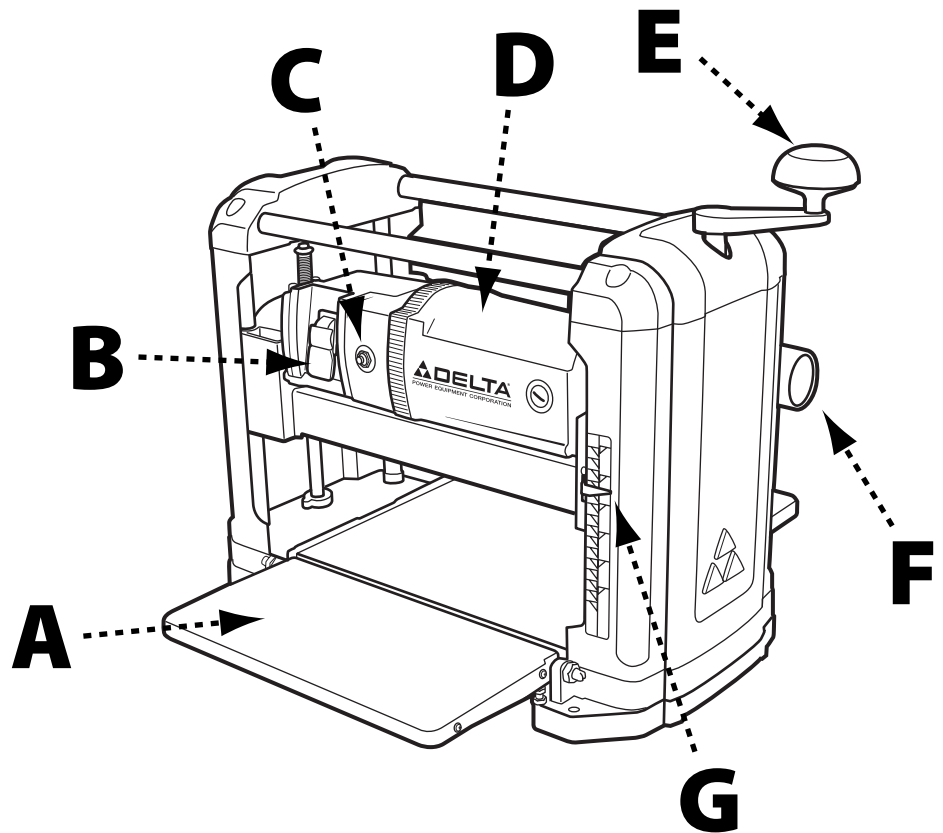
EXTENSION CORDS

⚠ CAUTION: Use proper extension cords. Make sure your extension cord is in good condition and is a 3-wire extension cord which has a 3-prong grounding type plug and matching receptacle which will accept the machine's plug. When using an extension cord, be sure to use one heavy enough to carry the current of the machine. An undersized cord will cause a drop in line voltage, resulting in loss of power and overheating. The table shows the correct gauge to use depending on the cord length. If in doubt, use the next heavier gauge. The smaller the gauge number, the heavier the cord.

MINIMUM GAUGE EXTENSION CORD			
RECOMMENDED SIZES FOR USE WITH STATIONARY ELECTRIC MACHINES			
Ampere Rating	Volts	Total Length of Cord in Feet	Gauge of Extension Cord
0-6	120	up to 25	18 AWG
0-6	120	25-50	16 AWG
0-6	120	50-100	16 AWG
0-6	120	100-150	14 AWG
6-10	120	up to 25	18 AWG
6-10	120	25-50	16 AWG
6-10	120	50-100	14 AWG
6-10	120	100-150	12 AWG
10-12	120	up to 25	16 AWG
10-12	120	25-50	16 AWG
10-12	120	50-100	14 AWG
10-12	120	100-150	12 AWG
12-16	120	up to 25	14 AWG
12-16	120	25-50	12 AWG
12-16	120	GREATER THAN 50 FEET NOT RECOMMENDED	

KEY FEATURES AND COMPONENTS

- A. Feed Table
- B. ON/OFF Switch
- C. Circuit Breaker Reset
- D. 15 Amp, 120V Motor
- E. Height Adjustment Handle
- F. 2" Reversible Dust Port
- G. Height Indicator



FUNCTIONAL DESCRIPTION

The DELTA® 22-555 is a 13" (317mm) Portable Planer. This planer can handle workpieces up to 13" (317mm) wide and 6" (152mm) thick. The maximum depth of cut is 3/32" (2.4 mm). The 22-555 features a powerful 15 Amp, 120 Volt motor, a two-knife cutter head with double-edged reversible knives, knife-installation tool and wrench.

PRODUCT SPECIFICATIONS

Cuts Per Minute	18,800
Feed Rate	28ft./min.
Max. Cut Depth (per pass)	3/32"
Max. Cutting Width	12- □ "
Max. Cutting Height	6"
Cutterhead Speed	9,400 RPM
Tool Dimensions (LxWxH)	21-5/8" x 23-5/8" x 20-1/8"
Motor	15 Amp, 120V
Net Weight	58 lbs
Knife Type	Double-edge reversible
Number of Knives	2
Knife Size (L x W x T)	320mm x12mm x1.5mm

UNPACKING

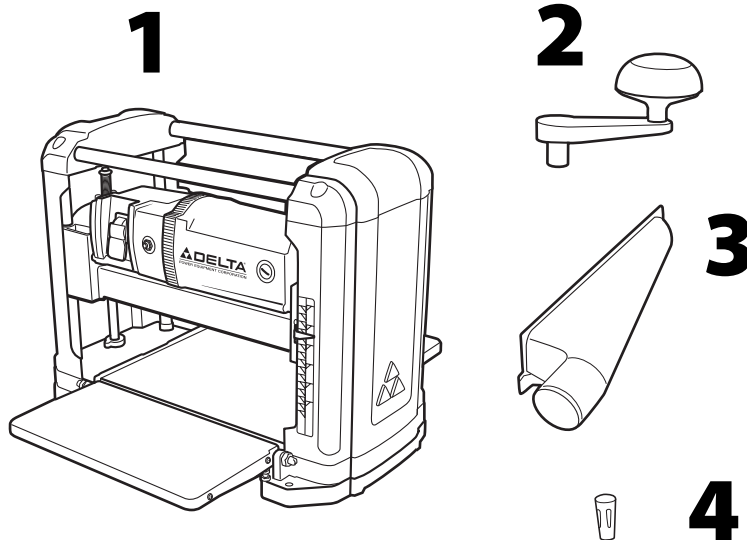
Compare all parts to the list below and check that all parts are present and in good condition. Report any missing or damaged parts to your distributor or dealer. Prior to tool assembly and use, read this manual thoroughly to familiarize yourself with proper assembly, maintenance and safety procedures.

DESCRIPTION (QUANTITY)

1. DELTA® Model #22-555 Planer (1)
2. Height Adjustment Handle (1)
3. Reversible 2" Dust Port (1)
4. Knife Transfer Tool (2)
5. T-wrench (not shown)

HARDWARE PACKAGE

- 4mm T-handle Hex Wrench
- M5x16mm Hex Head Screw (1)
- M5 Flat Washer
- M6x15mm Lock Knob (2)



Remove any protective materials and coatings from all of the parts and the tool. The protective coatings can be removed by spraying WD-40 on them and wiping it off with a soft cloth. This may need redone several times before all of the protective coatings are removed completely.

⚠ WARNING: If any parts are missing, do not attempt to plug in the power cord and turn "ON" the machine. The machine should only be turned "ON" after all the parts have been obtained and installed correctly.

ASSEMBLY

ATTACH HEIGHT ADJUSTMENT HANDLE

Refer to Figure 1

1. Remove the rubber cap (A) from the top of the height adjustment crank shaft (B).
2. Use an M5 x 16mm hex head screw, M5 flat washer, and supplied t-handle hex wrench to secure the height adjustment handle to shaft (C).
3. Replace the rubber cap.

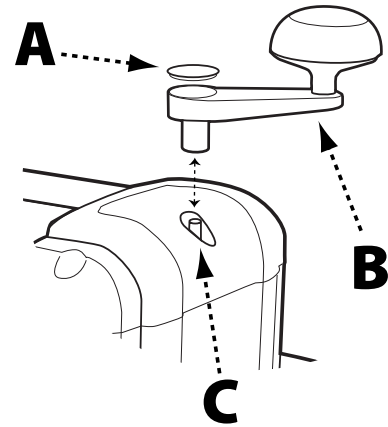


FIGURE 1

ATTACH REVERSIBLE DUST PORT

Refer to Figure 2

The 22-555 planer features a reversible dust port that can be attached for left-sided or right-sided dust collection. To attach the dust port:

1. Secure the dust port (A) to the tool housing on both ends use the two M6 x 15mm lock knobs (B).

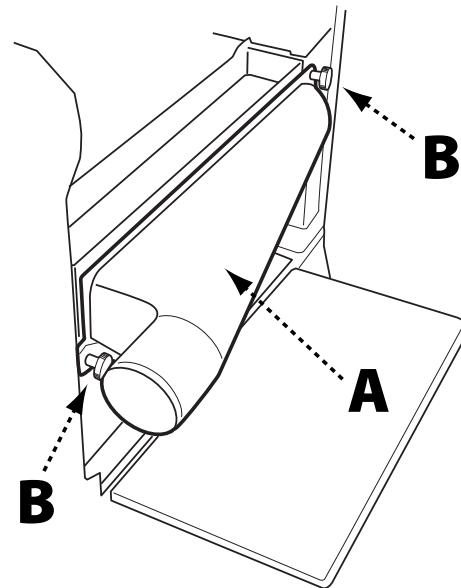


FIGURE 2

CONNECTING TO DUST COLLECTOR

A planer creates a large amount of fine particles while in use. It is strongly recommended that you connect the planer to a shop vacuum or dust collector. Your DELTA® Bench Planer is equipped with a 2" dust port that must be connected to a vacuum hose to ensure safe operation. Using a 2" to 4" adapter, sold separately, will enable you to connect your planer to most dust collectors that use a 4" hose.

⚠ WARNING: Do not attempt to operate this tool without first connecting it to an adequate dust collection system.

⚠ WARNING: Always turn on the dust collector before starting the planer and always stop the planer before turning off the dust collector.

OPERATION

STARTING AND STOPPING THE PLANER

⚠ WARNING: Make sure that the switch is in the "OFF" position before plugging cord into outlet. Do not touch the plug's metal prongs when unplugging or plugging in the cord.

⚠ WARNING: In the event of a power outage (such as a breaker or fuse trip), always move the switch to the "OFF" position until the main power is restored.

The ON/OFF switch (A), indicated in Figure 3, is located on the front of the cabinet. To turn the machine "ON," move the switch to the up position. To turn the machine "OFF," move the switch to the down position.

LOCKING THE PLANER USING THE SAFETY KEY

1. This machine uses a safety key (B), shown in Figure 3, that enables you to lock the tool in the "OFF" position when not in use.

IMPORTANT: When the machine is not in use, the switch should be locked in the "OFF" position to prevent unauthorized use.

2. To lock the machine, remove the safety key by pulling it straight out. With the safety key removed, the switch will not operate.

3. Should the safety key be removed while the tool is running, the machine can be turned "OFF," but cannot be restarted unless the safety key is re-inserted.

RESETTING THE ON-BOARD CIRCUIT BREAKER

As an additional safety feature, the DELTA® 22-555 has an on-board circuit breaker (C), shown in Figure 3. Should the motor become overloaded or should a power surge occur while the machine is operating, the circuit breaker will trip, cutting power to the machine.

In the event the breaker trips, do the following:

1. Turn the machine off and unplug the power cord.
2. Raise the cutterhead and remove the workpiece from the machine.
3. Wait 2 to 3 minutes or until the motor housing is cool to the touch, then depress the on-board circuit breaker reset.
4. Plug the power cord in and restart the machine using the ON/OFF switch.
5. If the machine fails to start, allow the motor to cool further and attempt to reset the breaker again.

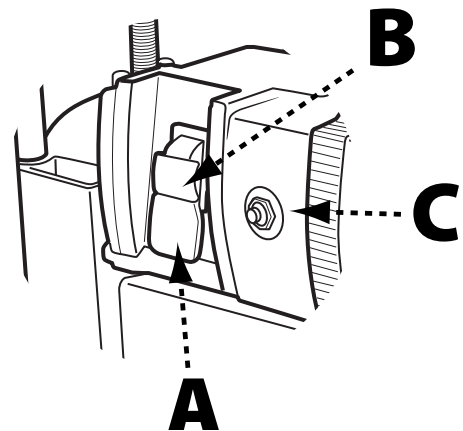


FIGURE 3

ADJUSTING CUTTING HEIGHT

Refer to Figure 4

Your DELTA® 22-555 Bench Planer can accept stock up to 6" in height and has a maximum cutting depth of 3/32" per pass. To adjust the height of the cutterhead:

1. Rotate the Height Adjustment Handle until the Height Indicator (A) is pointing to the desired height. Turning the handle clockwise raises the cutterhead while turning it counterclockwise lowers it. One complete revolution of the Height Adjustment Handle moves the cutterhead 1/16".

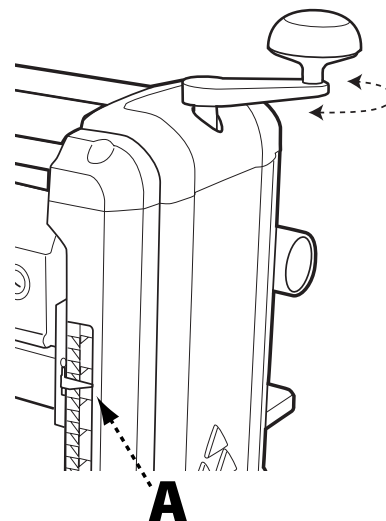


FIGURE 4

ELIMINATING SNIPE

Snipe is a short depression created at the beginning and/or end of a board after it passes through the planer. Figure 5 shows how snipe occurs when a board enters the cutting area of the planer with the leading end elevated. The same effect can be created when the trailing end of the board becomes elevated as the workpiece exits the planer.

There are a few ways you can control snipe.

The most common cause of snipe is failure to fully support the workpiece as the leading end enters the planer and as the trailing end exits the planer. This can be addressed by securely holding the workpiece to the surface of the infeed table and not allowing the leading end to elevate as it contacts the cutterhead.

If, after trying the above, snipe is still present, try lessening the depth of cut by slightly raising the height of the cutterhead (see previous section, "Height Adjustment").

If the workpiece continues to exhibit snipe, you may need to adjust the height of the infeed and or outfeed table. To do this, see Figure 6, then:

1. Fold the infeed and outfeed tables up in order to locate the two infeed (A) and two outfeed (B) stop screws.
2. Using a 10mm open wrench, loosen the retaining nuts.
3. Adjust the stop screws, one set at a time, making sure that they are at the same height. To check the screw height, lower the table and confirm that both screw heads are flush against the bottom of the table.
4. Re-test for snipe.

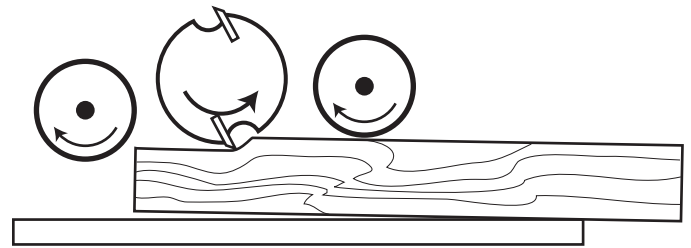


FIGURE 5

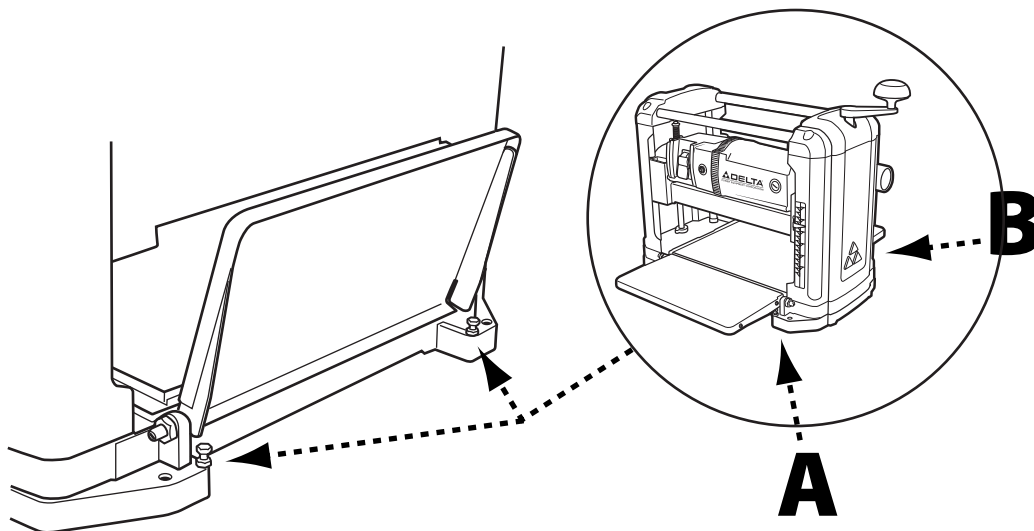


FIGURE 6

MAINTENANCE

CHANGING OR REVERSING KNIVES

⚠ WARNING: Disconnect the machine from the power source before making any adjustments!

⚠ WARNING: Planer knives are dangerously sharp. Use extreme caution when inspecting, removing, sharpening, or replacing knives into the cutter head. Failure to comply may cause serious injury.

1. Remove the dust chute by unscrewing the two lock knobs shown in Figure 2.
2. Remove the two lock knobs securing the cutterhead cover to the main casting and remove the cover. The cutterhead and the knives will now be exposed.
3. Lock the cutterhead in place. To do this, refer to Figure 7 and ensure the red spring-loaded lock tab (A) is in the forward position. Then carefully and slowly rotate the cutterhead until the tab locks in place and the cutterhead does not move.
4. Using the T-handle hex wrench supplied, loosen the six screws (B) securing each knife hold down bar and the knife to the cutterhead.
5. Use the magnetic end of the knife removal tool (C) to carefully lift off the hold down bar and then the knife.

⚠ CAUTION: Blades are sharp! Use great care when

hands are around blade area!

6. Carefully install the new knife or rotate the existing knife, ensuring the pins on the cutterhead align with the elongated holes in the knife.
7. Replace the hold down bar, making sure that the two pins on the cutterhead are aligned with the two small holes in the hold down bar.
8. Replace and retighten the six screws.
9. Unlock the cutterhead by moving the red spring-loaded lock tab forward and carefully rotating the cutterhead until the second knife is exposed and the cutterhead locks into place.
10. Repeat Steps 4 – 8 to replace the second knife.
11. Replace the cutterhead cover. Ensure the notches in the cover align with the threaded holes and the cover is fully seated in the recess.
12. Replace the dust chute and re-secure with the two lock knobs.

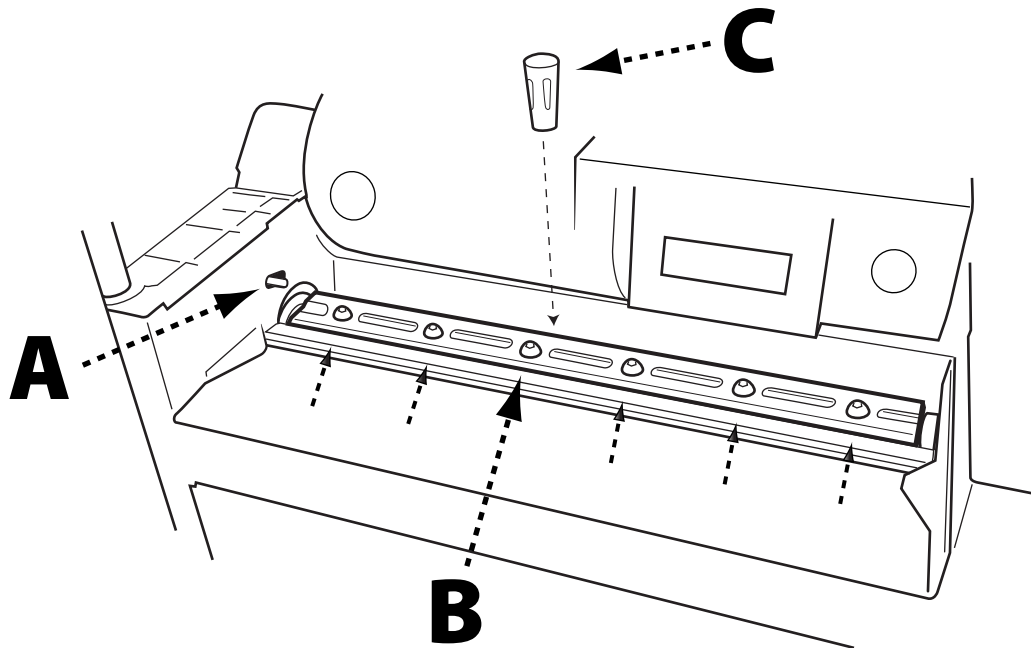


FIGURE 7

OTHER RECOMMENDED MAINTENANCE

1. Periodically blow out all air passages with dry compressed air. All plastic parts should be cleaned with a soft damp cloth. NEVER use solvents to clean plastic parts. They could possibly dissolve or otherwise damage the material.
2. Periodically check tightness on all other hardware and listen for any unusual vibrations as you work as these may be a sign of loose hardware.

ACCESSORIES

A complete line of accessories is available from your DELTA® Supplier, DELTA® Factory Service Centers, and DELTA® Factory Service Centers, and DELTA® Authorized Service Centers. Please visit our Web Site www.DeltaMachinery.com for an online catalog or for the name of your nearest supplier.

▲ WARNING: Since accessories other than those offered by DELTA® have not been tested with this product, use of such accessories could be hazardous. For safest operation, only DELTA® recommended accessories should be used with this product.

WARRANTY

To register your tool for warranty service visit our website at www.DeltaMachinery.com.

FIVE YEAR LIMITED WARRANTY

Delta® Power Equipment Corporation

1. WHAT IS COVERED. Delta Power Equipment Corporation ("Company") will repair or replace, at its option, any new or factory refurbished DELTA® machine or service part which is purchased at retail in the United States or Canada and which in normal use has proven to be defective in workmanship or material, subject to the conditions stated in this Limited Warranty. This Limited Warranty covers only materials and labor. All transportation costs are Customer's responsibility.

2. WARRANTY PERIOD. All warranty claims must be submitted within five years from the date of retail purchase. For all service parts and factory refurbished DELTA® machines, the warranty period is 180 days.

3. HOW TO OBTAIN SERVICE. To obtain warranty service, you must return the defective product, at your expense, to a service center authorized by Company to perform warranty service (a "DELTA® Authorized Service Center") within the applicable warranty period, together with acceptable proof of purchase, such as your original receipt bearing the date of purchase, or product registration number. Company reserves the right to restrict warranty claim service to the country where the purchase was made and/or to charge for the cost to export service parts or provide warranty service in a different country. On-line purchases are deemed made in the United States. For the location of your nearest DELTA® Authorized Service Center, call Company's Customer Care Center at (800) 223-7278.

4. EXCLUSIONS.

- Company does not offer any warranty on products purchased in used or damaged condition.
- Company does not warranty any products purchased outside the United States or Canada
- Company will not be responsible for any damage that has resulted from normal wear, misuse, abuse or any repair or alteration made by anyone other than a DELTA® Authorized Service Center or a designated representative of Company's Customer Care Center.
- All IMPLIED WARRANTIES are expressly limited to the warranty period identified above.
- Under no circumstances will Company be liable for INCIDENTAL OR CONSEQUENTIAL damages.
- This limited warranty is Company's sole warranty and sets forth the customer's exclusive remedy with respect to defective products; all other warranties, express or implied, whether of merchantability, fitness for purpose, or otherwise, are expressly disclaimed by Company, except as stated above.

Some states do not allow the exclusion or limitation of incidental or consequential damages, or the limitation of implied warranties, so the above limitations or exclusions may not apply to you. This warranty gives you specific legal rights and you may have other rights which vary in certain states or provinces. For further details of warranty coverage and warranty repair information, call (800) 223-7278. To register your products online, we encourage you to visit our website and register for a FREE DELTA Member Account at <http://www.deltamachinery.com/register>.

LATIN AMERICA: This warranty does not apply to products sold in Latin America. For products sold in Latin America, see country specific warranty information contained in the packaging, call the local company or see website for warranty information.



PARTS, SERVICE OR WARRANTY ASSISTANCE

All DELTA® machines and accessories are manufactured to high quality standards and are serviced by a network of DELTA® Factory Service Centers and DELTA® Authorized Service Centers. To obtain additional information regarding your DELTA® quality product or to obtain parts, service, warranty assistance, or the location of the nearest service center, please call 1-800-223-7278.

REPLACEMENT PARTS

Use only identical replacement parts. For a parts list or to order parts, visit our website at www.DeltaMachinery.com. You can also order parts from your nearest factory-owned branch, Authorized Warranty Service Center or by calling Technical Service Manager at 1-800-223-7278 to receive personalized support from one of our highly-trained representatives.

FREE WARNING LABEL REPLACEMENT

If your warning labels become illegible or are missing, call 1-800-223-7278 for a free replacement.

WARNING

1. FOR YOUR OWN SAFETY READ AND UNDERSTAND INSTRUCTION MANUAL BEFORE OPERATING PLANER.
2. Always wear eye protection.
3. Keep hands away during operation.
4. Allow automatic feed to function properly.
5. Cutterhead must be at a complete stop before freeing workpiece or making any adjustments.
6. Do not cut deeper than 3/32 in. or plane material shorter than 15 in. in length.
7. Always keep knife and drive guards in place and in proper working condition.
8. Do not expose to rain or use in damp locations.

DPEC002261

SERVICE AND REPAIRS

All quality tools will eventually require servicing and/or replacement of parts. For information about DELTA® Power Equipment Corporation, its factory-owned branches, or to locate an Authorized Warranty Service Center, visit our website at www.DeltaMachinery.com or call our Customer Care Center at 1-800-223-7278. All repairs made by our service centers are fully guaranteed against defective material and workmanship. We cannot guarantee repairs made or attempted by others. By calling this number you can also find answers to most frequently asked questions.

You can also write to us for information at DELTA® Power Equipment Corporation, 2651 New Cut Road, Spartanburg, SC 29303 - Attention: Technical Service Manager. Be sure to include all of the information shown on the nameplate of your tool (model number, type, serial number, date code, etc.)

CONSIGNES DE SÉCURITÉ IMPORTANTES

⚠ AVERTISSEMENT : ASSUREZ-VOUS D'AVOIR BIEN LU ET COMPRIS TOUTES LES MISES EN GARDE ET LES CONSIGNES D'UTILISATION AVANT D'UTILISER CET ÉQUIPEMENT.

Le fait de ne pas respecter toutes les instructions ci-dessous pourrait causer une électrocution, des incendies, et/ou des blessures personnelles ou des dommages matériels graves.

La meuleuse peut être dangereuse si des procédures d'utilisation sécuritaires et adéquates ne sont pas respectées. Comme c'est le cas pour toute pièce de machinerie, l'utilisation de ce produit comporte certains dangers. En utilisant cet appareil selon les directives et avec prudence, vous réduirez de façon importante les risques de blessures corporelles. Cependant, si les précautions normales de sécurité sont négligées ou ignorées, la personne qui utilise l'appareil pourrait être blessée. L'équipement de protection comme les gardes, les poussoirs, les dispositifs de retenue, les planches de protection, les lunettes de sécurité, les masques antipoussières et la protection pour l'ouïe peut réduire le risque de blessure. Cependant, même le meilleur dispositif de protection ne peut compenser un mauvais jugement, un manque de prudence ou d'inattention. *Utilisez toujours le bon sens et soyez prudent dans l'atelier.* Si une manœuvre a l'air dangereuse, ne l'effectuez pas. Essayez plutôt de trouver un moyen plus facile. **RAPPELEZ-VOUS** : vous êtes responsable de votre sécurité personnelle. Pour des renseignements complémentaires, rendez-vous sur notre site Web à l'adresse suivante www.DeltaMachinery.com.



⚠ AVERTISSEMENT : Cet appareil a été conçu seulement pour certaines utilisations. DELTA^{MD} Power Equipment Corporation recommande fortement que cet appareil ne soit pas modifié ni utilisé pour toutes autres fins que celles pour lesquelles il a été conçu. Si vous avez des questions sur une utilisation en particulier, N'UTILISEZ PAS l'appareil avant d'avoir d'abord communiqué avec DELTA^{MD} pour déterminer si cette utilisation peut ou si elle devrait être faite sur ce produit.

Si vous avez des questions relativement à son utilisation, N'UTILISEZ PAS le produit tant que vous n'aurez pas communiqué par écrit avec DELTA^{MD} Power Equipment Corporation et obtenu une réponse de sa part. Contactez-nous en ligne à www.DeltaMachinery.com ou par courrier à l'adresse suivante : Responsable du service technique, DELTA^{MD} Power Equipment Corporation, 2651 New Cut Road, Spartanburg, South Carolina 29303.

Des renseignements au sujet de l'utilisation sécuritaire et appropriée de cet appareil sont disponibles auprès des sources suivantes :

- Power Tool Institute, 1300 Sumner Avenue, Cleveland, OH 44115-2851 ou en ligne sur www.powertoolinstitute.com
- National Safety Council, 1121 Spring Lake Drive, Itasca, IL 60143-3201
- American National Standards Institute, 25 West 43rd Street, 4 floor, New York, NY 10036 www.ansi.org - ANSI 01.1 Safety Requirements for Woodworking Machines
- Réglementation du Département américain du travail (OSHA) à l'adresse www.osha.gov

CONSIGNES DE SÉCURITÉ - DÉFINITIONS

Ce manuel contient des renseignements qu'il est important de connaître et de comprendre. Ces renseignements ont pour but d'assurer VOTRE SÉCURITÉ et de PRÉVENIR LES PROBLÈMES D'ÉQUIPEMENT. Pour vous aider à reconnaître ces renseignements, nous utilisons les symboles ci-dessous. Veuillez lire le manuel et prêter attention à ces sections.

⚠ DANGER : Indique une situation extrêmement dangereuse qui, si elle n'est pas évitée, entraînera la mort ou une blessure grave.

⚠ AVERTISSEMENT : Indique une situation potentiellement dangereuse qui, si elle n'est pas évitée, pourrait entraîner la mort ou une blessure grave.

⚠ ATTENTION : Indique une situation potentiellement dangereuse qui, si elle n'est pas évitée, peut entraîner une blessure mineure ou modérée.

ATTENTION : Utilisé sans le symbole d'avertissement, indique une situation potentiellement dangereuse qui, si elle n'est pas évitée, peut endommager l'appareil.

RÈGLES DE SÉCURITÉ GÉNÉRALES

⚠ AVERTISSEMENT : LE NON-RESPECT DE CES RÈGLES PEUT ENTRAÎNER DES BLESSURES PERSONNELLES GRAVES.

- **POUR VOTRE PROPRE SÉCURITÉ, ASSUREZ-VOUS D'AVOIR BIEN LU ET COMPRIS LE MANUEL D'UTILISATION AVANT DE FAIRE FONCTIONNER L'APPAREIL.** Apprenez à connaître son domaine d'utilisation et ses limites, ainsi que les dangers qui lui sont rattachés.
- **MAINTENEZ L'AIRE DE TRAVAIL PROPRE.** Les aires et les bancs de travail encombrés sont propices aux accidents.
- **NE PAS UTILISER DANS UN ENVIRONNEMENT DANGEREUX.** N'utilisez pas cet appareil dans un endroit humide ou mouillé, et ne l'exposez pas à la pluie. Gardez votre lieu de travail bien éclairé.
- **MAINTENEZ LES ENFANTS ET LES VISITEURS À L'ÉCART.** Tous les enfants et visiteurs doivent demeurer à une distance sécuritaire de l'aire de travail.
- **DÉBRANCHEZ L'APPAREIL** avant toute opération d'entretien.
- **VÉRIFIEZ LA PRÉSENCE DE PIÈCES ENDOMMAGÉES.** Avant d'utiliser l'appareil, bien réparer ou remplacer toute pièce endommagée.

⚠ AVERTISSEMENT : LE NON-RESPECT DE CES RÈGLES PEUT ENTRAÎNER DES BLESSURES GRAVES.

1. Assurez-vous de lire et comprendre les avertissements affichés sur l'appareil et dans ce manuel. Le non respect de tous ces avertissements peut entraîner des blessures graves.
2. Remplacez les étiquettes d'avertissement si elles sont masquées ou supprimées.
3. Cet appareil est conçu pour l'utilisation par un personnel qualifié et expérimenté seulement. En cas de non familiarité avec le bon fonctionnement sécuritaire d'une raboteuse, ne l'utilisez pas avant d'avoir reçu la formation et les connaissances appropriées.
4. Ne pas utiliser cet appareil pour autre chose que son usage prévu. S'il est utilisé à d'autres fins, DELTA® Power Equipment Corporation décline toute garantie réelle ou implicite et se dégage de toute responsabilité pour toute blessure qui pourrait résulter de cette utilisation.
5. Portez toujours des lunettes de protection ou des écrans faciaux approuvés lors de l'utilisation de cet outil.
6. Avant d'utiliser cet outil, enlevez cravate, bagues, montres et autres bijoux, et retroussiez vos manches au-dessus du coude. Retirez tous les vêtements amples et retenez les cheveux longs. Il est recommandé de porter des chaussures antidérapantes ou de poser des bandes de plancher antidérapantes. Ne portez pas de gants.
7. Portez des protecteurs pour l'ouïe (bouchons ou manchons) pendant les longues périodes de fonctionnement.
8. Certaines poussières créées par le ponçage mécanique, le sciage, le broyage, le perçage et d'autres activités de construction contiennent des produits chimiques identifiés comme causes de cancer, d'anomalies congénitales ou d'autres préjudices liés à la reproduction. En voici des exemples :
 - plomb de peintures à base de plomb;
 - silice cristalline de briques, de ciment et d'autres produits de maçonnerie;
 - arsenic et chrome de bois de sciage traité chimiquement.
9. N'utilisez pas cet appareil en état de fatigue ou avec les facultés affaiblies par la drogue, l'alcool ou les médicaments.
10. Avant de brancher l'appareil sur la source d'alimentation, assurez-vous que l'interrupteur est en position « OFF » (Arrêt).
11. Assurez-vous que l'appareil est correctement mis à la terre.
12. Ne faites les réglages de l'appareil ou son entretien que lorsque celui-ci est débranché de la source d'alimentation.
13. Prenez l'habitude de vérifier que tout l'équipement supplémentaire tel que les clés de réglage, les clés à molette, la ferraille, le matériel et les chiffons de nettoyage a été éloigné de l'appareil avant de le mettre en marche.
14. Gardez les dispositifs de protection en place en tout temps lorsque l'appareil est utilisé. Faites preuve d'une extrême prudence s'ils sont enlevés à des fins d'entretien et remettez-les en place dès la fin de l'entretien.
15. Assurez-vous que l'outil est solidement fixé sur une surface de travail stable avant de l'utiliser.
16. Vérifiez si des pièces sont endommagées. Avant d'utiliser l'appareil, il faut vérifier soigneusement le dispositif de protection ou toute autre pièce endommagée afin de s'assurer que l'appareil fonctionnera correctement et remplira sa fonction prévue. Vérifiez l'alignement des pièces mobiles et leurs joints, tout bris de pièce et du cadrage et toute autre condition qui pourrait en modifier le fonctionnement. Un garde ou une autre pièce endommagée doivent être réparés ou remplacés sans tarder.
17. Prévoyez un espace suffisant autour de la zone de travail et un éclairage en plongée non éblouissant.

Votre risque lié à ces expositions varie selon la

suite à la page 18

18. Gardez le plancher autour de l'appareil propre et exempt de débris, d'huile et de graisse.
19. Gardez les visiteurs à une distance sécuritaire de la zone de travail. Tenez les enfants à distance.
20. Rendez votre atelier à l'épreuve des enfants au moyen de cadenas, de commutateurs principaux ou en retirant les clés de mise en marche.
21. Concentrez-vous uniquement sur le travail. Regarder aux alentours, tenir une conversation et faire du chahut sont des actes négligents qui peuvent entraîner des blessures graves.
22. Maintenez une position équilibrée en tout temps afin de ne pas tomber ou de ne pas vous appuyer sur l'outil ou sur ses pièces mobiles. Évitez de vous étirer ou d'utiliser une force excessive pour effectuer toute opération avec l'appareil.
23. Utilisez l'outil approprié à la bonne vitesse et au bon débit. Ne forcez pas un outil ou un accessoire à effectuer une tâche pour laquelle il n'a pas été conçu. Le bon outil fera mieux le travail et sera plus sécuritaire.
24. Utilisez les pièces recommandées ; les accessoires inadéquats peuvent être dangereux.
25. Entretenez les appareils avec soin. Suivez les indications relatives à la lubrification et au changement d'accessoire.
26. Débranchez l'appareil avant le nettoyage. Utilisez une

brosse ou de l'air comprimé pour enlever la poussière ou des débris ; n'utilisez pas vos mains.

27. Ne vous tenez pas debout sur l'appareil. Des blessures graves pourraient se produire si l'appareil se renverse.
28. Ne jamais laisser l'appareil sans surveillance lorsqu'il est en marche. Débranchez l'appareil et ne le laissez pas sans surveillance jusqu'à son arrêt complet.
29. Tenez la poignée fermement en tout temps.
30. N'utilisez pas cet outil pour d'autres fins que celles pour lesquelles il est prévu. S'il est utilisé à d'autres fins, DELTAM^{MD} Power Equipment Corporation décline toute garantie réelle ou implicite et se dégage de toute responsabilité pour toute blessure qui pourrait résulter de cette utilisation.

Familiarisez-vous avec les règles de sécurité enseignées dans ce manuel :

▲ ATTENTION :

Cela signifie que le non-respect des précautions peut entraîner des blessures superficielles et/ou endommager l'appareil.

▲ AVERTISSEMENT :

Cela signifie que le non-respect des précautions peut causer des blessures graves pouvant même entraîner la mort.

RÈGLES DE SÉCURITÉ SPÉCIFIQUES SUPPLÉMENTAIRES

▲ AVERTISSEMENT : Le non-respect de ces règles peut provoquer des blessures graves.

1. N'UTILISEZ PAS CET APPAREIL avant qu'il soit entièrement assemblé et installé selon les instructions. Un appareil qui n'est pas correctement assemblé peut provoquer une blessure grave.
2. Demandez conseil, à votre superviseur, enseignant ou autre personne qualifiée si vous ne savez pas exactement comment fonctionne cet appareil. La connaissance c'est la sécurité.
3. Suivez tous les codes sur le branchement et les connexions électriques recommandées pour éviter une décharge électrique ou une électrocution.
4. Keep knives sharp and free from rust and pitch. Les lames non aiguisées ou rouillées travaillent plus difficilement et peuvent provoquer un rebond.
5. Ne mettez jamais l'appareil en marche avant d'avoir enlevé tous les objets sur la table (outils, chutes de bois, etc.).
6. Les projectiles peuvent provoquer une blessure grave.
7. Ne mettez jamais l'appareil en marche si la pièce à travailler touche le porte-outil. Un rebond peut se produire.
8. Fixez l'appareil sur une surface de support pour l'empêcher de glisser, de se déplacer ou de basculer.
9. Fixez correctement les lames dans le porte-outil avant de mettre l'appareil en marche. Des lames desserrées peuvent être éjectées à grandes vitesses et provoquer une blessure grave.
10. Évitez les positions inconfortables de travail et des mains. Une erreur soudaine peut pousser votre main sur les lames.
11. Gardez les bras, les mains et les doigts éloignés du porte-outil, de l'orifice d'évacuation des copeaux et des rouleaux d'entraînement pour empêcher des coupures graves.
12. Ne restez jamais à portée du porte-outil pendant que l'appareil est en marche. Vos mains peuvent être tirées dans les lames.
13. Ne vous tenez pas debout dans l'alignement de la

RÈGLES DE SÉCURITÉ SPÉCIFIQUES SUPPLÉMENTAIRES

- pièce. Un rebond peut provoquer une blessure.
14. Laissez le porte-outil atteindre sa pleine vitesse avant d'insérer une pièce.
 15. Lorsque vous rabotez un matériel courbé, placez le côté concave (creux vers le bas) du matériel sur la table et coupez avec le grain pour empêcher un rebond.
 16. N'insérez pas une pièce qui est déformée, qui contient des nœuds ou qui est incrustée d'objets étrangers (clous, agrafes, etc.). Un rebond peut se produire.
 17. N'insérez pas une pièce courte, fine ou étroite dans l'appareil. Vos mains peuvent être tirées dans les lames et/ou la pièce peut être éjectée à grandes vitesses. See the "operation" section of this instruction manual for details.
 18. N'alimentez pas la machine depuis sa sortie. La pièce sera éjectée du côté opposé à grandes vitesses.
 19. Retirez les rabotures uniquement lorsque l'appareil est hors tension pour empêcher une blessure grave.
 20. Appuyez correctement les pièces qui sont longues ou larges. La perte de contrôle d'une pièce peut provoquer des blessures graves.
 21. Ne faites jamais d'arrangements ou d'assemblage sur la table ou l'aire de travail quand l'appareil fonctionne, et n'y préparez pas votre travail. Cela pourrait provoquer des blessures graves.
 22. Éteignez l'appareil et débranchez l'appareil de la source d'alimentation, et nettoyez la table/l'aire de travail avant de laisser l'appareil. Verrouillez l'interrupteur en position « off » (arrêt) pour empêcher une utilisation non autorisée. Une autre personne pourrait accidentellement mettre l'appareil en marche et se blesser ou blesser les autres...
 23. De plus amples renseignements sur l'utilisation sécuritaire et adéquate des outils électriques (par exemple, une vidéo sur la sécurité) sont disponibles auprès du Power Tool Institute, 1300 Summer Avenue, Cleveland, OH 44115-2851 (www.Powertoolinstitute.com). Des informations sont également disponibles auprès du National Safety Council, 1121 Spring Lake Drive, Itasca, IL 60143-3201. Veuillez vous reporter aux exigences en matière de sécurité 01.1 de l'American National Standards Institute (ANSI) pour les appareils à travailler le bois et aux réglementations OSHA 1910.213 du Ministère du Travail des États-Unis.

CONSERVEZ CES CONSIGNES.

Consultez-les souvent et utilisez-les pour enseigner les autres.

RACCORDEMENTS ÉLECTRIQUES

Un circuit électrique séparé devrait être utilisé pour vos appareils. Les fils du circuit doivent être au moins de calibre 14 et être protégés par un fusible à action différée de 20 ampères. Si vous utilisez une rallonge, ne prenez que des rallonges à trois fils avec des fiches de mise à la terre à trois broches et le réceptacle correspondant qui acceptera la fiche de l'appareil. Avant de brancher l'appareil sur l'alimentation, assurez-vous que le commutateur est en position « OFF » (« Arrêt ») et que le courant électrique que vous allez utiliser possède les mêmes caractéristiques que celui indiqué sur l'appareil. Tous les raccordements doivent établir un bon contact. Une utilisation en basse tension endommagera l'appareil.

⚠ DANGER : NE PAS UTILISER L'APPAREIL DANS UN ENDROIT HUMIDE OU MOUILLÉ ET NE PAS L'EXPOSER À LA PLUIE.

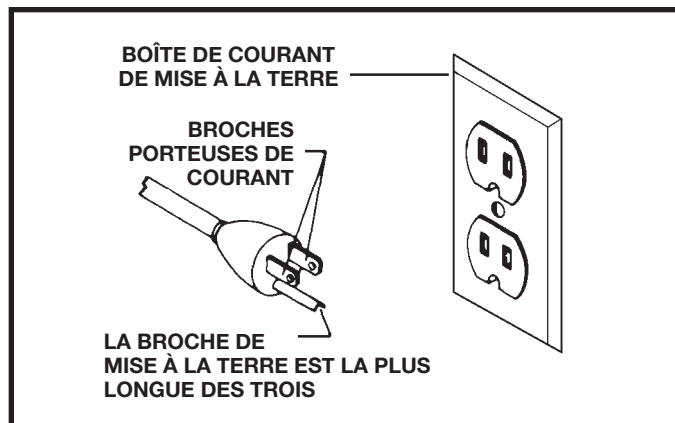


FIG. A

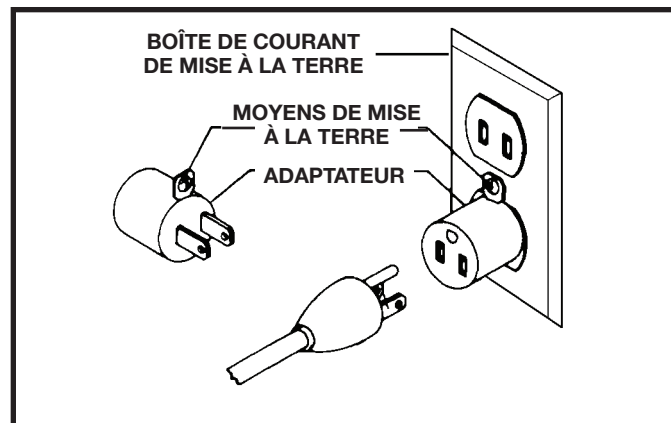


FIG. B

SPÉCIFICATIONS DU MOTEUR

Votre appareil est câblé pour un courant alternatif de 120 Vca, 60 Hz. Avant de brancher l'appareil sur la source d'alimentation, assurez-vous que l'interrupteur est en position « OFF » (Arrêt).

INSTRUCTIONS DE MISE À LA TERRE

⚠ DANGER : CET APPAREIL DOIT ÊTRE MIS À LA TERRE LORSQU'IL EST UTILISÉ POUR PROTÉGER L'OPÉRATEUR CONTRE L'ÉLECTROCUTION.

1. Pour tous les appareils branchés par un cordon d'alimentation et mis à la terre :

En cas de mauvais fonctionnement ou de panne, la mise à la terre fournit un chemin de moindre résistance au courant électrique visant à réduire le risque d'électrocution. Cet appareil est équipé d'un cordon électrique possédant un conducteur de terre et une fiche de terre. La fiche doit être branchée sur une prise correctement installée et mise à la terre conformément à tous les codes et règlements locaux.

Ne pas modifier la fiche prévue. Si elle n'entre pas dans la prise, faire installer une prise appropriée par un électricien agréé.

Le raccordement inapproprié du conducteur de terre de l'équipement peut provoquer l'électrocution. Le fil conducteur avec un isolant comportant une surface extérieure verte, avec ou sans rayures jaunes, est le conducteur de terre. Si la réparation ou le remplacement du cordon électrique ou de la fiche est nécessaire, ne branchez pas le conducteur de terre à une borne sous tension.

Si les consignes de mise à la terre ne sont pas complètement comprises ou en cas de doute concernant la mise à la terre de l'appareil, se renseigner auprès d'un électricien ou du personnel de service agréés.

Utiliser uniquement des rallonges à trois fils avec des fiches de mise à la terre à trois broches et des réceptacles à 3 conducteurs adaptés à la fiche de l'appareil, comme indiqué à la Fig. A.

Réparer et remplacer immédiatement tout cordon endommagé ou usé.

⚠ DANGER : DANS TOUS LES CAS, ASSUREZ-VOUS QUE LE RÉCEPTACLE EN QUESTION EST BIEN RELIÉ À LA TERRE. SI VOUS N'ÊTES PAS CERTAIN, FAITES VÉRIFIER LE RÉCEPTACLE PAR UN ÉLECTRICIEN QUALIFIÉ.

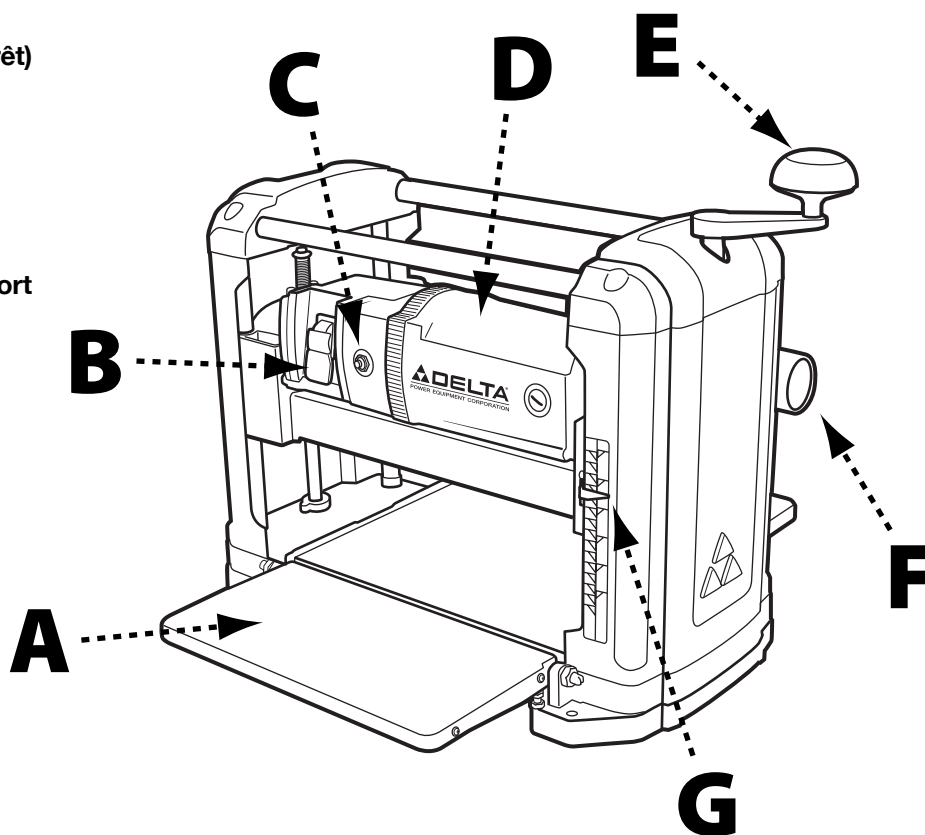
RALLONGES

⚠ ATTENTION : Utilisez des rallonges appropriées. Assurez-vous que la rallonge est en bon état et qu'il s'agit d'une rallonge à trois fils avec une fiche de mise à la terre à trois broches et d'un réceptacle correspondant à la fiche de l'appareil. Lorsque vous utilisez une rallonge, assurez-vous qu'elle soit de calibre suffisamment élevé pour assurer l'alimentation de l'appareil. Une rallonge d'un calibre trop petit provoquera une chute de tension, entraînant une perte de puissance et une surchauffe. Le tableau indique le bon calibre à utiliser en fonction de la longueur de la rallonge. En cas de doute, utiliser le calibre immédiatement supérieur. Plus le numéro de calibre est petit, plus le cordon est épais.

CALIBRE MINIMUM POUR RALLONGE			
CALIBRES RECOMMANDÉS POUR UTILISATION SUR DES APPAREILS ÉLECTRIQUES STATIONNAIRES			
Intensité	Volts	Longueur totale du cordon en mètres (pieds)	Calibre de la rallonge
0-6	120	jusqu'à 7,6 (25)	18 AWG
0-6	120	7,6-15,2 (25-50)	16 AWG
0-6	120	15,2-30,5 (50-100)	16 AWG
0-6	120	30,5-45,7 (100-150)	14 AWG
6-10	120	jusqu'à 7,6 (25)	18 AWG
6-10	120	7,6-15,2 (25-50)	16 AWG
6-10	120	15,2-30,5 (50-100)	14 AWG
6-10	120	30,5-45,7 (100-150)	12 AWG
10-12	120	jusqu'à 7,6 (25)	16 AWG
10-12	120	7,6-15,2 (25-50)	16 AWG
10-12	120	15,2-30,5 (50-100)	14 AWG
10-12	120	30,5-45,7 (100-150)	12 AWG
12-16	120	jusqu'à 7,6 (25)	14 AWG
12-16	120	7,6-15,2 (25-50)	12 AWG
12-16	120	UNE LONGUEUR DE PLUS DE 15,2 MÈTRES (50 PIEDS) N'EST PAS RECOMMANDÉE.	

CARACTÉRISTIQUES ET COMPOSANTES IMPORTANTES

- A. Table d'alimentation
- B. Interrupteur ON/OFF (Marche/Arrêt)
- C. Réarmement du disjoncteur
- D. Moteur 15 A., 12 V
- E. Poignée de réglage de la hauteur
- F. 50,8 mm (2 po) Reversible Dust Port
- G. Indicateur de la hauteur



DESCRIPTION FONCTIONNELLE

L'appareil DELTA® 22-555 est une raboteuse portative de 330 mm (12- \square po). Cette raboteuse peut accepter des pièces de 330 mm (12- \square po) de largeur au maximum et de 152 mm (6 po) d'épaisseur. La profondeur de coupe maximale est de 2,4 mm (3/32 po). L'appareil 22-555 est équipé d'un moteur de 15 ampères, 120 volts, un porte-outil bilame avec lames réversibles à deux tranchants, un outil d'installation de la lame et une clé.

CARACTÉRISTIQUES DU PRODUIT

Coupes par minute	18,800
Taux d'alimentation	8,5 m/min. (28 pi/min.)
Profondeur de coupe max. (par passage)	2,4 mm (3/32 po)
Largeur de coupe max.	330 mm (12-1/2 po)
Hauteur de coupe max.	152 mm (6 po)
Vitesse du porte-outil	9 400 T/M
Dimensions de l'outil (LxIxH)	549 mm x 600 mm x 511 mm (21-5/8 po x 23-5/8 po x 20-1/8 po)
Moteur	15 A, 120 V
Poids net	26,3 kg (58 lb)
Type de lame	Réversible à double tranchants
Nombre de lames	2
Taille de la lame (L x l x E)	320 mm x 12 mm x 1,5 mm

DÉBALLAGE

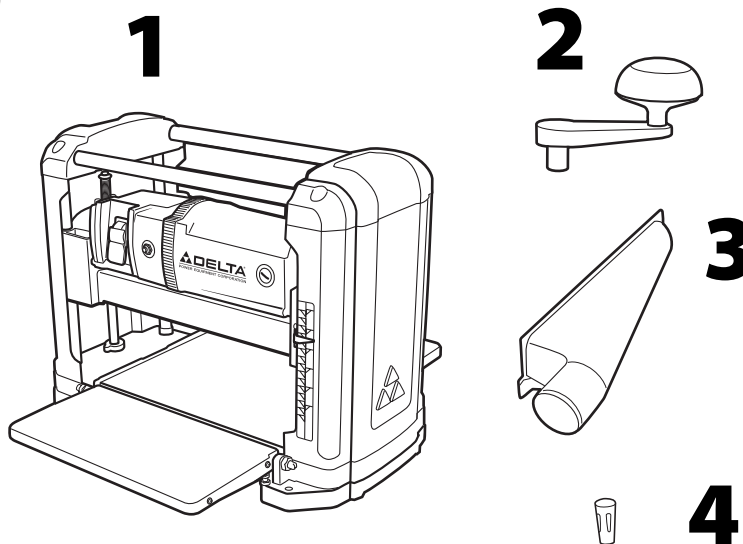
Comparez toutes les pièces à la liste ci-dessous et vérifiez que toutes les pièces sont présentes et en bon état. Signalez toute pièce manquante ou endommagée à votre distributeur ou revendeur. Avant de passer à l'assemblage de l'appareil et à son utilisation, lisez attentivement le présent manuel pour vous familiariser avec les procédures d'assemblage, d'entretien et de sécurité appropriées.

DESCRIPTION (QUANTITÉ)

1. Raboteuse DELTA® Modèle n° 22-555 (1)
2. Poignée de réglage de la hauteur (1)
3. Reversible 50,8 mm (2 po) Dust Port (1)
4. Outil de transfert de la lame (2)
5. Llave en T (no se muestra)

MATÉRIEL

- Clé à 6 pans avec poignée en T de 4 mm
- Vis à tête hexagonale M5x16mm (1)
- Rondelle plate M5
- Bouton de verrouillage M6x15mm (2)



Retirez tout matériau de protection et tout enduit de protection de l'ensemble des éléments et de l'outil. Les enduits de protection peuvent être enlevés en les pulvérisant de WD-40 et en les essuyant avec un chiffon doux. Il peut être nécessaire de refaire cette étape plusieurs fois avant que tous les enduits de protection soient complètement enlevés.

⚠ AVERTISSEMENT : S'il y a des pièces manquantes, n'essayez pas de brancher le cordon d'alimentation et de mettre l'appareil en marche. L'appareil doit seulement être mis en marche (« ON ») quand toutes les pièces auront été obtenues et correctement installées.

FIXER LA POIGNÉE DE RÉGLAGE DE LA HAUTEUR DE LA HAUTEUR

Consultez la Figure 1

1. Retirez le capuchon en caoutchouc (A) de la partie supérieure de l'arbre à vilebrequin de réglage de la hauteur (B).
2. Utilisez une vis à tête hexagonale M5 x 16 mm, une rondelle plate M5, et la clé à six pans avec poignée en T fournie pour fixer la poignée de réglage de la hauteur à l'arbre (C).
3. Remplacez le capuchon en caoutchouc.

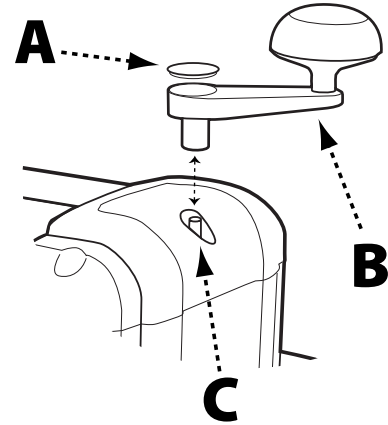


FIGURE 1

FIXER L'ORIFICE RÉVERSIBLE D'ÉVACUATION DE LA POUSSIÈRE

Consultez la Figure 2

La raboteuse 22-555 est équipée d'un orifice d'évacuation de la poussière réversible qui peut être monté à gauche ou à droite du dispositif de dépeussierage. Pour fixer l'orifice d'évacuation de la poussière :

1. Fixez l'orifice d'évacuation de la poussière (A) aux deux extrémités du logement de l'outil au moyen des deux boutons de verrouillage M6 x 15 mm (B).

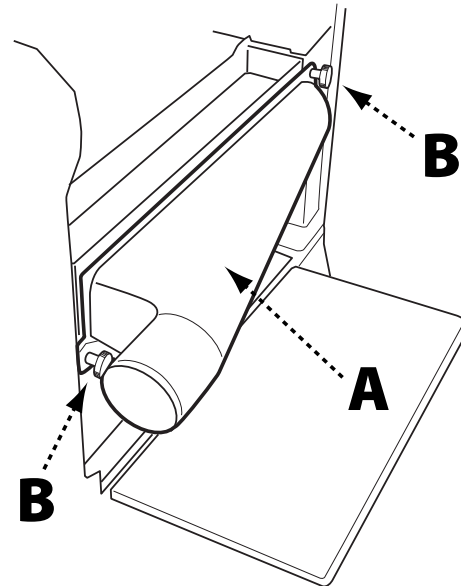


FIGURE 2

BRANCHER LE COLLECTEUR DE POUSSIÈRE

Une raboteuse génère une grande quantité de particules fines pendant son utilisation. Il est fortement recommandé de raccorder la raboteuse à un aspirateur d'atelier ou un collecteur de poussière. Votre raboteuse d'établi DELTA® est équipée d'un orifice d'évacuation de la poussière de 50,8 mm (2 po) qui doit être raccordé à un tuyau d'aspirateur pour un fonctionnement sécuritaire. Vous pourrez raccorder votre raboteuse à la plupart des collecteurs de poussière qui utilisent un tuyau de 101,6 mm (4 po) au moyen d'un adaptateur de 50,8 mm à 101,6 mm (2 po à 4 po) en option (vendu séparément).

⚠ AVERTISSEMENT : Ne faites pas fonctionner cet appareil sans d'abord l'avoir relié à un système adéquat de collecte de la poussière.

⚠ AVERTISSEMENT : Allumez toujours le collecteur de poussière avant de mettre en route la raboteuse et arrêtez toujours la raboteuse avant d'éteindre le collecteur de poussière.

FUNCTIONNEMENT

DÉMARRER ET ARRÊTER LA RABOTEUSE

⚠ AVERTISSEMENT : Assurez-vous que l'interrupteur est en position « OFF » (Arrêt) avant de brancher le cordon dans la prise. Ne touchez pas aux broches métalliques de la fiche au moment de brancher ou de débrancher le cordon.

⚠ AVERTISSEMENT : En cas de panne de courant (comme un saut de disjoncteur ou de fusible), mettez toujours l'interrupteur en position « OFF » (Arrêt) jusqu'à ce que le courant soit rétabli.

L'interrupteur ON/OFF (MARCHE/ARRÊT) (A), indiqué dans la figure 3, est situé à l'avant de l'armoire. Pour démarrer l'appareil (« ON »), mettez l'interrupteur en position haute. Pour éteindre l'appareil (« OFF »), mettez l'interrupteur en position basse.

VERROUILLER LA RABOTEUSE AU MOYEN DE LA CLÉ DE SÉCURITÉ

1. Cet appareil est équipé d'une clé de sécurité (B), illustrée dans la figure 3, qui vous permet de verrouiller l'outil en position « OFF » (arrêt) lorsqu'il n'est pas utilisé.
2. Pour verrouiller l'appareil, retirez la clé de sécurité en la tirant bien droit. Une fois la clé de sécurité retirée, l'interrupteur ne fonctionnera plus.
3. Si la clé de sécurité est retirée durant le fonctionnement de l'outil, l'appareil pourra être positionné sur « OFF » (« ARRÊT ») mais ne pourra être redémarré qu'en insérant à nouveau la clé de sécurité.

IMPORTANT : Quand vous n'utilisez pas l'appareil, l'interrupteur devrait être verrouillé en position « OFF » (arrêt) pour empêcher une utilisation non autorisée.

RÉINITIALISER LE DISJONCTEUR INTÉGRÉ

Le DELTA® 22-555 est équipé d'un disjoncteur intégré (C), un dispositif de sécurité supplémentaire illustré dans la figure 3. Si le moteur subit une surcharge ou si une saute de puissance se produit pendant le fonctionnement de l'appareil, le disjoncteur s'enclenche et coupe ainsi l'alimentation de l'appareil.

Si le disjoncteur s'enclenche, faites ce qui suit :

1. Éteignez l'appareil et débranchez le cordon d'alimentation.
2. Soulevez le porte-outil et retirez la pièce de l'appareil.
3. Attendez 2 à 3 minutes ou jusqu'à ce que la cage du moteur soit froide au toucher, puis appuyez sur le bouton de réinitialisation du disjoncteur intégré.
4. Branchez le cordon d'alimentation et redémarrez l'appareil en utilisant l'interrupteur ON/OFF.
5. Si l'appareil ne démarre pas, laissez le moteur refroidir plus longtemps et essayez à nouveau de réinitialiser le disjoncteur.

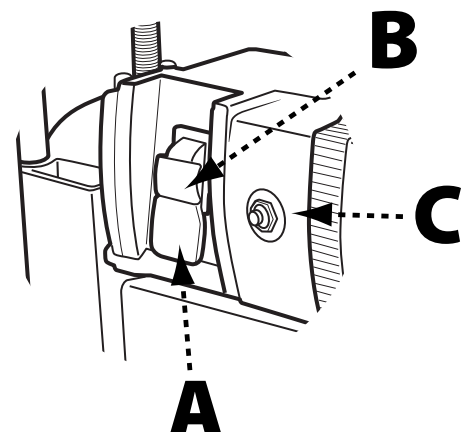


FIGURE 3

RÉGLER LA HAUTEUR DE COUPE

Consultez la Figure 4

Votre raboteuse d'établi DELTA® 22-555 peut accepter un matériel de 152 mm (6 po) de haut au maximum et a une profondeur de coupe de 2,4 mm (3/32 po) au maximum par passage. Pour régler la hauteur du porte-outil :

1. Tournez la poignée de réglage de la hauteur jusqu'à ce que l'indicateur de la hauteur (A) indique la hauteur souhaitée. Tournez la poignée dans le sens des aiguilles d'une montre pour lever le porte-outil et tournez la poignée dans le sens inverse pour le baisser. Un tour complet de la poignée de réglage de la hauteur déplace le porte-outil de 1,6 mm (1/16 po).

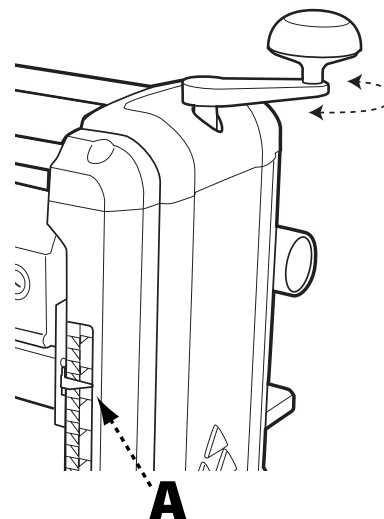


FIGURE 4

ÉLIMINER UNE ENTAILLE

Une entaille est un petit creux créé au début et/ou à la fin de la planche après qu'elle soit passée à travers la raboteuse. La figure 5 illustre comment une entaille se crée lorsqu'une planche entre dans la zone de coupe de la raboteuse avec l'extrémité avant surélevée. Le même effet peut se créer lorsque l'extrémité arrière de la planche est surélevée au moment où la pièce sort de la raboteuse.

Il y a peu de façons de contrôler une entaille.

Le plus souvent, une entaille se crée si la pièce n'est pas totalement soutenue lorsque l'extrémité avant entre dans la raboteuse et l'extrémité arrière sort de la raboteuse. Ceci peut être évité en maintenant fermement la pièce à la surface de la table d'entrée et en empêchant l'extrémité avant de se soulever lorsqu'elle touche le porte-outil.

Si, après avoir essayé la méthode ci-dessus, une entaille est toujours présente, essayez de diminuer la profondeur de coupe en augmentant légèrement la hauteur du porte-outil (voir la section précédente, « Réglage de la hauteur »).

Si la pièce présente toujours une entaille, vous devez régler la hauteur de la table d'entrée et/ou de sortie. Pour faire cela, consultez la figure 6, puis :

1. Pliez les tables d'entrée et de sortie afin de localiser les deux vis d'arrêt d'entrée (A) et les deux vis d'arrêt de sortie (B).
2. Au moyen d'une clé à fourche de 10 mm, desserrez les écrous de serrage.
3. Réglez les vis d'arrêt, un jeu à la fois, en vous assurant qu'elles sont à la même hauteur. Pour vérifier la hauteur d'une vis, baissez la table et confirmez que les deux têtes de vis sont alignées à la partie inférieure de la table.
4. Réessayez pour voir si une entaille apparaît.

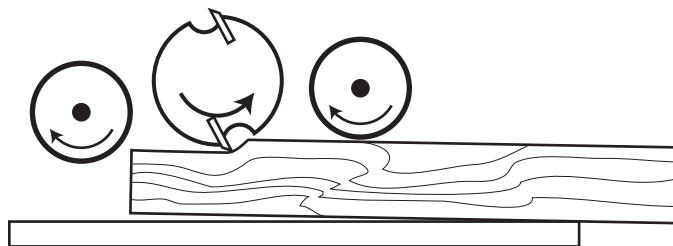


FIGURE 5

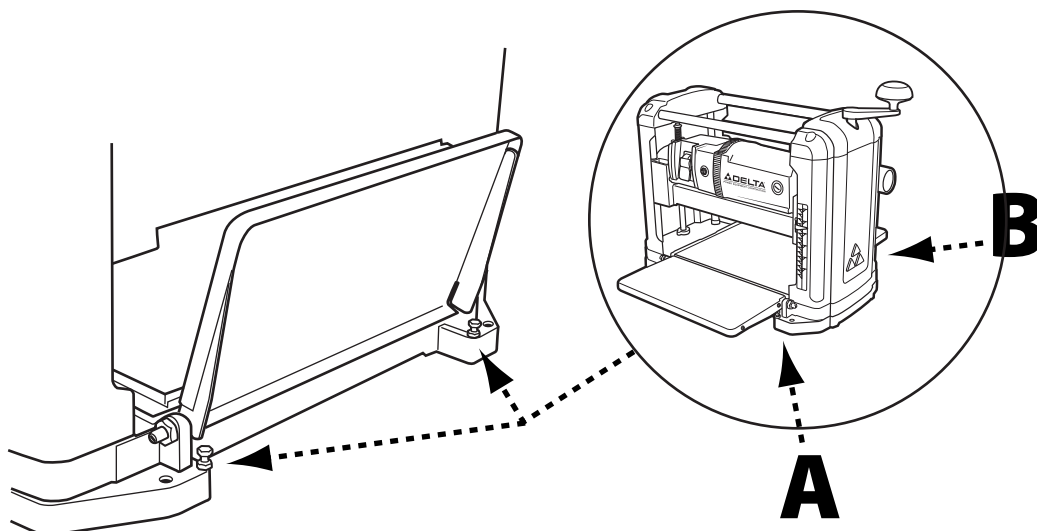


FIGURE 6

CHANGER OU INVERSER LES LAMES

⚠ AVERTISSEMENT : Débranchez l'appareil de la source d'alimentation avant de faire des ajustements!

⚠ AVERTISSEMENT : Les lames de la raboteuse sont extrêmement tranchantes. Soyez très prudent lorsque vous inspectez, retirez, aigüisez ou remplacez les lames dans le porte-outil. Ne pas suivre ces instructions peut provoquer une blessure grave.

1. Retirez le capteur de poussière en dévissant les deux boutons de verrouillage illustrés dans la figure 2.
2. Retirez les boutons de verrouillage qui fixent le couvercle du porte-outil au coulage principal et retirez le couvercle. Le porte-outil et les lames sont désormais apparents.
3. Verrouillez le porte-outil en place. Pour se faire, consultez la figure 7 et assurez-vous que l'attache de verrouillage à ressort rouge (A) est en position avant. Puis tournez prudemment et lentement le porte-outil jusqu'à ce que l'attache soit verrouillée en place et que le porte-outil ne bouge plus.
4. En utilisant la clé à 6 pans avec poignée en T fournie, desserrez les six vis (B) qui fixent chaque barre de maintien de la lame et la lame au porte-outil.
5. Utilisez l'embout magnétique de l'outil de retrait de la lame (C) pour soulever prudemment la barre de maintien puis la lame.

⚠ ATTENTION : Les lames sont tranchantes! Soyez très prudent lorsque vos mains se situent autour de la zone de la lame!

6. Installez prudemment la nouvelle lame ou tournez la lame existante, en vous assurant que les goujons sur le porte-outil sont alignés aux trous allongés dans la lame.
7. Remplacez la barre de maintien, en vous assurant que les deux goujons sur le porte-outil sont alignés avec les deux petits trous dans la barre de maintien.
8. Remplacez et resserrez les six vis.
9. Déverrouillez le porte-outil en déplaçant l'attache de verrouillage à ressort rouge vers l'avant et en tournant prudemment le porte-outil jusqu'à ce que la deuxième lame apparaisse et que le porte-outil se verrouille en place.
10. Pour remplacer le deuxième couteau, répétez les étapes 4 à 8.
11. Remplacez le couvercle du porte-outil. Assurez-vous que les encoches dans le couvercle sont alignées avec les trous filetés et que le couvercle est totalement inséré dans le logement.
12. Remplacez le capteur de poussière et refixez-le avec les deux boutons de verrouillage.

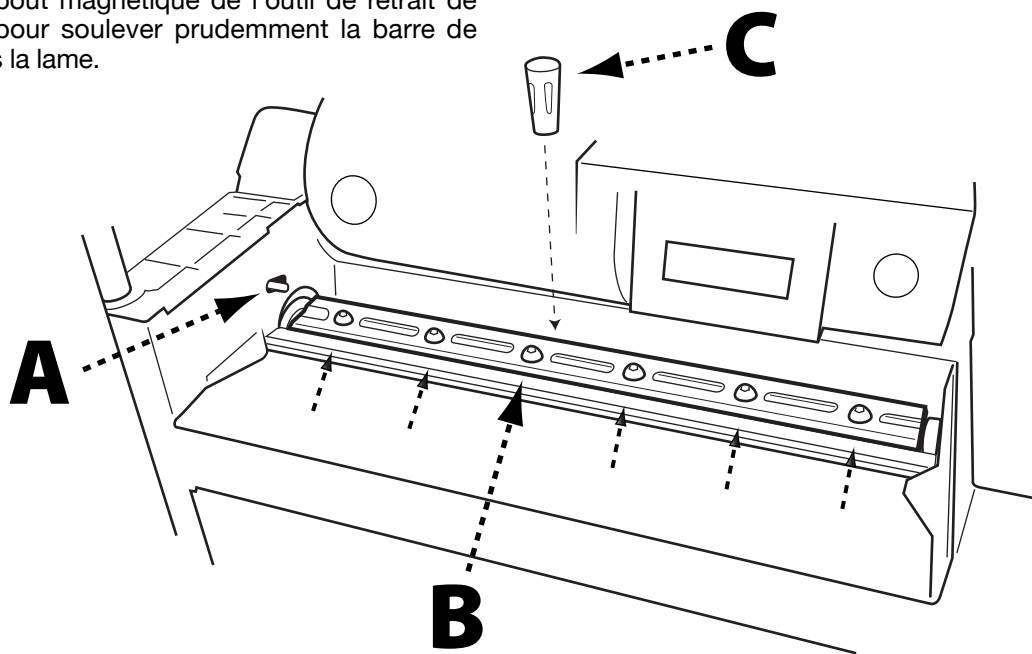


FIGURE 7

AUTRE ENTRETIEN RECOMMANDÉ

1. Soufflez périodiquement de l'air comprimé sec sur tous les conduits d'air. Toutes les pièces en plastique doivent être nettoyées avec un chiffon doux humide. N'utilisez JAMAIS de solvant pour nettoyer les pièces en plastique. Il pourrait dissoudre ou endommager le matériel à la longue.
2. Vérifiez périodiquement le serrage de la quincaillerie et guettez les vibrations inhabituelles lorsque vous travaillez car elles peuvent indiquer qu'un matériel est desserré.

ACCESSOIRES

Une gamme complète d'accessoires peut être obtenue auprès de votre fournisseur DELTA^{MD}, des centres de service du fabricant DELTA^{MD}, et des centres de services agréés DELTA^{MD}. Rendez-vous sur notre site Web www.DeltaMachinery.com pour obtenir un catalogue en ligne ou pour connaître le nom du fournisseur le plus près de chez vous.

⚠ AVERTISSEMENT : Étant donné que les accessoires autres que ceux offerts par DELTA^{MD} n'ont pas été testés avec ce produit, leur utilisation pourrait s'avérer dangereuse. Pour assurer une utilisation plus sécuritaire, seuls les accessoires recommandés par DELTA^{MD} devraient être utilisés avec ce produit.

GARANTIE

Pour l'enregistrement de votre outil auprès du service de la garantie, rendez-vous sur notre site à l'adresse www.DeltaMachinery.com.

GARANTIE LIMITÉE DE CINQ ANS Delta^{MD} Power Equipment Corporation

1. ÉLÉMENTS COUVERTS PAR LA GARANTIE. Delta Power Equipment Corporation (« l'Entreprise ») réparera ou remplacera, à sa discrétion, toute machine ou pièce de rechange DELTA^{MD}, neuve ou remise à neuf en usine, achetée d'un point de vente aux États-Unis ou au Canada et qui, dans des conditions d'usage normal, est jugée défectueuse en raison d'un problème de fabrication ou de matériau, sous réserve des conditions énoncées dans cette garantie limitée. Cette garantie limitée couvre uniquement les matériaux et la main-d'œuvre. Tous les coûts de transport sont à la charge du client.

2. PÉRIODE DE GARANTIE. Toutes les réclamations de garantie doivent être soumises dans les cinq ans suivant la date d'achat du produit. Pour toutes les pièces de rechange et machines DELTA^{MD} remises à neuf en usine, la période de garantie est de 180 jours.

3. OBTENTION DU SERVICE. Pour bénéficier du service de garantie, vous devez retourner le produit défectueux, à vos frais, à un centre de service agréé par l'Entreprise pour exécuter le service de garantie (un « centre de service agréé DELTA^{MD} » pendant la période de garantie applicable, avec une preuve d'achat acceptable, comme votre reçu original indiquant la date d'achat, ou le numéro d'homologation du produit. L'Entreprise se réserve le droit de limiter le service de réclamation de garantie au pays où l'achat a été effectué et/ou de facturer le coût de transport des pièces de rechange ou la fourniture du service de garantie dans un autre pays. Les achats en ligne sont considérés comme effectués aux États-Unis. Pour trouver le centre de service agréé DELTA^{MD} le plus près de chez vous, appelez notre centre de service à la clientèle au (800) 223-7278.

4. EXCLUSIONS.

- L'Entreprise ne garantit pas les produits achetés dans un état usagé ou endommagé.
- L'Entreprise ne garantit pas les produits achetés en dehors des États-Unis ou du Canada
- L'Entreprise ne sera pas responsable de tout dommage découlant de l'usure normale, d'une mauvaise utilisation, d'un abus, d'une réparation ou d'une altération faite par quiconque autre qu'un centre de service agréé DELTA^{MD} ou un représentant désigné du centre de service à la clientèle de l'Entreprise.
- TOUTES LES GARANTIES IMPLICITES sont expressément limitées à la période de garantie identifiée ci-dessus.
- En aucun cas, l'Entreprise ne sera tenue responsable des dommages ACCIDENTELS OU CONSÉCUTIFS.
- Cette garantie limitée est l'unique garantie de l'Entreprise et définit par la présente le recours exclusif du client en ce qui concerne les produits défectueux; toutes les autres garanties, expresses ou implicites, de qualité marchande, de conformité aux besoins ou autre, sont formellement rejetées par l'Entreprise, sauf indication contraire ci-dessus.

Certains États américains ne permettant pas l'exclusion ou la limitation des dommages accidentels ou consécutifs, ni la limitation des garanties implicites, les limitations ou exclusions ci-dessus pourraient donc ne pas s'appliquer à vous. La présente garantie vous donne des droits légaux précis et vous pouvez avoir d'autres droits qui varient selon les États et les provinces. Pour de plus amples renseignements sur la couverture de la garantie et des informations sur les réparations, appelez le (800) 223-7278. Pour enregistrer vos produits en ligne, nous vous encourageons à visiter notre site Web et à créer GRATUITEMENT un compte de membre DELTA sur <http://www.deltamachinery.com/register>.

AMÉRIQUE LATINE : La présente garantie ne s'applique pas aux produits vendus en Amérique latine. Pour les produits vendus en Amérique latine, veuillez consulter les renseignements au sujet de la garantie pour un pays particulier figurant sur l'emballage, appeler la compagnie locale ou consulter notre site Web pour plus de renseignements au sujet de la garantie.

AIDE POUR LES PIÈCES, LE SERVICE OU LA GARANTIE

Tous les appareils et accessoires DELTA^{MD} sont fabriqués selon des normes de qualité élevées et sont soutenus par un réseau de centres de service du fabricant DELTA^{MD} et des centres de services DELTA^{MD} autorisés. Pour en savoir davantage sur votre produit de qualité DELTA^{MD} ou pour obtenir des pièces, du service, de l'aide concernant la garantie ou l'emplacement du centre de service le plus près de chez vous, veuillez composer le 1 800 223-7278.

PIÈCES DE RECHANGE

Utilisez uniquement des pièces de rechange identiques. Pour obtenir une liste de pièces ou commander des pièces, rendez-vous sur notre site à l'adresse www.DeltaMachinery.com/service. Vous pouvez aussi commander des pièces auprès de votre représentant local, du centre de service de garantie autorisé ou en appelant le responsable du service technique au 1 800 223-7278 pour recevoir une assistance personnalisée de la part d'un de nos représentants hautement qualifié.

REEMPLACEMENT GRATUIT DES ÉTIQUETTES DE MISE EN GARDE

Si vos étiquettes de mise en garde sont devenues illisibles ou si vous les avez perdues, composez le 1 800 223-7278 pour un remplacement gratuit.

WARNING

1. FOR YOUR OWN SAFETY READ AND UNDERSTAND INSTRUCTION MANUAL BEFORE OPERATING PLANER.
2. Always wear eye protection.
3. Keep hands away during operation.
4. Allow automatic feed to function properly.
5. Cutterhead must be at a complete stop before freeing workpiece or making any adjustments.
6. Do not cut deeper than 3/32 in. or plane material shorter than 15 in. in length.
7. Always keep knife and drive guards in place and in proper working condition.
8. Do not expose to rain or use in damp locations.

DPEC002261

SERVICE ET RÉPARATIONS

Tous les outils de qualité auront besoin de service et/ou d'un remplacement de pièces à un moment donné. Pour des renseignements au sujet de DELTA^{MD} Power Equipment Corporation, ses filiales en usine ou pour trouver un centre de service de garantie autorisé, rendez-vous sur notre site à l'adresse www.DeltaMachinery.com ou appelez notre service à la clientèle au 1 800 223-7278. Toutes les réparations réalisées par nos centres de service sont entièrement garanties contre les défauts de matériau et de fabrication. Nous ne pouvons garantir les réparations réalisées ou tentées par d'autres. En appelant ce numéro, vous pouvez également obtenir des réponses aux questions les plus fréquemment posées.

Pour obtenir plus de renseignements, vous pouvez aussi nous écrire à l'adresse DELTA^{MD} Power Equipment Corporation, 2651 New Cut Road, Spartanburg, SC 29303 - A l'attention de : Responsable du service technique. Assurez-vous de fournir tous les renseignements présents sur la plaque de votre outil (numéro de modèle, type, numéro de série, code de date, etc.)

INSTRUCCIONES IMPORTANTES DE SEGURIDAD

⚠ ADVERTENCIA: **LEA Y COMPRENDA TODAS LAS ADVERTENCIAS E INSTRUCCIONES DE OPERACIÓN ANTES DE USAR ESTE EQUIPO.** No cumplir con todas las instrucciones enumeradas a continuación puede causar una descarga eléctrica, incendios y/o lesiones personales graves o daños a la propiedad.

Trabajar con madera puede ser peligroso si no se observan procedimientos de operación seguros y adecuados. Tal como sucede con toda maquinaria, existen determinados peligros asociados con la operación del producto. Utilizar esta máquina con respeto y cautela disminuirá considerablemente la posibilidad de lesiones personales. Sin embargo, no observar o ignorar las precauciones normales de seguridad podría causarle lesiones personales al operador. El equipo de seguridad, como los protectores, las varillas para empujar, los sujetadores, las tablas con canto biselado, las gafas protectoras, las máscaras para polvo y la protección auditiva pueden evitar el riesgo de lesionarse. Sin embargo, incluso el mejor protector no compensará la falta de sentido común, el descuido ni la distracción. *Siempre aplique el sentido común* y actúe con cautela en el taller. Si un procedimiento parece peligroso, no lo intente. Busque un procedimiento alternativo que parezca más seguro. **RECUERDE:** Su seguridad personal es su responsabilidad. Para obtener información adicional, visite nuestro sitio web en www.DeltaMachinery.com.



⚠ ADVERTENCIA: Esta máquina fue diseñada para determinadas aplicaciones únicamente. DELTA® Power Equipment Corporation recomienda encarecidamente que esta máquina no sea modificada ni utilizada para un uso que no sea aquel para el cual fue diseñada. Si tiene cualquier pregunta relacionada con una aplicación específica, NO use la máquina hasta que haya contactado primero a DELTA® para determinar si puede o debe realizarse en el producto.

Si tiene alguna pregunta relacionada con su uso, NO utilice el producto hasta que haya escrito a DELTA® Power Equipment Corporation y le hayamos dado el asesoramiento adecuado. Contáctenos en línea en www.DeltaMachinery.com o por correo a Technical Service Manager, DELTA® Power Equipment Corporation, 2651 New Cut Road, Spartanburg, South Carolina 29303.

La información relacionada con la operación segura y adecuada de esta herramienta está disponible en las siguientes fuentes:

- Power Tool Institute, 1300 Sumner Avenue, Cleveland, OH 44115-2851 o en Internet en www.powertoolinstitute.com
- National Safety Council, 1121 Spring Lake Drive, Itasca, IL 60143-3201
- American National Standards Institute, 25 West 43rd Street, 4 floor, New York, NY 10036 www.ansi.org - ANSI 01.1 Requisitos de seguridad para máquinas que trabajan de carpintería
- Reglamentaciones del Departamento del Trabajo de EE. UU.: www.osha.gov

NORMAS DE SEGURIDAD: DEFINICIONES

Este manual contiene información que es importante que usted conozca y comprenda. Esta información está relacionada con la protección de SU SEGURIDAD y la PREVENCIÓN DE PROBLEMAS CON EL EQUIPO. Para ayudarle a reconocer esta información, utilizamos los símbolos que figuran a continuación. Lea este manual y preste atención a estas secciones.

⚠ PELIGRO: Indica una situación peligrosa inminente que, de no evitarse, causará la muerte o lesiones graves.

⚠ ADVERTENCIA: Indica una situación potencialmente peligrosa que, de no evitarse, podría causar la muerte o lesiones graves.

⚠ PRECAUCIÓN: Indica una situación potencialmente peligrosa que, de no evitarse, puede causar lesiones menores o moderadas.

PRECAUCIÓN: Usado sin el símbolo de alerta de seguridad indica una situación potencialmente peligrosa que, de no evitarse, puede causar daños a la propiedad.

REGLAS GENERALES DE SEGURIDAD

⚠ ADVERTENCIA: NO SEGUIR ESTAS REGLAS DE SEGURIDAD PUEDE OCASIONAR LESIONES PERSONALES GRAVES.

- **POR SU PROPIA SEGURIDAD, LEA Y COMPRENDA EL MANUAL DE INSTRUCCIONES ANTES DE OPERAR LA UNIDAD.** Conozca los usos y las limitaciones de la unidad, así como los peligros específicos propios de la misma.
- **MANTENGA LIMPIA EL ÁREA DE TRABAJO.** Las áreas y los bancos desordenados pueden provocar accidentes.
- **NO USE EN ENTORNOS PELIGROSOS.** No use esta unidad en lugares húmedos o mojados, ni la esponja a la lluvia. Mantenga el área de trabajo bien iluminada.
- **MANTENGA ALEJADOS A LOS NIÑOS Y VISITANTES.** Todos los niños y visitantes deben mantenerse a una distancia prudente del área de trabajo.
- **DESCONECTE LA UNIDAD** antes de efectuarle tareas de mantenimiento.
- **CONTROLE LAS PIEZAS DAÑADAS.** Antes de seguir usando la unidad, repare o reemplace de forma adecuada cualquier pieza que esté dañada.

⚠ ADVERTENCIA: NO OBSERVAR ESTAS REGLAS DE SEGURIDAD PUEDE OCASIONAR LESIONES GRAVES.

1. Lea y comprenda los carteles de advertencia de la máquina y de este manual. No cumplir con todas estas advertencias puede causar lesiones graves.
 2. Reemplace las etiquetas de advertencia si se tornan borrosas o se desprenden.
 3. Esta máquina está diseñada para ser utilizada únicamente por personal debidamente capacitado y experimentado. Si usted no está familiarizado con la operación correcta y segura de un cepillo, no lo utilice hasta haber obtenido la capacitación y el conocimiento correctos.
 4. No utilice esta máquina para otra cosa que no sea su uso previsto. Si se utiliza para otros propósitos, DELTA® Power Equipment Corporation se exime de cualquier garantía real o implícita y se mantiene indemne ante cualquier lesión que pueda ser consecuencia de dicha utilización.
 5. Siempre use lentes de seguridad/careta al utilizar esta herramienta.
 6. Antes de operar esta herramienta, quítese la corbata, los anillos, relojes y otras alhajas, y remánguese las mangas más arriba de los codos. No use ropa suelta; el cabello largo debe estar cubierto. Se recomienda utilizar calzado antideslizante o tiras antiderrapantes en el piso. No use guantes.
 7. Use protectores auditivos (tapones u orejeras) durante períodos de operación extensos.
 8. Parte del polvo creado por el lijado, el aserrado, el amolado, el barrenado y otras actividades de construcción contiene productos químicos que se sabe que causan cáncer, defectos congénitos y otros daños reproductivos. Algunos ejemplos de estos productos químicos son:
 - plomo de pinturas a base de plomo;
 - sílice cristalina de ladrillos, cemento y otros productos de albañilería;
 - arsénico y cromo de madera tratada químicamente.
- Su riesgo de exposición varía dependiendo de la frecuencia con la que realice este tipo de trabajo.** Para reducir su exposición a estos productos químicos, trabaje en un área bien ventilada y trabaje con equipos de seguridad aprobados, como máscaras faciales y para polvo que estén específicamente diseñadas para no dejar pasar las partículas microscópicas.
9. No opere esta máquina cuando esté cansado o bajo los efectos de drogas, alcohol o cualquier medicamento.
 10. Asegúrese de que el interruptor esté en la posición OFF (APAGADO) antes de conectar la máquina a una fuente de alimentación.
 11. Asegúrese de que la máquina esté conectada a tierra de forma adecuada.
 12. Desenchufe la máquina de la fuente de alimentación para realizar todos los ajustes y el mantenimiento de la misma.
 13. Cree el hábito de verificar que todos los equipos adicionales, como llaves de ajuste, llaves, descartes, material y paños de limpieza, se alejen de la máquina antes de encenderla.
 14. Mantenga los protectores de seguridad en su lugar en todo momento cuando la máquina esté en uso. Si se quitan por razones de mantenimiento, aplique extrema precaución y vuelva a colocar los protectores inmediatamente cuando se complete el mantenimiento.
 15. Asegúrese de que la herramienta esté firmemente sujeta a una superficie de trabajo estable antes de utilizarla.
 16. Examine las piezas dañadas. Antes de seguir utilizando la máquina, debe examinarse cuidadosamente si el protector u otra pieza están dañados, para determinar que funcionarán adecuadamente y desempeñarán su función prevista. Examine la alineación de las piezas móviles, la unión de las piezas móviles, si hay piezas rotas, el montaje y cualquier otra condición que pueda afectar su funcionamiento. Los protectores o las otras piezas que estén dañados deben repararse o reemplazarse adecuadamente.

continúa en la página 32

17. Provea un espacio adecuado alrededor del área de trabajo e iluminación superior antirreflejo.
18. Mantenga el piso alrededor de la máquina limpio y libre de descartes de material, aceite y grasa.
19. Mantenga a los visitantes a una distancia prudente del área de trabajo. Mantenga alejados a los niños.
20. Haga su taller a prueba de niños, mediante candados, interruptores generales o sacando las llaves de encendido.
21. Preste absoluta atención a su trabajo. Mirar alrededor, mantener una conversación y los juegos físicos bruscos son acciones negligentes que pueden ocasionar lesiones graves.
22. Mantenga una postura balanceada en todo momento para que no caerse ni apoyarse sobre la herramienta o sus piezas móviles. No se extralimite ni aplique fuerza excesiva para realizar cualquiera de las operaciones de la máquina.
23. Utilice la herramienta correcta, a la velocidad y tasa de alimentación adecuadas. No fuerce una herramienta o acoplamiento para que realicen un trabajo para el cual no fueron diseñados. La herramienta adecuada realizará mejor el trabajo y de manera más segura.
24. Utilice los accesorios recomendados; los accesorios incorrectos podrían ser peligrosos.

25. Realice el mantenimiento de la maquinaria con cuidado. Siga las instrucciones para lubricar y cambiar los accesorios.
26. Apague la máquina antes de limpiarla. Utilice un cepillo o aire comprimido para quitar el polvo o la suciedad; no utilice las manos.
27. No se pare sobre la máquina. Si la máquina se vuelca, podrían ocurrir lesiones graves.
28. Nunca deje la máquina funcionando sin supervisión. Apáguela y no deje la máquina hasta que se haya detenido completamente.
29. Sujete el material con firmeza en todo momento.
30. No utilice esta herramienta para otra cosa que no sea su uso previsto. Si se utiliza para otros propósitos, DELTA® Power Equipment Corporation se exime de cualquier garantía real o implícita y se mantiene indemne ante cualquier lesión o daño que pueda ser consecuencia de dicho uso.

Familiarícese con los siguientes avisos de seguridad utilizados en este manual:

⚠ PRECAUCIÓN:

Esto significa que si no se siguen las precauciones, pueden presentarse lesiones menores y/o posibles daños a la máquina.

⚠ ADVERTENCIA:

Esto significa que si no se siguen las precauciones, pueden presentarse lesiones graves o posiblemente incluso la muerte.

REGLAS ESPECÍFICAS DE SEGURIDAD ADICIONALES

⚠ ADVERTENCIA: No seguir estas reglas puede provocar graves lesiones personales.

1. NO OPERE ESTA MÁQUINA hasta que esté completamente ensamblada e instalada de acuerdo con las instrucciones. Una máquina ensamblada de manera incorrecta puede causar lesiones graves.

2. Busque consejo de su supervisor, instructor u otra persona calificada si no está completamente familiarizado con la operación de esta máquina. El conocimiento es seguridad.

3. Siga todos los códigos de cableado y las conexiones eléctricas recomendadas para evitar una descarga eléctrica o electrocución.

4. Mantenga las cuchillas afiladas y libres de óxido y alquitrán. Las cuchillas romas u oxidadas hacen un mayor esfuerzo y pueden ocasionar contragolpe.

5. Nunca encienda la máquina antes de despejar todos los objetos de la mesa (herramientas, pedazos de madera, etc.).

6. Los desechos voladores pueden ocasionar lesiones graves.

7. Nunca encienda la máquina con la pieza de trabajo contra la cabeza de corte. Puede producirse un contragolpe.

8. Sujete la máquina a una superficie de soporte para evitar que la máquina se resbale, avance o se vuelque.

9. Sujete correctamente las cuchillas en la cabeza de corte antes de encender la máquina. Las cuchillas sueltas pueden ser lanzadas a alta velocidad, ocasionando lesiones graves.

10. Evite las operaciones o posiciones manuales incómodas. Un deslizamiento repentino puede provocar que la mano se mueva hacia las cuchillas.

11. Mantenga los brazos, las manos y los dedos alejado de la cabeza de corte, la apertura de expulsión de virutas y los rodillos alimentadores para evitar cortes graves.

REGLAS ESPECÍFICAS DE SEGURIDAD ADICIONALES

12. Nunca introduzca las manos en el área de la cabeza de corte mientras la máquina esté en funcionamiento. Las manos pueden ser atraídas hacia las cuchillas.

13. No se pare en línea recta a la pieza de trabajo. El contragolpe puede producir lesiones.

14. Permita que la cabeza de corte alcance la velocidad total antes de alimentar una pieza de trabajo.

15. Al cepillar material pandeado, coloque el lado cóncavo del material sobre la mesa y corte siguiendo la dirección del grano para evitar contragolpe.

16. No alimente una pieza de trabajo que esté deforme, contenga nudos o tenga incrustaciones de objetos extraños (clavos, grapas, etc.). Puede producirse un contragolpe.

17. No alimente una pieza de trabajo corta, delgada o angosta en la máquina. Las manos pueden ser atraídas hacia las cuchillas y/o la pieza de trabajo puede ser lanzada a alta velocidad. Vea más detalles en la sección de "operación" de este manual de instrucciones.

18. No alimente una pieza de trabajo en el extremo de salida de la máquina. La pieza de trabajo será expulsada con fuerza por el lado contrario a alta velocidad.

19. Retire la viruta únicamente cuando la máquina esté apagada para evitar lesiones graves.

20. Proporcione apoyo adecuado para las piezas de trabajo largas o anchas. La pérdida de control de la pieza de trabajo puede causar lesiones graves.

21. Nunca realice trabajos de diseño, ensamble o preparación sobre la mesa o área de trabajo cuando la máquina esté en funcionamiento. Pueden producirse lesiones graves.

22. Apague la máquina, desconéctela de la fuente de poder y limpie la mesa o el área de trabajo antes de abandonar la máquina. Bloquee el interruptor en la posición "off" (apagado) para evitar el uso no autorizado. Otra persona puede arrancar la máquina por accidente y provocar lesiones graves a sí mismo o a los demás.

23. Información adicional sobre la operación segura y adecuada de las herramientas eléctricas (es decir, un video de seguridad) está disponible en el Instituto de Herramientas Eléctricas, 1300 Sumner Avenue, Cleveland, OH 44115-2851 (www.powertoolinstitute.com). También hay información disponible del Consejo Nacional de Seguridad, 1121 Spring Lake Drive, Itasca, IL 60143-3201. Consulte el Instituto Nacional Americano de Normas ANSI 01.1 Requisitos de seguridad para máquinas de carpintería y los reglamentos 1910.213 de OSHA del Departamento de Trabajo de Estados Unidos.

GUARDE ESTAS INSTRUCCIONES.

Consúltelas con frecuencia y úselas para dar instrucción a otros.

CONEXIONES DE ALIMENTACIÓN

Se debe utilizar un circuito eléctrico por separado para sus máquinas. Este circuito no debe ser inferior a un cable calibre 14 y debe estar protegido con un fusible con retardo de tiempo de 20 amperes. Si se utiliza un alargador eléctrico, use únicamente alargadores eléctricos trifilares con enchufes del tipo que tienen 3 clavijas con conexión a tierra y un tomacorriente equivalente que acepte el enchufe de la máquina. Antes de conectar la máquina a la línea de alimentación, cerciórese de que el interruptor esté en la posición "OFF" (APAGADO) y verifique que la corriente eléctrica sea de las mismas características que se indican en la máquina. Todas las conexiones a la línea deben hacer buen contacto. Hacerla funcionar en baja tensión dañará la máquina.

⚠ PELIGRO: NO EXPONGA LA MÁQUINA A LA LLUVIA NI LA OPERE EN LUGARES HÚMEDOS.

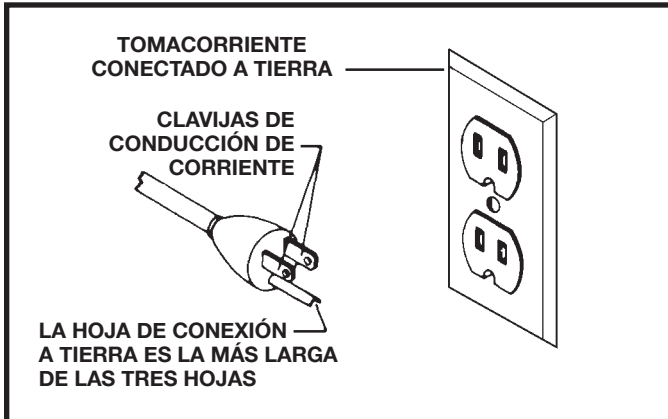


FIG. A

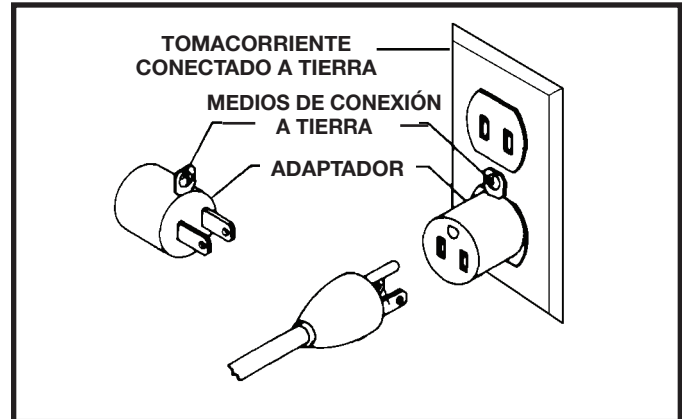


FIG. B

ESPECIFICACIONES DEL MOTOR

Su máquina está cableada para 120 voltios de corriente alterna a 60 Hz. Antes de conectar la máquina a una fuente de alimentación, asegúrese de que el interruptor esté en la posición "OFF" (apagado).

INSTRUCCIONES DE CONEXIÓN A TIERRA

⚠ PELIGRO: ESTA MÁQUINA DEBE ESTAR CONECTADA A TIERRA MIENTRAS ESTÉ EN USO PARA PROTEGER AL OPERADOR DE UNA DESCARGA ELÉCTRICA.

1. Todas las máquinas conectadas con cables y con conexión a tierra:

En caso de mal funcionamiento o avería, la conexión a tierra proporciona un pasaje de menor resistencia para la corriente eléctrica para reducir el riesgo de descarga eléctrica. Esta máquina está equipada con un cable eléctrico, que tiene un conductor que conecta el equipo a tierra y un enchufe de conexión a tierra. El enchufe debe estar enchufado en un tomacorriente equivalente, que esté instalado y conectado a tierra correctamente, según todos los códigos y ordenanzas locales.

No modifique el enchufe suministrado; si no calza en el tomacorriente, haga instalar el tomacorriente adecuado por un electricista certificado.

Conectar incorrectamente el conductor que conecta el equipo a tierra puede provocar riesgo de shock eléctrico. El conductor con aislamiento que tiene una superficie exterior verde con o sin rayas amarillas es el conductor que conecta el equipo a tierra. Si es necesario reparar o reemplazar el cable eléctrico o el enchufe, no conecte el conductor que conecta el equipo a tierra a una terminal activa.

Consulte con un electricista certificado o con el personal de servicio de mantenimiento si no comprende completamente las instrucciones de conexión a tierra o si tiene dudas sobre si la máquina está conectada a tierra adecuadamente.

Utilice únicamente alargadores eléctricos trifilares con enchufes del tipo que tienen tres clavijas y un tomacorriente equivalente de 3 conductores que acepten el enchufe de la máquina, como se muestra en la figura A.

Repare o reemplace inmediatamente el cable que esté dañado o deteriorado.

⚠ PELIGRO: EN TODOS LOS CASOS, ASEGÚRESE DE QUE EL TOMACORRIENTE EN CUESTIÓN ESTÉ CONECTADO A TIERRA CORRECTAMENTE. SI NO ESTÁ SEGURO, HAGA QUE UN ELECTRICISTA CERTIFICADO VERIFIQUE EL TOMACORRIENTE.

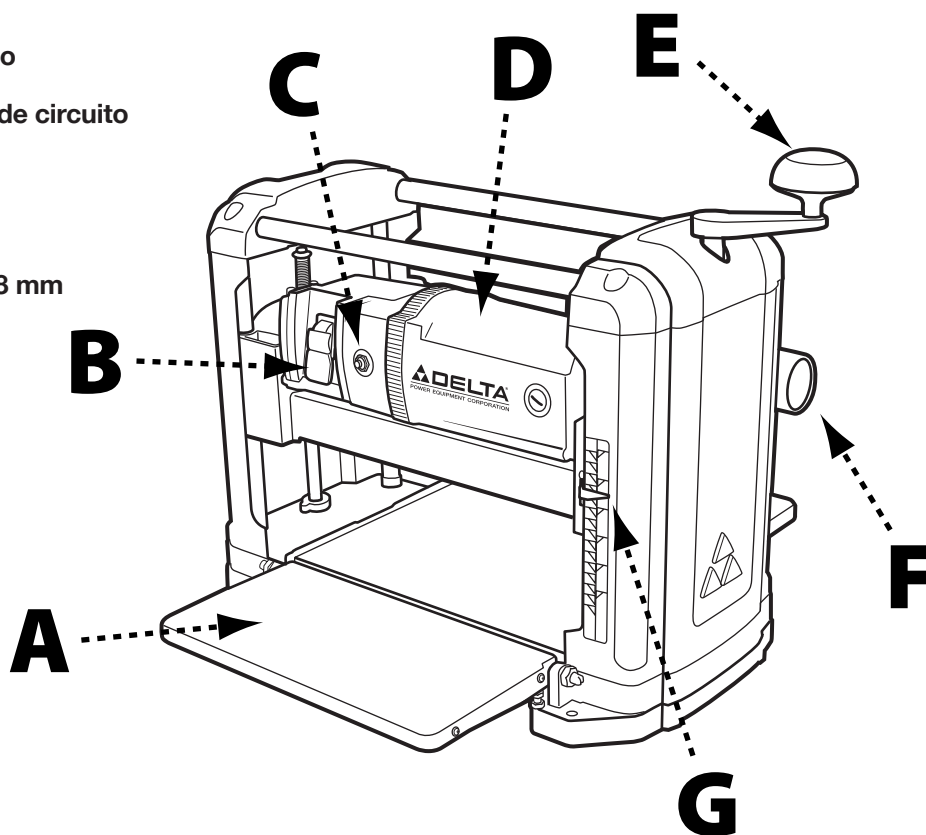
ALARGADORES ELÉCTRICOS

⚠ PRECAUCIÓN: Utilice los alargadores eléctricos adecuados. Cerciórese de que los alargadores eléctricos estén en buenas condiciones y de que sean del tipo de alargadores eléctricos con 3 cables que tienen un enchufe con conexión a tierra con 3 clavijas y un tomacorriente equivalente que acepte el enchufe de la máquina. Cuando utilice un alargador eléctrico, asegúrese de que sea lo suficientemente resistente para soportar la corriente de la máquina. Un cable inferior causará una disminución en el voltaje de la línea, lo cual genera pérdida de potencia y recalentamiento. La tabla muestra el calibre correcto que se debe usar dependiendo del largo del cable. Si tiene dudas, utilice el siguiente calibre más resistente. Cuanto menor el número del calibre, más resistente es el cable.

ALARGADOR ELÉCTRICO DE CALIBRE MÍNIMO			
TAMAÑOS RECOMENDADOS PARA UTILIZAR CON MÁQUINAS ELÉCTRICAS FIJAS			
Amperaje	Voltios	Largo total del cable en metros (pies)	Calibre del alargador eléctrico
0-6	120	hasta 7.6 (25)	18 AWG
0-6	120	7.6-15.2 (25-50)	16 AWG
0-6	120	15.2-30.5 (50-100)	16 AWG
0-6	120	30.5-45.7 (100-150)	14 AWG
6-10	120	hasta 7.6 (25)	18 AWG
6-10	120	7.6-15.2 (25-50)	16 AWG
6-10	120	15.2-30.5 (50-100)	14 AWG
6-10	120	30.5-45.7 (100-150)	12 AWG
10-12	120	hasta 7.6 (25)	16 AWG
10-12	120	7.6-15.2 (25-50)	16 AWG
10-12	120	15.2-30.5 (50-100)	14 AWG
10-12	120	30.5-45.7 (100-150)	12 AWG
12-16	120	hasta 7.6 (25)	14 AWG
12-16	120	7.6-15.2 (25-50)	12 AWG
12-16	120	NO SE RECOMIENDA UNA LONGITUD MAYOR A 15.2 METROS (50 PIES)	

CARACTERÍSTICAS Y COMPONENTES CLAVE

- A. Mesa de alimentación
- B. Interruptor de encendido/apagado
- C. Restablecimiento del interruptor de circuito
- D. Motor de 15 amp, 120v Motor
- E. Manivela de ajuste de altura
- F. Puerto de polvo reversible de 50.8 mm (2 pulg.)
- G. Indicador de altura



DESCRIPCIÓN FUNCIONAL

El DELTA® 22-555 es un cepillo portátil de 330 mm (12- $\frac{1}{4}$ pulg.) Este cepillo puede manejar piezas de trabajo de hasta 330 mm (12- $\frac{1}{4}$ pulg.) de ancho y 152 mm (6 pulg.) de grosor. La máxima profundidad de corte es 2.4 mm (3/32 pulg.) El 22-555 cuenta con un potente motor de 15 amp, 120 voltios, una cabeza de corte de dos cuchillas con cuchillas reversibles de doble filo, herramienta de instalación de cuchillas y llave.

ESPECIFICACIONES DEL PRODUCTO

Cortes por minuto	18,800
Velocidad de avance	8.5 m/min. (28 pies/min.)
Máx. profundidad de corte (por pasada)	2.4 mm (3/32 pulg.)
Máx. ancho de corte	330 mm (12-1/2 pulg.)
Máx. altura de corte	152 mm (6 pulg.)
Velocidad de la cabeza de corte	9,400 RPM
Dimensiones de la herramienta (LxAxH)	549 mm x 600 mm x 511 mm (21-5/8 pulg. x 23-5/8 pulg. x 20-1/8 pulg.)
Motor	15 amp, 120V
Peso neto	26.3 kg (58 lb)
Tipo de cuchilla	Reversible de doble filo
Número de cuchillas	2
Tamaño de cuchilla (L x A x G)	320 mm x 12 mm x 1.5 mm

DESEMPAQUE

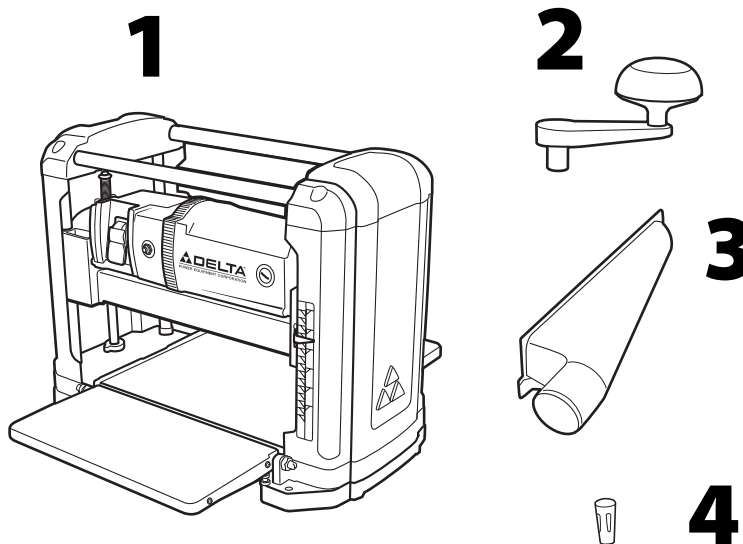
Compare todas las partes con la siguiente lista y compruebe que todas las partes estén presentes y en buenas condiciones. Reporte cualquier parte que falte o esté dañada a su distribuidor o concesionario. Antes de ensamblar y usar la herramienta, lea con atención este manual para familiarizarse con los procedimientos adecuados de ensamblado, mantenimiento y seguridad.

DESCRIPCIÓN (CANTIDAD)

1. Cepillo DELTA® Modelo #22-555 (1)
2. Manivela de ajuste de altura (1)
3. Puerto de polvo reversible de 50.8 mm (2 pulg.) (1)
4. Herramienta de transferencia de cuchilla (2)
5. Tourne-à-gauche (non illustré).

PAQUETE DE TORNILLERÍA

- Llave hexagonal de manija en T de 4 mm
- Tornillo de cabeza hexagonal M5x16mm (1)
- Arandela plana M5
- Perilla de seguridad M6x15mm (2)



Retire todo el material y los recubrimientos protectores de todas las partes y de la herramienta. Los recubrimientos protectores pueden quitarse rociando WD-40 sobre ellos y retirándolos con un paño suave. Es posible que deba hacer esto varias veces para quitar por completo todos los recubrimientos protectores.

⚠ ADVERTENCIA: Si falta cualquiera de las partes, no intente conectar el cable de corriente y encender la máquina. La máquina debe encenderse únicamente después de tener e instalar correctamente todas las partes.

MANIVELA DE AJUSTE DE ALTURA

Consulte la Figura 1

1. Retire la tapa de caucho (A) de la parte superior de la manivela de ajuste de altura (B).
2. Use un tornillo de cabeza hexagonal M5 x 16 mm, arandela plana M5 y la llave hexagonal de manija en T suministrada para asegurar la manivela de ajuste de altura al eje (C).
3. Vuelva a colocar la tapa de caucho.

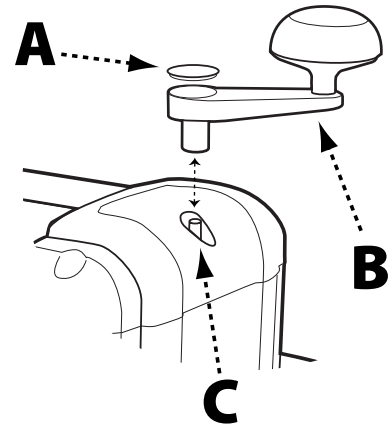


FIGURA 1

COLOQUE EL PUERTO DE POLVO REVERSIBLE

Consulte la Figura 2

El cepillo 22-555 cuenta con un puerto de polvo reversible que puede instalarse para la recolección de polvo por el lado izquierdo o derecho. Para instalar el puerto de polvo:

1. Sujete el puerto de polvo (A) a la carcasa de la herramienta en ambos extremos usando las dos perillas de seguridad M6 x 15 mm (B).

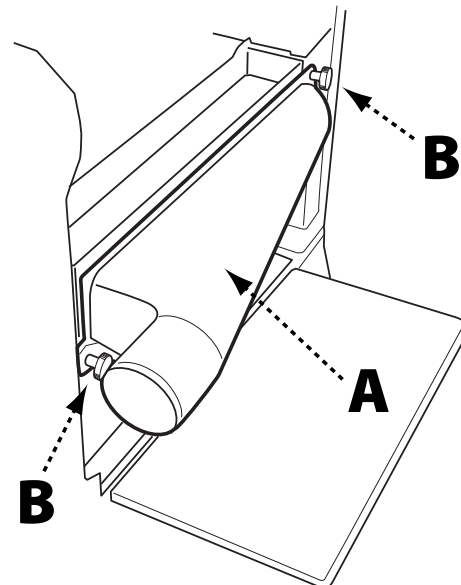


FIGURA 2

CONEXIÓN AL COLECTOR DE POLVO

Un cepillo genera una gran cantidad de partículas finas durante su uso. Se recomienda ampliamente que se conecte el cepillo a una aspiradora industrial o a un colector de polvo. Su cepillo de banco DELTA® está equipado con un puerto de polvo de 50.8 mm (2 pulg.) que debe conectarse a la manguera de una aspiradora para asegurar la operación segura. El uso de un adaptador opcional de 50.8 mm (2 pulg.) a 101.6 mm (4 pulg.) le permitirá conectar (se vende por separado) su cepillo a la mayoría de los colectores de polvo que usan una manguera de 101.6 mm (4 pulg.)

⚠ ADVERTENCIA: No intente operar esta herramienta sin conectarla primero a un sistema adecuado de recolección de polvo.

⚠ ADVERTENCIA: Siempre encienda el colector de polvo antes de encender el cepillo y siempre apague el cepillo antes de apagar el colector de polvo.

FUNCIONAMIENTO

ENCENDIDO Y APAGADO DEL CEPILLO

⚠ ADVERTENCIA: Asegúrese de que el interruptor esté en la posición de "OFF" (APAGADO) antes de conectar el cable al tomacorriente. No toque las puntas de metal del enchufe cuando desconecte o conecte el cable.

⚠ ADVERTENCIA: En caso de una interrupción de energía eléctrica (como un disparo del disyuntor o una desconexión del fusible), siempre cambie la llave a la posición "OFF" hasta que se restaure la energía eléctrica.

El interruptor de encendido/apagado (A) que se indica en la Figura 3 se encuentra al frente del gabinete. Para encender la máquina, ponga el interruptor en la posición superior. Para apagar la máquina, ponga el interruptor en la posición inferior.

BLOQUEO DEL CEPILLO CON LA LLAVE DE SEGURIDAD

1. Esta máquina usa una llave de seguridad (B), mostrada en la Figura 3, que le permite bloquear la herramienta en la posición "APAGADO" cuando no se está usando.
2. Para bloquear la máquina, retire la llave de seguridad jalándola hacia afuera. Sin la llave de seguridad, el interruptor no funcionará.
3. En caso de que se retire la llave de seguridad mientras la herramienta esté en funcionamiento, la máquina puede apagarse, mas no puede volver a encenderse, a menos que se vuelva a insertar la llave de seguridad.

IMPORTANTE: Cuando la máquina no esté en uso, el interruptor debe bloquearse en la posición "OFF" para evitar el uso no autorizado.

RESTABLECIMIENTO DEL INTERRUPTOR DE CIRCUITO INTEGRADO

Como función adicional de seguridad, el cepillo DELTA® 22-555 cuenta con un interruptor de circuito integrado (C), como se muestra en la Figura 3. En caso de sobrecarga del motor o sobretensión mientras la máquina está en funcionamiento, el interruptor de circuito se disparará, cortando la energía a la máquina.

Si se dispara el interruptor de circuito, haga lo siguiente:

1. Apague la máquina y desconecte el cable de corriente.
2. Levante la cabeza de corte y retire la pieza de trabajo de la máquina.
3. Espere de 2 a 3 minutos o hasta que la carcasa del motor esté fría al tacto, luego presione el restablecimiento del interruptor de circuito integrado.
4. Conecte el cable de corriente y reinicie la máquina usando el interruptor de encendido/apagado.
5. Si la máquina no arranca, permita que el motor se enfríe más e intente reiniciar de nuevo el interruptor de circuito.

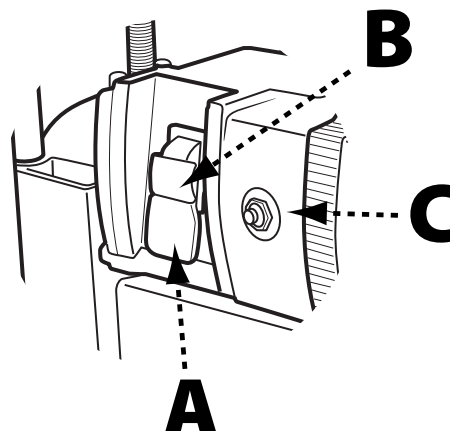


FIGURA 3

AJUSTE DE LA ALTURA DE CORTE

Consulte la Figura 4

Su cepillo de banco DELTA® 22-555 puede aceptar material de hasta 152 mm (6 pulg.) de altura y tiene una profundidad máxima de corte de 2.4 mm (3/32 pulg.) por pasada. Para ajustar la altura de la cabeza de corte:

1. Gire la manivela de ajuste de altura hasta que el indicador de altura (A) esté señalando la altura deseada. Girar la manivela hacia la derecha eleva la cabeza de corte, mientras que girarla hacia la izquierda la hace descender. Una revolución completa de la manivela de ajuste de altura mueve la cabeza de corte 1.6 mm (1/16 pulg.)

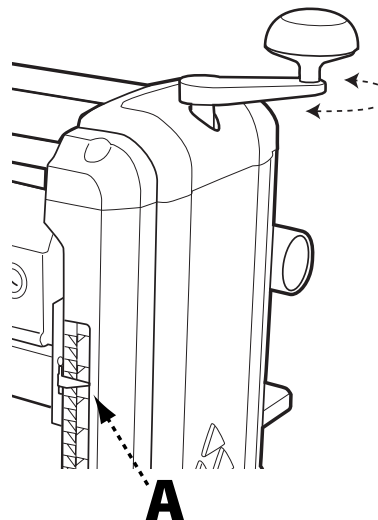


FIGURA 4

ELIMINACIÓN DE BISELES

Los biseles son depresiones cortas creadas al principio o al final de la tabla después de que pasa por el cepillo. La Figura 5 muestra cómo ocurren los biseles cuando una tabla entra al área de corte del cepillo con el extremo delantero elevado. El mismo efecto puede crearse cuando el extremo posterior de la tabla se eleva a medida que la pieza de trabajo sale del cepillo.

Existen varias maneras de controlar los biseles.

La causa más común de la formación de biseles es el soporte inadecuado de la pieza de trabajo a medida que el extremo delantero se introduce en el cepillo y el extremo posterior sale del cepillo. Esto puede abordarse sujetando firmemente la pieza de trabajo a la superficie de la mesa de alimentación y no permitiendo que el extremo delantero se eleve al entrar en contacto con la cabeza de corte.

Si después de intentar lo anterior sigue presentándose la formación de biseles, pruebe a disminuir la profundidad de corte elevando ligeramente la altura de la cabeza de corte (vea la sección anterior, "Ajuste de la altura").

Si la pieza de trabajo sigue presentando biseles, quizá sea necesario ajustar la altura de la mesa de entrada o salida de alimentación. Para hacerlo, vea la Figura 6, luego:

1. Pliegue las mesas de entrada y salida de alimentación para localizar los dos tornillos de tope de entrada (A) y los dos de salida (B).
2. Con una llave abierta de 10 mm, afloje las tuercas de retención.
3. Ajuste los tornillos de tope, un ajuste a la vez, asegurándose de que todos estén a la misma altura. Para verificar la altura de los tornillos, baje la mesa y confirme que las cabezas de ambos tornillos estén al ras de la parte inferior de la mesa.
4. Vuelva a realizar pruebas para detectar la presencia de biseles.

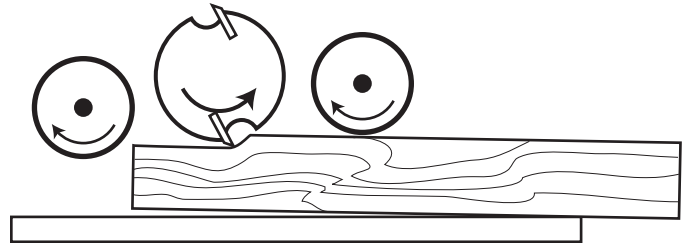


FIGURA 5

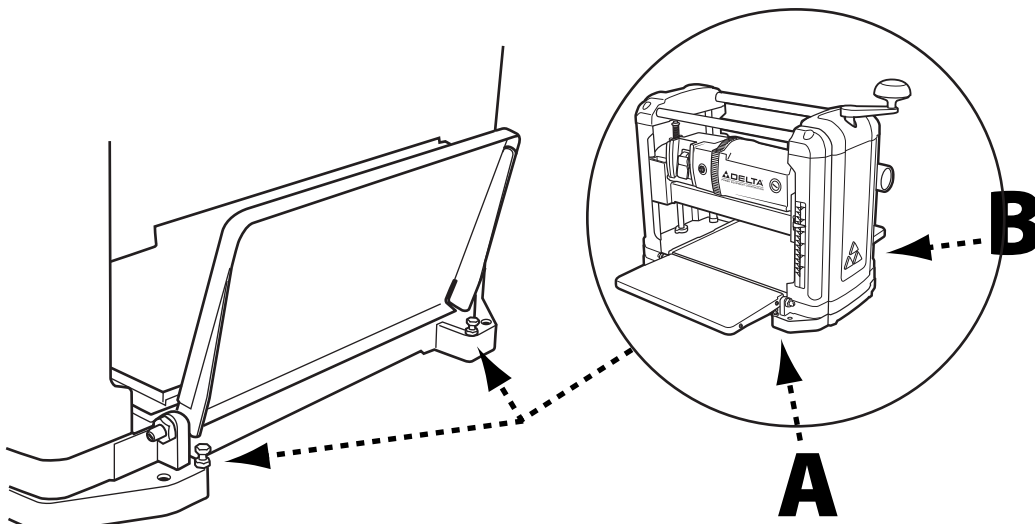


FIGURA 6

MANTENIMIENTO

CAMBIO O INVERSIÓN DE LAS CUCHILLAS

⚠ ADVERTENCIA: Desconecte la máquina de la fuente de poder antes de realizar cualquier ajuste.

⚠ ADVERTENCIA: Las cuchillas del cepillo son peligrosamente afiladas. Use precaución extrema al inspeccionar, retirar, afilar o reemplazar las cuchillas en la cabeza de corte. No hacerlo podría producir lesiones graves.

1. Retire el conducto de polvo desatornillando las dos perillas de seguridad que se muestran en la Figura 2.
2. Retire las dos perillas de seguridad que sujetan la cubierta de la cabeza de corte a la carcasa principal y retire la cubierta. La cabeza de corte y las cuchillas ahora estarán expuestas.
3. Bloquee la cabeza de corte en su lugar. Para hacer esto, consulte la Figura 7 y asegúrese de que la pestaña roja de bloqueo activada por muelle (A) esté en la posición delantera. Luego gire lenta y cuidadosamente la cabeza de corte hasta que la pestaña se bloquee en su lugar y la cabeza de corte no se mueva.
4. Usando la llave hexagonal de manija en T suministrada, afloje los seis tornillos (B) que sujetan la barra de sujeción de cada cuchilla y la cuchilla a la cabeza de corte.
5. Use el extremo magnético de la herramienta de remoción de cuchillas (C) para elevar cuidadosamente la barra de sujeción y luego la cuchilla.

⚠ PRECAUCIÓN: ¡Las hojas pueden producir cortes! Tenga extremo cuidado cuando las manos estén cerca del área de las hojas.

6. Instale cuidadosamente la nueva cuchilla o gire la cuchilla existente, asegurándose de que las clavijas de la cabeza de corte se alineen con los orificios alargados de la cuchilla.
7. Vuelva a colocar la barra de sujeción, asegurándose de que las dos clavijas de la cabeza de corte estén alineadas con los dos pequeños orificios de la barra de sujeción.
8. Vuelva a colocar y apriete los seis tornillos.
9. Suelte la cabeza de corte moviendo la pestaña roja de seguridad activada por muelle hacia adelante y girando cuidadosamente el cortador hasta que la segunda cuchilla quede expuesta y la cabeza de corte quede firme en su lugar.
10. Repita los pasos 4 a 8 para cambiar la segunda cuchilla.
11. Vuelva a colocar la cubierta de la cabeza de corte. Asegúrese de que las muescas de la cubierta se alineen con los orificios roscados y que la cubierta esté totalmente asentada en el hueco.
12. Vuelva a colocar el conducto de polvo y vuelva a sujetar con las dos perillas de seguridad.

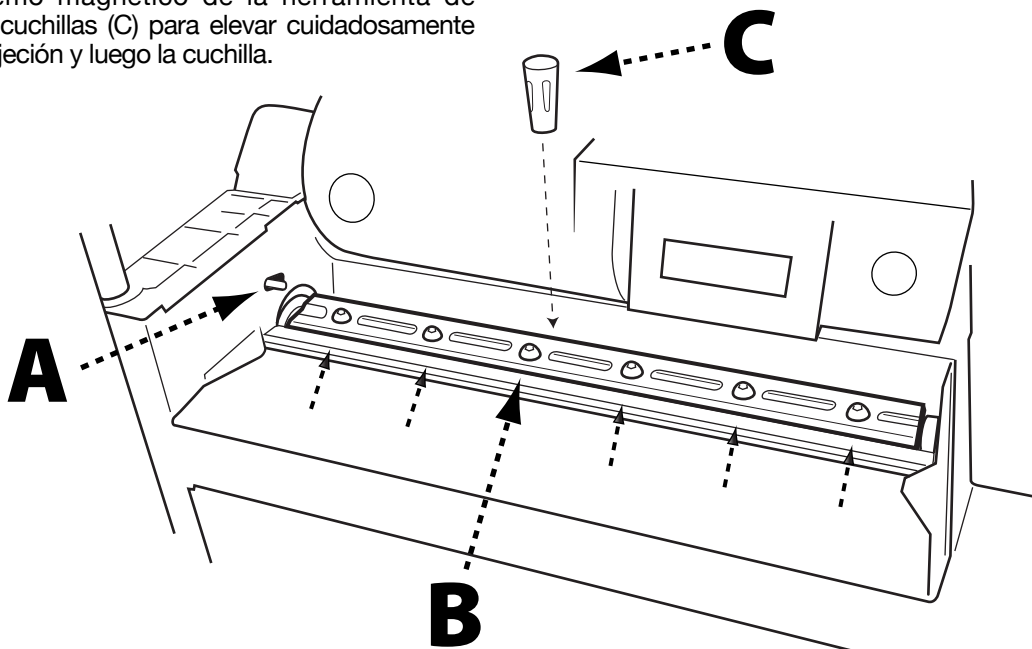


FIGURA 7

OTRO MANTENIMIENTO RECOMENDADO

1. Sopletee periódicamente todos los conductos de aire con aire comprimido seco. Todas las partes de plástico deben limpiarse con un paño húmedo y suave. NUNCA use solventes para limpiar las partes de plástico. Pueden disolver o dañar de alguna manera el material.
2. Revise periódicamente que el resto de la tornillería esté ajustada y escuche con atención si hay vibraciones inusuales a medida que trabaja, puesto que pueden ser un signo de tornillería suelta.

ACCESORIOS

A complete line of accessories is available from your DELTA® Supplier, DELTA® Factory Service Centers, and DELTA® Factory Service Centers, and DELTA® Authorized Service Centers. Please visit our Web Site www.DeltaMachinery.com for an online catalog or for the name or your nearest supplier.

⚠ ADVERTENCIA: Debido a que los accesorios que no ofrece DELTA® no han sido probados con este producto, el uso de dichos accesorios puede ser peligroso. Para obtener una operación segura, se deben utilizar con este producto únicamente los accesorios recomendados por DELTA®.

GARANTÍA

Para registrar su herramienta para servicio de garantía, visite nuestro sitio web en www.DeltaMachinery.com.

GARANTIA LIMITADA DE CINCO ANOS

Delta® Power Equipment Corporation

1. **¿QUÉ CUBRE?** Delta Power Equipment Corporation (“Compañía”) reparará o reemplazará, a su elección, cualquier máquina o pieza de servicio DELTA® nueva o reacondicionada de fábrica que se compre al menudeo en Estados Unidos o Canadá y que presente defectos comprobados en uso normal en cuanto a mano de obra o material, sujeto a las condiciones establecidas en esta garantía limitada. Esta garantía limitada cubre únicamente materiales y mano de obra. Todos los costos de transporte serán responsabilidad del cliente.

2. **PERIODO DE GARANTÍA.** Todos los reclamos de garantía deben enviarse en un plazo de cinco años a partir de la fecha de compra al menudeo. El periodo de garantía para todas las piezas de servicio y máquinas reacondicionadas de fábrica DELTA® es de 180 días.

3. **CÓMO OBTENER SERVICIO.** Para obtener el servicio de garantía, debe regresar el producto defectuoso, por su propia cuenta, a un centro de servicio autorizado por la compañía para realizar el servicio de garantía (un “Centro de Servicio Autorizado DELTA®”) dentro del plazo del periodo de garantía aplicable, junto con un comprobante de compra aceptable, tal como el recibo original que indica la fecha de la compra o el número de registro del producto. La compañía se reserva el derecho a restringir el servicio de reclamación de garantía al país donde se realizó la compra y/o cobrar por el costo de exportar piezas de servicio o proporcionar servicio de garantía en un país diferente. Las compras en línea se consideran como realizadas en Estados Unidos. Para encontrar la ubicación de su Centro de Servicio Autorizado DELTA® más cercano, llame al Centro de Atención al Cliente de la compañía al (800) 223-7278.

4. EXCLUSIONES.

- La compañía no ofrece ninguna garantía a los productos comprados en condiciones usadas o dañadas.
- La compañía no garantiza ningún producto comprado fuera de los Estados Unidos o Canadá.
- La compañía no será responsable de ningún daño que haya resultado por el desgaste normal, maltrato, abuso o cualquier reparación o alteración realizada por cualquier persona excepto un Centro de Servicio Autorizado DELTA® o un representante designado del Centro de Atención al Cliente de la compañía.
- Todas las GARANTÍAS IMPLÍCITAS están expresamente limitadas al periodo de garantía identificado anteriormente.
- Bajo ninguna circunstancia se considerará a la compañía como responsable por daños INCIDENTALES O INDIRECTOS.
- Esta garantía limitada es la única garantía de la compañía y establece el recurso exclusivo del cliente con respecto a productos defectuosos; todas las demás garantías, expresas o implícitas, ya sea de comerciabilidad, idoneidad para un propósito o de otro tipo, están expresamente excluidas por la compañía, excepto según lo establecido anteriormente.

Algunos estados no permiten la exclusión o limitación de responsabilidad por daños incidentales o indirectos, ni la limitación de garantías implícitas; por lo tanto, la anterior limitación o exclusión podría no aplicarse en su caso. Esta garantía le otorga derechos legales específicos y es posible que usted tenga otros derechos que varían en ciertos estados o provincias. Para obtener más detalles sobre la cobertura de la garantía e información de la garantía de reparación, llame al (800) 223-7278. Para registrar sus productos en línea, lo animamos a visitar nuestra página web y registrarse para tener una cuenta de miembro DELTA GRATUITA en <http://www.deltamachinery.com/register>.

AMÉRICA LATINA: Esta garantía no se aplica a los productos vendidos en América Latina. Para los productos vendidos en América Latina, vea la información de garantía específica del país contenida en el embalaje, llame a la empresa local o consulte el sitio web para obtener información de garantía.



ASISTENCIA SOBRE GARANTÍA, SERVICIO O PIEZAS

Todas las máquinas y accesorios DELTA® están fabricados en cumplimiento de altos estándares de calidad y reciben el servicio técnico de una red de centros de servicio de fábrica de DELTA® y centros de servicio autorizados de DELTA®. Para obtener información adicional sobre su producto de calidad DELTA®, obtener asistencia sobre garantía, servicio o piezas, o para localizar el centro de servicio más cercano, llame al 1-800-223-7278.

PIEZAS DE REPUESTO

Utilice solamente piezas de repuesto idénticas. Para obtener una lista de las piezas o para hacer un pedido de piezas, visite nuestro sitio web en www.DeltaMachinery.com. También puede hacer un pedido de piezas desde su sucursal de la fábrica más cercana, el centro autorizado de servicio de garantía, o puede llamar al gerente de servicio técnico al número 1-800-223-7278 para recibir asistencia personalizada por parte de uno de nuestros expertos representantes.

REEMPLAZO GRATUITO DE LA ETIQUETA DE ADVERTENCIA

Si le faltan las etiquetas de advertencia o si se encuentran ilegibles, llame al 1-800-223-7278 para que se las reemplacen de manera gratuita.

WARNING

1. FOR YOUR OWN SAFETY READ AND UNDERSTAND INSTRUCTION MANUAL BEFORE OPERATING PLANER.
2. Always wear eye protection.
3. Keep hands away during operation.
4. Allow automatic feed to function properly.
5. Cutterhead must be at a complete stop before freeing workpiece or making any adjustments.
6. Do not cut deeper than 3/32 in. or plane material shorter than 15 in. in length.
7. Always keep knife and drive guards in place and in proper working condition.
8. Do not expose to rain or use in damp locations.

DPEC002261

SERVICIO TÉCNICO Y REPARACIONES

Todas las herramientas de calidad en algún momento necesitarán servicio técnico o reemplazo de las piezas. Para obtener información sobre DELTA® Power Equipment Corporation, sus sucursales de fábrica o para localizar un centro autorizado de servicio de garantía, visite nuestro sitio web en www.DeltaMachinery.com/service o llame a nuestro centro de atención al cliente al 1-800-223-7278. Todas las reparaciones realizadas en nuestros centros de servicio tienen garantía completa contra materiales o mano de obra defectuosos. La garantía no cubre las reparaciones realizadas por terceros. Cuando llame a este número también se puede encontrar respuestas a preguntas frecuentes.

También nos puede escribir para obtener información a: DELTA® Power Equipment Corporation, 2651 New Cut Rd Spartanburg, SC 29303 - Attention: Technical Service Manager. Asegúrese de incluir toda la información que figura en la placa de identificación de su herramienta (número de modelo, tipo, número de serie, código de fecha, etc.)



DELTA[®]
POWER EQUIPMENT CORPORATION

2651 New Cut Road
Spartanburg, South Carolina 29303
(800) 223-7278
www.DeltaMachinery.com

Copyright © 2013 DELTA[®] Power Equipment Corporation DPEC002724 - 12-10-13

Revised 05/03/16

