

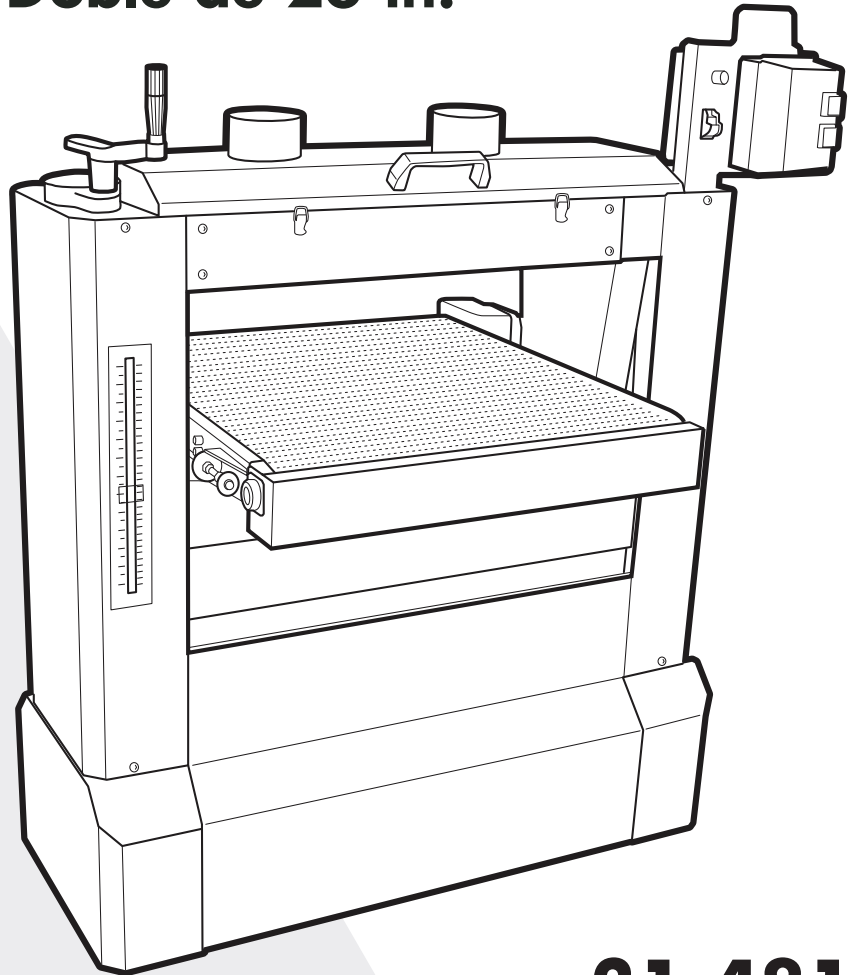


POWER EQUIPMENT CORPORATION

## 26 IN. DUAL DRUM SANDER

Ponceuse à double tambour de 66 cm

Lijadora de Tambor Doble de 26 in.



Français (18)

Español (34)

[www.DeltaMachinery.com](http://www.DeltaMachinery.com)

**Operating Instructions and Parts Manual**

Manuel d'utilisation

Manual de instrucciones

INSTRUCTIVO DE OPERACIÓN, CENTROS  
DE SERVICIO Y PÓLIZA DE GARANTÍA.

**▲ ADVERTENCIA:** LÉASE ESTE INSTRUCTIVO  
ANTES DE USAR EL PRODUCTO.

**31-481**



# TABLE OF CONTENTS

|                                    |          |   |           |
|------------------------------------|----------|---|-----------|
| IMPORTANT SAFETY INSTRUCTIONS..... | 2        | ROLLER PRESSURE.....                    | 12        |
| SAFETY GUIDELINES-DEFINITIONS..... | 2        | DRUM HEIGHT.....                        | 13        |
| GENERAL SAFETY RULES.....          | 3        | <b>OPERATION.....</b>                   | <b>13</b> |
| POWER CONNECTIONS.....             | 5        | <b>OPERATING TIPS.....</b>              | <b>13</b> |
| MOTOR SPECIFICATIONS.....          | 5        | DEPTH OF WOOD REMOVAL.....              | 13        |
| GROUNDING INSTRUCTIONS.....        | 5        | SANDING OF IMPERFECT STOCK.....         | 13        |
| EXTENSION CORDS.....               | 6        | STOCK FEEDING ANGLE.....                | 14        |
| FEATURES AND COMPONENTS.....       | 6        | MULTI-PIECE SANDING.....                | 14        |
| UNPACKING.....                     | 7        | FACE FRAMES AND RAISED PANEL DOORS..... | 14        |
| <b>ASSEMBLY.....</b>               | <b>8</b> | EDGE SANDING.....                       | 14        |
| SECURING SWITCH TO FRAME.....      | 8        | <b>SELECTING ABRASIVES.....</b>         | <b>14</b> |
| TABLE ELEVATION CRANK HANDLE.....  | 8        | <b>MAINTENANCE PROCEDURES.....</b>      | <b>15</b> |
| DUST COLLECT.....                  | 8        | ROUTINE INSPECTION.....                 | 15        |
| <b>ADJUSTMENTS.....</b>            | <b>9</b> | LUBRICATION.....                        | 15        |
| REPLACING THE SANDING BELT.....    | 9        | CLEANING THE SANDING BELT.....          | 15        |
| FEED BELT TRACKING.....            | 9        | <b>TROUBLESHOOTING.....</b>             | <b>15</b> |
| DRIVE BELT TENSION.....            | 10       | <b>ACCESSORIES.....</b>                 | <b>16</b> |
| REPLACING FEEDBELT.....            | 11       | <b>WARRANTY.....</b>                    | <b>16</b> |
| PARALLELISM OF SANDING DRUMS.....  | 12       | <b>FRANÇAIS.....</b>                    | <b>18</b> |
|                                    |          | <b>ESPAÑOL.....</b>                     | <b>34</b> |

## IMPORTANT SAFETY INSTRUCTIONS

**⚠ WARNING:** READ AND UNDERSTAND ALL WARNINGS AND OPERATING INSTRUCTIONS BEFORE THIS EQUIPMENT. Failure to follow all instructions listed below, may result in electric shock, fire, and/or serious personal injury or property damage.

Woodworking can be dangerous if safe and proper operating procedures are not followed. As with all machinery, there are certain hazards involved with the operation of the product. Using the machine with respect and caution will considerably lessen the possibility of personal injury. However, if normal safety precautions are overlooked or ignored, personal injury to the operator may result. Safety equipment such as guards, push sticks, hold-downs, featherboards, goggles, dust masks and hearing protection can reduce your potential for injury. But even the best guard won't make up for poor judgment, carelessness or inattention. **Always use common sense** and exercise caution in the workshop. If a procedure feels dangerous, don't try it, Figure out an alternative procedure that feels safer. **REMEMBER:** Your personal safety is your responsibility. For additional information please visit our website at [www.DeltaMachinery.com](http://www.DeltaMachinery.com).



**⚠ WARNING:** This machine was designed for certain applications only. DELTA® Power Equipment Corporation strongly recommends that this machine not be modified and/or used for any application other than that for which it was designed. If you have any questions relative to a particular application, DO NOT use the machine until you have first contacted DELTA® to determine if it can or should be performed on the product.

If you have any questions relative to its application DO NOT use the product until you have written DELTA® Power Equipment Corporation and we have advised you. Contact us online at [www.DeltaMachinery.com](http://www.DeltaMachinery.com) or by mail at Technical Service Manager, DELTA® Power Equipment Corporation, 2651 New Cut Road, Spartanburg, SC 29303.

Information regarding the safe and proper operation of this tool is available from the following sources:

- Power Tool Institute, 1300 Sumner Avenue, Cleveland, Ohio 44115-2851 or online at [www.powertoolinstitute.com](http://www.powertoolinstitute.com)
- National Safety Council, 1121 Spring Lake Drive, Itasca, IL 60143-3201
- American National Standards Institute, 25 West 43rd Street, 4 floor, New York, NY 10036 [www.ansi.org](http://www.ansi.org) - ANSI 01.1 Safety Requirements for Woodworking Machines
- U.S. Department of Labor regulations [www.osha.gov](http://www.osha.gov)

**Note:** This equipment has been tested and found to comply with the limits for a Class A digital device, pursuant to part 15 of the FCC Rules. These limits are designed to provide reasonable protection against harmful interference when the equipment is operated in a commercial environment. This equipment generates, uses, and can radiate radio frequency energy and, if not installed and used in accordance with the instruction manual, may cause harmful interference to radio communications. Operation of this equipment in a residential area is likely to cause harmful interference in which case the user will be required to correct the interference at his own expense.

# SAFETY GUIDELINES - DEFINITIONS

This manual contains information that is important for you to know and understand. This information relates to protecting YOUR SAFETY and PREVENTING EQUIPMENT PROBLEMS. To help you recognize this information, we use the symbols below. Please read the manual and pay attention to these sections.

**⚠ DANGER:** Indicates an imminently hazardous situation which, if not avoided, will result in death or serious injury.

**⚠ WARNING:** Indicates a potentially hazardous situation which, if not avoided, could result in death or serious injury.

**⚠ CAUTION:** Indicates a potentially hazardous situation which, if not avoided, may result in minor or moderate injury.

**CAUTION** Used without the safety alert symbol indicates potentially hazardous situation which, if not avoided, may result in property damage.

## GENERAL SAFETY RULES

**⚠ WARNING:** WARNING FAILURE TO FOLLOW THESE RULES MAY RESULT IN SERIOUS PERSONAL INJURY.

- **FOR YOUR OWN SAFETY, READ AND UNDERSTAND THE INSTRUCTION MANUAL BEFORE OPERATING THE UNIT.** Learn the unit's application and limitations as well as the specific hazards peculiar to it.
- **KEEP WORK AREA CLEAN.** Cluttered areas and benches invite accidents.
- **DON'T USE IN DANGEROUS ENVIRONMENT.** Don't use this unit in damp or wet locations, or expose it to rain. Keep work area well-lighted.
- **KEEP CHILDREN AND VISITORS AWAY.** All children and visitors should be kept a safe distance from work area.
- **DISCONNECT UNIT** before servicing.
- **CHECK DAMAGED PARTS.** Before further use of the unit, properly repair or replace any part that is damaged.

**⚠ WARNING:** FAILURE TO FOLLOW THESE RULES MAY RESULT IN SERIOUS INJURY.

1. Read and understand the warnings posted on the machine and in this manual. Failure to comply with all of these warnings may cause serious injury.
  2. Replace the warning labels if they become obscured or removed.
  3. This Dual Drum Sander is designed and intended for use by properly trained and experienced personnel only. If you are not familiar with the proper and safe operation of a drum sander, do not use until proper training and knowledge have been obtained.
  4. Do not use this machine for other than its intended use. If used for other purposes, Delta Power Equipment Company, Inc. disclaims any real or implied warranty and holds itself harmless from any injury that may result from that use.
  5. Always wear approved safety glasses/face shields while using this Dual Drum Sander.
  6. Before operating this drum sander, remove tie, rings, watches and other jewelry, and roll sleeves up past the elbows. Remove all loose clothing and confine long hair. Non-slip footwear or anti-skid floor strips are recommended. Do not wear gloves.
  7. Wear ear protectors (plugs or muffs) during extended periods of operation.
  8. Some dust created by power sanding, sawing, grinding, drilling and other construction activities contain chemicals known to cause cancer, birth defects or other reproductive harm. Some examples of these chemicals are:
    - Lead from lead based paint.
    - Crystalline silica from bricks, cement and other masonry products.
    - Arsenic and chromium from chemically treated lumber.Your risk of exposure varies, depending on how often you do this type of work. To reduce your exposure to these chemicals, work in a well-ventilated area and work with approved safety equipment, such as face or dust masks that are specifically designed to filter out microscopic particles.
1. Do not operate this machine while tired or under the influence of drugs, alcohol or any medication.
  2. Make certain the switch is in the **OFF** position before connecting the machine to the power source.
  3. Make certain the machine is properly grounded.
  4. Make all machine adjustments or maintenance with the machine unplugged from the power source.

*continued on page 4*

5. Form a habit of checking to see that all extra equipment such as adjusting keys, wrenches, scrap, stock, and cleaning rags are removed away from the machine before turning on.
6. Keep safety guards in place at all times when the machine is in use. If removed for maintenance purposes, use extreme caution and replace the guards immediately when maintenance is complete.
7. Make sure the drum sander is firmly secured to the floor before use.
8. Check damaged parts. Before further use of the machine, a guard or other part that is damaged should be carefully checked to determine that it will operate properly and perform its intended function. Check for alignment of moving parts, binding of moving parts, breakage of parts, mounting and any other conditions that may affect its operation. A guard or other part that is damaged should be properly repaired or replaced.
9. Provide for adequate space surrounding work area and non-glare, overhead lighting.
10. Keep the floor around the machine clean and free of scrap material, oil and grease.
11. Keep visitors a safe distance from the work area. Keep children away.
12. Make your workshop child proof with padlocks, master switches or by removing starter keys.
13. Give your work undivided attention. Looking around, carrying on a conversation and “horse-play” are careless acts that can result in serious injury.
14. Maintain a balanced stance at all times so that you do not fall or lean against the sanding belt or other moving parts. Do not overreach or use excessive force to perform any machine operation.
15. Use the right tool at the correct speed and feed rate. Do not force a tool or attachment to do a job for which it was not designed. The right tool will do the job better and safer.
16. Use recommended accessories; improper accessories may be hazardous.
17. Maintain machinery with care. Follow instructions for lubricating and changing accessories.
18. Turn off the machine before cleaning. Use a brush or compressed air to remove dust or debris — do not use your hands.
19. Do not stand on the machine. Serious injury could occur if the machine tips over.
20. Never leave the machine running unattended. Turn the power off and do not leave the machine until it comes to a complete stop.
21. At all times hold the stock firmly.
22. Do not use this sander for other than its intended use. If used for other purposes, Delta Power Equipment Company Inc., disclaims any real or implied warranty and holds itself harmless for any injury or damage which may result from that use.

**SAVE THESE INSTRUCTIONS.**  
Refer to them often and use them to instruct others.

# POWER CONNECTIONS

A separate electrical circuit should be used for your machines. This circuit should not be less than #12 wire and should be protected with a 20 Amp time lag fuse. If an extension cord is used, use only 3-wire extension cords which have 3-prong grounding type plugs and matching receptacle which will accept the machine's plug. Before connecting the machine to the power line, make sure the switch (s) is in the "OFF" position and be sure that the electric current is of the same characteristics as indicated on the machine. All line connections should make good contact. Running on low voltage will damage the machine.

**⚠ DANGER:** DO NOT EXPOSE THE MACHINE TO RAIN OR OPERATE THE MACHINE IN DAMP LOCATIONS.

# MOTOR SPECIFICATIONS

Your machine is wired for 230 volts, 60 HZ alternating current. Before connecting the machine to the power source, make sure the switch is in the "OFF" position.

**⚠ DANGER:** THIS MACHINE MUST BE GROUNDED WHILE IN USE TO PROTECT THE OPERATOR FROM ELECTRIC SHOCK.

# GROUNDING INSTRUCTIONS

## 1. All grounded, cord-connected machines:

In the event of a malfunction or breakdown, grounding provides a path of least resistance for electric current to reduce the risk of electric shock. This machine is equipped with an electric cord having an equipment-grounding conductor and a grounding plug. The plug must be plugged into a matching outlet that is properly installed and grounded in accordance with all local codes and ordinances.

Do not modify the plug provided - if it will not fit the outlet, have the proper outlet installed by a qualified electrician.

Improper connection of the equipment-grounding conductor can result in risk of electric shock. The conductor with insulation having an outer surface that is green with or without yellow stripes is the equipment-grounding conductor. If repair or replacement of the electric cord or plug is necessary, do not connect the equipment-grounding conductor to a live terminal.

Check with a qualified electrician or service personnel if the grounding instructions are not completely understood, or if in doubt as to whether the machine is properly grounded.

Use only 3-wire extension cords that have 3-prong grounding type plugs and matching 3-conductor receptacles that accept the machine's plug, as shown in Fig. A.

Repair or replace damaged or worn cord immediately.

**⚠ DANGER:** IN ALL CASES, MAKE CERTAIN THE RECEPTACLE IN QUESTION IS PROPERLY GROUNDED. IF YOU ARE NOT SURE, HAVE A QUALIFIED ELECTRICIAN CHECK THE RECEPTACLE.

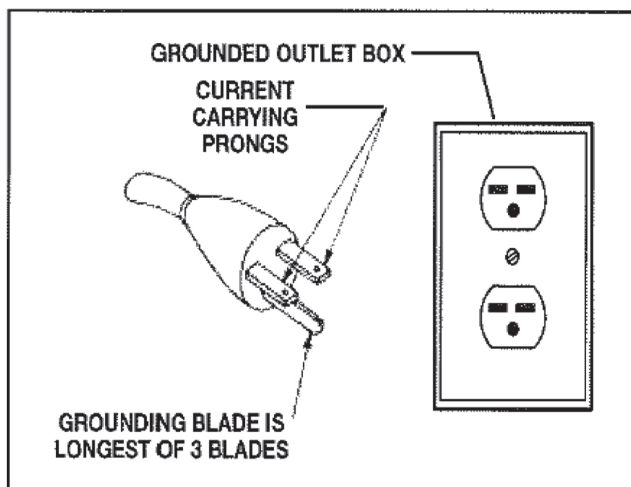


FIG. A

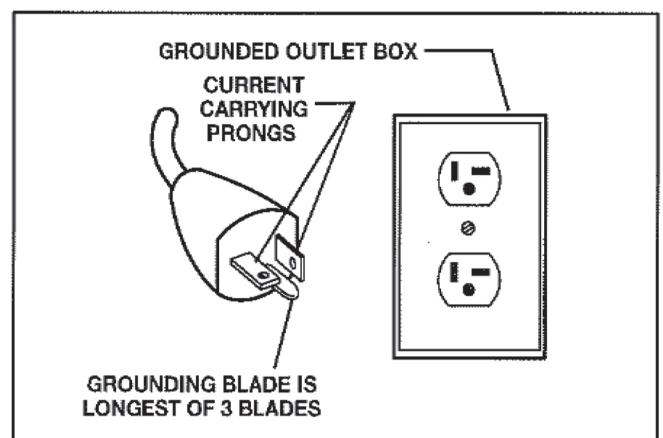


FIG. B

# EXTENSION CORDS

**⚠CAUTION:** Use proper extension cords. Make sure your extension cord is in good condition and is a 3-wire extension cord which has a 3-prong grounding type plug and matching receptacle which will accept the machine's plug. When using an extension cord, be sure to use one heavy enough to carry the current of the machine. An undersized cord will cause a drop in line voltage, resulting in loss of power and overheating. The table on the right shows the correct gauge to use depending on the cord length. If in doubt, use the next heavier gauge. The smaller the gauge number, the heavier the cord.

| MINIMUM GAUGE EXTENSION CORD                                |       |                                      |                         |
|---|-------|--------------------------------------|-------------------------|
| RECOMMENDED SIZES FOR USE WITH STATIONARY ELECTRIC MACHINES |       |                                      |                         |
| Ampere Rating   | Volts | Total Length of Cord in Feet         | Gauge of Extension Cord |
| 0-6   | 120   | up to 25                             | 18 AWG                  |
| 0-6   | 120   | 25-50                                | 16 AWG                  |
| 0-6   | 120   | 50-100                               | 16 AWG                  |
| 0-6   | 120   | 100-150                              | 14 AWG                  |
| 6-10  | 120   | up to 25                             | 18 AWG                  |
| 6-10  | 120   | 25-50                                | 16 AWG                  |
| 6-10  | 120   | 50-100                               | 14 AWG                  |
| 6-10  | 120   | 100-150                              | 12 AWG                  |
| 10-12   | 120   | up to 25                             | 16 AWG                  |
| 10-12   | 120   | 25-50                                | 16 AWG                  |
| 10-12   | 120   | 50-100                               | 14 AWG                  |
| 10-12   | 120   | 100-150                              | 12 AWG                  |
| 12-16   | 120   | up to 25                             | 14 AWG                  |
| 12-16   | 120   | 25-50                                | 12 AWG                  |
| 12-16   | 120   | GREATER THAN 50 FEET NOT RECOMMENDED |                         |

FIG. C

# KEY FEATURES AND COMPONENTS

1. Variable speed feed belt
2. 3HP continuous duty motor
3. Dual 26" drums
4. Sanding elevation cursor
5. Elevation crank handle
6. Switch assembly

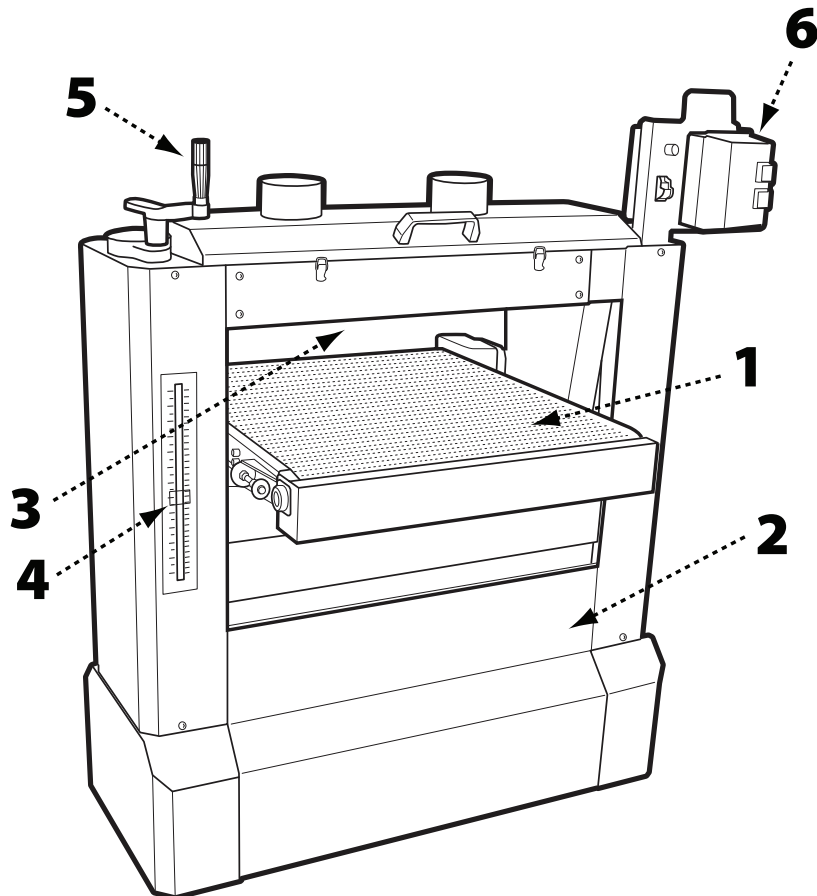


FIG. 1

# FUNCTIONAL DESCRIPTION

Model 31-481 DELTA® 26" Dual Drum Sander is specifically designed to handle both rough and final sanding processes in a single pass. This machine features an adjustable height automatic feed table and comes with 80-grit and 120-grit pre-cut sanding belts already installed. This dual drum sander is powered by a 3HP continuous duty sealed motor with a variable speed feed that enables you work at 3-20 S.F.P.M. The wide feed belt accepts stock as big as 25 ½" and allows you to sand pieces up to 12 ¼" thick.

# PRODUCT SPECIFICATIONS

| DRUM MOTOR SPECIFICATIONS      |  |
|--------------------------------|--|
| Type                           | Induction Ball bearing/<br>Continuous Duty |
| Horsepower                     | 3HP  |
| Amps                           | 16A  |
| Voltage                        | 230V                                       |
| Phase                          | Single                                     |
| Hertz                          | 60Hz                                       |
| RPM                            | 3,450                                      |
| BELT FEED MOTOR SPECIFICATIONS |  |
| Type                           | Universal                                  |
| Horsepower                     | 1/6  |
| PRODUCT SPECIFICATIONS         |  |
| Maximum sanding width          | 25-1/2"                                    |
| Maximum board thickness        | 12-1/4"                                    |
| Minimum board thickness        | ¼"   |
| Minimum board length           | 6"   |
| Feed Speed                     | 3-20 FPM (variable)                        |

| Number of Sanding Drums | 2             |
|-------------------------|---------------|
| Drum Size               | 5" x 26"      |
| Drum Speed              | 1,550 RPM     |
| Dust Ports              | 2-4"          |
| PRODUCT DIMENSIONS      |               |
| Footprint               | 17-3/4" x 43" |
| Length                  | 31"           |
| Width                   | 46"           |
| Height                  | 53"           |
| Weight                  | 485 lbs.      |
| SHIPPING DIMENSIONS     |               |
| Carton Type             | Wooden Crate  |
| Length                  | 33"           |
| Width                   | 48"           |
| Height                  | 55"           |
| Gross Weight            | 535 lbs.      |

# UNPACKING

**⚠ WARNING:** The machine is heavy, be careful when removing it from the shipping container! Failure to comply may cause serious injury and/or damage to the sander and/or property!

Your DELTA® Dual Drum Sander comes packed in a single container. Use a safety strap to avoid tip over when lifting machine. Check shipping carton and machine for damage before unpacking.

Open the shipping container. Carefully remove packaging materials, parts and machine from shipping carton. Always check for and remove protective shipping materials around motors and moving parts. Lay out all parts on a clean work surface and check that all parts are present and in good condition:

## DESCRIPTION (QUANTITY)

Delta 26" Dual Drum Sander (1)  
 12mm Open End Wrench (1)  
 Elevation Handle (1)  
 5mm Hex Wrench (1)  
 6mm T-Handle Wrench (1)  
 2mm T-Handle Wrench (1)  
 Elevation Bracket (1)

Compare the items to inventory figures; verify that all items are accounted for before discarding the shipping box. Report any missing or damaged parts to your distributor or dealer. Prior to tool assembly and use, read this manual thoroughly to familiarize yourself with proper assembly, maintenance and safety procedures.

Remove any protective materials and coatings from all of the parts and the drum sander. The protective coatings can be removed by spraying WD-40 on them and wiping it off with a soft cloth. This may need to be redone several times before all of the protective coatings are removed completely.

**⚠ WARNING:** If any parts are missing, do not attempt to plug in the power cord and turn "ON" the machine. The machine should only be turned "ON" after all the parts have been obtained and installed correctly.

# ASSEMBLY

## TOOLS REQUIRED

- Flat head screw driver
- 10mm open-end wrench

## SECURE SWITCH BOX TO FRAME

**Tools Required:** 10mm open-end wrench

**Parts:** None

**Hardware Needed:** Two 10mm hex head screws

1. Locate the two threaded holes on the upper right side of the machine as shown in Fig. 2.
2. Attach the two 10mm hex head screws to the mounting plate, leaving about 1/8" between the screw head and mounting plate.
3. Mount switch assembly (A) to the machine frame by aligning the keyholes (B) in the switch assembly over the screw heads and pushing the assembly back and into position.
4. Tighten screws using 10mm open-end wrench.

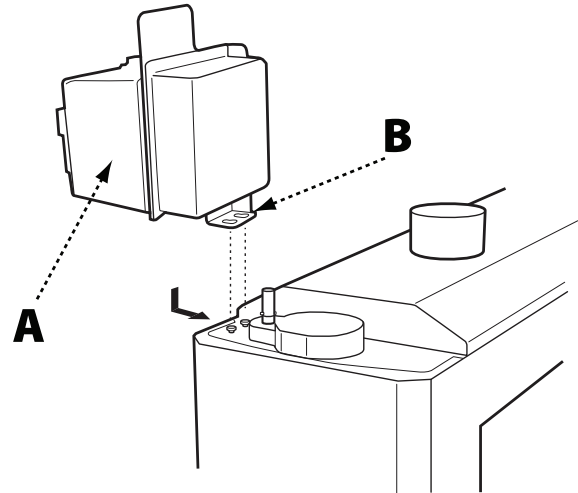


FIG. 2

## ASSEMBLE TABLE ELEVATION CRANK AND HANDLE

**Tools Required:** None

**Parts:** Table Elevation Crank

Table Elevation Handle

**Hardware Needed:** None

1. Install the table elevation crank (C) by aligning the groove in the bottom of the crank with the pin located on the shaft (D). See Fig. 3.
2. Screw the table elevation handle into the threaded hole in the table elevation crank.

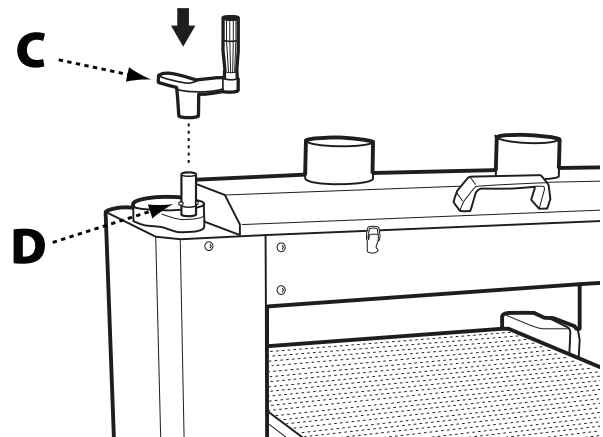


FIG. 3

## CONNECT DUST COLLECTOR TO DUST COLLECTION PORT

**Tools Required:** Flat head screwdriver

**Parts:** None

**Hardware Needed:** Two 4" Ring Clamps (not provided)

Your DELTA® Dual Drum Sander is equipped with two 4-inch dust collection ports. These must be connected to dust collector hoses to ensure safe operation.

**⚠ WARNING:** Do not attempt to operate this tool without first connecting it to an adequate dust collection system.

1. Fit a 4" ring clamp over the end of each dust collection hose.
2. Place a dust collection hose over each dust collection port and tighten ring clamp with the flat head screwdriver.



# ADJUSTMENTS

## TO REPLACE THE SANDING BELT

1. Lift the upper guard up and tilt it toward the rear of the machine to expose the drums.
2. Locate the spring-loaded locking clamp (A) on the right end of the drum. Squeeze the clamp open and remove the end of the sanding belt (B) from the drum slot. See Fig. 4.
3. Slowly pull the old sanding belt off the drum.
4. Squeeze the spring-loaded locking clamp on the left end of the drum and remove the old sanding belt.
5. Squeeze the spring-loaded locking clamp on the left end of the drum and insert the end of the new sanding belt approximately 2 inches into the drum slot.
6. Release the clamp to lock the belt end in place.
7. Rolling the roller by hand, carefully wind the sanding belt around the drum, making sure to keep it snug. The edges of the belt should meet without overlapping.
8. Squeeze the locking clamp on the right end of the drum and insert as much of the end of the sanding belt into the slot as possible.
9. Release the clamp to lock the belt in place.
10. Roll the roller by hand to ensure the belt is snug and the edges meet without overlapping.

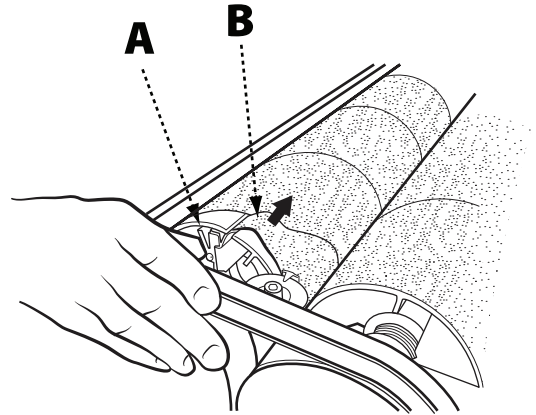


FIG. 4

**NOTE:** The Dual Drum Sander is designed to achieve coarse and fine sanding in a single pass. Therefore, the coarser sanding belt should always be installed on the front roller with the finer belt on the rear roller.

## TO ADJUST THE FEED BELT TRACKING

For proper stock feed, both sides of the feed belt must travel at exactly the same rate. If the feed belt tracks to the right or left during operation, you will need to adjust the tension.

**NOTE:** If the belt tracks to the left, tighten the left tensioning bolt. If it tracks to the right, tighten the right tensioning bolt.

1. Locate the feed belt tensioning bolts as shown in Fig. 5.
2. Turn the sander on and, depending on which direction the feed belt is tracking, use a 6mm Allen wrench to tighten either the left or right adjustment bolt in 1/4-turn increments until the feed belt tracks evenly.

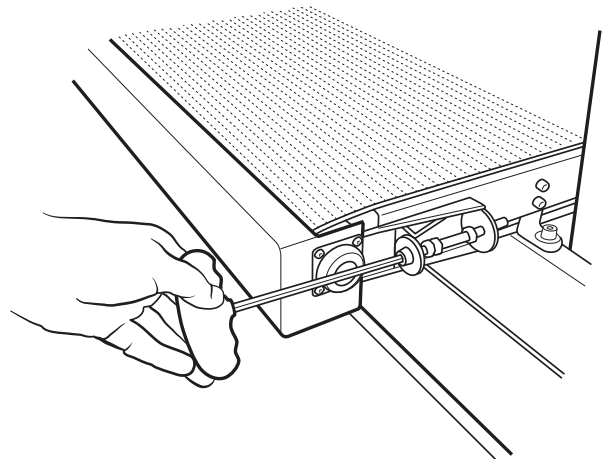


FIG. 5

# ADJUSTMENTS

## TO ADJUST DRIVE BELT TENSION

1. Remove the elevation cursor by unscrewing the retaining screw.
2. Remove the eight Phillips head bolts and washers securing the left and right side guards (A) to the machine and remove the guards. See Fig. 6.
3. Use a 6mm Allen wrench to remove the four hex cap bolts and washers securing the bottom guard (B) to the machine. See Fig. 7.
4. Raise the telescoping panels (C) high enough to expose the motor mount (D). See Fig. 7. Prop up using a scrap block of wood.
5. Locate the two M12 nuts (E) that raise and lower the motor. See Fig. 7.
6. To increase tension on the drive belts, loosen the bottom nuts then tighten the top nuts.
7. Drop the telescoping panels back into place and re-secure to the bottom guard.
8. Re-attach the side guards and elevation cursor.

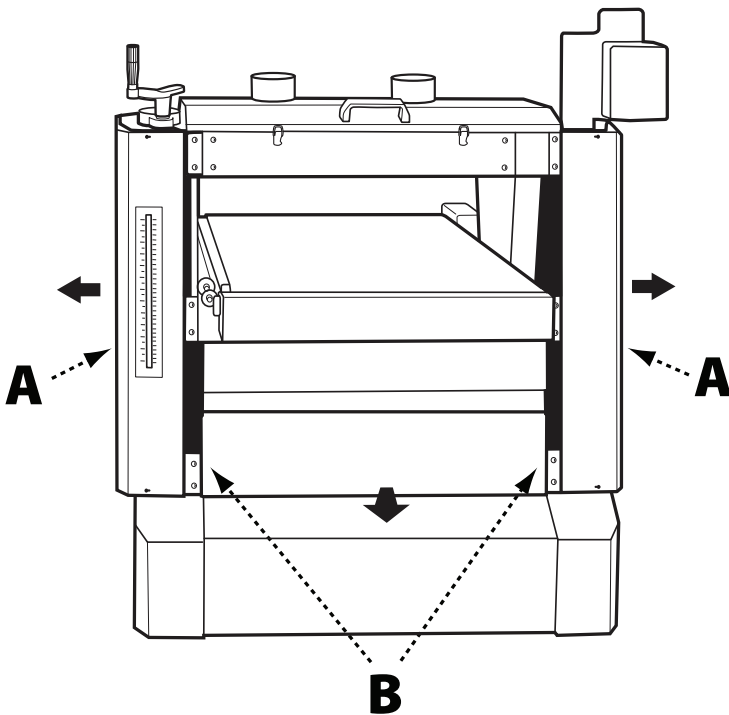


FIG. 6

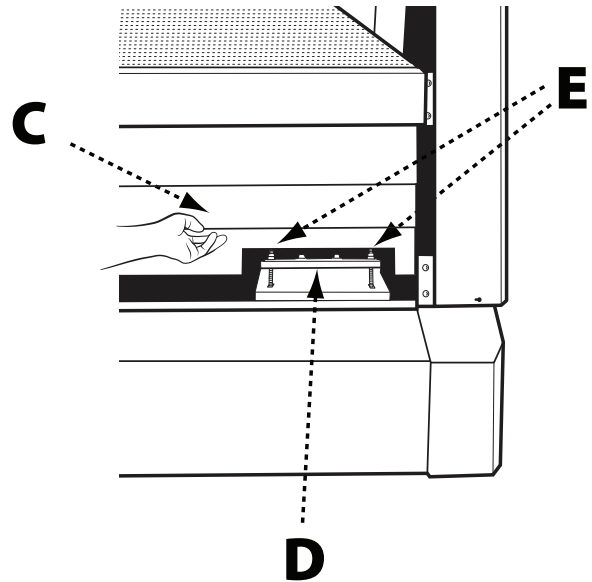


FIG. 7

# ADJUSTMENTS

## TO REPLACE THE FEED BELT

**⚠ WARNING:** This step requires two adults. The feed table is heavy, be careful when disconnecting and removing it from the machine. Failure to comply may cause serious injury and/or damage to the sander and/or property!

1. Using the table elevation crank and handle, lower the table as far as it will go.
2. Release tension on the feed belt by backing off the locking nuts (A) on the feed belt adjustment bolts (Fig. 8) and then tightening the feed belt adjustment bolts (B) until they are loose enough to remove the feed belt assembly.
3. Loosen but do not remove the eight Phillips head screws (C) holding the bearings to either side of the front of the feed table. See Fig. 9.
4. Remove the front guard (D) by sliding it forward.
5. Locate and remove the four 6mm hex head screws (E) securing the feed table to the base. See Fig. 10.
6. With the aid of a second adult, carefully remove the feed table through the rear of the machine being careful to angle it away from the motor housing.
7. Position the feed table on its side and remove the worn feed belt.
8. Carefully slide the new feed belt into place.
9. Slide feed belt assembly back onto machine base through the rear, being careful not to damage motor housing.
10. Replace and tighten the four 6mm hex cap head screws to secure the feed table to the machine base.
11. Replace the front guard and retighten the Phillips head screws on each bearing.
12. Re-tension the feed belt.
13. Adjust the tracking as described on page 9.

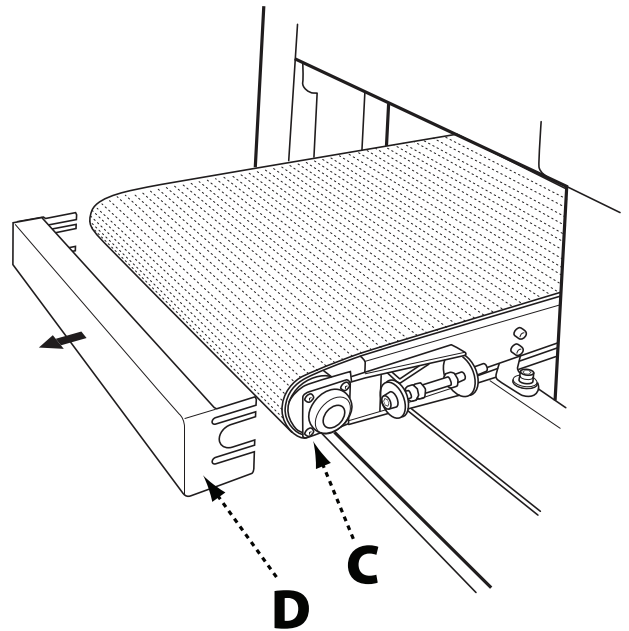


FIG. 9

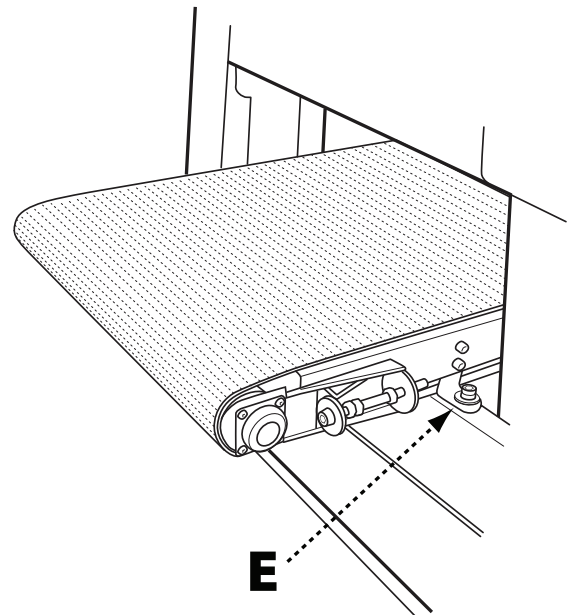


FIG. 10

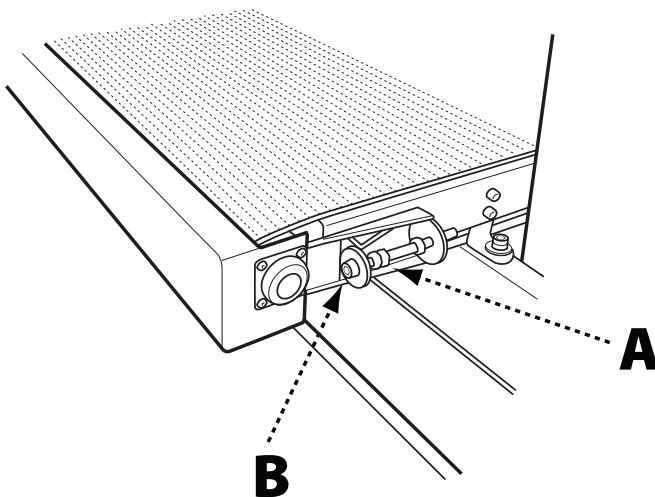


FIG. 8

# ADJUSTMENTS

## TO ADJUST PARALLELISM OF SANDING DRUMS

The front sanding drum has been factory adjusted and needs no further adjustment. The rear sanding drum must be adjusted for parallelism.

1. Lift the upper guard up and tilt it toward the rear of the machine to expose the sanding drums.
2. Using the 6mm wrench provided, rotate the cap screws, indicated in Fig. 11, on either end of the rear drum.
3. Turning the cap screws clockwise will raise the drum while turning it counterclockwise will lower the drum.
4. Repeat this dial setting on the opposite end of the drum.
5. Replace the upper guard to its original position over the drums.

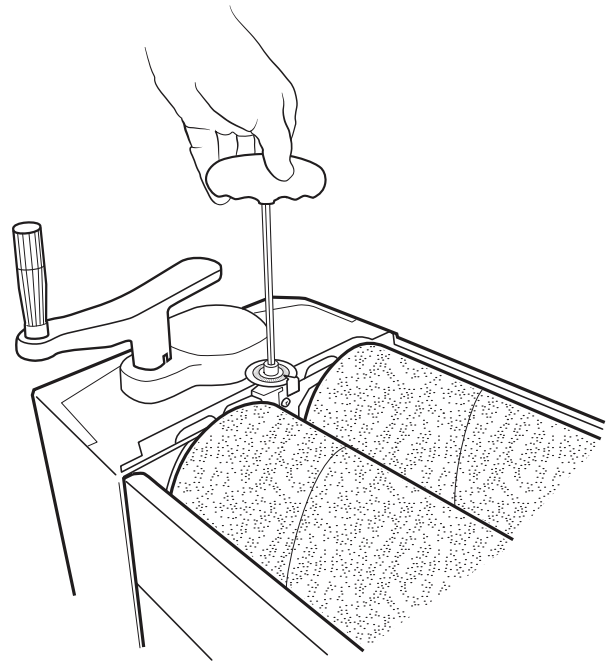


FIG. 11

**NOTE:** For proper operation of the machine, the dial settings at both ends of the drum must be identical.

## TO ADJUST ROLLER PRESSURE

The pressure rollers maintain tension upon the workpiece as it passes through the machine. If the stock refuses to pass through the machine, or the finished surface is uneven, the tension on the pressure rollers may need adjusting.

1. Lift the upper guard up and tilt it toward the rear of the machine to expose the sanding drums.
2. Locate the roller pressure adjustment screws as indicated in Fig. 12.
3. Using a Phillips head screw driver, turn the screws clockwise to increase the roller pressure on the workpiece; or counterclockwise to decrease the pressure.
4. Adjust both sides of the pressure rollers to ensure parallelism with the drums.
5. Replace the upper guard to its original position over the drums.

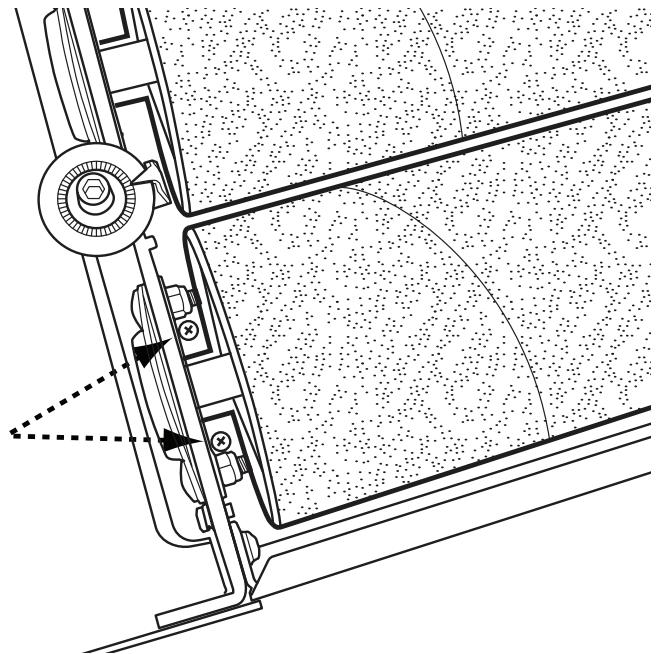


FIG.12

**CAUTION:** Do not overtighten the adjustment screw. Too much roller pressure will prevent the workpiece from passing through the machine, and may cause the feed belt to stop.

# ADJUSTMENTS

## TO ADJUST DRUM HEIGHT

In order to accommodate different abrasive grits on the drums, the height of the drums from the workpiece must vary. The height of the front drum has been factory set and should not be adjusted. The back drum is designed for easy adjustment.

1. Lift the upper guard up and tilt it toward the rear of the machine to expose the sanding drums.
2. Locate the drum height adjustment screw as shown in Fig. 13.
3. Rotate the adjustment screw to the desired measurement.
4. Repeat this same adjustment at the opposite end of the roller to maintain parallel orientation to the front drum.
5. Replace the upper guard to its original position over the drums.

**NOTE:** For proper operation of the machine, the dial settings at both ends of the drum must be identical.

**IMPORTANT:** The chart at the right shows the proper settings based upon sanding grits.

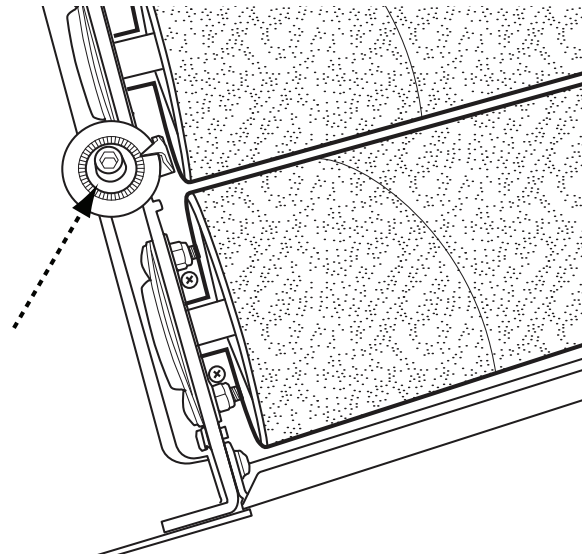


FIG. 13

| Front Grit / Rear Grit            | Setting (mm) |
|-----------------------------------|--------------|
| 80/100, 120/150, 120/180, 150/220 | .15          |
| 80/120, 100/150, 100/180          | .30          |
| 60/100, 36/38                     | .40          |
| 36/120                            | .56          |
| 36/60                             | .76          |
| 36/80                             | .9           |

# OPERATION

The basic operating procedure for the Dual Drum Sander is as follows:

1. Establish the depth of wood removal and set table height.
2. Start drums.
3. Start feed belt and select proper feed rate.
4. Ensure dust collection system is running.
5. Feed stock through machine.

# OPERATING TIPS

## DETERMINING DEPTH OF WOOD REMOVAL

Given the variables of grit abrasion, wood type, and feed rate, determining proper depth of removal may take some experimentation. For best results, use scrap wood to practice sanding and to develop skill and familiarity with the machine before doing finish work. Also consider any cups and/or crowns in the workpiece.

A good rule of thumb when sanding with grits finer than 80 is to lower the drum so it contacts the workpiece but drum can still be rotated by hand. For grits coarser than 80, lower the drum slightly more.

## SANDING IMPERFECT STOCK

When sanding stock with a cup or crown, place the crown up. This will stabilize the stock to help prevent tipping or rocking during sanding. After the crown has been removed and the top is flat, turn the stock over and sand the opposite side. To avoid personal injury, take special care when sanding stock that is twisted, bowed, or otherwise varies in thickness from end to end.

If possible, support such stock as it is being sanded to keep it from slipping or tipping. Use an extra roller stand, help from another person, or hand pressure on the stock to minimize potentially hazardous situations.

## OPERATING TIPS

### STOCK FEEDING ANGLE

Some pieces, because of their dimensions, will need to be fed into the machine at a 90-degree angle (perpendicular to the drums). However, even a slight offset angle of the stock will provide for more effective stock removal. The optimum feeding angle is about 60-degrees. Angling the workpiece for stock removal provides other advantages, such as less loading of certain areas of the drums due to glue lines or mineral streaks in the stock, more even wear of abrasive strips, potentially faster feed rates, and lighter loads on the motor. For the best final finish, however, the stock should be fed with the grain on the final one or two passes.

### MULTIPLE-PIECE SANDING

When sanding multiple pieces simultaneously, make sure to stagger (step) the pieces across the width of the feed belt. Multiple pieces should also be of similar thickness and this helps to ensure consistent contact with the pressure rollers.

### SANDING FACE FRAMES AND RAISED PANEL DOORS

It is important to have the proper abrasive contact when doing this type of sanding. If the machine is set to take an excessive depth of cut, the result can be a gouge or dip as the drum goes from sanding the rails at full width to sanding just a few inches of width of the stiles.

### EDGE SANDING

When edge sanding, the sander will mimic the opposite edge of the stock which is lying on the feed belt. Because of this, it is important for the stock edge to have been ripped at the proper angle to the face before the sanding process. When edge sanding small stock, clamp several pieces together to prevent them from slipping on the feed belt.

## SELECTING THE PROPER ABRASIVES

The abrasive material you choose will have a substantial effect on the performance of your sander. Variations in paper type, weight, coating and durability all contribute to achieving your desired finish.

As with any sanding operation, first begin sanding with a coarser grit, depending on the roughness of the stock or the amount of stock to be removed. Then progressively work toward finer grits. This means if you are using two different grits on your 31-481 Dual Drum Sander, the coarser grit should always be placed on the front drum.

The amount of stock to be removed is a major consideration when initially choosing the grit grade. Grits 36 and 60 are primarily designed for stock removal; grits over 100 are primarily finishing grits designed to remove the scratch pattern from the previous grit used.

For best results, never skip more than one grit grade when progressing through a sanding sequence. For fine work, such as furniture, try not to skip any grit grades during the sanding process. In general, premium quality abrasives will produce a better finish with a less noticeable scratch pattern.

**CAUTION:** Grits that are too fine can sometimes burnish the wood and leave a glossy surface which will not accept stains evenly. This will vary by type of wood. Oak, for example, is susceptible to burnishing because of its open pores.

### READY-TO-CUT ABRASIVE STRIPS

| DESCRIPTION        | NORMAL USE   |
|--------------------|--|
| 60 Grit Sandpaper  | surfacing and dimensioning boards, trueing warped boards |
| 80 Grit Sandpaper  | surfacing, light dimensioning, removing planer ripples   |
| 120 Grit Sandpaper | light surfacing, minimal stock removal                   |
| 150 Grit Sandpaper | finish sanding, minimal stock removal                    |
| 180 Grit Sandpaper | finish sanding only, not for stock removal               |
| 220 Grit Sandpaper | finish sanding only, not for stock removal.              |

# RECOMMENDED MAINTENANCE PROCEDURES

## ROUTINE INSPECTION

It is recommended that you periodically inspect your DELTA® Dual Drum Sander as a precautionary action. During this time, check all hardware such as bolts, nuts and screws to ensure they are properly tightened. Also verify that the sanding belts and drive belts are mounted properly and have not become loose or torn.

Also take this opportunity to inspect for dust and/or wood particles that may have accumulated on or in the machine.

## LUBRICATION

The table height adjustment screw shafts, located at either end of the machine must be well lubricated with grease at all times. In order to access, inspect and lubricate the screw shafts, it is necessary to remove the two side guards located on either end of the machine.

To remove the side guards:

1. Remove the elevation cursor by unscrewing the retaining screw.
2. Remove the eight Phillips head bolts and washers securing the left and right side guards to the machine and remove the guards. See Fig. 14.

3. Re-attach side guards and elevation cursor.

## CLEANING THE SANDING BELTS

Regularly clean the sanding belts on the drums with commercially available cleaning sticks, following the manufacturer's directions. When cleaning, also brush the stick crumbs from the sanding drum while it is still rotating.

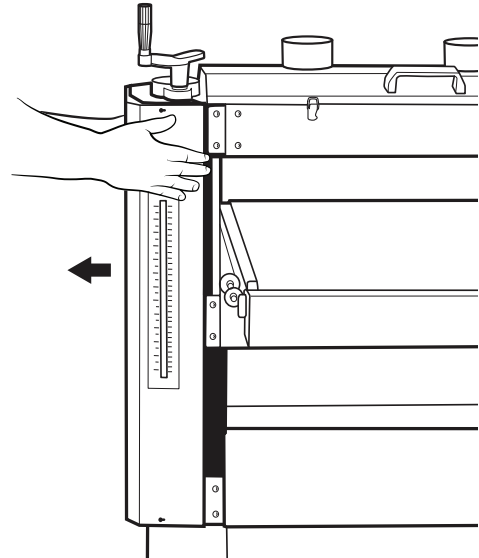


FIG. 14

## TROUBLESHOOTING GUIDE

| PROBLEM   | POTENTIAL CAUSE  | SOLUTION  |
|---|--|---|
| Sanding surface clogs too quickly.                    | Sanding grit too fine.<br>Too much material being removed at once.<br>Dirty board surface.<br>Insufficient dust collection.<br>Board contains too much moisture.<br>Worn sanding belt. | Change to a coarser grit.<br>Adjust table height.<br>Ensure board is free of debris prior to sanding.<br>Inspect dust collection system.<br>Properly dry stock before sanding.<br>Replace sanding belt (Page 9) |
| Sanding belt tears.                                   | Drums not parallel to feed table.<br>Sandpaper edges overlapped.<br>Tape is slipping.<br>Too much material is removed at once.   | Re-align drums (Page 11)<br>Re-install sanding belt.<br>Rewind the loose belt on the drum.<br>Lower the table height.   |
| Rounding on the edges.                                | Too much material is removed at once.  | Lower the table height.   |
| Uneven thickness on right and left side of the board. | Drums are not parallel to feed table.<br>Uneven wear of sanding paper.   | Re-align drums (Page 11)<br>Replace sanding belt.   |
| Stock slips on the feed belt.                         | Too much material is removed at once.<br>Too much dust on the feed belt surface.<br>Worn feed belt.  | Lower the table height.<br>Clean surface with air hose.<br>Replace feed belt (Page 9)   |
| Shiny spots on sanded surface.                        | Sanding paper too old.<br>Drums too high.  | Replace sanding belt (Page 9)<br>Lower table height.  |
| Marks on sanded surface                               | Partial damage to sanding paper.<br>Paper overlapped on edges.   | Replace sanding belt (Page 9)<br>Re-align sanding belt on drum  |
| Feed belt does not run smoothly or stops completely.  | Feed belt tension is incorrect.<br>Belt tracking is incorrect.   | Adjust feed belt tension (Page 9)<br>Adjust feed tracking (Page 9)  |
| Consistently noticeable "snipe"                       | No out-feed support.<br>Pressure roller spring tension incorrect.<br>Drum height incorrect in relation to pressure rollers.  | Use supplementary support in rear of machine.<br>Check and adjust.<br>Adjust pressure rollers (Page 12)   |

## ACCESSORIES

A complete line of accessories is available from your DELTA® Supplier, DELTA® Factory Service Centers, and DELTA® Factory Service Centers, and DELTA® Authorized Service Centers. Please visit our Web Site [www.DeltaMachinery.com](http://www.DeltaMachinery.com) for an online catalog or for the name or your nearest supplier.

**⚠ WARNING:** Since accessories other than those offered by DELTA® have not been tested with this product, use of such accessories could be hazardous. For safest operation, only DELTA® recommended accessories should be used with this product.



## PARTS, SERVICE OR WARRANTY ASSISTANCE

All DELTA® machines and accessories are manufactured to high quality standards and are serviced by a network of DELTA® Factory Service Centers and DELTA® Authorized Service Centers. To obtain additional information regarding your DELTA® quality product or to obtain parts, service, warranty assistance, or the location of the nearest service center, please call 1-800-223-7278.

## WARRANTY

To register your tool for warranty service visit our website at [www.DeltaMachinery.com](http://www.DeltaMachinery.com).

### Five Year Limited New Product Warranty

DELTA® will repair or replace, at its expense and at its option, any new DELTA® machine, machine part, or machine accessory which in normal use has proven to be defective in workmanship or material, provided that the customer returns the product prepaid to a DELTA® factory service center or authorized service station with proof of purchase of the product within five years and provides DELTA® with reasonable opportunity to verify the alleged defect by inspection. For all refurbished DELTA® product, the warranty period is 180 days. DELTA® will not be responsible for any asserted defect which has resulted from normal wear, misuse, abuse or repair or alteration made or specifically authorized by anyone other than an authorized DELTA® service facility or representative. Under no circumstances will DELTA® be liable for incidental or consequential damages resulting from defective products. Some states do not allow the exclusion or limitation of incidental or consequential damages, so the above limitation or exclusion may not apply to you. This warranty is DELTA®'s sole warranty and sets forth the customer's exclusive remedy, with respect to defective products; all other warranties, express or implied, whether of merchantability, fitness for purpose, or otherwise, are expressly disclaimed by DELTA®. For further detail of warranty coverage and warranty repair information, visit [www.DeltaMachinery.com](http://www.DeltaMachinery.com) or call 1-800-223-7278. This warranty gives you specific legal rights and you may have other rights which vary in certain states or provinces.

**LATIN AMERICA:** This warranty does not apply to products sold in Latin America. For products sold in Latin America, see country specific warranty information contained in the packaging, call the local company or see website for warranty information.



## REPLACEMENT PARTS

Use only identical replacement parts. For a parts list or to order parts, visit our website at [www.DeltaMachinery.com/service](http://www.DeltaMachinery.com/service). You can also order parts from your nearest factory-owned branch, Authorized Warranty Service Center or by calling Technical Service Manager at 1-800-223-7278 to receive personalized support from one of our highly-trained representatives.

## FREE WARNING LABEL REPLACEMENT

If your warning labels become illegible or are missing, call 1-800-223-7278 for a free replacement.



## SAFETY RULES

**DON'T EXPOSE TO RAIN OR USE IN RAIN**  
**CAREFULLY READ INSTRUCTION MANUAL BEFORE OPERATING MACHINE.**  
**DO NOT OPERATE WITHOUT ALL GUARDS AND COVERS IN POSITION.**  
**BE SURE MACHINE IS ELECTRICALLY GROUNDED.**  
**REMOVE OR FASTEN LOOSE ARTICLES OF CLOTHING SUCH AS NECKTIES, ETC. CONFINE HAIR.**  
**REMOVE JEWELRY SUCH AS FINGER RINGS, WATCHES, BRACELETS, ETC.**  
**USE SAFETY FACE SHIELD, GOGGLES, OR GLASSES TO PROTECT EYES AND OTHER PERSONAL SAFETY EQUIPMENT AS REQUIRED.**  
**STOP MACHINE BEFORE MAKING ADJUSTMENTS OR CLEANING CHIPS FROM WORK AREA.**  
**KEEP THE FLOOR AROUND THE MACHINE CLEAN AND FREE FROM SCRAPS, SAWDUST, OIL OR GREASE TO MINIMIZE THE DANGER OF SLIPPING.**

## SERVICE AND REPAIRS

All quality tools will eventually require servicing and/or replacement of parts. For information about DELTA® Power Equipment Corporation, its factory-owned branches, or to locate an Authorized Warranty Service Center, visit our website at [www.DeltaMachinery.com/service](http://www.DeltaMachinery.com/service) or call our Customer Care Center at 1-800-223-7278. All repairs made by our service centers are fully guaranteed against defective material and workmanship. We cannot guarantee repairs made or attempted by others. By calling this number you can also find answers to most frequently asked questions.

You can also write to us for information at DELTA® Power Equipment Corporation, 2651 New Cut Road, Spartanburg, South Carolina 29303 - Attention: Technical Service Manager. Be sure to include all of the information shown on the nameplate of your tool (model number, type, serial number, date code, etc.)

# IMPORTANTES CONSIGNES DE SÉCURITÉ

**⚠ AVERTISSEMENT :** ASSUREZ-VOUS D'AVOIR BIEN LU ET COMPRIS TOUTES LES MISES EN GARDE ET LES CONSIGNES D'UTILISATION AVANT D'UTILISER CET ÉQUIPEMENT. Le fait de ne pas respecter toutes les instructions ci-dessous peut entraîner un choc électrique, un incendie et/ou des blessures graves ou des dégâts matériels importants.

Le travail du bois peut être dangereux si des procédures d'utilisation sécuritaires et adéquates ne sont pas respectées. Comme c'est le cas pour toute pièce de machinerie, certains dangers sont assortis à l'utilisation de ce produit. En utilisant cet appareil selon les directives et avec prudence, vous réduirez grandement la possibilité de blessures corporelles. Cependant, si les précautions normales de sécurité sont négligées ou ignorées, la personne utilisant l'appareil pourrait être blessée. L'équipement de sécurité comme les dispositifs de sécurité, poussoirs, dispositifs de retenue, planches de protection, lunettes de sécurité, masques antipoussières et protecteurs pour l'ouïe peut réduire les risques de blessures. Cependant, même le meilleur dispositif de protection ne peut compenser un mauvais jugement, un manque de prudence ou de l'inattention. Utilisez toujours le bon sens et soyez prudent dans l'atelier. Si une manœuvre a l'air dangereuse, ne l'essayez pas. Tentez plutôt de trouver un autre moyen plus facile. **RAPPELEZ-VOUS :** Vous êtes responsable de votre sécurité personnelle. Pour des renseignements complémentaires, rendez-vous sur notre site web à l'adresse suivante [www.DeltaMachinery.com](http://www.DeltaMachinery.com).



**⚠ AVERTISSEMENT :** Cet appareil a été conçu seulement pour certaines utilisations. DELTA<sup>MD</sup> Power Equipment Corporation recommande fortement que cet appareil ne soit pas modifié ni utilisé pour toute autre fin que celles pour lesquelles il a été conçu. Si vous avez des questions sur une utilisation en particulier, N'UTILISEZ PAS l'appareil avant d'avoir d'abord communiqué avec Delta<sup>MD</sup> pour déterminer si elle peut ou si elle devrait être faite sur ce produit.

Si vous avez des questions sur son utilisation, N'utilisez PAS le produit tant que vous n'avez pas écrit à DELTA<sup>MD</sup> Power Equipment Corporation et obtenu une réponse de leur part. Contactez-nous en ligne au [www.DeltaMachinery.com](http://www.DeltaMachinery.com) ou par courrier à l'adresse suivante : Responsable du service technique, DELTA<sup>MD</sup> Power Equipment Corporation, 2651 New Cut Road, Spartanburg, SC 29303.

Les informations concernant l'utilisation sécuritaire et adéquate de cet outil sont disponibles auprès des sources suivantes :

- Power Tool Institute, 1300 Sumner Avenue, Cleveland, OH 44115-2851 ou en ligne sur [www.powertoolinstitute.com](http://www.powertoolinstitute.com)
- National Safety Council, 1121 Spring Lake Drive, Itasca, IL 60143-3201
- American National Standards Institute, 25 West 43rd Street, 4 floor, New York, NY 10036 [www.ansi.org](http://www.ansi.org) – ANSI 01.1 Safety Requirements for Woodworking Machines
- U.S. Department of Labor regulations [www.osha.gov](http://www.osha.gov)

## CONSIGNES DE SÉCURITÉ - DÉFINITIONS

Ce manuel contient des informations qu'il est important de connaître et de comprendre. Ces informations ont pour but d'assurer VOTRE SÉCURITÉ et de PRÉVENIR LES PROBLÈMES D'ÉQUIPEMENT. Pour vous aider à reconnaître ces informations, nous utilisons les symboles ci-dessous. Veuillez lire le manuel et prêter attention à ces sections.

**⚠ DANGER:** indique une situation extrêmement dangereuse qui, si elle n'est pas évitée, entraînera la mort ou une blessure grave.

**⚠ AVERTISSEMENT :** indique une situation potentiellement dangereuse qui, si elle n'est pas évitée, pourrait entraîner la mort ou une blessure grave.

**⚠ ATTENTION:** indique une situation potentiellement dangereuse qui, si elle n'est pas évitée, peut entraîner une blessure mineure ou modérée.

**⚠ ATTENTION:** utilisé sans le symbole d'avertissement, indique une situation potentiellement dangereuse qui, si elle n'est pas évitée, peut endommager l'appareil.

# RÈGLES DE SÉCURITÉ GÉNÉRALES

**▲ AVERTISSEMENT :** LE NON-RESPECT DE CES RÈGLES PEUT ENTRAÎNER DES BLESSURES GRAVES.

- **POUR VOTRE PROPRE SÉCURITÉ, LISEZ ET COMPRENEZ BIEN LE MANUEL D'UTILISATION AVANT DE FAIRE FONCTIONNER L'APPAREIL.** Apprenez à connaître son utilité et ses limites, ainsi que les dangers qui lui sont rattachés.
- **MAINTENEZ L'AIRE DE TRAVAIL PROPRE.** Les aires et bancs de travail encombrés attirent les accidents.
- **NE PAS UTILISER DANS UN ENVIRONNEMENT DANGEREUX.** N'utilisez pas cet appareil dans un endroit humide ou mouillé, et ne l'exposez pas à la pluie. Gardez votre lieu de travail bien éclairé.
- **MAINTENEZ LES ENFANTS ET LES VISITEURS À L'ÉCART.** Tous les enfants et visiteurs doivent demeurer à une distance sécuritaire de l'aire de travail.
- **DÉBRANCHEZ L'APPAREIL** avant toute opération d'entretien.
- **VÉRIFIEZ LA PRÉSENCE DE PARTIES ENDOMMAGÉES.** Avant d'utiliser l'appareil, bien réparer ou remplacer toute partie endommagée.

**▲ AVERTISSEMENT :** LE NON-RESPECT DE CES RÈGLES PEUT ENTRAÎNER DES BLESSURES GRAVES.

1. Lisez et comprenez les avertissements affichés sur l'appareil et dans ce manuel. Le manquement à se conformer à tous ces avertissements peut entraîner des blessures graves.
  2. Remplacer les étiquettes d'avertissement si elles sont masquées ou supprimées.
  3. Cette ponceuse à double tambour est conçue et destinée pour être utilisée par du personnel dûment formé et expérimenté seulement. En cas de non familiarité avec le bon fonctionnement sécuritaire d'une ponceuse à tambour, ne pas l'utiliser avant d'avoir reçu la formation et les connaissances appropriées.
  4. Ne pas utiliser cet appareil pour tout autre chose que son usage prévu. S'il est utilisé à d'autres fins, Delta Power Equipment Company, Inc. décline toute garantie réelle ou implicite et se dégage de toute responsabilité pour toute blessure qui pourrait résulter de cette utilisation.
  5. Toujours porter des lunettes de protection ou des écrans faciaux approuvés lors de l'utilisation de cette ponceuse à double tambour.
  6. Avant d'utiliser cette ponceuse à tambour, enlevez cravate, bagues, montres et autres bijoux, et retrousser vos manches au-dessus du coude. Retirez tous les vêtements amples et retenez les cheveux longs. Il est recommandé de porter des chaussures antidérapantes ou de poser des bandes de plancher antidérapantes. Ne pas porter de gants.
  7. Portez des protecteurs pour l'ouïe (bouchons ou manchons) pendant les longues périodes de fonctionnement.
  8. Certaines poussières créées par le ponçage mécanique, le sciage, le broyage, le perçage et d'autres activités de construction contiennent des produits chimiques identifiés comme causes de cancer, d'anomalies congénitales ou d'autres préjudices à la reproduction. En voici des exemples :
    - plomb de peintures à base de plomb;
    - silice cristalline de briques, de ciment et d'autres produits de maçonnerie;
    - arsenic et chrome de bois de sciage traité chimiquement.
- Votre risque lié à ces expositions varie, selon la fréquence à laquelle vous faites ce genre d'activité. Pour réduire l'exposition à ces produits chimiques, travaillez dans un endroit bien ventilé et avec de l'équipement de protection approuvé, comme les masques antipoussières spécialement conçus pour filtrer les particules microscopiques.
1. Ne pas utiliser cet appareil en état de fatigue ou avec les facultés affaiblies par la drogue, l'alcool ou les médicaments.
  2. Avant de brancher l'appareil sur la source d'alimentation, assurez-vous que l'interrupteur est en position « OFF » (Arrêt).
  3. Assurez-vous que la machine est correctement mise à la terre.
  4. Faites les réglages de la machine ou son entretien que lorsque celle-ci est débranchée de la source d'alimentation.
  5. Prenez l'habitude de vérifier que tout l'équipement supplémentaire tel que les clés de réglage, les clés à molette, la ferraille, le matériel et les chiffons de nettoyage a été éloigné de la machine avant de la mettre en marche.
  6. Gardez les dispositifs de protection en place en tout temps lorsque l'appareil est utilisé. Faites preuve d'une extrême prudence s'ils sont enlevés à des fins d'entretien et remettez-les en place dès la fin de l'entretien.

7. Assurez-vous que la ponceuse à tambour est solidement fixée au plancher avant de l'utiliser.
8. Vérifiez la présence de parties endommagées Avant d'utiliser l'appareil, il faut vérifier soigneusement le dispositif de protection ou toute autre partie endommagée afin de s'assurer qu'ils fonctionnent correctement et rempliront leur fonction prévue. Vérifiez l'alignement des pièces mobiles et leurs joints, tout bris de pièce et du cadrage et toute autre condition qui pourrait en modifier le fonctionnement. Une garde ou une autre partie endommagée doivent être réparées ou remplacées sans tarder.
9. Prévoyez un espace suffisant autour de la zone de travail et un éclairage en plongée non éblouissant.
10. Gardez le plancher autour de l'appareil propre et exempt de débris, d'huile et de graisse.
11. Gardez les visiteurs à une distance sécuritaire de la zone de travail. Tenez les enfants à distance.
12. Rendez votre atelier à l'épreuve des enfants au moyen de cadenas, de commutateurs principaux ou en retirant les clés de mise en marche.
13. Concentrez-vous uniquement sur le travail. Regarder aux alentours, tenir une conversation et faire du chahut sont des actes négligents qui peuvent entraîner des blessures graves.
14. Maintenez une position équilibrée en tout temps pour ne pas risquer de tomber ou de s'appuyer contre la courroie de ponçage ou d'autres pièces mobiles. Évitez de vous étirer ou d'utiliser une force excessive pour effectuer toute opération avec l'appareil.
15. Utilisez l'outil approprié à la bonne vitesse et au bon débit. Ne forcez pas un outil ou un accessoire à effectuer une tâche pour laquelle il n'a pas été conçu. Le bon outil fera mieux le travail et sera plus sécuritaire.
16. Utilisez les pièces recommandées; les accessoires inadéquats peuvent être dangereux.
17. Entretenez les appareils avec soin. Suivez les indications pour la lubrification et le changement d'accessoires.
18. Débranchez l'appareil avant le nettoyage. Utilisez une brosse ou de l'air comprimé pour enlever la poussière ou des débris; n'utilisez pas vos mains.
19. Ne vous tenez pas debout sur l'appareil. Des blessures graves pourraient se produire si l'appareil se renverse.
20. Ne laissez jamais l'appareil en marche sans surveillance. Débranchez l'appareil et ne le laissez pas sans surveillance jusqu'à son arrêt complet.
21. Tenez la poignée fermement en tout temps.
22. N'utilisez pas cette ponceuse pour d'autres fins que celles pour lesquelles elle est prévue. Si elle est utilisée à d'autres fins, Delta Power Equipment Company, Inc. décline toute garantie réelle ou implicite et se dégage de toute responsabilité pour toute blessure qui pourrait résulter de cette utilisation.

## **CONSERVER CES CONSIGNES.**

Consultez-les souvent et utilisez-les pour enseigner aux autres.

# BRANCHEMENTS

Il faut utiliser un circuit électrique séparé pour vos appareils. Les fils du circuit doivent avoir un calibre d'au moins 12 et être protégés par un fusible à action différée de 20 ampères. Si vous utilisez une rallonge, ne prenez que des rallonges à 3 fils avec fiche de mise à la terre à 3 branches et un réceptacle correspondant qui acceptera la prise de l'appareil. Avant de brancher l'appareil sur l'alimentation, assurez-vous que l'interrupteur est en position « OFF » (Arrêt) et que le courant électrique que vous allez utiliser possède les mêmes caractéristiques que celui indiqué sur l'appareil. Toutes les connexions électriques doivent établir un bon contact. Une utilisation en basse tension endommagera l'appareil.

**⚠ DANGER:** NE PAS UTILISER L'APPAREIL DANS UN ENDROIT HUMIDE OU MOUILLÉ, ET NE PAS L'EXPOSER À LA PLUIE.

## SPÉCIFICATIONS DU MOTEUR

Votre appareil est câblé pour un courant alternatif de 230 V, 60 Hz. Avant de brancher l'appareil sur la source d'alimentation, assurez-vous que l'interrupteur est en position « OFF » (Arrêt).

**⚠ DANGER:** CET APPAREIL DOIT ÊTRE MIS À LA TERRE LORSQU'IL EST EN MARCHÉ POUR PROTÉGER CELUI QUI LE MANIPULE D'UN CHOC ÉLECTRIQUE.

## DIRECTIVES DE MISE À LA TERRE

1. Pour tous les appareils branchés par un cordon d'alimentation et mis à la terre :

Dans le cas d'un mauvais fonctionnement ou d'une panne, la mise à la terre fournit un chemin de moindre résistance au courant pour réduire le risque de choc électrique. Cet appareil est équipé d'un cordon électrique possédant un conducteur de terre et une fiche de terre. La fiche doit être branchée sur une prise correctement installée et mise à la terre conformément à tous les codes et règlements locaux.

Ne pas modifier la fiche fournie; si elle n'entre pas dans la prise, faites installer une prise adéquate par un électricien qualifié.

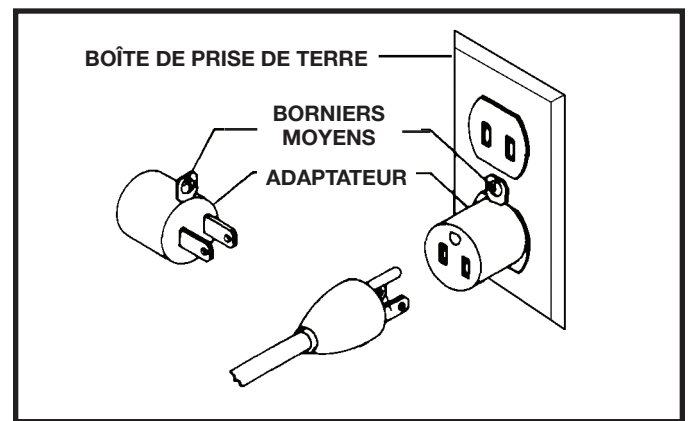
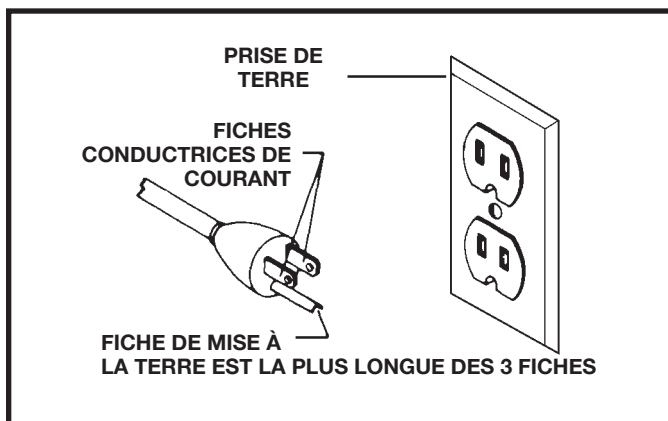
Un branchement incorrect du conducteur pour la mise à la terre peut entraîner un risque de choc électrique. Le fil conducteur avec un isolant comportant une surface extérieure verte, avec ou sans rayures jaunes, est le conducteur de terre. Si la réparation ou le remplacement du cordon électrique ou de la fiche est nécessaire, ne branchez pas le conducteur de terre à une borne sous tension.

Si les instructions de mise à la terre ne sont pas complètement comprises, ou si vous doutez que l'appareil soit correctement relié à la terre, vérifiez avec un électricien qualifié ou le personnel de service.

Utilisez uniquement des rallonges à 3 fils avec fiche de mise à la terre à 3 branches et des réceptacles adaptés acceptant la prise de l'appareil, tels que sur la figure A.

Réparez ou remplacez immédiatement un cordon abîmé ou usé.

**⚠ DANGER:** DANS TOUS LES CAS, ASSUREZ-VOUS QUE LE RÉCEPTACLE EN QUESTION EST BIEN RELIÉ À LA TERRE. SI VOUS N'ÊTES PAS CERTAIN, FAITES VÉRIFIER LE RÉCEPTACLE PAR UN ÉLECTRICIEN QUALIFIÉ.



# RALLONGES

**⚠ ATTENTION:** Utilisez des rallonges adéquates. Assurez-vous que votre rallonge est en bon état et que c'est bien une rallonge 3 fils avec une fiche de mise à la terre à 3 branches et un réceptacle correspondant qui acceptera la prise de l'appareil. Lorsque vous utilisez une rallonge, assurez-vous qu'elle soit capable de supporter le courant de l'appareil. Un cordon de trop faible capacité provoquera une chute de tension sur la ligne, entraînant une perte de puissance et de la surchauffe. La Fig. C montre la jauge appropriée du cordon de prolongation à utiliser en fonction de sa longueur. Si vous avez un doute, utilisez le cordon de prolongation de jauge immédiatement supérieur. Plus le numéro est petit, plus la jauge est grosse.

| AUGE MINIMUM POUR CORDON PROLONGATEUR  |       |  |   |
|--|-------|--|---|
| CALIBRES RECOMMANDÉS POUR UNE UTILISATION AVEC DES APPAREILS ÉLECTRIQUES STATIONNAIRES |       |  |   |
| Ampérage Service Nominal   | Volts | Longueur Totale Du Cordon En Pieds                                   | Jauge Des Fils Électriques De La Rallonge |
| 0 À 6  | 120   | JUSQU'À 25 (7,62 M)  | 18 AWG                                    |
| 0 À 6  | 120   | 25 À 50 (7,62 À 15,24 M)   | 16 AWG                                    |
| 0 À 6  | 120   | 50 À 100 (15,24 À 30,48 M)   | 16 AWG                                    |
| 0 À 6  | 120   | 100 À 150 (30,48 À 45,72 M)  | 14 AWG                                    |
| 6 À 10   | 120   | JUSQU'À 25 (7,62 M)  | 18 AWG                                    |
| 6 À 10   | 120   | 25 À 50 (7,62 À 15,24 M)   | 16 AWG                                    |
| 6 À 10   | 120   | 50 À 100 (15,24 À 30,48 M)   | 14 AWG                                    |
| 6 À 10   | 120   | 100 À 150 (30,48 À 45,72 M)  | 12 AWG                                    |
| 10 À 12  | 120   | JUSQU'À 25 (7,62 M)  | 16 AWG                                    |
| 10 À 12  | 120   | 25 À 50 (7,62 À 15,24 M)   | 16 AWG                                    |
| 10 À 12  | 120   | 50 À 100 (15,24 À 30,48 M)   | 14 AWG                                    |
| 10 À 12  | 120   | 100 À 150 (30,48 À 45,72 M)  | 12 AWG                                    |
| 12 À 16  | 120   | JUSQU'À 25 (7,62 M)  | 14 AWG                                    |
| 12 À 16  | 120   | 25 À 50 (7,62 À 15,24 M)   | 12 AWG                                    |
| 12 À 16  | 120   | LES RALLONGES DE PLUS DE 50 PIEDS (15,24 M) NE SONT PAS RECOMMANDÉES |   |

FIG. C

## CARACTÉRISTIQUES IMPORTANTES ET COMPOSANTES

1. Courroie d'alimentation à vitesse variable
2. Moteur à service continu de 3 HP
3. Double tambour de 66 cm
4. Indicateur d'élévation du ponçage
5. Manivelle d'élévation
6. Assemblage du commutateur

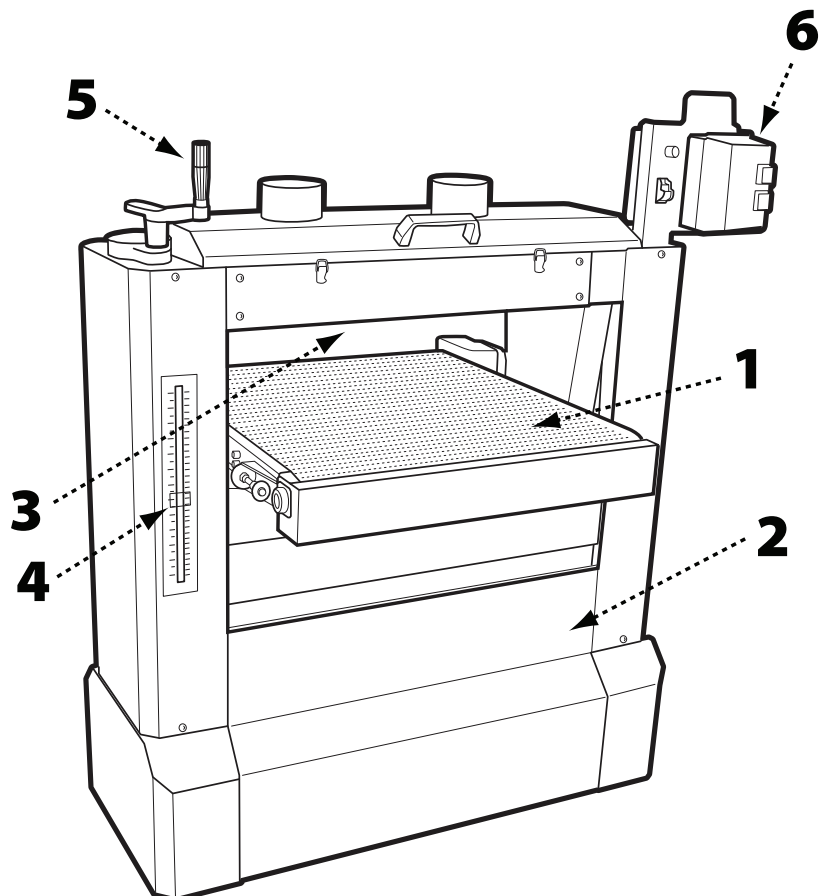


FIG. 1

# DESCRIPTION DU FONCTIONNEMENT

La ponceuse à double tambour de 66 cm, Modèle 31-481 de DELTA<sup>MD</sup> est spécifiquement conçue pour s'occuper des processus de ponçage à la fois rugueux et final en un seul passage. Cet appareil dispose d'une table d'alimentation automatique à hauteur réglable et est livré avec des bandes abrasives de grain 80 et grain 120 pré-coupées déjà installées. Cette ponceuse à double tambour est alimentée par un moteur à service continu scellé de 3 HP avec une alimentation à vitesse variable qui permet de travailler une surface de 0,9 à 6,1 m par minute. La large courroie d'alimentation accepte des matériaux jusqu'à 64,8 cm et vous permet de sabler des morceaux jusqu'à 31,1 cm d'épaisseur.

## SPÉCIFICATIONS DU PRODUIT

| SPÉCIFICATIONS DU MOTEUR DE TAMBOUR                    |   |
|--|---|
| Type   | Roulement à billes à induction/ Service continu |
| Puissance  | 3 HP  |
| Ampérage   | 16 A  |
| Voltage  | 230 V   |
| Phase  | Simple  |
| Hertz  | 60 Hz   |
| T/M  | 3 450   |
| SPÉCIFICATIONS DU MOTEUR DE LA COURROIE D'ALIMENTATION |   |
| Type   | Universel                                       |
| Puissance  | 1/6   |
| SPÉCIFICATIONS DU PRODUIT                              |   |
| Largeur maximale de ponçage                            | 64,8 cm   |
| Épaisseur maximale du matériel                         | 31,1 cm   |
| Épaisseur minimale du matériel                         | 6,4 mm  |
| Longueur minimale du matériel                          | 5,2 cm  |

| Vitesse d'alimentation        | De 0,9 à 6,1 m/min (variable) |
|-------------------------------|-------------------------------|
| Nombre de tambours de ponçage | 2                             |
| Taille du tambour             | 12,7 cm x 66 cm               |
| Vitesse du tambour            | 1 550 T/M                     |
| Sorties de poussière          | 5 à 10 cm                     |
| DIMENSIONS DU PRODUIT         |                               |
| Superficie                    | 45,1 cm x 109 cm              |
| Longueur                      | 78,7 cm                       |
| Largeur                       | 117 cm                        |
| Hauteur                       | 135 cm                        |
| Poids                         | 220 kg                        |
| DIMENSIONS D'EXPÉDITION       |                               |
| Type d'emballage              | Caisse en bois                |
| Longueur                      | 83,8 cm                       |
| Largeur                       | 122 cm                        |
| Hauteur                       | 140 cm                        |
| Poids brut                    | 243 kg                        |

## DÉBALLAGE

**⚠ AVERTISSEMENT :** L'appareil est lourd, soyez prudent lorsque vous le retirez de l'emballage d'expédition! Le non-respect peut entraîner de graves blessures ou des dommages à la ponceuse ou à des biens! Votre ponceuse à double tambour Delta<sup>MD</sup> est emballée dans un seul contenant. Placez une longe autour de l'appareil pour éviter qu'il bascule lors du levage. Vérifiez l'emballage d'expédition et l'appareil pour des dommages avant de le déballer.

Ouvrez l'emballage d'expédition. Enlevez soigneusement les matériaux d'emballage, les pièces et l'appareil de l'emballage d'expédition. Toujours vérifier et retirer les matériaux d'emballage de protection autour des moteurs et des pièces mobiles. Étalez toutes les pièces sur une surface de travail propre et vérifiez que toutes les pièces sont présentes et en bon état :

### DESCRIPTION (QUANTITÉ)

Ponceuse à double tambour de 66 cm Delta (1)

Clé à fourche de 12 mm (1)

Manivelle d'élévation (1)

Clé hexagonale de 5 mm (1)

Clé avec poignée en T de 6 mm (1)

Clé avec poignée en T de 2 mm (1)

Support d'élévation (1)

Comparez les articles avec la liste d'inventaire; vérifiez que tous les éléments sont pris en compte avant de jeter la boîte d'expédition. Signalez toute pièce manquante ou endommagée à votre distributeur ou revendeur. Avant de passer à l'assemblage de l'appareil et à son utilisation, lisez attentivement le présent manuel pour vous familiariser avec les procédures d'assemblage, d'entretien et de sécurité appropriées.

Retirez tous les matériaux et enduits de protection de toutes les pièces et de la ponceuse à tambour. Les enduits de protection peuvent être enlevés en les pulvérisant de WD-40 et en les essuyant avec un chiffon doux. Il peut être nécessaire de refaire cette étape plusieurs fois avant que tous les enduits de protection soient complètement enlevés.

**⚠ AVERTISSEMENT :** S'il y a des pièces manquantes, n'essayez pas de brancher le cordon d'alimentation et de mettre l'appareil en marche. L'appareil ne doit pas être mis en marche tant que toutes les pièces n'ont pas été obtenues et correctement installées.

# ASSEMBLAGE

## OUTILS REQUIS

- tournevis à tête plate
- Clé à fourche de 10 mm

## FIXEZ LE COMMUTATEUR AU CADRE

**Outils requis :** Clé à fourche de 10 mm

**Pièces :** Aucune

**Quincaillerie requise :** Deux vis à tête hexagonale de 10 mm

1. Repérez les deux trous filetés sur le côté supérieur droit de l'appareil comme le montre la Fig. 2.
2. Fixez les deux vis à tête hexagonale de 10 mm à la plaque de montage, en laissant environ 0,3 cm entre la tête de vis et la plaque de montage.
3. Installez l'assemblage du commutateur (A) au cadre de l'appareil en alignant les trous de serrure (B) de l'assemblage du commutateur sur les têtes de vis et en poussant l'assemblage vers l'arrière et en position.
4. Serrez les vis à l'aide de la clé à fourche de 10 mm

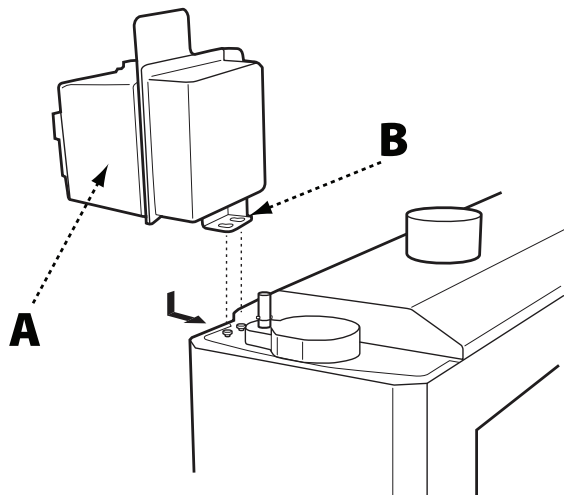


FIG. 2

## ASSEMBLEZ LA MANIVELLE ET LA POIGNÉE D'ÉLEVATION DE LA TABLE

**Outils requis :** Aucun

**Pièces :** Manivelle d'élévation de la table

**Poignée d'élévation de la table**

**Matériel requis :** Aucun

1. Installez la manivelle (C) en alignant la rainure au fond de la manivelle avec la goupille située sur l'axe (D). Voir Fig. 3.
2. Vissez la poignée d'élévation de la table dans le trou fileté de la manivelle.nk.

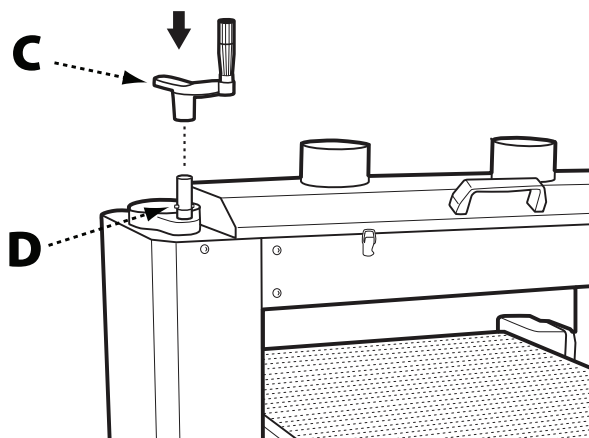


FIG. 3

## CONNECTEZ LE COLLECTEUR DE POUSSIÈRE À LA SORTIE POUR LA POUSSIÈRE

**Outils requis :** Tournevis à tête plate

**Pièces :** Aucune

**Matériel requis :** Deux colliers de serrage de 10 cm (non fournis)

**⚠ AVERTISSEMENT :** Votre ponçeuse à double tambour Delta<sup>MD</sup> est pourvue de deux sorties de poussière de 10 cm. Celles-ci doivent être reliées à des tuyaux collecteurs de poussière pour assurer un fonctionnement sécuritaire.

Ne faites pas fonctionner cet appareil sans d'abord l'avoir relié à un système adéquat de captage de la poussière.

1. Placez un collier de serrage de 10 cm sur l'extrémité de chaque tuyau de captage de la poussière.
2. Placez un tuyau de captage de la poussière sur chaque port et serrez le collier de serrage avec le tournevis à tête plate.



## POUR REMPLACER LA COURROIE DE PONÇAGE

1. Soulevez le dispositif de sécurité supérieur et inclinez-le vers l'arrière de l'appareil afin d'exposer les tambours.
2. Localisez la bride de verrouillage à ressort (A) de l'extrémité droite du tambour. Pressez la bride pour l'ouvrir et retirez la fin de la courroie de ponçage (B) de la fente du tambour. Voir Fig. 4.
3. Retirez lentement la vieille courroie du tambour.
4. Pressez la bride à l'extrémité gauche du tambour et retirez la vieille courroie de ponçage.
5. Pressez à nouveau la bride de gauche et insérez l'extrémité de la nouvelle courroie de ponçage à environ 5 cm dans la fente du tambour.
6. Relâchez la bride pour fixer l'extrémité de la courroie en place.
7. En tournant le tambour à la main, enroulez soigneusement la courroie de ponçage autour du tambour, en veillant à la garder bien serrée. Les bords de la courroie devraient se toucher sans

pourtant se chevaucher.

8. Pressez la bride de droite et insérez la courroie de ponçage autant que possible dans la fente du tambour.
9. Relâchez la bride pour fixer la courroie en place.
10. Tournez le tambour à la main pour vous assurer que la courroie est bien serrée et que les bords se touchent sans se chevaucher.

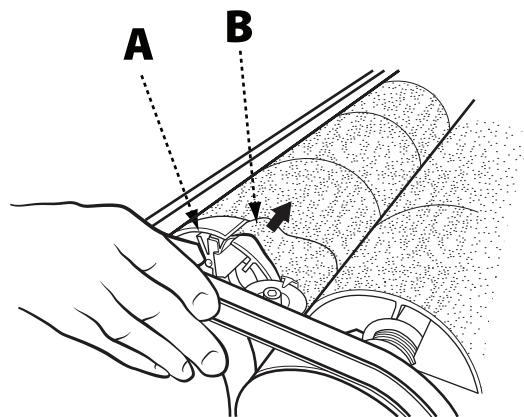


FIG. 4

**REMARQUE :** La ponceuse à double tambour est conçue pour réaliser le ponçage grossier et fin en un seul passage. Il faut donc toujours installer la courroie de ponçage grossier sur le tambour avant et la courroie fine sur le tambour arrière.

## POUR RÉGLER LE SUIVI DE LA COURROIE D'ALIMENTATION

Pour la bonne alimentation du matériel, les deux côtés de la courroie d'alimentation doivent rouler à la même vitesse. Si la courroie d'alimentation tire vers la droite ou la gauche pendant le fonctionnement, vous devrez ajuster la tension.

**REMARQUE :** Si la courroie tire vers la gauche, serrez le boulon de tension de gauche. Si la courroie tire vers la droite, serrez le boulon de tension de droite.

1. Repérez les boulons de tension de la courroie d'alimentation, comme le montre la Fig. 5.
2. Mettez en marche la ponceuse et, selon la direction dans laquelle la courroie d'alimentation tire, utilisez une clé Allen de 6 mm pour serrer le boulon de tension soit à gauche, soit à droite par crans d'un quart de tour jusqu'à ce que la courroie d'alimentation soit ajustée uniformément.

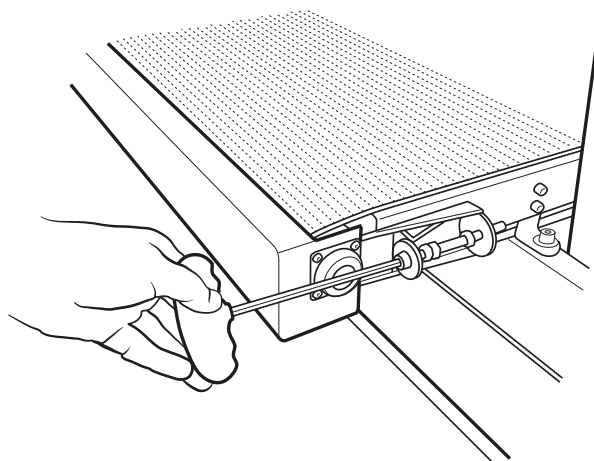


FIG. 5

# AJUSTEMENTS

## POUR AJUSTER LA TENSION DE LA COURROIE DE TRANSMISSION

1. Enlevez l'indicateur de l'élévation en dévissant la vis de retenue.
2. Dévissez les huit boulons à tête Philips et enlevez les rondelles qui retiennent les dispositifs de sécurité (A) à l'appareil du côté gauche et droit afin de retirer les dispositifs. Voir Fig. 6.
3. Utilisez une clé Allen de 6 mm pour enlever les quatre boulons à tête hexagonale et les rondelles qui retiennent le dispositif de sécurité du bas (B) de l'appareil. Voir Fig. 7.
4. Soulevez les panneaux télescopiques (C) assez haut pour exposer le support du moteur (D). Voir Fig. 7. Maintenez-le en place à l'aide d'un vieux bloc de bois.
5. Repérez les deux écrous M12 (E) qui servent à soulever et abaisser le moteur. Voir Fig. 7.
6. Pour augmenter la tension sur les courroies de transmission, desserrez les écrous du bas, puis serrez les écrous du haut.
7. Remettez les panneaux télescopiques en place et fixez à nouveau le dispositif de sécurité du bas.
8. Remplacez les dispositifs de sécurité latéraux et l'indicateur de l'élévation.

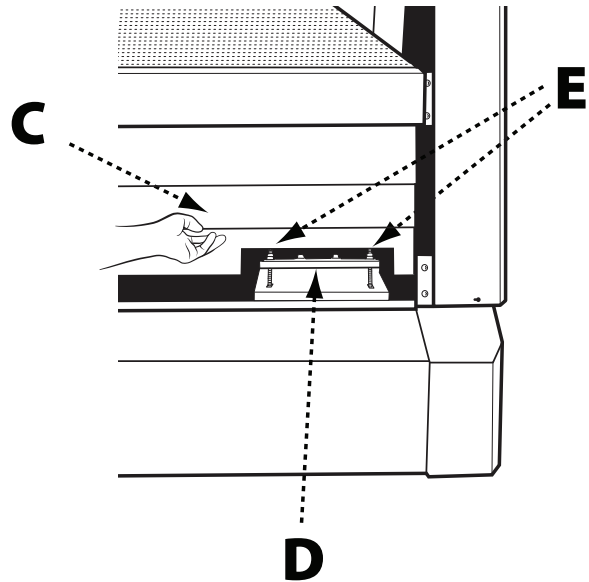


FIG. 7

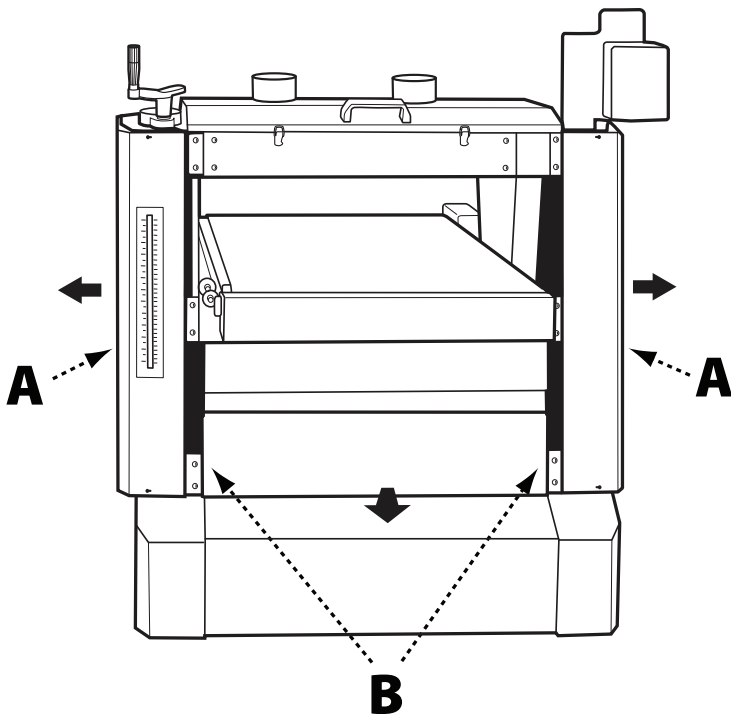


FIG. 6

# AJUSTEMENTS

## POUR REMPLACER LA COURROIE D'ALIMENTATION

**⚠ AVERTISSEMENT :** Cette étape nécessite deux adultes. La table d'alimentation est lourde, soyez prudent lorsque vous la démontez et l'enlevez de l'appareil. Le non-respect peut entraîner de graves blessures ou des dommages à la ponceuse ou au milieu environnant!

1. En utilisant la manivelle et la poignée d'élévation de la table, abaissez celle-ci autant que possible.
2. Relâchez la tension sur la courroie d'alimentation en dévissant partiellement les écrous de blocage (A) sur les boulons d'ajustement de la courroie (Fig. 8), puis en vissant les boulons d'ajustement de la courroie (B) jusqu'à ce qu'ils soient suffisamment desserrés pour enlever l'assemblage de la courroie.
3. Desserrez mais n'enlevez pas les huit vis à tête Philips (C) qui retiennent les roulements à bille de chaque côté de la face avant de la table d'alimentation. Voir Fig. 9.
4. Retirez le dispositif de sécurité avant (D) en le faisant glisser vers l'avant.
5. Repérez et enlevez les quatre vis à tête hexagonale de 6 mm (E) qui retiennent la table d'alimentation à la base. Voir Fig. 10.
6. Avec l'aide d'un deuxième adulte, enlevez soigneusement la table d'alimentation par l'arrière de l'appareil et de biais pour bien l'éloigner du boîtier du moteur.
7. Placez la table d'alimentation debout sur le côté et retirez la courroie d'alimentation usée.
8. Faites délicatement glisser en place la nouvelle courroie d'alimentation.
9. Remplacez l'assemblage de la courroie sur la base de l'appareil en le faisant glisser par l'arrière et en vous assurant de ne pas endommager le boîtier du moteur.
10. Revissez bien les quatre vis à tête hexagonale de 6 mm pour fixer la table d'alimentation sur la base de l'appareil.
11. Remplacez le dispositif de sécurité avant et resserrez les vis à tête Philips sur chaque roulement à billes.
12. Réglez la tension sur la courroie d'alimentation.
13. Ajustez le suivi tel que décrit à la page 24.

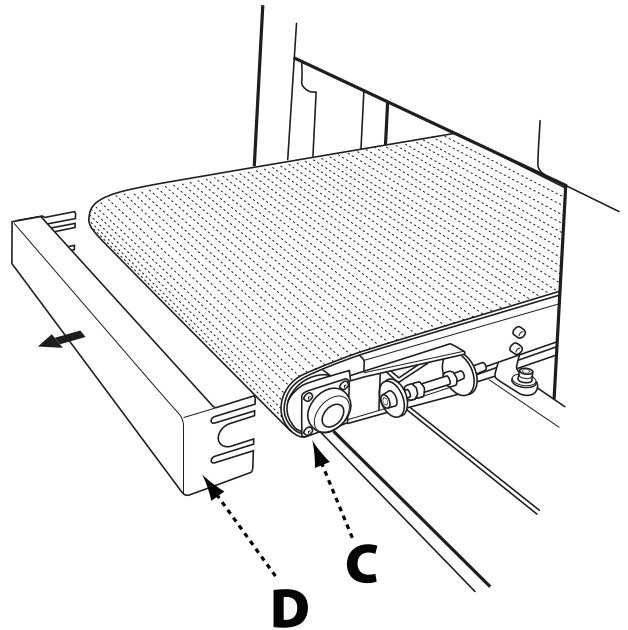


FIG. 9

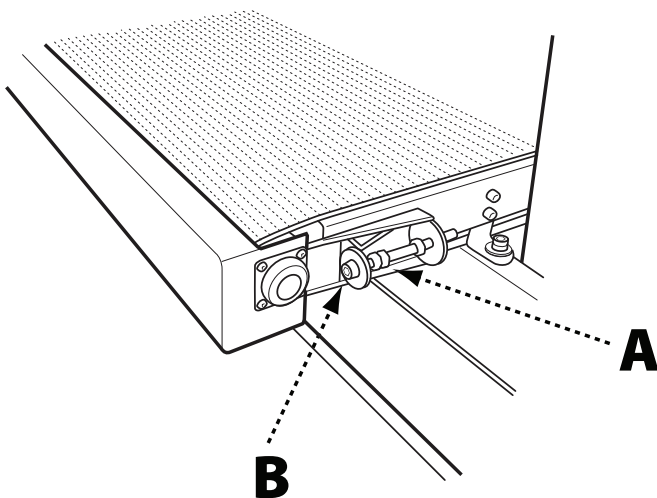


FIG. 8

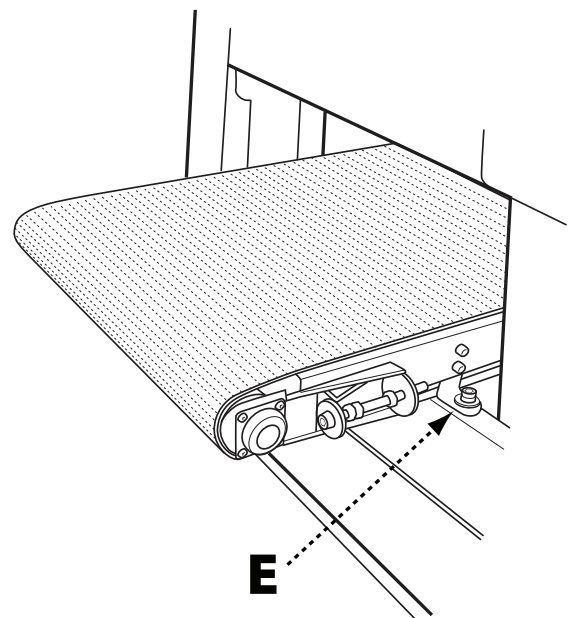


FIG. 10

# AJUSTEMENTS

## POUR AJUSTER LE PARALLÉLISME DES TAMBOURS DE PONÇAGE

Le tambour de ponçage avant a été réglé en usine et ne nécessite aucun ajustement supplémentaire. Le tambour de ponçage arrière doit être réglé pour être parallèle au tambour avant.

1. Soulevez le dispositif de sécurité supérieur et inclinez-le vers l'arrière afin d'exposer les tambours.
2. En utilisant la clé de 6 mm fournie, tournez les vis d'assemblage, comme indiqué à la Fig. 11, à chaque extrémité du tambour arrière.
3. Tourner les vis d'assemblage dans le sens horaire soulèvera le tambour tandis que les tourner dans le sens antihoraire le fera descendre.
4. Répétez ce réglage de la vis d'assemblage à l'extrémité opposée du tambour.
5. Remettez le dispositif de sécurité supérieur à sa position initiale sur les tambours.

**REMARQUE :** Pour un bon fonctionnement de l'appareil, les valeurs d'ajustement aux deux extrémités du tambour doivent être identiques.

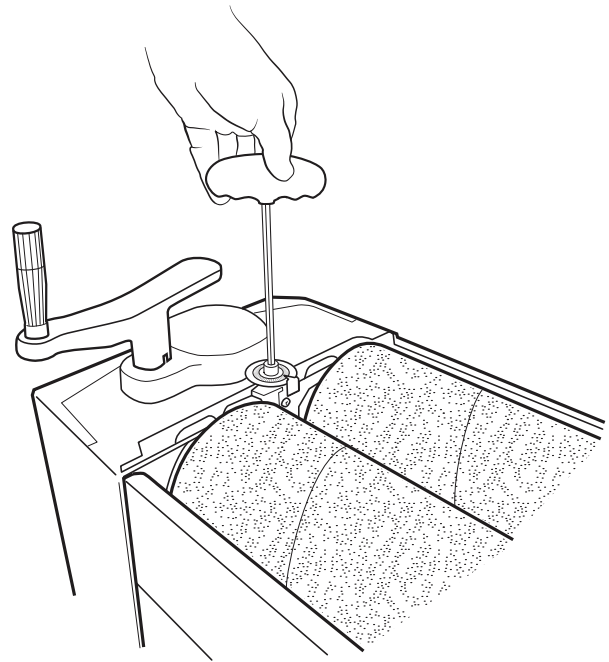


FIG. 11

## POUR AJUSTER LA PRESSION DES ROULEAUX

Les rouleaux de pression maintiennent la tension sur la pièce qui passe dans l'appareil. Si le matériel refuse de passer à travers l'appareil, ou que la surface finie est inégale, la tension sur les rouleaux de pression peut nécessiter un ajustement.

1. Soulevez le dispositif de sécurité supérieur et inclinez-le vers l'arrière afin d'exposer les tambours.
2. Repérez les vis d'ajustement de la pression des rouleaux, tel qu'indiqué à la Fig. 12.
3. En utilisant un tournevis à tête Philips, tournez les vis dans le sens horaire pour augmenter la pression des rouleaux sur la pièce, ou dans le sens antihoraire pour diminuer la pression.
4. Ajustez les deux côtés des rouleaux de pression pour assurer le parallélisme des tambours.
5. Remettez le dispositif de sécurité supérieur à sa position initiale sur les tambours.

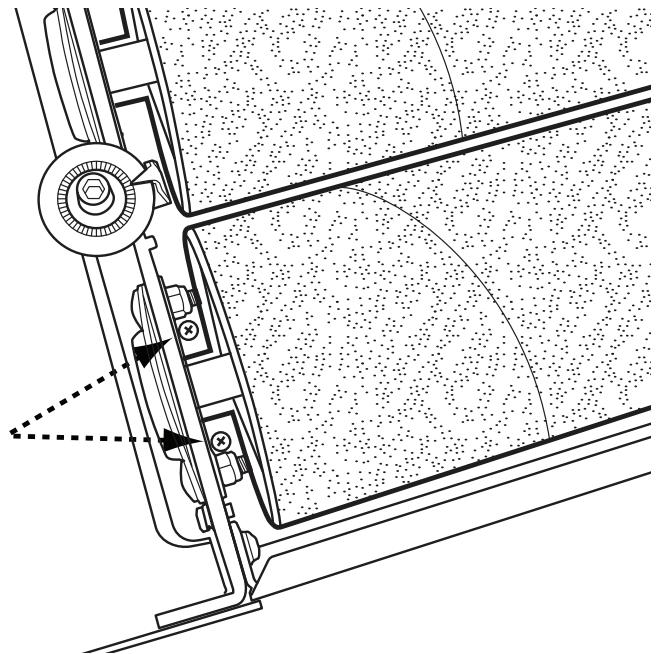


FIG.12

**⚠ ATTENTION :** Ne serrez pas trop les vis d'ajustement. Trop de pression des rouleaux peut empêcher la pièce de passer à travers l'appareil et peut provoquer l'arrêt de la courroie d'alimentation.

# AJUSTEMENTS

## POUR AJUSTER LA HAUTEUR DU TAMBOUR

Afin d'accommoder différents grains abrasifs sur les tambours, la hauteur entre les tambours et la pièce doit varier. La hauteur du tambour avant a été réglée en usine et ne devrait pas être ajustée. Le tambour arrière est conçu pour un ajustement facile.

1. Soulevez le dispositif de sécurité supérieur et inclinez-le vers l'arrière afin d'exposer les tambours.
2. Repérez la vis d'ajustement de la hauteur du tambour, tel qu'indiqué à la Fig. 13.
3. Tournez la vis d'ajustement à la valeur souhaitée.
4. Répétez ce même ajustement à l'extrémité opposée du tambour pour maintenir une orientation parallèle avec le tambour avant.
5. Remettez le dispositif de sécurité supérieur à sa position initiale sur les tambours.

**REMARQUE :** Pour un bon fonctionnement de l'appareil, les valeurs d'ajustement aux deux extrémités du tambour doivent être identiques.

**IMPORTANT :** Le tableau de droite montre les ajustements appropriés selon le grain de ponçage.

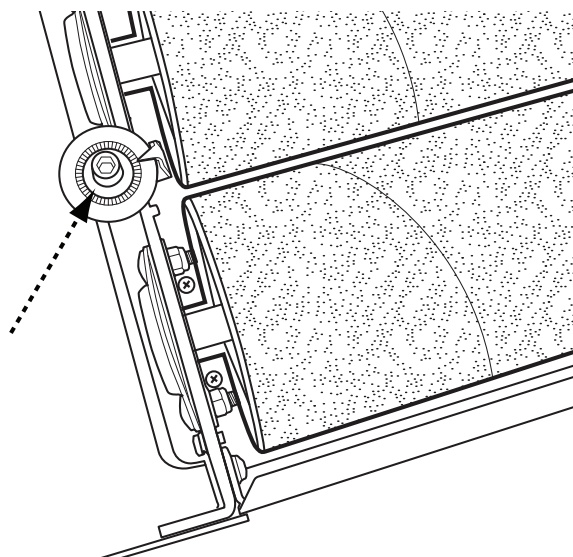


FIG. 13

| Front Grit / Rear Grit            | Setting (mm) |
|-----------------------------------|--------------|
| 80/100, 120/150, 120/180, 150/220 | 0,15         |
| 80/120, 100/150, 100/180          | 0,30         |
| 60/100, 36/38                     | 0,40         |
| 36/120                            | 0,56         |
| 36/60                             | 0,76         |
| 36/80                             | 0,9          |

# FONCTIONNEMENT

La procédure d'opération de base de la ponceuse à tambour double se déroule comme suit :

1. Déterminez l'épaisseur de bois à enlever et ajustez la hauteur de la table.
2. Démarrez les tambours.
3. Démarrez la courroie d'alimentation et déterminez la bonne vitesse d'alimentation.
4. Assurez-vous que le système de collecte de la poussière fonctionne.
5. Alimenter le matériel au travers de l'appareil

# CONSEILS D'OPÉRATION

## ÉPAISSEUR DE BOIS À ENLEVER

Étant donné les variables des grains de ponçage, le type de bois et la vitesse d'alimentation, il faut faire quelques essais pour trouver la bonne épaisseur de à enlever. Pour de meilleurs résultats, utilisez du bois de rebut pour pratiquer le ponçage et améliorer vos compétences et votre familiarité avec l'appareil avant de faire du travail de finition. Examinez aussi le matériel pour voir s'il présente des voilements transversaux ou des crêtes.

Une bonne règle à appliquer lors du ponçage avec des grains plus fins que 80 est d'abaisser le tambour de façon à ce qu'il touche le matériel mais qu'il puisse encore être tourné à la main. Pour les grains plus gros que 80, abaissez le tambour un peu plus.

## ONÇAGE DE MATÉRIEL IMPARFAIT

Lorsque vous ponchez du matériel qui présente un voilement transversal ou une crête, placez la crête sur le dessus. Ceci stabilisera le matériel et l'empêchera de tourner ou de rouler pendant le ponçage. Une fois que la crête est enlevée et que le dessus est plat, retournez le matériel et ponchez le côté opposé. Pour éviter les blessures, prenez un soin particulier lors du ponçage de matériel qui est tordu, courbé ou qui varie en épaisseur de bout en bout.

Si possible, soutenez un tel matériel lors du ponçage pour l'empêcher de glisser ou de basculer. Utilisez un rouleau de support supplémentaire, l'aide d'une autre personne, ou la pression de la main sur le matériel afin de minimiser les situations potentiellement dangereuses.

## CONSEILS

### ANGLE D'ALIMENTATION DU MATÉRIEL

Certaines pièces, en raison de leurs dimensions, devront être introduites dans l'appareil à un angle de 90 degrés (perpendiculaire aux tambours). Cependant, il suffit de décaler le matériel d'un petit angle pour effectuer un ponçage de bois plus efficace. L'angle d'alimentation optimal est d'environ 60 degrés. L'alimentation en angle du matériel pour le ponçage offre d'autres avantages, tels que moins de contraintes de certaines parties des tambours dues à des lignes de colle ou des stries minérales dans le matériel, une usure plus uniforme des courroies de ponçage, des taux d'alimentation potentiellement plus rapides et des charges plus légères sur le moteur. Cependant, pour une meilleure finition, le matériel devrait être alimenté dans le sens du grain pour les passes finales.

### PONÇAGE DE PLUSIEURS PIÈCES

Lors du ponçage simultané de plusieurs pièces, veillez à échelonner (en escalier) les pièces sur la largeur de la courroie d'alimentation. Toutes les pièces doivent aussi être d'une épaisseur semblable, ce qui contribue

à assurer un contact permanent avec les rouleaux de pression.

### PONÇAGE DES PANNEAUX AVANT ET DE PORTES À PANNEAUX SURÉLEVÉS

Il est important d'avoir le bon contact abrasif lorsque vous faites ce type de ponçage. Si l'appareil est configuré pour enlever une profondeur excessive de coupe, le résultat peut être un enfoncement ou une dépression lorsque le tambour passe du ponçage des rails à pleine largeur au ponçage des montants de quelques centimètres de largeur.

### PONÇAGE DES BORDURES

Lors du ponçage de bordures, la ponceuse reproduira le bord opposé du matériel qui repose sur la courroie d'alimentation. Pour cette raison, il est important de scier en long le bord du matériel selon l'angle approprié sur la face avant d'effectuer le ponçage. Lors du ponçage de bordures de petites pièces, serrez plusieurs pièces ensemble pour les empêcher de glisser sur la courroie d'alimentation.

## SELECTING THE PROPER ABRASIVES

Le matériau abrasif que vous choisissez aura un effet considérable sur le rendement de votre ponceuse. Les variations dans le type de papier, le poids, le revêtement et la durabilité contribuent tous à la réalisation du fini voulu.

Comme pour toute opération de ponçage, commencez d'abord le ponçage avec un grain plus grossier, en fonction de la rugosité du matériel ou la quantité de matériel à être enlevé. Puis passez graduellement à des grains plus fins. Cela signifie que si vous utilisez deux grains différents sur votre ponceuse à double tambour 31-481, le grain plus grossier doit toujours être placé sur le tambour avant.

La quantité de matériel à enlever est un facteur important lors du choix initial de la classe de grain. Les grains 36 et 60 sont principalement conçus pour le ponçage du matériel; les grains plus grands que 100 sont principalement des grains de finition conçus pour supprimer les fines rayures laissées par le grain utilisé précédemment.

Pour de meilleurs résultats, ne sautez jamais plus d'une classe de grain lors d'une séquence de ponçage. Pour le travail de finition, comme les meubles, essayez de ne pas sauter aucune classe de grain pendant le ponçage. En général, les abrasifs de qualités supérieures vont produire une meilleure finition avec des motifs de rayures moins visibles.

**ATTENTION :** Les grains qui sont trop fins peuvent parfois lisser le bois et laisser une surface brillante qui

ne pourra pas être teintée uniformément. Ce problème variera selon le type de bois. Le chêne, par exemple, est susceptible au lissage à cause de ses pores ouverts.

### BANDES ABRASIVES PRÊTES À COUPER

| DESCRIPTION                 | USAGE NORMAL   |
|-----------------------------|--|
| Papier à poncer calibre 60  | ponçage de surface et de planches, redressement de planches voilées  |
| Papier à poncer calibre 80  | ponçage de surface, calibrage léger, enlever les vagues de raboteuse |
| Papier à poncer calibre 120 | léger ponçage de surface, enlèvement minimal de matériel             |
| Papier à poncer calibre 150 | ponçage de finition, enlèvement minimal de matériel                  |
| Papier à poncer calibre 180 | ponçage de finition seulement, pas pour l'enlèvement de matériel     |
| Papier à poncer calibre 220 | ponçage de finition seulement, pas pour l'enlèvement de matériel.    |

# ROCÉDURES D'ENTRETIEN RECOMMANDÉES

## INSPECTION DE ROUTINE

Il est recommandé que vous inspectiez périodiquement votre Ponceuse à double tambour Delta<sup>MD</sup> comme mesure de précaution. À cette occasion, vérifiez tout le matériel tel que les boulons, écrous et vis pour vous assurer qu'ils sont bien serrés. Vérifiez aussi que les courroies de ponçage et de transmission sont montées correctement et ne sont pas devenues détendues ou déchirées.

Profitez également de cette occasion pour vérifier le niveau de poussières ou de particules de bois accumulées sur l'appareil ou à l'intérieur.

## GRAISSAGE

Les arbres des vis d'ajustement pour la hauteur de la table, situés à chaque extrémité de l'appareil, doivent être bien lubrifiés avec de la graisse en tout temps. Pour accéder aux arbres des vis afin de les inspecter et de les lubrifier, il faut retirer les deux dispositifs de sécurité latéraux situés à chaque extrémité de l'appareil.

Pour enlever les dispositifs de sécurité latéraux :

1. Enlevez l'indicateur de l'élévation en dévissant la vis de retenue.
2. Retirez les huit boulons à tête Philips et les rondelles qui retiennent les dispositifs de sécurité latéraux à gauche et à droite de l'appareil puis retirez les dispositifs. Voir Fig. 14.

3. Remplacez ensuite les dispositifs de sécurité latéraux et l'indicateur de l'élévation..

## NETTOYAGE DES COURROIES DE PONÇAGE

Nettoyez régulièrement les courroies de ponçage sur les tambours avec des baguettes de nettoyage disponibles dans le commerce, en suivant les instructions du fabricant. Lors du nettoyage, brossez aussi les miettes de bâton du tambour de ponçage alors qu'il est encore en rotation.

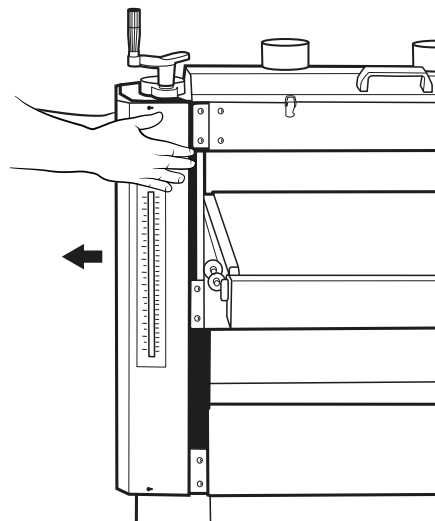


FIG. 14

## TROUBLESHOOTING GUIDE

| PROBLÈME  | CAUSE POSSIBLE   | SOLUTION   |
|---|--|--|
| La surface de ponçage s'engorge trop rapidement.                                    | Le grain abrasif est trop fin.<br>Trop de matériel est enlevé à la fois.<br>La surface du matériel est sale.<br>Ramassage insuffisant de la poussière.<br>Le matériel contient trop d'humidité.<br>Courroie de ponçage usée. | Changez à un grain plus grossier.<br>Ajustez la hauteur de la table.<br>Assurez-vous que la surface est sans débris avant le ponçage.<br>Inspectez le système de collecte de la poussière.<br>Séchez le matériel correctement avant le ponçage.<br>Remplacez la courroie de ponçage (page 24). |
| La courroie de ponçage se déchire.  | Les tambours ne sont pas parallèles à la table d'alimentation.<br>Les bords de la courroie de ponçage se chevauchent.<br>La courroie glisse.<br>Trop de matériel est enlevé à la fois.                                       | Réalignez les tambours (page 26).<br>Réinstallez la courroie de ponçage.<br>Ré-enroulez la courroie détendue sur le tambour.<br>Abaissez la hauteur de la table.   |
| Arrondissement sur les bords.   | Trop de matériel est enlevé à la fois.   | Abaissez la hauteur de la table.   |
| Épaisseur inégale du côté droit et gauche du matériel.                              | Les tambours ne sont pas parallèles à la table d'alimentation.<br>Usure inégale de la courroie de ponçage.   | Réalignez les tambours (page 26).<br>Remplacez la courroie de ponçage.   |
| Le matériel glisse sur la courroie d'alimentation.                                  | Trop de matériel est enlevé à la fois.<br>Trop de poussière sur la surface de la courroie d'alimentation.<br>Courroie d'alimentation usée.   | Abaissez la hauteur de la table.<br>Nettoyez la surface avec un boyau à air.<br>Remplacez la courroie d'alimentation (page 24).  |
| Zones brillantes sur la surface poncée.   | La courroie de ponçage est trop vieille.<br>Les tambours sont trop hauts.  | Remplacez la courroie de ponçage (page 24).<br>Abaissez la hauteur de la table.  |
| Marques sur la surface poncée.  | Domage partiel à la courroie de ponçage.<br>Les bords de la courroie de ponçage se chevauchent.  | Remplacez la courroie de ponçage (page 24).<br>Réalignez la courroie de ponçage sur le tambour.  |
| La courroie d'alimentation ne fonctionne pas correctement ou s'arrête complètement. | La tension de la courroie d'alimentation est incorrecte.<br>Le suivi de la courroie n'est pas correct.   | Ajustez la tension de la courroie d'alimentation (page 24).<br>Ajustez le suivi de la courroie d'alimentation (page 24).   |
| Arrondissement constamment remarqué sur les extrémités des pièces.                  | Pas de support à la sortie.<br>La tension du rouleau de pression est incorrecte.<br>La hauteur du tambour est incorrecte par rapport aux rouleaux de pression.   | Utilisez un support supplémentaire à l'arrière de l'appareil.<br>Vérifiez et ajustez.<br>Ajustez les rouleaux de pression (page 27).   |

## ACCESSOIRES

La gamme complète des accessoires peut être obtenue auprès de votre fournisseur DELTA<sup>MD</sup>, des centres de service du fabricant DELTA<sup>MD</sup> et des centres de services DELTA<sup>MD</sup> autorisés. Rendez-vous sur notre site Web [www.DeltaMachinery.com](http://www.DeltaMachinery.com) pour obtenir un catalogue, ou pour connaître le nom du fournisseur le plus près de chez vous.

**⚠ WARNING:** Étant donné que les accessoires autres que ceux offerts par DELTA<sup>MD</sup> n'ont pas été testés avec ce produit, leur utilisation pourrait s'avérer dangereuse. Pour assurer une utilisation plus sécuritaire, seuls les accessoires recommandés par DELTA<sup>MD</sup> doivent être utilisés avec ce produit.



## AIDE POUR LES PIÈCES, LE SERVICE OU LA GARANTIE

Tous les appareils et tous les accessoires DELTA<sup>MD</sup> sont fabriqués selon des normes de qualité élevées et sont soutenus par un réseau de centres de service du fabricant DELTA<sup>MD</sup> et des centres de services DELTA<sup>MD</sup> autorisés. Pour en savoir davantage sur votre produit de qualité DELTA<sup>MD</sup> ou pour obtenir des pièces, du service, de l'aide avec la garantie ou l'emplacement du centre de service le plus près de chez vous, veuillez composer le 1-800-223-7278.

## GARANTIE

Pour l'enregistrement de votre outil auprès du service de la garantie, rendez-vous sur notre site à l'adresse suivante [www.DeltaMachinery.com](http://www.DeltaMachinery.com).

### Garantie limitée de cinq ans pour les produits neufs

DELTA<sup>MD</sup> réparera ou remplacera, à ses frais et à sa discrétion, tout nouvel appareil, pièce ou accessoire de l'appareil de DELTA<sup>MD</sup> qui, pour une usure normale, est jugé défectueux en raison d'un défaut de fabrication ou de matériau, à condition que le client retourne le produit prépayé à un centre de service du fabricant ou à un centre de service autorisé DELTA<sup>MD</sup> avec une preuve d'achat du produit dans les cinq ans après l'achat et offre à DELTA<sup>MD</sup> une occasion raisonnable de vérifier le défaut allégué au moyen d'une inspection. Pour tous les produits DELTA<sup>MD</sup> reconditionnés, la durée de garantie est de 180 jours. DELTA<sup>MD</sup> ne peut être tenu responsable de tout défaut confirmé issu de l'usure normale, d'une mauvaise utilisation, d'abus ou de réparations ou d'altérations faites ou expressément autorisées par quiconque autre qu'un centre de service ou un représentant de DELTA<sup>MD</sup> autorisé. En aucun cas, DELTA<sup>MD</sup> ne pourra être tenu pour responsable des dommages directs ou indirects résultant de produits défectueux. Certains États ne permettant pas l'exclusion ou la limitation des dommages directs ou indirects, la limitation ou exclusion peut ne pas s'appliquer à votre cas. Cette garantie est la seule garantie de DELTA<sup>MD</sup>, et elle devient le recours exclusif du client en ce qui concerne les produits défectueux; toute autre garantie, expresse ou implicite, que ce soit de la valeur marchande, de la capacité de remplir une fonction ou autre, est expressément exclue par DELTA<sup>MD</sup>. Pour plus de renseignements sur la couverture de la garantie et des informations sur les réparations sous garantie, rendez-vous sur notre site à l'adresse [www.DeltaMachinery.com](http://www.DeltaMachinery.com) ou appelez le 1 800 223-7278. Cette garantie vous donne des droits légaux spécifiques et vous pouvez avoir d'autres droits qui sont différents selon les États ou provinces.

**AMÉRIQUE LATINE :** Cette garantie ne s'applique pas aux produits vendus en Amérique latine. Pour les produits vendus en Amérique latine, voir les informations de garantie relatives au pays en question contenues dans le carton, appeler la société locale ou consulter la section garantie sur le site Web.



## PIÈCES DE RECHANGE

Utilisez uniquement des pièces de rechange identiques. Pour obtenir une liste de pièces ou commander des pièces, rendez-vous sur notre site à l'adresse suivante [www.DeltaMachinery.com/service](http://www.DeltaMachinery.com/service). Vous pouvez aussi commander des pièces auprès de votre représentant ou centre de service de garantie local ou en appelant le responsable du service technique au 1-800-223-7278 pour recevoir une assistance personnalisée de la part d'un de nos représentants hautement qualifié

## REPLACEMENT GRATUIT DES ÉTIQUETTES DE MISE EN GARDE

Si vos étiquettes de mise en garde sont devenues illisibles ou si vous les avez perdues, composez le 1-800-223-7278 pour un remplacement gratuit.



## SAFETY RULES

DON'T EXPOSE TO RAIN OR USE IN RAIN  
CAREFULLY READ INSTRUCTION MANUAL BEFORE OPERATING MACHINE.  
DO NOT OPERATE WITHOUT ALL GUARDS AND COVERS IN POSITION.  
BE SURE MACHINE IS ELECTRICALLY GROUNDED.  
REMOVE OR FASTEN LOOSE ARTICLES OF CLOTHING SUCH AS NECKTIES, ETC. CONFINE HAIR.  
REMOVE JEWELRY SUCH AS FINGER RINGS, WATCHES, BRACELETS, ETC.  
USE SAFETY FACE SHIELD, GOGGLES, OR GLASSES TO PROTECT EYES AND OTHER PERSONAL SAFETY EQUIPMENT AS REQUIRED.  
STOP MACHINE BEFORE MAKING ADJUSTMENTS OR CLEANING CHIPS FROM WORK AREA.  
KEEP THE FLOOR AROUND THE MACHINE CLEAN AND FREE FROM SCRAPS, SAWDUST, OIL OR GREASE TO MINIMIZE THE DANGER OF SLIPPING.

## SERVICE ET RÉPARATIONS

Tous les outils de qualité auront éventuellement besoin d'entretien ou d'un remplacement de pièces. Pour des informations au sujet de DELTA<sup>MD</sup> Power Equipment Corporation, ses filiales en usine ou pour trouver un centre de service de garantie autorisé, rendez-vous sur notre site à l'adresse [www.DeltaMachinery.com/service](http://www.DeltaMachinery.com/service) ou appelez notre service à la clientèle au 1-800-223-7278. Toutes les réparations réalisées par nos centres de service sont entièrement garanties contre les défauts de matériau et de fabrication. Nous ne pouvons garantir les réparations réalisées ou tentées par d'autres. En appelant ce numéro, vous pouvez également obtenir des réponses aux questions les plus fréquemment posées .

Vous pouvez aussi nous écrire à l'adresse suivante : DELTA<sup>MD</sup> Power Equipment Corporation, 2651 New Cut Rd Spartanburg, SC 29303- Attention : Responsable du service technique. Assurez-vous de fournir toutes les informations présentes sur la plaque de votre outil (numéro de modèle, type, numéro de série, code de date, etc.)

# STRUCCIONES IMPORTANTES DE SEGURIDAD

**⚠ ADVERTENCIA:** LEA Y COMPRENDA TODAS LAS ADVERTENCIAS E INSTRUCCIONES DE OPERACIÓN ANTES DE USAR ESTE EQUIPO. No seguir todas las instrucciones que figuran a continuación podría resultar en shock eléctrico, incendio y/o graves lesiones personales o daños a la propiedad.

Trabajar con madera puede ser peligroso si no se siguen procedimientos de operación seguros y adecuados. Tal como sucede con toda maquinaria, hay determinados peligros asociados con la operación del producto. Utilizar esta máquina con respeto y cautela disminuirá considerablemente la posibilidad de lesiones personales. Sin embargo, no observar o ignorar las precauciones normales de seguridad podría resultar en lesiones personales para el operador. Los equipos de seguridad tales como protectores, varillas para empujar, sujetadores, tablas con canto biselado, gafas, máscaras para polvo y protección auditiva pueden reducir la posibilidad de lesiones. Pero incluso el mejor protector no compensará el mal criterio, el descuido ni la falta de atención. Siempre aplique el sentido común y actúe con cautela en el taller. Si un procedimiento parece peligroso, no lo intente. Busque un procedimiento alternativo que parezca más seguro. **RECUERDE:** Su seguridad personal es su responsabilidad. Para obtener información adicional, visite nuestro sitio web en [www.DeltaMachinery.com](http://www.DeltaMachinery.com).



**⚠ ADVERTENCIA:** Esta máquina fue diseñada únicamente para determinadas aplicaciones. DELTA® Power Equipment Corporation recomienda encarecidamente que esta máquina no sea modificada y/o utilizada para ningún uso distinto de los fines para los que fue diseñada. Si tiene alguna pregunta relacionada con una aplicación en particular, NO utilice la máquina antes de haber contactado a DELTA® para determinar si puede o debe ser usada en el producto.

Si tiene alguna pregunta relacionada con su uso, NO utilice el producto hasta que haya escrito a DELTA® Power Equipment Corporation y que le hayamos dado el asesoramiento adecuado. Comuníquese con nosotros por Internet en [www.DeltaMachinery.com](http://www.DeltaMachinery.com) o por correo postal a la Dirección de Servicio Técnico (Technical Service Manager), DELTA® Power Equipment Corporation, 2651 New Cut Road, Spartanburg, SC 29303.

La información relacionada con la operación segura y adecuada de esta herramienta está disponible en las siguientes fuentes:

- Power Tool Institute, 1300 Sumner Avenue, Cleveland, OH 44115-2851 o en Internet en [www.powertoolinstitute.com](http://www.powertoolinstitute.com)
- National Safety Council, 1121 Spring Lake Drive, Itasca, IL 60143-3201
- American National Standards Institute, 25 West 43rd Street, 4 floor, New York, NY 10036 [www.ansi.org](http://www.ansi.org) - ANSI 01.1 Requisitos de seguridad para máquinas para trabajar con madera
- Reglamentaciones del Departamento del Trabajo de EE. UU. [www.osha.gov](http://www.osha.gov)

## NORMAS DE SEGURIDAD: DEFINICIONES

Este manual contiene información que es importante que usted conozca y comprenda. Esta información está relacionada con la protección de SU SEGURIDAD y la PREVENCIÓN DE PROBLEMAS CON EL EQUIPO. Para ayudarle a reconocer esta información, usamos los símbolos a continuación. Lea este manual y preste atención a estas secciones.

**⚠ PELIGRO:** Indica una situación inminentemente peligrosa que, de no evitarse, resultará en muerte o lesiones graves.

**⚠ ADVERTENCIA:** Indica una situación potencialmente peligrosa que, de no evitarse, podría resultar en muerte o lesiones graves.

**⚠ ATENCIÓN:** Indica una situación potencialmente peligrosa que, de no evitarse, puede resultar en lesiones menores o moderadas.

**⚠ ATENCIÓN:** Usado sin el símbolo de alerta de seguridad indica una situación potencialmente peligrosa que, de no evitarse, puede resultar en daños a la propiedad.

# REGLAS GENERALES DE SEGURIDAD

**▲ ADVERTENCIA:** ADVERTENCIA: NO SEGUIR ESTAS REGLAS DE SEGURIDAD PUEDE RESULTAR EN LESIONES PERSONALES GRAVES.

- **POR SU PROPIA SEGURIDAD, LEA Y COMPRENDA EL MANUAL DE INSTRUCCIONES ANTES DE OPERAR LA UNIDAD.** Conozca las aplicaciones y limitaciones de la unidad, así como los peligros específicos propios de la misma.
- **MANTENGA LIMPIA EL ÁREA DE TRABAJO.** Las áreas y los bancos desordenados pueden provocar accidentes.
- **NO LA USE EN ENTORNOS PELIGROSOS.** No use esta unidad en lugares húmedos o mojados, ni la esponja a la lluvia. Mantenga el área de trabajo bien iluminada.
- **MANTENGA ALEJADOS A LOS NIÑOS Y VISITANTES.** Todos los niños y visitantes deben mantenerse a una distancia prudente del área de trabajo.
- **DESCONECTE LA UNIDAD** antes de efectuarle tareas de mantenimiento.
- **CONTROLE LAS PIEZAS DAÑADAS.** Antes de seguir usando la unidad, repare o reemplace de forma adecuada cualquier pieza que esté dañada.

**▲ ADVERTENCIA:** NO SEGUIR ESTAS REGLAS DE SEGURIDAD PUEDE RESULTAR EN LESIONES GRAVES. corbatas, anillos, relojes y cualquier otra alhaja, y

1. Lea y comprenda los carteles de advertencia en la máquina y en este manual. No cumplir con todas estas advertencias puede causar lesiones graves.
2. Reemplace las etiquetas de advertencia si se tornan borrosas o se desprenden.
3. Esta Lijadora de Tambor Doble está diseñada y destinada para ser utilizada únicamente por personal experimentado y capacitado adecuadamente. Si no está familiarizado con la operación adecuada y segura de una lijadora de tambor, no la utilice hasta recibir la capacitación y el conocimiento adecuados.
4. No utilice esta máquina para otra cosa que no sea su uso previsto. Si se utiliza para otros propósitos, DELTA® Power Equipment Company, Inc. se exime de cualquier garantía real o implícita y se mantiene indemne ante cualquier lesión que pueda derivarse de dicha utilización.
5. Siempre use gafas de seguridad/protectores faciales aprobados mientras esté utilizando esta Lijadora de Tambor Doble.
6. Antes de operar esta lijadora de tambor, quítese arremánguese más arriba del codo. Quítese toda la ropa suelta y sujétese el cabello largo. Se recomienda el uso de calzado y franjas de piso antideslizantes. No use guantes.
7. Use protectores auditivos (tapones u orejeras) durante períodos de operación extensos.
8. Parte del polvo creado por el lijado, el aserrado, el amolado y la perforación eléctricos y otras actividades de construcción contienen productos químicos que se sabe que causan cáncer, defectos congénitos y otros daños reproductivos. Algunos ejemplos de estos productos químicos son:
  - Plomo de pinturas a base de plomo.
  - Sílice cristalino de ladrillos, cemento y otros productos de albañilería.
  - Arsénico y cromo de madera tratada químicamente.

Su riesgo de exposición varía dependiendo de la frecuencia con la que realice este tipo de trabajo. Para reducir su exposición a estos productos químicos, trabaje en un área bien ventilada y trabaje con equipos de seguridad aprobados, como máscaras faciales y para polvo que estén específicamente diseñadas para no dejar pasar las partículas microscópicas.

1. No opere esta máquina cuando esté cansado o bajo los efectos de drogas, alcohol o cualquier medicamento.
2. Asegúrese de que el interruptor esté en la posición OFF (APAGADO) antes de conectar la máquina a una fuente de alimentación.
3. Asegúrese de que la máquina esté conectada a tierra de forma adecuada.
4. Desenchufe la máquina de la fuente de alimentación para realizar todos los ajustes y el mantenimiento de la misma.
5. Fórmese el hábito de controlar que todos los equipos adicionales, tales como llaves de ajuste, llaves, descartes, material y paños de limpieza, se retiren lejos de la máquina antes de encenderla.
6. Mantenga los protectores de seguridad en su lugar en todo momento cuando la máquina esté en uso. Si se quitan por razones de mantenimiento, aplique extrema precaución y vuelva a colocar los protectores inmediatamente cuando se complete el mantenimiento.
7. Asegúrese de que la lijadora de tambor esté firmemente asegurada al piso antes de usarla.
8. Controle si hay piezas dañadas. Antes de seguir utilizando la máquina, debe controlarse cuidadosamente si el protector u otra pieza está dañada, para determinar que funcionará adecuadamente y desempeñará su función prevista. Controle la alineación de las piezas móviles, la unión de las piezas móviles, si hay piezas rotas, el montaje y cualquier otra condición que pueda afectar su funcionamiento. Un protector

- u otra parte que estén dañados deben repararse o reemplazarse adecuadamente.
9. Provea un espacio adecuado alrededor del área de trabajo e iluminación superior antirreflejo.
  10. Mantenga el piso alrededor de la máquina limpio y libre de descartes de material, aceite y grasa.
  11. Mantenga a los visitantes a una distancia prudente del área de trabajo. Mantenga alejados a los niños.
  12. Haga su taller a prueba de niños, mediante candados, interruptores generales o sacando las llaves de encendido.
  13. Preste absoluta atención a su trabajo. Mirar alrededor, mantener una conversación y hacer “payasadas” son acciones descuidadas que pueden resultar en lesiones graves.
  14. Mantenga una postura balanceada en todo momento para que no se caiga ni se apoye sobre la correa de lijado u otras piezas móviles. No se extralimite ni aplique fuerza excesiva para realizar cualquiera de las operaciones de la máquina.
  15. Utilice la herramienta correcta, a la velocidad y tasa de alimentación adecuadas. No fuerce una herramienta o acoplamiento para que realicen un trabajo para el cual no fueron diseñados. La herramienta adecuada realizará mejor el trabajo y de manera más segura.
  16. Utilice los accesorios recomendados; los accesorios incorrectos pueden ser peligrosos.
  17. Realice el mantenimiento de la maquinaria con cuidado. Siga las instrucciones para lubricar y cambiar los accesorios.
  18. Apague la máquina antes de limpiarla. Utilice un cepillo o aire comprimido para quitar el polvo o la suciedad; no utilice sus manos.
  19. No se pare sobre la máquina. Si la máquina se vuelca, podrían ocurrir lesiones graves.
  20. Nunca deje la máquina funcionando sin supervisión. Apáguela y no deje la máquina hasta que haya detenido completamente.
  21. Sujete el material con firmeza en todo momento.
  22. No utilice esta lijadora para otra cosa que no sea su uso previsto. Si se utiliza para otros propósitos, DELTA® Power Equipment Company, Inc. se exime de cualquier garantía real o implícita y se mantiene indemne ante cualquier lesión o daño que pueda derivarse de dicho uso.

**GUARDE ESTAS INSTRUCCIONES.**  
Consúltelas con frecuencia y utilícelas para instruir a otros.

# BRANCHEMENTS

Se debe utilizar un circuito eléctrico por separado para sus máquinas. Este circuito no debe ser inferior a un cable calibre 12 y debe estar protegido con un fusible con retardo de tiempo de 20 Amp. Si se utiliza un alargador eléctrico, utilice únicamente alargadores eléctricos trifilares con enchufes del tipo que tienen 3 clavijas con conexión a tierra y el tomacorriente correspondiente que acepte el enchufe de la máquina. Antes de conectar la máquina a la línea de alimentación, asegúrese de que el interruptor esté en la posición "OFF" (APAGADO) y asegúrese de que la corriente eléctrica sea de las mismas características que se indican en la máquina. Todas las conexiones a la línea deben hacer buen contacto. Hacerla funcionar en baja tensión dañará la máquina.

**⚠ PELIGRO:** NO EXPONGA LA MÁQUINA A LA LLUVIA NI LA OPERE EN LUGARES HÚMEDOS.

## ESPECIFICACIONES DEL MOTOR

Su máquina está cableada para 230 voltios de corriente alterna a 60 Hz. Antes de conectar la máquina a una fuente de alimentación, asegúrese de que el interruptor esté en la posición "OFF" (APAGADO).

**⚠ PELIGRO:** ESTA MÁQUINA DEBE ESTAR CONECTADA A TIERRA MIENTRAS ESTÉ EN USO PARA PROTEGER AL OPERADOR DE SHOCK ELÉCTRICO.

## INSTRUCCIONES DE CONEXIÓN

### 1. Todas las máquinas conectadas con cables y con conexión a tierra:

En caso de mal funcionamiento o avería, la conexión a tierra proporciona un pasaje de menor resistencia para la corriente eléctrica para reducir el riesgo de shock eléctrico. Esta máquina está equipada con un cable eléctrico, que tiene un conductor que conecta el equipo a tierra y un enchufe de conexión a tierra. El enchufe debe estar enchufado en un tomacorriente correspondiente, que esté instalado y conectado a tierra correctamente, según todos los códigos y ordenanzas locales.

No modifique el enchufe suministrado; si no calza en el tomacorriente, haga instalar el tomacorriente adecuado por un electricista certificado. Conectar incorrectamente el conductor que conecta el equipo a tierra puede resultar en riesgo de shock eléctrico. El conductor con el aislamiento que tiene una superficie exterior verde con o sin rayas amarillas es el conductor que conecta el equipo a tierra. Si es necesario reparar o reemplazar el cable eléctrico o el enchufe, no conecte el conductor que conecta el equipo a tierra a una terminal activa.

Consulte con un electricista certificado o con el personal de servicio de mantenimiento si las instrucciones de conexión a tierra no se comprenden completamente o si tiene dudas sobre si la máquina está conectada a tierra adecuadamente.

Utilice únicamente alargadores eléctricos trifilares con enchufes del tipo que tienen tres clavijas y tomacorrientes correspondientes de 3 conductores que acepten el enchufe de la máquina, como se muestra en la Fig. A.

Repare o reemplace inmediatamente el cable que esté dañado o gastado.

**⚠ PELIGRO:** EN TODOS LOS CASOS, ASEGÚRESE DE QUE EL TOMACORRIENTE EN CUESTIÓN ESTÉ CONECTADO A TIERRA CORRECTAMENTE. SI NO ESTÁ SEGURO, HAGA QUE UN ELECTRICISTA CERTIFICADO VERIFIQUE EL TOMACORRIENTE.

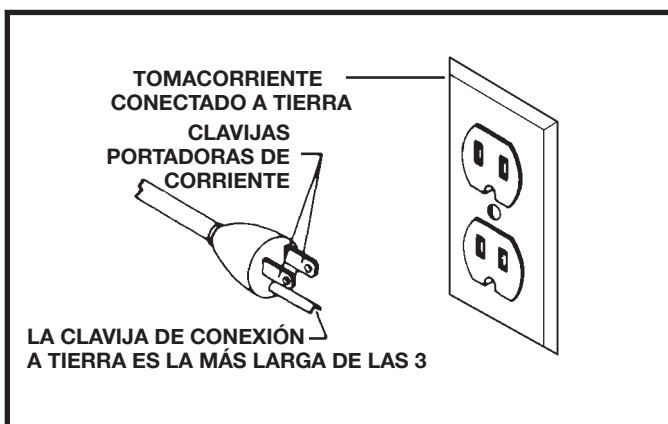


FIG. A

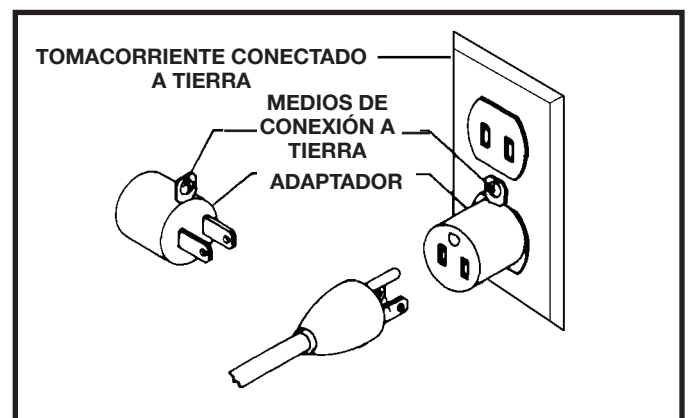


FIG. B

# CABLES DE EXTENSIÓN

**⚠ ATENCIÓN:** Utilice cables de extensión adecuados.

Asegúrese de que su cable de extensión esté en buenas condiciones y que sea una extensión de 3 cables que cuente con un enchufe de conexión a tierra de 3 clavijas y tomacorriente coincidente compatible con el enchufe de la máquina. Cuando utilice un cable de extensión, asegúrese de utilizar uno lo suficientemente grueso para resistir la corriente de la máquina. Un cable de alimentación de menor tamaño provocará una caída de tensión de la línea, lo que generará pérdida de corriente y sobrecalentamiento. La Fig. C muestra el diámetro indicado para utilizar en función de la longitud del cable. En caso de duda, use el siguiente diámetro más grueso. Cuanto menor sea el número de diámetro, más grueso será el cable.

| CABLE DE EXTENSIÓN DE DIÁMETRO MÍNIMO                          |         |                                  |                                |
|--|---------|----------------------------------|--------------------------------|
| TAMAÑOS RECOMENDADOS PARA SU USO CON MÁQUINAS ELÉCTRICAS FIJAS |         |                                  |                                |
| Calificación de amperios                                       | Voltios | Longitud total del cable en pies | Diámetro de cable de extensión |
| 0-6  | 120     | hasta 25                         | 18 AWG                         |
| 0-6  | 120     | 25-50                            | 16 AWG                         |
| 0-6  | 120     | 50-100                           | 16 AWG                         |
| 0-6  | 120     | 100-150                          | 14 AWG                         |
| 6-10   | 120     | hasta 25                         | 18 AWG                         |
| 6-10   | 120     | 25-50                            | 16 AWG                         |
| 6-10   | 120     | 50-100                           | 14 AWG                         |
| 6-10   | 120     | 100-150                          | 12 AWG                         |
| 10-12  | 120     | hasta 25                         | 16 AWG                         |
| 10-12  | 120     | 25-50                            | 16 AWG                         |
| 10-12  | 120     | 50-100                           | 14 AWG                         |
| 10-12  | 120     | 100-150                          | 12 AWG                         |
| 12-16  | 120     | hasta 25                         | 14 AWG                         |
| 12-16  | 120     | 25-50                            | 12 AWG                         |
| 12-16  | 120     | NO SE RECOMIENDA MÁS DE 50 PIES  |                                |

FIG. C

# CARACTERÍSTICAS IMPORTANTES ET COMPOSANTES

1. Cinta de alimentación de velocidad variable
2. Motor de servicio continuo de 3HP
3. Tambores dobles de 26"
4. Cursor de elevación de lijado
5. Manivela de elevación
6. Ensamblado del interruptor

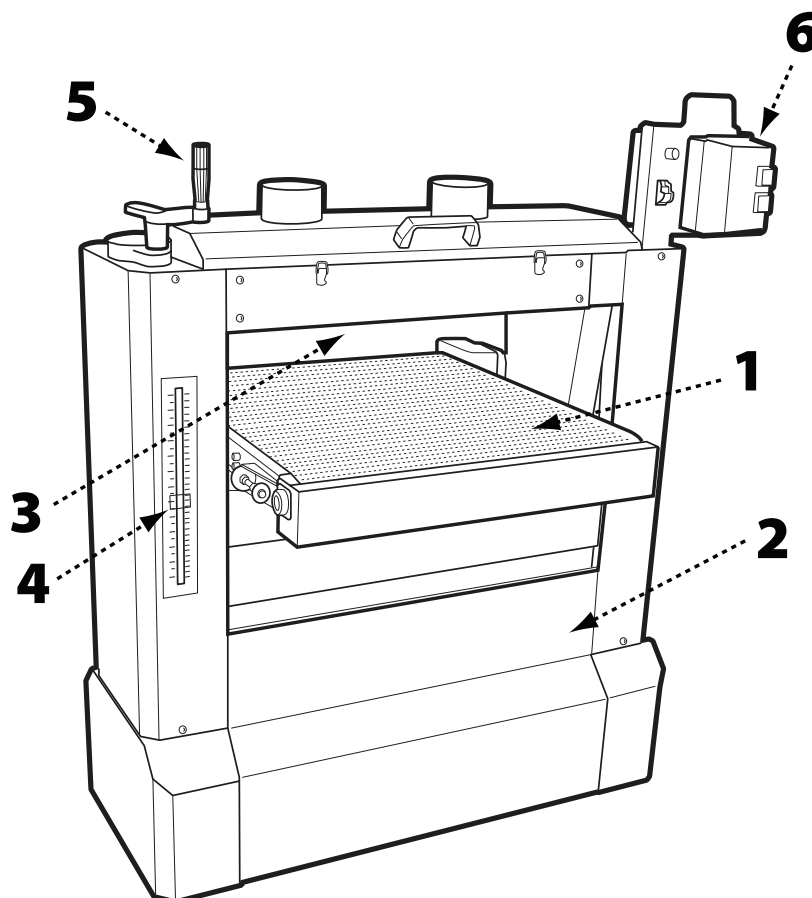


FIG. 1

# DESCRIPCIÓN FUNCIONAL

La Lijadora DELTA® de Tambor Doble de 26", Modelo 31-481, está específicamente diseñada para manejar tanto el proceso de lijado preliminar como el de lijado final en una sola pasada. Esta máquina cuenta con una mesa de alimentación automática de altura ajustable y tiene correas de lijado precortadas de grano 80 y grano 120 ya instaladas. Esta lijadora de tambor doble está impulsada por un motor sellado de servicio continuo de 3HP, con una velocidad de alimentación variable que le permite a usted trabajar entre 3 y 20 pies de superficie por minuto (surface feet per minute, SFPM). La cinta de alimentación ancha acepta un material de hasta 25 1/2" de tamaño y le permite lijar piezas de hasta 12 1/4" de espesor.

## ESPECIFICACIONES DEL PRODUCTO

| ESPECIFICACIONES DEL MOTOR DEL TAMBOR                  |                                       |
|--|---------------------------------------|
| Tipo   | Rodamiento por inducción/<br>Servicio |
| Caballos de fuerza                                     | 3HP                                   |
| Amperes  | 16A                                   |
| Voltaje  | 230V                                  |
| Fase   | Simple                                |
| Hercios  | 60Hz                                  |
| RPM  | 3,450                                 |
| SPÉCIFICATIONS DU MOTEUR DE LA COURROIE D'ALIMENTATION |                                       |
| Tipo   | Universal                             |
| Caballos de fuerza                                     | 1/6                                   |
| ESPECIFICACIONES DEL PRODUCTOALIMENTACIÓN              |                                       |
| Ancho de lijado máximo                                 | 25-1/2"                               |
| Espesor máximo de las tablas                           | 12-1/4"                               |
| Espesor mínimo de las tablas                           | 1/4"                                  |
| Largo mínimo de las tablas                             | 6"                                    |

| Velocidad de alimentación      | 3-20 FPM (variable) |
|--------------------------------|---------------------|
| Cantidad de tambores de lijado | 2                   |
| Tamaño de los tambores         | 5" x 26"            |
| Velocidad de los tambores      | 1,550 RPM           |
| Abertura para recolección de   | 2-4"                |
| DIMENSIONES DEL PRODUCTO       |                     |
| Base de apoyo                  | 17-3/4" x 43"       |
| Largo                          | 31"                 |
| Ancho                          | 46"                 |
| Altura                         | 53"                 |
| Peso                           | 485 lbs.            |
| DIMENSIONES DE ENVÍO           |                     |
| Tipo de caja                   | Caja de madera      |
| Largo                          | 33"                 |
| Ancho                          | 48"                 |
| Altura                         | Altura              |
| Peso total                     | 535 lbs.            |

## DESEMBALAJE

**⚠ ADVERTENCIA:** Esta máquina es pesada, ¡sea cuidadoso cuando la retire del contenedor de envío! ¡No cumplir con este requisito puede causar lesiones graves y/o daños a la lijadora y/o a la propiedad!

Su Lijadora DELTA® de Tambor Doble viene empacada en un único contenedor. Utilice una correa de seguridad para evitar que se vuelque cuando levante la máquina. Controle que la caja de envío y la máquina no muestren daños antes de desembalarla. Abra el contenedor de envío. Con cuidado, quite los materiales de embalaje, las piezas y la máquina de la caja de envío. Siempre busque y retire los materiales de protección de envío que se encuentran alrededor de los motores y las piezas móviles. Ponga todas las piezas sobre una superficie de trabajo limpia y controle que todas las partes estén presentes y en buenas condiciones:

### DESCRIPCIÓN (CANTIDAD)

Lijadora Delta de Tambor Doble de 26" (1)

Llave de boca fija de 12 mm (1)  
Manija de elevación (1)

Llave allen de 5 mm (1)

Llave en "T" de 6 mm (1)

Llave en "T" de 2 mm (1) Soporte de elevación (1)

Compare los elementos con las cifras del inventario; verifique que todos los elementos estén presentes antes de desechar la caja de envío. Informe a su distribuidor o comerciante sobre cualquier pieza faltante o dañada. Antes de ensamblar y utilizar la herramienta, lea este manual íntegramente para familiarizarse con el ensamblaje, el mantenimiento y los procedimientos de seguridad adecuados.

Quite cualquier material y revestimiento de protección de todas las piezas y de la lijadora de tambor. Los revestimientos de protección pueden quitarse rociándolos con WD-40 y limpiándolos con un paño suave. Es posible que se necesite hacer esto varias veces antes de que se quiten completamente todos los revestimientos de protección.

**⚠ ADVERTENCIA:** Si hay alguna pieza faltante, no intente enchufar el cable de alimentación y encender (poner en "ON") la máquina. Esta máquina debe encenderse (ponerse en "ON") únicamente después de que se hayan obtenido todas las piezas y que estas se hayan instalado correctamente.

# ASSEMBLAGE

## HERRAMIENTAS NECESARIAS

- Destornillador de cabeza plana
- Llave de boca fija de 10 mm

## ASEGURE LA CAJA DEL INTERRUPTOR AL ARMAZÓN

Herramientas necesarias: Llave de boca fija de 10 mm

Piezas: Ninguna

Elementos de ferretería necesarios: Dos tornillos con cabeza allen de 10 mm

1. Ubique los dos orificios roscados en la parte superior derecha de la máquina como se muestra en la Fig. 2.
2. Sujete los dos tornillos con cabeza allen de 10 mm a la placa de montaje, dejando aproximadamente 1/8" entre el tornillo y la placa de montaje.
3. Monte el ensamblado del interruptor (A) al marco de la máquina alineando los orificios (B) en el ensamblado del interruptor sobre las cabezas de los tornillos y empujando el ensamblado hacia atrás y en la posición requerida.
4. Ajuste los tornillos utilizando la llave de boca fija de 10 mm.

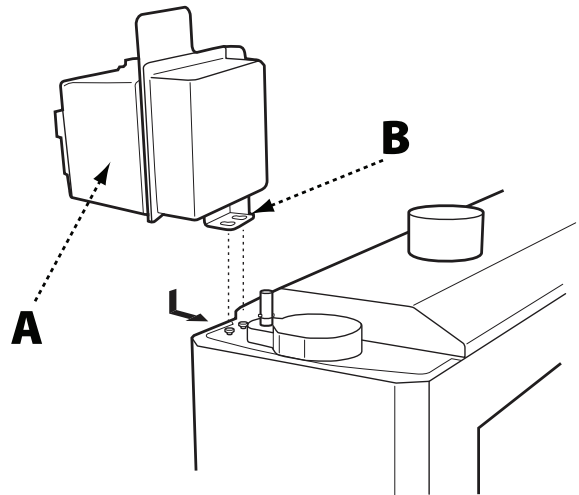


FIG. 2

## ENSAMBLE LA MANIVELA Y MANIJA DE ELEVACIÓN DE LA MESA

Herramientas necesarias: Ninguna

Piezas: Manivela de elevación de la mesa  
Manija de elevación de la mesa

Elementos de ferretería necesarios: Ninguno

1. Instale la manivela de elevación de la mesa (C) alineando la ranura de la parte inferior de la manivela con el perno del eje (D). Consulte la Fig. 3.
2. Atornille la manija de elevación de la mesa en el orificio roscado en la manivela de elevación de la mesa.

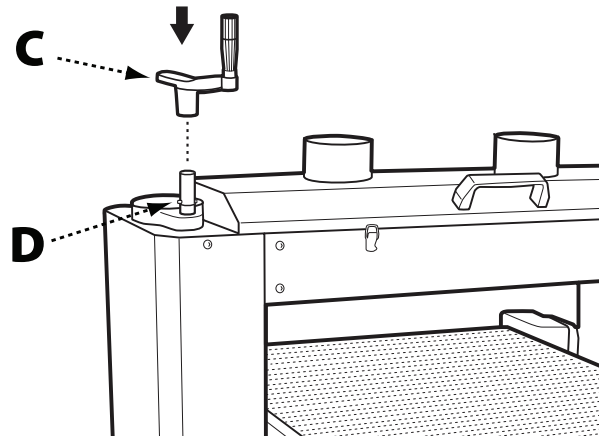


FIG. 3

## CONECTE LOS COLECTORES DE POLVO A LA ABERTURA PARA RECOLECCIÓN DE POLVO

Herramientas necesarias: Destornillador de cabeza plana

Piezas: Ninguna

Elementos de ferretería necesarios: Dos anillos de sujeción de 4" (no proporcionados)

**⚠ ADVERTENCIA:** Su Lijadora DELTA® de Tambor Doble está equipada con dos aberturas para recolección de polvo de 4 pulgadas. Estos deben estar conectados a mangueras de recolección de polvo para asegurar un funcionamiento seguro.

No intente operar esta herramienta sin conectarla primero a un sistema de recolección de polvo adecuado.

1. Coloque un anillo de sujeción de 4" sobre el extremo de cada una de las mangueras de recolección de polvo.
2. Coloque una manguera de recolección de polvo sobre cada una de las aberturas para recolección de polvo y ajuste el anillo de sujeción con el destornillador de cabeza plana.



## PARA REEMPLAZAR LA CORREA DE LIJADO

1. Levante el protector superior e inclínelo hacia la parte trasera de la máquina para exponer los tambores.
2. Ubique la abrazadera con cierre de resorte (A) en el extremo derecho del tambor. Apriete la abrazadera para abrirla y quite el extremo de la correa de lijado (B) de la ranura del tambor. Consulte la Fig. 4.
3. Saque lentamente la correa de lijado vieja del tambor.
4. Apriete la abrazadera con cierre de resorte sobre el extremo izquierdo del tambor y quite la correa de lijado vieja.
5. Apriete la abrazadera con cierre de resorte sobre el extremo izquierdo del tambor e inserte aproximadamente 2 pulgadas del extremo de la nueva correa de lijado dentro de la ranura del tambor.
6. Suelte la abrazadera para trabar el extremo de la correa en su lugar.
7. Rodando el rodillo con la mano, cuidadosamente bobine la correa de lijado en torno al tambor, asegurándose de mantenerla ajustada. Los bordes de la correa deben juntarse sin superponerse.
8. Apriete la abrazadera con cierre sobre el extremo derecho del tambor e inserte en la ranura la mayor cantidad posible de correa de lijado.
9. Suelte la abrazadera para trabar la correa en su lugar.
10. Ruede el rodillo con la mano para asegurar que la correa esté ajustada y los bordes se junten sin superponerse.

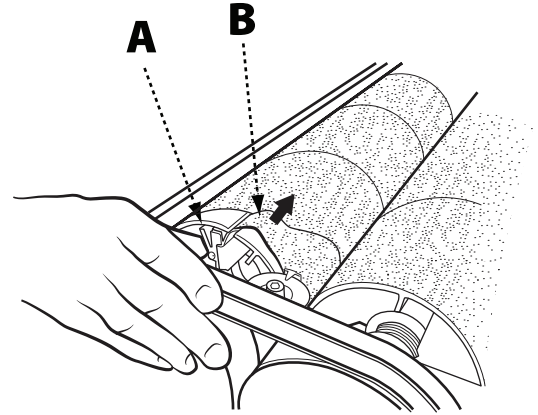


FIG. 4

**NOTA:** La Lijadora de Tambor Doble está diseñada para lograr lijados ásperos y finos en una sola pasada. Por lo tanto, siempre se debe instalar la correa de lijado más áspera en el rodillo frontal y la correa más fina en el rodillo trasero.

## PARA AJUSTAR LA ALINEACIÓN DE LA CINTA DE ALIMENTACIÓN

Para una alimentación adecuada del material, ambos lados de la cinta de alimentación deben desplazarse exactamente a la misma velocidad. Si la cinta de alimentación tira hacia la derecha o hacia la izquierda durante el funcionamiento, usted necesitará ajustar la tensión.

**NOTA:** Si la cinta tira hacia la izquierda, ajuste el perno de tensión izquierdo. Si tira hacia la derecha, ajuste el perno de tensión derecho.

1. Ubique los pernos de tensión de la cinta de alimentación como se muestra en la Fig. 5.
2. Encienda la lijadora, dependiendo de la dirección a la que tire la cinta de alimentación, utilice una llave allen de 6 mm para ajustar el perno de ajuste izquierdo o derecho en incrementos de 1/4 de vuelta hasta que la cinta de alimentación tire de manera uniforme.

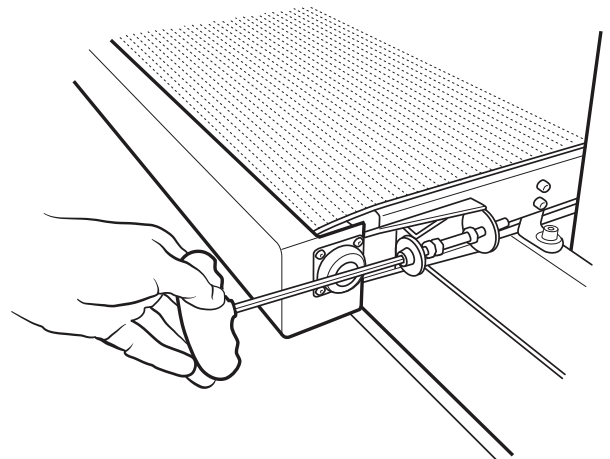


FIG. 5

## PARA AJUSTAR LA TENSIÓN DE LA CORREA DE TRANSMISIÓN

1. Quite el cursor de elevación desatornillando el tornillo que lo sujeta.
2. Quite los ocho pernos con cabeza Phillips y las arandelas que están sujetando los protectores laterales derecho e izquierdo (A) a la máquina y quite los protectores. Consulte la Fig. 6.
3. Utilice una llave allen de 6 mm para quitar los cuatro pernos con cabeza allen y las arandelas que están sujetando el protector inferior (B) a la máquina. Consulte la Fig. 7.
4. Eleve los paneles telescópicos (C) lo suficiente como para exponer el soporte del motor (D). Consulte la Fig. 7. Apuntale usando un bloque de descartes de madera.
5. Ubique las dos tuercas M12 (E) que elevan y bajan el motor. Consulte la Fig. 7.
6. Para aumentar la tensión sobre las correas de transmisión, afloje las tuercas inferiores y luego ajuste las tuercas superiores.
7. Suelte los paneles telescópicos para volverlos a su lugar y vuelva a asegurar el protector inferior.
8. Vuelva a colocar los protectores laterales y el cursor de elevación.

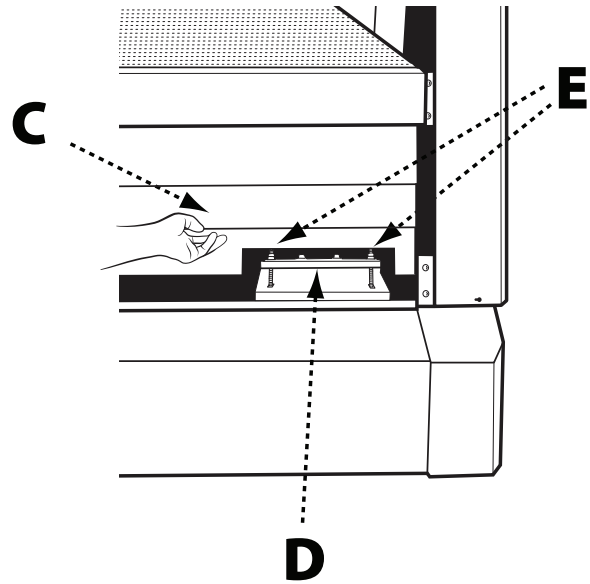


FIG. 7

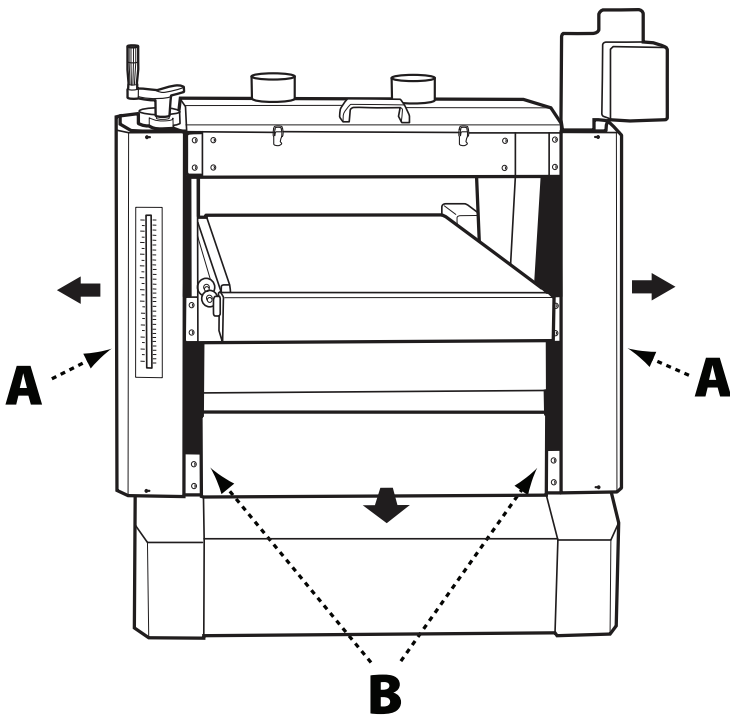


FIG. 6

## PARA REEMPLAZAR LA CINTA DE ALIMENTACIÓN

**⚠ ADVERTENCIA:** Este paso necesita de dos adultos. La mesa de alimentación es pesada, sea cuidadoso cuando la desconecte y la quite de la máquina. ¡No cumplir con este requisito puede causar lesiones graves y/o daños a la lijadora y/o a la propiedad!

1. Utilizando la manivela y la manija de elevación de la mesa, baje la mesa hasta el tope.
2. Afloje la tensión sobre la cinta de alimentación aflojando las tuercas de sujeción (A) en los pernos de ajuste de la cinta de alimentación (Fig. 8) y luego ajustando los pernos de ajuste de la cinta de alimentación (B) hasta que estén lo suficientemente flojos como para quitar el ensamblado de la cinta de alimentación.
3. Afloje pero no quite los ocho tornillos con cabeza Phillips (C) que están sosteniendo los rodamientos a cada lado del frente de la mesa de alimentación. Consulte la Fig. 9.
4. Quite el protector frontal (D) deslizándolo hacia adelante.
5. Ubique y quite los cuatro tornillos con cabeza allen de 6 mm (E) que están asegurando la mesa de alimentación a la base. Consulte la Fig. 10.
6. Con la ayuda de otro adulto, quite cuidadosamente la mesa de alimentación a través de la parte trasera de la máquina teniendo cuidado de inclinarla lejos de la carcasa del motor.
7. Coloque la mesa de alimentación sobre su costado y quite la cinta de alimentación gastada.
8. Deslice a su lugar la nueva cinta de alimentación cuidadosamente.
9. Vuelva a deslizar el ensamblado de la cinta de alimentación en la base de la máquina a través de la parte trasera, teniendo cuidado de no dañar la carcasa del motor.
10. Vuelva a colocar los cuatro tornillos con cabeza allen de 6 mm y ajústelos para asegurar la mesa de alimentación a la base de la máquina.
11. Vuelva a colocar el protector frontal y reajuste los tornillos con cabeza Phillips sobre cada rodamiento.
12. Vuelva a tensionar la cinta de alimentación.
13. Ajuste la alineación como se describe en la página 41.

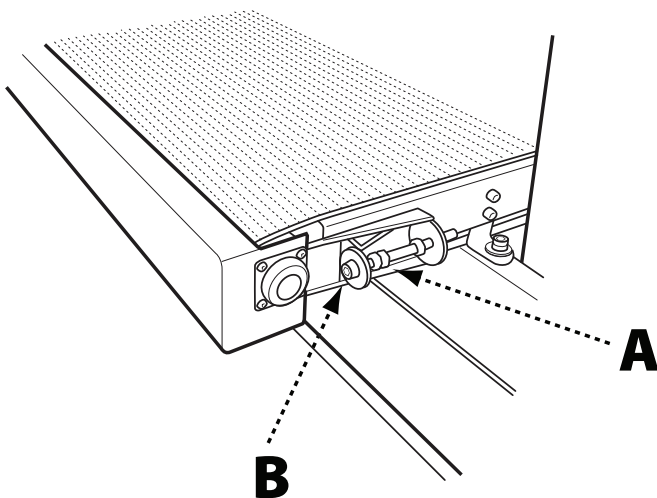


FIG. 8

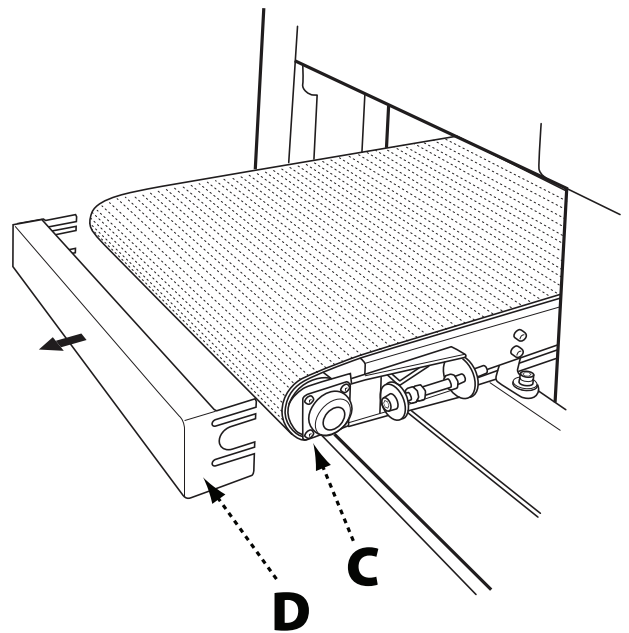


FIG. 9

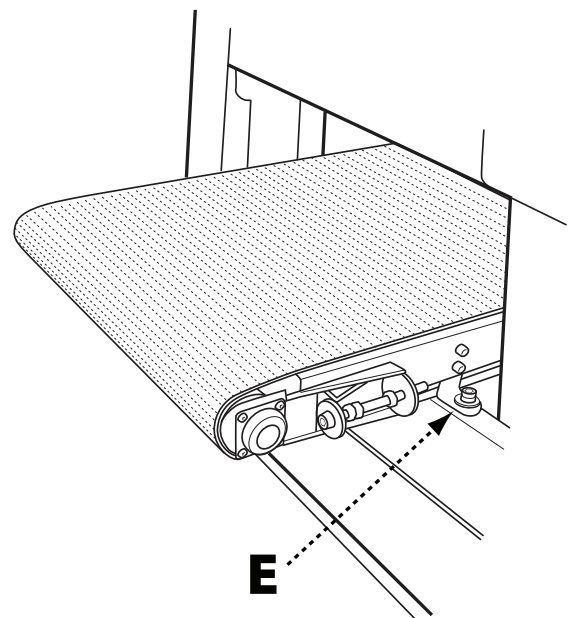


FIG. 10

# AJUSTES

## PARA AJUSTAR EL PARALELISMO DE LOS TAMBORES DE LIJADO

El tambor de lijado frontal ha sido ajustado de fábrica y no necesita más ajustes. El paralelismo del tambor de lijado trasero debe ser ajustado.

1. Levante el protector superior e inclínelo hacia la parte trasera de la máquina para exponer los tambores de lijado.
2. Utilizando la llave de 6 mm suministrada, rote los tornillos hexagonales, indicados en la Fig. 11, en cada uno de los extremos del tambor trasero.
3. Girar los tornillos hexagonales en el sentido de las agujas del reloj elevará el tambor mientras que girarlos en el sentido opuesto a las agujas del reloj lo bajará.
4. Repita esta configuración en el extremo opuesto del tambor.
5. Vuelva a colocar el protector superior en su posición original encima de los tambores.

**NOTA:** Para que la máquina funcione de forma adecuada, la configuración debe ser idéntica en ambos extremos del tambor.

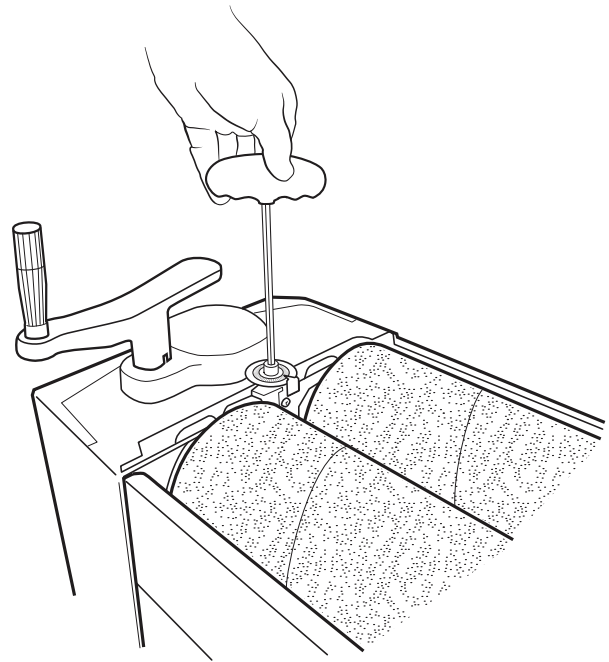


FIG. 11

## PARA AJUSTAR LA PRESIÓN DE LOS RODILLOS

Los rodillos de presión mantienen la tensión sobre la pieza de trabajo a medida que pasa a través de la máquina. Si el material no pasa a través de la máquina o la superficie terminada no es uniforme, es posible que sea necesario ajustar la tensión de los rodillos de presión.

1. Levante el protector superior e inclínelo hacia la parte trasera de la máquina para exponer los tambores de lijado.
2. Ubique los tornillos de ajuste de presión de los rodillos como se indica en la Fig. 12.
3. Utilizando un destornillador con cabeza Phillips, gire los tornillos en el sentido de las agujas del reloj para aumentar la presión del rodillo sobre la pieza de trabajo, o en el sentido opuesto para disminuir la presión.
4. Ajuste ambos lados de los rodillos de presión para asegurar el paralelismo con los tambores.
5. Vuelva a colocar el protector superior en su posición original encima de los tambores.

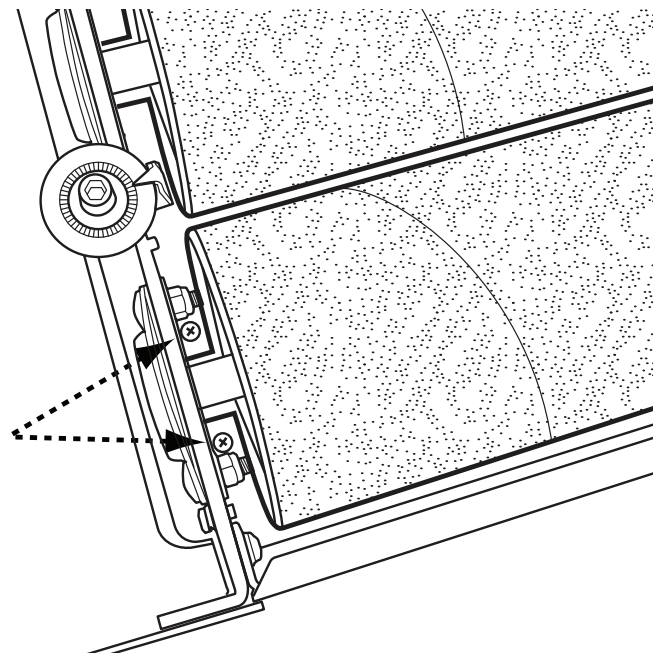


FIG.12

### ⚠ ATENCIÓN:

No ajuste demasiado el tornillo de ajuste. Demasiada presión de los rodillos no permitirá que la pieza de trabajo pase a través de la máquina y puede causar que la cinta de alimentación se detenga.

# AJUSTES

## PARA AJUSTAR LA ALTURA DE LOS TAMBORES

Para acomodar diferentes granos abrasivos en los tambores, debe variar la altura de los tambores a la pieza de trabajo. La altura del tambor frontal ha sido establecida de fábrica y no debe modificarse. El tambor trasero está diseñado para facilitar el ajuste.

1. Levante el protector superior e inclínelo hacia la parte trasera de la máquina para exponer los tambores de lijado.
2. Ubique el tornillo de ajuste de altura de los tambores como se muestra en la Fig. 13.
3. Rote el tornillo de ajuste a la medida deseada.
4. Repita la misma configuración en el extremo opuesto del rodillo para mantener la orientación paralela al frente del tambor.
5. Vuelva a colocar el protector superior en su posición original encima de los tambores.

**NOTA:** Para que la máquina funcione de forma adecuada, la configuración debe ser idéntica en ambos extremos del tambor.

**NOTA:** La tabla de la derecha muestra las configuraciones adecuadas en base a los granos de lijado.

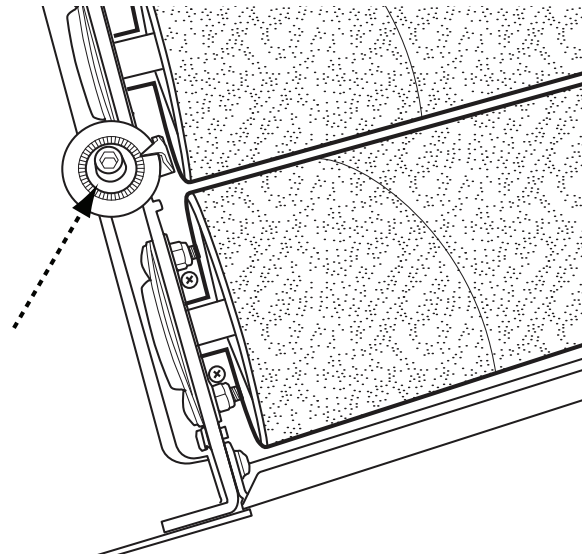


FIG. 13

| Front Grit / Rear Grit            | Setting (mm) |
|-----------------------------------|--------------|
| 80/100, 120/150, 120/180, 150/220 | 0.15         |
| 80/120, 100/150, 100/180          | 0,0          |
| 60/100, 36/38                     | 0.40         |
| 36/120                            | 0.56         |
| 36/60                             | 0.76         |
| 36/80                             | 0.9          |

# OPERACIÓN

El procedimiento básico de operación para la Lijadora de Tambor Doble es el siguiente:

1. Establecer la profundidad de extracción de la madera y configurar la altura de la mesa.
2. Poner en marcha los tambores.
3. Poner en marcha la cinta de alimentación y seleccionar la tasa de alimentación adecuada.
4. Asegurarse de que el sistema de recolección de polvo esté funcionando.
5. Alimente el material a través de la máquina.

## CONSEJOS PARA LA OPERACIÓN

### DETERMINACIÓN DE LA PROFUNDIDAD DE EXTRACCIÓN DE LA MADERA

Dadas las variables de la abrasión de los granos, el tipo de madera y la tasa de alimentación, es posible que determinar la profundidad de extracción adecuada necesite un poco de experimentación. Para obtener mejores resultados, utilice descartes de madera para practicar el lijado y desarrollar habilidad y familiarizarse con la máquina antes de realizar trabajos finales. También considere cualquier concavidad y/o moldura en la pieza de trabajo.

Una buena regla general cuando se lija con granos más finos que 80 es bajar el tambor para que esté en contacto con la pieza de trabajo pero el tambor todavía se pueda rotar con la mano. Para granos más ásperos que 80, baje el tambor un poco más.

### LIJADO DE MATERIAL IMPERFECTO

Cuando lije material con una concavidad o nudo, ubique el nudo hacia arriba. Esto estabilizará el material para ayudar a evitar que se vuelque o balancee durante el lijado. Después de que se haya eliminado el nudo y la parte superior esté plana, de vuelta el material y lije el lado opuesto. Para evitar lesiones personales, tenga cuidado especial cuando lije material que esté retorcido, doblado o que de alguna manera varíe en espesor de un extremo a otro.

Si es posible, sostenga dicho material mientras se esté lijando para evitar que se resbale o se vuelque. Utilice un rodillo de soporte extra, ayuda de otra persona o haga presión con la mano sobre el material para minimizar las situaciones potencialmente peligrosas.

# CONSEJOS PARA LA OPERACIÓN

## ÁNGULO DE ALIMENTACIÓN DEL MATERIAL

Algunas piezas, debido a sus dimensiones, necesitarán ser alimentadas en la máquina a un ángulo de 90 grados (perpendicular a los tambores). Sin embargo, incluso un leve ángulo de desplazamiento del material permitirá una extracción más efectiva del mismo. El ángulo de alimentación óptimo es aproximadamente 60 grados. Inclinar la pieza de trabajo para extraer el material proporciona otras ventajas, como menor carga sobre ciertas áreas de los tambores debido a líneas de pegamento o vetas minerales en el material, desgaste más uniforme de las bandas abrasivas, tasas de alimentación potencialmente más rápidas y cargas más livianas sobre el motor. Para el obtener el mejor acabado final, sin embargo, el material debe alimentarse con el grano en la última o penúltima pasadas.

## LIJADO DE MÚLTIPLES PIEZAS

Cuando lije múltiples piezas de forma simultánea, asegúrese de apilar (escalonar) las piezas a lo ancho de la cinta de alimentación. Las piezas múltiples también deben ser de espesores similares, lo cual ayuda a asegurar un contacto continuo con los rodillos de presión.

## LIJADO DE MARCOS FRONTALES Y PUERTAS EN TABLERO

Es importante tener el contacto abrasivo adecuado cuando realice este tipo de lijado. Si la máquina está configurada para recibir una profundidad de corte excesiva, el resultado puede ser una hendidura o depresión cuando el tabor pasa de lijar los rieles a todo el ancho, a lijar solo unas pocas pulgadas del ancho de los marcos.

## LIJADO DE BORDES

Cuando lije bordes, la lijadora imitará al borde opuesto del material que esté apoyado sobre la cinta de alimentación. Debido a esto, es importante que el borde del material haya sido cortado con el ángulo adecuado para el marco antes del proceso de lijado. Cuando lije los bordes de material pequeño, sujete varias piezas juntas para evitar que se resbalen sobre la cinta de alimentación.

# SELECCIÓN DE LOS ABRASIVOS ADECUADOS

El material abrasivo que elija tendrá un efecto considerable sobre el desempeño de su lijadora. La variaciones en el tipo, el peso, el revestimiento y la durabilidad del papel, todas contribuyen a alcanzar el acabado que desea.

Como con cualquier operación de lijado, primero comience lijando con un grano más áspero, dependiendo de la aspereza del material o la cantidad de material a eliminar. Luego trabaje progresivamente hacia granos más finos. Esto significa que si está utilizando dos granos diferentes en su Lijadora de Tambor Doble 31-481, el grano más áspero siempre debe ubicarse en el tambor frontal.

La cantidad de material a eliminar es una consideración importante al elegir inicialmente el grado del grano. Los granos 36 y 60 están diseñados principalmente para la eliminación de material; granos mayores a 100 son principalmente granos de acabado diseñados para eliminar el patrón de rayado del uso de granos anteriores.

Para obtener mejores resultados, nunca omita más de un grado de grano cuando avance a través de la secuencia de lijado. Para trabajos finos, como muebles, trate de no omitir ningún grado de grano durante el proceso de lijado. En general, los abrasivos de más alta calidad producirán un mejor acabado con un patrón de rayado menos visible.

**PRECAUCIÓN:** Los granos que son muy finos a veces pueden bruñir la madera y dejar una superficie brillante

que no aceptará tinturas de manera uniforme. Esto variará según el tipo de madera. El roble, por ejemplo, es susceptible al bruñido debido a sus poros abiertos.

## BANDAS ABRASIVAS LISTAS PARA CORTAR

| DESCRIPCIÓN                | USO NORMAL  |
|----------------------------|---|
| Papel de lija de grano 60  | acabado y dimensionamiento de tablas, rectificación de tablas alabeadas |
| Papel de lija de grano 80  | acabado, dimensionamiento leve, eliminación de las ondas                |
| Papel de lija de grano 120 | acabado leve, eliminación mínima de material                            |
| Papel de lija de grano 150 | lijado de acabado, eliminación mínima de material                       |
| Papel de lija de grano 180 | lijado de acabado únicamente, no se utiliza                             |
| Papel de lija de grano 220 | lijado de acabado únicamente, no se utiliza                             |

# PROCEDIMIENTOS DE MANTENIMIENTO RECOMENDADOS

## INSPECCIÓN DE RUTINA

Se recomienda que inspeccione su Lijadora Delta® de Tambor Doble periódicamente como medida de precaución.

Durante este momento, controle todos los elementos de ferretería como pernos, tuercas y tornillos para asegurar que estén ajustados adecuadamente. También verifique que las correas de lijado y las correas de transmisión estén colocadas correctamente y que no se hayan aflojado ni rasgado.

También aproveche esta oportunidad para inspeccionar si hay polvo y/o partículas de madera que se puedan haber acumulado sobre la máquina o dentro de la misma.

## LUBRICACIÓN

Los conductos de los tornillos de ajuste de la altura de la mesa, ubicados a cada extremo de la máquina, deben estar bien lubricados con grasa en todo momento. Para acceder, inspeccionar y lubricar los conductos de los tornillos, es necesario quitar los dos protectores laterales ubicados a cada uno de los extremos de la máquina.

Para quitar los protectores laterales:

1. Quite el cursor de elevación desatornillando el tornillo que lo sujeta.
2. Quite los ocho pernos con cabeza Phillips y las arandelas que están sujetando los protectores

laterales derecho e izquierdo (A) a la máquina y quite los protectores. Consulte la Fig. 14.

3. Vuelva a colocar los protectores laterales y el cursor de elevación.

## LIMPIEZA DE LAS CORREAS DE LIJADO

Limpie regularmente las correas de lijado de los tambores con bastones de limpieza que están disponibles comercialmente, siguiendo las instrucciones del fabricante. Cuando esté limpiando, también cepille las migas del bastón del tambor de lijado mientras todavía esté rotando.

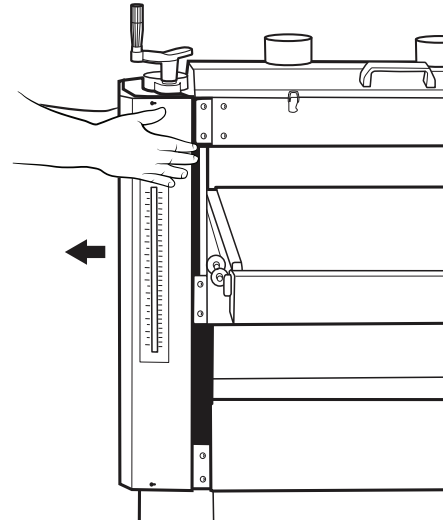


FIG. 14

## GUÍA DE SOLUCIÓN DE PROBLEMAS

| PROBLEMA   | CAUSE POSSIBLE  | SOLUTION   |
|--|---|--|
| La superficie de lijado se obstruye demasiado rápido.                    | El grano de lijado es muy fino.<br>Demasiado material eliminándose a la vez.<br>La superficie de la tabla está sucia.<br><br>La recolección de polvo no es suficiente.<br>La tabla contiene demasiada humedad.<br>La correa de lijado está gastada. | Cambie a un grano más áspero.<br>Ajuste la altura de la mesa.<br>Asegúrese de que la tabla esté libre de suciedad antes del lijado.<br>Inspeccione el sistema de recolección de polvo.<br>Seque el material adecuadamente antes de lijarlo.<br>Reemplace la correa de lijado (Página 41) |
| La correa de lijado se rasga.  | Los tambores no están paralelos a la mesa de alimentación.<br>Los bordes del papel de lija se superpusieron.<br>La cinta se está resbalando.<br>Se elimina demasiado material a la vez  | Vuelva a alinear los tambores (Página 43)<br><br>Vuelva a instalar la correa de lijado.<br>Rebobine la correa floja en el tambor.<br>Baje la altura de la mesa.  |
| Redondeo en los bordes.  | Se elimina demasiado material a la vez.   | Baje la altura de la mesa.   |
| El espesor en los lados derecho e izquierdo de la tabla no es uniforme.  | Los tambores no están paralelos a la mesa de alimentación.<br>El desgaste del papel de lijado no es uniforme.   | Vuelva a alinear los tambores (Página 43)<br><br>Reemplace la correa de lijado.  |
| El material se resbala en la cinta de alimentación.                      | Se elimina demasiado material a la vez.<br>Demasiado polvo sobre la superficie de la cinta de alimentación.<br>La cinta de alimentación está gastada.   | Baje la altura de la mesa.<br>Limpie la superficie con una manguera de aire.<br><br>Reemplace la cinta de alimentación (Página 41)   |
| Puntos brillantes sobre la superficie lijada.                            | El papel de lijado es demasiado viejo.<br>Los tambores están demasiado altos.   | Reemplace la correa de lijado (Página 41)<br>Baje la altura de la mesa.  |
| Marcas sobre la superficie lijada  | Daño parcial al papel de lijado.<br>El papel se superpuso en los bordes.  | Reemplace la correa de lijado (Página 41)<br>Vuelva a alinear la correa de lijado en el tambor.  |
| La cinta de alimentación funciona con problemas o se para completamente. | La tensión de la cinta de alimentación es incorrecta.<br>La alineación de la cinta es incorrecta.   | Ajuste la tensión de la cinta de alimentación (Página 41)<br>Ajuste la alineación de la alimentación (Página 41)   |
| “Disparo” perceptible y consistente                                      | No hay apoyo para el material de salida.<br>La tensión de los resortes del rodillo de presión es incorrecta.<br>La altura del tambor es incorrecta en relación a la presión de los rodillos.  | Utilice apoyo adicional en la parte trasera de la máquina.<br>Controle y ajuste.<br><br>Ajuste los rodillos de presión (Página 44)   |

## ACCESORIOS

Existe una línea completa de accesorios a su disposición con su proveedor de DELTA®, los centros de servicio de fábrica de DELTA® y estaciones de servicio autorizadas de DELTA®. Visite nuestro sitio web [www.DeltaMachinery.com](http://www.DeltaMachinery.com) si desea obtener un catálogo o el nombre de un proveedor cerca de usted.

**⚠ ADVERTENCIA:** Dado que otros accesorios diferentes a los ofrecidos por DELTA® no han sido probados con este producto, el uso de dichos accesorios podría ser peligroso. Para un funcionamiento seguro, debe usar únicamente accesorios recomendados por DELTA® para este producto.



## ASISTENCIA DE GARANTÍA, REPUESTOS O REPARACIÓN

Todos los equipos y accesorios DELTA® se fabrican de acuerdo a altos estándares de calidad y son reparados por una red de centros de servicio de fábrica de DELTA® y estaciones de servicio autorizadas de DELTA®. Para obtener más información sobre su producto de calidad de DELTA® o para obtener asistencia de garantía, repuestos, reparación o la ubicación del Centro de servicio más cercano, llame al 1-800-223-7278.

## GARANTÍA

Para registrar su herramienta para que reciba servicio de garantía visite nuestro sitio web en [www.DeltaMachinery.com](http://www.DeltaMachinery.com).

### Garantía de producto nuevo limitada a cinco años

DELTA® reparará o sustituirá, a su cargo y opción, cualquier nueva máquina, repuesto o accesorio de la máquina DELTA® que, en condiciones normales de utilización, ha demostrado ser defectuoso en mano de obra o material, siempre que el cliente devuelva el producto prepago a un Centro de servicio de fábrica DELTA® o a una estación de servicio autorizada con el comprobante de compra del producto dentro de un plazo de cinco años y le proporcione a DELTA® la oportunidad razonable para verificar el presunto defecto mediante inspección. El período de garantía para todo producto DELTA® reacondicionado es de 180 días. DELTA® no será responsable por ningún defecto encontrado que sea resultado del desgaste normal, mal uso, abuso o reparación o alteración realizada o autorizada específicamente por ninguna parte que no sea un Centro de servicio DELTA® autorizado o representante. Bajo ninguna circunstancia DELTA® será responsable por daños fortuitos o consecuentes derivados de productos defectuosos. Algunos estados no permiten la exclusión o limitación de daños incidentales o consecuentes, por lo que la limitación o exclusión anterior podría no aplicarse a usted. Esta es la única garantía de DELTA® y establece el recurso exclusivo del cliente, con respecto a productos defectuosos; todas las demás garantías, expresas o implícitas, ya sea de comerciabilidad, adecuación para un propósito o de otro tipo, están expresamente excluidas por DELTA®. Para obtener más detalles sobre la cobertura de la garantía e información de la garantía de reparación, visite [www.DeltaMachinery.com](http://www.DeltaMachinery.com) o llame al 1-800-223-7278. Esta garantía le otorga derechos legales específicos y usted puede tener otros derechos que varían en ciertos estados o provincias.

**AMÉRICA LATINA:** Esta garantía no se aplica a los productos vendidos en América Latina. Para los productos vendidos en América Latina, vea la información de garantía específica del país contenida en el embalaje, llame a la empresa local o consulte el sitio web para obtener información de garantía.



## PARTES DE REPUESTO

Utilice únicamente partes de repuesto idénticas. Para obtener una lista de partes o para pedir partes, visite nuestro sitio web en [www.DeltaMachinery.com/service](http://www.DeltaMachinery.com/service). También puede pedir partes en su sucursal de fábrica más cercana, Centro autorizado de servicio de garantía o llamando a la Dirección de Servicio Técnico al 1-800-223-7278 para recibir asistencia personalizada de parte de uno de nuestros representantes altamente capacitados.

## REEMPLAZO SIN COSTO DE ETIQUETA DE ADVERTENCIA

Si sus etiquetas de advertencia se vuelven ilegibles o se han perdido, llame al 1-800-223-7278 para pedir un reemplazo sin costo.



## SAFETY RULES

DON'T EXPOSE TO RAIN OR USE IN RAIN  
CAREFULLY READ INSTRUCTION MANUAL BEFORE OPERATING MACHINE.  
DO NOT OPERATE WITHOUT ALL GUARDS AND COVERS IN POSITION.  
BE SURE MACHINE IS ELECTRICALLY GROUNDED.  
REMOVE OR FASTEN LOOSE ARTICLES OF CLOTHING SUCH AS NECKTIES, ETC. CONFINE HAIR.  
REMOVE JEWELRY SUCH AS FINGER RINGS, WATCHES, BRACELETS, ETC.  
USE SAFETY FACE SHIELD, GOGGLES, OR GLASSES TO PROTECT EYES AND OTHER PERSONAL SAFETY EQUIPMENT AS REQUIRED.  
STOP MACHINE BEFORE MAKING ADJUSTMENTS OR CLEANING CHIPS FROM WORK AREA.  
KEEP THE FLOOR AROUND THE MACHINE CLEAN AND FREE FROM SCRAPS, SAWDUST, OIL OR GREASE TO MINIMIZE THE DANGER OF SLIPPING.

## SERVICIO Y REPARACIÓN

Todas las herramientas de calidad tarde o temprano necesitarán mantenimiento y/o reemplazo de partes. Para obtener información sobre DELTA® Power Equipment Corporation, sus sucursales de fábrica, o para ubicar un Centro autorizado de servicio de garantía, visite nuestro sitio web en [www.DeltaMachinery.com](http://www.DeltaMachinery.com) o llame a nuestra Dirección de Servicio Técnico al 1-800-223-7278. Todas las reparaciones hechas por nuestros centros de servicio están plenamente garantizadas contra defectos de mano de obra y materiales. No podemos garantizar reparaciones que hayan intentado o realizado terceros. Cuando llame a este número también se puede encontrar respuestas a preguntas frecuentes.

También nos puede escribir para obtener información a: DELTA® Power Equipment Corporation, 2651 New Cut Road, Spartanburg, SC 29303. Attention: Technical Service Manager. (Atención: Dirección de Servicio Técnico). Asegúrese de incluir toda la información que se muestra en la placa de identificación de su herramienta (número de modelo, tipo, número de serie, código de fecha, etc.)



**POWER EQUIPMENT CORPORATION**

2651 New Cut Road  
Spartanburg, SC 29303  
(800) 223-7278  
[www.DeltaMachinery.com](http://www.DeltaMachinery.com)

Copyright © 2011 DELTA® Power Equipment Corporation • DPEC000264 - 12-2-11

REVISED: 05-04-16

