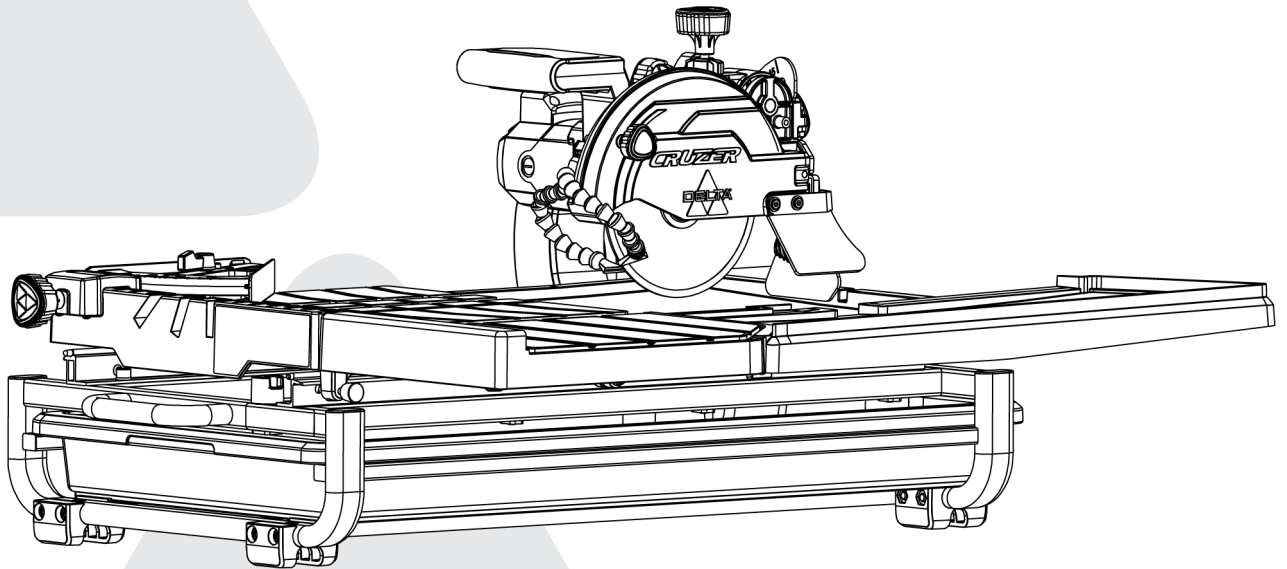


7-inch Wet Tile/Stone Saw

Scie à carrelage / pierre humide de 7 pouces

Azulejo húmedo de 7 pulgadas / sierra de piedra

DELTA[®]



Français (21)

Español (41)

www.DeltaMachinery.com

Instruction Manual

Manual d'utilisation

Manual de instrucciones

96-107

⚠ WARNING: To reduce the risk of serious injury, thoroughly read and comply with all warnings and instructions in this manual and on product
KEEP THIS MANUAL NEAR YOUR PRODUCT FOR EASY REFERENCE AND TO INSTRUCT OTHERS



TABLE OF CONTENTS

Technical Specifications	2	Maintenance	16
General Safety Instructions	3	Changing the Blade.....	16
Safety Symbols	3	Checking the Bevel.....	17
Work Area Safety	3	Cleaning the Pump.....	17
Extension Cords	3	Adjustments	18
Grounding Instructions	4	Trouble Shooting	19
Personal Safety	4	Warranty	20
Tool Safety	5	Parts, Services Or Warranty Assistance	20
Service Safety.....	5	Replacement Parts	20
Specific Safety Instructions for Tile Saw	5	French	21
Saw Features	7	Spanish	41
Unpacking The Saw	8		
Shipping Contents.....	8		
Hardware Contents	9		
Assembly	9		
Install the Water Tray	9		
Attach the Saw Arm Assembly.....	9		
Attach the Worktable.....	10		
Attach the Splash Trays	10		
Install the Table Extensions	11		
Attach the Miter Guide.....	11		
Moving and Storing Tile Saw	12		
Operation	12		
Lubricating Blade	12		
Turning the Saw On and Off.....	13		
Making Cuts	14		
Parallel Cut	14		
Angled Cut	15		
Bevel Cut.....	15		
Plunge Cut.....	15		
Adjusting Depth of Cut	15		

NOTE: The manual cover illustrates the current production model. All other illustrations contained in the manual are representative only and may not be exact depictions of the actual labeling or accessories included. They are intended for illustrative purposes only.

TECHNICAL SPECIFICATIONS

Power Supply	120V, 60Hz
Motor Capacity	13A
No-load Speed	5,300RPM
Diamond Cutting Wheel Size	7" Dia.X5/8" (Bore)
Maximum Depth Cut at 0°	2-3/8"
Maximum Depth Cut at 45°	1-1/4"
Tilting Range	0°,22.5°,45°
Maximum Rip Cut	26"
Maximum Square Tile of Diagonal	18"

SAVE THESE INSTRUCTIONS.

Refer to them often and use them to instruct others.
If tool is loaned to someone, also loan them these instructions.

GENERAL SAFETY INSTRUCTIONS

▲ WARNING: Be sure to read and understand all instructions in this manual before using this Wet Tile/ Stone Saw. Failure to follow all instructions may result in electric shock, fire and/or serious personal injury. Some dust created by using power tools contains chemicals known to the state of California to cause cancer and birth defects or other reproductive harm. Safety is a combination of using common sense, staying alert, and knowing how your tile saw works. Read this manual to understand this tile saw and how to use it safely.

SAFETY SYMBOLS

The purpose of safety symbols is to attract your attention to possible dangers. The safety symbols and the explanations that accompany them deserve your careful attention and understanding. The safety warnings DO NOT, by themselves, eliminate any danger. There are no substitutes for proper accident-prevention measures.

▲ DANGER: Indicates an imminently hazardous situation which, if not avoided, will result in death or serious injury.

▲ WARNING: Indicates a potentially hazardous situation which, if not avoided, could result in death or serious injury.

▲ CAUTION: Indicates a potentially hazardous situation which, if not avoided, may result in minor or moderate injury.

CAUTION: Used without the safety alert symbol indicates potentially hazardous situation which, if not avoided, may result in property damage.

Additional information regarding the safe and proper operation of this tool is available from the following sources:

- Power Tool Institute, 1300 Sumner Avenue, Cleveland, OH 44115-2851 or on-line at www.powertoolinstitute.com
- National Safety Council, 1121 Spring Lake Drive, Itasca, IL 60143-3201
- American National Standards Institute, 25 West 43rd Street, 4 floor, New York, NY 10036 www.ansi.org - ANSI 01.1 Safety Requirements for Woodworking Machines
- U.S. Department of Labor regulations www.osha.gov

Damage Prevention and Information Messages

These inform the user of important information and/or instructions that could lead to equipment or other property damage if they are not followed. Each message is preceded by the word "NOTE," as in the example below:

NOTE: Equipment and/or property damage may result if these instructions are not followed.

WORK-AREA SAFETY

• KEEP THE WORK AREA CLEAN AND WELL LIT.

Cluttered benches and dark areas invite accidents.

• DON'T USE IN A DANGEROUS ENVIRONMENT.

Don't use power tools in damp or wet locations or expose them to rain. Don't operate power tools in potentially explosive environments, such as in the presence of flammable liquids, gases, or dust. Power tools create sparks, which may ignite the dust or fumes.

• OPERATE THE TOOL IN WELL-VENTILATED AREAS, and provide proper dust removal. Dust generated from some materials can be hazardous to your health. Use dust-collection systems whenever possible.

• KEEP CHILDREN AND BYSTANDERS AWAY. All visitors should be kept a safe distance away from the work area.

• USE THE RIGHT TOOL. Don't force a tool or attachment to do a job for which it was not designed.

• MAKE THE TILE SAW CHILD AND TAMPER PROOF Use padlocks, master switches, or lock by removing starter keys.

Electrical Safety

To reduce the risk of electrocution, keep all connections dry and off the ground. Do not touch plug with wet hands.

• Voltage Don't use power tools in damp or wet locations or expose them to rain. Don't operate power tools in potentially explosive environments, such as in the presence of flammable liquids, gases, or dust. Power tools create sparks, which may ignite the dust or fumes.

• Do not use "AC Only" Rated tools with a DC power supply.

• Do not expose power tools to rain or wet conditions.

Water entering a power tool will increase the risk of electric shock. If operating the power tool in damp locations is unavoidable, always use a verified functioning Ground Fault Circuit Interrupter to supply power to your tool. Always wear insulated footwear in damp conditions.

• Do not abuse the cord. Never use the cord to carry the tools or to pull the plug from the outlet. Keep the cord away from heat, oil, sharp edges, or moving parts. Replace damaged cords immediately. Damaged cords increase the risk of electric shock.

• Use grounded circuit Use only 3-wire receptacles and extension cords that have 3-prong grounding plugs and 3-pole receptacles to accept the tool's three prong plug.

• Use the proper extension cord.

Extension Cord Safety

• Use only extension cords that are intended for outdoor use. These extension cords are marked "W-A" or "W" and are identified by a marking "Acceptable for use with

• Use only extension cords having an electrical rating equal to or greater than the rating of the product. Do not use damaged extension cords. Examine the extension cord before using, and replace it if it is damaged. Do not abuse extension cords, and do not yank on any cord to disconnect it. Keep the cord away from heat and sharp edges. Always disconnect the extension cord from the receptacle before disconnecting the product from the extension cord.

• Make sure that your extension cord is in good condition.

GENERAL SAFETY RULES

⚠ WARNING: Read all safety warnings, instructions, illustrations and specifications provided with this power tool. Failure to follow all instructions listed below may result in electric shock, fire and/or serious injury.

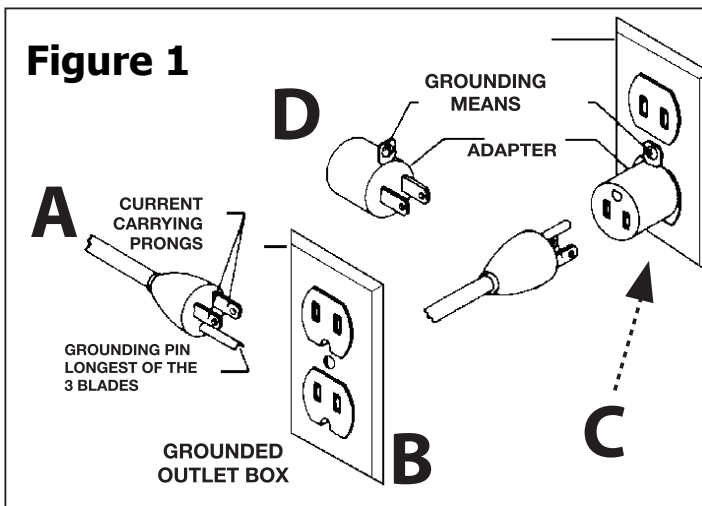
Save all warnings and instructions for future reference.

Table 1

Ampere Rating	Volts	Total Length of Cord in Feet			
		25ft.	50ft.	100ft.	150ft.
	120V~	A.W.G			
0~6		18	16	14	12
6~10		18	16	14	12
10~12		16	16	14	12
12~16		14	12	not recommended	

Grounding Instructions

- In the event of a malfunction or breakdown, grounding provides a path of least resistance for the electric current to reduce the risk of electrical shock. This tool has an electric cord with an equipment-grounding conductor and a grounding plug. The plug must be plugged into a matching outlet that is properly installed and grounded in accordance with all local codes and ordinances.
- Do not modify the plug provided with this tool. If it will not fit the outlet, have a properly grounded outlet installed by a qualified electrician.
- Improper connection of the equipment-grounding conductor can result in electric shock. The wire covered with green insulation is the equipment-grounding conductor. If repair or replacement of the electric cord or plug is necessary, do not connect the green wire to a live terminal.
- Check with a qualified electrician or service personnel if you do not completely understand the grounding instructions, or if there is a question as to whether the outlet or tool is properly grounded. Use only 3-wire extension cords that have 3-prong grounding plugs and 3-pole receptacles that accept the tool's plug.
- Repair or replace a damaged or worn cord immediately.
- This tool is intended for use on a circuit with a grounded outlet (B, Fig. 1). The tool has a grounding plug (A, Fig. 1).



- A temporary adapter (D, Fig. 1) may be used to connect this plug to a 2-pole receptacle (C, Fig. 1), if a properly grounded outlet is not available. The green-colored tab extending from the adapter must be connected to a permanent ground, such as a properly grounded outlet box. The temporary adapter should be used only until a qualified electrician can install a properly grounded outlet.
- Ground-fault circuit interrupter (GFCI) protection should be provided on the circuit or outlet to be used for the tile saw. Receptacles are also available having built-in GFCI protection and may be used for this measure of safety.

Personal Safety

⚠ WARNING: The operation of any power tool can result in foreign objects being thrown into your eyes, which can result in severe eye damage. Before beginning power-tool operation, always wear safety goggles or safety glasses with side shields, and a full-face shield when needed. We recommend Wide Vision Safety Mask for use over eyeglasses or standard safety glasses with shields. Always use eye protection, which is marked to comply with ANSI Z87.1

- **STAY ALERT, WATCH WHAT YOU ARE DOING, and USE COMMON SENSE** when operating a power tool.
- **DO NOT** use the tool while tired or under the influence of drugs, alcohol, or medication.
- **WEAR PROPER APPAREL.** Do not wear loose clothing, gloves, neckties, rings, bracelets, or other jewelry.
- Pull back and secure long hair. Non-slip footwear is recommended.
- **KEEP YOUR HAIR, CLOTHING, AND HANDS AWAY FROM MOVING PARTS.**
- **REMOVE ADJUSTING KEYS OR WRENCHES.** Form a habit of checking to see that keys and adjusting wrenches are removed from the tool before turning it on.
- **ALWAYS USE SAFETY GLASSES.** Everyday glasses may have impact-resistant lenses, but they are NOT safety glasses.
- **USE A DUST OR FACE MASK,** if the operation is dusty.
- **WEAR HEARING PROTECTION** to help prevent hearing loss.
- **NEVER TOUCH THE PINS OF THE ELECTRICAL PLUG** while inserting it into or removing it from an electrical socket.
- **NEVER STAND ON TOOL.** Serious injury could occur if the tool is tipped, or if the cutting tool is unintentionally contacted.

GENERAL SAFETY RULES

Tool Safety

- **KEEP ALL GUARDS IN PLACE** and in working order.
- **AVOID ACCIDENTAL STARTING.** Be sure the switch is in the "Off" position before plugging the tool into an electrical outlet.
- **DO NOT CARRY TOOLS WITH YOUR FINGER ON THE SWITCH.**
- **DO NOT OVER REACH.** Keep proper footing and balance at all times.
- **DO NOT FORCE THE TOOL.** Use the correct tool and cutting wheel for your application. The correct tool and cutting wheel will do the job better and more safely when used at the rate for which it is designed.
- **DO NOT USE TOOL IF THE SWITCH DOES NOT TURN IT "ON" OR "OFF."** Any tool that cannot be controlled with the switch is dangerous and must be repaired.
- **DISCONNECT THE TOOL** before servicing, when changing accessories (such as cutting wheels), or storing the tool.
- **STORE IDLE TOOLS OUT OF THE REACH OF CHILDREN** and other untrained people.
- **NEVER LEAVE THE TOOL RUNNING UNATTENDED; TURN THE POWER OFF.** Don't leave the tool until it comes to a complete stop.

- **ALWAYS MAINTAIN TOOLS WITH CARE.** Keep cutting tools sharp and clean. Properly maintained tools with sharp cutting edges are less likely to bind and are easier to control. Follow all instructions for lubricating and changing accessories.
- **CHECK FOR DAMAGED PARTS.** Before further use of the tool, a guard or other part that is damaged should be carefully checked to determine that it will operate properly and perform its intended function. Check for alignment of moving parts, binding of moving parts, mounting, and any other conditions that may affect its operation. A guard, cutting wheel or other part that is damaged should be properly repaired or replaced.
- **USE RECOMMENDED ACCESSORIES.** Consult the product manual for recommended accessories. The use of improper accessories may increase the risk of personal injury.

Service Safety

- If any part of this wet-tile/stone saw is missing or should break, bend, or fail in any way; or should any electrical component fail to perform properly: **ALWAYS** shut off the power switch and remove the plug from the power source, and have the missing, damaged, or failed part replaced **BEFORE** resuming operation.
- When servicing a tool, **ALWAYS** use only identical replacement parts. Follow instructions in the Maintenance Section of this manual. Use of unauthorized parts or failure to follow Maintenance Instructions may create a risk of electric shock or injury.

SPECIFIC SAFETY INSTRUCTIONS FOR WET TILE/STONE SAW

⚠ WARNING: **BE SURE to read and understand all instructions in this manual before using this Wet Tile/ Stone Saw. Failure to follow all instructions may result in electric shock, fire and/or serious personal injury**

⚠ WARNING: **To reduce the risk of mistakes that could cause serious, permanent injury, do not plug the tile saw into an electrical receptacle until the following steps have been satisfactorily completed:**

- Completely assemble the saw (See "Assembly" section).
- Learn the use and function of the ON-OFF switch, cutting wheel guard, overload protector, spindle lock, depth-stop-adjustment knob, depth- adjustment knob, bevel-cut-adjustment knob, universal guide etc. (See "Getting to Know Your Tile Saw" section).
- Review and understand all safety instructions and operating procedures in this manual.
- Review the maintenance methods for this saw (See "Maintaining Your Saw" section).
- Never put your fingers or hands in the path of the saw cutting wheel or other cutting tool.
- Never reach behind the cutting tool with either hand for any reason. Do not reach behind the cutting wheel to hold down the work piece, support the work piece, remove scraps, or for any other reason.
- Never use a hand position where a sudden slip could cause the fingers or the hand to move into a saw cutting wheel.
- Find and read all the warning labels found on the tool.

The labels on your tool may include the following symbols.

- V** – Volts
- A** – Amperes
- Hz** – Hertz
- W** – Watts
- min** – Minutes
- ~** – Alternating current
- n_o** – No-load speed
- RPM** – Revolutions or Strokes per minute

⚠ Indicates danger, warning or caution. It means attention! Your safety is involved.

continued on page 6

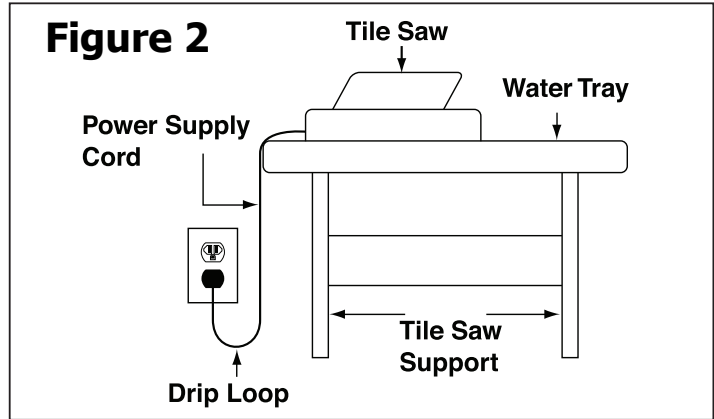
SPECIFIC SAFETY INSTRUCTIONS FOR WET TILE/STONE SAW

Allowing dust to get into your mouth or eyes or to lie on the skin may promote absorption of harmful chemicals.

Use of accessories that are not recommended for use with this tool may create hazardous conditions.

- **DIRECTION OF FEED:** Always feed work into the Cutting wheel against the rotational direction of the Cutting wheel.
- **LET THE BLADE COME TO A COMPLETE STOP** before removing any jammed or off-cut material from around the cutting wheel area.”
- **POSITION OF TILE SAW:** To avoid the possibility of the appliance plug or receptacle getting wet, position the tile saw to one side of a wall-mounted receptacle. The user should arrange a “drip loop” in the cord connecting the saw to a receptacle. (Fig. 2)

The “drip loop” is a section of the cord that hangs below the level of the receptacle or below the connector, if an extension cord is used, to keep the water that travels along the cord from coming into contact with the receptacle. If the plug or receptacle does get wet, DON'T unplug the cord. Disconnect the fuse or circuit breaker that supplies power to the tool. Then unplug the tool and examine the receptacle for water. Do not use the receptacle until it is completely dry.



PROPOSITION 65 WARNING:

⚠ WARNING: Some dust created by power sanding, sawing, grinding, drilling, and other construction activities contains chemicals known to the state of California to cause cancer, birth defects or other reproductive harm. Some examples of these chemicals are:

- Lead from lead-based paints
- Crystalline silica from bricks and cement and other masonry products
- Arsenic and chromium from chemically-treated lumber

Your risk from these exposures varies, depending on how often you do this type of work. To reduce your exposure to these chemicals: work in a well-ventilated area and work with approved safety equipment, such as dust masks that are specifically designed to filter out microscopic particles.

SAVE THESE INSTRUCTIONS.

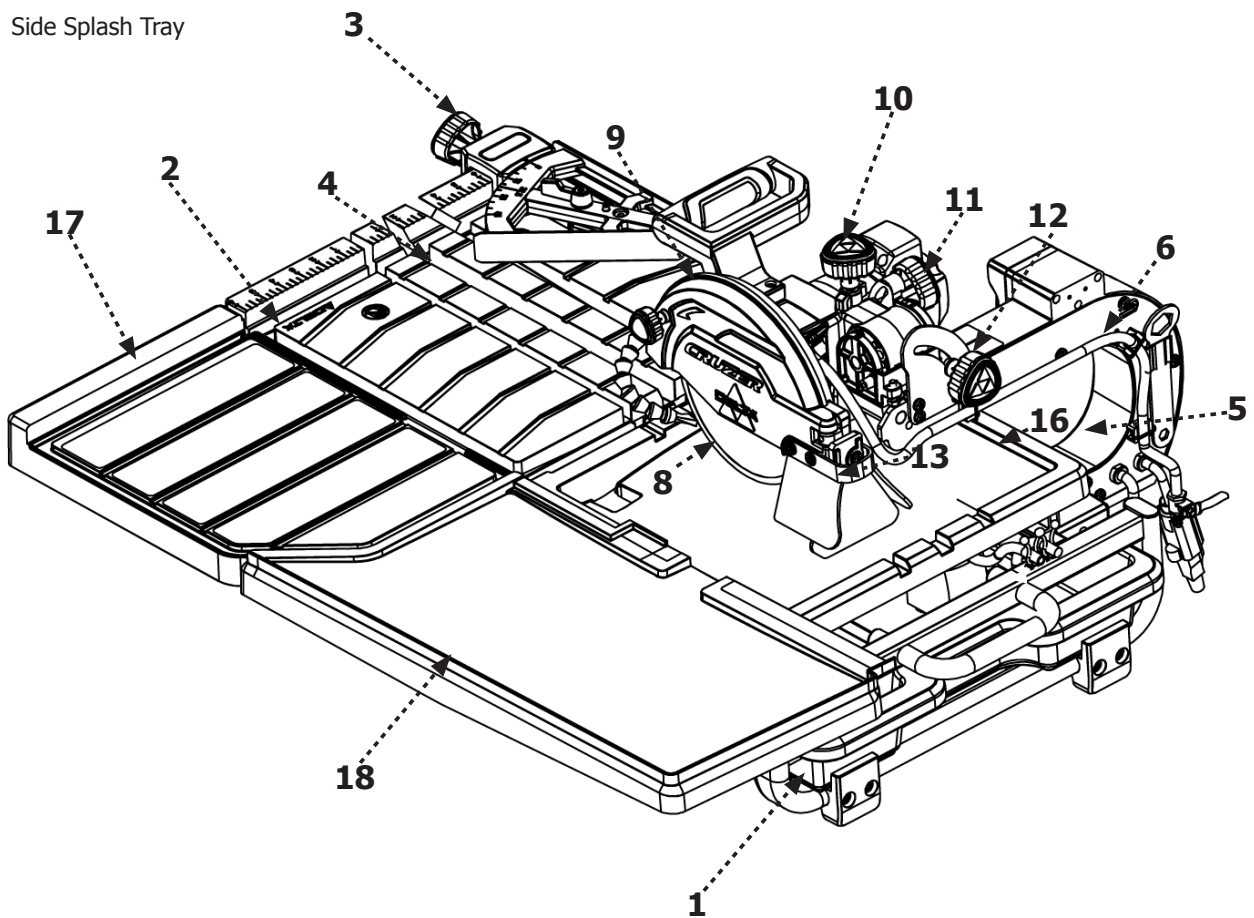
Refer to them often and use them to instruct others.

If tool is loaned to someone, also loan them these instructions.

SAW FEATURES

The part names and part numbers correspond to those used in the Assembly, Operations and Maintenance sections of this manual.

1. Water Tray
2. Front rail, main frame
3. Miter guide
4. Worktable
5. Motor/arm assembly
6. Water hose
7. Submersible pump (not pictured)
8. Diamond blade
9. Blade guard
10. Plunge lock knob
11. Blade stop adjustment knob
12. Bevel lock knob
13. Splash guard
14. On/Off switch (not pictured)
15. Drain plug (not pictured)
16. Upper Splash Tray
17. Table Extension
18. Side Splash Tray



⚠ WARNING: The use of any accessory or attachment or performance of any operation with this tool other than those recommended in this instruction manual may present a risk personal injury.

UNPACKING

⚠ WARNING: Prior to tool assembly and use, read this manual thoroughly to familiarize yourself with proper assembly, maintenance and safety procedures.

Check shipping carton and machine for damage before unpacking. Carefully remove components in top foam layer. Remove the top layer of foam then remove all components in the bottom layer of foam. Lay out all parts on a piece of cardboard or other clean, flat surface. Always check for and remove protective shipping materials around motors and moving parts. Do not discard shipping carton and packing materials until you have carefully inspected the contents, assembled the machine and are satisfied that it operates correctly.

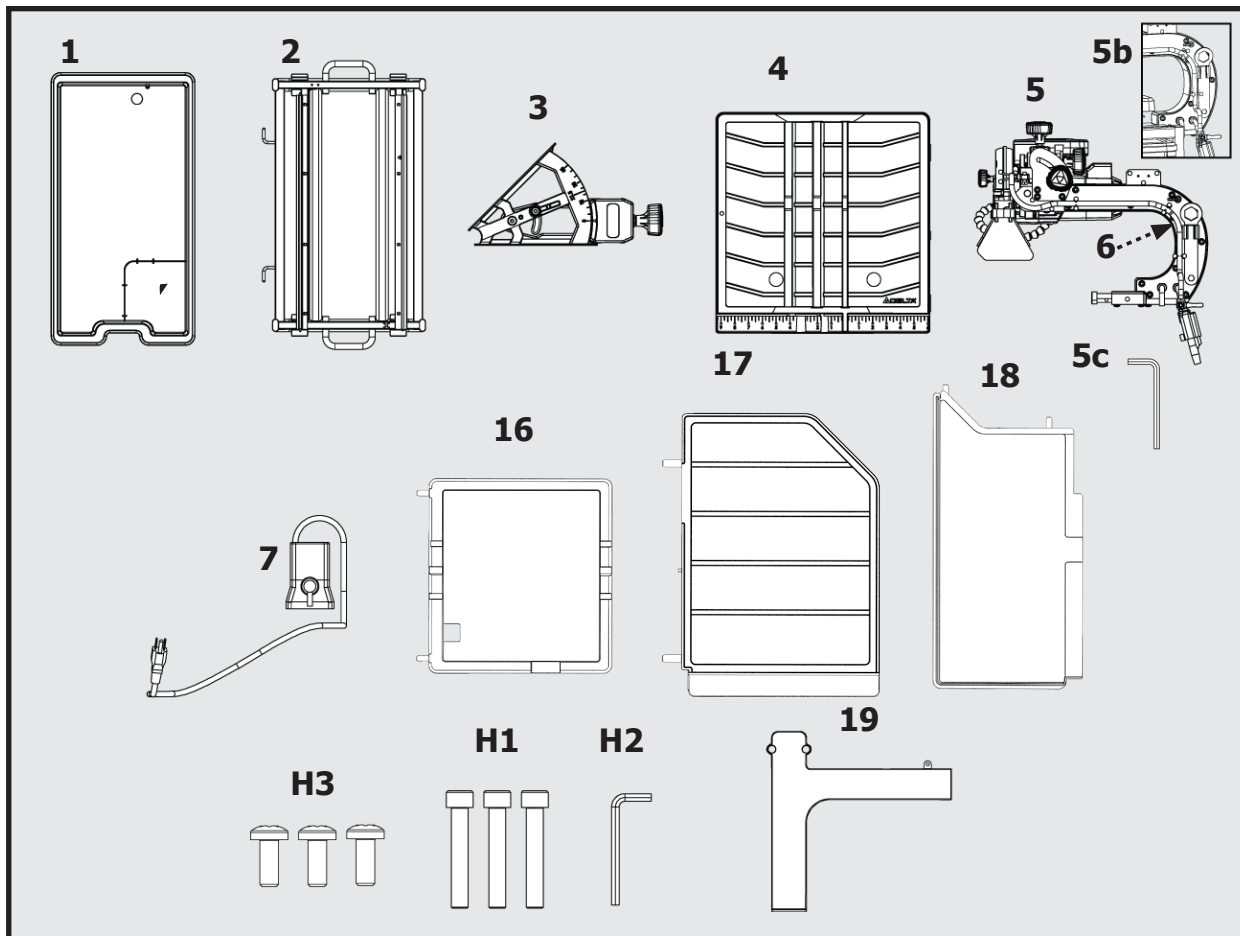
Compare package contents to Component Parts List and Hardware Package List prior to assembly to make sure all items are present. Carefully inspect parts to make sure no damage occurred during shipping. If any parts are missing, damaged or preassembled, do not assemble. Instead, call Service Center at 1-800-223-7278 for assistance. After assembly remove any protective materials and coatings from all of the parts and the tile saw. The protective coatings can be removed by spraying WD-40® on them and wiping them off with a soft cloth. This may need to be redone several times before all of the protective coatings are removed completely.

Shipping Contents

The part and hardware names and numbers correspond to those used in Saw Features on page 7 and the Shipping Contents on page 8 & 9.

Description (QTY)

- | | | | |
|-----|-----------------------|-----|--|
| 1. | Water Tray (1) | 7. | Pump (1) |
| 2. | Main Frame (1) | 16. | Splash Tray (1) |
| 3. | Miter Gauge (1) | 17. | Table Extension (1) |
| 4. | Work Table (1) | 18. | Side Splash Tray (1) |
| 5. | Saw Arm Assembly (1) | 19. | Guided Tray (1) |
| 5b. | Blade Wrench (1) | H1. | M10 x 60 Hex Head Screws (3) |
| 5c. | 4 mm Allen Wrench (1) | H2. | 8 mm Allen Wrench (1) |
| 6. | Hose (1) | H3. | M4 x 10 Philips Plastic Self Tapping Screw (3) |



Insert the Water Tray

⚠ WARNING: Ensure the saw is on a level and stable surface.

Insert Water Tray (1) by sliding it into the Main Frame (2) as shown in Figure 5.

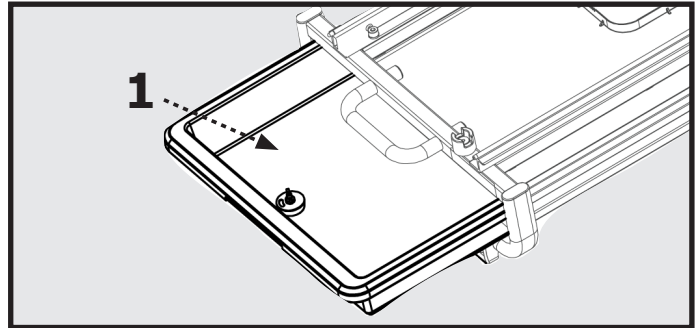


Figure 5

Attach the Saw Arm Assembly

1. Attach the Saw Arm Assembly to the main frame by first aligning the Pegs (C) on the Saw Arm Assembly to the holes on the main frame as shown in Figure 6.
2. Fasten the Saw Arm Assembly by using the three M10 X 60 Hex Head Screws (H1) and the 8mm Allen Wrench (H2) as shown in Figure 7.

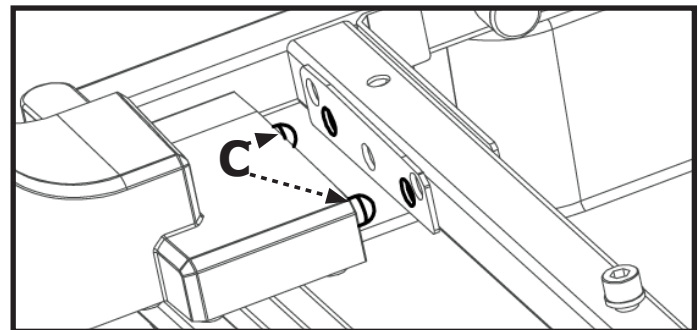


Figure 6

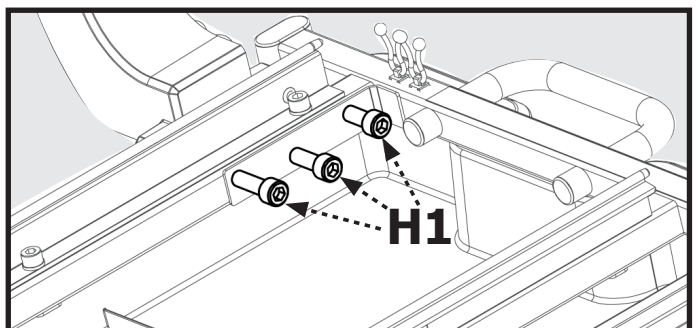


Figure 7

ASSEMBLY

Attach Worktable

1. Check to make sure the slotted table lock is loosened in the open position, as shown in Figure 8, so that the groove is parallel to the direction of movement for the table.
2. Position the Worktable (4) so that the left bearings align as shown in Figure 8. The Larger Rollers (B) should be guided on the top of the rails, as the Smaller Rollers (C) should be guided beneath the rails.

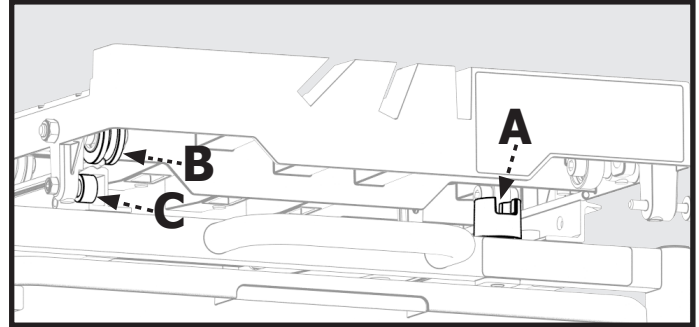


Figure 8

3. Loosen the bolt for the Table Stop (C) with the 4 mm Allen Wrench (5c). To prevent the removal of the table, rotate the table stop 90 degrees as shown Figure 9b and tighten. To remove the table, the bolt will have to be loosened and the table stop rotated back 90 degrees to position shown in Figure 9a.
4. To lock table in place, engage Table Lock (D) into the rail at location shown in Figure 9a.

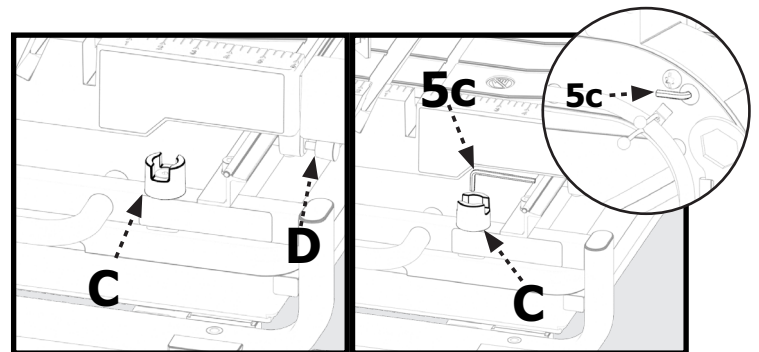


Figure 9a

Figure 9b

Attach Guided Tray

1. Attach the Guided Tray (19) to Splash Tray (16) by using three M4 x 10 Phillips Plastic Self Tapping Screws (H3) as shown in Figure 10.

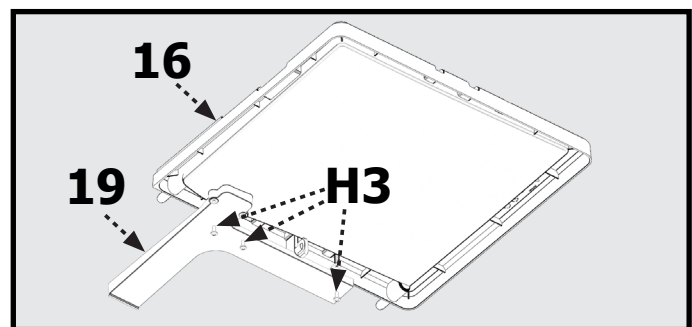


Figure 10

Attach Splash Tray

1. Slide the Worktable (4) forward, as shown in Figure 11a, to attach the Splash Tray (16).
2. Align the Pegs (A) into the holes on the Worktable (4), as shown in Figure 11a. Fasten the two tables together by tightening the Thumbscrew (B) under the Splash Tray, as shown in Figure 11b.

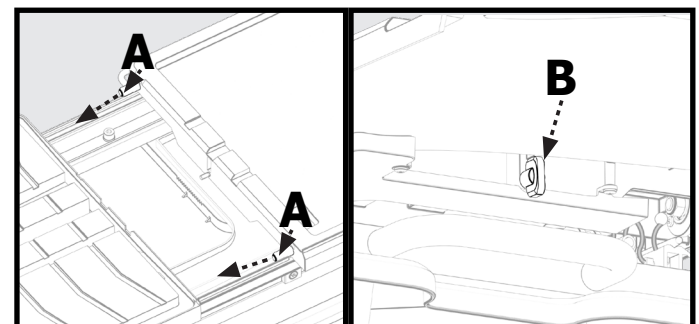


Figure 11a

Figure 11b

Install Table Extension

1. The Table Extension (17) installs on the right side of the Worktable (4).
2. Position the Table Extension so that the two Pegs (A) line up with the Holes (B) on the Worktable as shown in Figure 12.
3. Secure the Table Extension to the Worktable by tightening the Thumbscrew located under the Table Extension as shown in Figure 13.

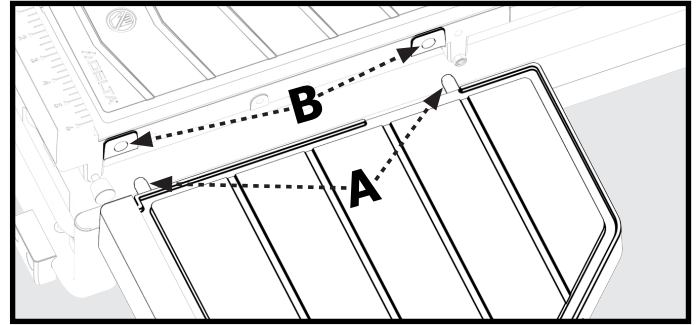


Figure 12

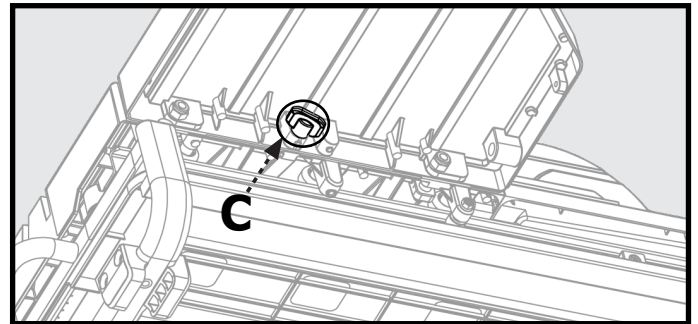


Figure 13

Install Side Splash Tray

1. Place the Side Splash Tray (18) to align with the Table Extension.
2. Secure the Side Splash Tray to the Table Extension by tightening the Thumbscrew (C) under the Side Splash Tray as shown in Figure 14.

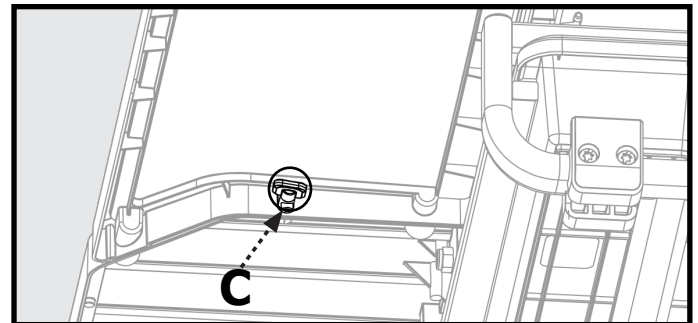


Figure 14

Attach The Miter Gauge

1. Attach the Miter Gauge (3) by placing it over the front edge of the table and tighten in place using the Miter Lock Knob (D) as shown in Figure 15.

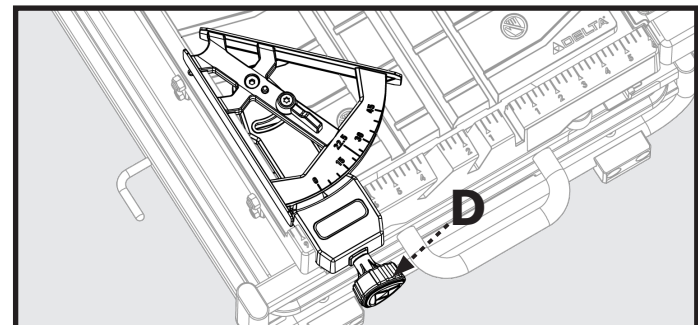


Figure 15

MOVING AND STORING TILE SAW

⚠ WARNING: Moving or repositioning saw requires two people, one at each end of main frame.

⚠ WARNING: Saw arm assembly is heavy. Make sure saw arm assembly is separately supported, or main frame will be unbalanced when lifting saw. Use leg muscles to raise and lower main frame to minimize risk of injury.

When repositioning saw on new surface, first remove main frame from stand. Then set up stand securely in level position at desired location on stable surface that will support stand, tray and contents before placing main frame on stand.

⚠ WARNING: Check to make sure saw mounts are properly centered on stand rails before operating saw.

OPERATION

⚠ WARNING: Failure to comply with the following the warnings may result in serious personal injury.

READ ENTIRE MANUAL. In addition to reading these operating instructions, it is important to read and understand the entire manual before operating this saw. Follow all applicable instructions regarding assembly, preparation, and adjustment prior to making any cuts and comply with all safety rules and warnings in this section and elsewhere throughout this manual.

Lubricating the Blade

⚠ WARNING: Lack of cooling water may damage the blade. To ensure proper operation, there must be a constant flow of water onto the blade.

There are two ways to ensure a constant flow of water to the blade:

- by the water tray
- by using a fill bucket

To Use the Water Tray

1. Ensure the drain plug (A, Fig. 11) is securely inserted into the drain and the locking wing nut (B, Fig. 11) is tight.
2. Attach the free end of the water hose into the outlet nipple (C, Fig. 12) on the submersible pump (7).
3. Place the pump in the bottom of the water tray (1) - inside the containment area shown in Figure 12 - and firmly press down so that the suction feet are securely adhered.
4. Secure the slack in the water hose and pump's power cord to the tool using the provided snap ties (D, Fig. 12).
5. Fill the water tray to a level that completely covers the pump filter/intake.

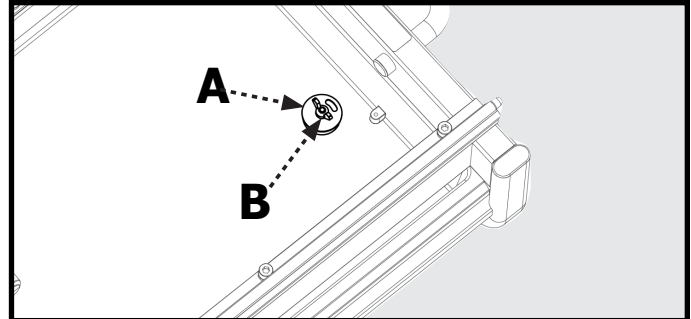


Figure 16

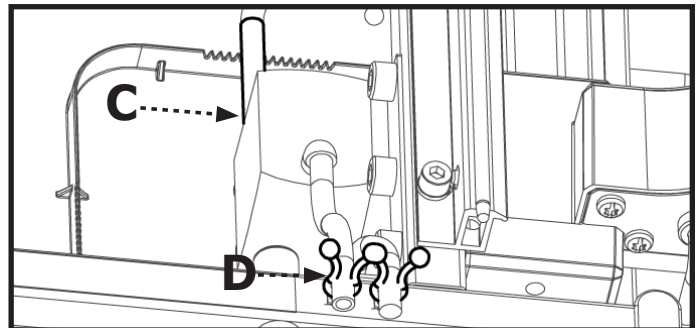


Figure 17

NOTE: In order to ensure safe operation of the pump, remove the inlet cover on the face of the pump and check to make sure that the entire circular opening of the inlet is underwater.

NOTE: Failure to ensure the pump is adequately submerged will cause the pump to burn out, preventing the cooling mechanism from working properly. When using the water tray as the source of water, always check to make sure that the pump is always fully immersed in the water tray.

OPERATION

Turning the Saw On and Off

Connect the unit to a power source with the correct voltage and frequency (120v).

1. To start the motor; pull the switch (C) to the "ON" position.
2. To stop the motor: push the switch to the "OFF" position.

NOTE: Providing the pump's plug is inserted into the pump plug receptacle on the motor, the pump will be turned on when the motor is turned on.

Using the Safety Lock

When the saw is not being used, the ON/OFF switch should be locked with the OFF position, using a long shackle pad lock with a 3/16" diameter shank.

To lock the saw:

1. Insert the shackle through the hole located underneath the switch and pass it all the way through the lock tab on the switch and out the other side.
2. Secure the lock.
3. Store the key in a secure place and away from the saw

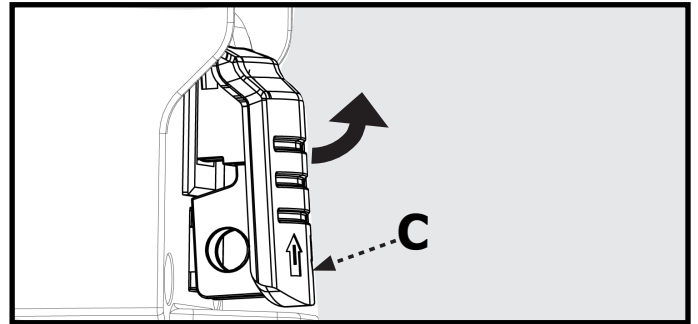


Figure 18

OPERATION

Making Cuts

⚠ WARNING: Turn the switch knob to the "OFF" position when adjusting the motor.

⚠ WARNING: Do not attempt to cut very small pieces. Avoid awkward hand positions where a sudden slip could cause your hand or finger to come in contact with the cutting wheel. When cutting any material, make sure that it is fully supported. Hold workpiece firmly. Do not force the material into the cutting wheel.

⚠ WARNING: Make sure that the cutting-depth adjustment knob and the bevel-cut-adjustment knob are tightened before operating the saw.

⚠ WARNING: Always ensure the pump is plugged into the power receptacle on the tile saw. Plugging pump into any other receptacle other than the one supplied on saw, may result in shock hazard.

⚠ WARNING: Make sure the pump is completely submerged in water to protect pump from failure.

Parallel Cut

A parallel cut is any cut made with the miter scale (3) at 45° degrees (the face of the miter guide is parallel to the cutting wheel). To make a parallel cut:

1. Ensure that the angle arrow (A) on the miter guide points to 45°.
2. Loosen the knob (B) on the miter guide.
3. Adjust the miter gauge so that the desired angle on the scale aligns with the angle arrow (A).
4. Tighten the knob.
5. Position and press the tile firmly against the miter guide and move the table evenly with two hands during cutting. Do not force the work piece or move the table too quickly the motor is turned on.

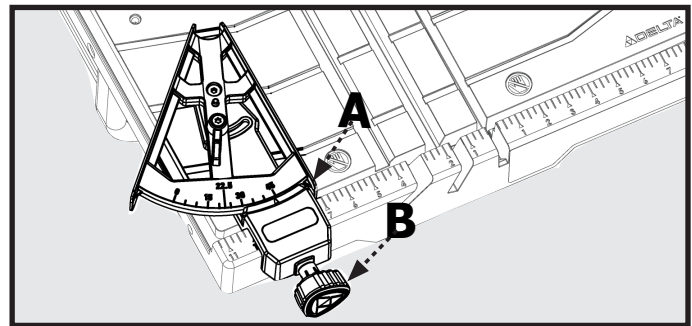


Figure 19

Angle Cut

Using the miter guide you can make angled cuts up to 45-degrees. To make an angled cut:

1. Loosen the lock knob (C) on the miter guide.
2. Adjust the miter guide to the desired angle and tighten the knob.
3. Using the miter guide to align the material for angle cutting.
4. Move the table forward with two hands during cutting while holding tile securely against table backstop.
5. Do not force the work piece or move the table too quickly.

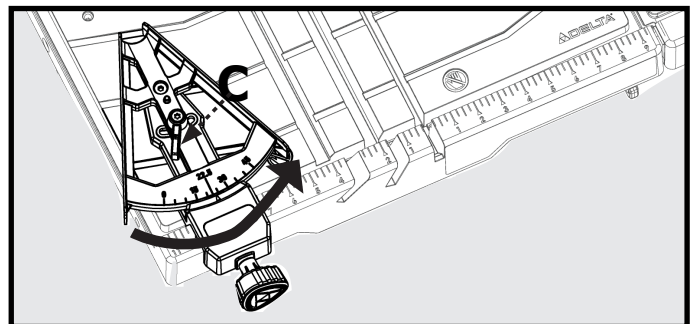


Figure 20

OPERATION

Bevel Cut

The saw enables you to make beveled cuts at 45-degrees and 22.5 degrees.

CAUTION: If using the bevel function, the saw must be positioned exactly at 45 or 22.5 degrees as shown on the bevel indicator. Make sure the pointer matches up with the line on the bevel scale.

To make a bevel cut:

1. Loosen the bevel lock (12).
2. Tilt the saw head so that the pointer on the saw head aligns with the desired bevel as shown on the bevel indicator (A).
3. Tighten the bevel lock.
4. Position and press the tile firmly with two hands during cutting.
5. Move the table forward with two hands during cutting while holding tile securely against table backstop.
6. Do not force the work piece or move the table too quickly.

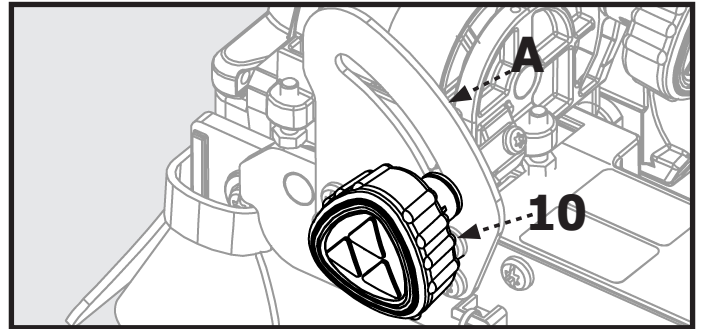


Figure 21

Plunge Cut

1. Loosen the depth of cut lock knob (11).
2. Raise the cutting head to the full, upright position.
3. Align the tile under the cutting wheel by moving the table to the desired position.
4. While holding the table securely in place, plunge the saw into the material. Do not force the saw or move the saw too quickly into the material.

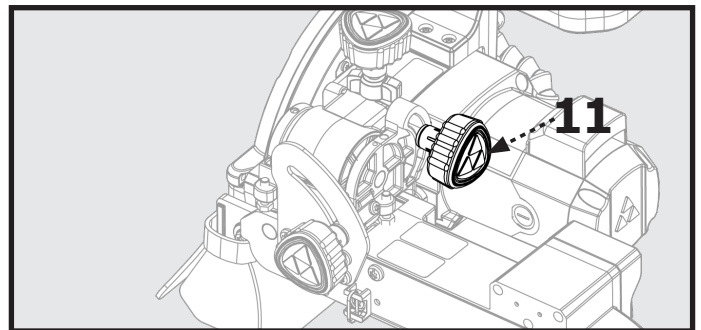


Figure 22

Adjusting Depth of Cut

You can adjust the depth of cut to accommodate materials of varying thickness, up to 3-1/4" inches.

1. Loosen the plastic wing lock nut (E) by turning counter clockwise.
2. Turn Depth of Cut Lock Knob (11) counter clockwise to loosen and raise cutter head up to higher position.
3. Adjust Height adjustment knob (10) to desired depth, lowering cutter head to verify depth as needed.
4. Tighten plastic wing lock nut (E) to lock Height Adjustment knob (10) in place.
5. Do not tighten Height Adjustment Knob (10) when Depth of Cut Lock Knob is tight. Lower cutter head until cutter head stops and lock depth of cut knob (11) in place to secure cutter head for through cuts or leave knob (11) loose for plunge cuts.

NOTE: If Depth of cut Lock knob (11) is locked, do not adjust Height Adjust Knob (10) or damage may occur.

You can set the plunge depth to make repeated plunge cuts of the same depth in multiple workpieces.

CAUTION: If you are going to make repeated plunge cuts at the same cutting depth, leave the depth of cut lock knob loose. Otherwise, always re-tighten the depth of cut lock knob.

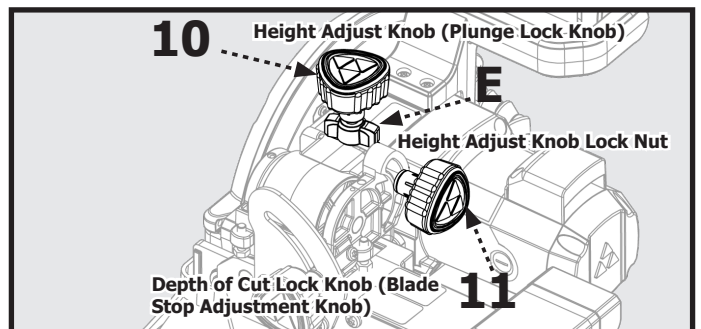


Figure 23

MAINTENANCE

⚠ WARNING: For your safety, turn off the switch and unplug saw from the power source before performing any maintenance or cleaning. If the power cord becomes damaged in anyway, replace it immediately with the approved cord. When cleaning the saw, do not expose the motor to direct water. If excessive water is introduced into the motor, electric shock and/or damage to the motor can occur.

Do not service the electric motor's internal components yourself. Contact an authorized service center. Never use water or any other chemical liquids to clean the electrical parts of the machine. Use a soft cloth to clean off the water and dust from the machine.

Keep the ventilation slots of the motor clean to prevent overheating.

Periodic maintenance of your tile saw allows for long life and trouble-free operation. The cutting residue that the saw generates could be considerable. A cleaning, lubrication, and maintenance schedule should be maintained.

As a common sense and preventative maintenance practice after each use, follow these recommended steps:

- Clean the entire saw with fresh water after each use.
- Pump clean/fresh water for 1 minute through the water pump and blade guard assembly to safeguard against slurry build-up and clogging.
- Make sure the guide rails are lubricated.
- If the table is not sliding easily, lubricate the bar lightly.
- Inspect the cutting wheel for its overall integrity. Check the rim for wear or damage and replace cutting wheel if necessary.

Changing the Saw Blade

1. Loosen the blade cover lock knob (A, Fig. 21).
2. Swing the blade cover (9) open
3. Locate the supplied blade wrench on the saw arm assembly (5b, 5).
4. Depress the blade spindle lock (B, Fig. 20) and use the blade wrench (C, Fig. 21) to loosen the arbor lock nut (D, Fig. 21)
5. Remove the arbor lock nut.
6. Remove the blade.
7. Place the new blade on the arbor so that the arrow on the blade is pointing in the same direction as the arrow on the blade cover. (See Figure 21)
8. Replace the arbor nut and tighten while depressing the spindle lock.
9. Close the cover and tighten the cover lock knob.

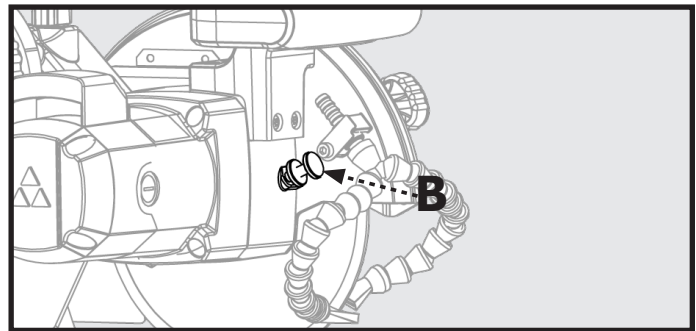


Figure 24

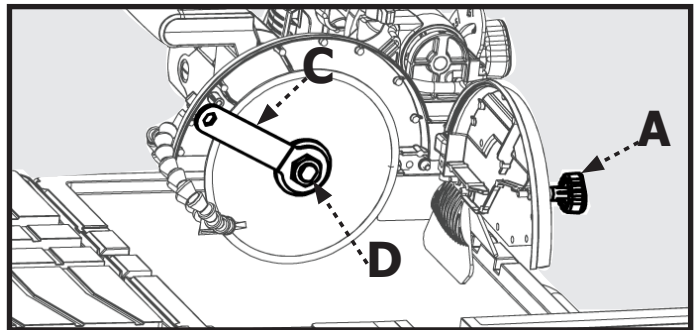


Figure 25

Checking the Bevel

1. Position the worktable (4) so that it is under the blade.
2. Loosen the blade cover lock knob.
3. Swing the blade cover (9) open.
4. With the bevel indicator at 0 degrees, use a framing square to ensure the blade is square with the table.
5. If the blade is not square to the sliding table, adjust the positive stop screw (A) in the direction that the blade needs to move in order to square it to the table. Use a small square to check blade to table squareness.
6. Repeat steps 4 and 5 with the bevel indicator set 45 degrees and using the 45 degree positive stop (C).
7. To adjust pointer (B) to align to 0° or 45° mark on scale loosen screw on pointer and adjust to align to correct mark and re-tighten screw.
8. Close the blade cover and re-lock

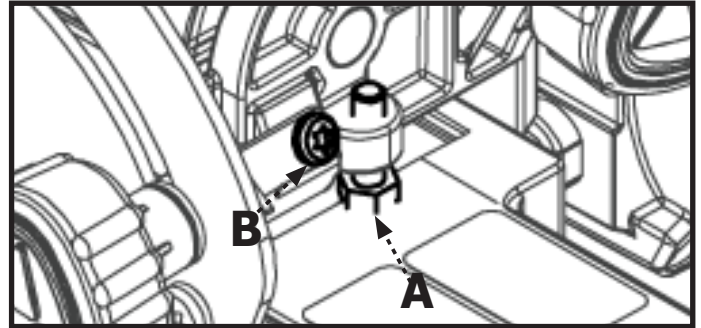


Figure 26

Cleaning the Pump

Remove the front plate and the impeller, and use a small brush or stream of water to clean up any debris.

⚠ CAUTION: The pump shaft cannot be removed.

⚠ WARNING: If the water from the pump is reduced or has stopped, replace the pump or have it repaired by the qualified personnel.

⚠ WARNING: Some dust created by power sanding, sawing, grinding, drilling, and other construction activities contains chemicals known [to the State California] to cause cancer, birth defects or other reproductive harm.

Some examples of these chemicals are:

- Lead from lead-based paints.
- Crystalline silica from bricks and cement and other masonry products.
- Arsenic and chromium from chemically treated lumber.

Your risk from these exposures varies, depending on how often you do this type of work. To reduce your exposure to these chemicals: work in a well ventilated area, and work with approved safety equipment, such as those dust masks that are specially designed to filter out microscopic particles.

Removing the Water Nozzle

It may be necessary to remove or replace the nozzle. If so use perform the following steps:

1. Use the on-board Allen wrench (5b) to loosen the cap screw (C).
2. Flip the retaining arm (D) up and release the nozzle and hose assembly.
3. Grasp the hose and pull the nozzle firmly to disconnect the nozzle from the hose.

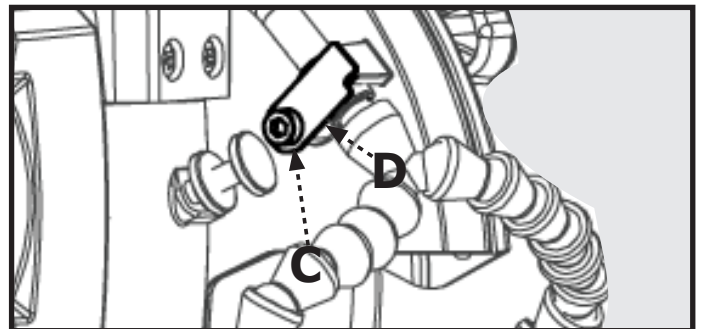
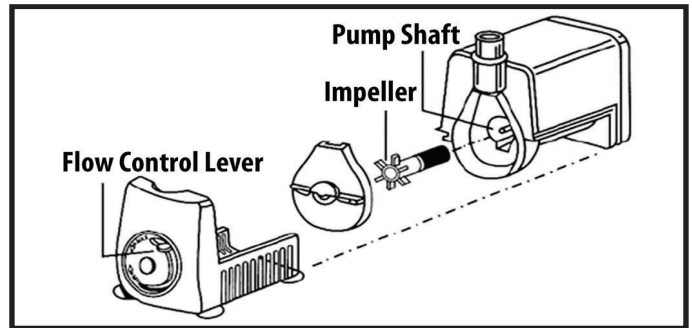


Figure 27

ADJUSTMENTS

⚠ WARNING: Before performing any adjustments, make sure the tool is unplugged from the power supply and the switch is in the OFF position. Failure to heed this warning could result in serious personal injury.

This saw has been adjusted at the factory to make accurate cuts. However, should your tile saw need adjustment after it has been unpacked and assembled or due to machine wear, the following steps will be used to align the table to the saw blade.

NOTE: Do not start any adjustment until you have check alignment with a square and made a test cut to ensure that adjustments are needed for your tile saw.

To Square the Cutting Wheel to the Table

Do not loosen any screws for this adjustment until you have checked alignment with a square and made a test cut to ensure that adjustments are needed for your tile saw.

- Unplug the saw.
- Use the provided Allen wrench to loosen hex socket bolts (A) on the left rail.
- Place a framing square against the worktable fence and flat part of the blade.
- Using Allen wrench to turn set screw (B) to adjust. Move the rail until the fence is square with the blade. (Set screws (B) are located on the outside ends of the rail.)
- Tighten the end hex socket bolts (A) to lock rail in place. Then tighten remaining hex socket bolts (A).

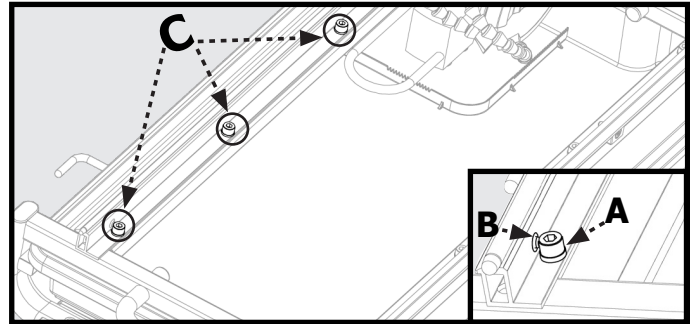


Figure 28

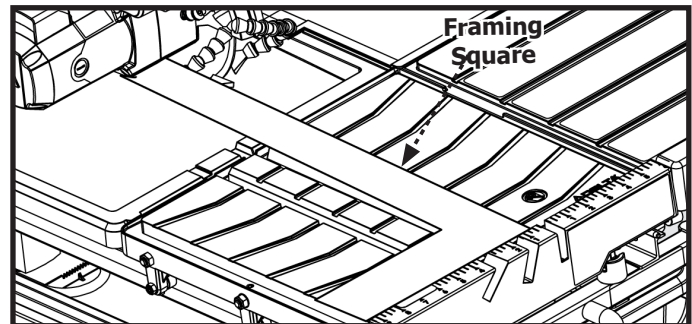


Figure 29

TROUBLESHOOTING

For your safety, turn on/off switch to the OFF position and unplug the saw from the power source before performing any of the trouble shooting steps below.

1. Motor is too hot:

- Turn off motor and let it cool down to room temperature
- Check and clean ventilation openings
- If the above actions do not fix the problem, call the Customer Care at 1-800-223-7278.

2. Motor does not run:

- Verify that all electrical connections are secure
- Test and reset the safety breaker on the power cord ground fault.
- Check that the power source is 120v AC
- If the above actions do not fix the problem, call the Customer Care at 1-800-223-7278

3. Pump does not pump water to table:

- The water in the tray is not deep enough
- The water hose is loose or has come off at the pump
- The pump electrical cord is not firmly inserted into the intended receptacle
- The filter foam in the pump housing is dirty and/or blocked

4. Movement of the sliding tray is not smooth

- The rails are dirty and have build-up from use. Clean rails and guide rollers. Then lubricate them with spray on water resistant lubricant.

ACCESSORIES

For accessories please visit our Web Site for an on-line catalog or for the name of your nearest supplier.

▲ WARNING: Since accessories other than those offered by DELTA® have not been tested with this product, use of such accessories could be hazardous. For safest operation, only DELTA® recommended accessories should be used with this product

PARTS, SERVICE OR WARRANTY ASSISTANCE

All CRUZER Machines and accessories are manufactured to high quality standards and are serviced by a network of an Authorized Service Centers. To obtain additional information regarding your product or to obtain parts, service, warranty assistance, or the location of the nearest service center, please call 1-800-223-7278.

One Year Limited Warranty

1. WHAT IS COVERED. Delta Power Equipment Corporation ("Company") will, at its option, repair or replace this product, if purchased at retail in the United States or Canada and the product, with normal use, has proven to be defective in workmanship or material, subject to the conditions stated in this Limited Warranty. This Limited Warranty covers only materials and labor. All transportation costs are Customer's responsibility.

2. WARRANTY PERIOD. All warranty claims must be submitted within one years from the date of retail purchase. For all service parts and factory refurbished products, the warranty period is 180 days.

3. HOW TO OBTAIN SERVICE. To obtain warranty service, you must return the defective product, at your expense, to a service center authorized by Company to perform warranty service (a "Company Authorized Service Center") within the applicable warranty period, together with acceptable proof of purchase, such as your original receipt bearing the date of purchase, or product registration number. Company reserves the right to restrict warranty claim service to the country where the purchase was made and/or to charge for the cost to export service parts or provide warranty service in a different country. For this purpose, on-line purchases are deemed made in the United States. For the location of your nearest Company Authorized Service Center, call Company's Customer Care Center at (800) 223-7278.

4. EXCLUSIONS.

- Company does not offer any warranty on products purchased in used or damaged condition.
- Company does not warrant any products purchased outside the United States or Canada
- Company will not be responsible for any damage that has resulted from normal wear, misuse, abuse or any repair or alteration made by anyone other than a Company Authorized Service Center or a designated representative of Company's Customer Care Center.

All IMPLIED WARRANTIES are expressly limited to the warranty period identified above.

Company will not be liable for INCIDENTAL OR CONSEQUENTIAL damages.

This limited warranty is Company's sole warranty and sets forth the customer's exclusive remedy with respect to defective products; all other warranties, express or implied, whether of merchantability, fitness for purpose, or otherwise, are expressly disclaimed by Company, except as expressly stated in this warranty statement.

Some states do not allow the exclusion or limitation of incidental or consequential damages, or the limitation of implied warranties, so the above limitations or exclusions may not apply to you. This warranty gives you specific legal rights and you may have other rights which vary in certain states or provinces. For further details of warranty coverage and warranty repair information, call (800) 223-7278. To register your products on-line, we encourage you to visit our website and register for a FREE DELTA® Member Account at <http://www.deltamachinery.com/register>.

LATIN AMERICA: This warranty does not apply to products sold in Latin America. For products sold in Latin America, call the local company or see website for warranty information.

REPLACEMENT PARTS

Use only identical replacement parts. For a parts list or to order parts, visit our website at www.DeltaMachinery.com/service. You can also order parts from your nearest Authorized Warranty Service Center or by calling Technical Service Manager at 1-800-223-7278 to receive personalized support from one of our highly-trained representatives.

FREE WARNING LABEL REPLACEMENT

If your warning labels become illegible or are missing, call 1-800-223-7278 for a free replacement.

SERVICE AND REPAIRS

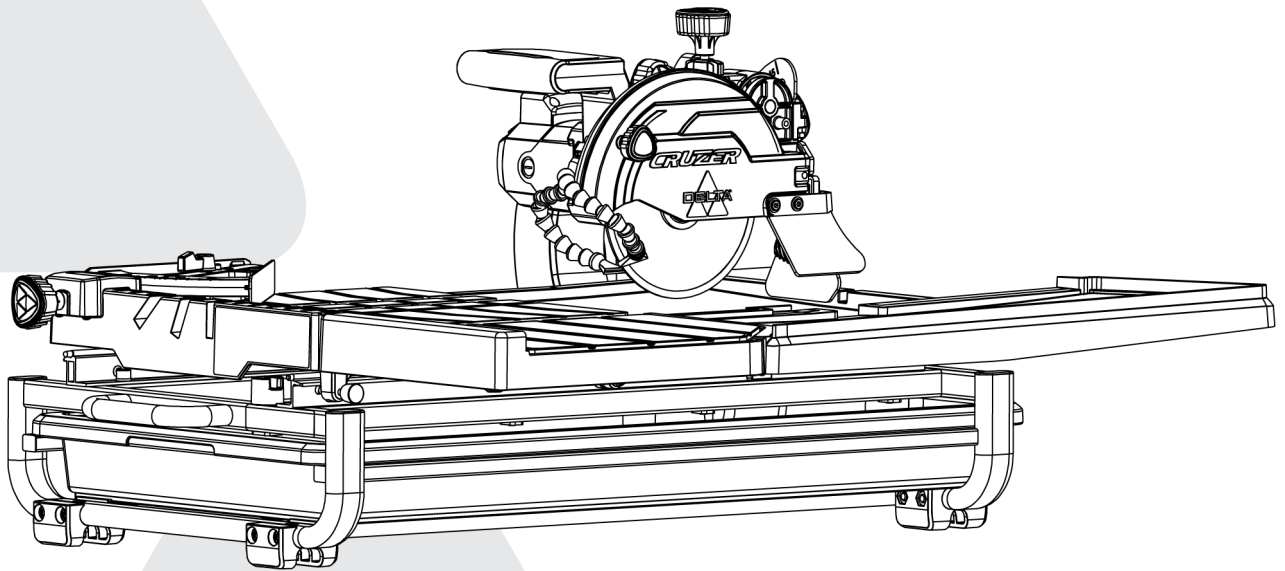
All quality tools will eventually require servicing and/or replacement of parts. For information about Delta Power Equipment Corporation, its factory-owned branches, or to locate an Authorized Warranty Service Center, visit our website at www.DeltaMachinery.com/service or call Customer Care at 1-800-223-7278. All repairs made by our service centers are fully guaranteed against defective material and workmanship. We cannot guarantee repairs made or attempted by others. By calling this number you can also find answers to most frequently asked questions 24 hours/day. You can also write to us for information at Delta Power Equipment Corporation, 2651 New Cut Road, Spartanburg, SC 29303 - Attention: Technical Service Manager. Be sure to indicate all of the information shown on the nameplate of your saw (model number, type, serial number, date code, etc.).

7-inch Wet Tile/Stone Saw

Scie à carrelage / pierre humide de 7 pouces

Azulejo húmedo de 7 pulgadas / sierra de piedra

DELTA[®]



Français (21)

Español (41)

www.DeltaMachinery.com

Instruction Manual

Manual d'utilisation

Manual de instrucciones

96-107

⚠ WARNING: To reduce the risk of serious injury, thoroughly read and comply with all warnings and instructions in this manual and on product
KEEP THIS MANUAL NEAR YOUR PRODUCT FOR EASY REFERENCE AND TO INSTRUCT OTHERS



TABLE DES MATIÈRES

CARACTÉRISTIQUES TECHNIQUES	22	ENTRETIEN	36
CONSIGNES GÉNÉRALES DE SÉCURITÉ	23	Changement de lame	36
Symboles de sécurité	23	Vérification du chanfrein	37
Sécurité de la zone de travail	23	Nettoyage de la pompe	37
Rallonges	23	AJUSTMENTS	38
Directives de MALT	24	DÉPANNAGE DE VOTRE SCIE	39
Sécurité personnelle	24	GARANTIE	40
Sécurité de l'outil	25	ASSISTANCE POUR PIÈCES, SERVICES ET	
Sécurité de réparation	25	GRANANTIE	40
CONSIGNES DE SÉCURITÉ SPÉCIFIQUES POUR		PIÈCES DE RECHANGE	40
SCIE À CÉRAMIQUE	25		
CARACTÉRISTIQUES DE LA SCIE	27	Français	21
DÉBALLAGE DE LA SCIE	28	Espanol	41
Contenu de l'emballage	28		
Contenu du matériel	29		
ASSEMBLAGE	29		
Installation du plateau de collecte d'eau	29		
Fixation de l'ensemble du bras de scie	29		
Fixation de la table de travail	30		
Fixez les plateaux anti-éclaboussures	30		
Installez la rallonge de la table	31		
Fixation du guide d'onglet	31		
DÉPLACEMENT ET RANGEMENT DE LA SCIE	32		
FONCTIONNEMENT	32		
Lubrification de la lame	32		
Mettre la scie en marche et l'arrêter	33		
FAIRE DES COUPES	34		
Coupe parallèle	34		
Coupe à angle	35		
Coupe en biseau	35		
Coupe en plongée	35		
Réglage de la profondeur de coupe	35		

NOTICE: La couverture du guide d'utilisation illustre le modèle du produit actuel. Toutes les autres illustrations contenues dans le guide sont uniquement à titre indicatif et peuvent ne pas être des représentations exactes de l'étiquetage réel ou des accessoires inclus. Elles sont fournies à titre d'exemple seulement.

CARACTÉRISTIQUES TECHNIQUES

Source d'alimentation	120V, 60Hz
Puissance du moteur	13A
Vitesse à vide	5,300RPM
Taille de la meule de tronçonnage diamantée	7 po de dia. X 5/8 po de dia. (alésage)
Profondeur de coupe maximale à 0°	2-3/8"
Profondeur de coupe maximale à 45°	1-1/4"
Plage d'inclinaison	0°, 22,5°, 45°
Coue maximale	26"
Pièce carrée maximum de diagonale	18"

CONSERVEZ CES DIRECTIVES.

Reportez-vous souvent à ces directives et utilisez-les pour informer les autres. Si vous prêtez cet appareil à quelqu'un, prêtez-lui aussi ces directives.

CONSIGNES GÉNÉRALES DE SÉCURITÉ

⚠ AVERTISSEMENT ASSUREZ-VOUS de lire et de comprendre toutes les directives de ce guide avant d'utiliser cette scie à pierre et à céramique humide. Le non-respect de toutes les directives peut entraîner une électrocution, un incendie ou des blessures graves. Certaines poussières créées par les outils électriques contiennent des produits chimiques reconnus par l'État de la Californie comme causant le cancer, des malformations congénitales ou autres problèmes de reproduction. La sécurité repose sur une combinaison d'éléments: faire preuve de bon sens, demeurer vigilant et savoir comment votre scie fonctionne. Lisez ce manuel pour comprendre le fonctionnement de cette scie et la façon de l'utiliser en toute sécurité.

SYMBOLES DE SÉCURITÉ

Le but des symboles de sécurité est d'attirer votre attention sur des dangers potentiels. Les symboles de sécurité et les explications qui les accompagnent doivent être pris en considération. Les avertissements de sécurité n'éliminent PAS les dangers par eux-mêmes. Il n'y a pas de substitut pour des mesures adéquates de prévention des accidents.

⚠ DANGER: Quelqu'un sera gravement blessé ou tué si les consignes de sécurité ne sont pas respectées.

⚠ AVERTISSEMENT Quelqu'un pourrait être gravement blessé ou tué si les consignes de sécurité ne sont pas respectées.

⚠ MISE EN GARDE: Indicate a potentially hazardous situation which, if not avoided, may result in minor or moderate injury.

Des informations supplémentaires concernant l'utilisation appropriée et sécuritaire de cet outil sont disponibles dans les références suivantes :

- Power Tool Institute, 1300 Sumner Avenue, Cleveland, OH 44115-2851 ou en ligne sur www.powertoolinstitute.com
- National Safety Council, 1121 Spring Lake Drive, Itasca, IL 60143-3201
- American National Standards Institute, 25 West 43 rd Street, 4th floor, New York, NY 10036 www.ansi.org — exigences de sécurité ANSI O1.1 pour machines à bois
- Ministère du Travail du gouvernement américain, www.osha.gov

MESSAGES DE PRÉVENTION DES DOMMAGES ET D'INFORMATION

Ces messages informent l'utilisateur sur les directives importantes qui pourraient conduire à des dommages causés à l'équipement ou autres dommages à la propriété si elles ne sont pas respectées. Chaque message est précédé par le mot « REMARQUE », comme dans l'exemple ci-dessous : REMARQUE: Des dommages à l'équipement ou des dommages matériels peuvent survenir si ces consignes ne sont pas respectées.

SÉCURITÉ DE LA ZONE DE TRAVAIL

• GARDER LA ZONE DE TRAVAIL PROPRE ET BIEN ÉCLAIRÉE.

Les établis encombrés et les endroits sombres sont propices aux accidents.

• **NE PAS UTILISER CET APPAREIL DANS UN ENVIRONNEMENT DANGEREUX.** Ne pas utiliser d'outils électriques dans des endroits humides ou mouillés et ne pas les exposer à la pluie. Ne pas faire fonctionner d'outils électriques dans un environnement à potentiel explosif, tel qu'en présence de liquides inflammables, gaz ou poussières. Les appareils électriques créent des étincelles qui peuvent enflammer la poussière ou les vapeurs.

• **UTILISEZ L'OUTIL DANS UN ENDROIT BIEN VENTILÉ,** et supprimez la poussière. La poussière produite par certains matériaux peut être dangereuse pour votre santé. Utilisez des systèmes de récupération de la poussière, lorsque possible.

• **TENIR LES ENFANTS ET LES AUTRES PERSONNES À DISTANCE.** Tous les visiteurs doivent se tenir à une distance sécuritaire de la zone de travail.

• **UTILISEZ LE BON OUTIL.** Ne forcez pas un outil ou un accessoire à faire un travail pour lequel il n'a pas été conçu.

• **ASSUREZ-VOUS QUE LA SCIE EST À L'ÉPREUVE DES ENFANTS ET INVOLABLE.** Utilisez des cadenas, des interrupteurs généraux ou retirez les clés de contact.

SÉCURITÉ ÉLECTRIQUE

⚠ AVERTISSEMENT Pour réduire le risque d'électrocution, garder toutes les connexions au sec et au-dessus du sol. Ne pas toucher à la prise avec les mains mouillées.

• **TENSION:** Avant de brancher l'outil, assurez-vous que la tension de sortie se situe dans la plage de tension indiquée sur la plaque signalétique de l'outil.

• **NE PAS UTILISER DES APPAREILS « CA SEULEMENT » AVEC UNE ALIMENTATION EN CC.**

• **NE PAS EXPOSER LES APPAREILS ÉLECTRIQUES À LA PLUIE OU L'HUMIDITÉ.** L'eau qui pénètre dans un appareil électrique augmente le risque d'électrocution. Si l'outil électrique fonctionne dans un endroit humide, utilisez toujours un disjoncteur de fuite à la terre qui a été vérifié pour alimenter votre outil. Portez toujours des chaussures isolées dans des conditions humides.

• **N'ABIMEZ PAS LE CORDON.** Ne jamais utiliser le cordon pour porter les appareils ni tirer sur la fiche de la prise. Tenez le cordon à l'écart de la chaleur, de l'huile, des arêtes vives ou des pièces mobiles. Remplacez immédiatement un cordon endommagé. Les cordons endommagés augmentent le risque d'électrocution.

• **UTILISEZ UN CIRCUIT MIS À LA TERRE.** Utilisez uniquement des broches à 3 fils et des rallonges à 3 broches à fiches de mise à la terre et fiches à 3 broches pour branchement avec la fiche à trois broches de l'outil.

• **UTILISEZ UNE RALLONGE APPROPRIÉE.**
MESURES DE SÉCURITÉ POUR RALLONGES

• Utilisez uniquement des rallonges qui sont destinées à une utilisation à l'extérieur. Ces rallonges contiennent des indications « W-A » ou « W » et sont identifiées par une indication « Acceptable pour une utilisation avec les appareils utilisés à l'extérieur ».

• Utilisez uniquement des rallonges dont les caractéristiques électriques sont égales ou supérieures à la classe du produit. Ne pas utiliser de rallonges endommagées. Vérifiez la rallonge avant de l'utiliser et remplacez-la si elle est endommagée. N'abimez pas les rallonges et ne tirez pas sur le cordon pour le débrancher. Tenir le cordon à l'écart de la chaleur et des arêtes vives. Débranchez toujours la rallonge de la prise avant de débrancher l'appareil de la rallonge.

• Assurez-vous que votre rallonge est en bon état.

CONSIGNES DE SÉCURITÉ GÉNÉRALES

⚠ AVERTISSEMENT Read all safety warnings, instructions, illustrations and specifications provided with this power tool. Failure to follow all instructions listed below may result in electric shock, fire and/or serious injury.

Save all warnings and instructions for future reference.

TABLEAU 1

Intensité nominale	Volts	Longueur totale du cordon en pieds			
		762,00 cm.	1 524,00 cm.	3 048,00 cm.	4 572,00 cm.
		A.W.G			
0~6	120V~	18	16	16	14
6~10		18	16	14	12
10~12		16	16	14	12
12~16		14	12	non recommandé	

DIRECTIVES DE MALT

• En cas de dysfonctionnement ou de panne, la MALT fournit un chemin de moindre résistance pour le courant électrique afin de réduire le risque d'électrocution. Cet outil a un cordon électrique avec un conducteur de mise à la terre et une fiche de terre. La fiche doit être branchée dans une prise correspondante qui est correctement installée et mise à la terre en conformité avec tous les codes et règlements locaux.

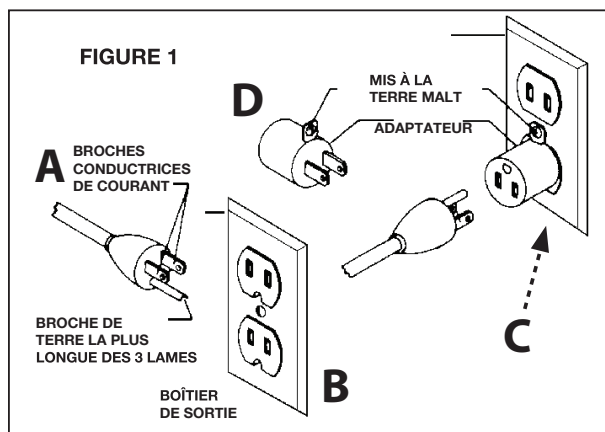
• Ne pas modifier la fiche fournie avec cet outil. Si la fiche ne rentre pas dans la prise, faites installer une prise adéquate par un électricien qualifié.

• Une mauvaise connexion du conducteur de terre peut provoquer une électrocution. Le fil recouvert d'une isolation verte est le conducteur de terre de l'équipement. Si la réparation ou le remplacement du cordon électrique ou de la fiche est nécessaire, ne pas brancher le fil vert à une borne sous tension.

• Vérifiez auprès d'un électricien qualifié ou du personnel de réparation si vous ne comprenez pas complètement les directives de mise à la terre, ou si vous ne savez pas si la prise ou l'outil est correctement mis à la terre. Utilisez uniquement des rallonges à 3 fils munies de fiches de mise à la terre à 3 broches pour branchement avec la fiche à trois broches de l'outil.

• Faites réparer ou remplacer un cordon endommagé ou usé immédiatement.

• Cet outil est destiné à être utilisé sur un circuit avec une prise mise à la terre (B, Fig. 1). L'outil dispose d'une prise de terre (A, Fig. 1).



• Un adaptateur temporaire (D, Fig. 1) peut être utilisé pour brancher cette fiche à une prise à 2 pôles (C, Fig. 1) si une prise de terre n'est pas disponible. L'onglet de couleur verte de l'adaptateur doit être connecté à une MALT permanente, comme un boîtier de prise correctement mise à la terre. L'adaptateur temporaire ne doit être utilisé que jusqu'à ce qu'un électricien qualifié puisse installer une prise correctement mise à la terre.

• Une protection avec un disjoncteur de fuite à la terre (GFCI) devrait être utilisée sur le circuit ou la prise à être utilisé pour la scie. Des prises sont également disponibles ayant la protection de GFCI intégrée et peuvent être utilisées pour cette mesure de sécurité.

SÉCURITÉ PERSONNELLE

⚠ AVERTISSEMENT L'utilisation de tout outil électrique peut entraîner la projection d'objets dans les yeux, ce qui peut entraîner de graves lésions oculaires. Toujours porter des lunettes de sécurité ou des lunettes de sécurité avec écran latéral et écran facial complet lors de l'utilisation d'outils. Nous recommandons un masque de sécurité à vue panoramique par-dessus des lunettes ou des lunettes de sécurité munies d'écrans. Toujours utiliser des lunettes de protection conformes à la norme ANSI Z87.1

• **RESTEZ VIGILANT, ATTENTIF À CE QUE VOUS FAITES, et UTILISEZ VOTRE JUGEMENT** lorsque vous utilisez un outil électrique.

• **NE PAS** utiliser l'outil si vous êtes fatigué ou sous l'influence de drogues, d'alcool ou de médicaments.

• **PORTEZ DES VÊTEMENTS APPROPRIÉS.** Ne pas porter de vêtements amples, de gants, cravate, bagues, bracelets ou autres bijoux.

• Attachez vos cheveux s'ils sont longs. Les chaussures antidérapantes sont recommandées.

• **GARDEZ VOS CHEVEUX, VÊTEMENTS ET GANTS ÉLOIGNÉS DES PIÈCES MOBILES.**

• **RETIREZ LES CLÉS DE RÉGLAGE.**

Prenez l'habitude de vérifier que les clés de réglage sont retirées de l'outil avant de le mettre sous tension.

• **PORTEZ TOUJOURS DES LUNETTES DE SÉCURITÉ.**

Les lunettes ordinaires peuvent avoir des verres résistants aux chocs, mais ce ne sont PAS des lunettes de sécurité.

• **UTILISEZ UN MASQUE FACIAL OU ANTI-POUSSIÈRE,** si l'utilisation génère de la poussière.

• **PORTEZ UNE PROTECTION AUDITIVE** pour aider à prévenir la perte d'audition.

• **Ne touchez jamais les broches de la fiche électrique** tout en l'insérant dans une prise électrique ou en la retirant.

• **NE VOUS TENEZ JAMAIS SUR L'OUTIL.**

Des blessures graves peuvent se produire si l'outil bascule ou si l'outil de coupe est touché de manière involontaire.

CONSIGNES DE SÉCURITÉ GÉNÉRALES

SÉCURITÉ DES OUTILS

• GARDEZ TOUS LES PROTECTEURS

EN PLACE et état de marche.

• **ÉVITEZ TOUT DÉMARRAGE ACCIDENTEL.** Vérifiez que l'interrupteur est en position Arrêt (« Off ») avant de brancher l'outil dans une prise électrique.

• **NE TRANSPORTEZ PAS UN OUTIL AVEC VOTRE DOIGT SUR L'INTERRUPTEUR.**

• **NE PAS VOUS ÉTIRER.** Gardez votre équilibre en tout temps.

• **NE PAS FORCER L'OUTIL.** Utilisez un outil de coupe et une meule de tronçonnage qui sont adaptés à votre application. L'utilisation de l'outil de coupe et de la meule à tronçonner adéquats feront un meilleur travail de façon sécuritaire à la vitesse pour laquelle ils sont conçus.

• **NE PAS UTILISER L'APPAREIL SI L'INTERRUPTEUR NE L'ALLUME PAS ET NE L'ÉTEINT PAS.** Tout appareil qui ne peut pas être contrôlé par son interrupteur est dangereux et doit être réparé.

• **DÉBRANCHEZ L'APPAREIL** avant de le réparer, lors du changement d'accessoires (tels que les meules de tronçonnage) ou lors du rangement de l'outil.

• **RANGÉZ LES APPAREILS HORS DE LA PORTÉE DES ENFANTS** et des autres personnes inexpérimentées.

• **NE JAMAIS LAISSER L'OUTIL EN MARCHÉ SANS SURVEILLANCE ; COUPEZ LE COURANT.** Ne délaissiez pas l'outil tant qu'il ne s'est pas complètement arrêté.

• **FAITES TOUJOURS UN ENTRETIEN SOIGNÉ DES OUTILS.** Garder les appareils bien affûtés et propres. Des appareils bien entretenus avec des arêtes de coupe tranchantes sont moins susceptibles de bloquer et sont plus faciles à contrôler. Suivez toutes les directives pour lubrifier et changer les accessoires.

• **VÉRIFIEZ LES PIÈCES ENDOMMAGÉES.** Avant d'utiliser l'appareil, un protecteur ou toute autre pièce endommagée doit être soigneusement examiné afin de déterminer s'il fonctionne correctement et remplit sa fonction. Vérifiez l'alignement des pièces mobiles, ruptures de pièces et toute autre condition qui peut affecter le fonctionnement de l'appareil. Un protecteur, une roue de coupe ou toute autre pièce endommagée doit être correctement réparées ou remplacée par un centre de service agréé.

• **UTILISEZ LES ACCESSOIRES RECOMMANDÉS.** Consultez le guide du produit pour savoir quels accessoires sont recommandés. L'utilisation d'accessoires inadéquats peut augmenter le risque de blessures.

SÉCURITÉ DE RÉPARATION

• Si une pièce de cette scie est manquante ou brisée, déformée ou ne fonctionne pas de la bonne manière ou si une composante électrique ne fonctionne pas correctement : Éteignez toujours l'interrupteur et retirez la fiche de la source d'électricité, et faites remplacer la pièce manquante, endommagée ou défectueuse avant de reprendre le travail.

• Lors de la réparation d'un appareil, utilisez TOUJOURS des pièces de rechange identiques. Suivez les directives de la section sur l'entretien de ce guide. L'utilisation de pièces non autorisées ou le non-respect des directives d'entretien peuvent créer un risque d'électrocution ou de blessure.

CONSIGNES DE SÉCURITÉ SPÉCIFIQUES POUR LES SCIES À PIERRE ET À CÉRAMIQUE HUMIDE

⚠ AVERTISSEMENT ASSUREZ-VOUS de lire et de comprendre toutes les directives de ce guide avant d'utiliser cette scie à pierre et à céramique humide. Le non-respect des directives peut entraîner une électrocution, un incendie ou des blessures graves.

⚠ AVERTISSEMENT Pour réduire le risque d'erreurs qui pourraient causer une blessure grave et permanente, ne branchez pas la scie dans une prise électrique tant que les étapes suivantes n'ont pas donné des résultats satisfaisants :

- Montez la scie entièrement (voir la section « Montage »).
- Apprenez comment utiliser l'interrupteur MARCHÉ/ARRÊT, le protecteur de lame, le protecteur de surintensité, le mécanisme de verrouillage de la broche, le bouton d'arrêt de réglage de la profondeur, le bouton de réglage de la profondeur, le bouton de réglage de coupe en biseau, le guide universel, etc. (voir « Familiarisez-vous avec votre scie »).
- Passez en revue et comprenez toutes les consignes de sécurité et les procédures d'exploitation dans ce guide.
- Passez en revue les méthodes d'entretien pour cette scie (voir la section « Entretien de votre scie »).
- Ne mettez jamais les mains ou les doigts sur la trajectoire de la lame de la scie ou tout autre outil de coupe.
- Ne touchez jamais l'arrière de la lame avec la main pour une raison quelconque. Ne touchez jamais l'arrière de la lame pour tenir la pièce en place, la soutenir, retirer les débris ou pour toute autre raison.

• Ne placez jamais la main dans une position où un glissement soudain pourrait causer que vos doigts ou la main se déplacent vers la lame.

• Recherchez et lisez toutes les étiquettes d'avertissement sur l'outil.

Les étiquettes peuvent comprendre les symboles suivants.

V	– Volts
A	– Ampère
Hz	– Hertz
W	– Watts
min	– Minutes
~	– Courant alternatif
n_o	– Vitesse à vide
RPM	– Rotations par minute

⚠ Indique un danger, un avertissement ou une précaution. Cela signifie de porter attention! Votre sécurité est en jeu.

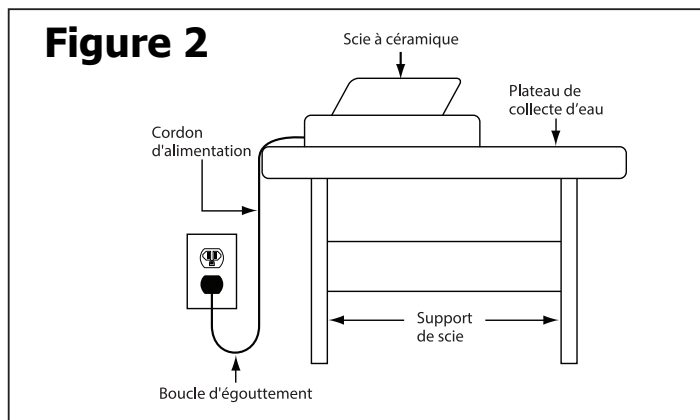
Suite à la page 25

CONSIGNES DE SÉCURITÉ SPÉCIFIQUES POUR SCIE À PIERRE ET À CÉRAMIQUE HUMIDE

Laisser la poussière pénétrer dans la bouche, les yeux ou demeurer sur la peau peut favoriser l'absorption de produits chimiques nocifs.

L'utilisation d'accessoires qui ne sont pas recommandés pour une utilisation avec cet outil peut créer des conditions dangereuses.

- **DIRECTION DU TRAVAIL :** Avancez toujours la pièce vers la meule à tronçonner contre la direction de rotation de la meule.
- **Après avoir arrêté la scie, ATTENDEZ QUE LA LAME CESSE COMPLÈTEMENT DE TOURNER** avant de retirer des morceaux coincés ou coupés de la zone de coupe.
- **POSITION DE LA SCIE À CÉRAMIQUE :** Pour éviter la possibilité que la prise ou la fiche ne soient mouillées, positionnez la scie d'un côté d'une prise murale. Formez une « boucle d'égouttement » dans le cordon qui branche la scie à la prise. (Fig. 2)



La « boucle d'égouttement » est une section du cordon qui pend au-dessous du niveau de la prise ou en dessous du connecteur, si une rallonge est utilisée, pour éviter que l'eau qui coule le long du cordon ne vienne en contact avec la prise.

Si la fiche ou la prise est mouillée, NE PAS débrancher le cordon. Débranchez le fusible ou le disjoncteur qui alimente l'outil. Ensuite, débranchez l'outil et examinez la prise. Ne pas utiliser la prise tant qu'elle n'est pas complètement sèche.

PROPOSITION 65 DE LA CALIFORNIE

⚠ AVERTISSEMENT Ce produit et des poussières créées par le ponçage, le sciage, le meulage, le perçage et autres opérations de construction contiennent des produits chimiques reconnus par l'État de la Californie comme causant le cancer, des malformations congénitales ou autres problèmes de reproduction. Lavez vos mains après la manipulation.

Quelques exemples de ces produits chimiques :

- Le plomb des peintures à base de plomb
- La silice cristalline des briques et du ciment et autres produits de maçonnerie
- L'arsenic et le chrome des bois traités chimiquement

Votre risque d'exposition à ces produits chimiques varie en fonction de la fréquence de ce type de travail. Pour réduire votre exposition à ces produits chimiques, travaillez dans un endroit bien aéré et utilisez des équipements de sécurité approuvés tels que des masques de protection spécialement conçus pour filtrer les particules microscopiques. Éviter le contact prolongé avec la poussière de ponçage, de sciage, de meulage, de perçage et d'autres activités de construction. Portez des vêtements de protection et nettoyez les parties exposées avec de l'eau et du savon.

CONSERVEZ CES DIRECTIVES.

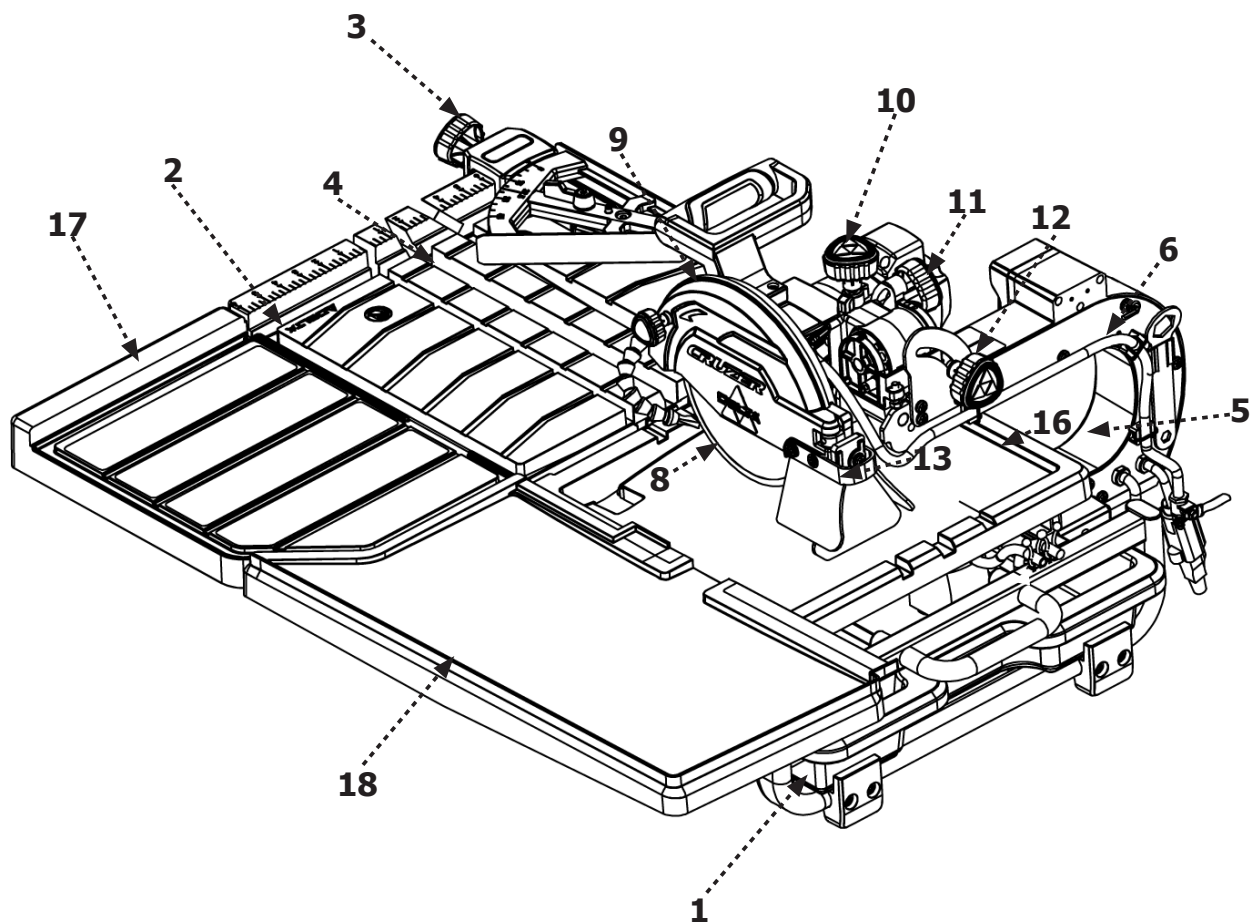
Consultez souvent ces directives et utilisez-les pour informer les autres.

Si vous prêtez cet appareil à quelqu'un, prêtez-lui aussi ces directives.

CARACTÉRISTIQUES DE LA SCIES

The part names and part numbers correspond to those used in the Assembly, Operations and Maintenance sections of this manual.

1. Plateau de collecte d'eau
2. Rail avant, bâti principal
3. Guide d'onglet
4. Table de travail
5. Ensemble de moteur/bras
6. Tuyau d'eau
7. Pompe submersible (non illustrée)
8. Lame diamantée
9. Protège-lame
10. Plunge lock knob
11. Bouton de verrouillage de plongée
12. Bouton de réglage d'arrêt de la lame
13. Bouton de verrouillage du biseau
14. Pare-éclaboussures
15. Interrupteur Marche/Arrêt (non illustré)
16. Bouchon de vidange (non illustré)
17. Bac supérieur d'éclaboussure
18. Rallonge de la table
19. Côté Plateau anti-éclaboussures



▲ AVERTISSEMENT L'utilisation d'un accessoire ou d'une pièce différente de ce qui est recommandé dans ce guide d'utilisation et l'utilisation de l'outil d'une manière différente peuvent présenter un risque de blessures.

DÉBALLAGE

⚠ AVERTISSEMENT Avant de monter et d'utiliser cet outil, lisez ce guide pour vous familiariser avec le montage, l'entretien et les procédures de sécurité.

Vérifiez la boîte d'emballage et l'appareil pour tout dommage avant de déballer. Retirez délicatement les composants de la couche supérieure de mousse. Retirez la couche supérieure de mousse puis retirez tous les composants dans la couche inférieure de mousse. Disposez toutes les pièces sur un morceau de carton ou autre surface plane et propre. Vérifiez toujours les matériaux de protection autour des moteurs et des pièces mobiles et retirez-les. Ne jetez pas le carton et les matériaux d'emballage avant d'avoir soigneusement inspecté le contenu, monté l'appareil et l'avoir fait fonctionner correctement et à votre satisfaction.

CONTENU DE L'EMBALLAGE

Description (QTÉ)

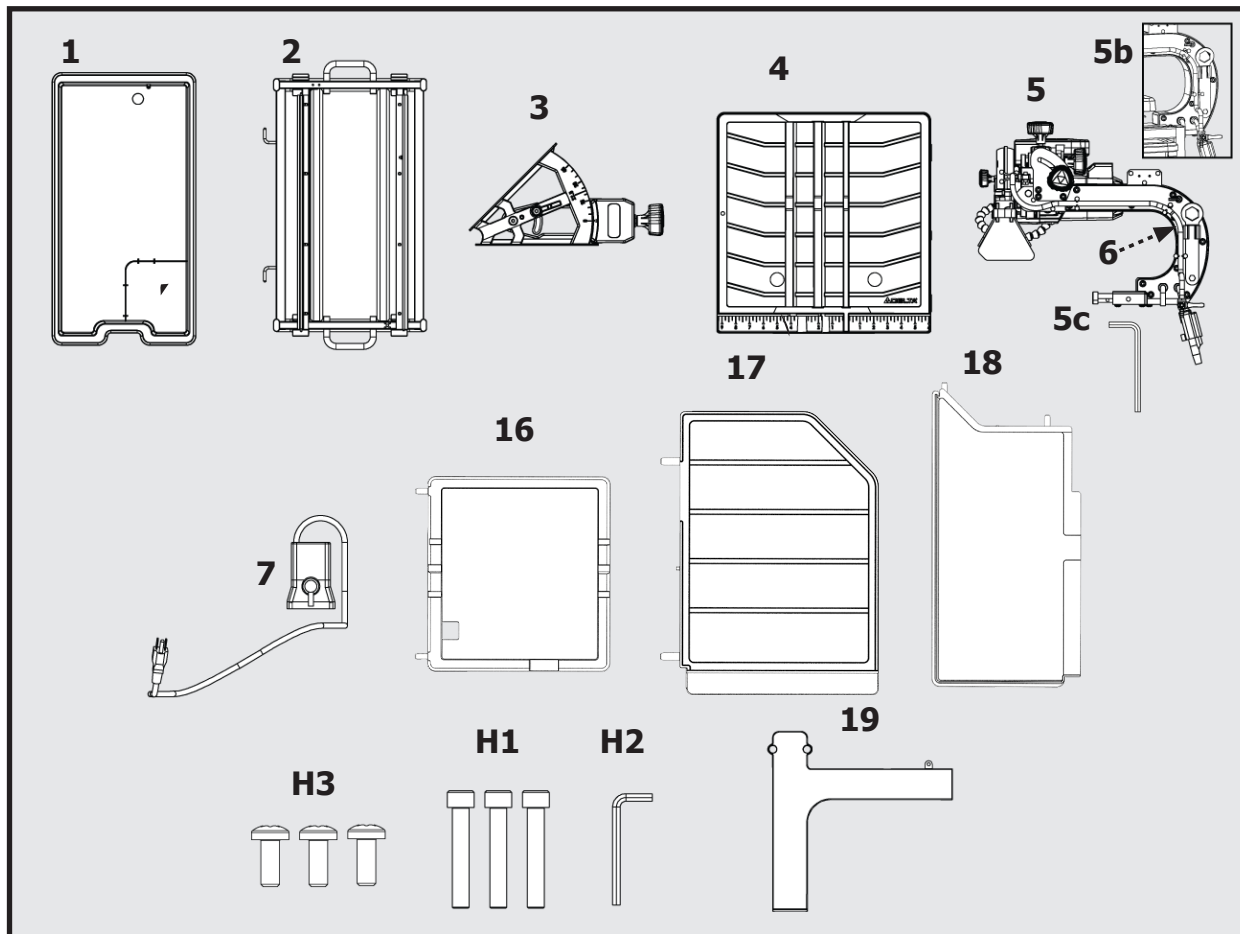
- | | | | |
|-----|--------------------------------|-----|--|
| 1. | Plateau de collecte d'eau (1) | 7. | Pompe (1) |
| 2. | Bâti principal (1) | 16. | Côté Plateau anti-éclaboussures (1) |
| 3. | Calibre à onglet (1) | 17. | Extension de table (1) |
| 4. | Table de travail (1) | 18. | Bac supérieur d'éclaboussure (1) |
| 5. | Assemblage du bras de scie (1) | 19. | Plateau guidé (1) |
| 5b. | Clé de la lame (1) | H1. | Vis à tête hexagonale M10 X 60 (3) |
| 5c. | Clé Allen de 4 mm (1) | H2. | Clé Allen 8mm (1) |
| 6. | Tuyau (1) | H3. | Vis autotaraudeuse en plastique Philips M4 x 10(3) |

Comparez le contenu de l'emballage à la liste des pièces des composants et du matériel avant le montage pour vous assurer que tous les éléments sont présents. Inspectez soigneusement les pièces pour vérifier qu'aucun dommage n'est survenu pendant l'expédition. Si des pièces sont manquantes, endommagées ou prémontées, ne montez pas l'appareil.

Appelez plutôt le Centre de service pour de l'assistance.

Après le montage, retirez tous les matériaux et revêtements de protection de toutes les pièces et de la scie. Les revêtements de protection peuvent être enlevés par pulvérisation de WD-40® et en les essuyant avec un chiffon doux. Il peut être nécessaire de répéter à quelques reprises avant que tous les revêtements de protection ne soient complètement enlevés.

Les noms de pièce et les numéros de pièce correspondent à ceux utilisés dans les sections d'assemblage, d'exploitation et d'entretien de ce guide.



INSÉREZ LE PLATEAU DE COLLECTE D'EAU

⚠ AVERTISSEMENT Assurez-vous que la scie est sur une surface plane et stable.

Insérez le bac à eau (1) en le faisant glisser dans l'ordinateur principal (2), comme illustré à la figure 5.

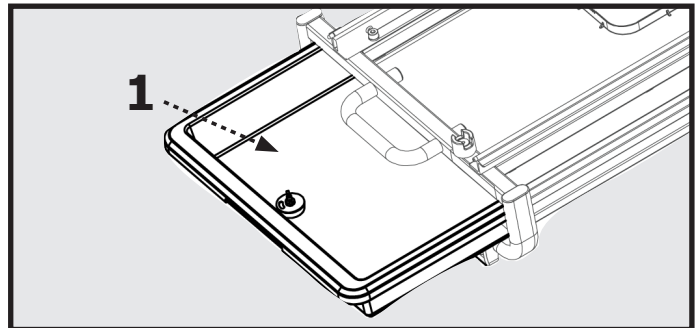


Figure 5

FIXATION DE L'ENSEMBLE DU BRAS DE LA SCIE

1. Fixez l'ensemble du bras de scie au cadre principal en alignant d'abord les pions (C) de l'ensemble du bras de scie sur les trous du cadre principal, comme illustré à la Figure 6.
2. Fixez l'ensemble du bras de scie à l'aide des trois vis à tête hexagonale M10 X 60 (H1) et de la clé Allen de 8 mm (H2), comme illustré à la figure 7.

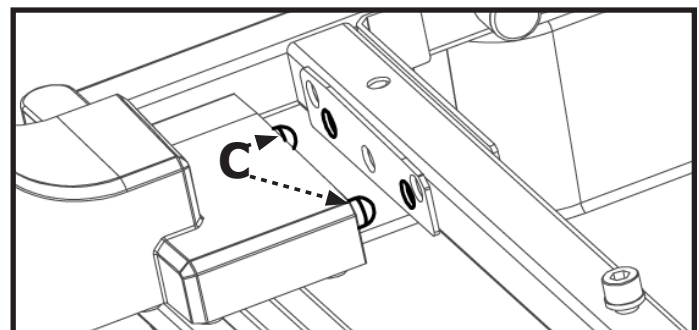


Figure 6

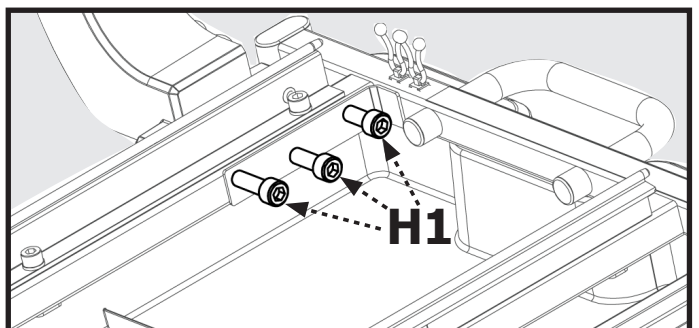


Figure 7

MONTAGE

Fixer La Table De Travail

1. Assurez-vous que le verrou à fente de la table est desserré en position ouverte, comme illustré à la figure 8, de sorte que la rainure soit parallèle au sens de déplacement de la table.
2. Positionnez la table de travail (4) de manière à aligner les roulements de gauche, comme indiqué à la figure 8. Les plus gros rouleaux (B) doivent être guidés sur le dessus des rails, de même que les plus petits rouleaux (C) doivent être guidés sous les rails.
3. Desserrez le boulon de la butée de table (C) avec la clé Allen 4 mm (5c). Pour empêcher le retrait de la table, faites pivoter la butée de la table de 90 degrés comme indiqué à la figure 9b et serrez. Pour retirer la table, desserrez le boulon et faites pivoter l'arrêt de la table de 90 degrés dans la position indiquée à la figure 9a.
4. Pour verrouiller la table en place, engagez le verrou de la table (D) dans le rail à l'emplacement indiqué à la figure 9a.

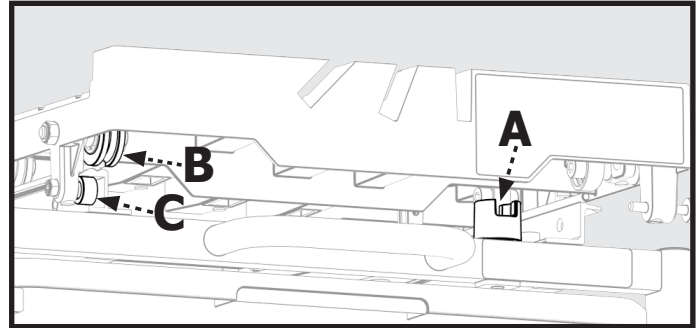


Figure 8

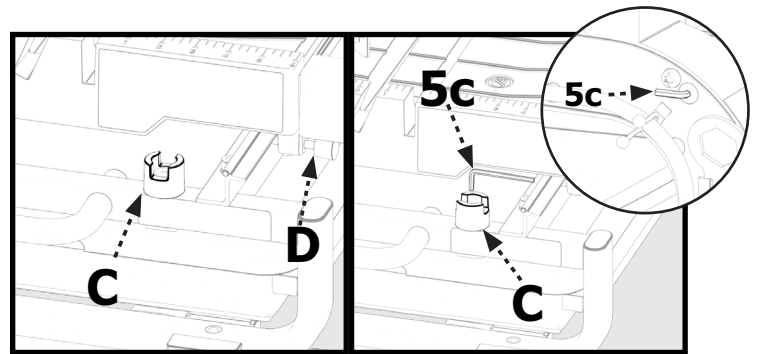


Figure 9a

Figure 9b

Fixer Un Plateau Guidé

1. Fixez le plateau guidé (19) au plateau anti-éclaboussures (16) à l'aide de trois vis autotaraudeuses en plastique M4 x 10 Phillips (H3), comme indiqué dans la figure 10.

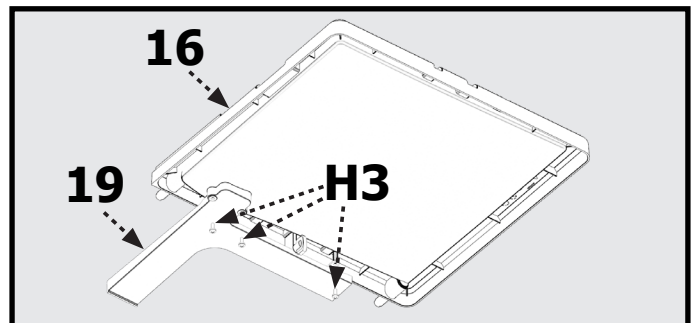


Figure 10

Fixer Le Plateau De Protection

1. Faites glisser la table de travail (4) vers l'avant, comme illustré à la figure 11a, pour fixer le plateau à éclaboussures (16).
2. Alignez les piquets (A) dans les trous de la table de travail (4), comme illustré à la figure 11a. Fixez les deux tables ensemble en serrant la vis à oreilles (B) sous le plateau anti-éclaboussures, comme illustré à la figure 11b.

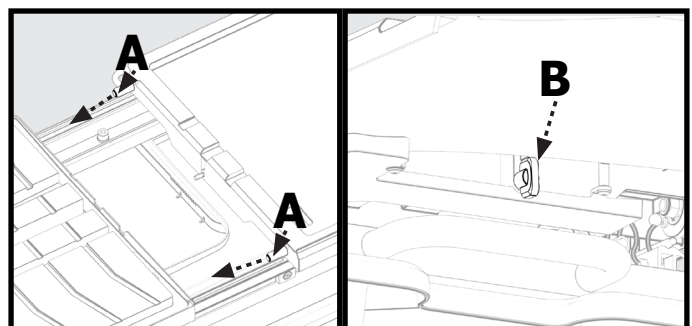


Figure 11 A

Figure 11 B

INSTALLATION DE LA RALLONGE DE LA TABLE

1. L'extension de table (17) s'installe sur le côté droit de la table de travail (4).
2. Positionnez la rallonge de table de sorte que les deux chevilles (A) soient alignées avec les trous (B) de la table de travail, comme illustré à la figure 12.
3. Fixez la rallonge de table à la table de travail en serrant la vis à mollette située sous la rallonge de table, comme illustré à la figure 13.

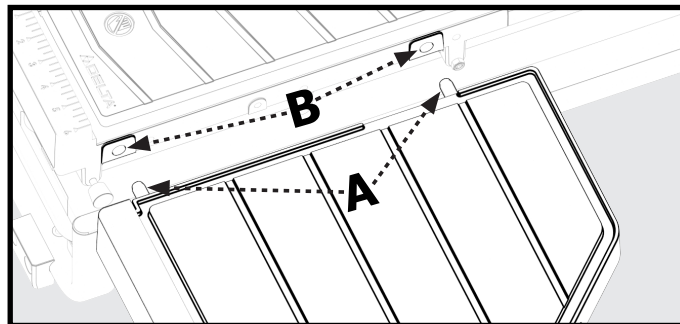


Figure 12

Installé Côté Plateau anti-éclaboussures

1. Placez le plateau à éclaboussures latéral (18) de manière à l'aligner avec l'extension de la table.
2. Fixez le plateau anti-éclaboussures latéral à la rallonge de table en serrant la vis à mollette (C) située sous le plateau anti-éclaboussures latéral, comme illustré à la figure 14.

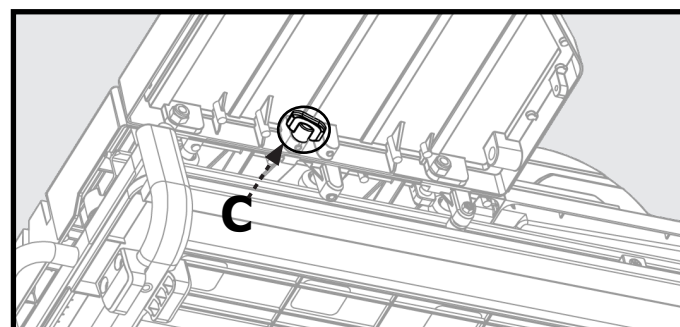


Figure 13

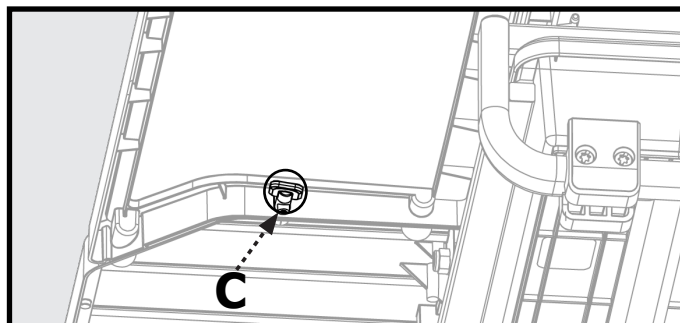


Figure 14

Fixer Le Guide D'onglet

1. Fixez la jauge à onglets (3) en la plaçant par-dessus le bord avant de la table et serrez-la à l'aide du bouton de verrouillage à onglet (D), comme indiqué dans la figure 15.

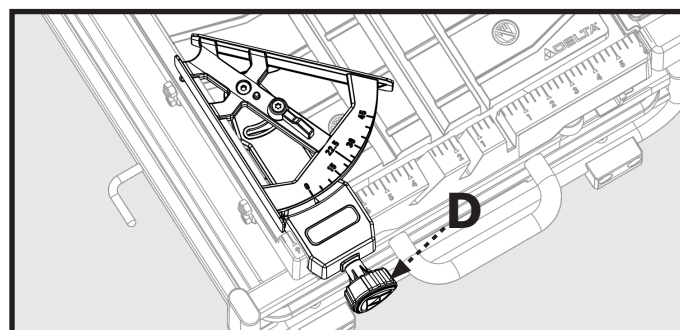


Figure 15

DÉPLACEMENT ET RANGEMENT DE LA SCIE

⚠ AVERTISSEMENT Le déplacement ou le repositionnement de la scie nécessite deux personnes, l'une à chaque extrémité du bâti principal.

⚠ AVERTISSEMENT L'ensemble de bras de scie est lourd. Assurez-vous que le bras de scie est supporté séparément ou le bâti principal sera déséquilibré lors du levage de la scie. Utilisez les muscles des jambes pour soulever et abaisser le bâti principal pour minimiser les risques de blessure.

Lors du repositionnement de la scie sur une nouvelle surface, retirez d'abord le bâti principal du support. Ensuite, mettez le support solidement en place en position à niveau à l'endroit désiré sur une surface stable qui soutiendra le support, le bâti et le contenu avant de le placer le bâti principal sur le support.

⚠ AVERTISSEMENT Assurez-vous que les montants de la scie sont correctement centrés sur les rails du support avant de mettre la scie en marche.

FONCTIONNEMENT

⚠ AVERTISSEMENT Le non-respect des consignes suivantes peut entraîner des blessures graves.

LISEZ LE GUIDE EN ENTIER. En plus de la lecture de ces directives de fonctionnement, il est important de lire et de comprendre le guide en entier avant d'utiliser cette scie. Suivez toutes les directives applicables concernant le montage, la préparation et le réglage avant de faire des coupes et respectez toutes les consignes de sécurité et les avertissements dans cette section et ailleurs dans ce guide.

LUBRIFICATION DE LA LAME

⚠ AVERTISSEMENT Le manque d'eau de refroidissement peut endommager la lame. Pour assurer un bon fonctionnement, il doit y avoir un écoulement constant d'eau sur la lame.

Il existe deux façons d'assurer un écoulement constant d'eau sur la lame :

- par le plateau de collecte d'eau
- en utilisant un seau de remplissage.

POUR UTILISER LE PLATEAU DE COLLECTE D'EAU

1. Vérifiez que le bouchon de vidange (A, fig. 11) est bien inséré dans le drain et que l'écrou papillon de blocage (B, fig. 11) est serré.
2. Fixez l'extrémité libre du tuyau d'eau dans le raccord de sortie (C, fig. 12) de la pompe submersible (7).
3. Placez la pompe dans la partie inférieure du plateau de collecte d'eau (1) à l'intérieur de la zone de confinement, comme indiqué sur la figure 12 et pressez fermement vers le bas de sorte que les ventouses aient bien adhéré.
4. Fixez le mou dans le tuyau d'eau et le cordon d'alimentation de la pompe à l'outil en utilisant les attaches fournies (D, fig. 12).
5. Remplissez le plateau de collecte d'eau à un niveau qui recouvre entièrement le filtre de la pompe/l'admission.

REMARQUE : Afin de garantir le fonctionnement sécuritaire de la pompe, retirez le couvercle d'entrée sur la face de la pompe et assurez-vous que toute l'ouverture circulaire de l'entrée est sous l'eau.

REMARQUE : Si vous ne vous assurez pas que la pompe est suffisamment immergée, ceci entraînera une surchauffe de la pompe, empêchant le mécanisme de refroidissement de fonctionner correctement. Lorsque vous utilisez le plateau de collecte d'eau comme source d'eau, vérifiez toujours pour vous assurer que la pompe est toujours complètement immergée dans le plateau.

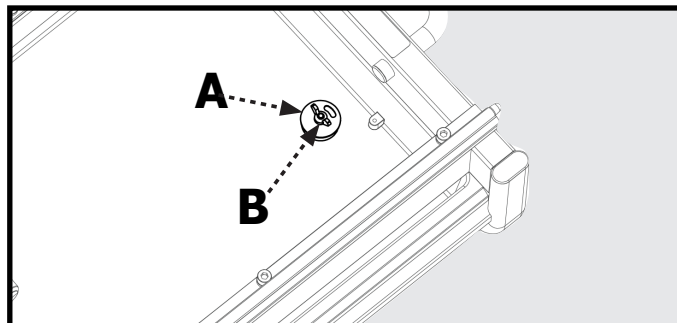


Figure 16

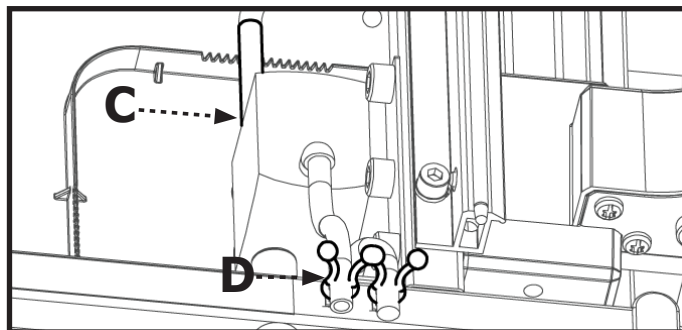


Figure 17

METTRE EN MARCHÉ ET ARRÊTER LA SCIE

Branchez l'appareil à une source d'alimentation avec la bonne tension et fréquence (120V).

1. Pour démarrer le moteur, placez l'interrupteur (C) à la position « Marche ».
2. Pour arrêter le moteur, placez l'interrupteur (C) à la position « Arrêt ».

REMARQUE : Si la fiche de la pompe est insérée dans la prise de la pompe sur le moteur, la pompe sera mise en marche lorsque le moteur sera mis en marche.

UTILISATION DU VERROU DE SÉCURITÉ

Lorsque la scie n'est pas utilisée, l'interrupteur Marche/Arrêt doit être verrouillé en position Arrêt, à l'aide d'un cadenas à longue anse de 3/16 po.

Pour verrouiller la scie :

1. Insérez l'anse à travers le trou situé sous l'interrupteur et passez là à travers la languette de verrouillage sur l'interrupteur et ressortez là de l'autre côté.
2. Verrouillez le cadenas.
3. Rangez la clé dans un endroit sûr et loin de la scie.

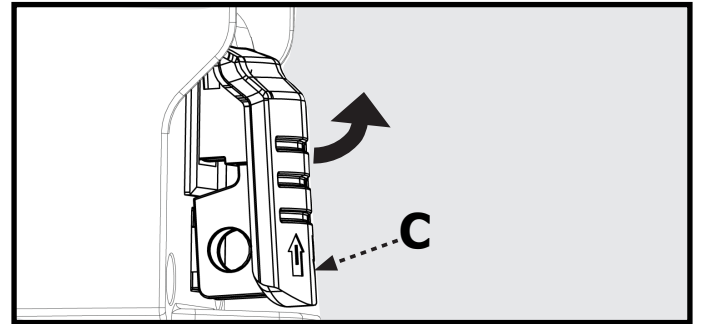


Figure 18

FONCTIONNEMENT

FAIRE DES COUPES

⚠ AVERTISSEMENT Assurez-vous que l'actionneur de l'interrupteur est à la position « Arrêt » lors du réglage du moteur.

⚠ AVERTISSEMENT N'essayez pas de couper de très petits morceaux. Évitez les positions inconfortables des mains où un glissement soudain pourrait causer que votre main ou un doigt vienne en contact avec la roue de coupe diamantée. Lors de la coupe d'un matériau, assurez-vous que la pièce est entièrement soutenue. Maintenez la pièce fermement. Ne forcez pas la pièce dans la lame.

⚠ AVERTISSEMENT Assurez-vous que le bouton réglage de profondeur de coupe et le bouton de réglage de coupe en biseau sont resserrés avant d'utiliser la scie.

⚠ AVERTISSEMENT Veillez toujours à ce que la pompe soit branchée dans la prise d'alimentation sur la scie à céramique. Le fait de brancher la pompe dans toute autre prise que celle fournie sur la scie peut entraîner des risques d'électrocution.

⚠ AVERTISSEMENT Assurez-vous que la pompe est complètement immergée dans l'eau pour protéger la pompe d'une défaillance

Coupe parallèle

Une coupe parallèle est faite avec le guide d'onglet (3) à 45° degrés (la face du guide d'onglet est parallèle à la roue de coupe). Pour faire une coupe parallèle :

1. Assurez-vous que la flèche d'angle (A) sur le guide d'onglet pointe vers 45°.
2. Desserrez le bouton (B) sur le guide d'onglet.
3. Ajustez le guide d'onglet de sorte que l'angle désiré sur le guide s'aligne sur la flèche d'angle (A).
4. Serrez le bouton.
5. Positionnez et appuyez sur le carreau fermement contre le guide d'onglet et déplacez la table de manière uniforme avec les deux mains lors de la coupe. Ne forcez pas la pièce de travail et ne déplacez pas la table trop rapidement.

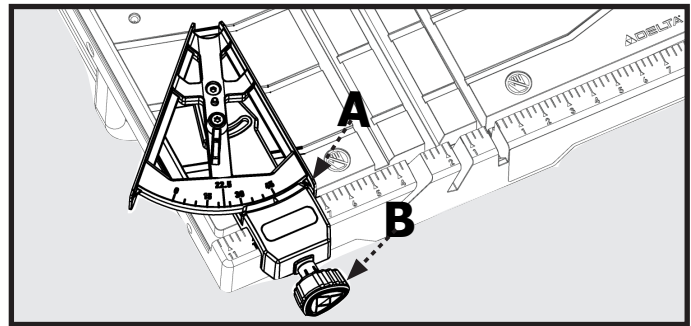


Figure 19

Coupe angulaire

À l'aide du guide d'onglet, vous pouvez faire des coupes angulaires jusqu'à 45 degrés. Pour faire une coupe angulaire :

1. Desserrez le bouton de verrouillage (C) sur le guide d'onglet.
2. Ajustez le guide d'onglet à l'angle désiré et serrez le bouton.
3. Utilisez le guide d'onglet pour aligner le matériau pour la coupe angulaire.
4. Déplacez la table vers l'avant avec les deux mains pendant la coupe tout en maintenant le carreau fermement contre l'anti-recul de la table.
5. Ne forcez pas la pièce de travail et ne déplacez pas la table trop rapidement.

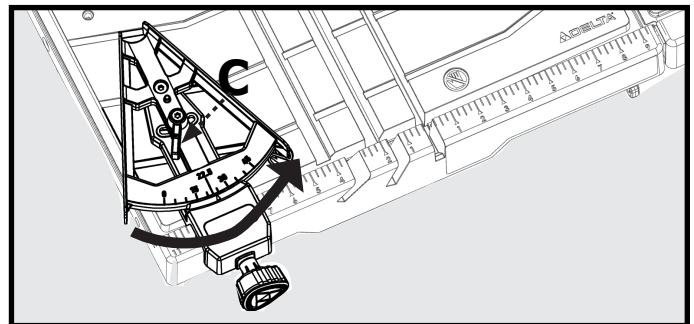


Figure 20

FONCTIONNEMENT

Coupe en biseau

La scie vous permet de faire des coupes en biseau à 45 degrés et 22,5 degrés.

MISE EN GARDE : Si vous utilisez la fonction de biseau, la scie doit être positionnée exactement à 45 ou 22,5 degrés comme indiqué sur l'indicateur de biseau. Assurez-vous que le pointeur correspond à la ligne sur l'échelle de biseau.

Pour faire une coupe en biseau :

1. Desserrez le verrou du biseau (12).
2. Inclinez la tête de la scie de sorte que le pointeur sur la tête de scie s'aligne avec le biseau voulu, comme indiqué sur l'indicateur de biseau (A).
3. Serrez le verrou du biseau.
4. Positionnez le carreau et appuyez dessus fermement avec les deux mains lors de la coupe.
5. Déplacez la table vers l'avant avec les deux mains pendant la coupe tout en maintenant le carreau fermement contre l'anti-recul de la table.
6. Ne forcez pas la pièce de travail et ne déplacez pas la table trop rapidement.

Coupe en plongée

1. Desserrez le bouton de verrouillage de la profondeur de coupe (11).
2. Relevez la tête de coupe à la position verticale complète.
3. Alignez le carreau sous la roue de coupe en déplaçant la table à la position désirée.
4. Tout en maintenant la table solidement en place, faites entrer la scie dans le matériau. Ne forcez pas la scie et ne la déplacez pas trop rapidement dans le matériau.

AJUSTEMENT DE LA PROFONDEUR DE COUPE

Vous pouvez ajuster la profondeur de coupe pour des matériaux d'épaisseurs variables, jusqu'à 3-1/4 po.

1. Desserrez l'écrou papillon de blocage en plastique (E) en tournant dans le sens antihoraire.
2. Tournez le bouton de verrouillage de profondeur de coupe (11) dans le sens antihoraire pour desserrer et soulever la tête de coupe jusqu'à la position supérieure.
3. Ajustez le bouton de réglage de hauteur (10) à la profondeur désirée en abaissant la tête de coupe afin de vérifier la profondeur en fonction des besoins.
4. Serrez l'écrou papillon de blocage en plastique (E) pour verrouiller le bouton de réglage de hauteur (10) en place.
5. Ne serrez pas la molette de réglage de la hauteur (10) lorsque la molette de verrouillage de la profondeur de coupe est serrée. Abaissez le porte-outil jusqu'à ce qu'il s'arrête et verrouillez le bouton de verrouillage de la profondeur de coupe (11) en place pour sécuriser le porte-outil pour les coupes transversales ou laissez le bouton (11) desserré pour les coupes en plongée.

REMARQUE : Si le bouton de verrouillage de la profondeur de coupe (11) est verrouillé, ne réglez pas le bouton de réglage de la hauteur (10) sous peine de l'endommager.

Vous pouvez régler la profondeur de plongée pour faire des coupes plongeantes répétées de la même profondeur dans plusieurs pièces.

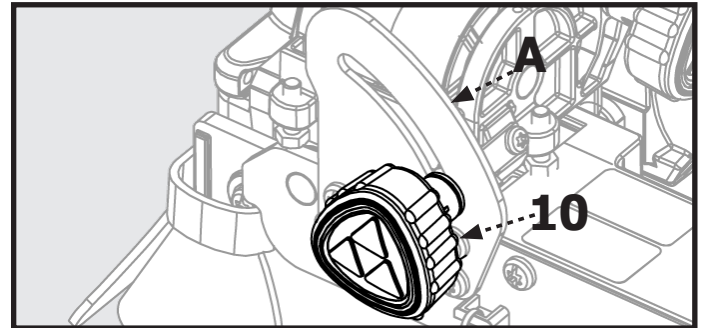


Figure 21

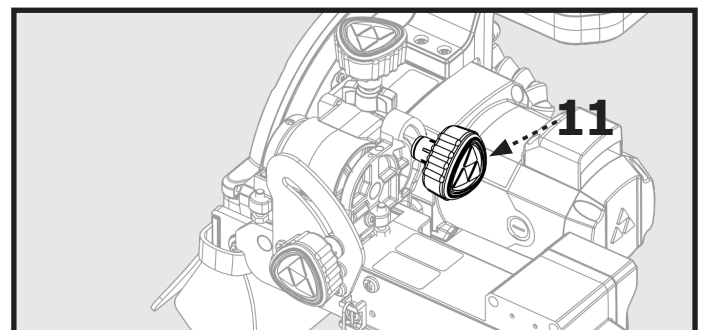


Figure 22

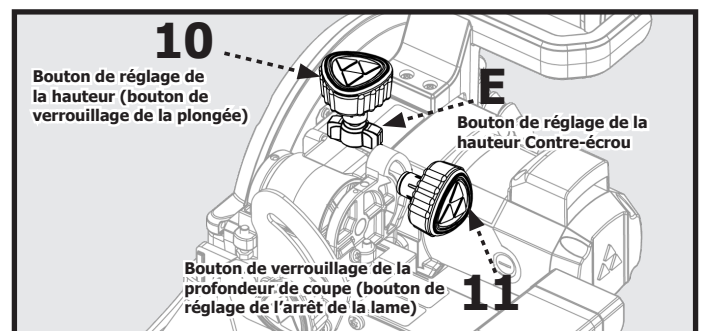


Figure 23

⚠ MISE EN GARDE : Si vous voulez faire des coupes en plongée répétées à la même profondeur de coupe, laissez le bouton de verrouillage de profondeur de coupe débloqué. Sinon, resserrez toujours le bouton de verrouillage de profondeur de coupe.

ENTRETIEN

⚠ AVERTISSEMENT Pour votre sécurité, éteignez l'interrupteur et débranchez la scie de la source d'alimentation avant d'effectuer tout nettoyage ou entretien. Si le cordon d'alimentation est endommagé quelque façon, remplacez-le immédiatement par un cordon approuvé. Lors du nettoyage de la scie, ne pas exposer le moteur à l'eau directe. Si un excès d'eau est introduit dans le moteur, une électrocution ou des dommages au moteur peuvent se produire.

Ne jamais tenter de réparer les composants internes du moteur électrique vous-même. Contactez un centre de service autorisé.

Ne jamais utiliser de l'eau ou d'autres liquides chimiques pour nettoyer les pièces électriques de la machine.

Utilisez un chiffon doux pour nettoyer la poussière et l'eau de la machine.

Gardez les fentes de ventilation du moteur propres pour éviter la surchauffe.

L'entretien périodique de votre scie permet une longue durée de vie et un fonctionnement sans problème. Les résidus de coupe que la scie génère pourraient être importants. Un calendrier de nettoyage, lubrification et entretien doit être suivi.

Comme bonne pratique d'entretien préventif après chaque utilisation, suivez ces étapes recommandées :

- Nettoyez la scie au complet avec de l'eau fraîche après chaque utilisation.
- Pompez de l'eau propre et fraîche pendant 1 minute par la pompe à eau et le protège-lame pour éviter l'accumulation de boue et de colmatage.
- Assurez-vous que les rails de guidage sont lubrifiés.
- Si la table ne coulisse pas facilement, lubrifiez la barre légèrement.
- Inspectez la roue de coupe diamantée pour son intégrité globale. Vérifiez les jantes pour de l'usure ou des dommages et remplacez la roue de coupe si nécessaire.

CHANGEMENT DE LA LAME

1. Desserrez le bouton de verrouillage du couvre-lame (A, fig. 21).
2. Ouvrez le couvre-lame (9)
3. Localisez la clé de lame fournie sur l'ensemble de bras de la scie (5b, 5).
4. Appuyez sur le blocage de broche de la lame (B, fig. 20) et utilisez la clé de lame (C, fig. 21) pour desserrer l'écrou de blocage de l'arbre (D, fig. 21)
5. Retirez l'écrou de blocage de l'arbre.
6. Retirez la lame.
7. Placez la nouvelle lame sur l'arbre de sorte que la flèche sur la lame pointe dans la même direction que la flèche sur le couvre-lame. (Voir figure 21)
8. Remplacez l'écrou de l'arbre et serrez tout en enfonçant le blocage de broche.
9. Fermez le couvre-lame et serrez le bouton de verrouillage du couvre-lame.

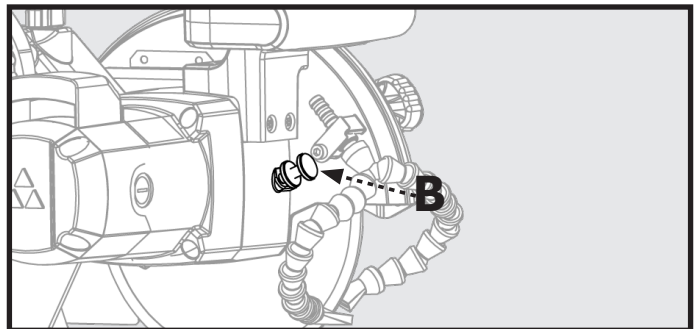


Figure 24

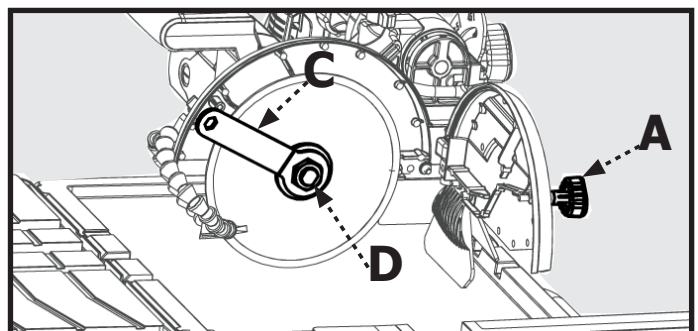


Figure 25

Vérification Du Biseau

1. Positionnez la table de travail (4) de sorte qu'elle soit sous la lame.
2. Desserrez le bouton de verrouillage du couvre-lame.
3. Ouvrez le couvre-lame (9).
4. Avec l'indicateur de biseau à 0 degré, utilisez une petite équerre pour assurer que la lame est perpendiculaire à la table.
5. Si la lame n'est pas perpendiculaire à la table coulissante, ajustez la vis de butée fixe (A) dans le sens que la lame doit se déplacer pour être perpendiculaire à la table. Utilisez une petite équerre pour vérifier que la lame est à l'équerre.
6. Répétez les étapes 4 et 5 avec l'indicateur de biseau réglé à 45 degrés et en utilisant la butée fixe à 45 degré (C)
7. Pour régler le pointeur (B) pour aligner à la marque 0° ou 45° sur l'échelle, desserrez la vis sur le pointeur et ajustez pour aligner à la bonne marque puis serrez la vis de nouveau.
8. Fermez le couvre-lame et verrouillez à nouveau

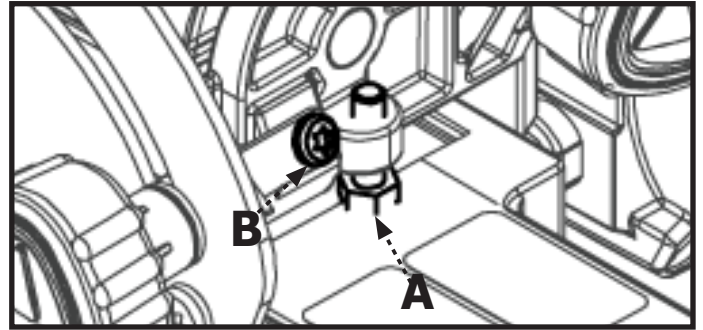


Figure 26

Nettoyage De La Pompe

Retirez la plaque avant et la roue et utilisez une petite brosse ou un filet d'eau pour nettoyer tout débris.

▲ MISE EN GARDE: L'arbre de la pompe ne peut pas être enlevé.

▲ AVERTISSEMENT Si l'eau de la pompe est réduite ou arrêtée, remplacez la pompe ou faites-la réparer par du personnel qualifié.

▲ AVERTISSEMENT Des poussières créées par le ponçage, sciage, meulage, perçage et autres opérations de construction contiennent des produits chimiques reconnus par l'État de la Californie pour causer le cancer, des malformations congénitales ou autres problèmes de reproduction.

Quelques exemples de ces produits chimiques :

- Plomb dans les peintures à base de plomb.
- Silice cristalline provenant de briques et ciment et autres produits de maçonnerie.
- Arsenic et chrome de bois traité chimiquement.

Votre risque à l'exposition de ces produits varie en fonction de la fréquence de ce type de travail. Pour réduire votre exposition à ces produits chimiques : travaillez dans un endroit bien aéré et utilisez des équipements de sécurité approuvés tels que masques de protection spécialement conçus pour filtrer les particules microscopiques.

Retirer La Buse D'Eau

Il peut être nécessaire d'enlever ou de remplacer la buse. Si c'est le cas, effectuez les étapes suivantes:

1. Utilisez la clé Allen (5b) pour desserrer la vis d'assemblage (C).
2. Retournez le bras de retenue (D) vers le haut et libérez l'ensemble de buse et tuyau.
3. Saisissez le tuyau et tirez la buse fermement pour débrancher la buse du tuyau.

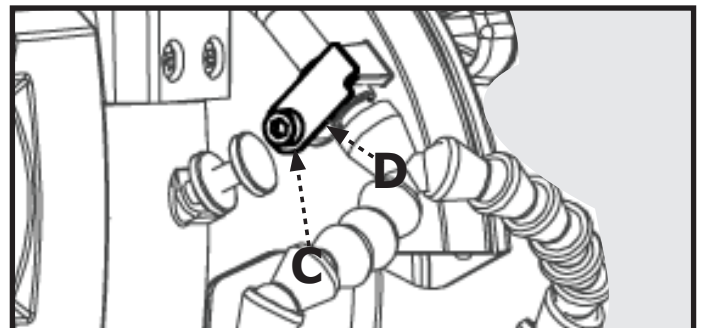
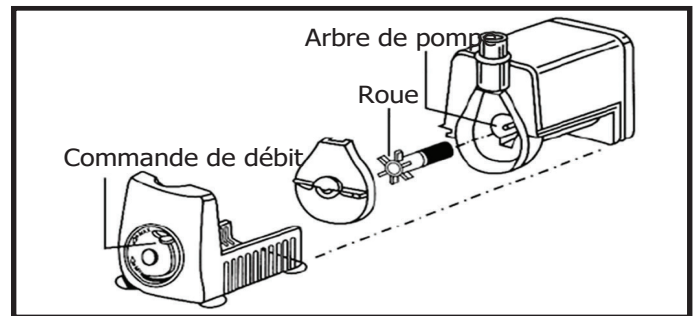


Figure 27

AJUSTMENTS

⚠ AVERTISSEMENT Avant d'effectuer des réglages, assurez-vous que l'outil est débranché de l'alimentation et que l'interrupteur est à la position ARRÊT. Le non-respect des consignes suivantes peut entraîner des blessures graves.

Cette scie a été ajustée à l'usine pour faire des coupes précises. Cependant, si votre scie à céramique nécessite un ajustement après avoir été déballée et montée ou en raison de l'usure de la machine, les étapes suivantes seront utilisées pour aligner la lame de scie.

REMARQUE : Ne commencez aucun ajustement tant que vous n'avez pas vérifié l'alignement avec une équerre et fait une coupe d'essai pour assurer que des ajustements sont nécessaires pour votre scie.

Pour Mettre La Roue De Coupe À L'équerre

Ne desserrez aucune vis pour cet ajustement tant que vous n'avez pas vérifié l'alignement avec une équerre et fait une coupe d'essai pour assurer que des ajustements sont nécessaires pour votre scie.

- Débranchez la scie.
- Utilisez la clé Allen fournie pour desserrer les boulons à six pans creux (A) sur le rail gauche.
- Placez une équerre contre le guide de la table de travail et le partie plate de la lame.
- Utilisez la clé Allen pour tourner la vis de réglage (B) pour ajuster. Déplacez le rail jusqu'à ce que le guide soit à l'équerre avec la lame. (Les vis de réglage (B) sont situées sur les extrémités extérieures du rail gauche).
- Serrez les vis à six pans creux de l'extrémité (A) pour verrouiller le rail. Serrez ensuite les boulons à six pans creux restants (A).

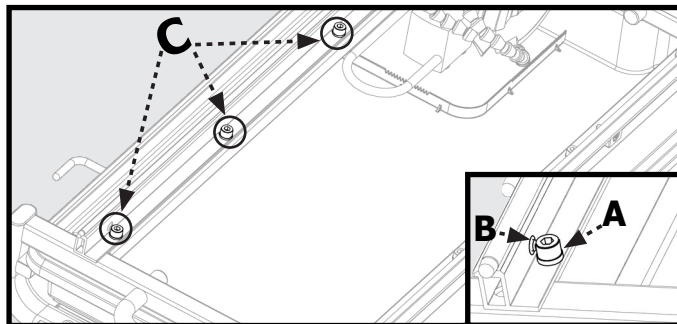


Figure 28

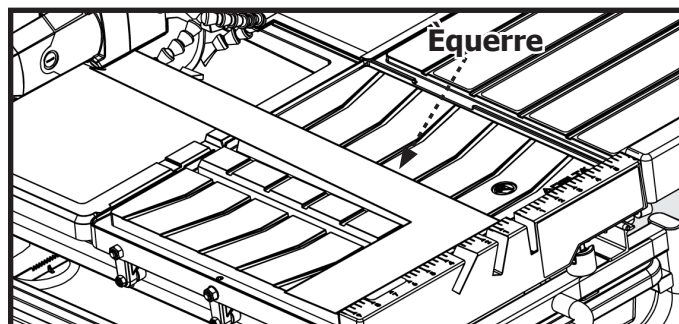


Figure 29

DÉPANNAGE

Pour votre sécurité, placez l'interrupteur à la position ARRÊT et débranchez la scie de la source d'alimentation avant d'effectuer les étapes de dépannage ci-dessous.

1. Le moteur est trop chaud :

- Éteignez le moteur et laissez-le refroidir à la température ambiante
- Vérifiez et nettoyez les ouvertures de ventilation
- Si les actions ci-dessus ne règlent pas le problème, appelez le centre de service au 1-800-223-7278.

2. Le moteur ne fonctionne pas :

- Vérifiez que toutes les connexions électriques sont bien branchées
- Testez et remplacez le disjoncteur de sécurité sur le défaut à la terre du cordon d'alimentation.
- Vérifiez que la source d'alimentation est de 120 V CA
- Si les actions ci-dessus ne règlent pas le problème, appelez le centre de service au 1-800-223-7278

3. La pompe ne pompe pas l'eau à la table :

- L'eau dans le plateau n'est pas assez profonde.
- Le tuyau d'eau est lâche ou n'est plus en place à la pompe.
- Le cordon électrique de la pompe n'est pas fermement inséré dans la prise murale.
- La mousse de filtre dans le boîtier de la pompe est sale ou bloquée.

4. Le mouvement du plateau coulissant n'est pas lisse:

- Les rails sont sales et ont une accumulation due à l'utilisation. Nettoyez les rails et galets de guidage.
- Lubrifiez-les ensuite avec un lubrifiant à vaporiser résistant à l'eau.

ACCESSOIRES

Pour les accessoires, veuillez visiter notre site Web pour un catalogue en ligne ou pour le nom de votre fournisseur le plus proche.

⚠ AVERTISSEMENT : Puisque les accessoires autres que ceux offerts par DELTA® n'ont pas été testés avec ce produit, l'utilisation de ces accessoires peut être dangereuse. Pour une utilisation sécuritaire, seulement les accessoires DELTA® recommandés doivent être utilisés avec ce produit.

ASSISTANCE POUR PIÈCES, SERVICE OU GARANTIE

Les machines et accessoires DELTA® sont fabriqués selon des normes de haute qualité et peuvent être réparés dans le réseau de centres de service autorisés. Pour obtenir des informations supplémentaires au sujet de votre produit ou pour obtenir des pièces, du service, l'assistance en vertu de la garantie ou l'emplacement du centre de service le plus proche, appelez au 1-800-223-7278.

Garantie limitée de une ans

1. CE QUI EST GARANTI. Delta Power Equipment Corporation (la « Société ») réparera ou remplacera, à son entière discrétion, ce produit qui a été acheté au détail aux États-Unis ou au Canada et qui, avec une utilisation normale, s'est avéré comporter des défauts de fabrication ou de matériau, sous réserve des conditions énoncées dans la présente garantie limitée. Cette garantie limitée couvre uniquement les matériaux et la main-d'œuvre. Tous les frais de transport sont la responsabilité du client.

2. PÉRIODE DE GARANTIE. Toutes les réclamations de garantie doivent être soumises dans les un ans suivant la date d'achat au détail. Pour toutes les pièces d'entretien et les produits remis à neuf en usine, la période de garantie est de 180 jours.

3. COMMENT FAIRE POUR OBTENIR LE SERVICE. Pour obtenir un service en vertu de la garantie, vous devez retourner le produit défectueux, ainsi qu'une preuve d'achat acceptable, telle que votre reçu original portant la date d'achat, ou le numéro d'enregistrement du produit, à vos frais et dans la période de garantie applicable, à un centre de service autorisé par la Société (un « centre de service autorisé ») pour que le personnel du centre effectue le service en vertu de la garantie. La Société réserve le droit de restreindre le service de réclamation en vertu de la garantie dans le pays où l'achat a été effectué et/ou de facturer le coût pour l'exportation de pièces de rechange ou pour fournir un service en vertu de la garantie dans un pays différent. À cette fin, les achats en ligne sont réputés être effectués aux États-Unis. Pour l'emplacement de votre centre de service autorisé le plus proche, appelez le service à la clientèle de la société au 1-800-223-7278.

4. EXCLUSIONS.

- La Société n'offre aucune garantie sur les produits achetés en état usagé ou endommagé.
- La Société ne garantit pas les produits achetés à l'extérieur des États-Unis ou du Canada.
- La société ne sera pas tenue responsable des dommages résultant de l'usure normale, d'une mauvaise utilisation, d'abus ou de réparations ou modifications apportées par un tiers autre qu'un centre de service agréé ou un représentant désigné par le service à la clientèle de la société.

TOUTES LES GARANTIES IMPLICITES sont expressément limitées à la période de garantie indiquée ci-dessus.

La société n'est pas responsable des dommages ACCESSOIRES OU IMMATÉRIELS.

Cette garantie limitée est la seule garantie de la Société et énonce le recours exclusif du client par rapport à des produits défectueux; toutes les autres garanties, expresses ou implicites, qu'il s'agisse de la qualité marchande, d'aptitude à l'usage ou autre, sont expressément rejetées par la Société, sauf mention expresse dans la présente déclaration de garantie.

Certains États n'autorisent pas l'exclusion ou la limitation des dommages accessoires ou immatériels, ni la limitation des garanties implicites, de sorte que les limitations ou exclusions ci-dessus peuvent ne pas s'appliquer à vous. Cette garantie vous donne des droits légaux spécifiques et vous pouvez avoir d'autres droits, qui varient d'un état ou province à l'autre. Pour plus de détails sur la couverture de garantie et de l'information sur les réparations sous garantie, composer le 1-800-223-7278.

AMÉRIQUE LATINE : Cette garantie ne couvre pas les produits vendus en Amérique latine. Pour les produits vendus en Amérique latine, appeler l'entreprise locale ou consulter le site Web pour obtenir des informations de garantie.

PIÈCES DE REMPLACEMENT

N'utiliser que des pièces de rechange identiques. Pour une liste de pièces ou pour commander des pièces, visitez notre site Web au www.deltamachineryparts.com. Vous pouvez également commander des pièces de votre centre de service de garantie autorisé le plus proche ou en appelant le directeur du service technique au 1-800-223-7278 pour recevoir un soutien personnalisé de l'un de nos représentants hautement qualifiés.

REEMPLACEMENT GRATUIT DES ÉTIQUETTES DE SÉCURITÉ

Si vos étiquettes d'avertissement deviennent illisibles ou sont manquantes, composez le 1-800-223-7278 pour un remplacement gratuit.

Entretien et réparations

Tous les outils de qualité nécessiteront éventuellement un entretien et/ou un remplacement des pièces. Pour plus d'informations sur Delta Power Equipment

Corporation et ses succursales ou pour localiser un centre de réparation autorisé, visitez notre site Web à

www.deltamachineryparts.com ou communiquez avec le service à la clientèle au 1-800-223-7278. Toutes les réparations effectuées par nos centres de service sont entièrement garanties contre les défauts de matériau et de fabrication. Nous ne pouvons garantir les réparations effectuées ou tentées par des tierces. En appelant ce numéro, vous pouvez également trouver des réponses aux plus fréquentes questions 24 heures par jour.

Pour plus d'informations, vous pouvez également nous écrire à Delta Power Equipment Corporation, 2651 New Cut Road, Spartanburg, SC 29303 –

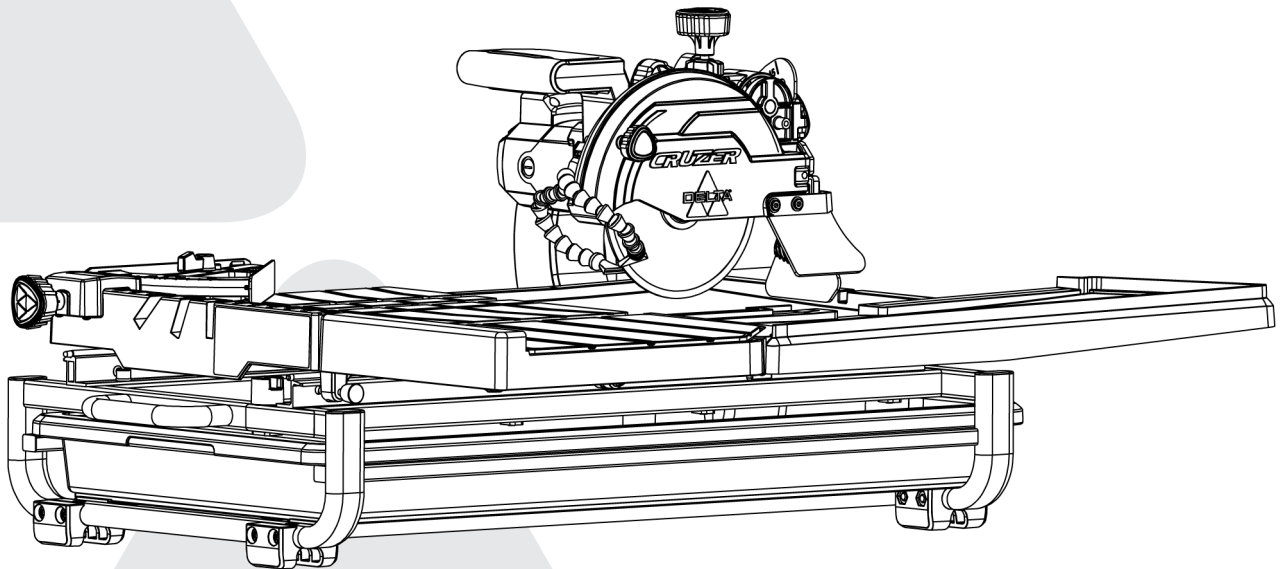
Au soin de : Directeur des services techniques. Veuillez à indiquer toutes les informations figurant sur la plaque signalétique de votre scie (numéro de modèle, type, numéro de série, code de date, etc.).

7-inch Wet Tile/Stone Saw

Scie à carrelage / pierre humide de 7 pouces

Azulejo húmedo de 7 pulgadas / sierra de piedra

DELTA[®]



Français (21)

Español (41)

www.DeltaMachinery.com

Instruction Manual

Manual d'utilisation

Manual de instrucciones

96-107

⚠ WARNING: To reduce the risk of serious injury, thoroughly read and comply with all warnings and instructions in this manual and on product
KEEP THIS MANUAL NEAR YOUR PRODUCT FOR EASY REFERENCE AND TO INSTRUCT OTHERS



ÍNDICE

ESPECIFICACIONES TÉCNICAS	42	Ajuste de la profundidad de corte.....	55
INSTRUCCIONES DE SEGURIDAD GENERALES ...	43	MANTENIMIENTO	56
Símbolos de seguridad	43	Cambio del disco.....	56
Seguridad en el área de trabajo	43	Comprobación del biseladi	57
Cables de extensión	43	Limpieza de la bomba.....	57
Instrucciones de conexión a tierra	44	AJUSTES	58
Seguridad personal	44	RESOLUCIÓN DE PROBLEMAS DE SU	
Seguridad de la herramienta	45	CORTADORA	59
Seguridad de servicio	45	GARANTÍA	60
INSTRUCCIONES DE SEGURIDAD ESPECÍFICAS		ASISTENCIA PARA PIEZAS, SERVICIOS Y	
DE LA CORTADORA DE BALDOSAS	45	GARANTÍA	60
CARACTERÍSTICAS DE LA CORTADORA	47	REPUESTOS	60
CÓMO DESEMPACAR LA CORTADORA	48		
Contenidos de envío.....	48		
Contenidos de tornillería	49	Français	21
MONTAJE	49	Espanol	41
Instalar la Bandeja de agua	49		
Acoplar el Conjunto del brazo de la cortadora	49		
Acoplar la Mesa de trabajo.....	50		
Acoplar las bandejas contra salpicaduras	50		
Instalar la extensión de la mesa.....	51		
Acoplar la Guía de inglete.....	51		
CÓMO MOVER Y ALMACENAR LA CORTADORA DE			
BALDOSAS	52		
FUNCIONAMIENTO	52		
Lubricación del disco	52		
Cómo apagar y encender la cortadora	53		
CÓMO REALIZAR LOS CORTES	54		
Corte en paralelo	54		
Corte en ángulo.....	55		
Corte en biselado.....	55		
Corte por penetración.....	55		

NOTICE: La couverture du guide d'utilisation illustre le modèle du produit actuel. Toutes les autres illustrations contenues dans le guide sont uniquement à titre indicatif et peuvent ne pas être des représentations exactes de l'étiquetage réel ou des accessoires inclus. Elles sont fournies à titre d'exemple seulement.

ESPECIFICACIONES TÉCNICAS

Suministro de potencia	120V, 60Hz
Capacidad del motor	13A
Velocidad sin carga	5.300 RPM
Tamaño de disco de corte de diamante	Diámetro de 7" X 5/8" (Orificio)
Profundidad de corte máxima a 0°	2-3/8"
Profundidad de corte máxima a 45°	1-1/4"
Rango de inclinación	0°, 22.5°, 45°
Máximo de corte	26"
Escuadra de baldosa máxima en diagonal	18"

CONSERVE ESTAS INSTRUCCIONES.

Refiérase a las mismas a menudo y utilícelas para instruir a otros.
Si presta la herramienta a otra persona, también préstele estas instrucciones.

INSTRUCCIONES DE SEGURIDAD GENERALES

⚠ ADVERTENCIA ASSUREZ-VOUS de lire et de comprendre toutes les directives de ce guide avant d'utiliser cette scie à pierre et à céramique humide. Le non-respect de toutes les directives peut entraîner une électrocution, un incendie ou des blessures graves. Certaines poussières créées par les outils électriques contiennent des produits chimiques reconnus par l'État de la Californie comme causant le cancer, des malformations congénitales ou autres problèmes de reproduction. La sécurité repose sur une combinaison d'éléments: faire preuve de bon sens, demeurer vigilant et savoir comment votre scie fonctionne. Lisez ce manuel pour comprendre le fonctionnement de cette scie et la façon de l'utiliser en toute sécurité.

SYMBOLES DE SÉCURITÉ

Le but des symboles de sécurité est d'attirer votre attention sur des dangers potentiels. Les symboles de sécurité et les explications qui les accompagnent doivent être pris en considération. Les avertissements de sécurité n'éliminent PAS les dangers par eux-mêmes. Il n'y a pas de substitut pour des mesures adéquates de prévention des accidents.

⚠ PELIGRO Quelqu'un sera gravement blessé ou tué si les consignes de sécurité ne sont pas respectées.

⚠ ADVERTENCIA Quelqu'un pourrait être gravement blessé ou tué si les consignes de sécurité ne sont pas respectées.

⚠ PRECAUSIÓN Des blessures modérées ou importantes pourraient survenir si les consignes de sécurité de ce guide ne sont pas respectées.

AVISO Utilisé sans le symbole d'alerte de sécurité, il indique une situation potentiellement dangereuse qui, si elle n'est pas évitée, peut entraîner des dommages matériels.

Se encuentra disponible información adicional sobre el funcionamiento seguro y correcto de esta herramienta a través de las siguientes fuentes de información:

- Power Tool Institute (Instituto de Herramientas Eléctricas), 1300 Sumner Avenue, Cleveland, OH 44115-2851 o en línea en www.powertoolinstitute.com
- National Safety Council (Concejo de Seguridad Nacional), 1121 Spring Lake Drive, Itasca, IL 60143-3201
- American National Standards Institute (Instituto Nacional Estadounidense de Estándares), 25 West 43rd Street, 4to piso, Nueva York, NY 10036 www.ansi.org - ANSI 01.1 Safety Requirements for Woodworking Machines (Requisitos de seguridad para máquinas de carpintería)
- Regulaciones del Department of Labor (Departamento de Trabajo) de EE. UU.: www.osha.gov

MENSAJES PARA LA PREVENCIÓN DE DAÑO Y DE INFORMACIÓN

Los presentes le informan al usuario acerca de información importante y/o instrucciones que llevan al daño del equipo u otra propiedad si no se las sigue. Cada mensaje está precedido por la palabra "NOTA", como en el ejemplo debajo: NOTA: Si estas instrucciones no se siguen podría ocurrir daño al equipo y/o a la propiedad.

SEGURIDAD DEL ÁREA DE TRABAJO

• MANTENGA EL ÁREA DE TRABAJO LIMPIA Y BIEN

ILUMINADA. Los bancos de trabajo desordenados y las áreas oscuras invitan a que ocurran accidentes.

• **NO USAR EN UN ENTORNO PELIGROSO.** No utilice las herramientas eléctricas en lugares con humedad o agua y no las exponga a la lluvia. No opere las herramientas eléctricas en entornos potencialmente explosivos, como en la presencia de líquidos, gases o polvos inflamables. Las herramientas eléctricas crean chispas, que pueden encender el polvo o los vapores.

• **OPERE LA HERRAMIENTA EN ÁREAS BIEN VENTILADAS,** y realice una remoción del polvo adecuada. El polvo generado por algunos materiales puede ser peligroso para su salud. Utilice sistemas de recolección de polvo siempre que sea posible.

• **MANTENGA A LOS NIÑOS Y ESPECTADORES ALEJADOS.** Todos los visitantes deberán mantenerse a una distancia segura del área de trabajo.

• UTILICE LA HERRAMIENTA CORRECTA.

No fuerce una herramienta o acople para realizar un trabajo para el cual no fue diseñado.

• HAGA QUE LA CORTADORA DE BALDOSAS SEA A PRUEBA DE NIÑOS Y A PRUEBA DE MANIPULACIONES

Utilice candados, interruptores generales, o bloquéelas removiendo los interruptores de arranque.

SEGURIDAD ELÉCTRICA Para reducir el riesgo de electrocución, mantenga todas las conexiones secas y alejadas del suelo. No toque el enchufe con las manos húmedas.

• **TENSIÓN:** Antes de enchufar la herramienta, asegúrese de que la tensión del tomacorriente esté dentro de la tensión marcada en la placa de datos de la herramienta.

• NO UTILICE HERRAMIENTAS CLASIFICADAS PARA "SOLAMENTE CA" CON UN SUMINISTRO DE POTENCIA DE CC.

• NO EXPONGA LAS HERRAMIENTAS ELÉCTRICAS A LA LLUVIA O CONDICIONES HÚMEDAS.

El agua que ingresa a la herramienta de potencia aumentará el riesgo de descarga eléctrica. Si no pudiese evitarse la operación de la herramienta eléctrica en ubicaciones húmedas, siempre utilice un Interruptor de circuito de falla a tierra que funcione y haya sido verificado para suministrar potencia a la herramienta. Siempre use calzado aislado en condiciones húmedas.

• **NO MALTRATE EL CABLE.** Jamás use el cable para transportar las herramientas o tire del enchufe de un tomacorriente. Mantenga el cable alejado del calor, aceite, bordes filosos o partes móviles. Reemplace los cables dañados de inmediato. Los cables dañados aumentan el riesgo de descargas eléctricas.

• **UTILICE UN CIRCUITO A TIERRA.** Utilice receptáculos y cables de extensión de tres hilos únicamente que tengan tres clavijas a tierra y receptáculos tripolares para el cable de tres clavijas de la herramienta.

• UTILICE EL CABLE DE EXTENSIÓN DE MODO ADECUADO. SEGURIDAD DEL CABLE DE EXTENSIÓN

• Utilice únicamente cables de extensión que sean para usos externos. Estos cables de extensión están marcados "W-A" o "W" y son identificados con la marca "Adecuado para su uso en aparatos externos, almacenar en interiores cuando no esté en uso".

• Utilice solamente cables de extensión que tengan una calificación eléctrica igual o mayor que el de la calificación del producto. No utilice cables de extensión dañados. Examine el cable de extensión antes de su uso, y reemplácelo si está dañado. No maltrate los cables de extensión, y no de un tirón a un cable para desconectarlo. Mantenga el cable alejado del calor y bordes filosos. Siempre desconecte el cable de extensión del receptáculo antes de desconectar el producto del cable de extensión.

• Asegúrese de que su cable de extensión esté en buenas condiciones.

NORMAS DE SEGURIDAD GENERALES

⚠ AVERTISSEMENT Lea todas las advertencias de seguridad, instrucciones, ilustraciones y especificaciones suministradas con esta herramienta motorizada. No seguir todas las instrucciones detalladas a continuación podría provocar descargas eléctricas, incendios y/o lesiones graves.

Guarde todas las advertencias e instrucciones para consulta futura.

TABLA 1

Amperaje	Voltios	Longitud total del cable en pies			
		25 pies	50 pies	100 pies	150 pies
0~6	120V~	Medida AWG			
		18	16	14	12
		18	16	14	12
		16	16	14	12
12~16		14	12	no recomendado	

INSTRUCCIONES DE PUESTA A TIERRA

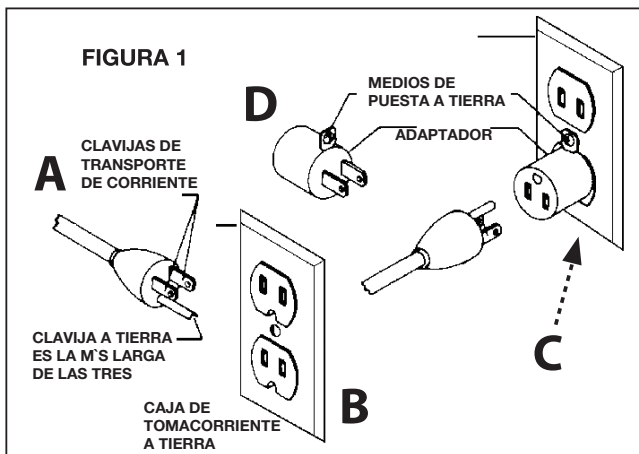
- En el caso de una falla en el funcionamiento o rotura, la puesta a tierra proporciona una ruta de menor resistencia para la corriente eléctrica para reducir el riesgo de descarga eléctrica. Esta herramienta tiene un cable eléctrico con un conductor de puesta a tierra para el equipo y enchufe a tierra. El enchufe debe enchufarse en un tomacorriente correspondiente que esté adecuadamente instalado y puesto a tierra de acuerdo con todos los códigos y ordenanzas locales.
- No modifique el enchufe provisto con esta herramienta. Si no entra en el tomacorriente, haga que un electricista cualificado instale un tomacorriente a tierra.
- La conexión inadecuada del conductor del equipo a tierra puede resultar en una descarga eléctrica. El cable cubierto con la aislación verde es el conductor a tierra del equipo. Si fuese necesaria la reparación o reemplazo del cable eléctrico o del enchufe, no conecte el cable verde a un terminal energizado.
- Verifique con un electricista o personal de servicio cualificado si no entiende por completo las instrucciones de puesta a tierra, o si existe una pregunta con respecto a sobre si el tomacorriente o la herramienta están correctamente puestas a tierra. Utilice cables de extensión de tres hilos únicamente que tengan tres clavijas a tierra y receptáculos tripolares para aceptar el cable de la herramienta.
- Repare o reemplace un cable dañado o gastado de inmediato.
- Esta herramienta tiene por objetivo su uso en un circuito con un tomacorriente a tierra (B, Fig. 1). La herramienta tiene un enchufe a tierra (A, Fig. 1).

- Puede usarse un adaptador temporario (D, Fig. 1) para conectar este enchufe a un receptáculo bipolar (C, Fig. 1), si un tomacorriente adecuadamente puesto a tierra no estuviese disponible. La pestaña de color verde que se extiende desde el adaptador debe conectarse a tierra de forma permanente, como una caja de tomacorriente adecuadamente puesta a tierra. El adaptador temporal deberá usarse solamente hasta que un electricista cualificado puede instalar un tomacorriente correctamente puesto a tierra.
- Deberá proporcionarse protección del interruptor de circuito de falla a tierra (GFCI) en el circuito o tomacorriente a ser usado con la cortadora de baldosas. Los receptáculos también están disponibles con una protección de circuito de falla a tierra (GFCI) y pueden usarse para esta medida de seguridad.

SEGURIDAD PERSONAL

⚠ ADVERTENCIA El funcionamiento de cualquier herramienta eléctrica puede resultar en el lanzamiento de objetos extraños a los ojos, lo que puede resultar en daño grave a los ojos. Antes de comenzar el funcionamiento de la herramienta eléctrica, siempre use gafas de seguridad con protección lateral, y protección para todo el rostro cuando sea necesario. Recomendamos la Máscara de seguridad de visión amplia para su uso sobre las gafas o anteojos de seguridad estándar con protecciones. Siempre utilice protección ocular, que está marcada para cumplir con ANSI Z87.1

- **MANTÉNGASE ALERTA, OBSERVE LO QUE ESTÁ HACIENDO, y USE EL SENTIDO COMÚN** cuando use la herramienta eléctrica.
- **NO** utilice la herramienta mientras esté cansado o bajo la influencia de drogas, alcohol o medicación.
- **USE ROPA ADECUADA.** No utilice ropa suelta, guantes, corbatas, anillos, pulseras, u otra bijoutería.
- Luzca su cabello hacia atrás y atado. Se recomienda el uso de calzado anti-deslizante.
- **MANTENGA SU CABELLO, ROPA Y MANOS ALEJADOS DE LAS PIEZAS EN MOVIMIENTO.**
- **RETIRE LAS LLAVES DE AJUSTE O INGLESAS.** Tenga como hábito verificar que se hayan retirado las llaves de ajuste e inglesas de la herramienta antes de encenderla.
- **SIEMPRE USE GAFAS DE SEGURIDAD.** Los anteojos de uso diario pueden tener lentes resistentes al impacto, pero **NO** son anteojos de seguridad.
- **UTILICE UNA MÁSCARA PARA POLVO O FACIAL,** si la operación produce polvo.
- **UTILICE PROTECCIÓN AUDITIVA** para ayudar a prevenir la pérdida de audición.
- **JAMÁS TOQUE LAS CLAVIJAS DEL ENCHUFE ELÉCTRICO** mientras lo inserta o remueve del tomacorriente eléctrico.
- **NUNCA SE PARE SOBRE LA HERRAMIENTA.** Pueden ocurrir lesiones graves si la herramienta se inclina, o si se entran en contacto sin intención con la herramienta de corte.



NORMAS DE SEGURIDAD GENERALES

SEGURIDAD DE LA HERRAMIENTA

- **MANTENGA TODAS LAS PROTECCIONES EN SU LUGAR** y en buen estado de funcionamiento.
- **EVITE QUE ARRANQUE ACCIDENTALMENTE.** Asegúrese de que el interruptor esté en la posición "OFF (Apagado)" antes de enchufar la herramienta en el tomacorriente eléctrico.
- **NO LLEVE LAS HERRAMIENTAS CON SU DEDO EN EL INTERRUPTOR.**
- **NO SE ESTIRE PARA ALCANZARLA.** Mantenga los pies bien colocados y el equilibrio en todo momento.
- **NO FUERCE EL CABLE.** Utilice la herramienta y el disco de corte correcto para su aplicación. La herramienta y el disco de corte correctos harán el trabajo mejor y de modo más seguro cuando se usan en la medida para la cual fueron diseñados.
- **NO USE LA HERRAMIENTA SI EL INTERRUPTOR NO SE "ENCIENDE (ON)" O "APAGA (OFF)".** Cualquier herramienta que no pueda controlarse con el interruptor es peligrosa y debe repararse.
- **DESCONECTE LA HERRAMIENTA** antes de su reparación, cuando cambie accesorios (como los discos de corte), o almacene la herramienta.
- **ALMACENE LAS HERRAMIENTAS QUE NO SE USAN FUERA DEL ALCANCE DE LOS NIÑOS** y de otras personas no capacitadas para usarlas.
- **JAMÁS DEJE SOLA LA HERRAMIENTA EN FUNCIONAMIENTO; APAGUE EL SUMINISTRO DE POTENCIA.** No deje la herramienta sola hasta que se detenga por completo.
- **SIEMPRE CUIDE LAS HERRAMIENTAS.** Mantenga las herramientas de corte afiladas y limpias.

- **COMPRUEBE QUE NO EXISTAN PIEZAS DAÑADAS.**

Antes de usar la herramienta, deberá comprobarse con cuidado si las protecciones u otras piezas están dañadas para determinar que funcione adecuadamente y sirva para la función prevista. Verifique la alineación de las piezas en movimiento, la capacidad de unión de las partes móviles, el montaje y cualquier otra condición que pueda afectar su funcionamiento. Se deberá reparar o reemplazar toda protección, disco de corte u otra pieza dañada.

- **USE LOS ACCESORIOS RECOMENDADOS.** Consulte el manual del producto por información sobre los accesorios recomendados. El uso de accesorios inadecuados puede aumentar el riesgo de lesiones personales.

SEGURIDAD DE SERVICIO

- Si cualquier parte de esta cortadora de baldosas/piedra en húmedo faltase o se rompiera, doblase o fallase de alguna forma; o de funcionar cualquier componente eléctrico de una forma inadecuada: SIEMPRE apague el interruptor de encendido y retire el enchufe del suministro de potencia, y haga que se reemplace la parte que falta, está dañada o no funciona antes de reiniciar el funcionamiento.
- Cuando repare una herramienta, SIEMPRE utilice piezas de reemplazo idénticas. Siga las instrucciones en la Sección Mantenimiento de este manual. El uso de piezas no autorizadas o no seguir las instrucciones de Mantenimiento puede crear un riesgo de descarga eléctrica o lesión.

INSTRUCCIONES DE SEGURIDAD ESPECÍFICAS PARA LA CORTADORA DE BALDOSAS/PIEDRAS EN HÚMEDO

⚠ ADVERTENCIA ASEGÚRESE de leer y entender todas las instrucciones en este manual antes de usar la Cortadora de baldosas/piedras en húmedo. No seguir todas las instrucciones puede resultar en una descarga eléctrica, incendio y/o lesión personal grave.

⚠ ADVERTENCIA Para reducir el riesgo de errores que puedan causar lesiones graves, permanentes, no enchufe la cortadora de baldosas a un receptáculo eléctrico hasta que se hayan completado los siguientes pasos de modo satisfactorio:

- Ensamble la cortadora por completo (Consulte la sección "Montaje").
- Aprenda el uso y función del interruptor de ENCENDIDO-APAGADO (ON-OFF), la protección del disco de corte, el protector de sobrecarga, el cierre de eje, el botón de ajuste de detención de profundidad, el botón de ajuste de corte biselado, la guía universal, etc. (Consulte la sección "Conociendo su cortadora de baldosas").
- Revise y entienda todas las instrucciones de seguridad y procedimientos de funcionamiento en este manual.
- Revise los métodos de mantenimiento para esta cortadora (Consulte la sección "Cómo mantener su cortadora").
- Jamás coloque sus dedos o manos en el camino del disco de corte de la cortadora o de otra herramienta de corte.

- Jamás alcance algo por detrás de la herramienta de corte con su mano por ningún motivo. No alcance objetos detrás del disco de corte para mantener en posición la pieza de trabajo, sostener la pieza de trabajo, remover desechos, o por cualquier otro motivo.
- Jamás use una posición de manos donde un resbalón repentino pueda causar que los dedos o la mano queden atrapados en el disco de corte de la cortadora.
- Encuentre y lea todas las etiquetas de advertencia que se hallan en la herramienta.

Las etiquetas en su herramienta pueden incluir los siguientes símbolos.

- V** – Voltios
- A** – Amperios
- Hz** – Hercios
- W** – Vatios
- min** – Minutos
- ~** – Corriente alterna
- n_o** – Velocidad sin carga
- RPM** – Revoluciones o carreras por minuto
- ⚠** – Indica peligro, advertencia o precaución.
Indica ¡atención! Involucra a su seguridad.

continúa en la página 44

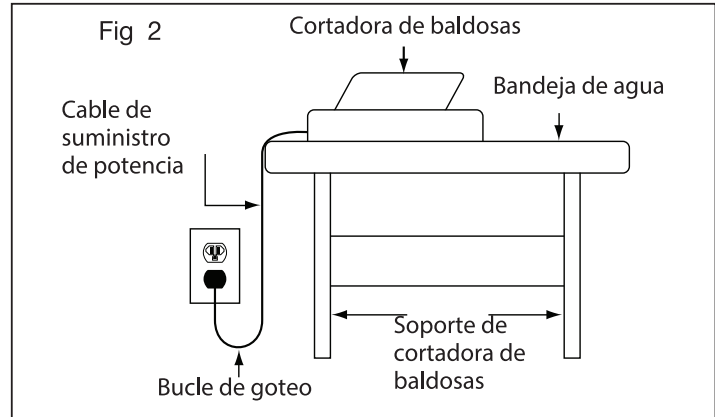
INSTRUCCIONES DE SEGURIDAD ESPECÍFICAS PARA LA CORTADORA DE BALDOSAS/PIEDRAS EN HÚMEDO

Permitir que el polvo ingrese a su boca o a sus ojos o que se deposite en la piel promueve la absorción de químicos dañinos.

El uso de accesorios que no están recomendados para el uso con esta herramienta puede crear condiciones peligrosas.

El uso de accesorios que no están recomendados para el uso con esta herramienta puede crear condiciones peligrosas.

- **DIRECCIÓN DE ALIMENTACIÓN:** Siempre alimente el trabajo en el Disco de corte en contra de la dirección de giro del Disco de corte.
- **PERMITA QUE EL DISCO LLEGUE A DETENERSE POR COMPLETO** antes de remover el material atascado o recortado de alrededor del área del disco de corte.
- **POSICIÓN DE LA CORTADORA DE BALDOSAS:** Para evitar la posibilidad de que se humedezca el enchufe del aparato o el receptáculo, coloque la cortadora de baldosas a un lado del receptáculo de montaje en pared. El usuario deberá colocar un "bucle de goteo" en el cable que conecta la cortadora a un receptáculo. (Fig. 2)



El "bucle de goteo" es una sección del cable que cuelga debajo del nivel del receptáculo o debajo del conector, si se utiliza el cable de extensión, para evitar que el agua que se desplaza a través del cable entre en contacto con el receptáculo.

Si el enchufe o el receptáculo se humedecen, NO desenchufe el cable. Desconecte el fusible o disyuntor que suministra potencia a la herramienta. Luego, desenchufe la herramienta y examine el receptáculo en búsqueda de agua. No use el receptáculo hasta que esté completamente seco.

PROPOSITION 65 DE LA CALIFORNIE

⚠ ADVERTENCIA Este producto y parte del polvo creado por la lijadora, sierra, esmeriladora, perforadora, y otras actividades de construcción eléctricas pueden contener químicos, inclusive plomo, que se sabe (en el Estado de California) producen cáncer, defectos de nacimiento, u otro daño reproductivo. Lave sus manos después de la manipulación.

Algunos ejemplos de estos químicos son:

- Plomo de pinturas a base de plomo
- Sílice cristalina de los ladrillos y cemento y otros productos de albañilería
- Arsénico y cromo de madera con tratamiento químico

Su riesgo al exponerse a estos químicos varía, dependiendo de la frecuencia con la que realice este tipo de trabajo. Para reducir su exposición, trabaje en un área bien ventilada y con el equipo de seguridad aprobado, como máscaras para el polvo que estén especialmente diseñadas para filtrar partículas microscópicas. Evite el contacto prolongado con el polvo proveniente del lijado, corte, esmerilado, perforación y de otras actividades de construcción. Use vestimentas protectoras y lave las áreas expuestas con agua y jabón.

CONSERVE ESTAS INSTRUCCIONES.

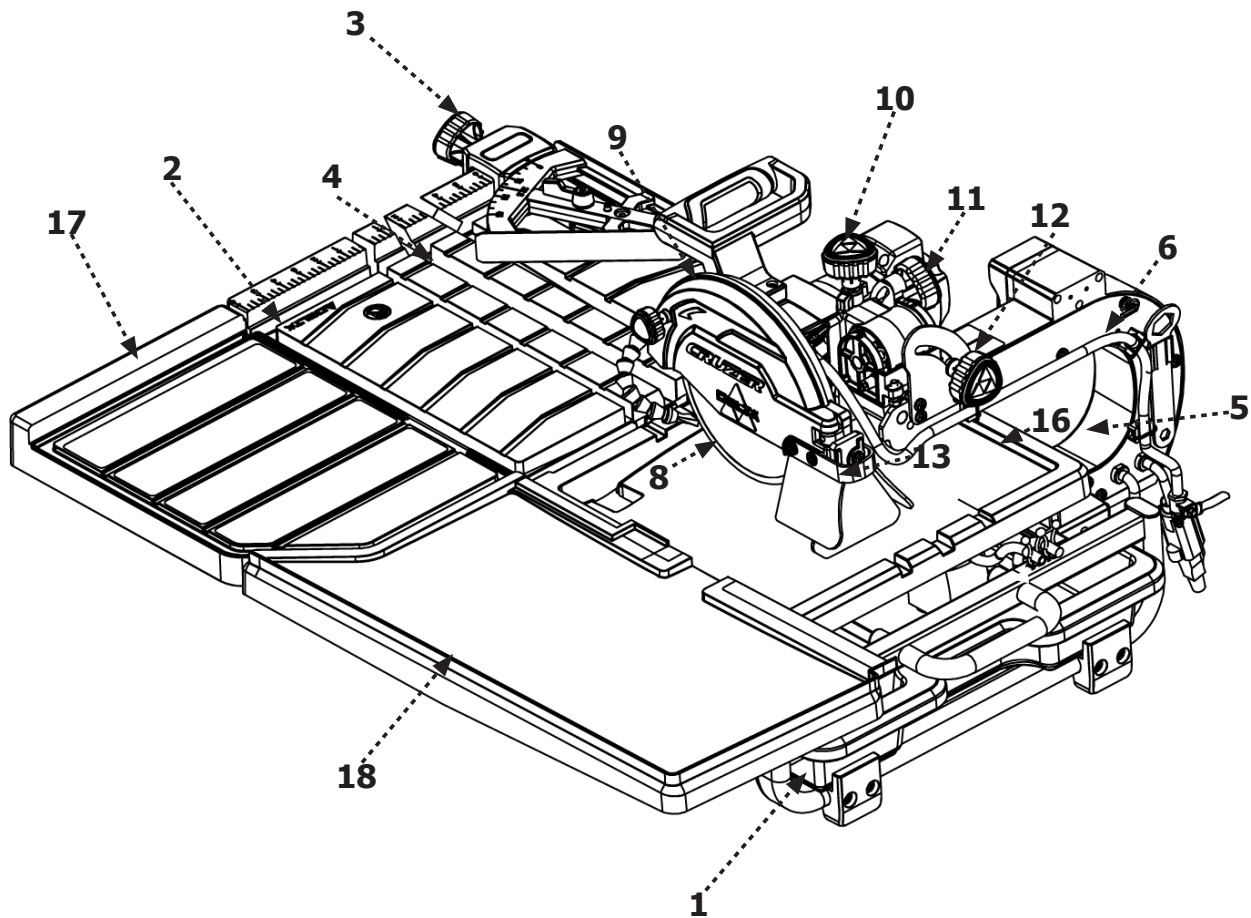
Refiérase a las mismas a menudo y utilícelas para instruir a otros.

Si presta la herramienta a otra persona, también préstele estas instrucciones.

CARACTERÍSTICAS DE LA CORTADORA

Los nombres y los números de las piezas corresponden a los usados en las secciones de Montaje, Operaciones y Mantenimiento en este manual.

1. Bandeja de agua
2. Riel delantero, marco principal
3. Guía de inglete
4. Mesa de trabajo
5. Conjunto de motor/brazo
6. Manguera de agua
7. Bomba sumergible (no está en la imagen)
8. Disco de diamante
9. Protección del disco
10. Botón de bloqueo de penetración
11. Botón de ajuste de detención de disco
12. Botón de bloqueo de biselado
13. Protección contra salpicaduras
14. Interruptor de encendido/apagado (no está en la imagen)
15. Botón de drenaje (no está en la imagen)
16. Bandeja superior de salpicaduras
17. Extensión de mesa
18. Lado Bandeja contra salpicaduras



⚠ ADVERTENCIA El uso de cualquier accesorio o acople o el desempeño de cualquier operación con esta herramienta que no sean los recomendados en este manual de instrucciones puede implicar una lesión personal debido a un riesgo.

CÓMO DESEMPACAR

⚠ ADVERTENCIA Antes del montaje y uso de la herramienta, lea este manual detenidamente para familiarizarse con el montaje adecuado, los procedimientos de mantenimiento y seguridad.

Revise el cartón de envío y la máquina en búsqueda de daño antes del desempaque. Remueva cuidadosamente los componentes en la capa de espuma superior. Retire la capa de espuma superior y luego retire todos los componentes en la capa de espuma inferior. Coloque todas las piezas en un cartón o en otra superficie plana, limpia. Siempre verifique y retire los materiales de envío protectores alrededor de los motores y piezas móviles. No descarte el cartón de envío y los materiales de empaque hasta que haya inspeccionado los contenidos cuidadosamente, ensamblado la máquina y esté satisfecho con la forma en que funciona.

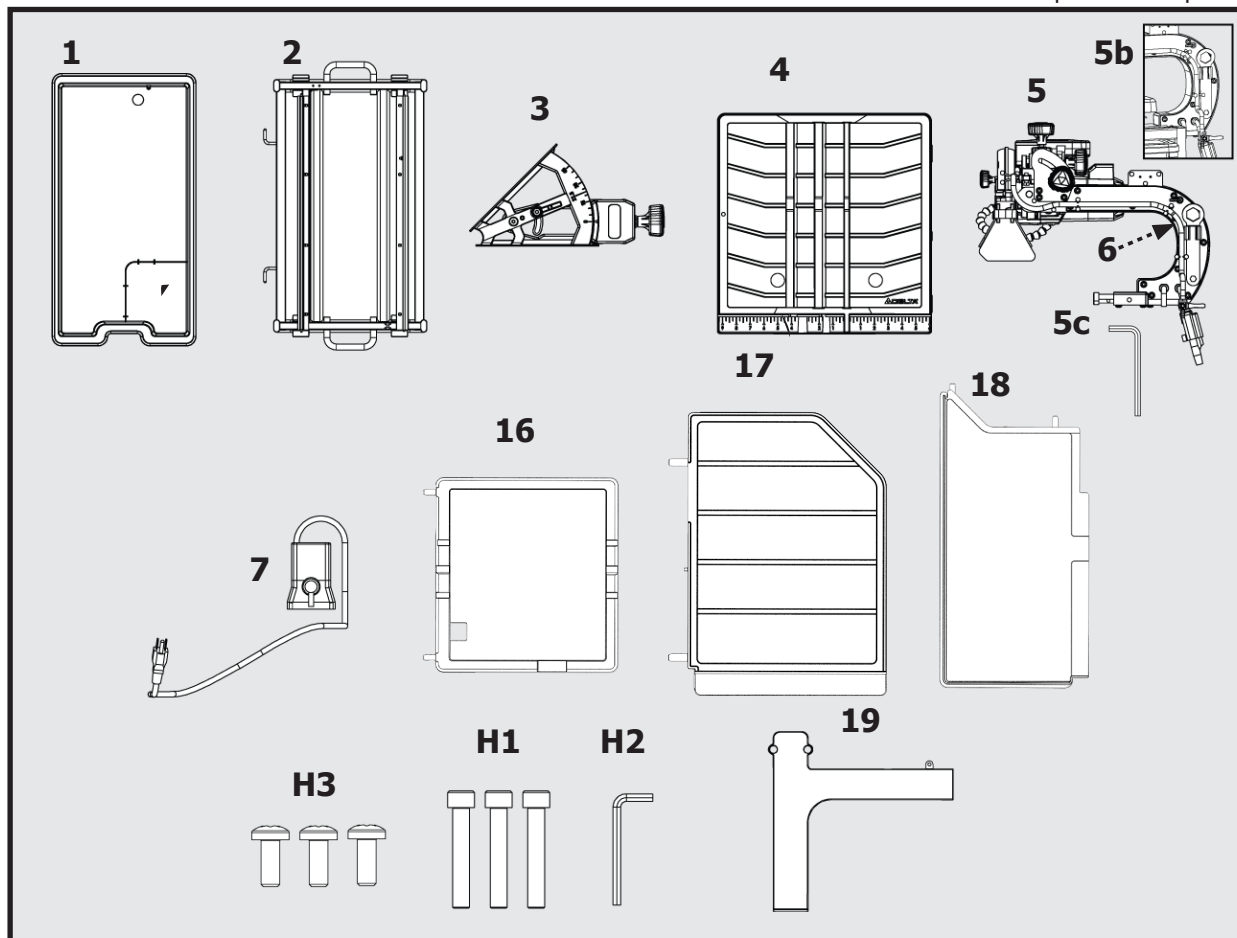
Compare los contenidos del empaque con la Lista de piezas del componente y la Lista de empaque de tornillería antes del ensamblaje para asegurarse se encuentren todos los elementos. Inspeccione las piezas con cuidado para asegurarse de que no haya ocurrido daño durante el envío. Si falta cualquier parte, o estuviese dañada o pre-ensamblada, no ensamble el equipo. En vez, llame al Centro de servicio para obtener asistencia. Retire cualquier material y revestimiento protector de todas las piezas y de la cortadora de baldosas. Las cubiertas protectoras pueden removerse rociándolas con WD-40® y secándolas con un paño suave. Puede ser necesario hacer esto varias veces antes de que todas las cubiertas protectoras se hayan removido por completo.

Contenidos Del Envío

Los nombres y los números de las piezas corresponden a los usados en las secciones de Montaje, Operaciones y Mantenimiento en este manual.

Descripción (Cant.)

- | | | | |
|-----|---------------------------------|-----|--|
| 1. | Bandeja de agua (1) | 7. | Bomba (1) |
| 2. | Marco principal (1) | 16. | Lado Bandeja contra salpicaduras (1) |
| 3. | Inglete (1) | 17. | Botón de bloqueo de biselado (1) |
| 4. | Mesa de trabajo (1) | 18. | Bandeja superior de salpicaduras(1) |
| 5. | Conjunto de brazo de sierra (1) | 19. | Bandeja Guiada (1) |
| 5b. | Llave para el disco (1) | H1. | Tornillos de cabeza hexagonal M10 X 60 (3) |
| 5c. | Llave Allen de 4 mm (1) | H2. | Llave Allen de 8mm (1) |
| 6. | Manguera (1) | H3. | Tornillo autorroscante de plástico Philips M4 x 10 (3) |



INSERTE LA BANDEJA DE AGUA

⚠ ADVERTENCIA Asegúrese de que la sierra esté en una superficie nivelada y estable.

Inserte la bandeja de agua (1) deslizándola en la unidad central (2) como se muestra en la Figura 5.

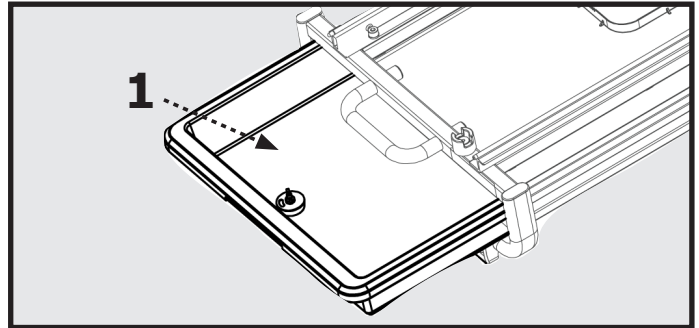


Figura 5

ACOPLE DEL CONJUNTO DEL BRAZO DE LA CORTADORA

1. Conecte el conjunto del brazo de sierra al marco principal alineando primero las clavijas (C) en el conjunto del brazo de sierra a los orificios del marco principal como se muestra en la Figura 6.
2. Sujete el conjunto del brazo de sierra utilizando los tres tornillos de cabeza hexagonal M10 X 60 (H1) y la llave Allen de 8 mm (H2) como se muestra en la Figura 7.

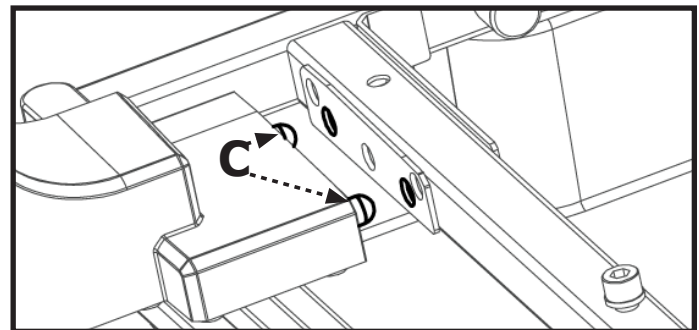


Figura 6

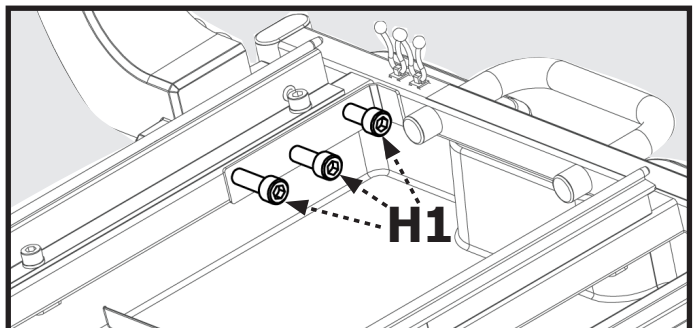


Figura 7

MONTAGE

ACOPLE DE LA MESA DE TRABAJO

1. Verifique para asegurarse de que el bloqueo de la mesa ranurada esté aflojado en la posición abierta, como se muestra en la Figura 8, de modo que la ranura esté paralela a la dirección de movimiento de la mesa.
2. Coloque la mesa de trabajo (4) de modo que los cojinetes izquierdos se alineen como se muestra en la Figura 8. Los rodillos más grandes (B) deben guiarse en la parte superior de los rieles, así como los rodillos más pequeños (C) deben guiarse debajo de los rieles.

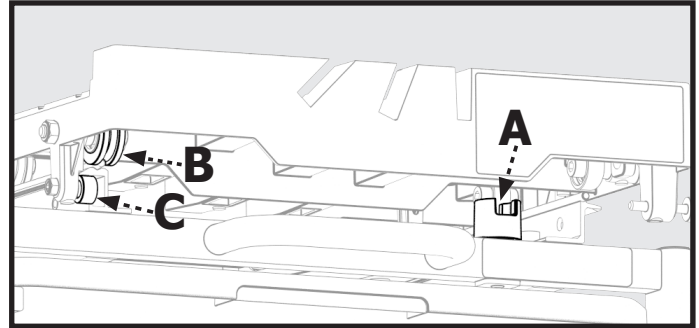


Figura 8

3. Afloje el perno para el tope de mesa (C) con la llave Allen de 4 mm (5c). Para evitar la extracción de la mesa, gire el tope de la mesa 90 grados como se muestra en la Figura 9b y apriete. Para quitar la mesa, el perno deberá aflojarse y el tope de la mesa girará 90 grados hacia atrás hasta la posición que se muestra en la Figura 9a.
4. Para bloquear la mesa en su lugar, active el bloqueo de la mesa (D) en el riel en la ubicación que se muestra en la Figura 9a.

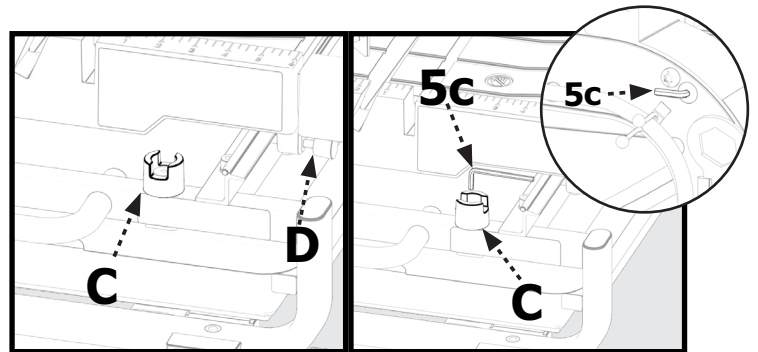


Figura 9a

Figura 9b

Adjuntar Bandeja Guiada

1. Conecte la Bandeja Guiada (19) a la Bandeja de Salpicadura (16) usando tres Tornillos autorroscantes de plástico Phillips M4 x 10 (H3) como se muestra en la Figura 10.

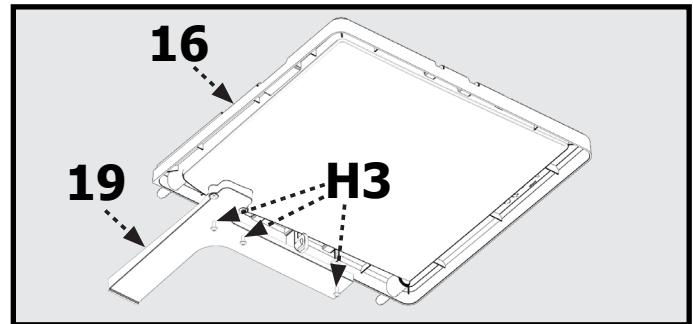


Figura 10

Adjunte La Bandeja De Bienvenida

1. Deslice la Mesa de trabajo (4) hacia adelante, como se muestra en la Figura 11a, para colocar la Bandeja de bienvenida (16).
2. Alinee las clavijas (A) en los orificios de la mesa de trabajo (4), como se muestra en la figura 11a. Sujete las dos mesas juntas apretando el tornillo de mariposa (B) debajo de la bandeja de bienvenida, como se muestra en la Figura 11b.

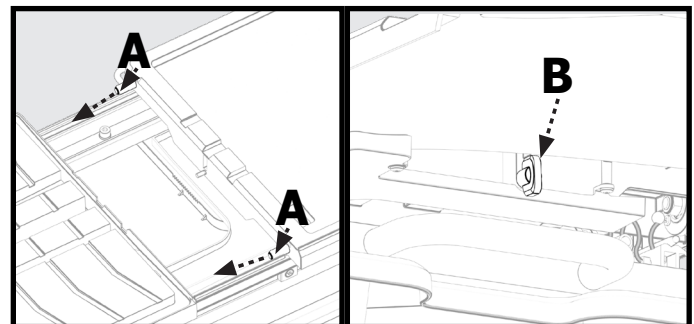


Figura 11 A

Figura 11 B

INSTALACIÓN DE LA EXTENSIÓN DE LA MESA

1. La extensión de la mesa (17) se instala en el lado derecho de la mesa de trabajo (4).
2. Coloque la extensión de la mesa de manera que las dos clavijas (A) se alineen con los agujeros (B) en la mesa de trabajo como se muestra en la Figura 12.
3. Asegure la extensión de la mesa a la mesa de trabajo apretando el tornillo que se encuentra debajo de la extensión de la mesa como se muestra en la Figura 13.

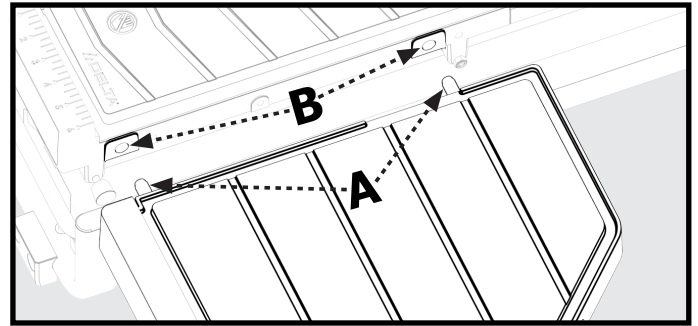


Figura 12

Instala Lado Bandeja contra salpicaduras

1. Coloque la bandeja de bienvenida lateral (18) para alinearla con la extensión de la mesa.
2. Asegure la bandeja de salpicaduras lateral a la extensión de la mesa apretando el tornillo de mariposa (C) debajo de la bandeja de salpicaduras lateral como se muestra en la Figura 14.

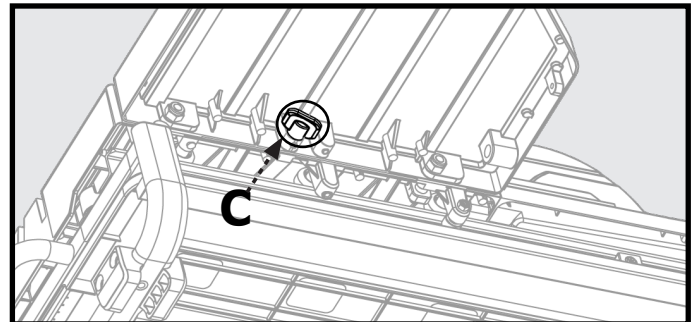


Figura 13

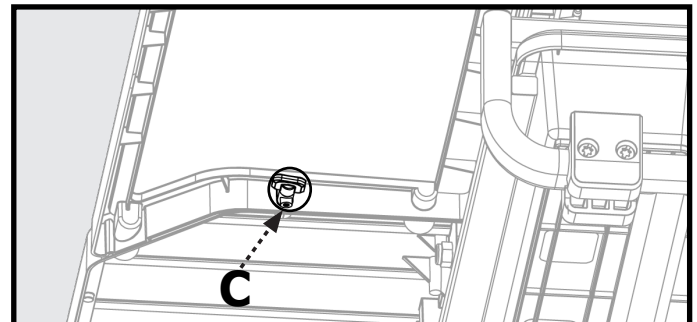


Figura 14

Acople De La Guía De Inglete

1. Sujete el calibrador de ingletes (3) colocándolo sobre el borde frontal de la mesa y ajústelo en su lugar usando la perilla de bloqueo de ingletes (D) como se muestra en la Figura 15.

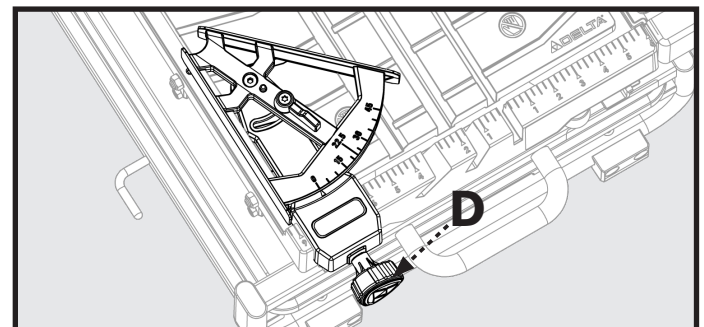


Figura 15

MOVING AND STORING TILE SAW

⚠ ADVERTENCIA Mover o reposicionar la cortadora requerirá de dos personas, una en cada extremo del marco principal.

⚠ ADVERTENCIA El conjunto del brazo de la cortadora es pesado. Asegúrese de que el conjunto del brazo de Check to make sure saw mounts are properly centered on stand rails before operating saw. la cortadora sea soportado por separado, o que el marco principal esté equilibrado cuando se levante la cortadora. Utilice los músculos de la pierna para levantar y bajar el marco principal para minimizar el riesgo de lesiones.

Quando vuelva a posicionar la cortadora en una superficie nueva, retire primero el marco principal del soporte. Luego coloque el soporte de modo seguro en la posición a nivel en la ubicación deseada sobre una superficie estable que admitirá el soporte, la bandeja y el contenido antes de colocar el marco principal sobre el soporte.

⚠ ADVERTENCIA Compruebe para asegurarse que los montajes de la cortadora estén centrados de modo adecuado sobre los rieles del soporte antes de operar la cortadora.

OPERATION

⚠ ADVERTENCIA No cumplir con las siguientes advertencias puede resultar en una lesión personal grave. LEA TODO EL MANUAL. Además de leer estas instrucciones de funcionamiento, es importante leer y entender todo el manual antes de operar esta cortadora. Siga todas las instrucciones aplicables con respecto al montaje, preparación y ajuste antes de realizar cualquier corte y cumpla con todas las normas de seguridad y las advertencias en esta sección y en otras partes de todo este manual.

LUBRICACIÓN DEL DISCO

⚠ ADVERTENCIA La falta de agua de enfriamiento puede dañar el disco. Para garantizar el funcionamiento adecuado, debe existir un flujo constante de agua sobre el disco.

Existen dos formas de garantizar un flujo constante de agua al disco:

- por medio de la bandeja de agua
- por medio de un blade de llenado

PARA USAR LA BANDEJA DE AGUA

1. Asegúrese de que el tapón de drenaje (A, Fig. 11) esté seguramente insertado en el drenaje y que la tuerca mariposa de bloqueo (B, Fig. 11) esté asegurada.
2. Acople el extremo libre de la manguera de agua a la boquilla de salida (C, Fig. 12) y a la bomba sumergible (7).
3. Coloque la bomba en la parte inferior de la bandeja de agua (1)
 - dentro del área de contención como se muestra en la Figura 12
 - y presione firmemente hacia abajo para que los pies de succión queden adheridos de modo seguro.
4. Asegure la conexión en la manguera de agua y el cable de suministro de la bomba a la herramienta usando los lazos de sujeción provistos (D, Fig. 12).
5. Llene la bandeja de agua hasta un nivel que cubra por completo el filtro/entrada a la bomba.

NOTA : Para garantizar la operación segura de la bomba, retire la cubierta interior de la cara de la bomba y compruebe para asegurarse de que toda la abertura circular de la entrada esté bajo el agua.

NOTA : No asegurarse que la bomba esté adecuadamente sumergida causará que la bomba se queme, previniendo que el mecanismo de enfriamiento funcione adecuadamente. Cuando utilice la bandeja de agua como la fuente de agua, siempre verifique que la bomba esté siempre totalmente sumergida en la bandeja de agua.

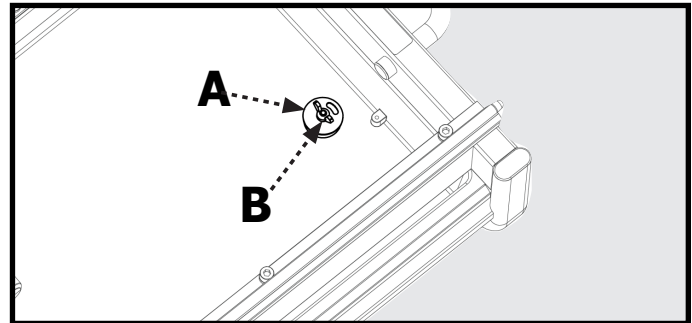


Figura 16

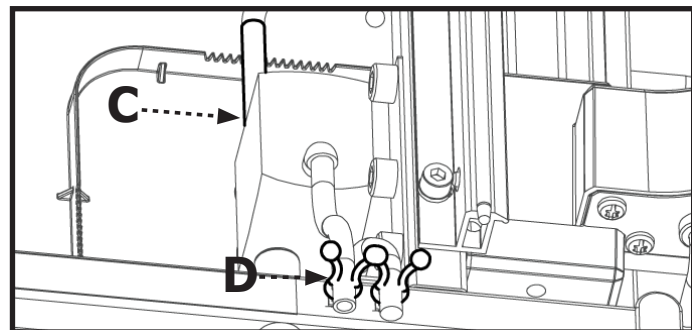


Figura 17

ENCENDIDO Y APAGADO DE LA CORTADORA

Conecte la unidad a un suministro de potencia con la tensión y frecuencia correctas (120V).

1. Para arrancar el motor, lleve el interruptor (C) a la posición "ON" (Encendido).
2. Para detener el motor, empuje el interruptor a la posición "OFF" (Apagado).

NOTA: Siempre y cuando el tapón del motor esté colocado dentro del receptáculo del tapón de la bomba en el motor, la bomba se encenderá cuando se encienda el motor.

USO DEL CIERRE DE SEGURIDAD

Cuando la cortadora no esté siendo usada, el interruptor ON/OFF (Apagado/Encendido) estará bloqueado en la posición OFF (Apagado), utilizando un candado grande con un diámetro de espárrago de 3/16".

Para bloquear la cortadora:

1. Inserte el candado a través del orificio ubicado debajo del interruptor y páselo todo el camino hasta la pestaña de bloqueo en el interruptor y fuera por el otro lado.
2. Asegure el candado.
3. Guarde la llave en un lugar seguro y alejado de la cortadora.

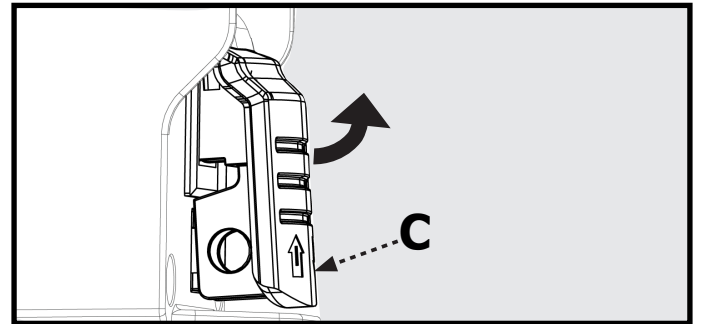


Figura 18

FUNCIONAMIENTO

CÓMO REALIZAR LOS CORTES

⚠ ADVERTENCIA ADVERTENCIA: Asegúrese de que el actuador del interruptor esté en la posición "OFF"(Apagado) cuando proceda a ajustar el motor.

⚠ ADVERTENCIA No intente cortar piezas muy pequeñas. Evite posiciones de las manos extrañas que podrían causar un resbalón repentino y que su mano o dedo entren en contacto con el disco de corte de diamante. Cuando corte cualquier material, asegúrese de que esté totalmente soportado. Sostenga la pieza de trabajo firmemente. No fuerce el material dentro del disco.

⚠ ADVERTENCIA Asegúrese de que el botón de ajuste de la profundidad de corte y el botón de ajuste del corte en biselado estén ajustados antes de la operación de la cortadora.

⚠ ADVERTENCIA Siempre asegúrese de que la bomba esté enchufada en el receptáculo de potencia en la cortadora de baldosas. Enchufar la bomba en cualquier otro receptáculo que no sea el suministrado en la cortadora puede resultar en un peligro de descarga.

⚠ ADVERTENCIA Asegúrese de que la bomba esté completamente sumergida en agua para proteger la bomba en caso de fallo.

Corte en paralelo

Un corte paralelo es cualquier corte realizado con una escala de inglete (3) a 45° grados (la cara de la guía de inglete estará en paralelo al disco de corte). Para realizar un corte en paralelo:

1. Asegúrese de que la flecha del ángulo (A) en la guía de inglete apunte a los 45°.
2. Afloje el botón (B) en la guía de inglete.
3. Ajuste el medidor de inglete para que el ángulo deseado en la escala se alinee con la flecha del ángulo (A).
4. Ajuste el botón.
5. Coloque y presione la baldosa firmemente contra la guía de inglete y mueva la mesa de modo parejo con ambas manos durante el corte. No fuerce la pieza de trabajo o mueva la mesa demasiado rápido.

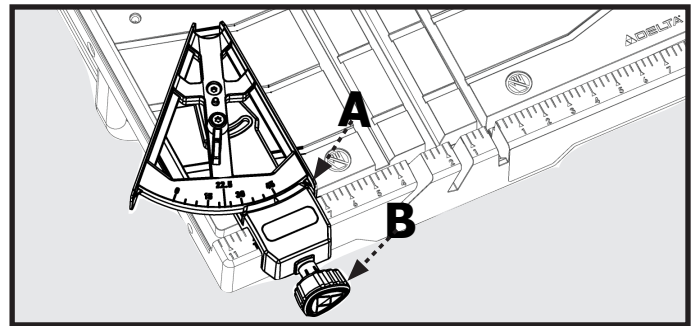


Figura 19

Corte en ángulo

Con la guía de inglete usted puede realiza cortes en ángulo de hasta 45 grados. Para realizar un corte en ángulo:

1. Afloje el botón de bloqueo (C) en la guía de inglete.
2. Ajuste la guía de inglete al ángulo deseado y ajuste el botón.
3. Utilizando la guía de inglete alinee el material para el corte en ángulo.
4. Mueva la mesa hacia adelante con las dos manos durante el corte mientras sostiene la baldosa de modo seguro contra el tope posterior en la mesa.
5. No fuerce la pieza de trabajo o mueva la mesa demasiado rápido.

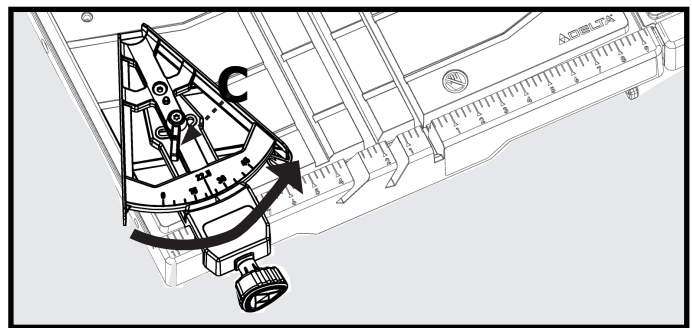


Figura 20

FUNCIONAMIENTO

Corte en biselado

La cortadora le permite realizar cortes biselados a 45 grados y 22,5 grados.

PRECAUCIÓN: Si utiliza la función de biselado, la cortadora debe colocarse a exactamente 45 o 22,5 grados como se muestra en el indicador de biselado. Asegúrese de que el puntero concuerde con la línea en la escala de biselado.

Para realizar un corte en biselado:

1. Afloje el botón de bloqueo de biselado (12).
2. Incline la cabeza de la cortadora de forma que el puntero en la cabeza de la cortadora se alinee con el biselado deseado como se muestra en el indicador de biselado (A).
3. Ajuste el botón de bloqueo de biselado.
4. Coloque y presione la baldosa firmemente con las dos manos durante el corte.
5. Mueva la mesa hacia adelante con las dos manos durante el corte mientras sostiene la baldosa de modo seguro contra el tope posterior en la mesa.
6. No fuerce la pieza de trabajo o mueva la mesa demasiado rápido.

Corte por penetración

1. Afloje la profundidad del botón de bloqueo de corte (11).
2. Eleve la cabeza de corte en su totalidad, en la posición recta.
3. Alinee la baldosa debajo del disco de corte moviendo la mesa a la posición deseada.
4. Mientras sostiene la mesa de modo seguro en el lugar, haga penetrar la cortadora en el material. No fuerce la cortadora o mueva la cortadora demasiado rápido en el material.

AJUSTE DE LA PROFUNDIDAD DE CORTE

Usted puede ajustar la profundidad de corte para acomodar materiales de distintos espesores, de hasta 3-1/4" pulgadas.

1. Afloje la tuerca de bloqueo mariposa de plástico (E) girándola en dirección opuesta a las agujas del reloj.
2. Gire el Botón de profundidad de bloqueo de corte (11) en dirección contraria a las agujas del reloj para aflojar y levantar la cabeza del cortador en la posición más alta.
3. Ajuste el botón de ajuste de altura (10) a la profundidad deseada, bajando la cabeza de la cortadora para verificar la profundidad necesaria.
4. Ajuste la tuerca de bloqueo mariposa de plástico (E) para bloquear el botón de Ajuste de altura (10) en su lugar.
5. No apriete la perilla de ajuste de altura (10) cuando la perilla de bloqueo de profundidad de corte esté apretada. 6. Baje el cabezal de corte hasta que se detenga y bloquee la perilla de profundidad de corte (11) en su lugar para asegurar el cabezal de corte para cortes pasantes o deje la perilla (11) suelta para cortes de inmersión.

NOTA: Si la perilla de bloqueo de la profundidad de corte (11) está bloqueada, no ajuste la perilla de ajuste de la altura (10) o se pueden producir daños.

Usted puede configurar la profundidad de penetración para realizar cortes de penetración repetidos de la misma profundidad en piezas de trabajo múltiples.

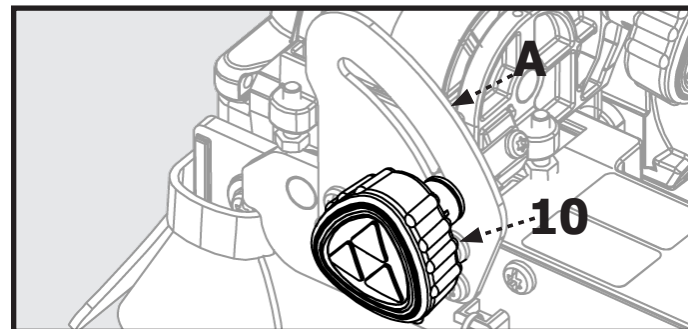


Figura 21

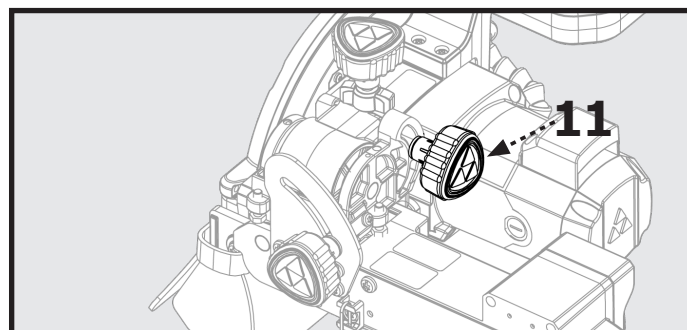


Figura 22

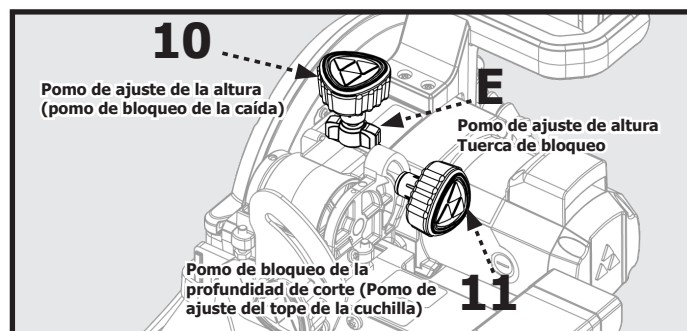


Figura 23

⚠ PRECAUCIÓN Si va a realizar cortes de penetración repetidos a la misma profundidad de corte, deje el botón de bloqueo de corte flojo. Caso contrario, siempre vuelva a ajustar la profundidad del botón de bloqueo de corte.

MANTENIMIENTO

⚠ ADVERTENCIA Por su seguridad, apague el interruptor y desenchufe la cortadora de la fuente de potencia antes de realizar cualquier mantenimiento o limpieza. Si el cable de potencia se daña de alguna forma, reemplácelo de inmediato con el cable aprobado. Cuando limpie la cortadora, no exponga el motor al agua directa. Si ingresa agua en exceso en el motor, puede ocurrir una descarga eléctrica y/o daño al motor.

No repare los componentes internos del motor eléctrico usted mismo. Contacte a un centro de servicio autorizado.

Jamás use agua o algún otro líquido químico para limpiar las piezas eléctricas de la máquina.

Utilice un paño suave para limpiar el agua y el polvo de la máquina.

Mantenga las ranuras de ventilación del motor limpias para prevenir el sobre-calentamiento.

El mantenimiento periódico de su cortadora de baldosa le dará una larga vida útil y un funcionamiento libre de problemas. El residuo de corte que genera la cortadora puede ser considerable. Deberá mantenerse un cronograma de limpieza, lubricación y mantenimiento.

Como parte del sentido común y práctica de mantenimiento preventivo después de cada uso, siga estos pasos recomendados:

- Limpie toda la cortadora con agua corriente después de cada uso.
- Bombee agua limpia/corriente durante un minuto a través del conjunto de la bomba de agua y la protección para evitar la acumulación de fango y las obstrucciones.
- Asegúrese de que los rieles guía estén lubricados.
- Si la mesa no se desliza fácilmente, lubrique la barra apenas.
- Inspeccione el disco de corte de diamante para comprobar su integridad general. Verifique el borde para ver su desgaste o daño y reemplace el disco de corte de ser necesario.

CAMBIO DEL DISCO DE LA CORTADORA

1. Afloje el botón de bloqueo de la tapa del disco (A, Fig. 21).
2. Haga oscilar la cubierta del disco hasta que se abra (9)
3. Ubique la llave para el disco suministrada en el conjunto del brazo de la cortadora (5b, 5).
4. Afloje el cierre del eje del disco (B, Fig. 20) y utilice la llave para el disco (C, Fig. 21) para aflojar la tuerca de bloqueo del husillo (D, Fig. 21)
5. Retire la tuerca de bloqueo del husillo.
6. Remueva el disco.
7. Coloque el disco nuevo en el husillo de forma tal que la flecha en el disco quede apuntando en la misma dirección que la flecha en la tapa del disco. (Consulte la Figura 21)
8. Vuelva a colocar la tuerca del husillo y ajuste mientras suelta el cierre del eje.
9. Cierre la tapa y ajuste el botón de bloqueo de la tapa.

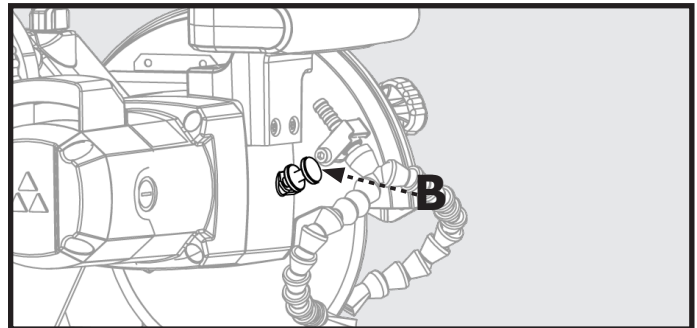


Figura 24

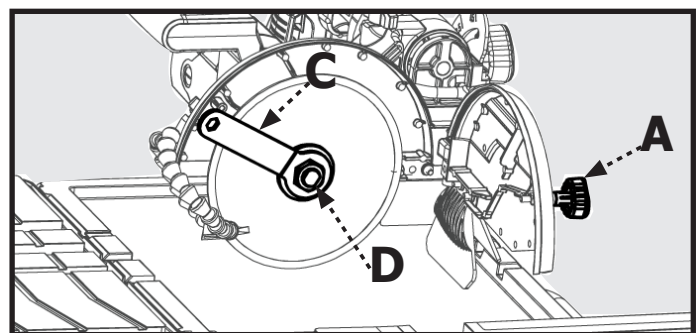


Figura 25

Comprobación Del Biselado

1. Coloque la mesa de trabajo (4) de forma tal que esté debajo del disco.
2. Afloje el botón de bloqueo de la tapa del disco.
3. Haga oscilar la tapa del disco hasta que se abra (9).
4. Con el indicador de biselado a 0 grados, utilice una escuadra pequeña para asegurarse de que el disco esté en escuadra con la mesa.
5. Si el disco no está en escuadra con la mesa deslizante, ajuste el tornillo de tope de posición (A) en la dirección en la que el disco precisa moverse para quedar en escuadra con la mesa. Utilice una escuadra pequeña para comprobar que la mesa esté en escuadra.
6. Repita los pasos 4 y 5 con el indicador de biselado a 45 grados y utilice el tope positivo a 45 grados (C).
7. Para ajustar el puntero (B) y alinear con la marca de 0° o 45° en la escala, afloje el tornillo en el puntero y ajuste para alinear según la marca correcta y vuelva a ajustar el tornillo.
8. Cierre la tapa del disco y vuelva a bloquear.

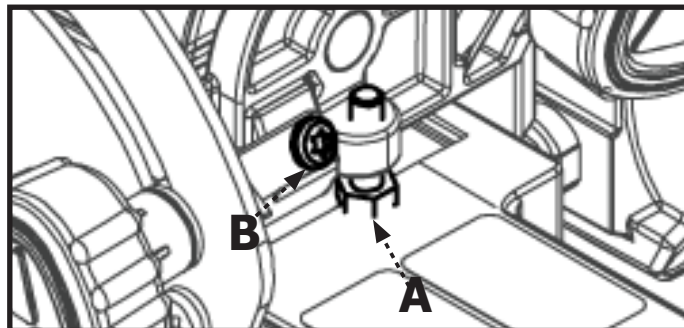


Figura 26

Limpieza De La Bomba

Retire la placa delantera y el rotor, y utilice un cepillo pequeño o chorro de agua para limpiar cualquier desperdicio.

⚠ PRECAUSIÓN No se puede remover el eje de la bomba.

⚠ ADVERTENCIA Si el agua de la bomba se reduce o se detiene, reemplace la bomba o haga que sea reparada por personal cualificado.

⚠ ADVERTENCIA Parte del polvo creado por la lijadora, sierra, esmeriladora, perforadora, y otras actividades de construcción eléctricas contiene químicos, que se sabe [en el Estado de California] producen cáncer, defectos de nacimiento, u otro daño reproductivo.

Algunos ejemplos de estos químicos son:

- Plomo de pinturas a base de plomo.
- Sílice cristalina de los ladrillos y cemento y otros productos de albañilería.
- Arsénico y cromo de madera con tratamiento químico.

Su riesgo al exponerse a estos químicos varía, dependiendo de la frecuencia con la que realice este tipo de trabajo. Para reducir su exposición a estos químicos: trabaje en un área bien ventilada y con el equipo de seguridad aprobado, como máscaras para el polvo que estén especialmente diseñadas para filtrar partículas microscópicas.

Remoción De La Boquilla De Agua

Podría ser necesario remover o reemplazar la boquilla. De ser así, realice los siguientes pasos:

1. Utilice la llave Allen provista (5b) para aflojar el tornillo de sombrerete (C).
2. Gire el brazo de retén (D) hacia arriba y suelte el conjunto de la boquilla y manguera.
3. Sujete la manguera y tire de la boquilla firmemente para desconectar la boquilla de la manguera.

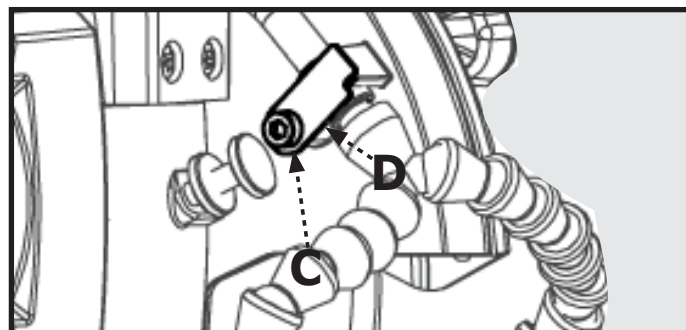
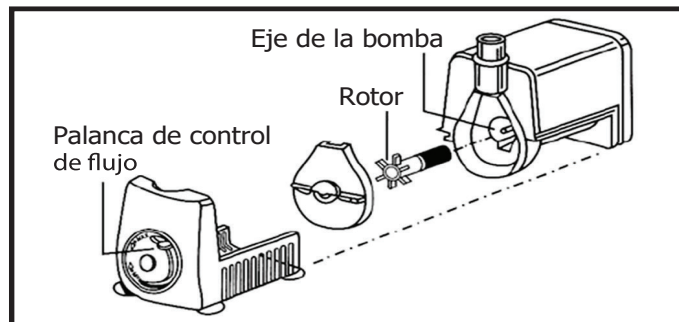


Figura 27

AJUSTES

⚠ ADVERTENCIA Antes de realizar cualquier ajuste, asegúrese de que la herramienta esté desconectada del suministro de potencia y que el interruptor esté en la posición OFF (APAGADO). No cumplir con esta advertencia puede resultar en lesiones personales graves.

Esta cortadora se ha ajustado en fábrica para realizar cortes precisos. Sin embargo, de requerir ajuste una vez desempacada y ensamblada o debido al desgaste de la máquina, se utilizarán los siguientes pasos para alinear el disco de la cortadora.

NOTA : No comience con los ajustes hasta que haya comprobado la alineación con una escuadra y realizado una prueba de corte para asegurarse se requieran los ajustes para su cortadora de baldosas.

PARA COLOCAR EN ESCUADRA EL DISCO DE CORTE CON LA MESA

No afloje los tornillos para realizar el ajuste hasta que haya comprobado la alineación con una escuadra y realizado una prueba de corte para asegurarse se requieran los ajustes para su cortadora de baldosas.

- Desenchufe la cortadora.
- Utilice la llave Allen provista para aflojar los tornillos Bristol (A) en el riel izquierdo.
- Coloque una escuadra de carpintero contra el tope de la mesa de trabajo y una pieza plana del disco.
- Use la llave Allen para girar el tornillo de ajuste (B) hasta ajustarlo. Mueva el riel hasta que el tope esté en escuadra con el disco. (Los tornillos de ajuste (B) se ubican en los extremos exteriores del riel izquierdo)
- Ajuste los tornillos Bristol de extremo (A) para bloquear el riel en su lugar. Luego ajuste los tornillos Bristol restantes (A).

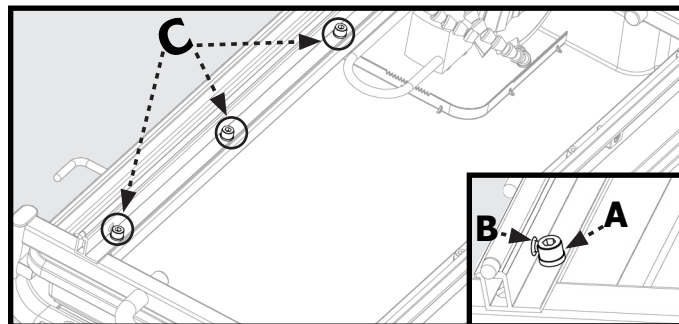


Figure 28

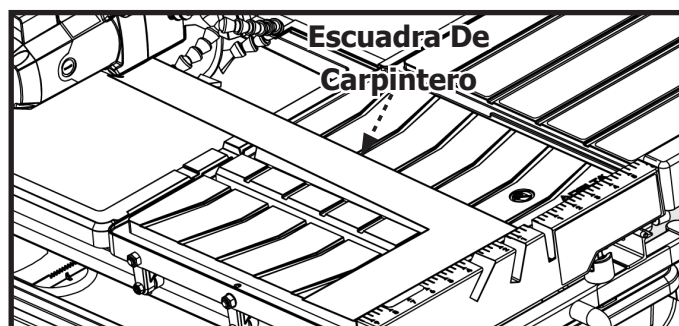


Figura 29

RESOLUCIÓN DE PROBLEMAS

Por su seguridad, lleve el interruptor a la posición APAGADO (OFF) y desenchufe la cortadora de la fuente de alimentación antes de realizar cualquiera de los pasos de resolución de problemas debajo.

- 1. El motor está demasiado caliente:**
 - Apague el motor y deje que se enfríe a temperatura ambiente
 - Compruebe y limpie las aberturas de ventilación
 - Si lo anterior no soluciona el problema, llame al Centro de servicio al 1-800-223-7278.
- 2. El motor no funciona:**
 - Verifique que todas las conexiones eléctricas estén seguras
 - Pruebe y restablezca el disyuntor en la falla a tierra del cable de potencia.
 - Verifique que el suministro de potencia sea de 120v CA.
 - Si lo anterior no soluciona el problema, llame al Centro de servicio al 1-800-223-7278.
- 3. La bomba no envía agua a la mesa:**
 - El agua en la bandeja no es lo suficientemente profunda
 - La manguera de agua está floja o se salió de la bomba
 - El cable eléctrico de la bomba no está asegurado firmemente al receptáculo previsto
 - La espuma de filtro en el receptáculo de la bomba está sucia y/o bloqueada
- 4. El movimiento de la bandeja deslizante no es suave**
 - Los rieles están sucios y se han acumulado desperdicios debido al uso. Limpie los rieles y rodillos de la guía. A continuación, lubríquelos con rocío en lubricante resistente al agua.

ACCESORIOS

Para obtener información sobre los accesorios, visite nuestro sitio web para acceder a un catálogo en línea o para encontrar el nombre de su distribuidor más cercano.

⚠ ADVERTENCIA: Puesto que los accesorios distintos a los ofrecidos por DELTA® aún no han sido probados con este producto, el uso de dichos accesorios podría ser peligroso. Para lograr el funcionamiento más seguro, solo deben usarse accesorios recomendados por DELTA® con este producto.

ASISTENCIA PARA PIEZAS, SERVICIO O GARANTÍA

Todas las máquinas y accesorios DELTA® están fabricados con los estándares de calidad más altos y su servicio técnico es realizado a través de una red de centros de servicio técnico autorizados. Para obtener información adicional relacionada con el producto o para obtener piezas, solicitar el servicio técnico o asistencia en garantía, o conocer la ubicación del centro de servicio técnico más cercano, comuníquese al 1-800-223-7278.

Garantía limitada de 1 años

1. COBERTURA. Delta Power Equipment Corporation (en adelante, "la Empresa"), reparará o reemplazará, a su sola opción, este producto, si se adquirió en un comercio minorista de los Estados Unidos y Canadá y se demostró que el producto, con su uso normal, tiene defectos en los materiales o mano de obra, sujeto a las condiciones establecidas en esta garantía limitada. Esta garantía limitada cubre únicamente materiales y mano de obra. Todos los costos de transporte quedan a cargo del cliente.

2. PERÍODO DE GARANTÍA. Todos los reclamos en garantía deberán enviarse en el plazo de 1 años a partir de la fecha de la compra en el comercio minorista. En el caso de piezas de reemplazo y productos reacondicionados de fábrica, el período de garantía será de 180 días.

3. CÓMO OBTENER EL SERVICIO TÉCNICO EN GARANTÍA. A fin de obtener el servicio técnico en garantía, deberá devolver el producto defectuoso, a cuenta propia, a un centro de servicio técnico autorizado por la Empresa para la ejecución del servicio técnico en garantía (un "Centro de servicio técnico autorizado por la empresa") dentro del período de garantía aplicable, junto con un comprobante de compra válido, como el recibo original que incluya la fecha de compra o un número de registro del producto. La Empresa se reserva el derecho de restringir el servicio técnico en garantía al país donde se realizó la compra y/o cobrar por el costo de exportar las piezas de reemplazo u ofrecer el servicio técnico en garantía en otro país. Para este propósito, las compras en línea se consideran como realizadas en los Estados Unidos. Para conocer la ubicación del Centro de servicio técnico autorizado por la empresa más cercano, comuníquese con el Centro de atención al cliente de la empresa al 1-800-223-7278.

4. EXCLUSIONES.

- La Empresa no ofrece ninguna garantía a productos adquiridos en condición de usados o dañados.
- La Empresa no concede ninguna garantía a productos adquiridos fuera de los Estados Unidos o Canadá.
- La Empresa no será responsable de ningún daño que surja a partir del desgaste normal, uso indebido, uso incorrecto o cualquier reparación o modificación realizada por personas que no pertenezcan al Centro de servicio técnico autorizado de la Empresa o no sean un representante designado del Centro de atención al cliente de la Empresa.

Todas las **GARANTÍAS IMPLÍCITAS** están limitadas al período de garantía establecido anteriormente.

La Empresa no será responsable de daños **ACCIDENTALES O CONSECUENTES**.

Esta garantía es la única garantía de la Empresa y se establece como la reparación exclusiva del cliente, con respecto a productos defectuosos; la Empresa desconoce todas las otras garantías, expresas o implícitas, sean de comerciabilidad, adecuación para un propósito, excepto que se detalle explícitamente en esta declaración de garantía.

Algunos estados no permiten la exclusión o limitación de los daños accidentales o consecuentes, ni la limitación de las garantías implícitas, por lo tanto, las limitaciones o exclusiones anteriores podrían no aplicarse a su caso. Esta garantía le concede derechos legales específicos y es posible que posea otros derechos, que varían en determinados estados o provincias. Para obtener información detallada sobre la cobertura de la garantía e información sobre la reparación en garantía, comuníquese al 1-800-223-7278.

LATINOAMÉRICA: Esta garantía no se aplica a productos comercializados en Latinoamérica. Para productos vendidos en América Latina, llame a la empresa local o visite el sitio web para obtener información sobre la garantía.

PIEZAS DE REEMPLAZO

Utilice solamente piezas de reemplazo idénticas. Para obtener una lista de las piezas o solicitar piezas, visite nuestro sitio web en www.deltamachineryparts.com. También puede solicitar las piezas a través del Centro de servicio técnico en garantía autorizado más cercano o comunicándose con el gerente de servicio técnico al 1-800-223-7278 para recibir asistencia personalizada de uno de nuestros representantes altamente capacitados.

REEMPLAZO GRATIS DE LAS ETIQUETAS DE ADVERTENCIA

Si sus etiquetas de advertencia se tornan ilegibles o faltasen, llame al 1-800-223-7278 para obtener etiquetas gratis de reemplazo.

MANTENIMIENTO Y REPARACIONES

Todas las herramientas de alta calidad requerirán eventualmente el mantenimiento y/o reemplazo de las piezas. Para obtener información sobre Delta Power Equipment Corporation, sus filiales con fábricas propias o para encontrar un Centro de servicio técnico en garantía autorizado, visite nuestro sitio www.deltamachineryparts.com o comuníquese con el servicio de atención al cliente al 1-800-223-7278. Todas las reparaciones realizadas por nuestros centros de servicio técnico están totalmente garantizadas frente a defectos en los materiales y mano de obra. No podemos ofrecer una garantía para las reparaciones realizadas o intentadas realizar por otras personas. Al comunicarse con este número, también puede encontrar respuestas a las preguntas más frecuentes las 24 horas del día.

También puede escribirnos para obtener más información a la siguiente dirección: Delta Power Equipment Corporation, 2651 New Cut Road, Spartanburg, SC 29303 -

A la atención de: Gerente de servicio técnico. Asegúrese de incluir toda la información que aparece en la placa de identificación de la sierra (modelo, tipo, número de sierra, código de fecha, etc.).

**2651 New Cut Road
Spartanburg, SC 29303
(800) 223-7278**

www.DeltaMachinery.com

©2020 Delta Power Equipment Corporation

DPEC005417

Rev: 11

10/26/2022

