

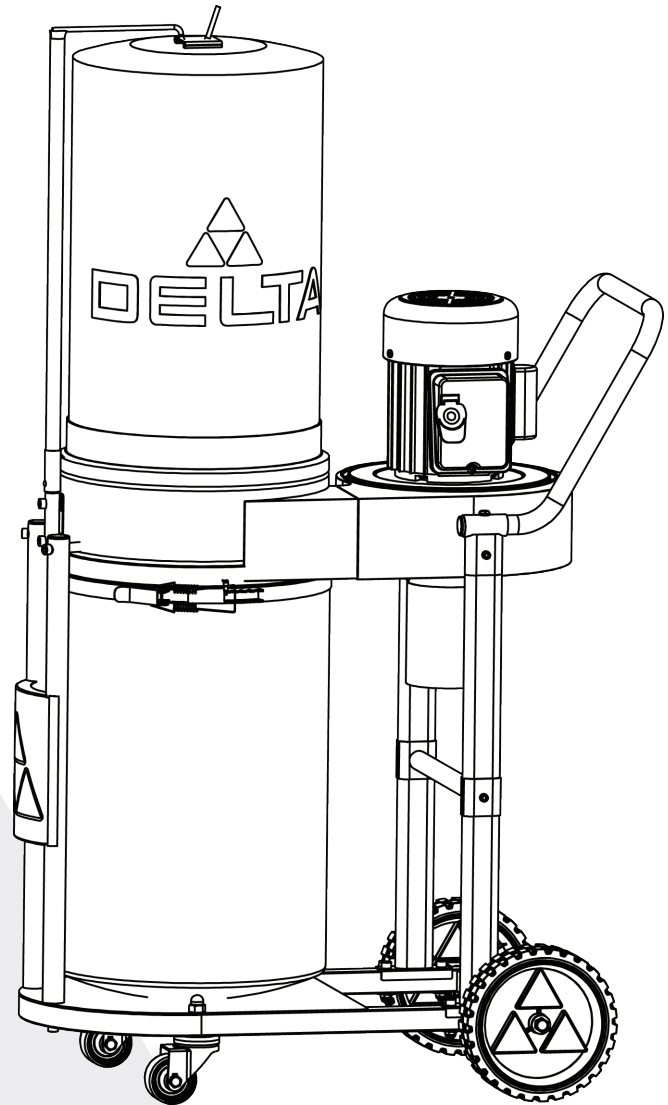
DELTA[®]

POWER EQUIPMENT CORPORATION

1 HP DUST COLLECTOR

1 HP Dépoussiéreur

Recolector de polvo de 1 HP



Français (21)

Español (41)

Instruction manual
Manuel d'utilisation
Manual de instrucciones

www.DeltaMachinery.com

INSTRUCTIVO DE OPERACIÓN, CENTROS
DE SERVICIO Y PÓLIZA DE GARANTÍA.

▲ ADVERTENCIA LÉASE ESTE INSTRUCTIVO
ANTES DE USAR EL PRODUCTO.

50-723 T2



TABLE OF CONTENTS

IMPORTANT SAFETY INSTRUCTIONS	2	OPERATION	17
SAFETY GUIDELINES - DEFINITIONS	2	TROUBLESHOOTING	17
GENERAL SAFETY RULES	3	MAINTENANCE.....	18
ADDITIONAL SPECIFIC SAFETY RULES.....	4	SERVICE.....	18
FUNCTIONAL DESCRIPTION	6	ACCESSORIES.....	19
CARTON CONTENTS	7	FRANCAIS	21
ASSEMBLY	8	ESPANOL.....	41

IMPORTANT SAFETY INSTRUCTIONS

⚠ WARNING: Read and understand all warnings and operation instructions before using any tool or equipment. Always follow basic safety precautions to reduce the risk of personal injury. Improper operation, maintenance or modification of tools or equipment could result in serious injury and property damage. There are certain applications for which tools and equipment are designed. This product should NOT be modified and/or used for any application other than for which it was designed.

If you have any questions relative to its application DO NOT use the product until you have written DELTA® Power Equipment Corporation and we have advised you. Contact us online at www.DeltaMachinery.com or by mail at Technical Service Manager, DELTA® Power Equipment Corporation, 2651 New Cut Road, Spartanburg, SC 29303.

Information regarding the safe and proper operation of this tool is available from the following sources:

- **Power Tool Institute**, 1300 Sumner Avenue, Cleveland, OH 44115-2851 or online at www.powertoolinstitute.com
- **National Safety Council**, 1121 Spring Lake Drive, Itasca, IL 60143-3201
- **American National Standards Institute**, 25 West 43rd Street, 4 floor, New York, NY 10036 www.ansi.org - ANSI 01.1 Safety Requirements for Woodworking Machines
- **U.S. Department of Labor regulations** www.osha.gov

SAVE THESE INSTRUCTIONS!

SAFETY GUIDELINES - DEFINITIONS

It is important for you to read and understand this manual. The information it contains relates to protecting YOUR SAFETY and PREVENTING PROBLEMS. The symbols below are used to help you recognize this information.

⚠ DANGER: indicates an imminently hazardous situation which, if not avoided, **will** result in **death or serious injury**.

⚠ WARNING: indicates a potentially hazardous situation which, if not avoided, **could** result in **death or serious injury**.

⚠ CAUTION: indicates a potentially hazardous situation which, if not avoided, **may** result in **minor or moderate injury**.

⚠ CAUTION: used without the safety alert symbol indicates potentially hazardous situation which, if not avoided, **may** result in **property damage**.

⚠ WARNING:

Some dust created by power sanding, sawing, grinding, drilling, and other construction activities contains chemicals known to the state of California to cause cancer, birth defects or other reproductive harm. Some examples of these chemicals are:

- Lead from lead-based paints,
- Crystalline silica from bricks and cement and other masonry products, and
- Arsenic and chromium from chemically-treated lumber (CCA).

Your risk from these exposures varies, depending on how often you do this type of work. To reduce your exposure to these chemicals: work in a well-ventilated area, and work with approved safety equipment, such as those dust masks that are specially designed to filter out microscopic particles.

GENERAL SAFETY RULES

▲ WARNING: Failure to follow these rules may result in serious personal injury.

- 1. FOR YOUR OWN SAFETY, READ THE INSTRUCTION MANUAL BEFORE OPERATING THE MACHINE.** Learning the machine's application, limitations, and specific hazards will greatly minimize the possibility of accidents and injury.
- 2. WEAR EYE AND HEARING PROTECTION. ALWAYS USE SAFETY GLASSES. Everyday eyeglasses are NOT safety glasses. USE CERTIFIED SAFETY EQUIPMENT.** Eye protection equipment should comply with ANSI Z87.1 standards. Hearing equipment should comply with ANSI S3.19 standards.
- 3. WEAR PROPER APPAREL.** Do not wear loose clothing, gloves, neckties, rings, bracelets, or other jewelry which may get caught in moving parts. Nonslip protective footwear is recommended. Wear protective hair covering to contain long hair.
- 4. DO NOT USE THE MACHINE IN A DANGEROUS ENVIRONMENT.** The use of power tools in damp or wet locations or in rain can cause shock or electrocution. Keep your work area well-lit to prevent tripping or placing arms, hands, and fingers in danger.
- 5. MAINTAIN ALL TOOLS AND MACHINES IN PEAK CONDITION.** Keep tools sharp and clean for best and safest performance. Follow instructions for lubricating and changing accessories. Poorly maintained tools and machines can further damage the tool or machine and/or cause injury.
- 6. CHECK FOR DAMAGED PARTS.** Before using the machine, check for any damaged parts. Check for alignment of moving parts, binding of moving parts, breakage of parts, and any other conditions that may affect its operation. A guard or any other part that is damaged should be properly repaired or replaced with DELTA® or factory authorized replacement parts. Damaged parts can cause further damage to the machine and/or injury.
- 7. KEEP THE WORK AREA CLEAN.** Cluttered areas and benches invite accidents.
- 8. KEEP CHILDREN AND VISITORS AWAY.** Your shop is a potentially dangerous environment. Children and visitors can be injured.
- 9. REDUCE THE RISK OF UNINTENTIONAL STARTING.** Make sure that the switch is in the "OFF" position before plugging in the power cord. In the event of a power failure, move the switch to the "OFF" position. An accidental start-up can cause injury. Do not touch the plug's metal prongs when unplugging or plugging in the cord.
- 10. USE THE GUARDS.** Check to see that all guards are in place, secured, and working correctly to prevent injury.
- 11. REMOVE ADJUSTING KEYS AND WRENCHES BEFORE STARTING THE MACHINE.** Tools, scrap pieces, and other debris can be thrown at high speed, causing injury.
- 12. USE THE RIGHT MACHINE.** Don't force a machine or an attachment to do a job for which it was not designed. Damage to the machine and/or injury may result.
- 13. USE RECOMMENDED ACCESSORIES.** The use of accessories and attachments not recommended by DELTA® may cause damage to the machine or injury to the user.
- 14. USE THE PROPER EXTENSION CORD.** Make sure your extension cord is in good condition. When using an extension cord, be sure to use one heavy enough to carry the current your product will draw. An undersized cord will cause a drop in line voltage, resulting in loss of power and overheating. See the Extension Cord Chart for the correct size depending on the cord length and nameplate ampere rating. If in doubt, use the next heavier gauge. The smaller the gauge number, the heavier the cord.
- 15. SECURE THE WORKPIECE.** Use clamps or a vise to hold the workpiece when practical. Loss of control of a workpiece can cause injury.
- 16. FEED THE WORKPIECE AGAINST THE DIRECTION OF THE ROTATION OF THE BLADE, CUTTER, OR ABRASIVE SURFACE.** Feeding it from the other direction will cause the workpiece to be thrown out at high speed.
- 17. DON'T FORCE THE WORKPIECE ON THE MACHINE.** Damage to the machine and/or injury may result.
- 18. DON'T OVERREACH.** Loss of balance can make you fall into a working machine, causing injury.
- 19. NEVER STAND ON THE MACHINE.** Injury could occur if the tool tips, or if you accidentally contact the cutting tool.
- 20. NEVER LEAVE THE MACHINE RUNNING UNATTENDED. TURN THE POWER OFF.** Don't leave the machine until it comes to a complete stop. A child or visitor could be injured.
- 21. TURN THE MACHINE "OFF", AND DISCONNECT THE MACHINE FROM THE POWER SOURCE before installing or removing accessories, changing cutters, adjusting or changing set-ups.** When making repairs, be sure to lock the start switch in the "OFF" position. An accidental start-up can cause injury.
- 22. MAKE YOUR WORKSHOP CHILDPROOF WITH PADLOCKS, MASTER SWITCHES, OR BY REMOVING STARTER KEYS.** The accidental start-up of a machine by a child or visitor could cause injury.
- 23. STAY ALERT, WATCH WHAT YOU ARE DOING, AND USE COMMON SENSE. DO NOT USE THE MACHINE WHEN YOU ARE TIRED OR UNDER THE INFLUENCE OF DRUGS, ALCOHOL, OR MEDICATION.** A moment of inattention while operating power tools may result in injury.
- 24. ▲ WARNING USE OF THIS TOOL CAN GENERATE AND DISBURSE DUST OR OTHER AIRBORNE PARTICLES, INCLUDING WOOD DUST, CRYSTALLINE SILICA DUST AND ASBESTOS DUST.** Direct particles away from face and body. Always operate tool in well ventilated area and provide for proper dust removal. Use dust collection system wherever possible. Exposure to the dust may cause serious and permanent respiratory or other injury, including silicosis (a serious lung disease), cancer, and death. Avoid breathing the dust, and avoid prolonged contact with dust. Allowing dust to get into your mouth or eyes, or lay on your skin may promote absorption of harmful material. Always use properly fitting NIOSH/OSHA approved respiratory protection appropriate for the dust exposure, and wash exposed areas with soap and water.

ADDITIONAL SPECIFIC SAFETY RULES

⚠ WARNING: Failure to follow these rules may result in serious personal injury.

⚠ WARNING: **DO NOT USE THIS UNIT TO FILTER METAL DUST.** Combining wood and metal dust can create an explosion or fire hazard. This unit is intended to filter non-explosive atmospheres only.

⚠ WARNING: **DO NOT USE THIS UNIT TO DISSIPATE FUMES OR SMOKE.** Explosions or fire can result. This dust collector is intended for use where only dry airborne dust is present. Its use should be limited to non-explosive, non-metallic atmospheres.

- 1. DO NOT OPERATE THIS UNIT UNTIL IT IS COMPLETELY ASSEMBLED AND INSTALLED ACCORDING TO THE INSTRUCTIONS.** A unit incorrectly assembled can cause injury.
- 2. OBTAIN ADVICE FROM YOUR SUPERVISOR, INSTRUCTOR, OR ANOTHER QUALIFIED PERSON** if you are not thoroughly familiar with the operation of this unit. Knowledge is safety.
- 3. FOLLOW ALL WIRING CODES** and recommended electrical connections to prevent electrical shock or electrocution.
- 4. DO NOT PULL THIS UNIT BY THE POWER CORD.** Do not allow the power cord to come in contact with sharp instruments or edges, hot surfaces, or oil or grease. Do not place any weight on top of the power cord. A damaged power cord can cause electrical shock or electrocution.
- 5. SUPPORT THIS UNIT OR SECURELY CLAMP IT TO THE WORK SURFACE WHEN IT IS USED IN A PORTABLE APPLICATION** to eliminate potential injury and/or damage from falling.
- 6. ENSURE THAT THE INTAKE AND EXHAUST AREAS ARE CLEAR PRIOR TO STARTING THE UNIT.** Clogged intakes or exhausts can cause an explosion and/or fire.
- 7. DO NOT USE THE DUST COLLECTOR** to pick up flammable liquids such as gasoline. Do not use the dust collector near flammable or combustible liquids. Explosion and/or fire can occur.
- 8. KEEP ARMS, HANDS, AND FINGERS AWAY FROM THE FAN.** Avoid all exposure to rotating parts to prevent injury.
- 9. DO NOT OPERATE THIS UNIT WITHOUT THE DUST COLLECTION BAG IN PLACE AND PROPERLY SECURED.** Sawdust and other debris can provide the potential for fire and/or explosion and can also cause inhalation problems.

- 10. INSPECT THE DUST BAG FOR CUTS, RIPS, OR TEARS.** Replace damaged bags or vacuum hoses. Sawdust and other debris can provide the potential for fire and/or explosion and can also cause inhalation problems.
- 11. ALWAYS USE THE INTAKE CAPS TO COVER UNUSED DUST PORTS.** Debris can cause damage to the unit and injury.
- 12. DO NOT ATTEMPT TO REMOVE OR REPLACE** the dust collection bag(s) while the unit is connected to the power source. Exposed fan blades can cause severe injuries.
- 13. MAINTAIN THE UNIT IN TOP CONDITION.** Clogged filters can increase the potential for fire or explosion. Follow all instructions for changing and cleaning filters.
- 14. STORE THIS UNIT IN A LOCATION** that eliminates the potential for damage to the power cord. A damaged power cord can cause shock or electrocution. Safely store power cord on the unit to eliminate tripping hazards.
- 15. TURN THE UNIT “OFF” AND DISCONNECT THE UNIT** from the power source before installing or removing accessories, before adjusting or changing set-ups, or when making repairs. An accidental start-up can cause serious injury.
- 16. TURN THE UNIT “OFF”,** disconnect the unit from the power source, and clean the table/work area before leaving the area.

SAVE THESE INSTRUCTIONS.
Refer to them often and use them to instruct others.

POWER CONNECTIONS

A separate electrical circuit should be used for your machines. This circuit should not be less than #12 wire and should be protected with a 20 Amp time lag fuse. If an extension cord is used, use only 3-wire extension cords which have 3-prong grounding type plugs and matching receptacle which will accept the machine's plug. Before connecting the machine to the power line, make sure the switch (s) is in the "OFF" position and be sure that the electric current is of the same characteristics as indicated on the machine. All line connections should make good contact. Running on low voltage will damage the machine.

⚠ DANGER Do not expose the machine to rain or operate the machine in damp locations.

MOTOR SPECIFICATIONS

Your machine is wired for 120V, 60 HZ alternating current. Before connecting the machine to the power source, make sure the switch is in the "OFF" position.

GROUNDING INSTRUCTIONS

⚠ DANGER This machine must be grounded while in use to protect the operator from electric shock.

1. All grounded, cord-connected machines:

In the event of a malfunction or breakdown, grounding provides a path of least resistance for electric current to reduce the risk of electric shock. This machine is equipped with an electric cord having an equipment-grounding conductor and a grounding plug. The plug must be plugged into a matching outlet that is properly installed and grounded in accordance with all local codes and ordinances.

Do not modify the plug provided - if it will not fit the outlet, have the proper outlet installed by a qualified electrician. Improper connection of the equipment-grounding conductor can result in risk of electric shock. The conductor with insulation having an outer surface that is green with or without yellow stripes is the equipment-grounding conductor. If repair or replacement of the electric cord or plug is necessary, do not connect the equipment-grounding conductor to a live terminal.

Check with a qualified electrician or service personnel if the grounding instructions are not completely understood, or if in doubt as to whether the machine is properly grounded.

Use only 3-wire extension cords that have 3-prong grounding type plugs and matching 3-conductor receptacles that accept the machine's plug, as shown in Fig. A. Repair or replace damaged or worn cord immediately.

2. Grounded, cord-connected machines intended for use on a supply circuit having a nominal rating less than 150 volts:

If the machine is intended for use on a circuit that has an outlet that looks like the one illustrated in Fig. A, the machine will have a grounding plug that looks like the plug illustrated in Fig. A. A temporary adapter, which looks like the adapter illustrated in Fig. B, may be used to connect this plug to a matching 2-conductor receptacle as shown in Fig. B if a properly grounded outlet is not available. The temporary adapter should be used only until a properly grounded outlet can be installed by a qualified electrician. The green-colored rigid ear, lug, and the like, extending from the adapter must be connected to a permanent ground such as a properly grounded outlet box. Whenever the adapter is used, it must be held in place with a metal screw.

NOTE: In Canada, the use of a temporary adapter is not permitted by the Canadian Electric Code.

⚠ DANGER In all cases, make certain that the receptacle in question is properly grounded. If you are not sure, have a qualified electrician check the receptacle.

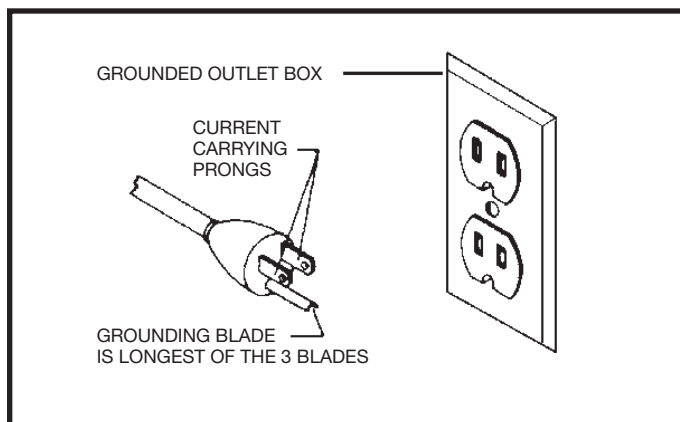


Fig. A

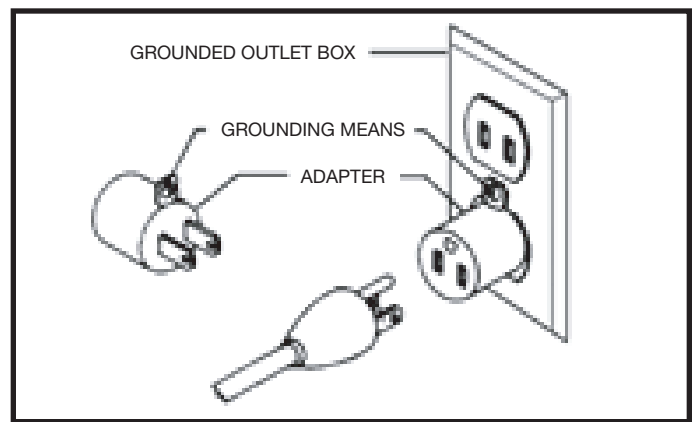


Fig. B

3. 240 VOLT SINGLE PHASE OPERATION

The motor supplied with your machine is a dual voltage, 120/240 volt motor. It is shipped ready-to-run for 120 volt operation. However, it can be converted for 240 volt operation.

A qualified electrician should do the conversion, or the machine can be taken to an Authorized DELTA® Service Center. When completed, the machine must conform to the National Electric Code and all local codes and ordinances.

The machine is converted by re-wiring the motor for 240 volts, installing a 240 volt plug on the power supply cord and replacing the switch with one that is rated for 240 volt operation.

Be sure the 240 volt plug is only used in an outlet having the same configuration as the plug illustrated in Fig. C. No adapter should be used with the 240 volt plug.

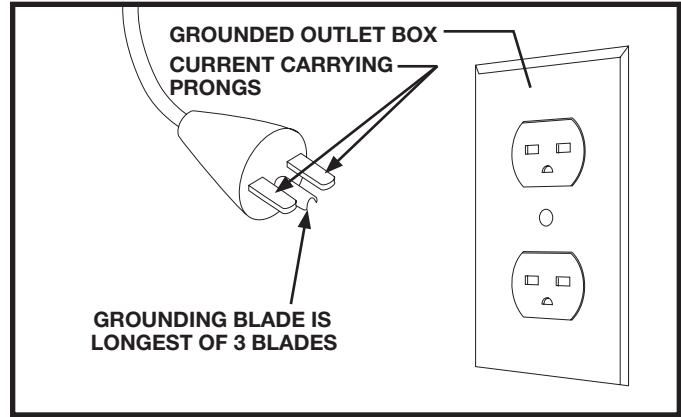


FIG. C

⚠ WARNING: In all cases, make certain that the receptacle in question is properly grounded. If you are not sure, have a qualified electrician check the receptacle.

EXTENSION CORDS

⚠ WARNING Use proper extension cords. Make sure your extension cord is in good condition and is a 3-wire extension cord which has a 3-prong grounding type plug and matching receptacle which will accept the machine's plug. When using an extension cord, be sure to use one heavy enough to carry the current of the machine. An undersized cord will cause a drop in line voltage, resulting in loss of power and overheating. Fig. D-1 or D-2, shows the correct gauge to use depending on the cord length. If in doubt, use the next heavier gauge. The smaller the gauge number, the heavier the cord.

MINIMUM GAUGE EXTENSION CORD			
RECOMMENDED SIZES FOR USE WITH STATIONARY ELECTRIC MACHINES			
Ampere Rating	Volts	Total Length of Cord in Feet	Gauge of Extension Cord
0-6	120	up to 25	18 AWG
0-6	120	25-50	16 AWG
0-6	120	50-100	16 AWG
0-6	120	100-150	14 AWG
6-10	120	up to 25	18 AWG
6-10	120	25-50	16 AWG
6-10	120	50-100	14 AWG
6-10	120	100-150	12 AWG
10-12	120	up to 25	16 AWG
10-12	120	25-50	16 AWG
10-12	120	50-100	14 AWG
10-12	120	100-150	12 AWG
12-16	120	up to 25	14 AWG
12-16	120	25-50	12 AWG
12-16	120	GREATER THAN 50 FEET NOT RECOMMENDED	

Fig. D-1

MINIMUM GAUGE EXTENSION CORD			
RECOMMENDED SIZES FOR USE WITH STATIONARY ELECTRIC MACHINES			
Ampere Rating	Volts	Total Length of Cord in Feet	Gauge of Extension Cord
0-6	240	up to 50	18 AWG
0-6	240	50-100	16 AWG
0-6	240	100-200	16 AWG
0-6	240	200-300	14 AWG
6-10	240	up to 50	18 AWG
6-10	240	50-100	16 AWG
6-10	240	100-200	14 AWG
6-10	240	200-300	12 AWG
10-12	240	up to 50	16 AWG
10-12	240	50-100	16 AWG
10-12	240	100-200	14 AWG
10-12	240	200-300	12 AWG
12-16	240	up to 50	14 AWG
12-16	240	50-100	12 AWG
12-16	240	GREATER THAN 100 FEET NOT RECOMMENDED	

Fig. D-2

FUNCTIONAL DESCRIPTION

FOREWORD

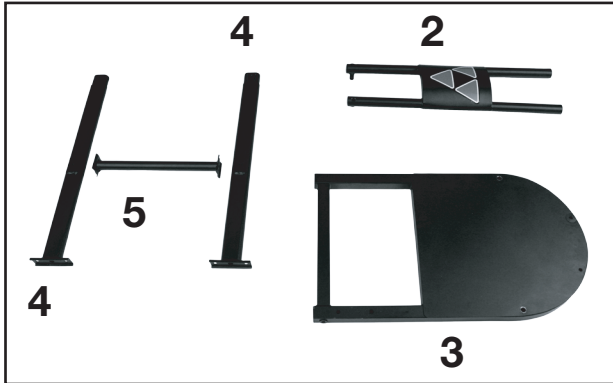
The DELTA® Industrial Model 50-723 T2 Dust Collector will connect to woodworking machines that accept a 4" diameter hose. The 50-723 T2 comes with one 2 micron filter bag and two 6 mil plastic collection bag.

NOTICE: The photo on the manual cover illustrates the current production model. All other illustrations contained in the manual are representative only and may not depict the actual labeling or accessories included. These are intended to illustrate technique only.

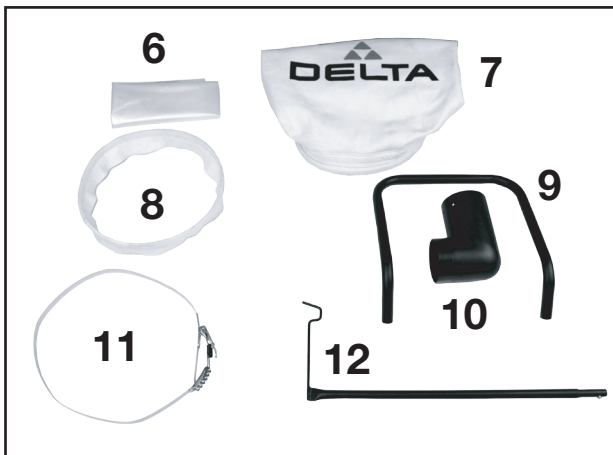
CARTON CONTENTS



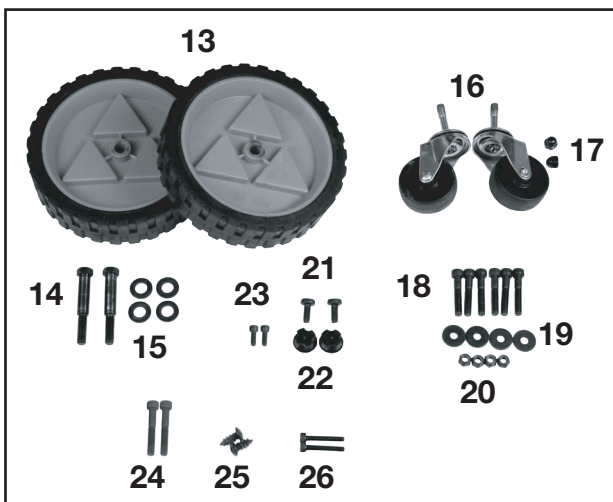
1. Blower Housing Assembly



2. Front Support Assembly
3. Base Frame
4. Rear Blower Housing Support (2)
5. Rear Stand Cross Support



6. Dust Collection PE Bag
7. Dust Filter Bag
8. Retainer Strap
9. Handle
10. Inlet Adapter
11. Dust Collection Bag Ring
12. Hanger Assembly



13. Rear Wheel (2)
14. M10 Hex Head Shoulder Bolt (2)
15. M12 Flat Washer
16. Swivel Casters (2)
17. Acorn Nuts (2)
18. M8 x 45 Hex Socket Head Screw (6)
19. M8 Flat Washer (4)
20. M8 Lock Nut (4)
21. Round Head Phillips Self-tapping screws (2)
22. Tube End Cap (2)
23. M6 x 10 Hex Socket Head Screw (2)
24. M8 x 55 Hex Socket Head Screw (2)
25. M5 Round Head Phillips Screw (2)
26. M6 x 40 Hex Socket Head Screw (2)

ASSEMBLY

⚠ WARNING For your own safety, do not connect the machine to the power source until the machine is completely assembled and you read and understand the entire instruction manual.

ASSEMBLY TIME ESTIMATE

30 minutes to 1 hour

⚠ CAUTION This machine is heavy. Use two or more people when lifting.

ATTACHING THE CASTERS

1. Turn the base frame onto its side (Fig 1).
2. Insert threaded portion of caster into through hole on the bottom of the base frame.
3. Tighten acorn nut. (17)
4. Repeat for the other caster.

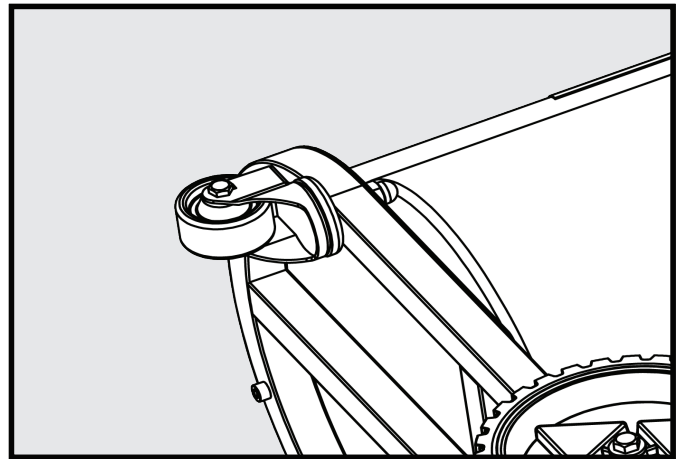


FIGURE 1

ATTACHING THE REAR WHEELS

1. Place base frame upright.
2. Insert M12 flat washer (15) onto shoulder bolt (14) (Fig 2).
3. Insert shoulder bolt (14) through rear wheel (13).
4. Place another M12 flat washer (15) between wheel and base.
5. Tighten shoulder bolt. (14)
6. Repeat for other wheel.

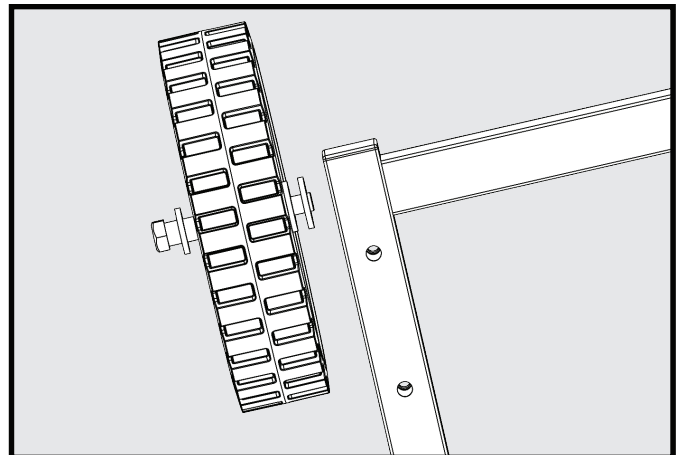


FIGURE 2

ASSEMBLY (continued)

ATTACHING REAR BLOWER HOUSING SUPPORT

1. Place base frame on side.
2. Align Rear blower housing support with through holes.
3. Insert M8 x 45mm hex socket head screw (18) through base support and base frame as shown.
4. Place M8 flat washer (19) and M8 lock nut (20) on bottom side (Fig 3).
5. Tighten lock nut.
6. Repeat for other side.

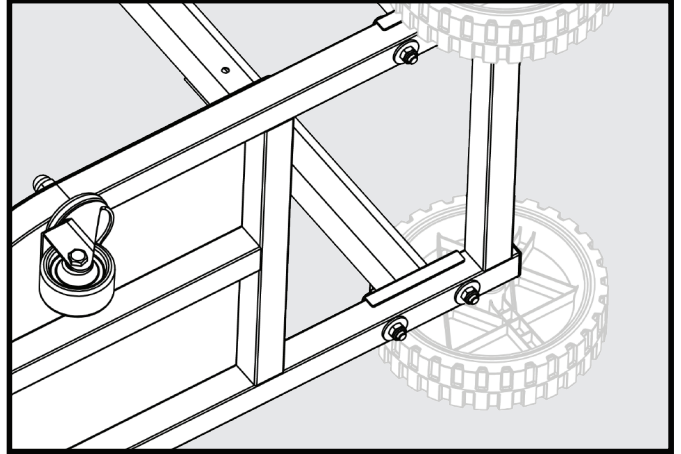


FIGURE 3

ATTACHING FRONT SUPPORT ASSEMBLY

1. Place unit on its side.
2. Align front support assembly with through holes at front of base frame.
3. Insert M8 x 45mm hex socket head screw (18) through hole in base frame and thread into front support (Fig 4).
4. Tighten screw.
5. Repeat on other side.

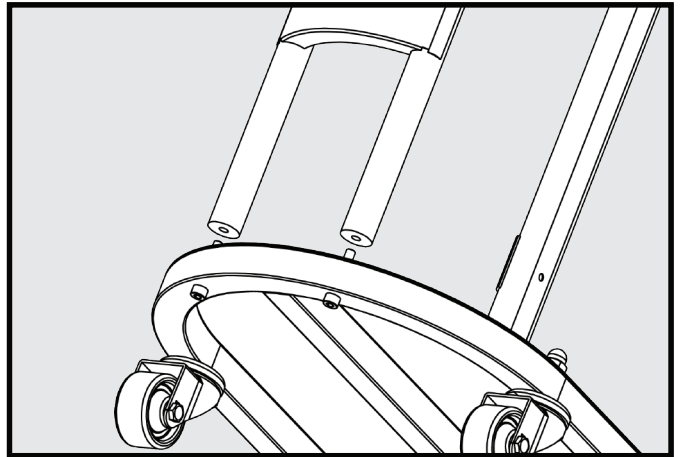


FIGURE 4

ATTACHING REAR STAND CROSS SUPPORT

1. Place unit upright.
2. Align rear stand cross support with through hole on rear blower housing support.
3. Insert M6 hex socket head screw (26) through rear base support hole and thread into cross support (Fig 5).
4. Tighten screw.
5. Repeat on other side.

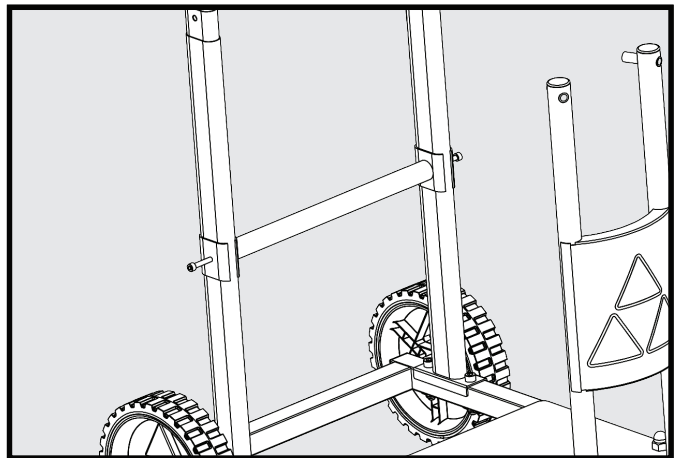


FIGURE 5

ASSEMBLY (continued)

ATTACHING MOTOR BLOWER ASSEMBLY TO STAND

NOTE: TWO PEOPLE ARE NEEDED FOR THIS STEP

1. Place motor blower assembly onto stand.
2. Align the brackets on the blower housing, on the motor end, to the rear blower housing supports.
3. Rear blower housing supports fit inside the brackets on the blower housing, as shown. (Fig 6)

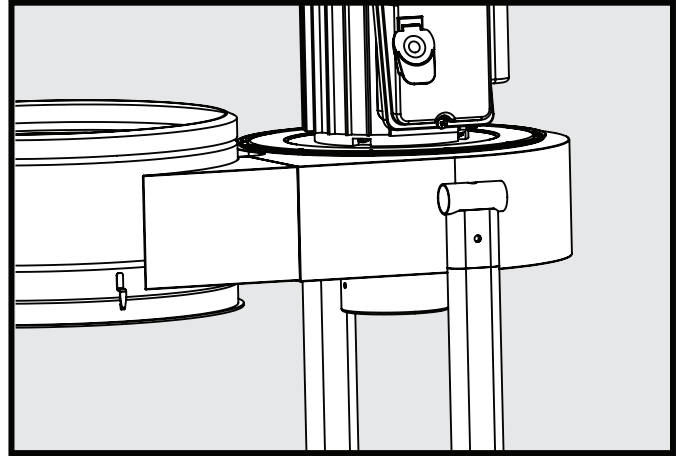


FIGURE 6

4. Align holes on front support assembly to blower housing assembly (Fig 7).

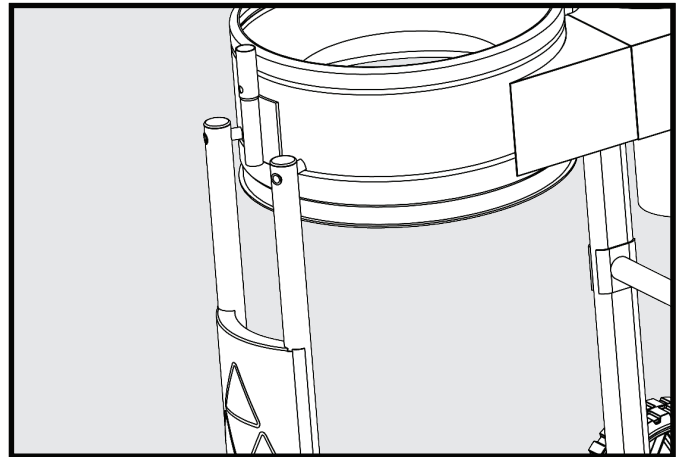


FIGURE 7

5. Insert M8 x 55mm hex socket head screw (24) through hole and thread into blower housing (Fig 8).
6. Tighten screw.
7. Repeat on other side .

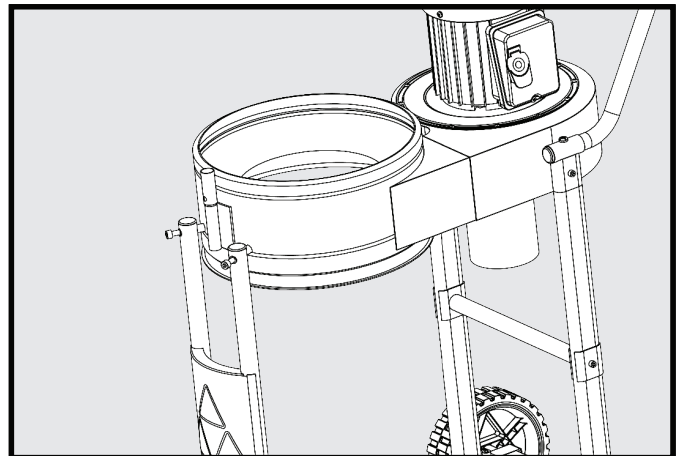


FIGURE 8

ASSEMBLY (continued)

- Place M6 hex socket head screw (23) through hole of blower housing bracket and thread into rear blower housing support (Fig 9).
- Tighten screw.
- Repeat on other side.

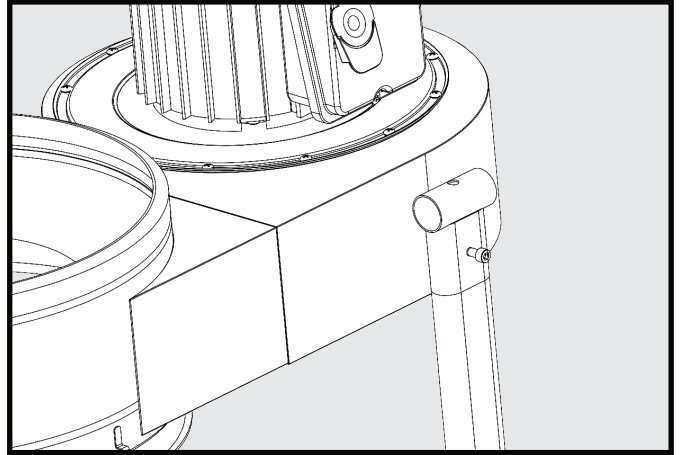


FIGURE 9

ATTACHING HANDLE

- Insert handle into both brackets on blower housing (Fig 10).
- Align holes in handle with top holes in blower housing brackets.
- Screw in M8 Phillips head self tapping screw (21) on both sides (Fig 11).
- Insert tube end cap into end of handle.
- Be sure cap is seated (Fig 12).
- Repeat on other side.

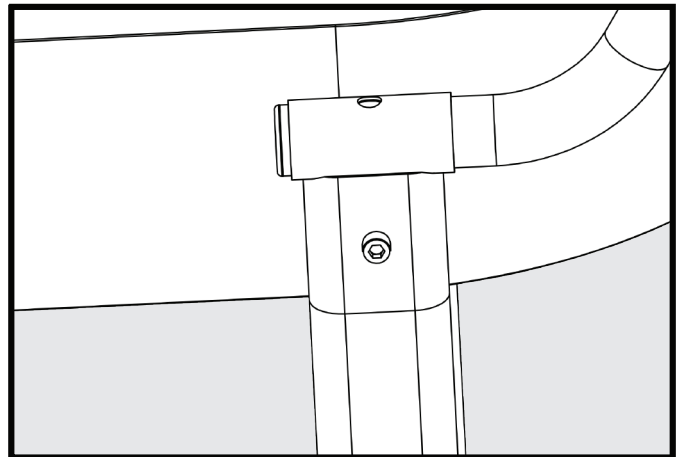


FIGURE 10

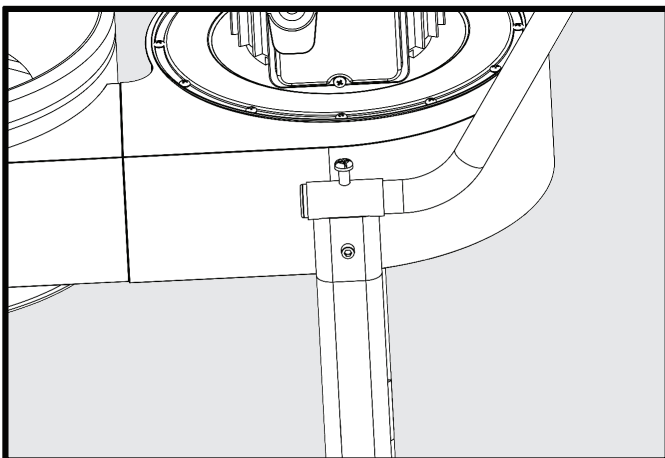


FIGURE 11

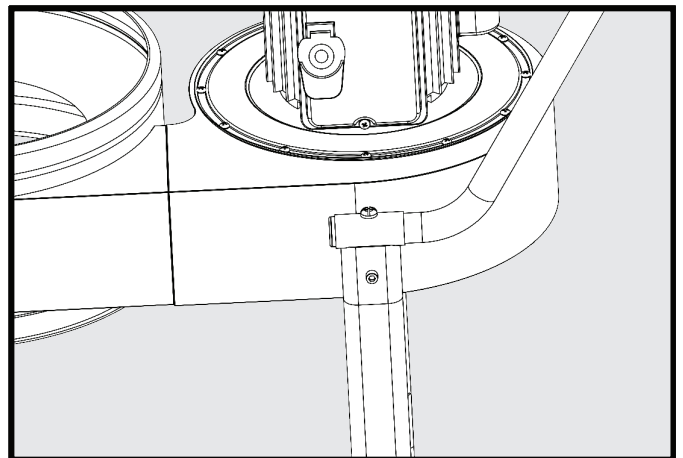


FIGURE 12

ASSEMBLY (continued)

ATTACHING THE DUST INTAKE PORTS

⚠ WARNING Disconnect the machine from the power source!

1. Place the inlet adapter on the dust intake port as shown in Fig. 13 opposite to the motor. Make sure that the inlet adapter fits on the intake flange and holes line up between the inlet adapter and housing.
2. Insert screws (25).
3. Tighten screws on both sides.

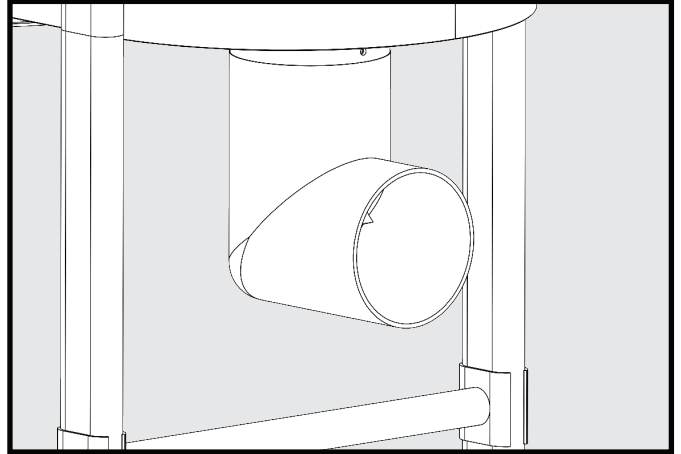


FIGURE 13

NOTE:

Do not attach hose directly to inlet without having the adapter, 90° elbow, in place. Not using the adapter could cause damage to the hose and affect airflow into the collector.

ATTACHING THE DUST COLLECTION BAG

⚠ WARNING Disconnect the machine from the power source!

A. USING CLOTH COVERED FLEXIBLE RING:

1. Place the cloth-covered bag retainer ring (8) inside the opening of the clear plastic dust collection bag (6). Fold about 6 inches of the bag around the retainer ring (Fig 14).
2. Place the bag in the large hole in the blower housing assembly. Fit the retainer ring into the bottom groove. Bend and fold the ring to fit it into place. Flexible ring will fit into the bottom of the blower housing the same way as described for installation of the Micron bag in the top of the blower housing. Refer to Fig 18 & Fig 19 on pg 15.
3. Tug slightly on the bag to eliminate any slack and to make sure that the bag is secure and will not detach during collection.



FIGURE 14

B. USING A METAL BAG CLAMP

You can also attach the plastic bag to the outside of the dust collector using the included clamp Fig 15.

1. Slide the bag under the hooks.
2. Place the clamp around the top of the plastic bag (6). Folding over a few inches of plastic bag over the clamp (11).
3. Secure the clamp making sure the clamp isn't over the hook.



FIGURE 15

ASSEMBLY (continued)

ATTACHING THE TOP FILTER BAG

⚠ WARNING Disconnect the machine from the power source!

1. Insert the hanger rod hook (12) through the material on top of the filter bag (Fig 16).



FIGURE 16

2. Insert the assembled hanger rod assembly into the hanger bracket ensuring that the lock button is in place and secure as shown in (Fig 17).



FIGURE 17

ASSEMBLY (continued)

3. Work the open end of the filter bag (7) into the top groove of the dust collector drum until it is secure and sealed. Bend and fold, as necessary, the internal bag retainer ring to fit it into place as shown in Fig 18 & 19.

NOTE: Bag ring must fit into housing groove completely to ensure a proper seal with no leaks.



FIGURE 18



FIGURE 19

ASSEMBLY (continued)

ATTACHING THE HOSE TO THE INTAKE PORT

⚠ WARNING Disconnect the machine from the power source!

Model 50-723 T2 provides one 4" dust ports. To attach the hose (**SOLD SEPARATELY**):

Loosely attach the hose clamp around one end of the flexible hose (**Hose sold seperately**). Attach the hose to the dust intake port. Tighten the hose clamp as shown in Fig 20. Attach the remaining clamp to the other end of the flexible hose and to the woodworking machine.

NOTE: Do not operate the dust collector without hose attached to the inlet adapter.

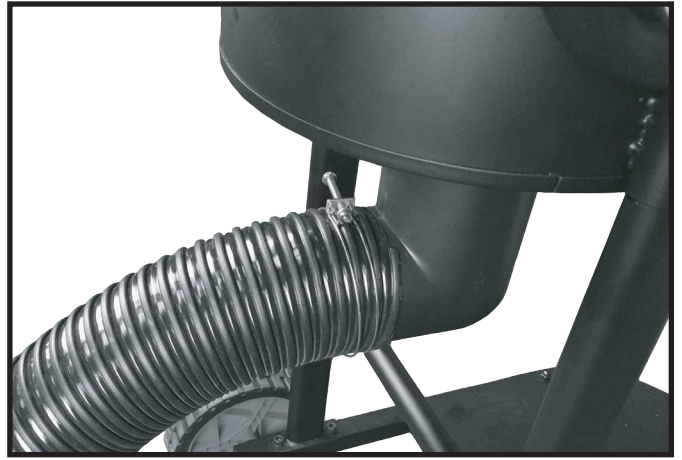


FIGURE 20

OPERATION

OPERATIONAL CONTROLS AND ADJUSTMENTS

⚠ WARNING For operator safety, do not operate the machine with any dust intake holes uncovered. The rotating fan, located inside the blower housing, is accessible through the dust intake port and can be hazardous. Always wear proper apparel. Do not wear jewelry. Keep your fingers and all foreign objects out of the dust intake port. Follow the safety rules in this manual.

STARTING AND STOPPING THE DUST COLLECTOR

1. The on/off switch Fig. 21 is located on the motor housing. To turn the machine “ON”, move the switch up to the “ON” position.
2. To turn the machine “OFF”, move the switch (A) down to the “OFF” position.

⚠ WARNING Make sure that the switch is in the “OFF” position before plugging in the power cord. In the event of a power failure, move the switch to the “OFF” position. An accidental start-up can cause injury.

LOCKING THE SWITCH IN THE “OFF” POSITION

IMPORTANT: When the tool is not in use, the switch should be locked in the “OFF” position to prevent unauthorized use. To lock the machine, grasp the switch toggle Fig. 21 and pull it out of the switch. With the switch toggle removed (Fig 22), the switch will not operate. However, should the switch toggle be removed while the dust collector is running, the machine can be turned “OFF,” but cannot be restarted without re-inserting the key in the toggle switch.



FIGURE 21



FIGURE 22

⚠ WARNING When using this dust collector, do not pick up anything that is burning, smoldering, or smoking (matches, cigarettes, or hot ashes).

⚠ WARNING Do not use this unit to vacuum combustible explosive materials (coal, grain, or other finely-divided combustible material).

⚠ WARNING Do not use this unit to vacuum hazardous, toxic, or carcinogenic materials (asbestos, pesticide, or lead-based paint debris).

TROUBLESHOOTING

For assistance with your machine, visit our website at www.DeltaMachinery.com for a list of service centers or call the DELTA® Power Equipment Corporation help line at 1-800-223-7278.

MAINTENANCE

⚠ WARNING: To reduce the risk of injury, turn unit off and disconnect it from power source before installing and removing accessories, before adjusting or when making repairs. An accidental start-up can cause personal injury.

KEEP MACHINE CLEAN

Periodically blow out all air passages with dry compressed air. All plastic parts should be cleaned with a soft damp cloth.

⚠ WARNING: NEVER use solvents to clean plastic parts. They could possibly dissolve or otherwise damage the material. Wear certified safety equipment for eye, hearing and respiratory protection while using compressed air.

FAILURE TO START

Should your machine fail to start, check to make sure the prongs on the cord plug are making good contact in the outlet. Also, check for blown fuses or open circuit breakers in the line.

SERVICE

REPLACEMENT PARTS

Use only identical replacement parts. For a parts list or to order parts, visit our website at www.DeltaMachinery.com/service. You can also order parts from your nearest factory-owned branch, Authorized Warranty Service Center or by calling Technical Service Manager at 1-800-223-7278 to receive personalized support from one of our highly-trained representatives.

FREE WARNING LABEL REPLACEMENT

If your warning labels become illegible or are missing, call 1-800-223-7278 for a free replacement.

SERVICE AND REPAIRS

All quality tools will eventually require servicing and/or replacement of parts. For information about DELTA® Power Equipment Corporation, its factory-owned branches, or to locate an Authorized Warranty Service Center, visit our website at www.DeltaMachinery.com or call our Technical Service Manager at 1-800-223-7278. All repairs made by our service centers are fully guaranteed against defective material and workmanship. We cannot guarantee repairs made or attempted by others. By calling this number you can also find answers to most frequently asked questions.

You can also write to us for information at DELTA® Power Equipment Corporation, 2651 New Cut Road, Spartanburg SC 29303 - Attention:

Technical Service Manager. Be sure to include all of the information shown on the nameplate of your tool (model number, type, serial number, date code, etc.)

ACCESSORIES

⚠ WARNING: Since accessories other than those offered by DELTA® have not been tested with this product, use of such accessories could be hazardous. For safest operation, only DELTA® recommended accessories should be used with this product.

A complete line of accessories is available from your DELTA® Supplier, DELTA® Factory Service Centers, and DELTA® Authorized Service Centers. Please visit our Web Site www.DeltaMachinery.com for an online catalog or for the name of your nearest supplier.

WARRANTY

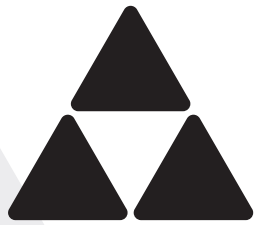
To register your tool for warranty service visit our website at www.DeltaMachinery.com.

Five Year Limited New Product Warranty

DELTA® will repair or replace, at its expense and at its option, any new DELTA® machine, machine part, or machine accessory which in normal use has proven to be defective in workmanship or material, provided that the customer returns the product prepaid to a DELTA® factory service center or authorized service station with proof of purchase of the product within five years and provides DELTA® with reasonable opportunity to verify the alleged defect by inspection. For all refurbished DELTA® product, the warranty period is 180 days. DELTA® will not be responsible for any asserted defect which has resulted from normal wear, misuse, abuse or repair or alteration made or specifically authorized by anyone other than an authorized DELTA® service facility or representative. Under no circumstances will DELTA® be liable for incidental or consequential damages resulting from defective products. Some states do not allow the exclusion or limitation of incidental or consequential damages, so the above limitation or exclusion may not apply to you. This warranty is DELTA®'s sole warranty and sets forth the customer's exclusive remedy, with respect to defective products; all other warranties, express or implied, whether of merchantability, fitness for purpose, or otherwise, are expressly disclaimed by DELTA®. For further detail of warranty coverage and warranty repair information, visit www.DeltaMachinery.com or call 1-800-223-7278. This warranty gives you specific legal rights and you may have other rights which vary in certain states or provinces.

LATIN AMERICA: This warranty does not apply to products sold in Latin America. For products sold in Latin America, see country specific warranty information contained in the packaging, call the local company or see website for warranty information.

NOTES



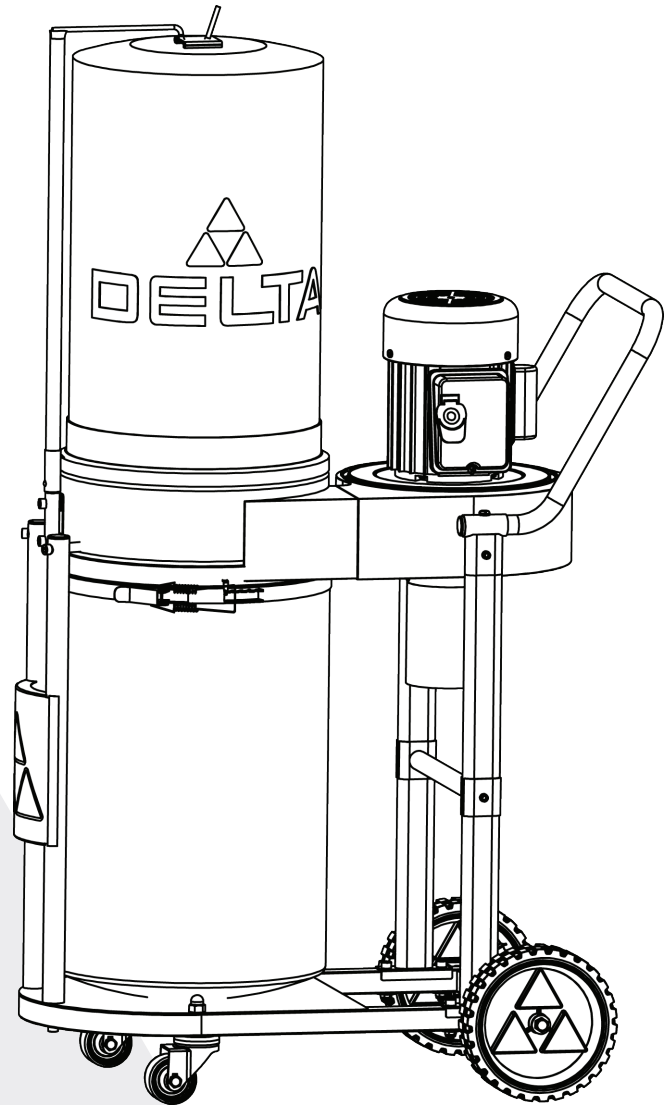
DELTA[®]

POWER EQUIPMENT CORPORATION

1 HP DUST COLLECTOR

Dépoussiéreur 1 HP

Recolector de polvo de 1 HP



Français (21)

Español (41)

Instruction manual
Manuel d'utilisation
Manual de instrucciones

www.DeltaMachinery.com

INSTRUCTIVO DE OPERACIÓN, CENTROS
DE SERVICIO Y PÓLIZA DE GARANTÍA.

▲ ADVERTENCIA LEASE ESTE INSTRUCTIVO
ANTES DE USAR EL PRODUCTO.

50-723 T2



TABLE DES MATIÈRES

CONSIGNES DE SÉCURITÉ IMPORTANTES.....	22	FONCTIONNEMENT	37
LOGOS DE SÉCURITÉ.....	22	DÉPANNAGE	37
RÈGLES DE SÉCURITÉ GÉNÉRALES	23	ENTRETIEN	38
RÈGLES DE SÉCURITÉ SPÉCIFIQUES SUPPLÉMENTAIRES ...	24	REPARATIONS	38
DESCRIPTION FONCTIONNELLE	26	ACCESSOIRES	39
CONTENU DES EMBALLAGES	27	FRANÇAIS	21
MONTAGE	28	ESPAÑOL	41

CONSIGNES DE SÉCURITÉ IMPORTANTES

⚠ AVERTISSEMENT Lisez toutes les instructions d'avertissement et de fonctionnement avant d'utiliser tout outil ou tout équipement. Lors de l'utilisation d'un outil ou équipement, suivez toujours les précautions de sûreté fondamentales pour réduire le risque de blessure physique. L'utilisation, l'entretien ou la modification impropre d'un outil ou équipement peut entraîner de sérieuses blessures et gravement endommager les biens matériels. Les outils et équipements sont conçus pour certaines applications. Ce produit NE devrait être en aucune façon modifié et/ou utilisé pour une application autre que celle pour laquelle il a été conçu.

En cas de questions relatives à l'application du produit, NE PAS l'utiliser jusqu'à ce que vous ayez écrit à DELTA® Power Equipment Corporation et que nous vous ayons conseillé. Nous contacter en ligne à www.Deltamachinery.com ou par courrier postal : Technical Service Manager, DELTA® Power Equipment Corporation, 2651 New Cut Road, Spartanburg, SC 29303.

Les informations concernant une utilisation sûre et correcte de cet outil sont disponibles aux sources suivantes :

- **Power Tool Institute**, 1300 Sumner Avenue, Cleveland, OH 44115-2851 ou en ligne à www.powertoolinstitute.com
- **National Safety Council**, 1121 Spring Lake Drive, Itasca, IL 60143-3201
- **American National Standards Institute**, 25 West 43rd Street, 4 floor, New York, NY 10036 www.ansi.org -ANSI 01.1 Safety Requirements for Woodworking Machines
- **U.S. Department of Labor regulations** www.osha.gov

CONSERVEZ CES INSTRUCTIONS !

LOGOS DE SÉCURITÉ

Il est important que vous lisiez et compreniez ce manuel. Les informations contenues servent à protéger VOTRE SÉCURITÉ et à EMPÊCHER LES PROBLÈMES. Les symboles ci-dessous vous serviront à identifier ces informations.

⚠ DANGER Indique une situation imminente extrêmement dangereuse qui, si elle n'est pas évitée, **entraînera la mort ou une blessure grave.**

⚠ AVERTISSEMENT Indique une situation potentiellement dangereuse qui, si elle n'est pas évitée, **pourrait entraîner la mort ou une blessure grave.**

⚠ ATTENTION Indique une situation potentiellement dangereuse qui, si elle n'est pas évitée, **peut entraîner une blessure mineure ou modérée.**

⚠ ATTENTION Utilisé sans le symbole d'alerte de sécurité indique une situation potentiellement dangereuse qui, **si elle n'est pas évitée, peut entraîner des dommages aux biens matériels.**

⚠ AVERTISSEMENT

Les poussières créées par le ponçage électrique, la coupe, le broyage, le perçage et d'autres activités de construction contiennent des produits chimiques identifiés par l'État de Californie comme facteurs de cancer, d'anomalies congénitales ou d'autres préjudices relatifs à la reproduction. Voici quelques exemples :

- Le plomb des peintures à base de plomb
- La silice cristalline des briques et du ciment et autres matériaux de maçonnerie
- L'arsenic et le chrome du bois d'œuvre traité chimiquement

Votre risque en cas d'exposition à ces substances varie selon la fréquence à laquelle vous effectuez ce genre d'activité. Pour réduire votre exposition à ces produits chimiques, travaillez dans un endroit bien ventilé et avec de l'équipement de protection approuvé, comme des masques anti poussières spécialement conçus pour filtrer les particules microscopiques.

RÈGLES DE SÉCURITÉ GÉNÉRALES

▲ AVERTISSEMENT Le non-respect de ces règles peut provoquer des blessures graves.

- 1. POUR SA SÉCURITÉ, LIRE LE MANUEL D'INSTRUCTIONS AVANT D'UTILISER LA MACHINE.** Apprendre la bonne utilisation et les limites de l'outil, ainsi que les dangers connexes, pour minimiser le risque d'accidents et de blessures.
- 2. PORTER DES DISPOSITIFS DE PROTECTION OCULAIRES ET AUDITIFS, TOUJOURS PORTER DES LUNETTES DE SÉCURITÉ.** Les lunettes ordinaires NE sont PAS des lunettes de sécurité. UTILISER DES ÉQUIPEMENTS DE SÛRETÉ HOMOLOGUÉS. Les dispositifs de protection oculaires doivent être conformes aux normes ANSI Z87.1. Les dispositifs de protection auditive doivent être conformes aux normes ANSI S3.19.
- 3. PORTER UNE TENUE APPROPRIÉE.** Pas de cravates, gants, vêtements amples, bagues, bracelets ni autres bijoux qui peuvent être pris dans les pièces mobiles. L'usage de chaussures antidérapantes est recommandé. Placer les cheveux longs sous une protection.
- 4 NE PAS UTILISER LA MACHINE DANS UN ENVIRONNEMENT DANGEREUX.** L'utilisation d'outils électriques dans des endroits humides ou mouillés peut entraîner des décharges électriques ou une électrocution. Garder la zone de travail bien éclairée pour éviter de trébucher ou d'exposer les doigts, les mains ou les bras à une situation dangereuse.
- 5. GARDER LES OUTILS ET LES MACHINES EN PARFAIT ÉTAT.** Garder les outils affûtés et propres afin d'en obtenir un meilleur et plus sûr rendement. Suivre les instructions pour lubrifier et changer les accessoires. Les outils et les machines mal entretenus peuvent se dégrader davantage, et/ou causer des blessures.
- 6. INSPECTER LES PIÈCES POUR DÉCELER TOUT DOMMAGE.** Avant d'utiliser la machine, vérifier s'il n'y a pas de pièces endommagées. Vérifier l'alignement des pièces mobiles et si ces pièces ne se coincent pas, ne sont pas cassées, ou toute autre condition pouvant affecter leur fonctionnement. Toute pièce ou protection endommagée doit être réparée ou remplacée avec DELTA® ou des pièces de rechange agréées par l'usine. Les pièces endommagées peuvent abîmer davantage la machine et/ou entraîner des blessures.
- 7. GARDER L'AIRE DE TRAVAIL PROPRE.** Des zones de travail et établis encombrés favorisent les accidents.
- 8. GARDER LES ENFANTS ET LES VISITEURS A DISTANCE.** L'atelier est un lieu potentiellement dangereux. Les enfants et les visiteurs peuvent se blesser.
- 9. ÉVITER LES DÉMARRAGES ACCIDENTELS.** S'assurer que l'interrupteur est sur 'OFF' (arrêt) avant de brancher le cordon d'alimentation. En cas de coupure de courant, placer l'interrupteur sur 'OFF'. Un démarrage accidentel peut entraîner des blessures. Ne pas toucher les fiches métalliques de la prise lorsque vous débranchez ou branchez le cordon.
- 10. UTILISER LES DISPOSITIFS DE PROTECTION.** Vérifier que tous les dispositifs de protection sont bien en place, bien fixés et en bon état de marche pour éviter les blessures.
- 11. ENLEVER LES CLÉS DE RÉGLAGE ET CELLES DE SERRAGE AVANT DE METTRE LA MACHINE EN MARCHÉ.** Les outils, les chutes et autres débris peuvent être violemment projetés et blesser.
- 12. UTILISER LA MACHINE APPROPRIÉE.** Ne pas forcer la machine ou l'accessoire à faire un travail pour lequel il n'a pas été conçu. Cela pourrait causer des dommages à la machine et/ou des blessures.
- 13. UTILISER LES ACCESSOIRES RECOMMANDÉS.** L'utilisation d'accessoires non recommandés par DELTA® peut endommager la machine et blesser l'utilisateur.
- 14. UTILISER UNE RALLONGE ÉLECTRIQUE APPROPRIÉE.** S'assurer du bon état de la rallonge. Lors de l'utilisation d'une rallonge, s'assurer que celle-ci est d'un calibre suffisant pour l'alimentation nécessaire à la machine. Une rallonge de calibre insuffisant entraînera une perte de tension et donc une perte de puissance et une surchauffe. Consulter le Tableau sur Les Rallonges Électriques pour obtenir le calibre approprié en fonction de la longueur de la rallonge et de l'ampérage de la machine. S'il y a un doute, utiliser une rallonge d'un calibre supérieur. Plus le chiffre est petit, plus le fil est gros.
- 15. BIEN FIXER LA PIÈCE A TRAVAILLER.** Utilisez des brides ou un étau si nécessaire. La perte de contrôle d'une pièce peut causer des blessures.
- 16. AVANCER LA PIÈCE A TRAVAILLER DANS LE SENS CONTRAIRE A LA ROTATION DE LA LAME, DE LA FRAISE OU DE LA SURFACE ABRASIVE.** L'avance dans l'autre sens peut entraîner une projection violente de la pièce.
- 17. NE PAS FORCER LA MACHINE EN AVANÇANT LA PIÈCE A TRAVAILLER TROP VITE.** Cela pourrait occasionner des dommages à la machine et/ou des blessures.
- 18. NE PAS SE PENCHER AU-DESSUS DE LA MACHINE.** Une perte d'équilibre peut entraîner une chute sur la machine en marche et causer des blessures.
- 19. NE JAMAIS MONTER SUR LA MACHINE.** On peut se blesser gravement si la machine bascule ou si l'on touche accidentellement son outil tranchant.
- 20. NE JAMAIS LAISSER LA MACHINE EN MARCHÉ SANS SURVEILLANCE. COUPER LE COURANT.** Ne pas quitter la machine tant qu'elle n'est pas complètement arrêtée. Un enfant ou un visiteur pourrait se blesser.
- 21. METTRE LA MACHINE A L'ARRÊT (POSITION OFF) ET LA DÉBRANCHER avant d'installer ou d'enlever des accessoires, changer les coupeurs, régler ou changer des paramètres. S'assurer lors de réparations de verrouiller le commutateur de marche en position 'OFF'. Un démarrage accidentel pourrait entraîner des blessures.**
- 22. METTRE L'ATELIER À L'ABRI DES ENFANTS AU MOYEN DE CADENAS, D'INTERRUPTEURS PRINCIPAUX OU EN ENLEVANT LES BOUTONS DES DISPOSITIFS DE MISE EN MARCHÉ.** Le démarrage accidentel de la machine par un enfant ou un visiteur peut entraîner des blessures.
- 23 RESTER VIGILANT, ATTENTIF, ET FAIRE PREUVE DE BON SENS. NE PAS UTILISER LA MACHINE EN CAS DE FATIGUE OU SOUS L'INFLUENCE DE DROGUES, D'ALCOOL OU DE MÉDICAMENTS.** Un instant d'inattention lors de l'utilisation d'outils électriques peut entraîner des blessures graves.
- 24. ▲ AVERTISSEMENT L'UTILISATION DE CET OUTIL PEUT PRODUIRE ET DISPERSER DE LA POUSSIÈRE OU D'AUTRES PARTICULES EN SUSPENSION DANS L'AIR, TELLES QUE LA SCIURE DE BOIS, LA POUSSIÈRE DE SILICIUM CRISTALLIN ET LA POUSSIÈRE D'AMIANTE.** Diriger les particules loin du visage et du corps. Toujours utiliser l'outil dans un espace bien ventilé et prévoir l'évacuation de la poussière. Utiliser un système de dépoussiérage si possible. L'exposition à la poussière peut causer des problèmes de santé graves et permanents, respiratoires ou autres, tels que la silicose (maladie pulmonaire grave) et le cancer, et même la mort de la personne affectée. Éviter de respirer de la poussière et de rester en contact prolongé avec celle-ci. En laissant la poussière pénétrer dans les yeux ou la bouche, ou en la laissant reposer sur la peau, il existe un risque de promouvoir l'absorption de substances toxiques. Toujours porter des dispositifs de protection respiratoire de taille appropriée homologués NIOSH/OSHA, conçus pour l'exposition à la poussière et laver à l'eau et au savon les surfaces corporelles exposées.

RÈGLES DE SÉCURITÉ SPÉCIFIQUES SUPPLÉMENTAIRES

▲ AVERTISSEMENT Le non-respect de ces règles peut provoquer des blessures graves.

▲ AVERTISSEMENT NE PAS UTILISER CET APPAREIL POUR FILTRER LA POUSSIÈRE DE MÉTAL. La combinaison de poussières de bois et de métal peut créer un risque d'explosion ou d'incendie. Cet appareil est conçu pour filtrer dans des milieux non déflagrants.

▲ AVERTISSEMENT NE PAS UTILISER CET APPAREIL POUR DISSIPER DES VAPEURS OU DE LA FUMÉE. Cela peut se solder par des explosions ou un incendie. Le présent dépoussiéreur est conçu pour une utilisation seulement en présence de poussières sèches en suspension. Limiter l'utilisation à des milieux non déflagrants exempts de métaux.

- 1. NE PAS UTILISER L'APPAREIL AVANT QU'IL NE SOIT ENTIÈREMENT ASSEMBLÉ ET INSTALLÉ CONFORMÉMENT AUX DIRECTIVES.** Un appareil mal assemblé peut provoquer des blessures.
- 2. DEMANDER CONSEIL À UN SUPERVISEUR, INSTRUCTEUR, OU TOUTE AUTRE PERSONNE QUALIFIÉE** si l'on ne maîtrise pas parfaitement l'utilisation de l'appareil. La connaissance est synonyme de sécurité.
- 3. SUIVRE TOUS LES CODES DE CÂBLAGE** et les connexions électriques recommandées afin d'éviter tout choc électrique ou électrocution.
- 4. NE PAS TIRER SUR L'APPAREIL PAR LE CORDON D'ALIMENTATION.** Éloigner le cordon d'alimentation d'accessoires ou bords tranchants, de surfaces chaudes, d'huile ou de graisse. Ne pas déposer d'objets lourds sur le cordon d'alimentation. Un cordon d'alimentation endommagé risque de provoquer un choc électrique ou une électrocution.
- 5. APPUYER CET APPAREIL OU LE FIXER SOLIDEMENT À LA SURFACE DE TRAVAIL QUAND IL EST UTILISÉ DE FAÇON PORTABLE** pour éviter les blessures potentielles et/ou d'endommager l'appareil.
- 6. S'ASSURER QUE LES BOUCHES D'ADMISSION ET D'ÉVACUATION SONT DÉGAGÉES AVANT DE DÉMARRER L'APPAREIL.** Des bouches d'admission et d'échappement bouchées peuvent provoquer une explosion et/ou un incendie.
- 7. NE PAS UTILISER LE DÉPOUSSIÉREUR** pour ramasser des liquides inflammables comme l'essence. Ne pas utiliser le dépoussiéreur près de liquides inflammables ou combustibles. Cela peut se solder par une explosion et/ou un incendie.
- 8. ÉLOIGNER LES BRAS, MAINS, ET DOIGTS DU VENTILATEUR.** Éviter tout contact avec des pièces en rotation pour empêcher des blessures.
- 9. NE PAS UTILISER L'APPAREIL SANS LE SAC COLLECTEUR DE POUSSIÈRE EN PLACE ET BIEN FIXÉ.** La sciure et autres débris peuvent créer un risque potentiel d'incendie et/ou d'explosion ainsi que des problèmes respiratoires.
- 10. INSPECTER LE SAC COLLECTEUR DE POUSSIÈRE POUR TOUTE TRACE DE COUPURES OU DÉCHIRURES.** Remplacer les sacs ou tuyaux d'aspirateur endommagés. La sciure et autres débris peuvent créer un risque potentiel d'incendie et/ou d'explosion ainsi que des problèmes respiratoires.
- 11. TOUJOURS INSTALLER DES CAPUCHONS D'ADMISSION SUR LES ORIFICES INUTILISÉS.** Les débris risquent d'endommager l'appareil et de provoquer une blessure.
- 12. NE PAS ESSAYER DE RETIRER OU DE REMPLACER** le ou les sacs collecteurs de poussière alors que l'appareil est branché à la prise. Des pales de ventilateur exposées peuvent provoquer de graves blessures.
- 13. MAINTENIR L'APPAREIL EN EXCELLENTE CONDITION.** Des filtres bouchés peuvent accroître le potentiel d'incendie ou d'explosion. Suivre toutes les directives pour le changement et les nettoyage de filtres.
- 14. ENTREPOSER L'APPAREIL DANS UN ENDROIT** qui élimine le risque de dommages potentiels au cordon d'alimentation. Un cordon d'alimentation endommagé risque de provoquer un choc ou une électrocution. Ranger le cordon d'alimentation de façon sécuritaire pour empêcher le risque de trébuchement.
- 15. ÉTEINDRE L'APPAREIL ET LE DÉBRANCHER** avant d'installer ou de retirer tout accessoire, avant d'ajuster ou de modifier les réglages, ou lors de réparations. Un démarrage accidentel peut provoquer des blessures graves.
- 16. ÉTEINDRE L'APPAREIL, le débrancher, et nettoyer** la table/l'espace de travail avant de quitter la zone.

CONSERVER CES INSTRUCTIONS.

Les consulter souvent et s'en servir pour instruire les autres utilisateurs.

CONNEXIONS ÉLECTRIQUES

Un circuit électrique séparé doit être utilisé pour l'appareil. Ce circuit doit utiliser un câble de calibre 12 au minimum et doit être protégé par un fusible temporisé de 20 A. Si vous utilisez une rallonge, utilisez uniquement des rallonges à trois fils avec des fiches de mise à la terre à trois broches et une prise correspondante qui acceptera la fiche de la machine. Avant de raccorder la machine à l'alimentation, s'assurer que le(s) interrupteur(s) sont sur la position « OFF » (arrêt) et que le courant électrique possède les mêmes caractéristiques que celles indiquées sur la machine. Tous les branchements doivent établir un bon contact. Si l'appareil fonctionne à basse tension, il peut être endommagé.

⚠ DANGER Ne pas exposer l'appareil à la pluie ou l'utiliser dans un endroit humide.

CARACTÉRISTIQUES TECHNIQUES DU MOTEUR

Le câblage de la machine est conçu pour une tension de 120 volts à 60 Hz de courant alternatif. Avant de raccorder la machine à l'alimentation, s'assurer que l'interrupteur est sur la position « OFF » (arrêt).

INSTRUCTIONS DE MISE À LA TERRE

⚠ DANGER Cet appareil doit être mis à la terre lorsqu'il est utilisé pour protéger l'opérateur contre les chocs électriques.

1. Machines mises à la terre et munies d'un cordon électrique :

En cas de mauvais fonctionnement ou de panne, la mise à la terre fournit un chemin de moindre résistance au courant électrique visant à réduire le risque de choc électrique. Cet appareil est muni d'un cordon électrique doté d'un conducteur de terre et d'une fiche de mise à la terre. La fiche doit être branchée sur une prise correspondante qui soit correctement installée et mise à la terre, conformément aux codes et règlements locaux.

Ne pas modifier la fiche fournie. Si elle ne rentre pas dans la prise, faites installer une prise adéquate par un électricien qualifié. Le raccordement inapproprié du conducteur de terre de l'équipement peut provoquer un choc électrique. Le fil conducteur avec isolation et doté d'une surface extérieure verte, avec ou sans rayures jaunes, est le conducteur de terre. Si la réparation ou le remplacement du cordon électrique ou de la fiche s'avère nécessaire, ne pas raccorder le conducteur de terre de l'équipement à une borne sous tension.

Si les consignes de mise à la terre ne sont pas complètement comprises ou en cas de doute concernant la mise à la terre de l'appareil, se renseigner auprès d'un électricien ou du personnel de service agréés.

Utiliser uniquement des cordons à 3 fils avec des fiches de mise à la terre à 3 broches et des prises adaptées aux 3 fiches de la machine, comme illustré en Figure A. Réparez ou remplacez immédiatement tout cordon endommagé ou usé.

2. Machines raccordées à un cordon et mises à la terre, destinées à une utilisation sur un circuit d'alimentation ayant une puissance nominale inférieure à 150 volts :

Si la machine doit être utilisée sur un circuit avant une sortie semblable à celle illustrée à la Fig. A, elle dispose d'une fiche de terre ressemblant à celle illustrée en Fig. A. Un adaptateur temporaire, qui ressemble à l'adaptateur illustré en Fig. B, peut être utilisé pour connecter cette fiche à un réceptacle à 2 conducteurs correspondant comme indiqué à la Fig. B si une sortie correctement mise à la terre n'est pas disponible. L'adaptateur temporaire doit uniquement être utilisé jusqu'à ce qu'une sortie correctement mise à la terre puisse être installée par un électricien qualifié. L'oreille verte rigide, la cosse et autres semblables dépassant de l'adaptateur doivent être connectés à une mise à la terre permanente comme un boîtier de sortie correctement mise à la terre. Quand l'adaptateur est utilisé, il doit toujours être maintenu en place avec une vis métallique.

REMARQUE : Au Canada, l'utilisation d'un adaptateur temporaire n'est pas autorisée par le Code canadien de l'électricité.

⚠ DANGER Dans tous les cas, assurez-vous que le réceptacle en question est bien relié à la terre. En cas de doute, faites vérifier la prise par un électricien qualifié.

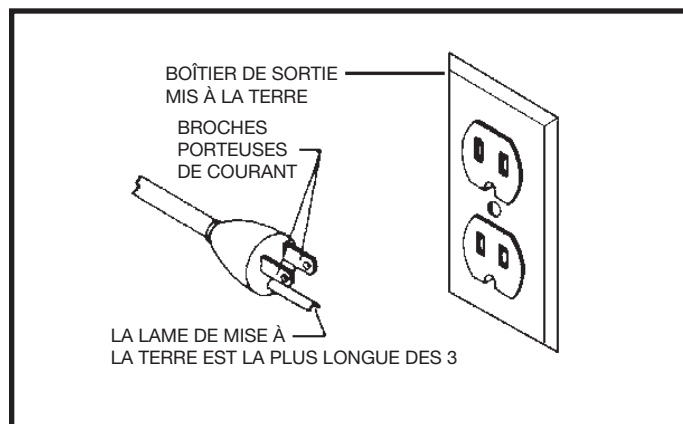


FIGURE A

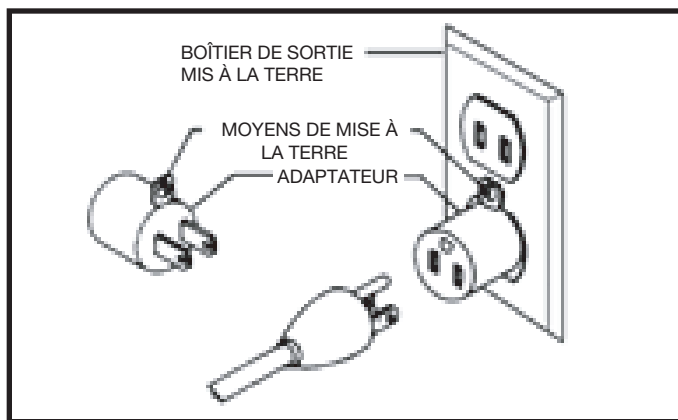


FIGURE B

3. Fonctionnement monophasé 240 volts :

Le moteur fourni avec votre machine fonctionne sous deux tensions, 120/240 volts. Il est expédié prêt à l'utilisation en mode 120 volts. Cependant, il peut être converti pour le fonctionnement sur 240 volts.

La conversion doit être exécutée par un électricien qualifié, sinon vous pouvez apporter votre machine au Centre de service Delta autorisé. Lorsque la conversion est complétée, la machine doit être conforme au Code électrique national et à tous les codes et règlements locaux.

La machine se convertit en reconfigurant le câblage du moteur à 240 volts, en installant une fiche de 240 volts sur le cordon d'alimentation et en remplaçant l'interrupteur par un autre adapté au fonctionnement sous 240 volts.

Assurez-vous que la fiche de 240 volts est uniquement utilisée avec une sortie ayant la même configuration que la fiche illustrée à la Fig. C. Aucun adaptateur ne doit être utilisé avec la fiche de 240 volts.

⚠ AVERTISSEMENT Dans tous les cas, assurez-vous que le réceptacle en question est bien relié à la terre. Si vous n'êtes pas certain, faites vérifier le réceptacle par un électricien qualifié.

RALLONGES

⚠ AVERTISSEMENT Utilisez des rallonges appropriées. Assurez-vous que la rallonge est en bon état et qu'il s'agit d'une rallonge à 3 fils avec une fiche de mise à la terre à 3 broches et d'un réceptacle correspondant à la fiche de l'appareil. Lorsque vous utilisez une rallonge, assurez-vous qu'elle soit de calibre suffisamment élevé pour assurer l'alimentation de l'appareil. Une rallonge d'un calibre trop petit provoquera une chute de tension, entraînant une perte de puissance et une surchauffe. Le tableau D-1 ou D-2 indique le bon calibre à utiliser en fonction de la longueur de la rallonge. En cas de doute, utiliser le calibre immédiatement supérieur. Plus le numéro de calibre est petit, plus le cordon est épais.

CALIBRE MINIMUM POUR RALLONGE			
CALIBRES RECOMMANDÉS POUR UTILISATION SUR DES APPAREILS ÉLECTRIQUES STATIONNAIRES			
Intensité	Volts	Longueur totale du cordon en pieds	Calibre de la rallonge
0-6	120	jusqu'à 25	18 AWG
0-6	120	25-50	16 AWG
0-6	120	50-100	16 AWG
0-6	120	100-150	14 AWG
6-10	120	jusqu'à 25	18 AWG
6-10	120	25-50	16 AWG
6-10	120	50-100	14 AWG
6-10	120	100-150	12 AWG
10-12	120	jusqu'à 25	16 AWG
10-12	120	25-50	16 AWG
10-12	120	50-100	14 AWG
10-12	120	100-150	12 AWG
12-16	120	jusqu'à 25	14 AWG
12-16	120	25-50	12 AWG
12-16	120	IL EST DÉCONSEILLÉ DE DÉPASSER 50 PIEDS (15,24 M).	

Fig. D-1

CALIBRE MINIMUM POUR RALLONGE			
CALIBRES RECOMMANDÉS POUR UTILISATION SUR DES APPAREILS ÉLECTRIQUES STATIONNAIRES			
Intensité	Volts	Longueur totale du cordon en pieds	Calibre de la rallonge
0-6	240	jusqu'à 50	18 AWG
0-6	240	50-100	16 AWG
0-6	240	100-200	16 AWG
0-6	240	200-300	14 AWG
6-10	240	jusqu'à 50	18 AWG
6-10	240	50-100	16 AWG
6-10	240	100-200	14 AWG
6-10	240	200-300	12 AWG
10-12	240	jusqu'à 50	16 AWG
10-12	240	50-100	16 AWG
10-12	240	100-200	14 AWG
10-12	240	200-300	12 AWG
12-16	240	jusqu'à 50	14 AWG
12-16	240	50-100	12 AWG
12-16	240	IL EST DÉCONSEILLÉ DE DÉPASSER 100 PIEDS (30,50 M).	

Fig. D-2

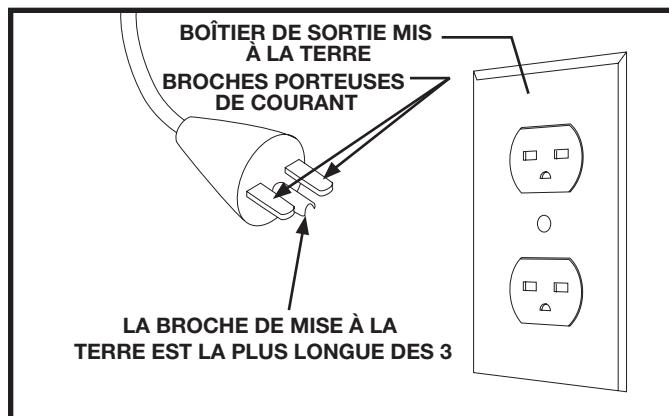


FIGURE C

DESCRIPTION FONCTIONNELLE

AVANT-PROPOS

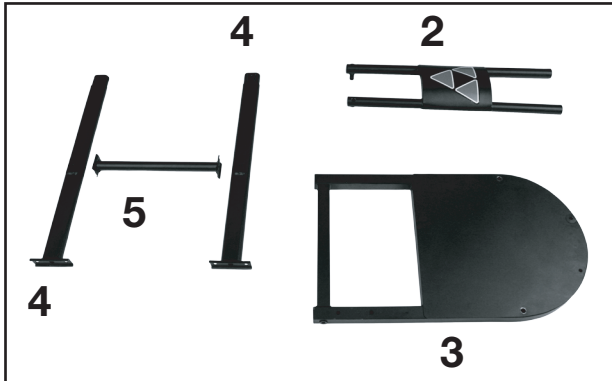
Le dépoussiéreur de DELTA®, modèle industriel 50-723 T2, se raccordera aux machines de travail du bois compatibles avec un tuyau de 10,16 cm (4 pouces) de diamètre. Il est livré avec un sac filtrant de 2 micromètre et deux sacs collecteurs plastiques de 152,4 micromètres (6 mils).

REMARQUE : La photo de la couverture du manuel illustre le modèle actuellement en production. Toutes les autres photos contenues dans ce manuel ne sont que des représentations et peuvent ne pas représenter l'étiquetage d'actualité ou les accessoires inclus. Elles ne servent qu'à illustrer l'aspect technique.

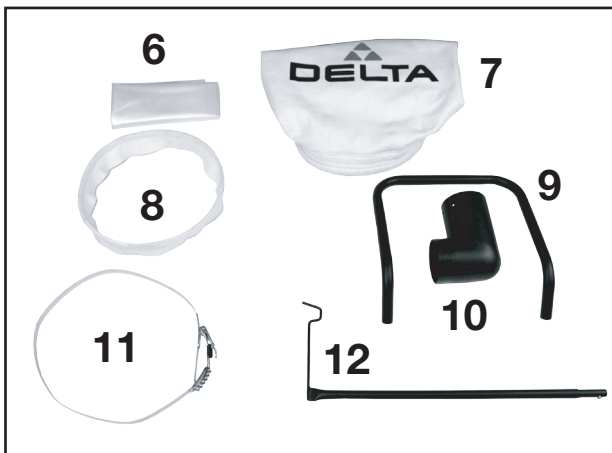
CONTENU DES EMBALLAGES



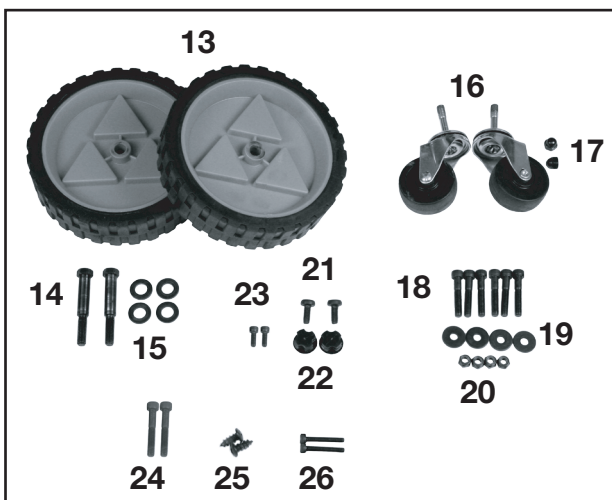
1. Module du boîtier de souffleur



2. Module frontal de support
3. Cadre de la base
4. Support arrière du boîtier du souffleur (2)
5. Support transversal arrière du socle



6. Sac collecteur de poussière en PE
7. Sac de filtrage de la poussière
8. Bande de fixation
9. Poignée
10. Adaptateur en Y de l'entrée
11. Anneau du sac collecteur de poussière
12. Module de suspension (2)



13. Roue arrières (2)
14. Boulon à épaulement à tête hex. M10 (2)
15. Rondelle plate M12 (4)
16. Roulette pivotante (2)
17. Écrou borgne (2)
18. Vis à tête creuse hex. M8x45 (6)
19. Rondelle plate M8 (4)
20. Écrou de blocage M8 (4)
21. Vis autotaraudeuse Phillips à tête ronde (2)
22. Capuchon d'extrémité de tube (2)
23. Vis à tête creuse hex. M6x10 (2)
24. Vis à tête creuse hex. M8x55 (2)
25. Vis Phillips à tête ronde M5 (2)
26. Vis à tête creuse hex. M6x40 (2)

MONTAGE

⚠ AVERTISSEMENT Veuillez pour votre sécurité ne pas brancher la machine sur l'alimentation électrique avant son montage complet et d'avoir parfaitement assimilé le manuel d'utilisation.

DURÉE APPROXIMATIVE DU MONTAGE

30 minutes à 1 heure

⚠ ATTENTION Cette machine est lourde. Deux personnes ou plus sont nécessaires pour la soulever.

ROULETTES

1. Placer le cadre de la base sur son côté (Fig1).
2. Insérer la partie fileté de la roulette dans le trou perforé sur le partie inférieure du cadre de la base.
3. Serrer l'écrou borgne (17).
4. Répéter l'opération pour l'autre roulette.

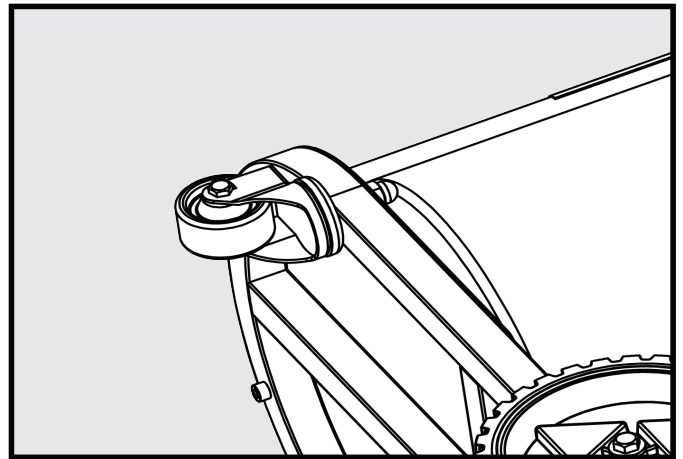


FIGURE 1

ROUES ARRIÈRES

1. Placer le cadre de la base droit.
2. Insérer la rondelle plate M12 (15) sur le boulon à épaulement (14) (Fig 2).
3. Insérer le boulon à épaulement (14) au travers de la roue arrière (13).
4. Placer une autre rondelle plate M12 (15) entre la roue et la base.
5. Serrer le boulon à épaulement (14).
6. Répéter l'opération pour l'autre roue.

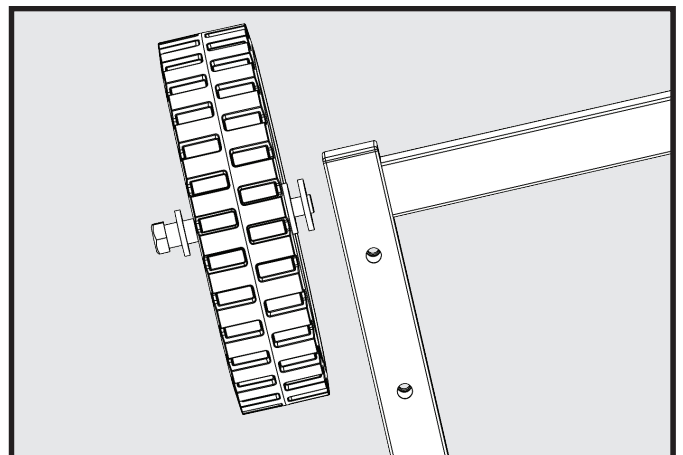


FIGURE 2

MONTER LE SUPPORT ARRIÈRE DU BOÎTIER DE SOUFFLEUR

1. Placer le cadre de la base sur le côté.
2. Aligner le support arrière du boîtier de souffleur sur les trous perforés.
3. Insérer une vis à tête creuse hex M8x45mm (18) dans le support de la base et le cadre de la base tel illustré.
4. Placer une rondelle plate M8 (19) et un écrou de blocage M8 (20) sur le côté inférieur (Fig3).
5. Serrer l'écrou de blocage.
6. Répéter l'opération pour l'autre côté.

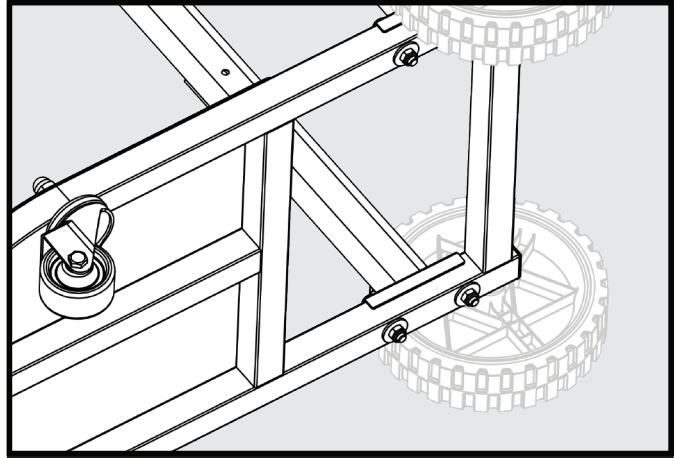


FIGURE 3

MONTER LE MODULE DE SUPPORT FRONTAL

1. Placer l'unité sur le côté.
2. Aligner le module de support frontal sur les trous perforés à l'avant du cadre de la base.
3. Insérer une vis à tête creuse hex M8x45mm (18) dans le trou du cadre de la base et la visser dans le support frontal (Fig4).
4. Serrer la vis.
5. Répéter l'opération pour l'autre côté.

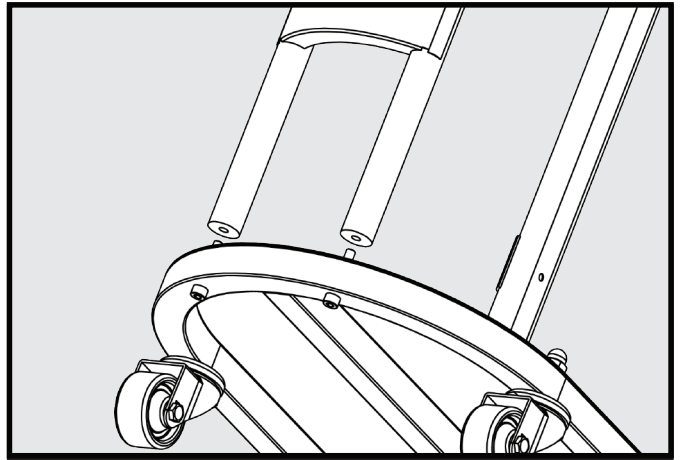


FIGURE 4

MONTER LE SUPPORT TRANSVERSAL ARRIÈRE DU SOCLE

1. Placer l'unité droite.
2. Aligner le support transversal arrière du socle sur le trou perforé du support arrière du boîtier de souffleur.
3. Insérer une vis à tête creuse hex M6 (26) dans le trou du support arrière de la base et la visser dans le support transversal (Fig5).
4. Serrer la vis.
5. Répéter l'opération pour l'autre côté.

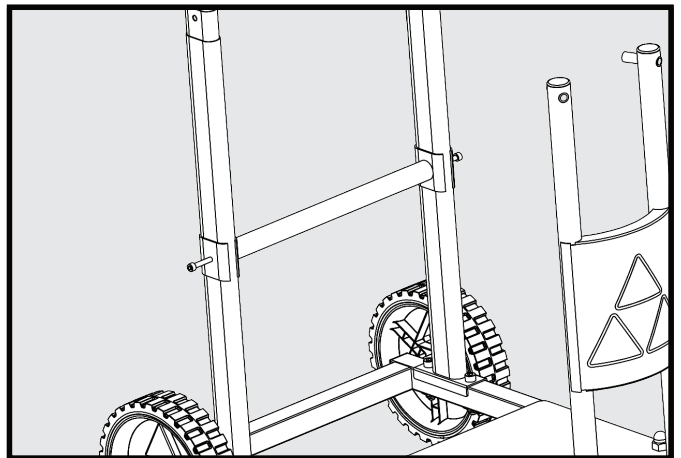


FIGURE 5

MONTER LE MODULE MOTEUR-SOUFFLEUR

REMARQUE : DEUX PERSONNES SONT NÉCESSAIRES POUR CETTE OPÉRATION

1. Placer le module moteur-souffleur sur le socle.
2. Aligner les attaches du boîtier du souffleur, à l'extrémité du moteur, sur les supports arrière du boîtier du souffleur.
3. Les supports arrière du boîtier du souffleur viennent se placer à l'intérieur des attaches du boîtier du souffleur, tel illustré (Fig6).

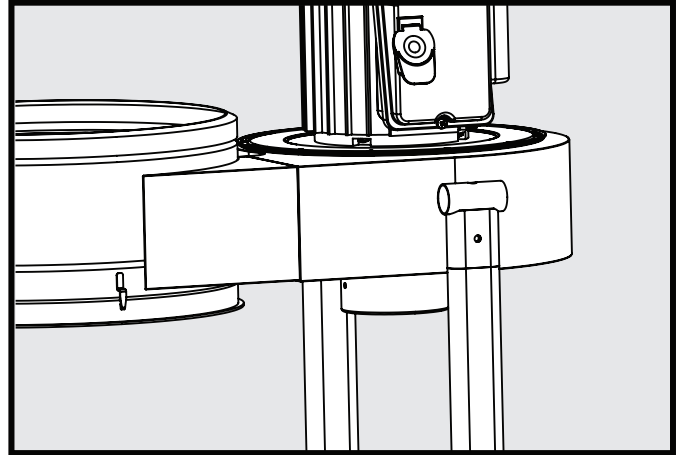


FIGURE 6

4. Aligner les trous du module de support frontal sur le module de boîtier du souffleur (Fig 7).

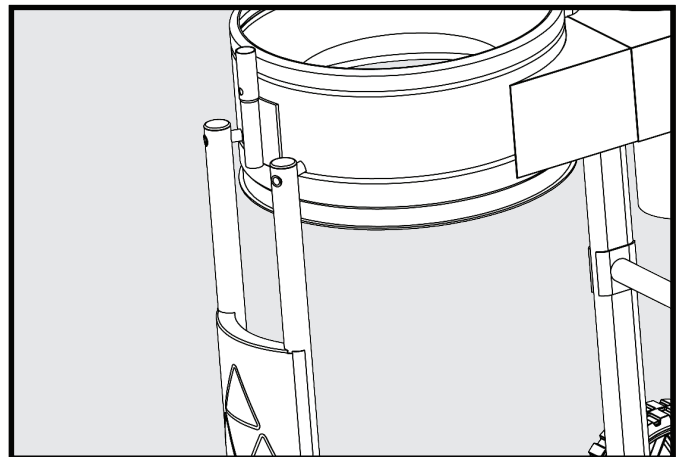


FIGURE 7

5. Insérer une vis à tête creuse hex M8x55mm (24) dans le trou et la visser dans le boîtier du souffleur (Fig 8).
6. Serrer la vis.
7. Répéter l'opération pour l'autre côté.

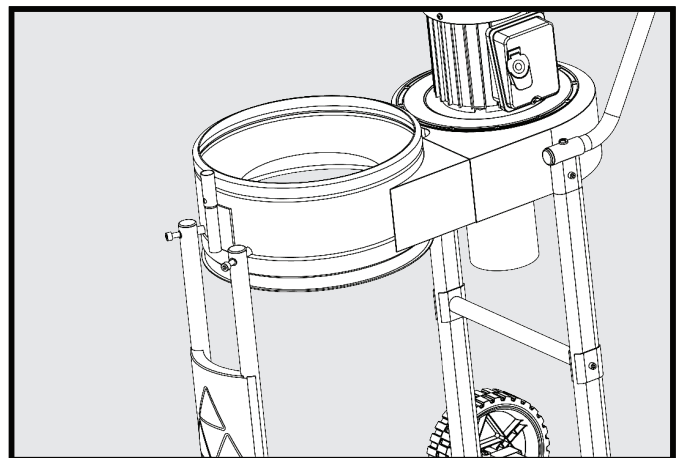


FIGURE 8

MONTAGE (suite)

- Placer une vis à tête creuse hex M6 (23) dans le trou de l'attache du boîtier du souffleur et la visser dans le support arrière du boîtier du souffleur (Fig9).
- Serrer la vis.
- Répéter l'opération pour l'autre côté.

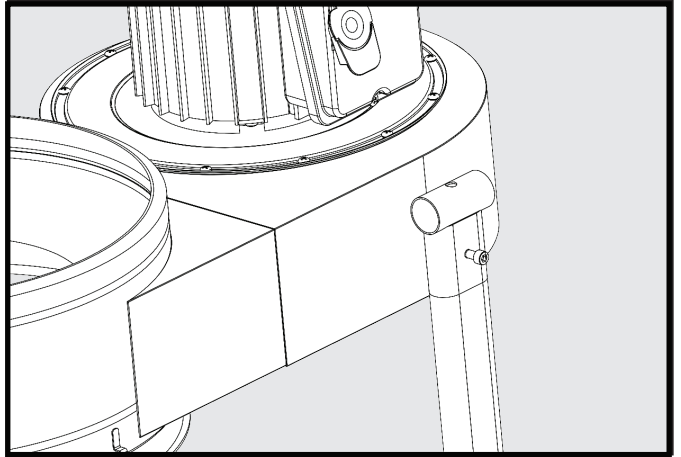


FIGURE 9

MONTER LA POIGNÉE

- Insérer la poignée dans les deux attaches du boîtier du souffleur (Fig10).
- Aligner les trous de la poignée sur les trous supérieurs des attaches du boîtier du souffleur.
- Visser une vis autotaraudeuse Phillips à tête ronde M8 (21) de chaque côté (Fig11).
- Insérer un capuchon d'extrémité de tube sur chaque extrémité de la poignée.
- S'assurer que les capuchons sont bien en place (Fig12).
- Répéter l'opération pour l'autre côté.

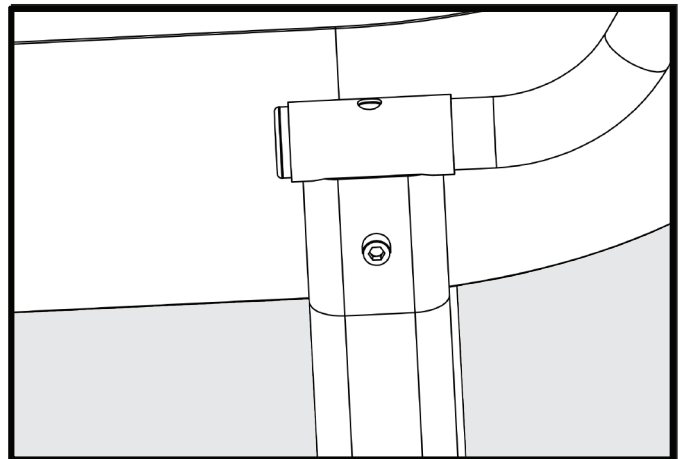


FIGURE 10

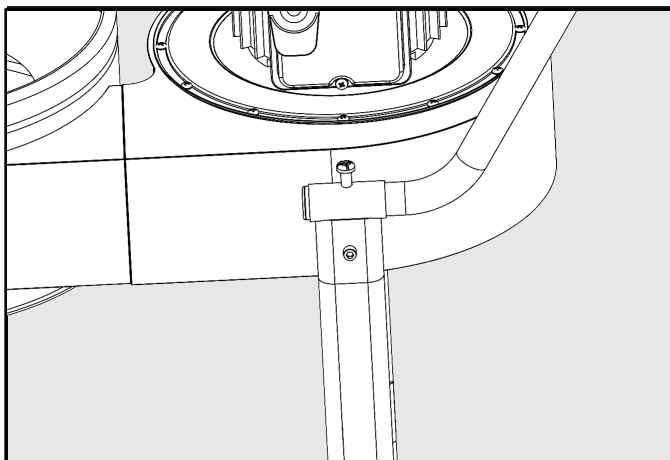


FIGURE 11

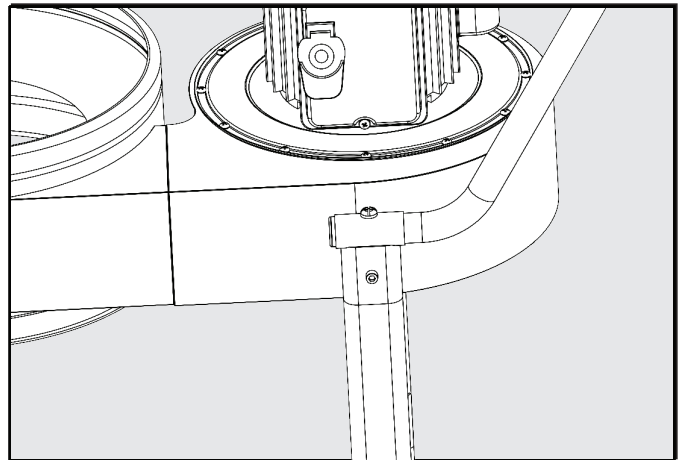


FIGURE 12

MONTER LES ORIFICES D'ADMISSION DE LA POUSSIÈRE

⚠ AVERTISSEMENT Débrancher la machine de la source d'alimentation électrique !

1. Placer l'adaptateur d'admission sur l'orifice d'admission de la poussière tel illustré en Fig. 13 à l'opposé du moteur. S'assurer que l'adaptateur d'admission s'adapte sur la bride d'entrée et que les trous de l'adaptateur d'admission et ceux du boîtier soient alignés.
2. Insérer les vis (25).
3. Serrer les vis des deux côtés.

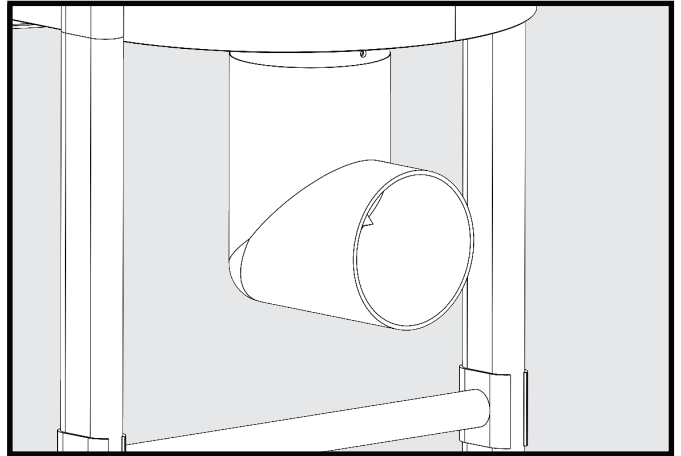


FIGURE 13

REMARQUE:

Ne fixez pas directement tuyau pour entrée sans ayant l'adaptateur, coude à 90 °, en place.

Ne pas utiliser l'adaptateur pourrait causer des dommages à affecter l'écoulement d'air et le tuyau dans le collecteur.

FIXATION DU SAC COLLECTEUR DE POUSSIÈRE

⚠ AVERTISSEMENT Débrancher la machine de la source d'alimentation !

A. UTILISATION DE L'ANNEAU FLEXIBLE RECOUVERT DE TISSU :

1. Placer l'anneau de retenue du sac recouvert (8) de tissu dans l'ouverture du sac collecteur de poussière en plastique transparent (6). Enrouler environ 15 cm (6 po) du sac autour de l'anneau de retenue.
2. Insérer le sac dans le grand trou du module moteur-suffleur et insérer l'anneau de retenue dans la rainure inférieure. Au besoin, plier l'anneau pour l'insérer en place. L'anneau de retenue s'insérera dans la partie inférieure du boîtier du souffleur à l'identique avec l'installation du sac Micron dans la partie supérieure du boîtier du souffleur. Se référer à Fig 19 et Fig 20 page 15.
3. Tirer légèrement sur le sac pour éliminer tout mou et s'assurer qu'il soit bien ajusté pour empêcher qu'il ne se détache en cours de dépoussiérage.



FIGURE 14

B. UTILISATION D'UNE BRIDE MÉTALLIQUE DE SAC :

Le sac plastique peut aussi s'attacher à l'extérieur du dépoussiéreur à l'aide de la bride fournie Fig 15.

1. Placer le sac sous les crochets.
2. Insérer la bride autour du haut du sac plastique (6) et enrouler environ 10 à 15 cm (4 à 6 pouces) du sac sur la bride (11).
3. Serrer solidement la bride en s'assurant qu'elle n'est pas au dessus des crochets.



FIGURE 15

MONTAGE (suite)

FIXATION DU SAC FILTRANT SUPÉRIEUR

⚠ AVERTISSEMENT Débrancher la machine de la source d'alimentation !

1. Insérer le crochet de suspension en forme de tige à l'endroit prévu au sommet du sac filtrant (Fig 16). (12)



FIGURE 16

2. Insérer le module de tige de suspension dans l'attache de suspension en s'assurant que le dispositif de blocage est bien utilisé (Fig 17).



FIGURE 17

MONTAGE (suite)

3. Insérer le module de tige de suspension (7) dans l'attache de suspension en s'assurant que le dispositif de blocage est bien utilisé (Fig 18).

REMARQUE : L'anneau du sac doit être complètement inséré dans la rainure du boîtier pour assurer une bonne étanchéité sans fuites.



FIGURE 18



FIGURE 19

RACCORD DU TUYAU À L'ORIFICE D'ADMISSION

⚠ AVERTISSEMENT Débrancher la machine de la source d'alimentation !

Le dépoussiéreur modèle 50-723 T2 comporte un orifice de 10,16 cm (4 pouces) pour le dépoussiérage. Pour l'assemblage du tuyau collecteur (**VENDU SÉPARÉMENT**) :

Attacher lâchement le collier de serrage du tuyau autour d'une extrémité du tuyau flexible (**tuyau vendu séparément**) et raccorder le tuyau à l'orifice d'admission de la poussière. Serrer le collier de serrage tel illustré en Fig 20. Assembler l'autre collier de serrage à l'autre extrémité du tuyau flexible et le raccorder à la machine de travail du bois.

REMARQUE : Ne pas utiliser le dépoussiéreur sans avoir attaché le tuyau collecteur à l'adaptateur d'admission.

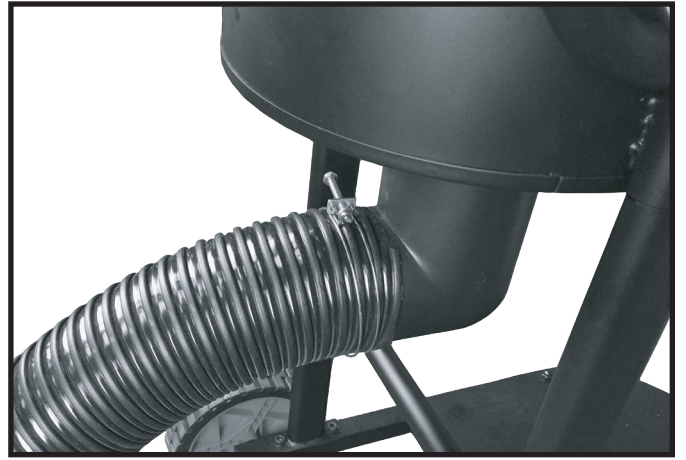


FIGURE 20

FONCTIONNEMENT

CONTRÔLES DE FONCTIONNEMENT ET RÉGLAGES

⚠ AVERTISSEMENT Pour la sécurité de l'opérateur, ne pas utiliser l'appareil avec des orifices d'admission de la poussière sans capuchons ou tuyaux. Le ventilateur logé à l'intérieur du boîtier du souffleur est accessible par l'orifice d'admission de la poussière et peut s'avérer dangereux. Toujours porter des vêtements adéquats. Ne pas porter de bijoux et éloigner les doigts et tout objet étranger de l'orifice d'admission de la poussière. Suivre les consignes en matière de sécurité du présent manuel.

DÉMARRAGE ET ARRÊT DU DÉPOUSSIÉREUR

1. Le commutateur de démarrage/d'arrêt Fig. 21 est situé à l'avant du boîtier moteur. Pour démarrer l'appareil, relever le commutateur sur "ON" (marche).
2. Pour arrêter la machine, abaisser le commutateur sur "OFF" (arrêt).

⚠ AVERTISSEMENT S'assurer que le commutateur est sur "OFF" avant de brancher le cordon d'alimentation. En cas de coupure de courant, placer le commutateur sur "OFF". Un démarrage inopiné peut entraîner des blessures.

VERROUILLAGE DU COMMUTATEUR SUR "OFF"

IMPORTANT : lorsque l'appareil n'est pas utilisé, bloquer le commutateur pour empêcher toute utilisation non autorisée. Bloquer la machine en retirant le dispositif de sécurité du commutateur (Fig. 21). Lorsque ce dispositif est retiré (Fig. 22), le commutateur sera bloqué. Cependant, si ce dispositif est retiré lors du fonctionnement du dépeussièreur, la machine peut être arrêtée, mais ne peut être redémarrée sans réinsérer la clé dans le dispositif.



FIGURE 21



FIGURE 22

⚠ AVERTISSEMENT Lors de l'utilisation du dépeussièreur, ne pas aspirer des substances qui brûlent, qui couvrent un feu ou qui émettent de la fumée comme des allumettes, cigarettes ou cendres chaudes.

⚠ AVERTISSEMENT Ne pas utiliser l'appareil pour aspirer des matériaux combustibles déflagrants comme du charbon, du grain ou autre matériel fin combustible.

⚠ AVERTISSEMENT Ne pas aspirer des matières dangereuses, toxiques ou cancérigènes comme l'amiante, un pesticide ou des résidus de peinture au plomb.

DÉPANNAGE

Pour toute assistance avec la machine, visiter notre site web à www.DeltaMachinery.com pour une liste de centres de maintenance ou appeler la ligne d'aide de DELTA® Power Equipment Corporation au 1-800-223-7278.

ENTRETIEN

⚠ AVERTISSEMENT Pour réduire le risque de blessures, éteignez la machine et débranchez-la de la source d'alimentation avant de la nettoyer ou la réparer, installer et retirer des accessoires, ou effectuer des réglages et réparations. Un démarrage inopportun peut provoquer des blessures.

GARDER LA MACHINE PROPRE

Souffler périodiquement de l'air comprimé sec à l'intérieur de tous les conduits d'air. Toutes les pièces en plastique doivent être nettoyées avec un chiffon doux humide.

⚠ AVERTISSEMENT N'utilisez **JAMAIS** de solvant pour nettoyer les pièces en plastique. Il pourrait dissoudre ou endommager les biens matériels. Portez des équipements de sécurité certifiés pour la protection oculaire, auditive et respiratoire lors de l'utilisation d'air comprimé.

ÉCHEC AU DÉMARRAGE

Si votre machine ne démarre pas, assurez-vous que les broches de la fiche du cordon sont bien en contact dans la prise. Vérifier également que les fusibles ne sont pas grillés ou que le disjoncteur ne s'est pas déclenché.

REPARATIONS

PIÈCES DE RECHANGE

Utiliser seulement des pièces de rechange identiques. Pour obtenir une liste des pièces de rechange ou en commander, consulter notre site internet à www.DeltaMachinery.com. Il est également possible de commander des pièces auprès d'une succursale d'usine ou de composer le 1-800-223-7278 pour le service à la clientèle et recevoir ainsi une assistance personnalisée de techniciens bien formés.

REPLACEMENT GRATUIT DE LA SIGNALÉTIQUE D'AVERTISSEMENT

Si vos étiquettes de mise en garde sont devenues illisibles ou sont manquantes, composez le 1-800-223-7278 pour un remplacement gratuit.

ENTRETIEN ET RÉPARATION

Tous les outils de qualité finissent par demander un entretien et/ou un changement de pièces. Pour tout renseignement à propos de DELTA® Power Equipment Corporation, ses succursales d'usine ou un centre de service autorisé sous garantie, consulter notre site internet à www.DeltaMachinery.com ou composer le 1-800-223-7278 pour le service à la clientèle. Toutes les réparations effectuées dans nos centres de réparation sont entièrement garanties contre les défauts de matériaux et de main-d'œuvre. Nous ne pouvons garantir les réparations effectuées en partie ou totalement par d'autres. En appelant ce numéro, vous pouvez également obtenir des réponses aux questions les plus fréquemment posées.

Pour de plus amples renseignements par courrier postal, écrire à DELTA® Power Equipment Corporation, 2651 New Cut Road, Spartanburg, SC 29303, U.S.A.–à l'attention de : Technical Service Manager. S'assurer d'indiquer toutes les informations figurant sur la plaque signalétique de l'outil (numéro du modèle, type, numéro de série, code date, etc.).

ACCESSORIES

⚠ AVERTISSEMENT Étant donné que les accessoires autres que ceux proposés par DELTA® n'ont pas été testés avec ce produit, leur utilisation pourrait s'avérer dangereuse. Pour une utilisation plus sûre, seuls les accessoires recommandés par DELTA® devraient être utilisés avec ce produit.

Une gamme complète d'accessoires est disponible auprès de votre fournisseur DELTA®, des centres de service d'usine DELTA® et des centres de service autorisés DELTA®." Rendez-vous sur notre site internet www.DeltaMachinery.com pour obtenir un catalogue en ligne ou pour connaître le nom du fournisseur le plus proche de chez vous.

GARANTIE

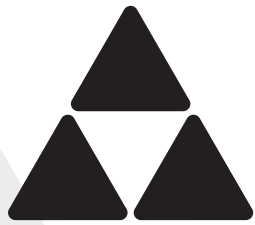
Pour enregistrer votre outil pour le service sous garantie, veuillez visiter notre site internet www.DeltaMachinery.com.

Garantie limitée de cinq ans pour les produits neufs

DELTA® réparera ou remplacera, à ses frais et à sa discrétion, toute nouvelle machine DELTA®, pièce de machine ou accessoire de machine qui, en usage normal, présente un vice de fabrication ou de matériel, à condition que le client retourne le produit par port prépayé à un centre de service du fabricant DELTA® ou un centre de service autorisé avec la preuve d'achat du produit dans les cinq ans et donne DELTA® la possibilité raisonnable de vérifier le défaut allégué en réalisant une inspection. Pour tous les produits DELTA® remis à neuf, la période de garantie est de 180 jours. DELTA® ne sera pas tenue responsable de tout défaut confirmé qui découlerait de l'usure normale, d'une mauvaise utilisation, d'abus ou de réparations ou d'altérations faites ou expressément autorisées par une personne autre qu'un centre de service ou représentant DELTA® autorisé. En aucun cas, DELTA® ne sera tenue responsable des dommages accessoires ou indirects résultant de produits défectueux. Certains états n'autorisent pas l'exclusion ou la limitation des dommages accessoires ou indirects, donc la limitation ou l'exclusion susmentionnées peuvent ne pas s'appliquer à vous. Cette garantie est l'unique garantie de DELTA® et définit par la présente le recours exclusif du client en ce qui concerne les produits défectueux toutes les autres garanties, expresses ou implicites, de qualité marchande, de conformité aux besoins ou autre, sont formellement rejetées par DELTA®. Pour plus de détails sur la couverture de la garantie et les réparations visées par la garantie, composez le 1-800-223-7278. La présente garantie vous donne des droits légaux précis et vous pouvez avoir d'autres droits qui varient selon les États et les provinces.

AMÉRIQUE LATINE : La présente garantie ne s'applique pas aux produits vendus en Amérique latine. Pour les produits vendus en Amérique latine, consultez les informations de garantie relatives au pays en question contenues dans l'emballage, appelez la société locale ou consultez la section garantie sur le site Web.

NOTES



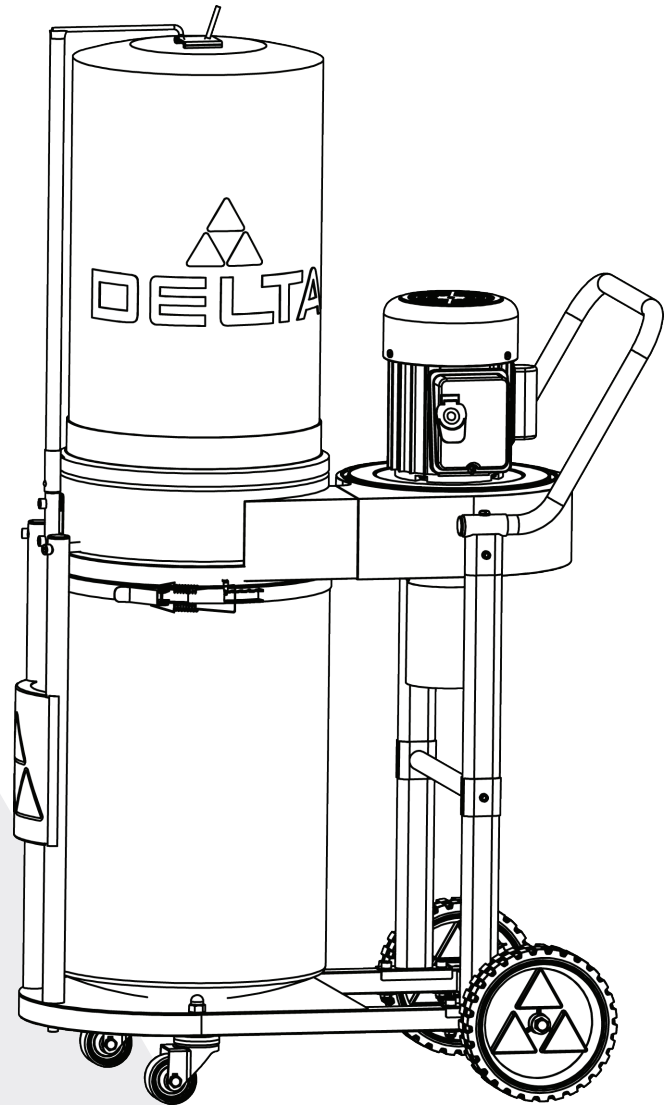
DELTA[®]

POWER EQUIPMENT CORPORATION

1 HP DUST COLLECTOR

1 HP Dépoussiéreur

Recolector de polvo de 1 HP



Français (21)

Español (41)

Instruction manual
Manuel d'utilisation
Manual de instrucciones

www.DeltaMachinery.com

MANUAL DE OPERACIONES, CENTROS
DE SERVICIO Y PÓLIZA DE GARANTÍA.

▲ ADVERTENCIA LEA ESTE MANUAL ANTES
DE USAR EL PRODUCTO.

50-723 T2



TABLA DE CONTENIDO

INSTRUCCIONES IMPORTANTES DE SEGURIDAD	42	MANEJO	57
GUÍA DE SEGURIDAD - DEFINICIONES	42	SOLUCIÓN DE PROBLEMAS.....	57
NORMAS GENERALES DE SEGURIDAD	43	MANTENIMIENTO.....	58
NORMAS ESPECÍFICAS DE SEGURIDAD ADICIONALES....	44	REVISIÓN	58
DESCRIPCIÓN DE FUNCIONAMIENTO	46	ACCESORIOS	59
CONTENIDO DE LA CAJA	47	FRANCÉS	21
ENSAMBLAJE	48	ESPAÑOL	41

INSTRUCCIONES IMPORTANTES DE SEGURIDAD

▲ AVERTISSEMENT Lea y comprenda todos los avisos e instrucciones de manejo antes de utilizar cualquier herramienta o equipo. Siga siempre las medidas básicas de seguridad para reducir el riesgo de heridas personales. El incorrecto manejo, mantenimiento o modificación de herramientas o equipo puede resultar en heridas serias y daños a la propiedad. Las herramientas han sido diseñados para unas tareas específicas. Este producto NO debe ser modificado y/o usado para cualquier trabajo distinto a aquél para el que fue diseñado.

Si tiene cualquier pregunta relativa al uso, NO utilice el producto hasta que haya escrito a DELTA® Power Equipment Corporation y le hayamos aconsejado. Contacte con nosotros online en www.DeltaMachinery.com o bien por correo a Technical Service Manager, DELTA ® Power Equipment Corporation, 2651 New Cut Road, Spartanburg, SC 29303.

Puede encontrar más información acerca del manejo adecuado y seguro de esta herramienta en las siguientes fuentes:

- **Power Tool Institute**, 1300 Sumner Avenue, Cleveland, OH 44115-2851 o bien en línea en www.powertoolinstitute.com
- **National Safety Council**, 1121 Spring Lake Drive, Itasca, IL 60143-3201
- **American National Standards Institute**, 25 West 43rd Street, 4 floor, New York, NY 10036 www.ansi.org - ANSI 01.1 Requerimientos de seguridad de máquinas para el trabajo de la madera.
- **Departamento de regulaciones del Trabajo de los E.E.U.U.** www.osha.gov

GUARDE ESTAS INSTRUCCIONES!

GUÍA DE SEGURIDAD - DEFINICIONES

Es importante que usted lea y comprenda este manual. La información que contiene está dirigida a proteger SU SEGURIDAD y PREVENIR PROBLEMAS. Los símbolos indicados más abajo se usan para ayudarle a reconocer dicha

- ▲ PELIGRO** indica una situación de peligro inminente que, de no ser evitada, resultará en heridas graves o incluso la muerte.
- ▲ ADVERTENCIA** indica una situación potencialmente peligrosa que, de no ser evitada, podría resultar en heridas graves o incluso la muerte.
- ▲ ATENCION** indica una situación potencialmente peligrosa que, de no ser evitada, podría resultar en heridas moderadas o menores.
- ▲ ATENCION** usado sin el símbolo de alerta de seguridad indica una situación potencialmente peligrosa que, de no evitarse, podría resultar en daños a la propiedad.

▲ ADVERTENCIA

El polvo creado por el lijado, aserrado, rebajado, taladrado y otras actividades de la construcción puede contener productos químicos que el estado de California considera como causantes de cáncer, defectos en el nacimiento u otro daño reproductivo. Algunos ejemplos son:

- Plomo de pinturas con base de plomo.
- Sílice cristalino de ladrillos, cemento, y otros productos de albañilería.
- Arsénico y cromo de madera tratada químicamente.

El riesgo derivado de estas exposiciones varía dependiendo de la frecuencia con la que usted haga este tipo de trabajo. Para reducir su exposición a estos productos químicos, trabaje en una área bien ventilada con equipo de seguridad adecuado, tal como mascarillas para el polvo diseñadas especialmente para filtrar partículas microscópicas.

NORMAS GENERALES DE SEGURIDAD

⚠ ADVERTENCIA No seguir estas normas puede causarle heridas graves.

- 1. POR SU PROPIA SEGURIDAD, LEA EL MANUAL DE INSTRUCCIONES ANTES DE UTILIZAR LA MÁQUINA.** Aprender el uso, limitaciones, y riesgos específicos de la misma reducirá en gran medida la posibilidad de sufrir accidentes o heridas.
- 2. USE PROTECCIÓN OCULAR Y AUDITIVA. USE SIEMPRE GAFAS DE SEGURIDAD.** Las gafas o anteojos corrientes NO son equipos de seguridad. UTILICE EQUIPOS DE SEGURIDAD HOMOLOGADOS. El equipo ocular debe cumplir con los estándares de seguridad ANSI Z87.1. El equipo auditivo debería cumplir con los estándares ANSI S3.19.
- 3. VISTA UN ATUENDO ADECUADO.** No vista ropa suelta, guantes, corbatas, anillos, brazaletes, u otra joyería que pueda quedar atrapada en las partes móviles. Se recomienda calzado de protección antideslizante. Use redes de protección para el pelo si tiene el pelo largo.
- 4. NO UTILICE LA MÁQUINA EN ZONAS PELIGROSAS.** La exposición a la lluvia y las zonas húmedas o mojadas pueden causar descargas eléctricas, electrocución, o dañar la herramienta. Mantenga su área de trabajo bien iluminada para evitar tropiezos o el poner brazos, manos y dedos en peligro.
- 5. TENGA TODAS LAS HERRAMIENTAS Y MÁQUINAS EN PERFECTO ESTADO.** Manténgalas afiladas y limpias para un mejor y más eficiente rendimiento. Siga las instrucciones de lubricado y cambio de accesorios. Las herramientas y máquinas mal mantenidas pueden dañarse y/o producir heridas.
- 6. COMPRUEBE EL ESTADO DE LA HERRAMIENTA.** Antes del uso compruebe que ninguna parte haya sufrido daños. Revise las piezas móviles y su ensamblaje, posible rotura de partes y cualquier otro desperfecto que pudiera afectarla para asegurarse que la herramienta funcionará correctamente. Una protección o cualquier otra parte dañada debería ser debidamente reparada o reemplazada utilizando recambios oficiales DELTA® u otros que hayan sido previamente aprobados por fábrica. Partes dañadas pueden causar más daños a la herramienta y/o producir heridas.
- 7. MANTENGA EL ÁREA DE TRABAJO LIMPIA.** Las zonas de trabajo saturadas pueden causar accidentes.
- 8. MANTENGA A NIÑOS Y TERCEROS LEJOS** del área de trabajo. Su taller es un ambiente potencialmente peligroso. Niños y terceros pueden resultar heridos.
- 9. REDUZCA EL RIESGO DE ENCENDIDO ACCIDENTAL.** Asegúrese que el interruptor está en la posición de apagado "OFF" antes de enchufar el cable de alimentación. En caso de fallo del suministro eléctrico, ponga el conmutador en la posición "OFF". Un encendido accidental puede causar heridas. No toque las clavijas del enchufe cuando conecte o desconecte el cable.
- 10. USE LAS PROTECCIONES.** Compruebe que todas las protecciones están en su lugar, bien aseguradas, y en correcto estado de funcionamiento para prevenir heridas.
- 11. RETIRE LAS LLAVES DE AJUSTE Y LLAVES INGLESAS ANTES DE ENCENDER LA MÁQUINA.** Herramientas, piezas de deshecho y otros residuos pueden salir despedidos a gran velocidad, causando heridas.
- 12. USE LA MÁQUINA CORRECTA.** No fuerce a una máquina o accesorio a realizar un trabajo para el que no fue diseñada. Podría resultar en daños a la máquina o heridas.
- 13. USE ACCESORIOS RECOMENDADOS.** El uso de accesorios y extensiones no recomendados por DELTA® pueden causar daños a la máquina o heridas al operario.
- 14. USE EL CABLE DE ALARGO APROPIADO.** Asegúrese que su cable de alargó está en buenas condiciones. Cuando use un alargó, asegúrese de utilizar uno de calibre suficiente para soportar la corriente que su producto va a utilizar. Un cable menor recibirá una caída de tensión en el mismo, que ocasionará una pérdida de potencia y sobrecalentamiento. Vea la tabla de Cables de Alargó para comprobar la medida correcta dependiendo de la longitud del cable y el amperaje que es capaz de soportar. Si tiene dudas, elija el cable de grueso inmediatamente superior. Cuanto más bajo el número de calibre, más grueso el cable.
- 15. ASEGURE LA PIEZA DE TRABAJO.** Utilice sargentos o tornillos de banco para sujetar la pieza cuando sea necesario. La pérdida de control sobre una pieza puede causarle heridas.
- 16. COLOQUE LA PIEZA EN LA DIRECCIÓN CORRECTA.** Empuje la pieza de trabajo contra la dirección de rotación del disco, hoja de corte o superficie abrasiva. Alimentar las piezas en dirección contraria puede provocar que la pieza sea proyectada a gran velocidad.
- 17. NO FUERCE LA PIEZA DE TRABAJO CONTRA LA MÁQUINA.** Puede causar daño a la máquina o recibir heridas.
- 18. NO FUERCE LA POSTURA.** Mantenga el equilibrio y los pies bien plantados en el suelo para mantener el control.
- 19. NUNCA SE SUBA A LA MÁQUINA.** Podría recibir heridas si la herramienta se tambalea o si usted entra en contacto accidental con la superficie de corte.
- 20. NUNCA DEJE DESATENDIDA LA HERRAMIENTA MIENTRAS ESTÉ EN MARCHA. DESCONECTE LA ELECTRICIDAD.** No se aparte de la misma hasta que se haya detenido completamente. Niños o terceros podrían resultar heridos.
- 21. DESCONECTE LA MÁQUINA DE LA ALIMENTACIÓN Y PÓNGALA EN POSICIÓN "OFF"** antes de instalar o retirar accesorios, cambiar hojas de corte, realizar ajustes o cambiar la configuración. Cuando haga reparaciones, asegúrese de bloquear el interruptor de inicio en la posición "OFF". Un encendido accidental puede producir heridas.
- 22. HAGA SU TALLER A PRUEBA DE NIÑOS CON CANDADOS, INTERRUPTORES GENERALES, O RETIRANDO LAS LLAVES DE ENCENDIDO.** El encendido accidental de una máquina por parte de un niño o visitante puede causar heridas.
- 23. ESTÉ ALERTA, SEA CONSCIENTE DE LO QUE HACE, Y USE EL SENTIDO COMÚN. NO UTILICE LA MÁQUINA CUANDO ESTÁ CANSADO O BAJO LA INFLUENCIA DE DROGAS, ALCOHOL, O MEDICACIÓN.** Un momento de distracción mientras opera una máquina puede resultar en heridas.
- 24. ⚠ ADVERTENCIA** EL USO DE ESTA HERRAMIENTA PUEDE GENERAR Y DISPERSAR POLVO U OTRAS PARTÍCULAS, INCLUYENDO SERRÍN, SÍLICE CRISTALINO EN POLVO, Y POLVO DE AMIANTO. Dirija las partículas lejos de la cara y cuerpo. Siempre opere la herramienta en un área bien ventilada y asegúrese que dispone de un sistema de eliminación de polvo. Utilice sistemas de recolección de polvo siempre que sea posible. La exposición al polvo puede causar lesiones respiratorias u de otro tipo graves y permanentes, incluyendo silicosis (una enfermedad pulmonar grave), cáncer, o incluso la muerte. Evite respirar o mantener contacto prolongado con el polvo. Permitir que el polvo entre en su boca u ojos, o que esté en contacto con su piel, puede facilitar la absorción de material nocivo. Utilice siempre protección respiratoria adecuada para su nivel de exposición al polvo, y lave sus partes expuestas con agua y jabón.

NORMAS ESPECÍFICAS DE SEGURIDAD ADICIONALES

⚠ ADVERTENCIA No seguir estas normas puede resultar en heridas personales serias.

⚠ ADVERTENCIA **NO UTILICE ESTA UNIDAD PARA FILTRAR POLVO DE METAL.** Combinar polvo de madera y metal puede producir explosiones o incendios. Esta unidad está diseñada para filtrar sólo atmosferas no explosivas.

⚠ ADVERTENCIA **NO UTILICE ESTA UNIDAD PARA DISIPAR GASES O HUMO.** Puede producir explosiones o incendios. Este recogepolvo está diseñado para trabajar sólo con polvo suspendido seco. Su uso debería limitarse a atmosferas no explosivas y no metálicas.

- 1. NO USE ESTA UNIDAD HASTA QUE ESTÉ COMPLETAMENTE MONTADA E INSTALADA DE ACUERDO A LAS INSTRUCCIONES.** Una unidad mal montada puede causar heridas.
- 2. PIDA CONSEJO A SU SUPERVISOR, INSTRUCTOR, U OTRA PERSONA CUALIFICADA** si no está completamente seguro del manejo de esta unidad. El conocimiento es seguridad.
- 3. SIGA TODOS LOS CÓDIGOS DE CABLEADO** y conexiones eléctricas recomendadas para evitar descargas eléctricas o electrocución.
- 4. NO TIRE DE ESTA UNIDAD POR EL CABLE ELÉCTRICO.** No permita que el cable entre en contacto con instrumentos o cantos afilados, superficies calientes, aceite o grasa. No coloque ningún peso encima del cable de alimentación. Un cable dañado puede producir descargas eléctricas o electrocución.
- 5. DÉ SOPORTE A ESTA UNIDAD O ASEGÚRELA A LA SUPERFICIE DE TRABAJO CUANDO SE USE EN UNA HERRAMIENTA PORTÁTIL** para eliminar los riesgos potenciales y/o daño por caídas.
- 6. ASEGÚRESE QUE LAS ÁREAS DE ENTRADA Y SALIDA ESTÁN LIBRES ANTES DE ARRANCAR LA UNIDAD.** Entradas y salidas obstruidas pueden causar una explosión y/o incendio.
- 7. NO USE EL CAPTADOR DE POLVO** para recoger líquidos inflamables como gasolina. No lo utilice cerca de líquidos inflamables o combustibles. Pueden ocasionar explosiones o incendios.
- 8. MANTENGA BRAZOS, MANOS Y DEDOS LEJOS DE LA TURBINA.** Evite cualquier exposición a las partes móviles para evitar heridas.
- 9. NO UTILICE ESTA UNIDAD SIN LA BOLSA DE CAPTACIÓN DE POLVO EN SU SITIO DEBIDAMENTE ASEGURADA.** Serrín y otros desechos pueden causar el potencial para incendios y/o explosiones, así como causar problemas respiratorios.
- 10. INSPECCIONE LA BOLSA DE POLVO PARA DETECTAR CORTES, DESGARROS, O ROTURAS.** Reemplace las bolsas o mangueras de succión. Serrín y otros desechos pueden causar el potencial para incendios y/o explosiones, así como causar problemas respiratorios.
- 11. USE SIEMPRE LOS TAPONES DE ENTRADA PARA CUBRIR LAS ENTRADAS DE POLVO EN DESUSO.** Escombros o residuos pueden causar daño a la unidad y también heridas.
- 12. NO INTENTE RETIRAR O REEMPLAZAR** las bolsas de recolección de polvo mientras la unidad está conectada a alimentación. Las palas expuestas de la turbina pueden causar heridas graves.
- 13. MANTENGA LA UNIDAD EN PERFECTO ESTADO.** Filtros obturados pueden incrementar el riesgo de incendio o explosión. Siga todas las instrucciones para cambiar y limpiar los filtros.
- 14. ALMACENE ESTA UNIDAD EN UN LUGAR** que elimine el riesgo de daños al cable de alimentación. Un cable dañado puede causar descargas o electrocución. Guarde el cable de forma segura en la unidad para eliminar riesgos de tropiezo.
- 15. APAGUE LA UNIDAD PONIÉNDOLA EN "OFF" Y DESCONÉCTELA** de la corriente antes de instalar o retirar accesorios, antes de ajustar o cambiar la configuración, o cuando haga reparaciones. Un encendido accidental puede causar heridas serias.
- 16. APAGUE LA UNIDAD PONIÉNDOLA EN "OFF",** desconéctela de la corriente, y limpie la mesa y área de trabajo antes de abandonar su lugar de trabajo.

GUARDE ESTAS INSTRUCCIONES.
Consúltelas a menudo y utilícelas para instruir a otros.

CONEXIONES ELÉCTRICAS

Debería usar un circuito eléctrico separado para sus máquinas. Ese circuito no debería tener cable de diámetro inferior al del #12, y debería protegerse con un fusible de retraso de tiempo de 20A. Si usted usa un alargo eléctrico, utilice sólo aquellos con enchufes de 3 clavijas con toma de tierra, y con un enchufe que acepte las clavijas del enchufe de la máquina. Antes de conectar la máquina a la red eléctrica, asegúrese que el conmutador está en la posición de apagado, "OFF", y que la corriente eléctrica es de las mismas características que la indicada en la máquina. Todas las conexiones deberían hacer buen contacto. Funcionar con menor voltaje podría dañar la máquina.

⚠ PELIGRO No exponga la máquina a la lluvia o la utilice en lugares húmedos.

ESPECIFICACIONES DEL MOTOR

Su máquina está diseñada para usarse con corriente alterna de 120V y 60Hz. Antes de conectarla a la fuente de alimentación, asegúrese que el interruptor está en la posición "OFF".

INSTRUCCIONES DE CONEXIÓN A TIERRA

⚠ PELIGRO Esta máquina debe conectarse a tierra mientras esté en uso para proteger al operario del contacto eléctrico.

1. Todas las máquinas conectadas a tierra y alimentadas por cable:

En caso de mal funcionamiento o avería, conectar la máquina a tierra ofrece una vía de menor resistencia para la corriente eléctrica que reduce el riesgo de descarga eléctrica. Esta máquina está equipada con una clavija de enchufe con conexión a tierra y de un cable de conexión a tierra para el equipo. El enchufe debe estar conectado a una toma adecuada que esté debidamente instalada y conectada a tierra de acuerdo a las leyes y ordenanzas locales.

No modifique la clavija de enchufe suministrada. Si no encaja con su toma de corriente, haga que un electricista cualificado instale la toma adecuada. Una mala conexión puede causar riesgo de contacto eléctrico. El cable con aislante verde con o sin líneas amarillas es el cable de toma de tierra del equipo. Si se necesita reparar o reemplazar el cable o las clavijas de enchufe, no conecte el cable de toma de tierra de equipo a la red eléctrica.

Consulte a un electricista cualificado o al personal de mantenimiento si no entiende completamente las instrucciones de conexión a tierra, o si tiene dudas acerca de si la máquina ha sido debidamente conectada a tierra.

Use sólo alargos eléctricos con enchufes de 3 clavijas con toma de tierra y tomas de enchufe que acepten las clavijas de la máquina, como se enseña en la Fig. A. Cualquier cable dañado o gastado debe reemplazarse inmediatamente.

2. Máquinas conectadas a tierra y alimentadas por cable a través de un circuito de alimentación de voltaje nominal menor a 150 voltios:

Si la máquina está diseñada para su uso en un circuito con una toma semejante a la de la Fig. A, la máquina tendrá una clavija de toma de tierra que se parece a la de dicha Fig. A. Un adaptador provisional, como el ilustrado en la Fig. B, puede ser usado para conectar este enchufe a un conector de 2 clavijas como el que se muestra en la Fig. B hasta que un electricista cualificado instale una toma de enchufe adecuada. La orejeta, agarradera o similar pintada en verde que sobresale del adaptador debe ser conectada a una toma de tierra permanente como por ejemplo una caja de enchufe debidamente puesta a tierra. Siempre que se use el adaptador, debe ser fijado en su sitio por un tornillo metálico.

NOTA: La normativa eléctrica de Canadá no permite el uso de adaptadores provisionales.

⚠ PELIGRO En todos los casos, asegúrese que el enchufe en cuestión está debidamente conectado a tierra. Si no está seguro de ello, consulte a un electricista cualificado.

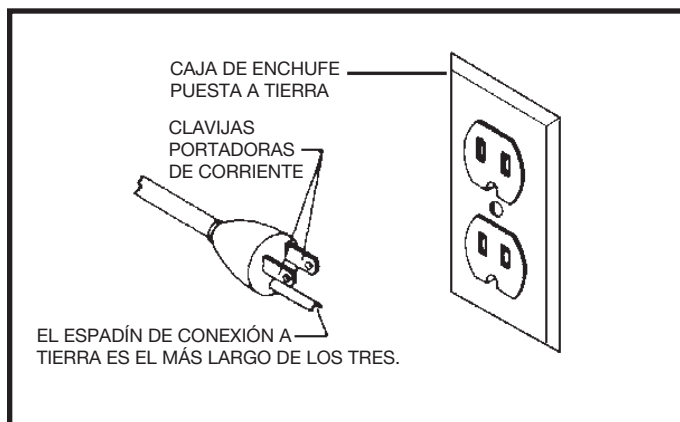


Fig. A

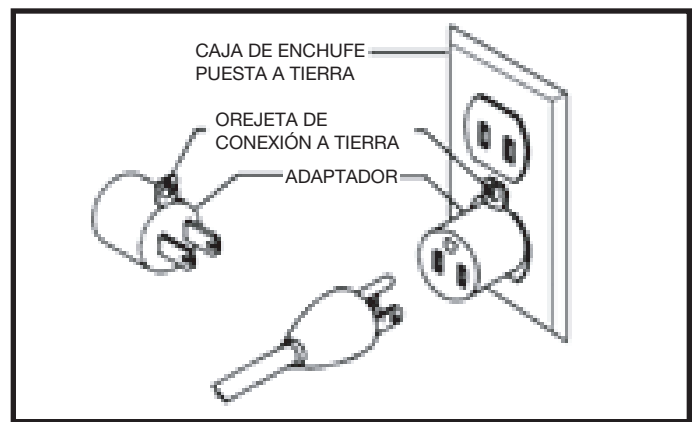


Fig. B

3. CONEXIÓN A 240 VOLTIOS MONOFÁSICA

El motor suministrado con su máquina es un motor de voltaje dual 120/240. Se vende configurado para funcionar a 120 voltios, pero puede modificarse para que trabaje a 240 voltios.

La modificación debe ser realizada por un electricista cualificado, o bien debe llevarse la máquina a un centro de servicio autorizado DELTA®. Cuando esté finalizada, la máquina debe estar conforme con el Código Nacional de máquinas eléctricas y todas las leyes y ordenanzas locales.

La máquina se modifica recableando el motor para 240 voltios, instalando un enchufe de 240 voltios en el cable de alimentación y reemplazando el conmutador con uno preparado para soportar 240 voltios.

Asegúrese que el enchufe de 240 voltios se usa en una toma con la misma configuración que la mostrada en la Fig. C. No debe usarse ningún adaptador con el enchufe de 240 voltios.

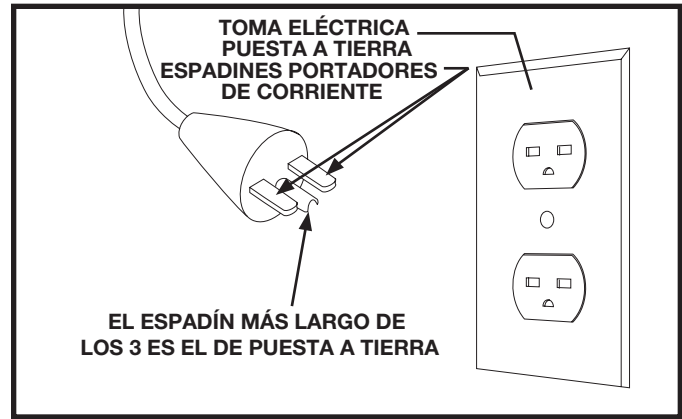


FIG. C

⚠ ADVERTENCIA En cualquier caso, cerciórese que la toma en cuestión se encuentra debidamente conectada a tierra. Si no está seguro de ello, haga que un electricista cualificado compruebe el receptáculo.

CABLES DE ALARGO

⚠ ADVERTENCIA Utilice cables de alargo apropiados. Asegúrese que su alargo está en buenas condiciones y que tiene 3 núcleos con una clavija de enchufe de 3 espadines, con una toma equivalente preparada para aceptar la clavija de la máquina. Cuando use un alargo, asegúrese que éste es suficientemente grueso como para soportar la corriente requerida por la máquina. Un cable más fino recibirá una caída de tensión, resultando en una pérdida de potencia y sobrecalentamiento. Las Fig. D-1 o D-2 indican el calibre adecuado dependiendo de la longitud del cable. Si tiene alguna duda, elija el calibre inmediatamente más grueso. Cuanto más pequeño el número de calibre, más grueso el cable.

CALIBRE MÍNIMO DE LOS ALARGOS			
MEDIDAS RECOMENDADAS PARA USAR CON MÁQUINAS ELÉCTRICAS ESTACIONARIAS			
Amperaje	Voltaje	Longitud total del cable en pies	Calibre del alargo
0-6	120	hasta 25	18 AWG
0-6	120	25-50	16 AWG
0-6	120	50-100	16 AWG
0-6	120	100-150	14 AWG
6-10	120	hasta 25	18 AWG
6-10	120	25-50	16 AWG
6-10	120	50-100	14 AWG
6-10	120	100-150	12 AWG
10-12	120	hasta 25	16 AWG
10-12	120	25-50	16 AWG
10-12	120	50-100	14 AWG
10-12	120	100-150	12 AWG
12-16	120	hasta 25	14 AWG
12-16	120	25-50	12 AWG
12-16	120	NO MÁS DE 50 PIES DE LONGITUD	

Fig. D-1

CALIBRE MÍNIMO DE LOS ALARGOS			
MEDIDAS RECOMENDADAS PARA USAR CON MÁQUINAS ELÉCTRICAS ESTACIONARIAS			
Amperaje	Voltaje	Longitud total del cable en pies	Calibre del alargo
0-6	240	hasta 50	18 AWG
0-6	240	50-100	16 AWG
0-6	240	100-200	16 AWG
0-6	240	200-300	14 AWG
6-10	240	hasta 50	18 AWG
6-10	240	50-100	16 AWG
6-10	240	100-200	14 AWG
6-10	240	200-300	12 AWG
10-12	240	hasta 50	16 AWG
10-12	240	50-100	16 AWG
10-12	240	100-200	14 AWG
10-12	240	200-300	12 AWG
12-16	240	hasta 50	14 AWG
12-16	240	50-100	12 AWG
12-16	240	NO MÁS DE 100 PIES DE LONGITUD	

Fig. D-2

DESCRIPCIÓN DE FUNCIONAMIENTO

INTRODUCCIÓN

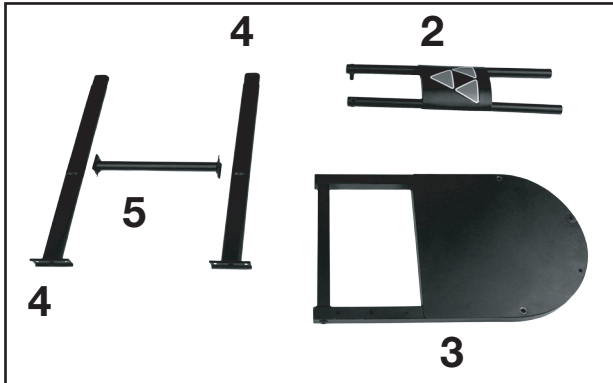
El recolector de polvo industrial DELTA® modelo 50-723 T2 se conecta a máquinas de trabajo de la madera que acepten un tubo con diámetro de 4". La 50-723 T2 viene con una bolsa de filtro de 2 micra y dos bolsas de plástico de recolección de 6 mil.

AVISO: La foto en la cubierta del manual ilustra el actual modelo de producción. Todas las otras ilustraciones contenidas en el manual son sólo representativas y puede que no representen el etiquetado o accesorios incluidos. Éstas pretenden servir únicamente como referencia.

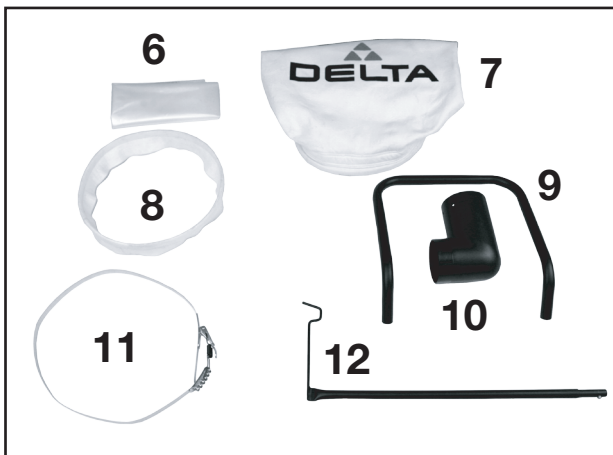
CONTENIDO DE LA CAJA



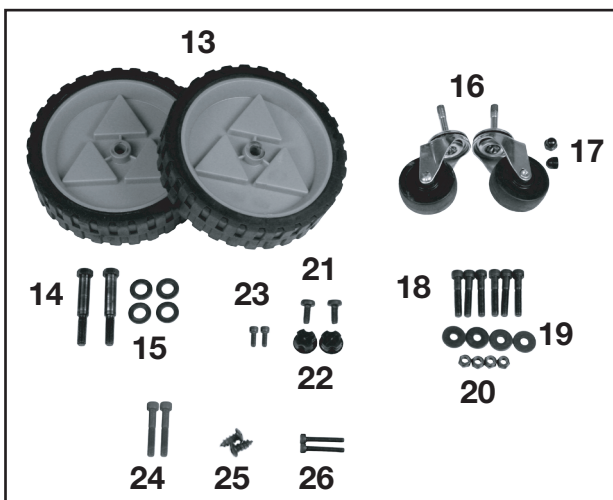
1. Conjunto de la carcasa de la turbina



2. Conjunto de soporte frontal
3. Estructura de la base
4. Soporte trasero del conjunto de turbina (2)
5. Soporte cruzado de la base trasera



6. Bolsa PE de recolección de polvo.
7. Bolsa de filtro de polvo
8. Tira de sujeción
9. Asa
10. Adaptador de entrada en "Y"
11. Anillo para la bolsa recolectora de polvo
12. Conjunto del colgadero (2 piezas)



13. Rueda trasera (2)
14. Perno de cabeza hexagonal M10 (2)
15. Arandela plana M12
16. Ruedas giratorias (2)
17. Tuercas ciegas (2)
18. Tornillo de cabeza Allen M8x45 (6)
19. Arandela plana M8 (4)
20. Tuercas de seguridad M8 (4)
21. Tornillos Phillips autorroscantes de cabeza redondeada M5 (2)
22. Tapas de final de tubo (2)
23. Tornillos Allen M6x10 (2)
24. Tornillo de cabeza Allen M8x55 (2)
25. Tornillos Phillips de cabeza redondeada M5 (2)
26. Tornillos Allen M6x40 (2)

ENSAMBLAJE

⚠ ADVERTENCIA Por su propia seguridad, no conecte la máquina a la red eléctrica hasta que la máquina esté completamente montada y usted haya leído y comprendido el manual de instrucciones en su totalidad.

TIEMPO ESTIMADO DE MONTAJE

Entre 30 minutos y una hora

⚠ ATENCION Esta máquina es pesada. Levántela entre dos o más personas.

ACOPLANDO LAS RUEDAS GIRATORIAS

1. Ponga la estructura de la base sobre su costado (Fig 1).
2. Inserte la parte roscada del eje de la rueda en el orificio de la parte inferior de la base.
3. Apriete la tuerca ciega (17).
4. Repita el proceso para la otra rueda.

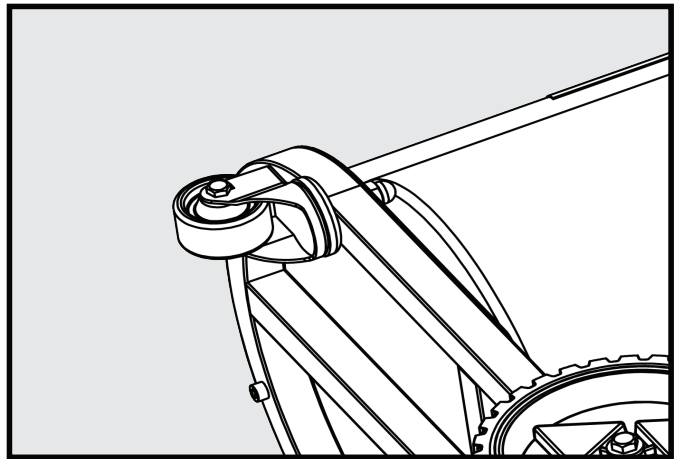


FIGURA 1

ACOPLAR LAS RUEDAS TRASERAS

1. Coloque la base en posición vertical.
2. Inserte una arandela plana M12 (15) en el perno de cabeza hexagonal (14) (Fig 2).
3. Inserte el perno de cabeza hexagonal (14) a través de la rueda trasera (13).
4. Coloque otra arandela plana M12 (15) entre la rueda y la base.
5. Apriete el perno de cabeza hexagonal (14).
6. Repita para la otra rueda.

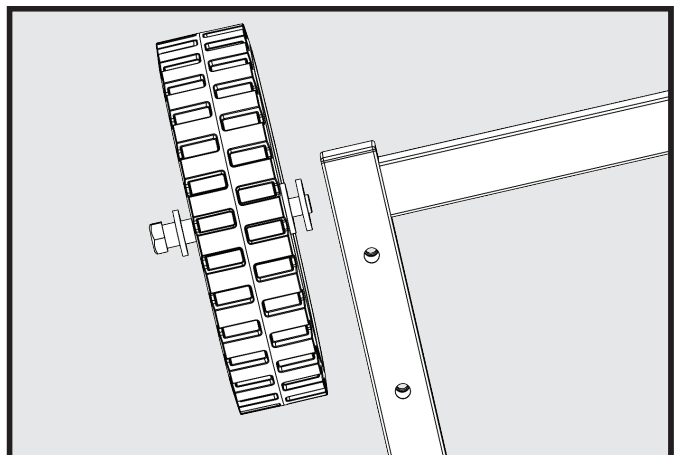


FIGURA 2

ACOPLAR EL SOPORTE TRASERO DE LA CARCASA DE LA TURBINA

1. Coloque la base sobre el costado.
2. Alinee el soporte trasero de la carcasa de la turbina con los orificios pasantes.
3. Inserte un tornillo Allen M8x45 (18) a través del soporte de la base y de la estructura de la base tal y como se indica.
4. Coloque una arandela plana M8 (19) y una tuerca M8 (20) en el lado inferior (Fig 3).
5. Apriete la tuerca de seguridad.
6. Repita para el otro lado.

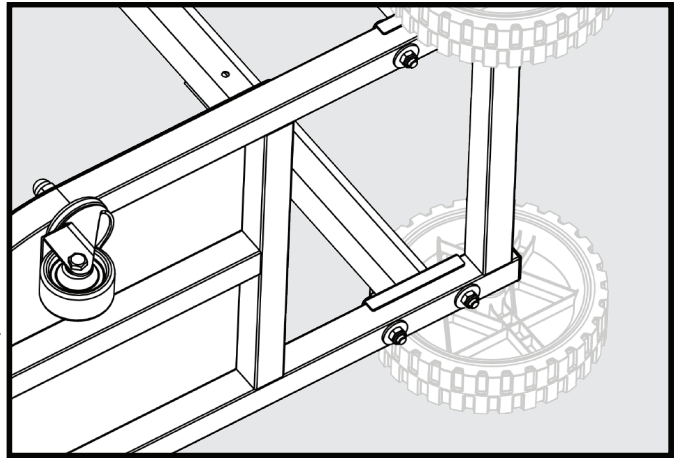


FIGURA 3

ACOPLAR EL CONJUNTO DE SOPORTE FRONTAL

1. Coloque la unidad sobre su costado.
2. Alinee el conjunto de soporte frontal con los orificios pasantes de la base.
3. Inserte un tornillo Allen M8x45 (18) a través del orificio de la estructura de la base y atorníllelo en el soporte frontal (Fig 4).
4. Apriete el tornillo.
5. Repita para el lado contrario.

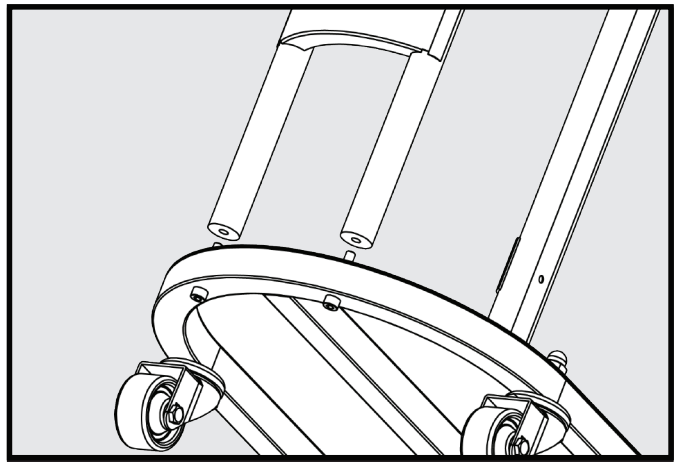


FIGURA 4

ACOPLAR EL SOPORTE CRUZADO TRASERO

1. Coloque la unidad en posición vertical.
2. Alinee el soporte cruzado trasero con el orificio pasante de la carcasa trasera de la turbina.
3. Inserte un tornillo Allen M6 (26) a través del orificio de la base trasera y rósquelo en el soporte cruzado (Fig 5).
4. Apriete el tornillo.
5. Repita para el otro costado.

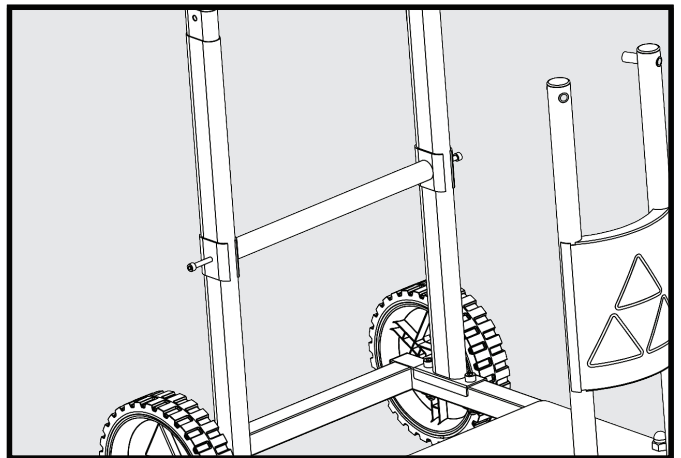


FIGURA 5

ACOPLAR EL CONJUNTO DE LA TURBINA A LA BASE

NOTA: SE NECESITAN DOS PERSONAS PARA ESTE PASO.

1. Coloque el conjunto de la turbina en la base.
2. Alinee las abrazaderas de la carcasa de la "turbina, del lado del motor, a los soportes traseros de la carcasa.
3. Los soportes traseros de la carcasa encajan dentro de las abrazaderas de la misma, tal y como se muestra (Fig 6).

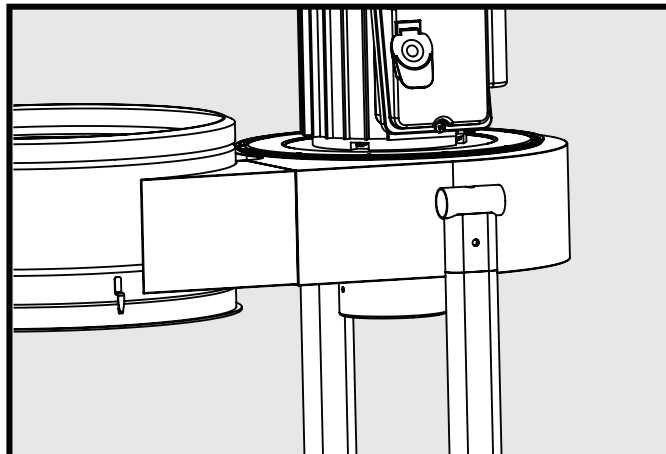


FIGURA 6

4. Alinee los orificios del conjunto de soporte frontal a la carcasa de la turbina (Fig 7).

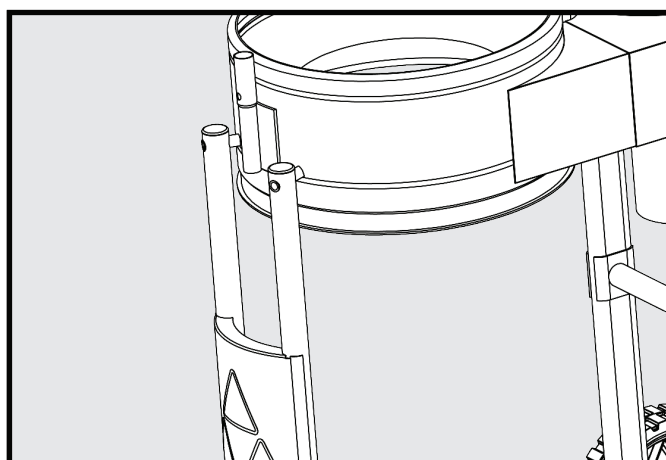


FIGURA 7

5. Inserte un tornillo Allen M8x55mm (24) a través del orificio y rósqelo en la carcasa de la turbina (Fig 8).
6. Apriete el tornillo.
7. Repita para el otro costado.

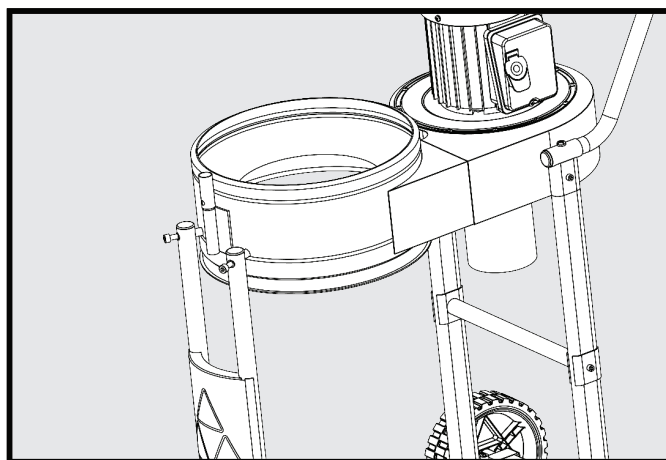


FIGURA 8

ENSAMBLAJE (continuación)

8. Coloque un tornillo Allen M6 (23) a través del orificio de la abrazadera de la carcasa de la turbina y atorníllelo en el soporte trasero (Fig 9).
9. Apriete el tornillo.
10. Repita en el otro lado.

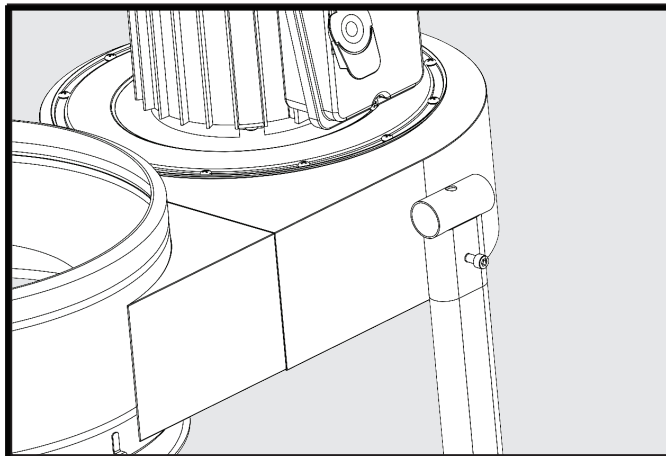


FIGURA 9

ACOPLAR EL ASA

1. Inserte el asa en las dos abrazaderas de la carcasa de la turbina (Fig 10).
2. Alinee los orificios del asa con los orificios superiores de las abrazaderas.
3. Atornille los tornillos autorroscantes Phillips M8 (21) en ambos lados (Fig 11).
4. Inserte las tapas de final de tubo en los extremos del asa.
5. Asegúrese que la tapa está bien ajustada (Fig 12).
6. Repita para el otro costado.

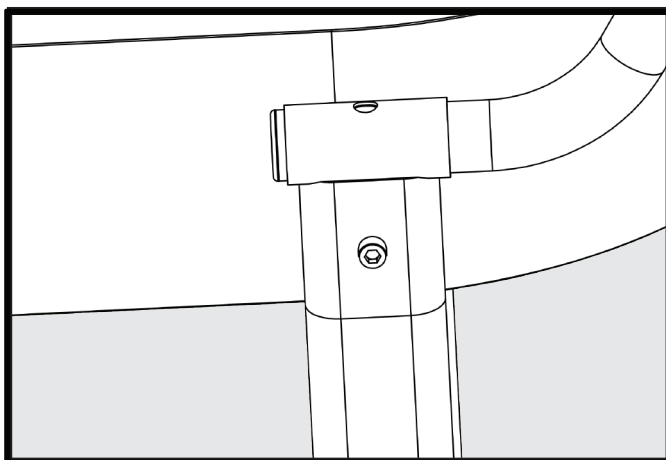


FIGURA 10

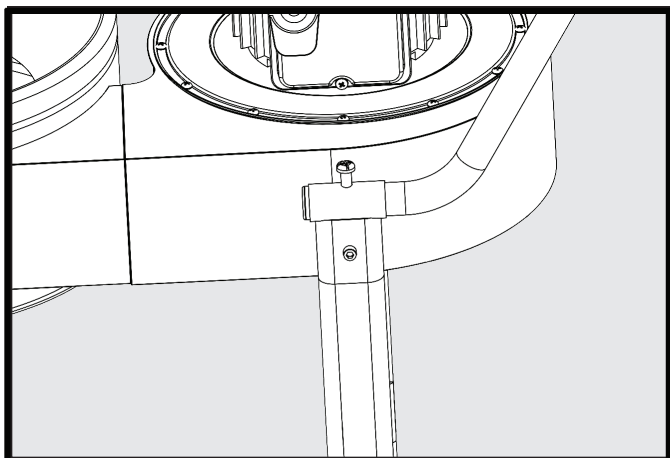


FIGURA 11

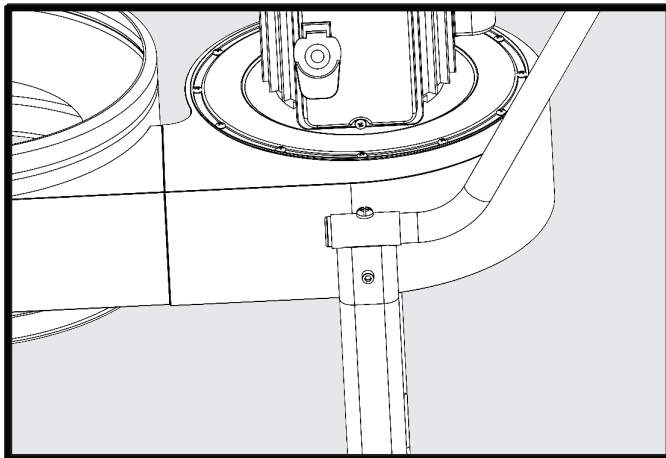


FIGURA 12

ACOPLAR LOS PUERTOS DE ENTRADA DE POLVO.

⚠ ADVERTENCIA ¡Desconecte la máquina de la red eléctrica!

1. Coloque el adaptador de entrada en la toma de entrada de polvo tal y como se muestra en la Fig. 13, en el lado opuesto al motor. Asegúrese que el adaptador de entrada encaja en el reborde de la toma y que los orificios se alinean entre el adaptador y la carcasa.
2. Inserte los tornillos (25).
3. Apriete los tornillos en ambos lados.

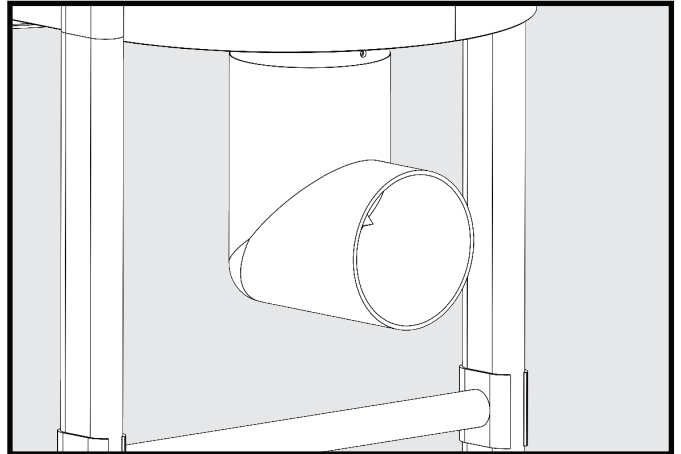


FIGURA 13

NOTA:

No conecte la manguera directamente a la entrada sin tener el adaptador, codo de 90 °, en su lugar.

No se utiliza el adaptador podría causar daños a la manguera y afectar el flujo de aire en el colector.

ACOPLANDO LA BOLSA DE RECOLECCIÓN DE POLVO

⚠ ADVERTENCIA ¡Desconecte la máquina de la toma eléctrica!

A. USE UN ANILLO FLEXIBLE CUBIERTO DE TELA:

1. Coloque el anillo de soporte cubierto (8) de tela dentro de la abertura de la bolsa transparente de recolección (6) de polvo. Doble aproximadamente unas 6 pulgadas de la bolsa alrededor del anillo de soporte (Fig 14).
2. Coloque la bolsa en el orificio grande del conjunto de la carcasa de la turbina. Encaje el anillo de soporte en la ranura inferior. Doble y pliegue el anillo para encajarlo en su sitio. El anillo flexible se ajustará a la parte inferior de la carcasa de la turbina de la misma forma que la descrita para la instalación de la bolsa de filtro en la parte superior de la carcasa de la turbina. Consulte las Fig 19 y Fig 20 en la pág. 15.
3. Tire suavemente de la bolsa para eliminar cualquier holgura y asegurarse que la bolsa está asegurada y que no se soltará durante la recolección.



FIGURA 14

B. USANDO UNA ABRAZADERA METÁLICA PARA LAS BOLSAS

También puede acoplar la bolsa de plástico al exterior del recolector de polvo usando la abrazadera incluida (Fig. 15).

1. Slide the bag under the hooks.
2. Ponga la abrazadera bajo la boca de la bolsa de plástico (6). Doble unas cuantas pulgadas de plástico sobre la misma (11).
3. Asegure la abrazadera vigilando que no esté sobre los ganchos.



FIGURA 15

ENSAMBLAJE (continuación)

COLOCANDO LA BOLSA DE FILTRO SUPERIOR

⚠ ADVERTENCIA ¡Desconecte la máquina de la toma eléctrica!

1. Inserte el gancho de la vara del colgadero a través del material de la parte superior de la bolsa de filtro (12) (Fig 16).



FIGURA 16

2. Inserte la vara del colgadero ya ensamblada en la abrazadera del colgadero, asegurándose que el botón de sujeción está seguro y en su sitio (Fig 17).



FIGURA 17

ENSAMBLAJE (continuación)

3. Inserte la vara del colgadero ya montada (7) en la abrazadera del colgadero, asegurándose que el botón de sujeción está seguro y en su sitio tal y como se muestra en la (Fig 18).

NOTA: El anillo de la bolsa debe encajar totalmente en la ranura para asegurar un buen sellado sin fugas.



FIGURA 18



FIGURA 19

ENSAMBLAJE (continuación)

ACOPLANDO EL TUBO AL PUERTO DE ENTRADA

⚠ ADVERTENCIA ¡Desconecte la máquina de la toma eléctrica!

El modelo 50-723 T2 viene provisto de un puerto de entrada de polvo de 4 pulg. Para acoplar el tubo (**VENDIDO POR SEPARADO**):

Acople holgadamente la abrazadera alrededor de uno de los extremos del tubo flexible (**tubo vendido por separado**). Una el tubo al puerto de entrada de polvo. Ajuste la abrazadera como se muestra en la Fig. 20. Acople la abrazadera restante al otro extremo del tubo y a la máquina para trabajar la madera.

NOTA: No utilice el recolector de polvo sin el tubo acoplado al adaptador de entrada.

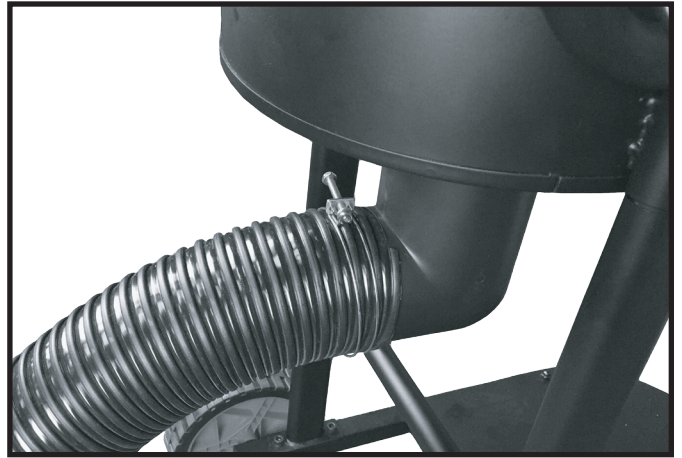


FIGURA 20

CONTROLES Y AJUSTES OPERACIONALES

⚠ ADVERTENCIA Para la seguridad del operario, no utilice la máquina con ninguno de los puertos de entrada descubiertos. La turbina giratoria, situada dentro de la carcasa, es accesible desde el puerto de entrada de polvo y puede resultar peligrosa. Siempre vista ropa de trabajo adecuada. No lleve joyería. Mantenga sus dedos y todos los objetos ajenos lejos de los puertos de entrada de polvo. Siga las instrucciones de seguridad de este manual.

ENCENDIENDO Y APAGANDO EL RECOLECTOR DE POLVO

1. El interruptor de encendido y apagado (Fig 21) está localizado en la carcasa del motor. Para encender la máquina, suba el interruptor a la posición "ON".
2. Para apagar la máquina, baje el interruptor (A) a la posición "OFF".

⚠ ADVERTENCIA Asegúrese que el interruptor está en la posición "OFF" antes de enchufar el cable eléctrico. En caso de un fallo de suministro eléctrico, ponga el interruptor en la posición "OFF". Un encendido accidental puede causar heridas.

FIJAR EL INTERRUPTOR EN LA POSICIÓN "OFF"

IMPORTANTE: Cuando la herramienta no esté en uso, el interruptor debería fijarse en la posición "OFF" para evitar el uso no autorizado. Para bloquear la máquina, agarre el fiador (Fig 21) y extráigalo del interruptor. Con el fiador extraído (Fig 22), el interruptor no funcionará. Sin embargo, si se retira el fiador mientras el recolector de polvo está en funcionamiento, la máquina podrá apagarse pero no podrá volver a encenderse sin reinsertar el fiador en su lugar.



FIGURA 21

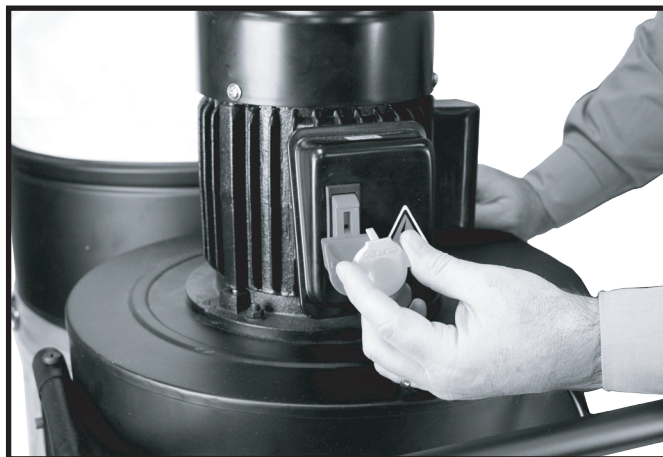


FIGURA 22

⚠ ADVERTENCIA Cuando utilice este recolector de polvo, no aspire nada que esté ardiendo, incandescente, o humeante (cerillas, cigarrillos, o cenizas calientes).

⚠ ADVERTENCIA No utilice esta unidad para aspirar materiales combustibles o explosivos (carbón, grano, u otro material combustible molido).

⚠ ADVERTENCIA No utilice esta unidad para aspirar materiales nocivos, tóxicos, o carcinogénicos (amianto, pesticidas, o restos de pintura con base de plomo).

SOLUCIÓN DE PROBLEMAS

Para recibir asistencia relativa a su producto, visite nuestro sitio web en www.DeltaMachinery.com para ver una lista de centros de servicio o llame a la línea de asistencia DELTA® Power Equipment Corporation al 1-800-223-7278.

MANTENIMIENTO

⚠ ADVERTENCIA Para reducir el riesgo de heridas, apague la unidad y desconéctela de la red eléctrica antes de instalar o retirar accesorios, antes de efectuar ajustes o cuando haga reparaciones. Un encendido accidental puede causar heridas.

MANTENGA LIMPIA SU MÁQUINA

Limpie todas los conductos de aire periódicamente con aire comprimido seco. Todas las partes de plástico deberían limpiarse con un paño suave húmedo.

⚠ ADVERTENCIA NUNCA utilice disolventes para limpiar las partes de plástico. Podrían disolver o dañar el material. Utilice equipo de protección ocular, auditivo y respiratorio mientras use aire comprimido.

FALLOS DE ARRANQUE

En caso que su máquina no arrancase, asegúrese que las clavijas de su enchufe tienen un buen contacto con la toma de corriente. Compruebe también que no haya fusibles fundidos o diferenciales abiertos en la línea.

REVISIÓN

RECAMBIOS

Utilice únicamente piezas de recambio originales. Si precisa una lista de piezas para pedir recambios, visite nuestro sitio web en www.DeltaMachinery.com/service. También puede solicitar piezas de su sucursal o Centro de Servicio en Garantía Autorizado más cercanos, o llamando al Encargado de Servicio Técnico al 1-800-223-7278 para recibir soporte personalizado de uno de nuestros expertos representantes.

REEMPLAZO GRATUITO DE ETIQUETAS

Si sus etiquetas de aviso se han vuelto ilegibles o se han perdido, llame al 1-800-223-7278 para conseguir unas nuevas sin cargo alguno.

REVISIÓN Y REPARACIONES

Todas las herramientas de calidad precisan en algún momento pasar una revisión y/o sustituir algunas piezas. Para más información sobre DELTA® Power Equipment Corporation, sus sucursales, o para localizar un Centro de Servicio en Garantía Autorizado, visite nuestro sitio web en www.DeltaMachinery.com o llame a nuestro Encargado de Servicio Técnico al 1-800-223-7278. Todas las reparaciones efectuadas por nuestros centros de servicio están completamente garantizadas contra materiales defectuosos y mano de obra. No podemos garantizar reparaciones hechas o intentadas por terceros. Llamando a este número también puede encontrar respuestas a las preguntas más frecuentes.

También puede escribirnos solicitando información a DELTA® Power Equipment Corporation, 2651 New Cut Road Spartanburg, SC 29303 - A/At:

Encargado de Servicio Técnico. Asegúrese de incluir toda la información que muestra la placa de identificación de su herramienta (número de modelo, tipo, número de serie, código de fecha, etc.)

ACCESORIOS

⚠ ADVERTENCIA Dado que los accesorios no ofrecidos por DELTA® no han sido testeados con este producto, el uso de dichos accesorios podría resultar peligroso. Para una mayor seguridad de uso, sólo deben utilizarse accesorios recomendados por DELTA® con este producto.

Hay una línea completa de accesorios disponibles en su proveedor DELTA®, las sucursales DELTA®, y los Centros de Servicio Autorizados DELTA®. Por favor, visite nuestro sitio web www.DeltaMachinery.com para un catálogo en línea o para encontrar el nombre de su proveedor más cercano.

GARANTÍA

Para registrar su herramienta para el servicio en garantía visite nuestro sitio web en www.DeltaMachinery.com.

Garantía limitada de cinco años para nuevos productos

DELTA® reparará o reemplazará, a su coste y elección, cualquier máquina nueva DELTA®, piezas de recambio, o accesorio de máquina que haya resultado defectuosa en fabricación o material bajo un uso normal, siempre que el cliente devuelva el producto a su cargo hasta una sucursal DELTA® o Centro de Servicio Autorizado junto con la prueba de compra del producto dentro de un plazo de cinco años, y permita que DELTA® verifique el supuesto defecto bajo inspección. Para un producto restaurado DELTA®, el periodo de garantía es de 180 días. DELTA® no se hará responsable de cualquier defecto que haya resultado del desgaste normal, mal uso, abuso, o reparaciones y alteraciones hechas o autorizadas por cualquier persona distinta a un Centro de Servicio Autorizado DELTA® o sus representantes. Bajo ninguna circunstancia DELTA® se hará responsable de daños accidentales o indirectos causados por productos defectuosos. Algunos estados no permiten la exclusión o limitación de daños accidentales o indirectos, así que las limitaciones mencionadas podrían no aplicarse en su caso. Esta garantía limitada es la única garantía que ofrece DELTA® y establece el único recurso del cliente con respecto a productos defectuosos; cualquier otra garantía, expresa o implícita, ya sea de comerciabilidad, adecuación de uso o cualquier otra, son expresamente rechazadas por DELTA®. Para más detalles de la cobertura de la garantía y para información sobre las reparaciones en periodo de garantía, llame al 1-800-223-7278. Esta garantía le da derechos legales específicos, usted puede tener otros derechos sujetos a variación en ciertos estados o provincias.

LATINOAMÉRICA: Esta garantía no se aplica a productos vendidos en Latinoamérica. Para productos vendidos en Latinoamérica, vea la información de garantía específica para su país que contiene la caja, llame a la compañía local o consulte la página web para información sobre su garantía.

NOTES

NOTES



POWER EQUIPMENT CORPORATION

2651 New Cut Road
Spartanburg, SC 29303
(800) 223-7278
www.DeltaMachinery.com

Copyright © 2016 DELTA® Power Equipment Corporation DPEC004416

Issued: 04-19-16
Revised: 10-25-16

