

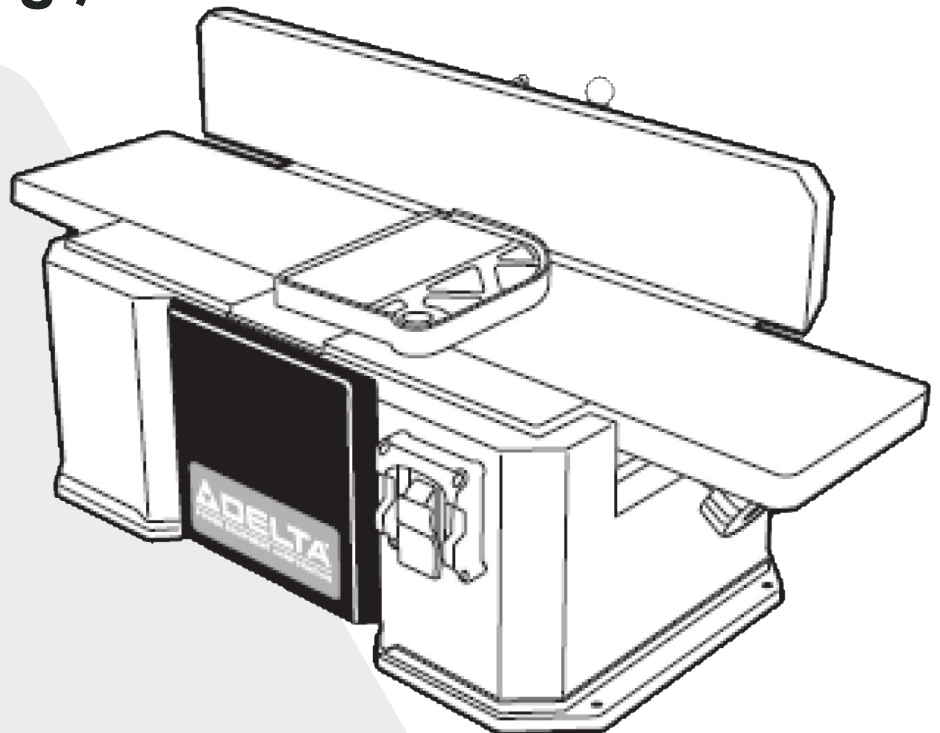


POWER EQUIPMENT CORPORATION

6 IN. BENCH JOINTER

Dégauchisseuse d'établi
de 152 mm (6 po)

Canteador de banco
de 152 mm (6 pulg.)



Français (20)

Español (38)

www.DeltaMachinery.com

Instruction Manual
Manuel d'utilisation
Manual de instrucciones

INSTRUCTIVO DE OPERACIÓN, CENTROS
DE SERVICIO Y PÓLIZA DE GARANTÍA.

▲ ADVERTENCIA: LÉASE ESTE INSTRUCTIVO
ANTES DE USAR EL PRODUCTO.

37-071



TABLE OF CONTENTS

| | | | |
|---|----|---|----|
| IMPORTANT SAFETY INSTRUCTIONS..... | 2 | OPERATION | 12 |
| SAFETY GUIDELINES - DEFINITIONS | 3 | Starting and Stopping the Jointer..... | 12 |
| GENERAL SAFETY RULES | 3 | Locking the Jointer Using the Safety Key..... | 12 |
| ADDITIONAL SPECIFIC SAFETY RULES | 4 | Adjusting Fence Position..... | 12 |
| POWER CONNECTIONS | 6 | Feeding Stock | 13 |
| MOTOR SPECIFICATIONS | 6 | Jointing Beveled Stock | 13 |
| GROUNDING INSTRUCTIONS | 6 | Calibrating the 45°/90°/135° Stops..... | 14 |
| EXTENSION CORDS | 7 | Depth Adjustment..... | 15 |
| KEY FEATURES AND COMPONENTS | 7 | MAINTENANCE | 16 |
| FUNCTIONAL DESCRIPTION | 7 | Changing the Cutter Knives | 16 |
| PRODUCT SPECIFICATIONS..... | 8 | OTHER RECOMMENDED MAINTENANCE | 16 |
| UNPACKING | 8 | ACCESSORIES | 17 |
| ASSEMBLY..... | 9 | WARRANTY | 17 |
| Fence Assembly | 9 | REPLACEMENT PARTS..... | 18 |
| Fence Angle Lock Assembly..... | 10 | SERVICE AND REPAIRS..... | 18 |
| Align Cutterhead to Outfeed Table | 10 | FRANÇAIS..... | 20 |
| Connecting to Dust Collector..... | 11 | ESPAÑOL | 38 |

IMPORTANT SAFETY INSTRUCTIONS

⚠ WARNING: READ AND UNDERSTAND ALL WARNINGS AND OPERATING INSTRUCTIONS BEFORE USING THIS EQUIPMENT. Failure to follow all instructions listed below, may result in electric shock, fire, and/or serious personal injury or property damage.

Woodworking can be dangerous if safe and proper operating procedures are not followed. As with all machinery, there are certain hazards involved with the operation of the product. Using the machine with respect and caution will considerably lessen the possibility of personal injury. However, if normal safety precautions are overlooked or ignored, personal injury to the operator may result. Safety equipment such as guards, push sticks, hold-downs, featherboards, goggles, dust masks and hearing protection can reduce your potential for injury. But even the best guard won't make up for poor judgment, carelessness or inattention. **Always use common sense** and exercise caution in the workshop. If a procedure feels dangerous, don't try it. Figure out an alternative procedure that feels safer. **REMEMBER:** Your personal safety is your responsibility. For additional information please visit our website www.DeltaMachinery.com.



⚠ WARNING: This machine was designed for certain applications only. DELTA® Power Equipment Corporation strongly recommends that this machine not be modified and/or used for any application other than that for which it was designed. If you have any questions relative to a particular application, DO NOT use the machine until you have first contacted DELTA® to determine if it can or should be performed on the product.

If you have any questions relative to its application DO NOT use the product until you have written DELTA® Power Equipment Corporation and we have advised you. Contact us online at www.DeltaMachinery.com or by mail at Technical Service Manager, DELTA® Power Equipment Corporation, 99 Roush St., Anderson, SC 29625.

Information regarding the safe and proper operation of this tool is available from the following sources:

- Power Tool Institute, 1300 Sumner Avenue, Cleveland, OH 44115-2851 or online at www.powertoolinstitute.com
- National Safety Council, 1121 Spring Lake Drive, Itasca, IL 60143-3201
- American National Standards Institute, 25 West 43rd Street, 4 floor, New York, NY 10036 www.ansi.org - ANSI 01.1 Safety Requirements for Woodworking Machines
- U.S. Department of Labor regulations www.osha.gov

SAFETY GUIDELINES - DEFINITIONS

This manual contains information that is important for you to know and understand. This information relates to protecting YOUR SAFETY and PREVENTING EQUIPMENT PROBLEMS. To help you recognize this information, we use the symbols below. Please read the manual and pay attention to these sections.

⚠ DANGER: Indicates an imminently hazardous situation which, if not avoided, will result in death or serious injury.

⚠ WARNING: Indicates a potentially hazardous situation which, if not avoided, could result in death or serious injury.

⚠ CAUTION: Indicates a potentially hazardous situation which, if not avoided, may result in minor or moderate injury.

CAUTION Used without the safety alert symbol indicates potentially hazardous situation which, if not avoided, may result in property damage.

GENERAL SAFETY RULES

⚠ WARNING: WARNING FAILURE TO FOLLOW THESE RULES MAY RESULT IN SERIOUS PERSONAL INJURY.

- **FOR YOUR OWN SAFETY, READ AND UNDERSTAND THE INSTRUCTION MANUAL BEFORE OPERATING THE UNIT.** Learn the unit's application and limitations as well as the specific hazards peculiar to it.
- **KEEP WORK AREA CLEAN.** Cluttered areas and benches invite accidents.
- **DON'T USE IN DANGEROUS ENVIRONMENT.** Don't use this unit in damp or wet locations, or expose it to rain. Keep work area well-lighted.
- **KEEP CHILDREN AND VISITORS AWAY.** All children and visitors should be kept a safe distance from work area.
- **DISCONNECT UNIT** before servicing.
- **CHECK DAMAGED PARTS.** Before further use of the unit, properly repair or replace any part that is damaged.

⚠ WARNING: FAILURE TO FOLLOW THESE RULES MAY RESULT IN SERIOUS INJURY.

1. Read and understand the warnings posted on the machine and in this manual. Failure to comply with all of these warnings may cause serious injury.
2. Replace the warning labels if they become obscured or removed.
3. This machine is designed and intended for use by properly trained and experienced personnel only. If you are not familiar with the proper and safe operation of a band saw, do not use until proper training and knowledge have been obtained.
4. Do not use this machine for other than its intended use. If used for other purposes, DELTA® Power Equipment Corporation disclaims any real or implied warranty and holds itself harmless from any injury that may result from that use.
5. Always wear approved safety glasses/face shields while using this tool.
6. Before operating this tool, remove tie, rings, watches and other jewelry, and roll sleeves up past the elbows. Remove all loose clothing and confine long hair. Non-slip footwear or anti-skid floor strips are recommended. Do not wear gloves.
7. Wear ear protectors (plugs or muffs) during extended periods of operation.
8. Some dust created by power sanding, sawing, grinding, drilling and other construction activities contain chemicals known to cause cancer, birth defects or other reproductive harm. Some examples of these chemicals are:
 - Lead from lead based paint.
 - Crystalline silica from bricks, cement and other masonry products.
 - Arsenic and chromium from chemically treated lumber.
9. Do not operate this machine while tired or under the influence of drugs, alcohol or any medication.
10. Make certain the switch is in the OFF position before connecting the machine to the power source.
11. Make certain the machine is properly grounded.
12. Make all machine adjustments or maintenance with the machine unplugged from the power source.
13. Form a habit of checking to see that all extra

continued on page 4

equipment such as adjusting keys, wrenches, scrap, stock, and cleaning rags are removed away from the machine before turning on.

14. Keep safety guards in place at all times when the machine is in use. If removed for maintenance purposes, use extreme caution and replace the guards immediately when maintenance is complete.
15. Make sure the tool is firmly secured to a stable work surface before use.
16. Check damaged parts. Before further use of the machine, a guard or other part that is damaged should be carefully checked to determine that it will operate properly and perform its intended function. Check for alignment of moving parts, binding of moving parts, breakage of parts, mounting and any other conditions that may affect its operation. A guard or other part that is damaged should be properly repaired or replaced.
17. Provide for adequate space surrounding work area and non-glare, overhead lighting.
18. Keep the floor around the machine clean and free of scrap material, oil and grease.
19. Keep visitors a safe distance from the work area. Keep children away.
20. Make your workshop child proof with padlocks, master switches or by removing starter keys.
21. Give your work undivided attention. Looking around, carrying on a conversation and "horse-play" are careless acts that can result in serious injury.
22. Maintain a balanced stance at all times so that you do not fall or lean against the tool or its moving parts. Do not overreach or use excessive force to perform any machine operation.
23. Use the right tool at the correct speed and feed

rate. Do not force a tool or attachment to do a job for which it was not designed. The right tool will do the job better and safer.

24. Use recommended accessories; improper accessories may be hazardous.
25. Maintain machinery with care. Follow instructions for lubricating and changing accessories.
26. Turn off the machine before cleaning. Use a brush or compressed air to remove dust or debris — do not use your hands.
27. Do not stand on the machine. Serious injury could occur if the machine tips over.
28. Never leave the machine running unattended. Turn the power off and do not leave the machine until it comes to a complete stop.
29. At all times, hold the stock firmly.
30. Do not use this tool for other than its intended use. If used for other purposes, DELTA® Power Equipment Corporation disclaims any real or implied warranty and holds itself harmless for any injury or damage which may result from that use.

Familiarize yourself with the following safety notices used in this manual:

⚠ CAUTION:

This means that if precautions are not heeded, it may result in minor injury and/or possible machine damage.

⚠ WARNING:

This means that if precautions are not heeded, it may result in serious injury or possibly even death.

ADDITIONAL SPECIFIC SAFETY RULES

⚠ WARNING: Failure to follow these rules may result in serious personal injury.

1. **DO NOT OPERATE THIS MACHINE** until it is completely assembled and installed according to the instructions. A machine incorrectly assembled can cause serious injury.
2. **OBTAIN ADVICE** from your supervisor, instructor, or another qualified person if you are not thoroughly familiar with the operation of this machine. Knowledge is safety.
3. **FOLLOW ALL WIRING CODES** and recommended electrical connections to prevent shock or electrocution.
4. **KEEP KNIVES SHARP** and free from rust and pitch. Dull or rusted knives work harder and can cause kickback.
5. **TIGHTEN THE INFEED/OUTFEED TABLES** before starting the machine. Loss of control of the workpiece can cause serious injury.
6. **PROPERLY SECURE THE BLADES IN THE CUTTERHEAD** before turning the power "ON". Loose blades may be thrown out at high speeds.
7. **NEVER TURN THE MACHINE "ON"** before clearing the table of all objects (tools, scraps of wood, etc.). Flying debris can cause serious injury.
8. **NEVER TURN THE MACHINE "ON"** with the workpiece contacting the cutterhead. Kickback can occur.
9. **AVOID AWKWARD OPERATIONS AND HAND POSITIONS.** A sudden slip could cause a hand to move into the cutterhead.
10. **KEEP ARMS, HANDS, AND FINGERS** away from the cutterhead to prevent severe injury.
11. **NEVER MAKE CUTS** deeper than 1/8" (3.2mm) to prevent kickback.

ADDITIONAL SPECIFIC SAFETY RULES

12. **NEVER JOINT OR PLANE A WORKPIECE** that is shorter than 10" (254mm), narrower than 3/4" (19.0MM), or less than 1/2" (12.7mm) thick. Jointing smaller workpieces can place your hand in the cutterhead causing severe injury.
13. **USE HOLD-DOWN/PUSH BLOCKS** for jointing or planing any workpiece lower than the fence. Jointing or planing small workpieces can result in kickback and severe injury.
14. **HOLD THE WORKPIECE FIRMLY** against the table and fence. Loss of control of the workpiece can cause kickback and result in serious injury.
15. **NEVER PERFORM "FREE-HAND" OPERATIONS.** Use the fence to position and guide the workpiece. Loss of control of the workpiece can cause serious injury.
16. **DO NOT** attempt to perform an abnormal or little-used operation without study and the use of adequate hold-down/push blocks, jigs, fixtures, stops, etc.
17. **DO NOT FEED A WORKPIECE** into the outfeed end of the machine. The workpiece will be thrown out of the opposite end at high speeds.
18. **DO NOT FEED A WORKPIECE** that is warped, contains knots, or is embedded with foreign objects (nails, staples, etc.) to prevent kickback.
19. **MAINTAIN THE PROPER RELATIONSHIP OF INFEED AND OUTFEED TABLE SURFACES** and cutterhead knife path. Loss of control of the workpiece can cause serious injury.
20. **PROPERLY SUPPORT LONG OR WIDE WORKPIECES.** Loss of control of the workpiece can cause injury.
21. **NEVER PERFORM LAYOUT, ASSEMBLY, OR SETUP WORK** on the table/work area when the machine is running. A sudden slip could cause a hand to move into the cutterhead. Severe injury can result.
22. **TURN THE MACHINE "OFF"**, disconnect the machine from the power source, and clean the table/work area before leaving the machine. **LOCK THE SWITCH IN THE "OFF" POSITION** to prevent unauthorized use. Someone else might accidentally start the machine and cause injury to themselves.
23. **ADDITIONAL INFORMATION** regarding the safe and proper operation of power tools (i.e. a safety video) is available from the Power Tool Institute, 1300 Sumner Avenue, Cleveland, OH 44115-2851 (www.powertoolinstitute.com). Information is also available from the National Safety Council, 1121 Spring Lake Drive, Itasca, IL 60143-3201. Please refer to the American National Standards Institute ANSI 01.1 Safety Requirements for Woodworking Machines and the U.S. Department of Labor OSHA 1910.213 Regulations.

SAVE THESE INSTRUCTIONS.

Refer to them often and use them to instruct others.

POWER CONNECTIONS

A separate electrical circuit should be used for your machines. This circuit should not be less than #12 wire and should be protected with a 20 Amp time lag fuse. If an extension cord is used, use only 3-wire extension cords which have 3-prong grounding type plugs and matching receptacle which will accept the machine's plug. Before connecting the machine to the power line, make sure the switch (s) is in the "OFF" position and be sure that the electric current is of the same characteristics as indicated on the machine. All line connections should make good contact. Running on low voltage will damage the machine.

⚠ DANGER: DO NOT EXPOSE THE MACHINE TO RAIN OR OPERATE THE MACHINE IN DAMP LOCATIONS.

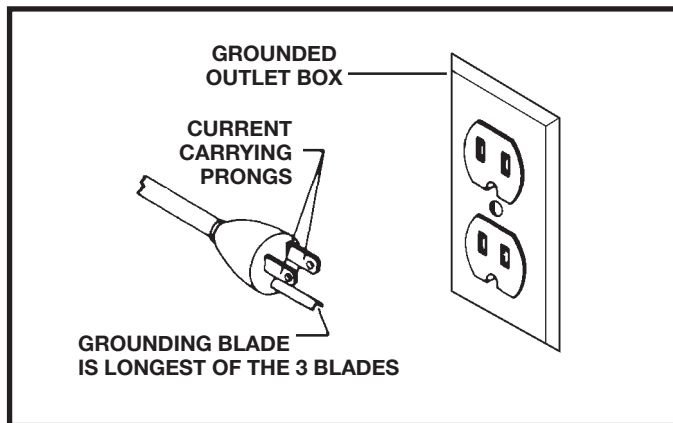


FIG. A

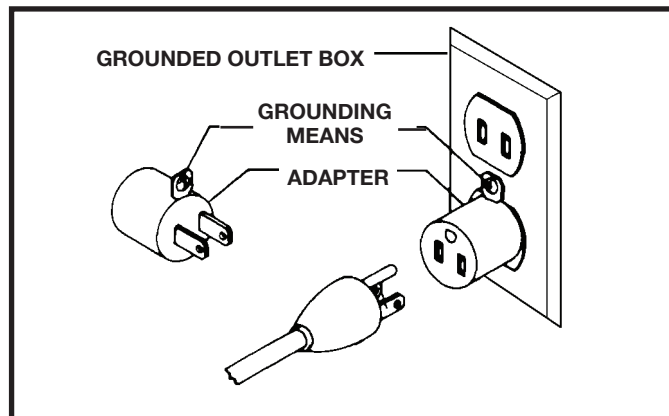


FIG. B

MOTOR SPECIFICATIONS

Your machine is wired for 110 volts, 60 HZ alternating current. Before connecting the machine to the power source, make sure the switch is in the "OFF" position.

GROUNDING INSTRUCTIONS

⚠ DANGER: THIS MACHINE MUST BE GROUNDED WHILE IN USE TO PROTECT THE OPERATOR FROM ELECTRIC SHOCK.

1. All grounded, cord-connected machines:

In the event of a malfunction or breakdown, grounding provides a path of least resistance for electric current to reduce the risk of electric shock. This machine is equipped with an electric cord having an equipment-grounding conductor and a grounding plug. The plug must be plugged into a matching outlet that is properly installed and grounded in accordance with all local codes and ordinances.

Do not modify the plug provided - if it will not fit the outlet, have the proper outlet installed by a qualified electrician.

Improper connection of the equipment-grounding conductor can result in risk of electric shock. The conductor with insulation having an outer surface that is green with or without yellow stripes is the equipment-grounding conductor. If repair or replacement of the electric cord or plug is necessary, do not connect the equipment-grounding conductor to a live terminal.

Check with a qualified electrician or service personnel if the grounding instructions are not completely understood, or if in doubt as to whether the machine is properly grounded.

Use only 3-wire extension cords that have 3-prong grounding type plugs and matching 3-conductor receptacles that accept the machine's plug, as shown in Fig. A.

Repair or replace damaged or worn cord immediately.

⚠ DANGER: IN ALL CASES, MAKE CERTAIN THE RECEPTACLE IN QUESTION IS PROPERLY GROUNDED. IF YOU ARE NOT SURE, HAVE A QUALIFIED ELECTRICIAN CHECK THE RECEPTACLE.

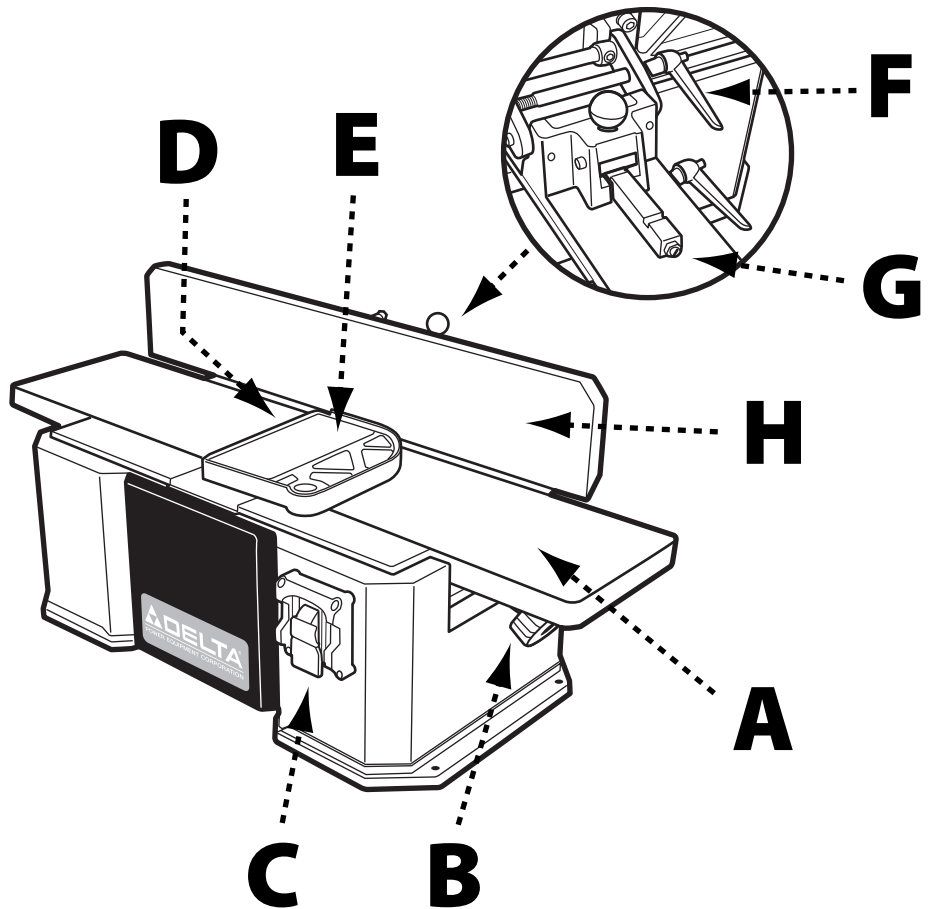
EXTENSION CORDS

⚠ CAUTION: Use proper extension cords. Make sure your extension cord is in good condition and is a 3-wire extension cord which has a 3-prong grounding type plug and matching receptacle which will accept the machine's plug. When using an extension cord, be sure to use one heavy enough to carry the current of the machine. An undersized cord will cause a drop in line voltage, resulting in loss of power and overheating. The table shows the correct gauge to use depending on the cord length. If in doubt, use the next heavier gauge. The smaller the gauge number, the heavier the cord.

| MINIMUM GAUGE EXTENSION CORD | | | |
|---|-------|--------------------------------------|-------------------------|
| RECOMMENDED SIZES FOR USE WITH STATIONARY ELECTRIC MACHINES | | | |
| Ampere Rating | Volts | Total Length of Cord in Feet | Gauge of Extension Cord |
| 0-6 | 120 | up to 25 | 18 AWG |
| 0-6 | 120 | 25-50 | 16 AWG |
| 0-6 | 120 | 50-100 | 16 AWG |
| 0-6 | 120 | 100-150 | 14 AWG |
| 6-10 | 120 | up to 25 | 18 AWG |
| 6-10 | 120 | 25-50 | 16 AWG |
| 6-10 | 120 | 50-100 | 14 AWG |
| 6-10 | 120 | 100-150 | 12 AWG |
| 10-12 | 120 | up to 25 | 16 AWG |
| 10-12 | 120 | 25-50 | 16 AWG |
| 10-12 | 120 | 50-100 | 14 AWG |
| 10-12 | 120 | 100-150 | 12 AWG |
| 12-16 | 120 | up to 25 | 14 AWG |
| 12-16 | 120 | 25-50 | 12 AWG |
| 12-16 | 120 | GREATER THAN 50 FEET NOT RECOMMENDED | |

KEY FEATURES AND COMPONENTS

- A. Infeed/outfeed table
- B. Depth of cut adjustment
- C. On/Off switch
- D. Cutterhead (not visible)
- E. Cutter guard
- F. Fence angle lock
- G. 45° bevel stop
- H. Rear fence



NOTE: Located within the fence mount is a red sliding guard. Please insure guard moves freely with fence.

FUNCTIONAL DESCRIPTION

The DELTA® 37-071 is a 6" Bench Jointer with designed cutting capacity of 6" (152mm) width and 1/8" (3.2mm) depth. It features a 110-volt, 10,000 RPM motor, an in-and-out, tilting center-mounted fence, and a two-knife cutterhead.

PRODUCT SPECIFICATIONS

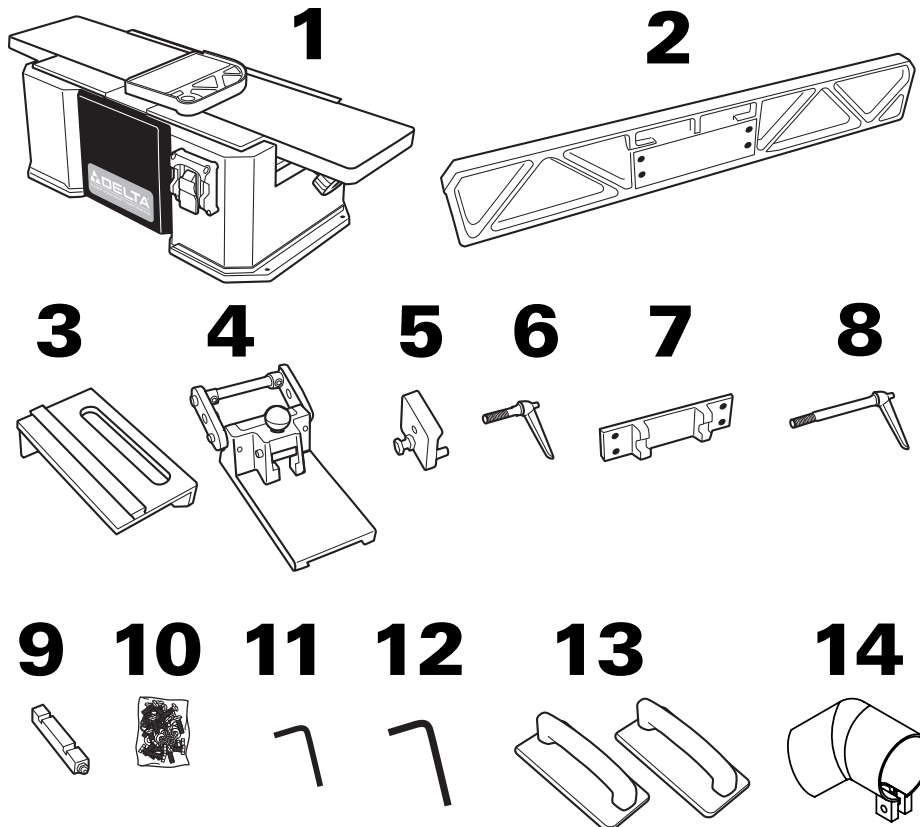
| | |
|--------------------------------|--|
| Weight | 76 lbs |
| Overall Dimensions (L x W x H) | 26 x 8 x 10 in. |
| Table Dimensions (L x W) | 28-1/2 in. x 6-□ in. |
| Motor | 12 amps 120V Single-Phase 60 Hz |
| Maximum Width of Cut | 6 in. |
| Maximum Depth of Cut | 1/8 in. |
| Number of Knives | 2 |
| Cuts per Minute | 20,000 |
| Fence Length | 22-7/8 in. |
| Fence Height | 4-5/16 in. |
| Fence Angle | 45°, 90° and 135° |
| Cutterhead Diameter | 1-7/8 in. |
| Cutterhead Speed | 10,000 RPM |

UNPACKING

Compare all parts to the list below and check that all parts are present and in good condition. Report any missing or damaged parts to your distributor or dealer. Prior to tool assembly and use, read this manual thoroughly to familiarize yourself with proper assembly, maintenance and safety procedures.

DESCRIPTION (QUANTITY)

1. 37-071 6" Jointer (1)
2. Fence
3. Rear Fence Support (1)
4. Rear Fence Bracket (1)
5. Dovetail Clamp (1)
6. Indexing Handle (1)
7. Fence Mounting Plate (1)
8. Fence Angle Lock (1)
9. 45°/90° Angle Stop (1)
10. Hardware Package (1)
11. 4 mm Hex Wrench (1)
12. 6 mm Hex Wrench (1)
13. Push Blocks (2)
14. Dust Chute (1)
15. Operator's Manual (not shown)



CONTENTS OF HARDWARE PACK

- M8 x 16mm Hex Head Screws (4)
- M8 x 20mm Hex Head Screws (2)
- 8mm Lock Washers (6)

UNPACKING

Remove any protective materials and coatings from all of the parts and the tool. The protective coatings can be removed by spraying WD-40 on them and wiping it off with a soft cloth. This may need redone several times before all of the protective coatings are removed completely.

⚠ WARNING: If any parts are missing, do not attempt to plug in the power cord and turn “ON” the machine. The machine should only be turned “ON” after all the parts have been obtained and installed correctly.

ASSEMBLY

FENCE ASSEMBLY

1. Attach the fence support bracket (A) to the tool frame using two M8 x 25mm socket head screws (B), each fitted with an 8mm lock washer. See Figure 1. Ensure that the top surface of the bracket is flush with the top of the table.
2. Referring to Figure 2, slide the dovetail clamp (C) onto the fence support (D) ensuring the tops of both bottom pins in the clamp are flush with the bottom surface of the fence support bracket. Loosely secure the dovetail clamp to the fence support with the indexing lock handle (E).
3. Attach the fence mounting plate (A) to the fence (B) using four M8 x 25mm socket head screws and 8mm lock washers. See Figure 3.
4. Slide assembled fence (A) over the fence support bracket (B). The left edge of the fence assembly should be aligned with the left edge of the bracket. The dovetail edge on the right side must be engaged with the dovetail clamp. Tighten the indexing lock handle to firmly secure and square the assembly. Insure that the red sliding guard moves freely and attaches to the magnets on the rear side of the fence. See Figure 4.

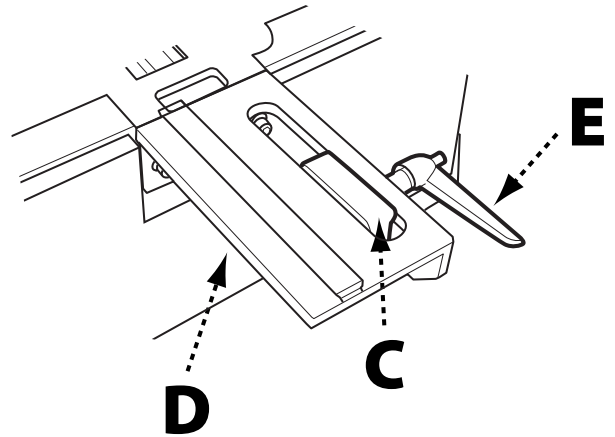


FIGURE 2

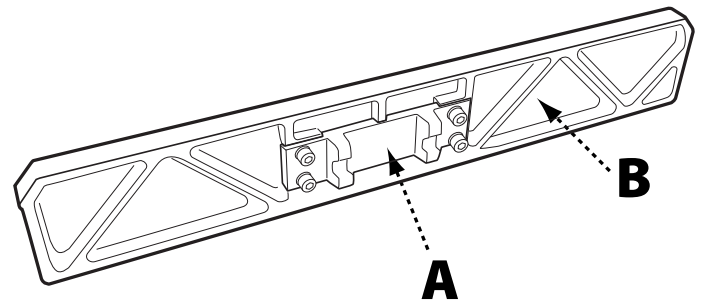


FIGURE 3

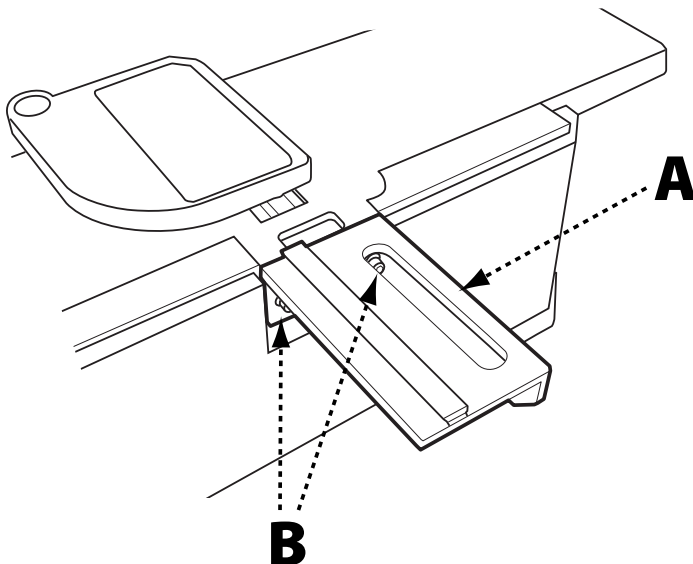


FIGURE 1

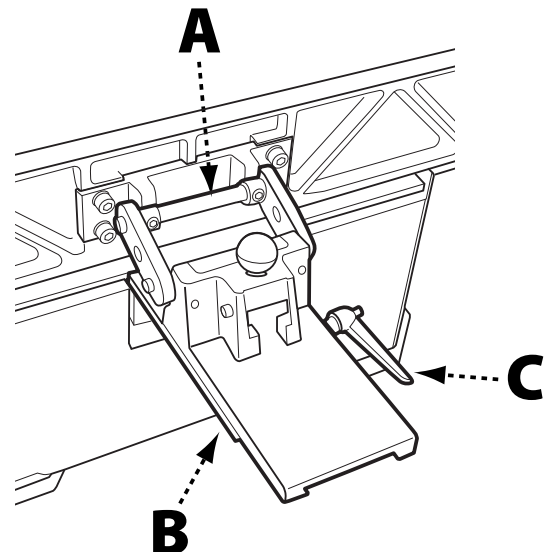


FIGURE 4

ASSEMBLY

FENCE ANGLE LOCK ASSEMBLY

1. Feed the threaded end of the fence angle lock (A) through both holes in the fence mounting assembly and secure by screwing it into the assembly. See Figure 5.
2. Install the 45°/90° angle stop by pulling up on the spring-loaded pin (B) and sliding the angle stop

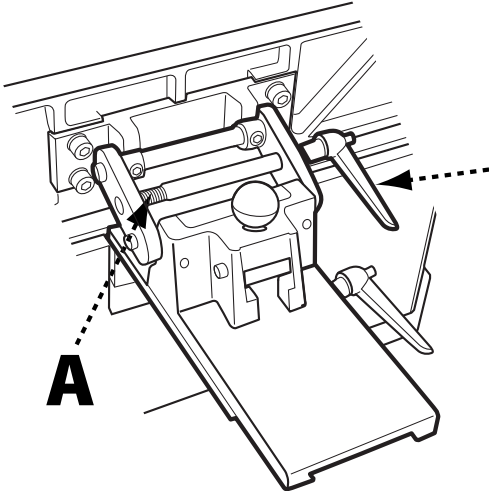


FIGURE 5

(C) in the mortised hole, as shown in Figure 6. Releasing the pin will lock the angle stop in place. When locked in the fully-engaged position, the stop is at 90°. When locked in the partially engaged position, it is at 45°.

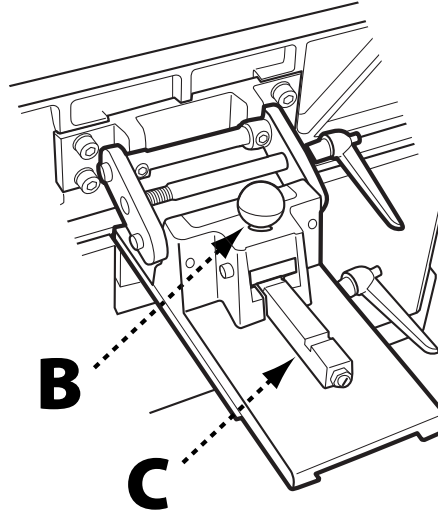


FIGURE 6

ALIGN CUTTERHEAD TO OUTFEED TABLE

⚠ WARNING: Disconnect the machine from the power source before making any adjustments!

In order to safely feed stock across the jointer safely, the top surface of the outfeed table must be level with the highest point of the cutterhead knives during its rotation. To check the position of the cutterhead knives relative to the outfeed table, refer to Figure 7 and do the following.

1. Disconnect the machine from the power source.
2. Place a straight edge on the outfeed table (A) so that one end overhangs above the cutterhead. For best results, the straightedge should be able to stand on edge without having to be held in place.
3. Carefully and slowly rotate the cutterhead (B) toward the infeed table (C). As the edge of the knife passes underneath the straightedge, it should just barely brush the bottom of the straightedge, causing it to move forward slightly, no more than 1/8".
4. If the rotation of the cutterhead lifts and moves the straight edge more than 1/8" or if it fails to make contact with the bottom of the straightedge, you'll need to adjust the position of the knife.
5. Use a scrap of wood to keep the spring-loaded guard open and fully-expose the cutterhead.

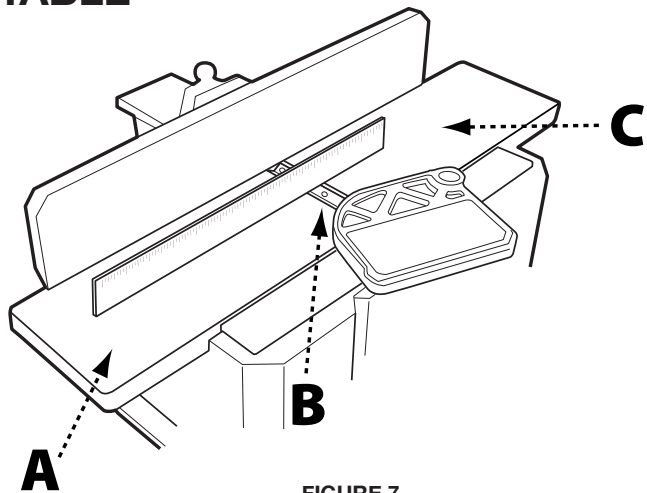


FIGURE 7

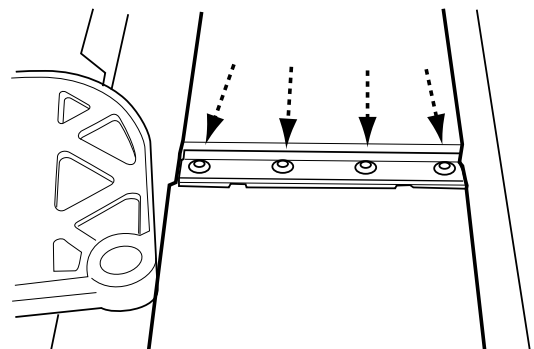


FIGURE 8

ASSEMBLY

ALIGN CUTTERHEAD TO OUTFEED TABLE *(continued)*

6. Loosen the four screws securing the clamp bar to the cutterhead. See Figure 8.
7. Locate the two adjustment screws on the exposed knife. Refer to Figure 9.
8. Rotate the adjustment screws clockwise to lower the knife or counterclockwise to raise it. Each screw must be adjusted separately.
9. Re-check the position of the knife on either end using the straightedge as in Step 3. Continue to adjust the height of the knife until it brushes the underside of the straightedge enough to move it 1/8".

NOTE: Check both the left and right sides of the cutterhead knife to ensure they are at the proper height.

10. Replace the clamp bar and tighten the four screws securing the clamp bar to the cutterhead. Slightly tighten each of the clamp screws, making sure to follow the sequence shown in Figure 10.

NOTE: Failure to follow the proper sequence for tightening the clamp screws may result in the position of the knife being altered which can affect the performance of the tool.

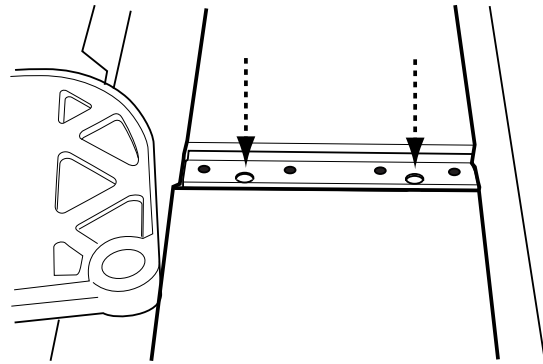


FIGURE 9

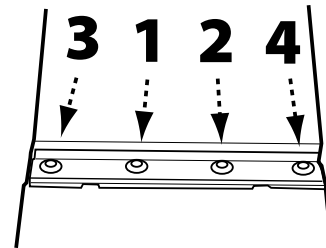


FIGURE 10

CONNECTING TO DUST COLLECTOR

A jointer creates a large amount of fine particles while in use. It is strongly recommended that you connect the jointer to a dust collector. Your DELTA® Bench Jointer is equipped with a 2-1/4" (OD) dust port which is located underneath the outfeed table. This must be connected to a dust collector hose to ensure safe operation.

⚠ WARNING: Do not attempt to operate this tool without first connecting it to an adequate dust collection system.

⚠ WARNING: Always turn on the dust collector before starting the jointer and always stop the jointer before turning off the dust collector.

OPERATION

STARTING AND STOPPING THE JOINTER

⚠ WARNING: Make sure that the switch is in the "OFF" position before plugging cord into outlet. Do not touch the plug's metal prongs when unplugging or plugging in the cord.

⚠ WARNING: In the event of a power outage (such as a breaker or fuse trip), always move the switch to the "OFF" position until the main power is restored.

The On/Off switch (A), indicated in Figure 11, is located on the front of the jointer cabinet. To turn the machine "ON," move the switch to the up position. To turn the machine "OFF," move the switch to the down position.

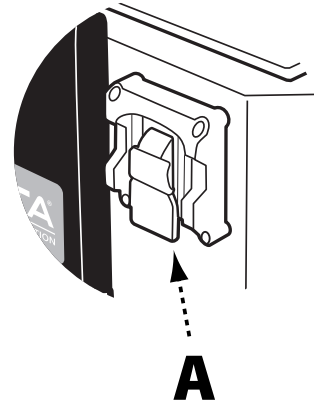


FIGURE 11

LOCKING THE JOINTER USING THE SAFETY KEY

1. Your DELTA® 6" Bench Jointer uses a safety key that enables you to lock the tool in the "OFF" position when not in use.

IMPORTANT: When the machine is not in use, the switch should be locked in the "OFF" position to prevent unauthorized use.

2. To lock the machine, remove the safety key by pulling it straight out. With the safety key removed, the switch will not operate.

3. Should the safety key be removed while the jointer is running, the machine can be turned "OFF," but cannot be restarted unless the safety key is re-inserted.

ADJUSTING FENCE POSITION

⚠ WARNING: Disconnect the machine from the power source before making any adjustments!

See Figure 12.

Prior to performing any jointer operation, check to make sure the fence position is approximately the same as the width of the stock being jointed. For edge jointing of thinner stock, it is recommended that you occasionally reposition the fence to avoid dulling the knives in one area.

1. To adjust the position of the fence, loosen the indexing lock handle (A) by rotating it to left.
2. Move fence to proper position.
3. Retighten the indexing lock handle.

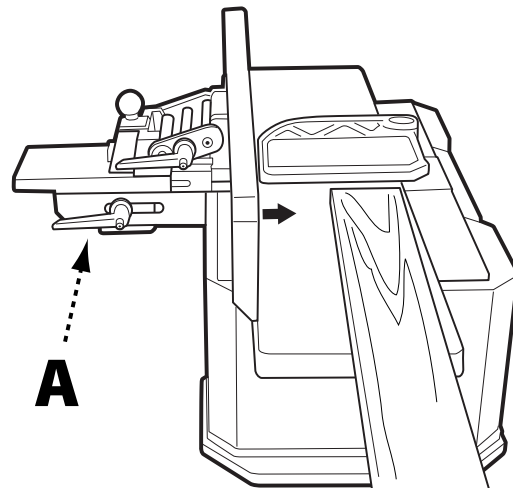


FIGURE 12

OPERATION

FEEDING STOCK

1. Place the surface to be jointed face down on the infeed table and against the fence. Turn the jointer on and wait for the motor to come to full speed.
2. Apply light downward pressure and slowly feed the stock through the spring-loaded cutter guard and over the cutting head.

IMPORTANT: When feeding stock horizontally, with the width of the board laying flat against the table, always use safety paddles or a push stick, as shown in Figure 13. When feeding stock vertically, with the

width of the board flush against the fence, always keep fingers on top of the board. See Figure 14.

3. Keep moving the board until it clears the cutter.
4. Turn the jointer off and wait for the cutterhead to come to a stop before removing the stock.

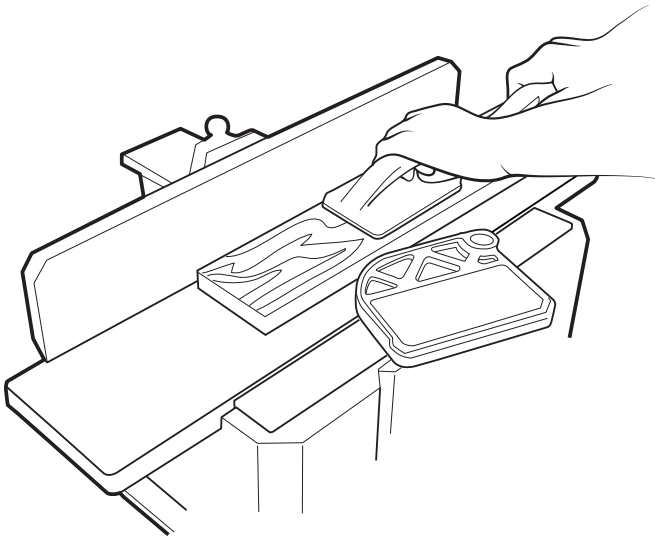


FIGURE 13

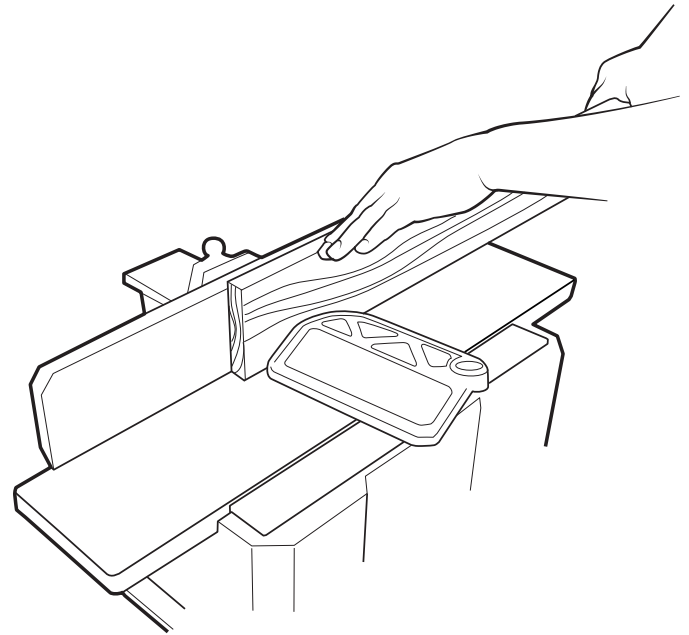


FIGURE 14

JOINTING BEVELED STOCK

⚠ WARNING: Disconnect the machine from the power source before making any adjustments!

The fence can adjust to an inward 45° angle and an outward 45° angle, enabling you to joint beveled stock. To adjust the fence tilt, do the following:

OUTWARD 45° ANGLE:

See Figure 15.

1. Loosen the beveling lock by rotating the handle (A) counterclockwise.
2. Pull the spring-loaded pin (B) up and pull the 45°/90° Stop (C) back slightly.
3. Release the spring-loaded pin and continue pulling the 45°/90° Stop until it locks in position.
4. Retighten the beveling lock. Use a combination square or carpenter's square to check the tilt angle. If it needs to be adjusted, refer to "Calibrating the 45°/90° Stops" on page 14.

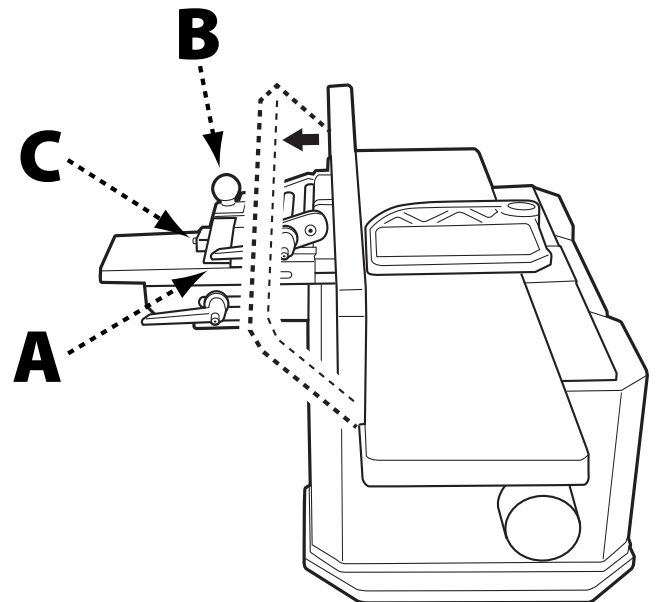


FIGURE 15

OPERATION

JOINTING BEVELED STOCK (continued)

INWARD 45° ANGLE:

See Figure 16.

1. Loosen the beveling lock (A) by rotating the handle counterclockwise.
2. Tip the fence toward the table as far as it will go. It will stop when the fence contacts the inward 45° stop bolts.
3. Retighten the beveling lock. Use a combination square or carpenter's square to check the tilt angle. If it needs to be adjusted, refer to "Calibrating the 45°/90° Stops" on page 14.

⚠ CAUTION: When jointing with the fence tilted inward at 45° feed the stock carefully to ensure that the workpiece does not become trapped between the fence and table, which can create a dangerous situation.

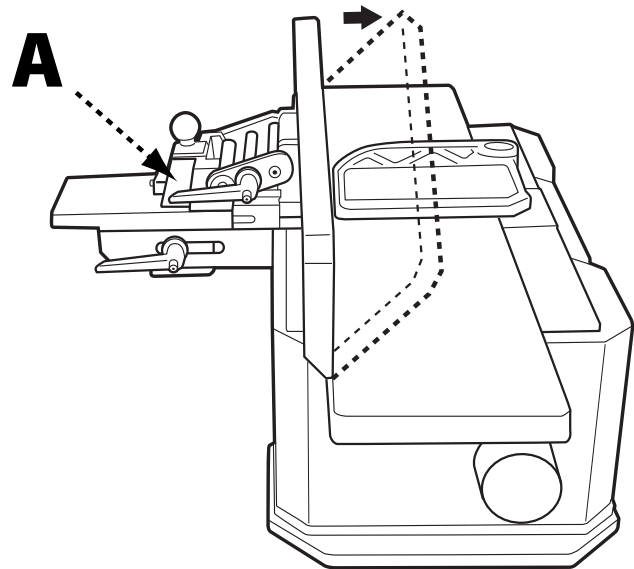


FIGURE 16

CALIBRATING THE 45°/90° STOPS

⚠ WARNING: Disconnect the machine from the power source before making any adjustments!

To ensure precise and accurate results, the 45° and 90° Stops must accurately position the fence in relation to the table surface.

TO CALIBRATE THE 90° STOP:

1. Loosen the beveling lock by rotating the handle counterclockwise.
2. Ensure the 45°/90° Stop is fully-engaged and locked in position.
3. Using a carpenter's square, with one edge flat on the table and the other against the fence, check to see if the fence and table are in square. If any adjustment is needed, proceed to step #4.
4. Loosen the retaining nut located on the 90° Stop rod.
5. Use a flat head screwdriver to adjust the position of the Stop rod. Refer to Figure 17. Turning the rod clockwise reduces the fence angle while rotating it counterclockwise increases the fence angle.
6. Re-tighten the retaining nut and re-lock the beveling lock. Then re-check the angle using the carpenter's square. Continue to adjust as needed.

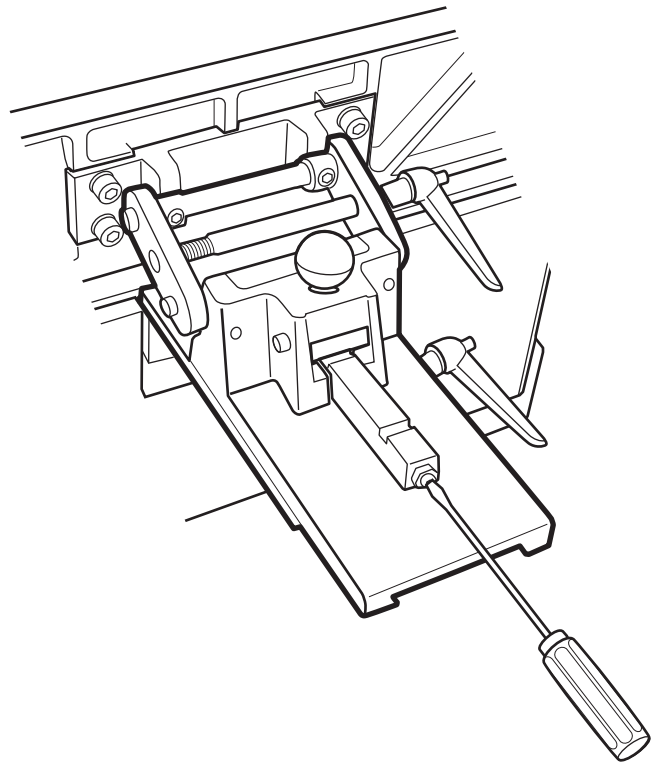


FIGURE 17

OPERATION

TO CALIBRATE THE 45° INWARD AND OUTWARD STOPS:

1. Loosen the beveling lock by rotating the handle counterclockwise.
2. Refer to Figure 18 and locate the two sets of 45° Stop Bolts (A), there are two bolts that set the position for the inward 45° Stop and two that set the position for the outward 45° stop.
3. Loosen the two retaining nuts on the appropriate set of Stop bolts and adjust the Stop bolts either in or out.

NOTE: The heads of both Stop bolts must be flush against the mount assembly.

4. Re-tighten the retaining nut and re-lock the beveling lock. Then re-check the angle using the carpenter's square. Continue to adjust as needed.

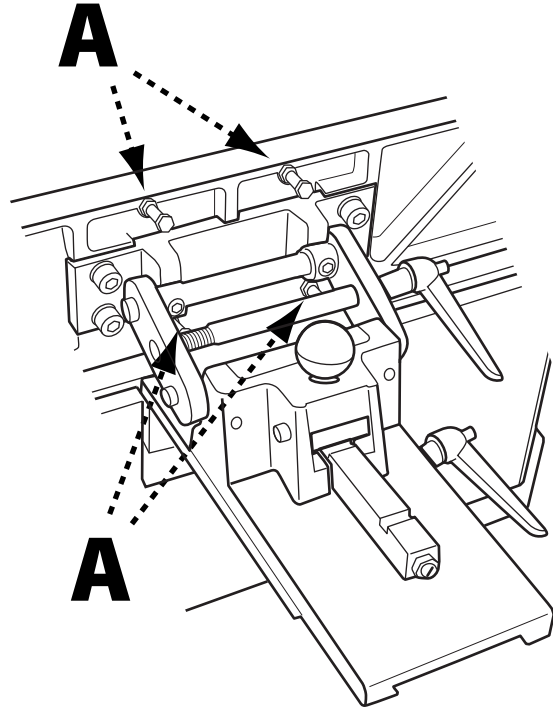


FIGURE 18

DEPTH ADJUSTMENT

⚠ WARNING: Disconnect the machine from the power source before making any adjustments!

The DELTA® 37-071 Bench Jointer is designed to remove no more than 1/8" of stock in a single pass. For operations requiring the removal of more stock, make several passes to achieve the desired dimensions.

1. To adjust the depth of cut, rotate the infeed table height adjustment wheel. Turning the wheel clockwise raises the table (reducing the depth of cut) while rotating it counterclockwise lowers the table (increasing the depth of cut).

MAINTENANCE

CHANGING CUTTERHEAD KNIVES

⚠ WARNING: Disconnect the machine from the power source before making any adjustments!

⚠ WARNING: Jointer knives are dangerously sharp. Use extreme caution when inspecting, removing, sharpening, or replacing knives into the cutterhead. Failure to comply may cause serious injury.

The DELTA® 37-071 6" Bench Jointer uses two individual knives. Should you notice a significant decrease in the performance of your jointer, it may be necessary to replace the knives. To do this, follow these steps:

1. Place a scrap piece of wood between the spring-loaded cutter guard and fence in order to fully expose the cutterhead.
2. Carefully and slowly rotate the cutterhead by hand until the clamp bar and four clamp screws (A) are accessible. See Figure 19.
3. Unscrew the clamp screws and remove the clamp bar.

⚠ CAUTION: Cutterhead knives are sharp. Use caution when handling cutterhead knives. Use gloves to reduce the risk of injury.

4. Carefully lift the knife from the cutterhead, taking care to note its proper orientation to the cutterhead.
5. Repeat Steps 2-4 for the second cutterhead knife.
6. Clean the cutterhead thoroughly before installing new knives or re-installing sharpened knives.
7. Install the new or re-sharpened knife and the clamp bar in the cutterhead. Slightly tighten each of the clamp screws, making sure to follow the sequence shown in Figure 20.

NOTE: Failure to follow the proper sequence for tightening the clamp screws may result in the position of the knife being altered which can affect the performance of the tool.

8. Repeat Step 7 for the second cutterhead knife.
9. Check the alignment on the knives to the surface of the outfeed table as described in the section Align Cutterhead to Outfeed table, on page 10. If necessary, rotate the two jack screws on either end of the cutterhead knife in order to ensure the knife is parallel to the outfeed table.

10. Perform final tightening on each of the four clamp screws uses the proscribed sequence in Figure 19.
11. Remove the scrap wood block and return the cutterhead guard to original operating position. Re-align the fence as needed and test the jointer on a piece of scrap stock.

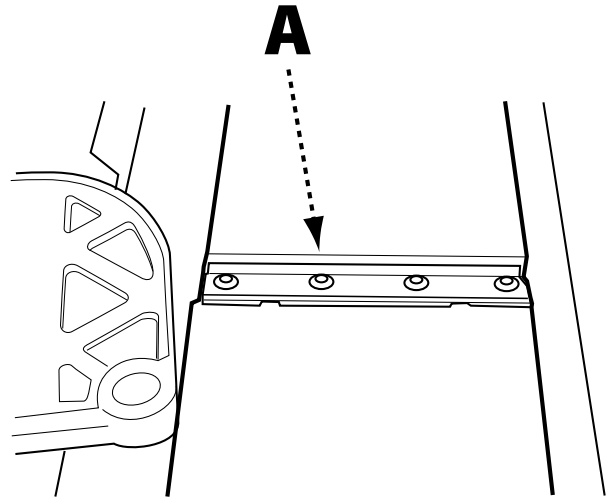


FIGURE 19

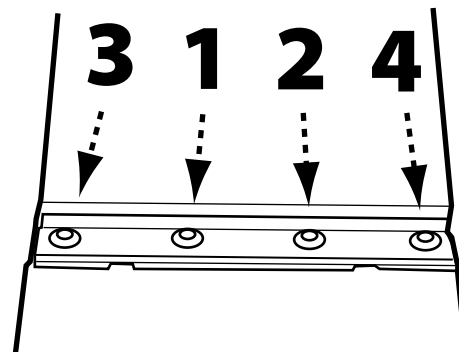


FIGURE 20

OTHER RECOMMENDED MAINTENANCE

1. Periodically blow out all air passages with dry compressed air. All plastic parts should be cleaned with a soft damp cloth. NEVER use solvents to clean plastic parts. They could possibly dissolve or otherwise damage the material.
2. Periodically check tightness on all other hardware and listen for any unusual vibrations as you work as these may be a sign of loose hardware.

ACCESSORIES

A complete line of accessories is available from your DELTA® Supplier, DELTA® Factory Service Centers, and DELTA® Factory Service Centers, and DELTA® Authorized Service Centers. Please visit our Web Site www.DeltaMachinery.com for an online catalog or for the name or your nearest supplier.

⚠ WARNING: Since accessories other than those offered by DELTA® have not been tested with this product, use of such accessories could be hazardous. For safest operation, only DELTA® recommended accessories should be used with this product.

WARRANTY

To register your tool for warranty service visit our website at www.DeltaMachinery.com.

Five Year Limited New Product Warranty

DELTA® will repair or replace, at its expense and at its option, any new DELTA® machine, machine part, or machine accessory which in normal use has proven to be defective in workmanship or material, provided that the customer returns the product prepaid to a DELTA® factory service center or authorized service station with proof of purchase of the product within five years and provides DELTA® with reasonable opportunity to verify the alleged defect by inspection. For all refurbished DELTA® product, the warranty period is 180 days. DELTA® will not be responsible for any asserted defect which has resulted from normal wear, misuse, abuse or repair or alteration made or specifically authorized by anyone other than an authorized DELTA® service facility or representative. Under no circumstances will DELTA® be liable for incidental or consequential damages resulting from defective products. Some states do not allow the exclusion or limitation of incidental or consequential damages, so the above limitation or exclusion may not apply to you. This warranty is DELTA®'s sole warranty and sets forth the customer's exclusive remedy, with respect to defective products; all other warranties, express or implied, whether of merchantability, fitness for purpose, or otherwise, are expressly disclaimed by DELTA®. For further detail of warranty coverage and warranty repair information, visit www.DeltaMachinery.com or call 1-800-223-7278. This warranty gives you specific legal rights and you may have other rights which vary in certain states or provinces.

LATIN AMERICA: This warranty does not apply to products sold in Latin America. For products sold in Latin America, see country specific warranty information contained in the packaging, call the local company or see website for warranty information.

PARTS, SERVICE OR WARRANTY ASSISTANCE

All DELTA[®] machines and accessories are manufactured to high quality standards and are serviced by a network of DELTA[®] Factory Service Centers and DELTA[®] Authorized Service Centers. To obtain additional information regarding your DELTA[®] quality product or to obtain parts, service, warranty assistance, or the location of the nearest service center, please call 1-800-223-7278.

REPLACEMENT PARTS

Use only identical replacement parts. For a parts list or to order parts, visit our website at www.DeltaMachinery.com/service. You can also order parts from your nearest factory-owned branch, Authorized Warranty Service Center or by calling Technical Service Manager at 1-800-223-7278 to receive personalized support from one of our highly-trained representatives.

FREE WARNING LABEL REPLACEMENT

If your warning labels become illegible or are missing, call 1-800-223-7278 for a free replacement.

| ⚠ WARNING | ⚠ ADVERTENCIA |
|---|---|
| <ol style="list-style-type: none"> 1. For your own safety read and understand instruction manual before operating jointer. 2. Always wear ANSI Z87.1 approved safety glasses. 3. Always keep cutterhead and knife guards in place and in proper working condition. Do not remove guard for rabbeting operations. 4. Never make jointing, planing or rabbeting cuts deeper than 1/8 in. (3mm). 5. Always use hold down/push blocks for jointing material narrower than 3 in. (76mm), or planing material thinner than 3 in. (76mm). 6. Never perform jointing, planing, or rabbeting cuts on pieces shorter than 8 1/8 in. (206mm) in length. 7. Do not expose to rain or damp locations. 8. To avoid kickbacks, use this machine for single board surfacing only. | <ol style="list-style-type: none"> 1. Pour votre propre sécurité, veuillez lire et comprendre le manuel d'instructions avant d'utiliser la dégauchisseuse. 2. Portez toujours des lunettes de sécurité homologuées ANSI Z87.1. 3. Laissez toujours les protections du porte-fers et des fers en place et en bon état de fonctionnement. Ne pas enlever le protecteur pour les opérations de refeuillement. 4. N'effectuez jamais de jointage, de rabotage ou de refeuillement à plus de 1/8 po (3mm) de profondeur. 5. Utilisez toujours des blocs-poussoirs ou de maintien pour le jointage de matériaux plus étroits que 3 po (76mm), ou le rabotage de matériaux plus minces que 3 po (76mm). 6. N'effectuez jamais de jointage, de rabotage ou de refeuillement sur des pièces d'une longueur inférieure à 8-1/8 po (206mm). 7. N'exposez pas l'outil à la pluie ou aux endroits humides. 8. Pour éviter les rebonds, utilisez le même outil pour le dégauchissage de panneaux simples seulement. |
| DPEC002256 | |

| ⚠ WARNING | ⚠ AVERTISSEMENT |
|---|---|
| <ol style="list-style-type: none"> 1. Install the dust collection accessories before operation. 2. Install the dust collection bag safely. 3. Don't touch the dust port. | <ol style="list-style-type: none"> 1. Fixez les accessoires de collecte de poussière avant l'utilisation. 2. Fixez le sac de collecte de poussière de manière sécuritaire. 3. Ne touchez pas l'orifice d'évacuation de la poussière. |
| DPEC002257 | |

SERVICE AND REPAIRS

All quality tools will eventually require servicing and/or replacement of parts. For information about DELTA[®] Power Equipment Corporation, its factory-owned branches, or to locate an Authorized Warranty Service Center, visit our website at www.DeltaMachinery.com/service or call our Customer Care Center at 1-800-223-7278. All repairs made by our service centers are fully guaranteed against defective material and workmanship. We cannot guarantee repairs made or attempted by others. By calling this number you can also find answers to most frequently asked questions 24 hours/day.

You can also write to us for information at DELTA[®] Power Equipment Corporation, 99 Roush St., Anderson, SC 29625. - Attention: Technical Service Manager. Be sure to include all of the information shown on the nameplate of your tool (model number, type, serial number, date code, etc.)

CONSIGNES DE SÉCURITÉ IMPORTANTES

⚠ AVERTISSEMENT : ASSUREZ-VOUS D'AVOIR BIEN LU ET COMPRIS TOUTES LES MISES EN GARDE ET LES CONSIGNES D'UTILISATION AVANT D'UTILISER CET ÉQUIPEMENT. Le fait de ne pas respecter toutes les instructions ci-dessous pourrait causer une électrocution, des incendies, et/ou des blessures personnelles ou des dommages matériels graves.

Le travail du bois peut être dangereux si des procédures d'utilisation sécuritaires et adéquates ne sont pas respectées. Comme c'est le cas pour toute pièce de machinerie, l'utilisation de ce produit comporte certains dangers. En utilisant cet appareil selon les directives et avec prudence, vous réduirez de façon importante les risques de blessures corporelles. Cependant, si les précautions normales de sécurité sont négligées ou ignorées, la personne qui utilise l'appareil pourrait être blessée. L'équipement de protection comme les gardes, les poussoirs, les dispositifs de retenue, les planches de protection, les lunettes de sécurité, les masques antipoussières et la protection pour l'ouïe peut réduire le risque de blessure. Cependant, même le meilleur dispositif de protection ne peut compenser un mauvais jugement, un manque de prudence ou d'inattention. **Utilisez toujours le bon sens** et soyez prudent dans l'atelier. Si une manœuvre a l'air dangereuse, ne l'effectuez pas. Essayez plutôt de trouver un moyen plus facile. **RAPPELEZ-VOUS :** vous êtes responsable de votre sécurité personnelle. Pour des renseignements complémentaires, rendez-vous sur notre site Web à l'adresse suivante www.DeltaMachinery.com.



⚠ AVERTISSEMENT : Cet appareil a été conçu seulement pour certaines utilisations. DELTA^{MD} Power Equipment Corporation recommande fortement que cet appareil ne soit pas modifié ni utilisé pour toutes autres fins que celles pour lesquelles il a été conçu. Si vous avez des questions sur une utilisation en particulier, N'UTILISEZ PAS l'appareil avant d'avoir d'abord communiqué avec DELTA^{MD} pour déterminer si cette utilisation peut ou si elle devrait être faite sur ce produit.

Si vous avez des questions relativement à son utilisation, N'UTILISEZ PAS le produit tant que vous n'aurez pas communiqué par écrit avec DELTA^{MD} Power Equipment Corporation et obtenu une réponse de sa part. Contactez-nous en ligne à www.DeltaMachinery.com ou par courrier à l'adresse suivante : Responsable du service technique, DELTA^{MD} Power Equipment Corporation, 99 Roush St., Anderson, SC 29625.

Des renseignements au sujet de l'utilisation sécuritaire et appropriée de cet appareil sont disponibles auprès des sources suivantes :

- Power Tool Institute, 1300 Sumner Avenue, Cleveland, OH 44115-2851 ou en ligne sur www.powertoolinstitute.com
- National Safety Council, 1121 Spring Lake Drive, Itasca, IL 60143-3201
- American National Standards Institute, 25 West 43rd Street, 4 floor, New York, NY 10036 www.ansi.org - ANSI 01.1 Safety Requirements for Woodworking Machines
- Réglementation du Département américain du travail (OSHA) à l'adresse www.osha.gov

CONSIGNES DE SÉCURITÉ - DÉFINITIONS

Ce manuel contient des renseignements qu'il est important de connaître et de comprendre. Ces renseignements ont pour but d'assurer VOTRE SÉCURITÉ et de PRÉVENIR LES PROBLÈMES D'ÉQUIPEMENT. Pour vous aider à reconnaître ces renseignements, nous utilisons les symboles ci-dessous. Veuillez lire le manuel et prêter attention à ces sections.

⚠ DANGER : Indique une situation extrêmement dangereuse qui, si elle n'est pas évitée, entraînera la mort ou une blessure grave.

⚠ AVERTISSEMENT : Indique une situation potentiellement dangereuse qui, si elle n'est pas évitée, pourrait entraîner la mort ou une blessure grave.

⚠ ATTENTION : Indique une situation potentiellement dangereuse qui, si elle n'est pas évitée, peut entraîner une blessure mineure ou modérée.

ATTENTION : Utilisé sans le symbole d'avertissement, indique une situation potentiellement dangereuse qui, si elle n'est pas évitée, peut endommager l'appareil.

RÈGLES DE SÉCURITÉ GÉNÉRALES

⚠ AVERTISSEMENT : LE NON-RESPECT DE CES RÈGLES PEUT ENTRAÎNER DES BLESSURES PERSONNELLES GRAVES.

- **POUR VOTRE PROPRE SÉCURITÉ, ASSUREZ-VOUS D'AVOIR BIEN LU ET COMPRIS LE MANUEL D'UTILISATION AVANT DE FAIRE FONCTIONNER L'APPAREIL.** Apprenez à connaître son domaine d'utilisation et ses limites, ainsi que les dangers qui lui sont rattachés.
- **MAINTENEZ L'AIRE DE TRAVAIL PROPRE.** Les aires et les bancs de travail encombrés sont propices aux accidents.
- **NE PAS UTILISER DANS UN ENVIRONNEMENT DANGEREUX.** N'utilisez pas cet appareil dans un endroit humide ou mouillé, et ne l'exposez pas à la pluie. Gardez votre lieu de travail bien éclairé.
- **MAINTENEZ LES ENFANTS ET LES VISITEURS À L'ÉCART.** Tous les enfants et visiteurs doivent demeurer à une distance sécuritaire de l'aire de travail.
- **DÉBRANCHEZ L'APPAREIL** avant toute opération d'entretien.
- **VÉRIFIEZ LA PRÉSENCE DE PIÈCES ENDOMMAGÉES.** Avant d'utiliser l'appareil, bien réparer ou remplacer toute pièce endommagée.

⚠ AVERTISSEMENT : LE NON-RESPECT DE CES RÈGLES PEUT ENTRAÎNER DES BLESSURES GRAVES.

1. Assurez-vous de lire et comprendre les avertissements affichés sur l'appareil et dans ce manuel. Le non respect de tous ces avertissements peut entraîner des blessures graves.
2. Remplacez les étiquettes d'avertissement si elles sont masquées ou supprimées.
3. Cet appareil est conçu pour l'utilisation par un personnel qualifié et expérimenté seulement. En cas de non familiarité avec le bon fonctionnement sécuritaire d'une scie à ruban, ne l'utilisez pas avant d'avoir reçu la formation et les connaissances appropriées.
4. Ne pas utiliser cet appareil pour autre chose que son usage prévu. S'il est utilisé à d'autres fins, DELTA® Power Equipment Corporation décline toute garantie réelle ou implicite et se dégage de toute responsabilité pour toute blessure qui pourrait résulter de cette utilisation.
5. Portez toujours des lunettes de protection ou des écrans faciaux approuvés lors de l'utilisation de cet outil.
6. Avant d'utiliser cet outil, enlevez cravate, bagues, montres et autres bijoux, et retroussiez vos manches au-dessus du coude. Retirez tous les vêtements amples et retenez les cheveux longs. Il est recommandé de porter des chaussures antidérapantes ou de poser des bandes antidérapantes au sol. Ne portez pas de gants.
7. Portez des protecteurs pour l'ouïe (bouchons ou manchons) pendant les longues périodes de fonctionnement.
8. Certaines poussières créées par le ponçage mécanique, le sciage, le broyage, le perçage et d'autres activités de construction contiennent des produits chimiques identifiés comme causes de cancer, d'anomalies congénitales ou d'autres préjudices liés à la reproduction. En voici des exemples :
 - plomb de peintures à base de plomb;
 - silice cristalline de briques, de ciment et d'autres produits de maçonnerie;
 - arsenic et chrome de bois de sciage traité chimiquement.
9. N'utilisez pas cet appareil en état de fatigue ou avec les facultés affaiblies par la drogue, l'alcool ou les médicaments.
10. Avant de brancher l'appareil sur la source d'alimentation, assurez-vous que l'interrupteur est en position « OFF » (Arrêt).
11. Assurez-vous que l'appareil est correctement mis à la terre.
12. Ne faites les réglages de l'appareil ou son entretien que lorsque celui-ci est débranché de la source d'alimentation.
13. Prenez l'habitude de vérifier que tout l'équipement supplémentaire tel que les clés de réglage, les clés à molette, la ferraille, le matériel et les chiffons de nettoyage a été éloigné de l'appareil avant de le mettre en marche.
14. Gardez les dispositifs de protection en place en tout temps lorsque l'appareil est utilisé. Faites preuve d'une extrême prudence s'ils sont enlevés à des fins d'entretien et remettez-les en place dès la fin de l'entretien.
15. Assurez-vous que l'outil est solidement fixé sur une surface de travail stable avant de l'utiliser.
16. Vérifiez si des pièces sont endommagées. Avant d'utiliser l'appareil, il faut vérifier soigneusement le dispositif de protection ou toute autre pièce endommagée afin de s'assurer que l'appareil fonctionnera correctement et remplira sa fonction prévue. Vérifiez l'alignement des pièces mobiles et leurs joints, tout bris de pièce et du cadrage et toute autre condition qui pourrait en modifier le fonctionnement. Un garde ou une autre pièce endommagée doivent être réparés ou remplacés sans tarder.
17. Prévoyez un espace suffisant autour de la zone de travail et un éclairage en plongée non éblouissant.

suite à la page 22

18. Gardez le plancher autour de l'appareil propre et exempt de débris, d'huile et de graisse.
19. Gardez les visiteurs à une distance sécuritaire de la zone de travail. Tenez les enfants à distance.
20. Rendez votre atelier à l'épreuve des enfants au moyen de cadenas, de commutateurs principaux ou en retirant les clés de mise en marche.
21. Concentrez-vous uniquement sur le travail. Regarder aux alentours, tenir une conversation et faire du chahut sont des actes négligents qui peuvent entraîner des blessures graves.
22. Maintenez une position équilibrée en tout temps afin de ne pas tomber ou de ne pas vous appuyer sur l'outil ou sur ses pièces mobiles. Évitez de vous étirer ou d'utiliser une force excessive pour effectuer toute opération avec l'appareil.
23. Utilisez l'outil approprié à la bonne vitesse et au bon débit. Ne forcez pas un outil ou un accessoire à effectuer une tâche pour laquelle il n'a pas été conçu. Le bon outil fera mieux le travail et sera plus sécuritaire.
24. Utilisez les pièces recommandées; les accessoires inadéquats peuvent être dangereux.
25. Entretenez les appareils avec soin. Suivez les indications relatives à la lubrification et au changement d'accessoire.

26. Débranchez l'appareil avant le nettoyage. Utilisez une brosse ou de l'air comprimé pour enlever de la poussière ou des débris; n'utilisez pas vos mains.
27. Ne vous tenez pas debout sur l'appareil. Des blessures graves pourraient se produire si l'appareil se renverse.
28. Ne jamais laisser l'appareil sans surveillance lorsqu'il est en marche. Débranchez l'appareil et ne le laissez pas sans surveillance jusqu'à son arrêt complet.
29. Tenez la poignée fermement en tout temps.
30. N'utilisez pas cet outil pour d'autres fins que celles pour lesquelles il est prévu. S'il est utilisé à d'autres fins, DELTA^{MD} Power Equipment Corporation décline toute garantie réelle ou implicite et se dégage de toute responsabilité pour toute blessure qui pourrait résulter de cette utilisation.

Familiarisez-vous avec les règles de sécurité enseignées dans ce manuel :

⚠ ATTENTION :

Cela signifie que le non-respect des précautions peut entraîner des blessures superficielles et/ou endommager l'appareil.

⚠ AVERTISSEMENT :

Cela signifie que le non-respect des précautions peut causer des blessures graves pouvant même entraîner la mort.

RÈGLES DE SÉCURITÉ SPÉCIFIQUES SUPPLÉMENTAIRES

⚠ AVERTISSEMENT : Le non-respect de ces règles peut provoquer des blessures graves.

1. **N'UTILISEZ PAS CET APPAREIL AVANT** qu'il soit entièrement assemblé et installé conformément aux instructions. Un appareil qui n'est pas correctement assemblé peut provoquer une blessure grave.
2. **DEMANDEZ CONSEIL** à votre superviseur, enseignant ou autre personne qualifiée si vous ne savez pas exactement comment fonctionne cet appareil. La connaissance c'est la sécurité.
3. **SUIVEZ TOUS LES CODES DE CÂBLAGE** et les branchements électriques recommandés pour éviter une décharge électrique ou une électrocution.
4. **GARDEZ LES LAMES AIGUISÉES** et exemptes de rouille et de débris. Les lames non aiguisées ou rouillées travaillent plus et peuvent provoquer un rebond.
5. **SERREZ LES TABLES D'ENTRÉE / DE SORTIE** avant de démarrer la machine. La perte de contrôle de la pièce de travail peut provoquer des blessures graves.
6. **FIXEZ CORRECTEMENT LES LAMES DANS LE PORTE-OUTIL** avant de mettre la machine en marche. Des lames desserrées peuvent être éjectées à grande vitesse.
7. **NE METTEZ JAMAIS LA MACHINE EN MARCHÉ** avant d'avoir enlevé tous les objets sur la table (outils, chutes de bois, etc.). Les projectiles peuvent provoquer une blessure grave.
8. **NE METTEZ JAMAIS LA MACHINE EN MARCHÉ** si la pièce de travail touche le porte-outil. Un rebond peut se produire.
9. **ÉVITEZ LES POSITIONS INCONFORTABLES DE TRAVAIL ET DES MAINS.** Un glissement soudain peut pousser votre main sur le porte-outil.
10. **GARDEZ LES BRAS, LES MAINS ET LES DOIGTS** loin du porte-outil pour éviter des blessures graves.
11. **NE JAMAIS FAIRE DES COUPES** plus profondes que 3,2 mm (1/8 po) pour éviter tout effet de rebond
12. **NE JAMAIS JOINTOYER OU RABOTER UNE PIÈCE** de moins de 254 mm (10 po) de longueur, plus étroite que 19 mm (3/4 po) ou de moins de 12,7 mm (1/2 po) d'épaisseur. En jointoyant des

RÈGLES DE SÉCURITÉ SPÉCIFIQUES SUPPLÉMENTAIRES

pièces plus petites vous pourriez toucher le porte-outil, provoquant de graves blessures.

13. **Pour jointoyer ou raboter toute pièce moins élevée que le guide, UTILISEZ DES BLOCS DE MAINTIEN DE PIÈCE SUR LA TABLE ET DES BLOCS POUSSOIRS.** Jointoyer ou raboter de petites pièces peut entraîner un effet de rebond et causer de graves blessures.
14. **TENEZ SOLIDEMENT LA PIÈCE** contre la table et le guide. La perte de contrôle d'une pièce peut provoquer des rebonds et causer de graves blessures.
15. **NE JAMAIS EFFECTUER D'OPÉRATIONS « À MAINS LIBRES ».** Utilisez le guide pour positionner et guider la pièce. La perte de contrôle d'une pièce peut provoquer des blessures graves.
16. **NE PAS** essayer d'exécuter une opération anormale ou peu courante sans vous renseigner sur les ouvrages similaires et sans utiliser les blocs de maintien / blocs pousoirs, les serre-joints, les dispositifs de sécurité, les butées, etc.
17. **N'INSÉREZ PAS UNE PIÈCE** dans l'extrémité de sortie de la machine. La pièce sera éjectée du côté opposé à grande vitesse.
18. **N'INSÉREZ PAS UNE PIÈCE** qui est déformée, qui contient des nœuds ou qui est incrustée d'objets étrangers (clous, agrafes, etc.) pour éviter les rebonds.
19. **MAINTENEZ LA BONNE RELATION ENTRE LES SURFACES DES TABLES D'ENTRÉE ET DE SORTIE** et la voie de la lame. La perte de contrôle d'une pièce peut provoquer des blessures graves.
20. **SOUTENEZ CORRECTEMENT LES PIÈCES PARTICULIÈREMENT LONGUES OU LARGES.** La perte de contrôle d'une pièce peut provoquer des blessures.
21. **NE JAMAIS EFFECTUER D'OPÉRATIONS DE TRAÇAGE, D'ASSEMBLAGE OU DE RÉGLAGE** sur la table/l'espace de travail lorsque la machine est en marche. Un glissement soudain peut pousser votre main sur le porte-outil. Des blessures graves peuvent en résulter.
22. **ÉTEIGNEZ LA MACHINE** et débranchez-la de la source d'alimentation. Nettoyez la table/l'espace de travail avant de quitter la machine. **VERROUILLEZ L'INTERRUPTEUR EN POSITION « OFF » (ARRÊT)** pour empêcher une utilisation non autorisée. Une autre personne pourrait accidentellement mettre la machine en marche et se blesser.
23. **DE PLUS AMPLES RENSEIGNEMENTS** sur l'utilisation sécuritaire et adéquate des outils électriques (par exemple, une vidéo sur la sécurité) sont disponibles auprès du Power Tool Institute, 1300 Summer Avenue, Cleveland, OH 44115-2851 (www.powertoolinstitute.com). Le National Safety Council, 1121 Spring Lake Drive, Itasca, IL 60143-3201 est aussi une source de renseignements sur le sujet. Veuillez consulter la norme de sécurité pour les machines de travail du bois ANSI 01.1 (Safety Requirements for Woodworking Machines) de l'American National Standards Institute ainsi que la réglementation OSHA 1910.213 du département américain du travail.

CONSERVEZ CES CONSIGNES.

Consultez-les souvent et utilisez-les pour enseigner les autres.

RACCORDEMENTS ÉLECTRIQUES

Un circuit électrique séparé devrait être utilisé pour vos appareils. Les fils du circuit doivent être au moins de calibre 12 et être protégés par un fusible à action différée de 20 ampères. Si vous utilisez une rallonge, ne prenez que des rallonges à trois fils avec des fiches de mise à la terre à trois broches et un réceptacle correspondant qui acceptera la fiche de l'appareil. Avant de brancher l'appareil sur l'alimentation, assurez-vous que le commutateur est en position « OFF » (« Arrêt ») et que le courant électrique que vous allez utiliser possède les mêmes caractéristiques que celui indiqué sur l'appareil. Tous les raccordements doivent établir un bon contact. Une utilisation en basse tension endommagera l'appareil.

⚠ DANGER : NE PAS UTILISER L'APPAREIL DANS UN ENDROIT HUMIDE OU MOUILLÉ ET NE PAS L'EXPOSER À LA PLUIE.

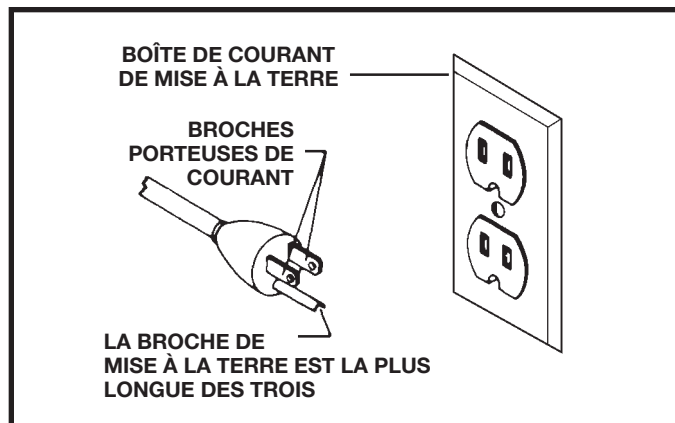


FIG. A

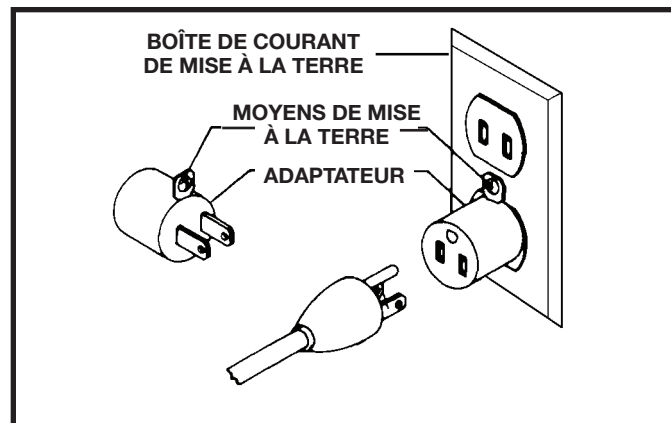


FIG. B

SPÉCIFICATIONS DU MOTEUR

Cette machine est câblée pour un fonctionnement sur un courant alternatif de 110 volts 60 Hz. Avant de brancher la machine sur la source d'alimentation, assurez-vous que l'interrupteur est en position « OFF » (Arrêt).

INSTRUCTIONS DE MISE À LA TERRE

⚠ DANGER : CET APPAREIL DOIT ÊTRE MIS À LA TERRE LORSQU'IL EST UTILISÉ POUR PROTÉGER L'OPÉRATEUR CONTRE L'ÉLECTROCUTION.

1. Pour tous les appareils branchés par un cordon d'alimentation et mis à la terre :

En cas de mauvais fonctionnement ou de panne, la mise à la terre fournit un chemin de moindre résistance au courant électrique visant à réduire le risque d'électrocution. Cet appareil est équipé d'un cordon électrique possédant un conducteur de terre et une fiche de terre. La fiche doit être branchée sur une prise correctement installée et mise à la terre conformément à tous les codes et règlements locaux.

Ne pas modifier la fiche prévue. Si elle n'entre pas dans la prise, faire installer une prise appropriée par un électricien agréé.

Le raccordement inapproprié du conducteur de terre de l'équipement peut provoquer l'électrocution. Le fil conducteur avec un isolant comportant une surface extérieure verte, avec ou sans rayures jaunes, est le conducteur de terre. Si la réparation ou le remplacement du cordon électrique ou de la fiche est nécessaire, ne branchez pas le conducteur de terre à une borne sous tension.

Si les consignes de mise à la terre ne sont pas complètement comprises ou en cas de doute concernant la mise à la terre de l'appareil, se renseigner auprès d'un électricien ou du personnel de service agréés.

Utiliser uniquement des rallonges à trois fils avec des fiches de mise à la terre à trois broches et des réceptacles à 3 conducteurs adaptés à la fiche de l'appareil, comme indiqué à la Fig. A.

Réparer et remplacer immédiatement tout cordon endommagé ou usé.

⚠ DANGER : DANS TOUS LES CAS, ASSUREZ-VOUS QUE LE RÉCEPTACLE EN QUESTION EST BIEN RELIÉ À LA TERRE. SI VOUS N'ÊTES PAS CERTAIN, FAITES VÉRIFIER LE RÉCEPTACLE PAR UN ÉLECTRICIEN QUALIFIÉ.

RALLONGES

⚠ ATTENTION : Utilisez des rallonges appropriées. Assurez-vous que la rallonge est en bon état et qu'il s'agit d'une rallonge à trois fils avec une fiche de mise à la terre à trois broches et d'un réceptacle correspondant à la fiche de l'appareil. Lorsque vous utilisez une rallonge, assurez-vous qu'elle soit de calibre suffisamment élevé pour assurer l'alimentation de l'appareil. Une rallonge d'un calibre trop petit provoquera une chute de tension, entraînant une perte de puissance et une surchauffe. Le tableau indique le bon calibre à utiliser en fonction de la longueur de la rallonge. En cas de doute, utiliser le calibre immédiatement supérieur. Plus le numéro de calibre est petit, plus le cordon est épais.

| CALIBRE MINIMUM POUR LA RALLONGE | | | |
|---|-------|---|------------------------|
| CALIBRES RECOMMANDÉS POUR UTILISATION SUR DES APPAREILS ÉLECTRIQUES STATIONNAIRES | | | |
| Intensité | Volts | Longueur totale du cordon en mètres (pieds) | Calibre de la rallonge |
| 0-6 | 120 | jusqu'à 7,6 (25) | 18 AWG |
| 0-6 | 120 | 7,6-15,2 (25-50) | 16 AWG |
| 0-6 | 120 | 15,2-30,5 (50-100) | 16 AWG |
| 0-6 | 120 | 30,5-45,7 (100-150) | 14 AWG |
| 6-10 | 120 | jusqu'à 7,6 (25) | 18 AWG |
| 6-10 | 120 | 7,6-15,2 (25-50) | 16 AWG |
| 6-10 | 120 | 15,2-30,5 (50-100) | 14 AWG |
| 6-10 | 120 | 30,5-45,7 (100-150) | 12 AWG |
| 10-12 | 120 | jusqu'à 7,6 (25) | 16 AWG |
| 10-12 | 120 | 7,6-15,2 (25-50) | 16 AWG |
| 10-12 | 120 | 15,2-30,5 (50-100) | 14 AWG |
| 10-12 | 120 | 30,5-45,7 (100-150) | 12 AWG |
| 12-16 | 120 | jusqu'à 7,6 (25) | 14 AWG |
| 12-16 | 120 | 7,6-15,2 (25-50) | 12 AWG |
| 12-16 | 120 | UNE LONGUEUR DE PLUS DE 15,2 MÈTRES (50 PIEDS) N'EST PAS RECOMMANDÉE. | |

CARACTÉRISTIQUES ET COMPOSANTS IMPORTANTS

A. Tables d'entrée / de sortie

B. Réglage de la profondeur de coupe

C. Interrupteur ON/OFF (marche/arrêt)

D. Porte-outil (non visible)

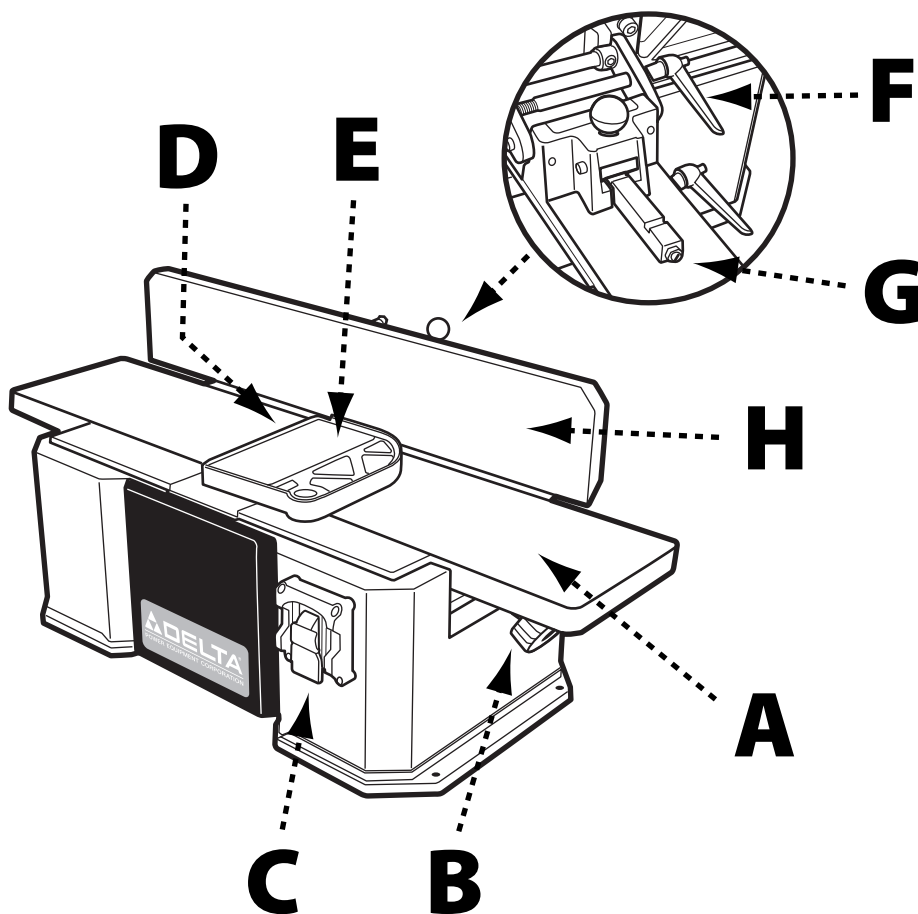
E. Capot de protection

F. Butée angulaire du guide

G. Mécanisme de butée pour l'angle de biseau de 45°

H. Guide arrière

REMARQUE : Le support du guide comporte un dispositif de protection coulissant rouge. Assurez-vous que le dispositif de protection se déplace librement avec le guide.



DESCRIPTION FONCTIONNELLE

La DELTA® 37-071 est une dégauchisseuse d'établi de 152 mm (6 po) conçue avec une capacité de 152 mm (6 po) de largeur et 3,2 mm (1/8 po) de profondeur. Elle comporte un moteur de 110 volts à 10 000 tr/min, une entrée et une sortie, un guide inclinable monté au centre et un porte-outil à deux lames.

CARACTÉRISTIQUES DU PRODUIT

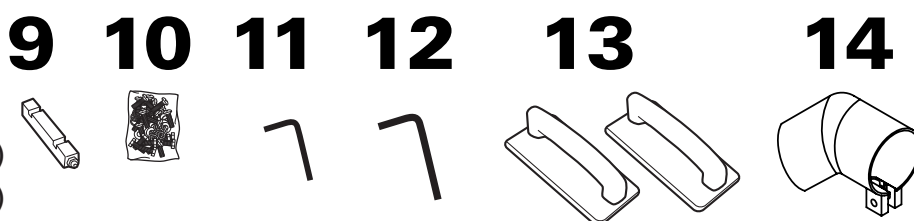
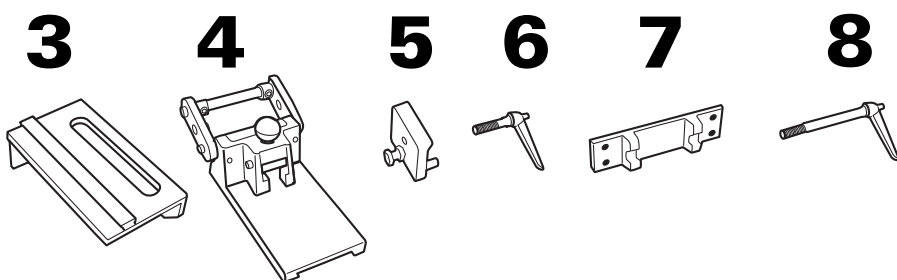
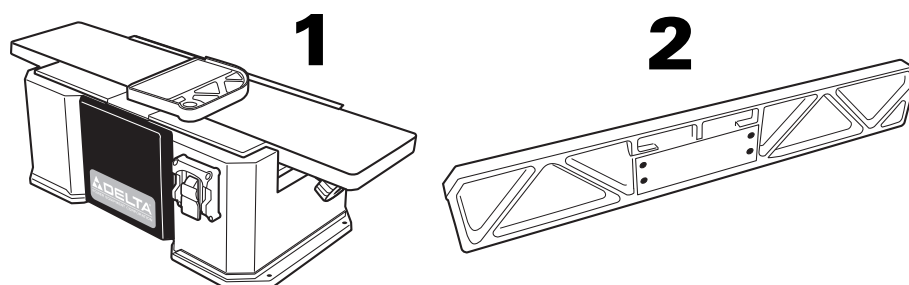
| | |
|----------------------------------|---|
| Poids | 34,5 kg (76 lb) |
| Dimensions hors tout (L x l x H) | 660 mm x 203 mm x 254 mm (26 x 8 x 10 po) |
| Dimensions de la table (L x l) | 724 mm x 159 mm (28-1/2 po x 6- \square po) |
| Moteur | 12 ampères 120 V Monophasé 60 Hz |
| Largeur de coupe maximum | 152 mm (6 po) |
| Profondeur de coupe maximum | 3,2 mm (1/8 po) |
| Nombre de lames | 2 |
| Coupes par minute | 20 000 |
| Longueur du guide | 581 mm (22-7/8 po) |
| Hauteur du guide | 109 mm (4-5/16 po) |
| Angle du guide | 90° et 45° et 135° |
| Diamètre du porte-outil | 47.6 mm (1-7/8 po) |
| Vitesse du porte-outil | 10 000 tr/min |

DÉBALLAGE

Comparez toutes les pièces à la liste ci-dessous et vérifiez que toutes les pièces sont présentes et en bon état. Signalez toute pièce manquante ou endommagée à votre distributeur ou revendeur. Avant de passer à l'assemblage de la machine et à son utilisation, lisez attentivement le présent manuel pour vous familiariser avec les procédures d'assemblage, d'entretien et de sécurité appropriées.

DESCRIPTION (QUANTITÉ)

1. Dégauchisseuse de 152 mm (6 po) 37-071 (1)
2. Guide
3. Support de guide arrière (1)
4. Support de guide arrière (1)
5. Pince à queue d'aronde (1)
6. Poignée de blocage à ressort (1)
7. Support de fixation du guide (1)
8. Butée angulaire du guide (1)
9. Butée angulaire de 45°/90° (1)
10. Quincaillerie (1)
11. Clé hexagonale de 4 mm (1)
12. Clé hexagonale de 6 mm (1)
13. Blocs-poussoirs (2)
14. Sortie de Poussière (1)
15. Manuel d'utilisation (pas illustré)



CONTENU DU CARTON DE QUINCAILLERIE

- Vis à tête hexagonale M8 x 16 mm (4)
- Vis à tête hexagonale M8 x 20 mm (2)
- Rondelles de blocage de 8 mm (6)

DÉBALLAGE

Retirez tout matériau et enduit de protection de l'ensemble des éléments et de l'outil. Les enduits de protection peuvent être enlevés en les pulvérisant de WD-40 et en les essuyant avec un chiffon doux. Il peut être nécessaire de répéter cette opération plusieurs fois avant que tous les enduits de protection soient complètement enlevés.

⚠ AVERTISSEMENT S'il y a des pièces manquantes, n'essayez pas de brancher le cordon d'alimentation et de mettre la machine en marche. La machine doit seulement être mise en marche (« ON ») quand toutes les pièces auront été obtenues et correctement installées.

MONTAGE

ASSEMBLAGE DU GUIDE

1. Fixez le support de fixation du guide (A) à la base de la dégauchisseuse à l'aide de quatre vis à tête ronde M8 x 25 mm (B), toutes équipées d'une rondelle de blocage de 8 mm. Voir Figure 1. Faites en sorte que la surface supérieure du support soit de niveau avec la partie supérieure de la table.
2. En consultant la Figure 2, faites glisser la pince à queue d'aronde (C) sur le support de fixation du guide (D) en veillant à ce que les sommets des deux broches de fond dans la pince soient au ras de la surface inférieure de la patte du support de fixation du guide. Fixez la pince à queue d'aronde sur le support de fixation du guide à l'aide de la poignée de blocage à ressort (E).
3. Fixez le support de fixation du guide (A) sur le guide (B) à l'aide de quatre vis à tête ronde M8 x 25 mm et de rondelles de blocage de 8 mm. Voir Figure 3.
4. Faites glisser le guide assemblé (A) sur le support du guide (B). Le bord gauche du guide doit être aligné avec le bord gauche du support. Le bord de la queue d'aronde sur le côté droit doit être en prise avec la pince à queue d'aronde. Serrez solidement la poignée de blocage à ressort et alignez l'ensemble. Assurez-vous que le dispositif de protection rouge coulissant se déplace librement et s'attache aux aimants sur le côté arrière du guide. Voir Figure 4.

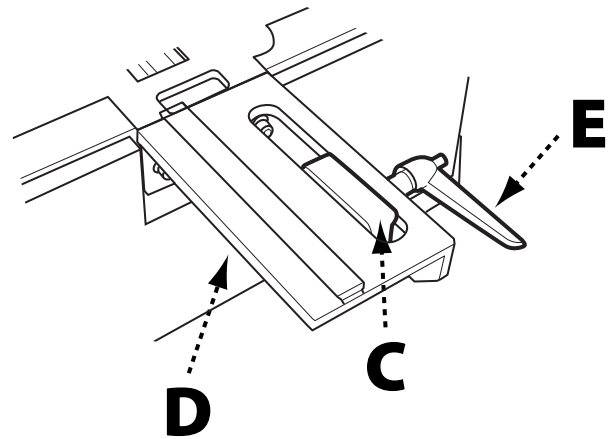


FIGURE 2

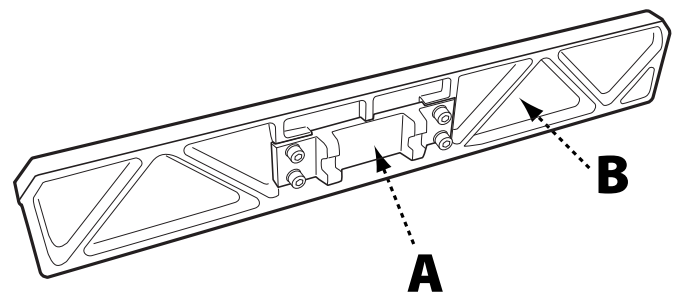


FIGURE 3

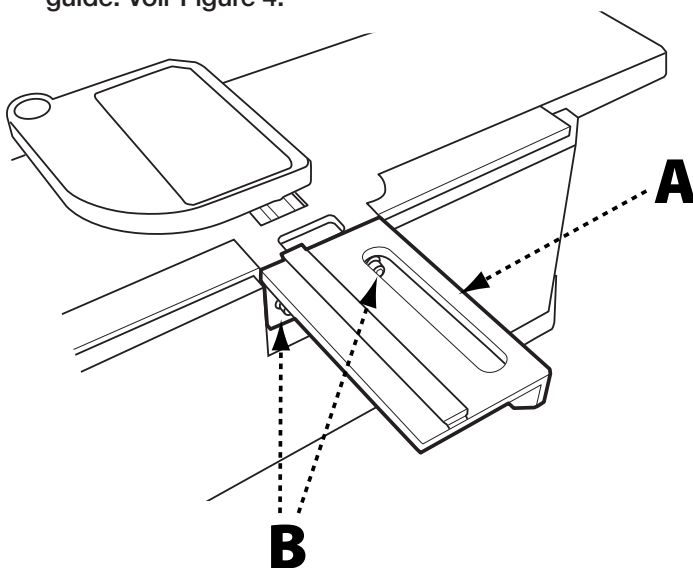


FIGURE 1

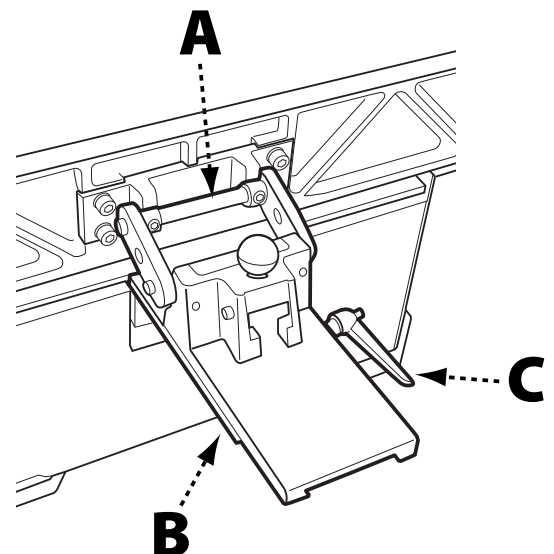


FIGURE 4

MONTAGE

ASSEMBLAGE DE LA BUTÉE ANGULAIRE DU GUIDE

1. Insérer l'extrémité fileté de la butée angulaire du guide (A) à travers les deux trous du guide et fixer en la vissant dans l'ensemble. Voir Figure 5.
2. Installer la butée angulaire de 45°/90° en tirant sur la goupille à ressort (B) et en faisant glisser la butée angulaire (C) dans le trou mortaise, comme

le montre la figure 6. Libérer la goupille pour verrouiller la butée angulaire en place. Verrouillée dans la position complètement en prise, la butée est à 90°. Verrouillée dans la position partiellement en prise, elle est à 45°.

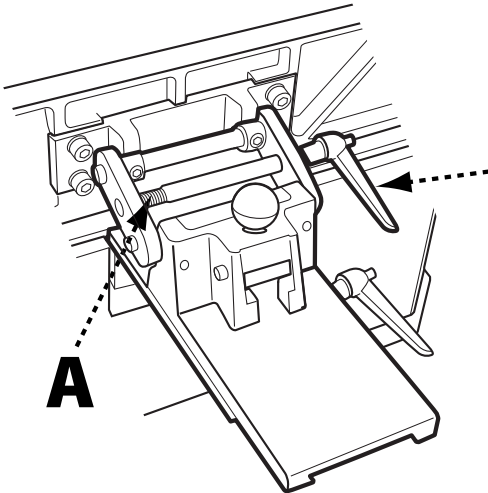


FIGURE 5

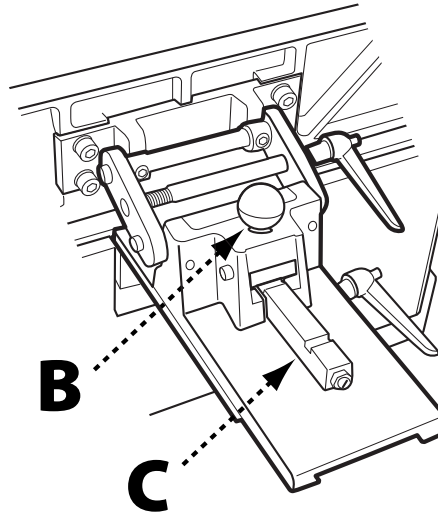


FIGURE 6

ALIGNER LE PORTE-OUTIL À LA TABLE DE SORTIE

⚠ AVERTISSEMENT : Débrancher la machine de la source d'alimentation avant tout réglage!

Afin d'insérer le matériel dans la dégauchisseuse en toute sécurité, la surface supérieure de la table de sortie doit être de niveau avec le point le plus haut des lames du porte-outil pendant sa rotation. Pour vérifier la position des lames du porte-outil par rapport à la table de sortie, consulter la figure 7 et procéder comme suit.

1. Débrancher la machine de la source d'alimentation!
2. Placer une règle droite sur la table de sortie (A) de façon à ce qu'une extrémité déborde du porte-outil. Pour de meilleurs résultats, la règle droite doit pouvoir se tenir sur le bord sans avoir à être maintenue en place.
3. Tourner soigneusement et lentement le porte-outil (B) vers la table d'entrée (C). Lorsque le tranchant de la lame passe en dessous de la règle droite, il devrait à peine effleurer le fond de la règle droite, l'amenant à se déplacer légèrement vers l'avant, pas plus que 3,2 mm (1/8 po).
4. Si la rotation du porte-outil soulève et déplace la règle droite de plus de 3,2 mm (1/8 po) ou si elle ne parvient pas à entrer en contact avec le fond de la règle droite, il faudra ajuster la position de la lame.

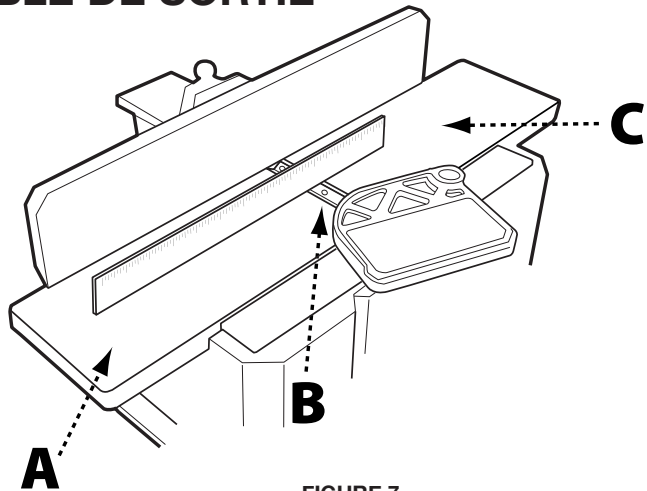


FIGURE 7

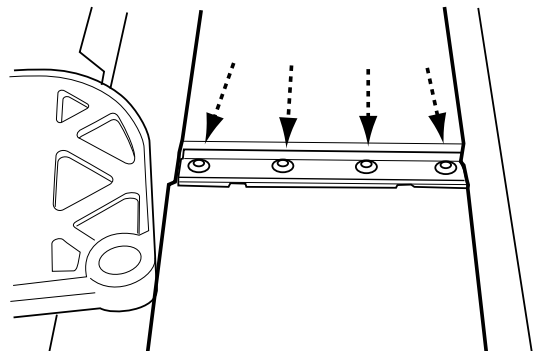


FIGURE 8

ALIGNER LE PORTE-OUTIL À LA TABLE DE SORTIE (suite)

- Utiliser un morceau de bois pour maintenir le dispositif de protection à ressort ouvert et exposer entièrement le porte-outil.
- Desserrer les quatre vis fixant la barre de serrage au porte-outil. Voir Figure 8.
- Localiser les deux vis de réglage sur la lame exposée. Voir Figure 9.
- Faire tourner les vis de réglage dans le sens horaire pour abaisser la lame ou dans le sens antihoraire pour la soulever. Chaque vis doit être réglée séparément.
- Revérifier la position de la lame sur l'une des extrémités à l'aide de la règle droite comme à l'étape 3. Continuer à ajuster la hauteur de la lame jusqu'à ce qu'elle effleure la face inférieure de la règle droite juste assez pour la déplacer de 3,2 mm (1/8 po).

REMARQUE : Vérifier les côtés gauche et droit de la lame du porte-outil afin de s'assurer qu'ils sont à la bonne hauteur.

- Remettre la barre de serrage et serrer les quatre vis de fixation de la barre de serrage sur le porte-outil. Serrer légèrement chacune des vis de serrage, en veillant à suivre la séquence représentée dans la Figure 10.

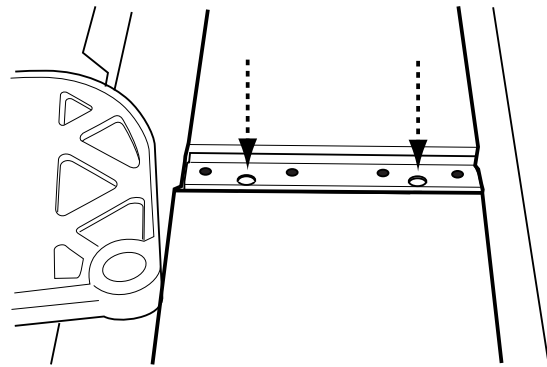


FIGURE 9

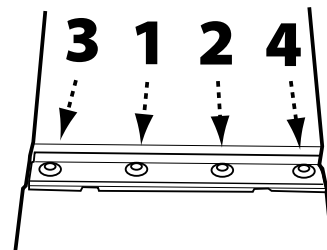


FIGURE 10

REMARQUE : Le non-respect de la bonne séquence de serrage des vis de serrage peut entraîner un changement de position de la lame, ce qui peut affecter les performances de l'outil.

BRANCHER LE COLLECTEUR DE POUSSIÈRE

Une dégauchisseuse génère une grande quantité de particules fines pendant son utilisation. Il est fortement recommandé de raccorder la dégauchisseuse à un collecteur de poussière. Votre dégauchisseuse d'établi DELTA® est équipée d'un port de poussière de 57,2 mm (2-1/4 po) (dia. ext.) situé sous la table de sortie. Il doit être relié à un tuyau de collecteur de poussière pour assurer un fonctionnement sécuritaire.

⚠ AVERTISSEMENT : Ne faites pas fonctionner cet appareil sans l'avoir préalablement relié à un système adéquat de collecte de la poussière.

⚠ AVERTISSEMENT : Allumez toujours le collecteur de poussière avant d'allumer la dégauchisseuse, et arrêtez toujours la dégauchisseuse avant d'éteindre le collecteur de poussière.

FONCTIONNEMENT

DÉMARRAGE ET ARRÊT DE LA DÉGAUCHISSEUSE

⚠ AVERTISSEMENT : Assurez-vous que l'interrupteur est en position « OFF » (Arrêt) avant de brancher le cordon dans la prise. Ne touchez pas aux broches métalliques de la fiche au moment de brancher ou de débrancher le cordon.

⚠ AVERTISSEMENT : En cas de panne de courant (comme un déclenchement de disjoncteur ou de fusible), mettez toujours l'interrupteur en position « OFF » (Arrêt) jusqu'à ce que le courant soit rétabli.

L'interrupteur ON/OFF (marche/arrêt) (A), indiqué dans la figure 11, est situé à l'avant de l'armoire de la dégauchisseuse. Pour démarrer la machine (« ON »), mettez l'interrupteur en position haute. Pour éteindre la machine (« OFF »), mettez l'interrupteur en position basse.

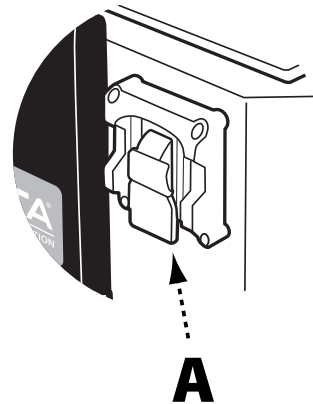


FIGURE 11

VERROUILLAGE DE LA DÉGAUCHISSEUSE À L'AIDE DE LA CLÉ DE SÉCURITÉ

1. Votre dégauchisseuse d'établi DELTA® de 152 mm (6 po) utilise une clé de sécurité qui vous permet de verrouiller l'outil dans la position « OFF » (arrêt) lorsqu'il n'est pas utilisé.

IMPORTANT : Quand vous n'utilisez pas la machine, l'interrupteur devrait être verrouillé en position « OFF » (arrêt) pour empêcher une utilisation non autorisée.

2. Pour verrouiller la machine, retirez la clé de sécurité en la tirant en ligne droite. Une fois la clé de sécurité retirée, l'interrupteur ne fonctionnera plus.
3. Si la clé de sécurité est retirée alors que la dégauchisseuse est en marche, la machine pourra être positionnée sur « OFF » (arrêt) mais ne pourra être redémarrée qu'en insérant à nouveau la clé de sécurité.

RÉGLAGE DE LA POSITION DU GUIDE

⚠ AVERTISSEMENT : Débranchez l'appareil de la source d'alimentation avant de faire des ajustements!

Voir Figure 12.

Avant d'effectuer toute opération avec la dégauchisseuse, assurez-vous que la position du guide est à peu près la même que la largeur du matériel étant jointoyé. Pour jointoyer les bords de matériel plus mince, il est recommandé de repositionner occasionnellement le guide afin de prévenir l'émoussement des lames à un endroit spécifique.

1. Pour ajuster la position du guide, desserrez la poignée de blocage à ressort (A) en la tournant à gauche.
2. Déplacez le guide à la bonne position.
3. Resserrez la poignée de blocage à ressort.

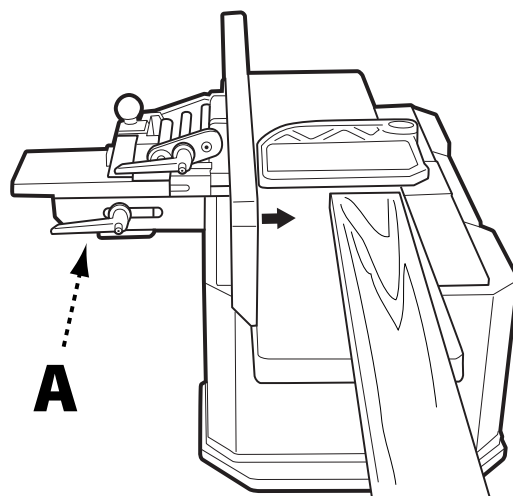


FIGURE 12

INTRODUCTION DU MATÉRIEL

1. Placez la surface à jointoyer face vers le bas sur la table d'entrée et contre le guide. Allumez la dégauchisseuse et attendez que le moteur atteigne sa vitesse maximale.
2. Appliquez une légère pression vers le bas et introduisez lentement le matériel à travers le capot de protection à ressort et sur le porte-outil.

IMPORTANT : Lorsque vous introduisez du matériel horizontalement, avec la largeur de la planche à plat contre la table, utilisez toujours des pelles de sécurité

ou un poussoir, comme le montre la Figure 13. Lorsque vous introduisez du matériel verticalement, avec la largeur de la planche contre le guide, gardez toujours vos doigts sur le dessus de la planche. Voir Figure 14.

3. Continuez à déplacer la planche jusqu'à ce qu'elle dépasse la fraise.
4. Éteignez la dégauchisseuse et attendez que le porte-outil s'arrête avant de retirer le matériel.

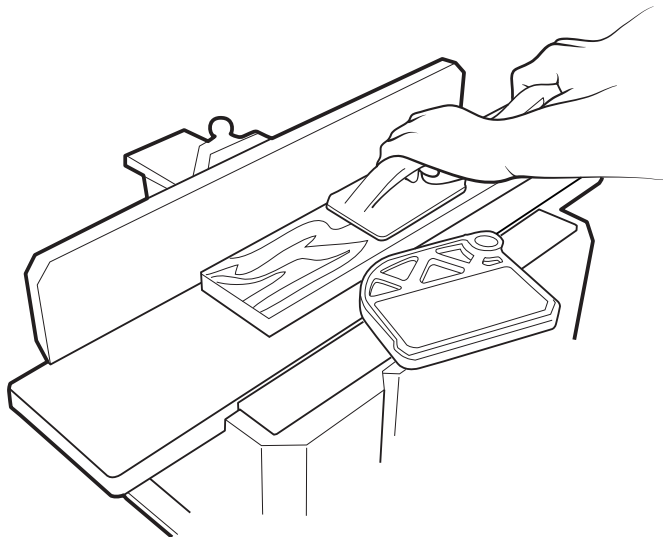


FIGURE 13

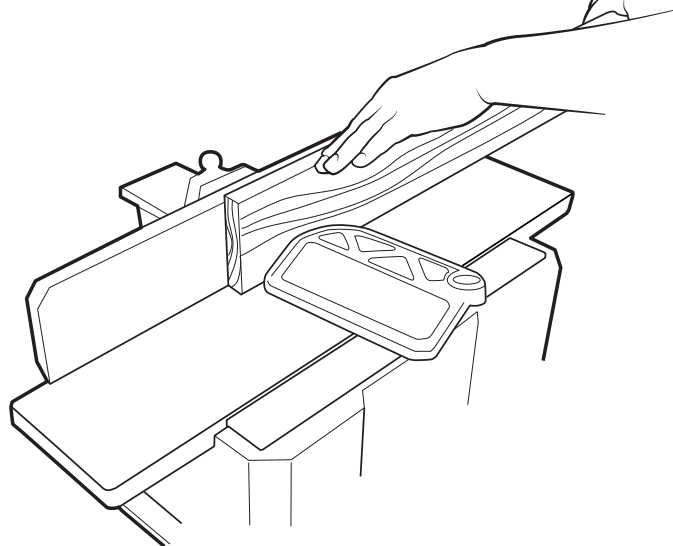


FIGURE 14

JOINTOYER DU MATÉRIEL BISEAUTÉ

⚠ AVERTISSEMENT : Débranchez l'appareil de la source d'alimentation avant de faire des ajustements!

Le guide peut s'adapter à un angle de 45° vers l'intérieur et vers l'extérieur, ce qui vous permet de jointoyer du matériel biseauté. Pour ajuster l'inclinaison du guide, procédez comme suit :

ANGLE DE 45° VERS L'EXTÉRIEUR :

Voir Figure 15.

1. Desserrez le verrou de biseutage en tournant la poignée (A) dans le sens antihoraire.
2. Tirez sur la goupille à ressort (B) et tirez sur la butée de 45°/90° (C) légèrement vers l'arrière.
3. Relâchez la goupille à ressort et continuez à tirer sur la butée de 45°/90° jusqu'à ce qu'elle se verrouille en position.
4. Resserrez le verrou de biseutage. Utilisez une équerre combinée ou une équerre de charpentier pour vérifier l'angle d'inclinaison. S'il doit être ajusté, se reporter à « Étalonnage des butées de 45°/90° » à la page 32.

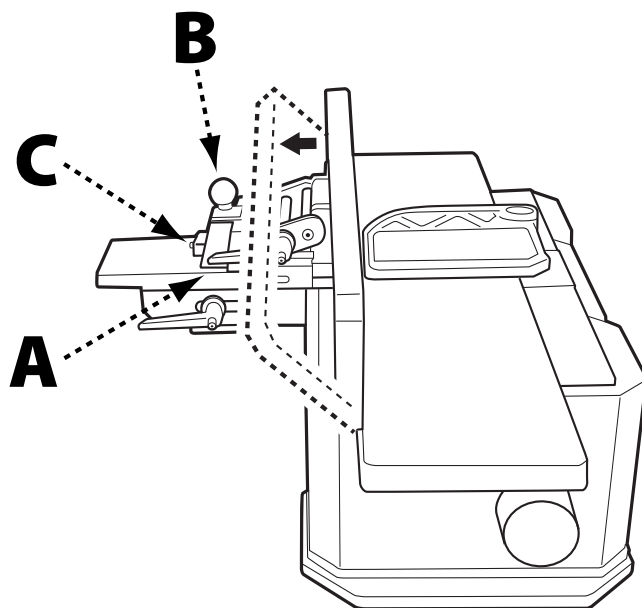


FIGURE 15

JOINTOYER DU MATÉRIEL BISEAUTÉ (suite)

ANGLE DE 45° VERS L'INTÉRIEUR :

Voir Figure 16.

1. Desserrez le verrou de biseautage en tournant la poignée (A) dans le sens antihoraire.
2. Orientez le guide vers la table jusqu'à la butée. Il s'arrête lorsque le guide entre en contact avec les boulons de la butée de 45° vers l'intérieur.
3. Resserrez le verrou de biseautage. Utilisez une équerre combinée ou une équerre de charpentier pour vérifier l'angle d'inclinaison. S'il doit être ajusté, se reporter à « Étalonnage des butées de 45°/90° » à la page 32.

⚠ ATTENTION : Lors du jointoyage avec le guide incliné vers l'intérieur à 45°, introduisez le matériel avec soin pour vous assurer que la pièce ne se coince pas entre le guide et la table, ce qui peut créer une situation dangereuse.

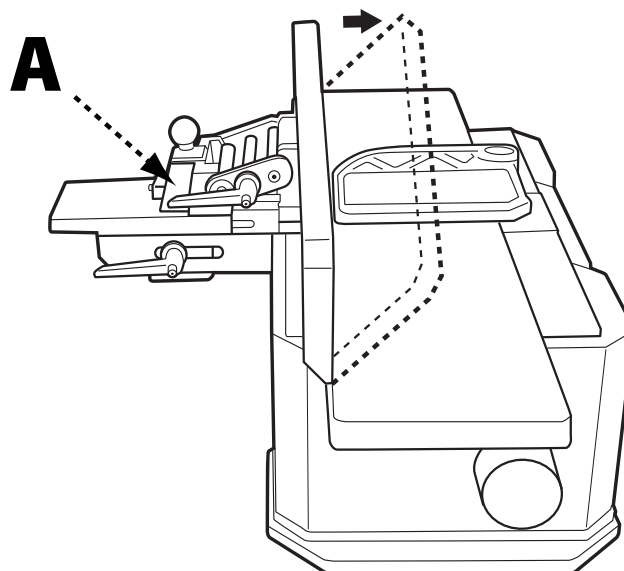


FIGURE 16

ÉTALONNAGE DES BUTÉES DE 45°/90°

⚠ AVERTISSEMENT : Débranchez l'appareil de la source d'alimentation avant de faire des ajustements!

Pour garantir des résultats précis et exacts, les butées de 45°/90° doivent positionner avec précision le guide par rapport à la surface de la table.

POUR ÉTALONNER LA BUTÉE DE 90° :

1. Desserrez le verrou de biseautage en tournant la poignée dans le sens antihoraire.
2. Assurez-vous que la butée de 45°/90° est entièrement engagée et verrouillée en position.
3. Utilisez une équerre de charpentier, avec un bord à plat contre la table et l'autre contre le guide. Vérifiez que le guide et la table forment un angle droit. Si aucun réglage n'est nécessaire, passez à l'étape n° 4.
4. Desserrez l'écrou de retenue situé sur la tige de butée de 90°.
5. Utilisez un tournevis à tête plate pour ajuster la position de la tige de butée. Voir Figure 17. Tournez la tige dans le sens horaire pour réduire l'angle du guide et dans le sens antihoraire pour l'augmenter.
6. Resserrez l'écrou de retenue et re-verrouillez le verrou de biseautage. Puis re-vérifiez l'angle à l'aide de l'équerre de charpentier. Continuez à ajuster au besoin.

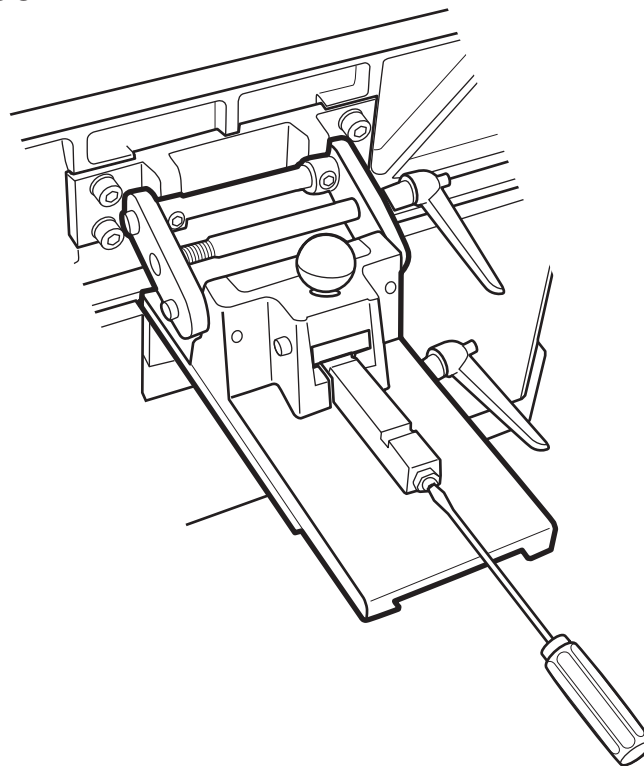


FIGURE 17

FONCTIONNEMENT

POUR ÉTALONNER LES BUTÉES DE 45° ENTRANTES ET SORTANTES :

1. Desserrez le verrou de biseautage en tournant la poignée dans le sens antihoraire.
2. Reportez-vous à la Figure 18 et repérez les deux jeux de boulons de butée de 45° (A). Il y a deux boulons qui fixent la position de la butée de 45° vers l'intérieur et deux qui fixent la position de la butée de 45° vers l'extérieur.
3. Desserrez les deux écrous de fixation sur le jeu de boulons de butée approprié, puis ajustez les boulons de butée, soit vers l'intérieur, soit vers l'extérieur.

REMARQUE : Les têtes des deux boulons de butée doivent être contre l'ensemble de montage.

4. Resserrez l'écrou de retenue et re-verrouillez le verrou de biseautage. Puis re-vérifiez l'angle à l'aide de l'équerre de charpentier. Continuez à ajuster au besoin.

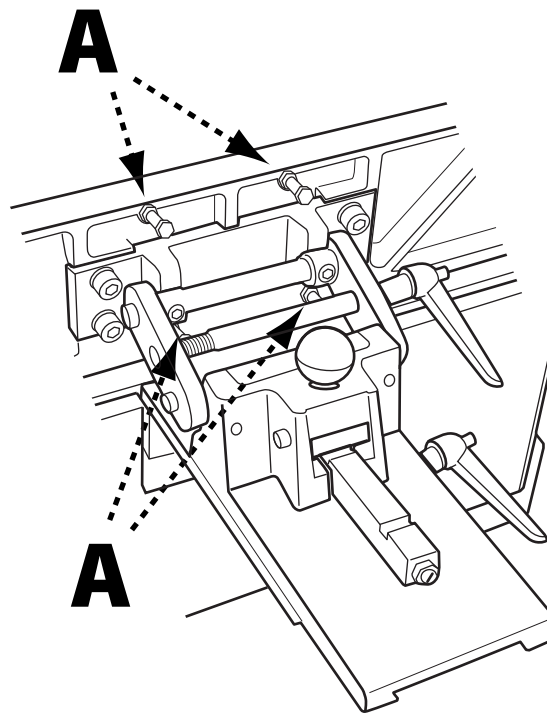


FIGURE 18

RÉGLAGE DE LA PROFONDEUR

⚠ AVERTISSEMENT : Débranchez l'appareil de la source d'alimentation avant de faire des ajustements!

La dégauchisseuse d'établi DELTA® 37-071 est conçue pour ne pas éliminer plus de 3,2 mm (1/8 po) de matériel en un seul passage. Pour les opérations nécessitant d'éliminer plus de matériel, faire plusieurs passages pour atteindre les dimensions souhaitées.

1. Pour régler la profondeur de coupe, faire tourner la roue de réglage de la hauteur de la table d'entrée. Faire tourner la roue dans le sens horaire pour soulever la table (ce qui réduit la profondeur de coupe) et dans le sens antihoraire pour abaisser la table (ce qui augmente la profondeur de coupe).

REPLACEMENT DES LAMES DU PORTE-OUTIL

⚠ AVERTISSEMENT : Débranchez l'appareil de la source d'alimentation avant de faire des ajustements!

⚠ AVERTISSEMENT : Les lames de la dégauchisseuse sont extrêmement tranchantes. Soyez très prudent lorsque vous inspectez, retirez, aigüisez ou remplacez les lames dans le porte-outil. Le non-respect de ces instructions peut provoquer une blessure grave.

La dégauchisseuse d'établi DELTA® 37-071 de 152 mm (6 po) utilise deux lames individuelles. Si vous constatez une diminution significative de la performance de votre dégauchisseuse, il est peut-être nécessaire de remplacer les lames. Pour ce faire, procédez comme suit :

1. Placez un morceau de bois entre le capot de protection à ressort et le guide pour exposer entièrement le porte-outil.
2. Tournez soigneusement et lentement le porte-outil à la main jusqu'à ce que la barre de serrage et les quatre vis de serrage (A) soient accessibles. Voir Figure 19.
3. Dévissez les vis de serrage et retirez la barre de serrage.

⚠ ATTENTION : Les lames du porte-outil sont tranchantes. Soyez prudent lorsque vous manipulez les lames du porte-outil. Utiliser des gants afin de réduire le risque de blessure.

4. Soulevez délicatement la lame du porte-outil, en prenant soin de noter son orientation par rapport au porte-outil.
5. Répétez les étapes 2 à 4 pour la deuxième lame du porte-outil.
6. Nettoyez le porte-outil avant d'installer de nouvelles lames ou de réinstaller les lames aigüisées.
7. Installez la lame neuve ou réaigüisée et la barre de serrage dans le porte-outil. Serrez légèrement chacune des vis de serrage, en veillant à suivre la séquence représentée dans la Figure 20.

REMARQUE : Le non-respect de la bonne séquence de serrage des vis de serrage peut entraîner un changement de position de la lame, ce qui peut affecter les performances de l'outil.

8. Répétez l'étape 7 pour la deuxième lame du porte-outil.

9. Vérifiez l'alignement sur les lames de la surface de la table de sortie tel que décrit dans la section Aligner le porte-outil sur la table de sortie, à la page 28. Si nécessaire, faites tourner les deux vis de calage sur les deux extrémités de la lame du porte-outil pour vous assurer que la lame soit parallèle à la table de sortie.
10. Effectuez le serrage final sur chacune des quatre vis de fixation en suivant la séquence décrite à la Figure 19.
11. Retirez le bloc de bois et remettez le dispositif de protection du porte-outil à la position de fonctionnement initiale. Réalignez le guide selon les besoins et testez la dégauchisseuse sur un morceau de matériel de rebut.

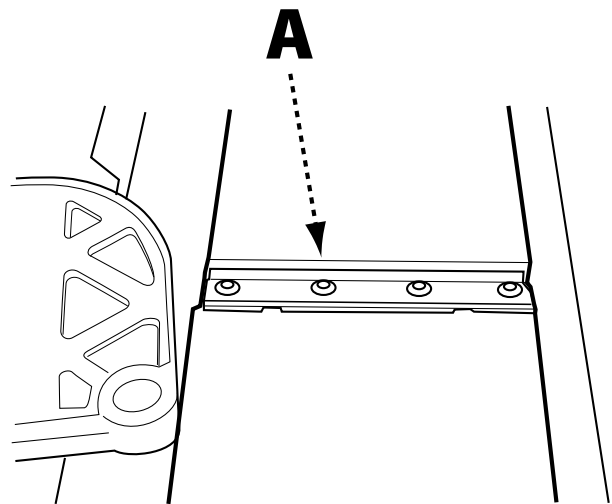


FIGURE 19

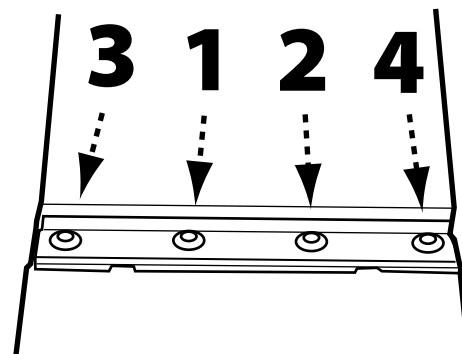


FIGURE 20

AUTRE ENTRETIEN RECOMMANDÉ

1. Souffler périodiquement de l'air comprimé sec sur tous les conduits d'air. Toutes les pièces en plastique doivent être nettoyées avec un chiffon doux humide. N'utilisez JAMAIS de solvant pour nettoyer les pièces en plastique. Il pourrait dissoudre ou endommager le matériel à la longue.
2. Vérifiez périodiquement le serrage de la quincaillerie et guettez les vibrations inhabituelles lorsque vous travaillez car elles peuvent indiquer qu'un matériel est desserré.

ACCESSOIRES

Une gamme complète d'accessoires peut être obtenue auprès de votre fournisseur DELTA^{MD}, des centres de service du fabricant DELTA^{MD}, et des centres de services agréés DELTA^{MD}. Rendez-vous sur notre site Web www.DeltaMachinery.com pour obtenir un catalogue en ligne ou pour connaître le nom du fournisseur le plus près de chez vous.

⚠ AVERTISSEMENT : Étant donné que les accessoires autres que ceux offerts par DELTA^{MD} n'ont pas été testés avec ce produit, leur utilisation pourrait s'avérer dangereuse. Pour assurer une utilisation plus sécuritaire, seuls les accessoires recommandés par DELTA^{MD} devraient être utilisés avec ce produit.

GARANTIE

Pour l'enregistrement de votre outil auprès du service de la garantie, rendez-vous sur notre site à l'adresse www.DeltaMachinery.com.

Garantie limitée de cinq ans pour les produits neufs

DELTA^{MD} réparera ou remplacera, à ses frais et à sa discrétion, tout nouvel appareil, pièce ou accessoire de l'appareil de DELTA^{MD} qui, pour une usure normale, est jugé défectueux en raison d'un défaut de fabrication ou de matériau, à condition que le client retourne le produit prépayé à un centre de service du fabricant ou à un centre de service autorisé DELTA^{MD} avec une preuve d'achat du produit dans les cinq ans après l'achat et offre à DELTA^{MD} une occasion raisonnable de vérifier le défaut allégué au moyen d'une inspection. Pour tous les produits DELTA^{MD} reconditionnés, la durée de garantie est de 180 jours. DELTA^{MD} ne peut être tenu responsable de tout défaut confirmé issu de l'usure normale, d'une mauvaise utilisation, d'abus ou de réparations ou d'altérations faites ou expressément autorisées par quiconque autre qu'un centre de service ou un représentant de DELTA^{MD} autorisé. En aucun cas, DELTA^{MD} ne pourra être tenu pour responsable des dommages directs ou indirects résultant de produits défectueux. Certains États ne permettant pas l'exclusion ou la limitation des dommages directs ou indirects, la limitation ou exclusion peut ne pas s'appliquer à votre cas. Cette garantie est la seule garantie de DELTA^{MD}, et elle devient le recours exclusif du client en ce qui concerne les produits défectueux; toute autre garantie, expresse ou implicite, que ce soit de la valeur marchande, de la capacité de remplir une fonction ou autre, est expressément exclue par DELTA^{MD}. Pour plus de renseignements sur la couverture de la garantie et des informations sur les réparations sous garantie, rendez-vous sur notre site à l'adresse www.DeltaMachinery.com ou appelez le 1 800 223-7278. Cette garantie vous donne des droits légaux spécifiques et vous pouvez avoir d'autres droits qui sont différents selon les États ou provinces.

AMÉRIQUE LATINE : La présente garantie ne s'applique pas aux produits vendus en Amérique latine. Pour les produits vendus en Amérique latine, veuillez consulter les renseignements au sujet de la garantie pour un pays particulier figurant sur l'emballage, appeler la compagnie locale ou consulter notre site Web pour plus de renseignements au sujet de la garantie.

AIDE POUR LES PIÈCES, LE SERVICE OU LA GARANTIE

Tous les appareils et accessoires DELTA^{MD} sont fabriqués selon des normes de qualité élevées et sont soutenus par un réseau de centres de service du fabricant DELTA^{MD} et des centres de services DELTA^{MD} autorisés. Pour en savoir davantage sur votre produit de qualité DELTA^{MD} ou pour obtenir des pièces, du service, de l'aide concernant la garantie ou l'emplacement du centre de service le plus près de chez vous, veuillez composer le 1 800 223-7278.

PIÈCES DE RECHANGE

Utilisez uniquement des pièces de rechange identiques. Pour obtenir une liste de pièces ou commander des pièces, rendez-vous sur notre site à l'adresse www.DeltaMachinery.com/service. Vous pouvez aussi commander des pièces auprès de votre représentant local, du centre de service de garantie autorisé ou en appelant le responsable du service technique au 1 800 223-7278 pour recevoir une assistance personnalisée de la part d'un de nos représentants hautement qualifié.

REMPACEMENT GRATUIT DES ÉTIQUETTES DE MISE EN GARDE

Si vos étiquettes de mise en garde sont devenues illisibles ou si vous les avez perdues, composez le 1 800 223-7278 pour un remplacement gratuit.

| ⚠ WARNING | ⚠ ADVERTENCIA |
|---|--|
| <ol style="list-style-type: none"> 1. For your own safety read and understand instruction manual before operating jointer. 2. Always wear ANSI Z87.1 approved safety glasses. 3. Always keep cutterhead and knife guards in place and in proper working condition. Do not remove guard for rabbeting operations. 4. Never make jointing, planing or rabbeting cuts deeper than 1/8 in. (3mm). 5. Always use hold down/push blocks for jointing material narrower than 3 in. (76mm), or planing material thinner than 3 in. (76mm). 6. Never perform jointing, planing, or rabbeting cuts on pieces shorter than 8 1/8 in. (206mm) in length. 7. Do not expose to rain or damp locations. 8. To avoid kickbacks, use this machine for single board surfacing only. | <ol style="list-style-type: none"> 1. Pour votre propre sécurité, veuillez lire et comprendre le manuel d'instructions avant d'utiliser la dégauchisseuse. 2. Portez toujours des lunettes de sécurité homologuées ANSI Z87.1. 3. Laissez toujours les protections du porte-fers et des fers en place et en bon état de fonctionnement. Ne pas enlever le protecteur pour les opérations de refeuillement. 4. N'effectuez jamais de jointage, de rabotage ou de refeuillement à plus de 1/8 po (3mm) de profondeur. 5. Utilisez toujours des blocs-poussoirs ou de maintien pour le jointage de matériaux plus étroits que 3 po (76mm), ou lerabotage de matériaux plus minces que 3 po (76mm). 6. N'effectuez jamais de jointage, de rabotage ou de refeuillement sur des pièces d'une longueur inférieure à 8-1/8 po (206mm). 7. N'exposez pas l'outil à la pluie ou aux endroits humides. 8. Pour éviter les rebonds, utilisez le même outli pour le dégauchissage de panneaux simples seulement. |

DPEC002256

| ⚠ WARNING | ⚠ AVERTISSEMENT |
|---|---|
| <ol style="list-style-type: none"> 1. Install the dust collection accessories before operation. 2. Install the dust collection bag safely. 3. Don't touch the dust port. | <ol style="list-style-type: none"> 1. Fixez les accessoires de collecte de poussière avant l'utilisation. 2. Fixez le sac de collecte de poussière de manière sécuritaire. 3. Ne touchez pas l'orifice d'évacuation de la poussière. |

DPEC002257

SERVICE ET RÉPARATIONS

Tous les outils de qualité auront besoin de service et/ou d'un remplacement de pièces à un moment donné. Pour des renseignements au sujet de DELTA^{MD} Power Equipment Corporation, ses filiales détenues par l'usine ou pour trouver un centre de service de garantie autorisé, rendez-vous sur notre site à l'adresse www.DeltaMachinery.com/service ou appelez notre service à la clientèle au 1 800 223-7278. Toutes les réparations réalisées par nos centres de service sont entièrement garanties contre les défauts de matériau et de fabrication. Nous ne pouvons garantir les réparations réalisées ou tentées par d'autres.

En appelant ce numéro, vous pouvez également obtenir des réponses 24 heures sur 24 aux questions les plus fréquemment posées. Pour obtenir plus de renseignements, vous pouvez aussi nous écrire à l'adresse DELTA^{MD} Power Equipment Corporation, 99 Roush St., Anderson, SC 29625 - Attention : Responsable du service technique. Assurez-vous de fournir tous les renseignements présents sur la plaque de votre outil (numéro de modèle, type, numéro de série, code de date, etc.)

INSTRUCCIONES IMPORTANTES DE SEGURIDAD

⚠ ADVERTENCIA: **LEA Y COMPRENDA TODAS LAS ADVERTENCIAS E INSTRUCCIONES DE OPERACIÓN ANTES DE USAR ESTE EQUIPO.** No cumplir con todas las instrucciones enumeradas a continuación puede causar una descarga eléctrica, incendios y/o lesiones personales graves o daños a la propiedad.

Trabajar con madera puede ser peligroso si no se observan procedimientos de operación seguros y adecuados. Tal como sucede con toda maquinaria, existen determinados peligros asociados con la operación del producto. Utilizar esta máquina con respeto y cautela disminuirá considerablemente la posibilidad de lesiones personales. Sin embargo, no observar o ignorar las precauciones normales de seguridad podría causarle lesiones personales al operador. El equipo de seguridad, como los protectores, las varillas para empujar, los sujetadores, las tablas con canto biselado, las gafas protectoras, las máscaras para polvo y la protección auditiva pueden evitar el riesgo de lesionarse. Sin embargo, incluso el mejor protector no compensará la falta de sentido común, el descuido ni la distracción. ***Siempre aplique el sentido común*** y actúe con cautela en el taller. Si un procedimiento parece peligroso, no lo intente. Busque un procedimiento alternativo que parezca más seguro. **RECUERDE:** Su seguridad personal es su responsabilidad. Para obtener información adicional, visite nuestro sitio web en www.DeltaMachinery.com.



⚠ ADVERTENCIA: Esta máquina fue diseñada para determinadas aplicaciones únicamente. DELTA® Power Equipment Corporation recomienda encarecidamente que esta máquina no sea modificada ni utilizada para un uso que no sea aquel para el cual fue diseñada. Si tiene cualquier pregunta relacionada con una aplicación específica, NO use la máquina hasta que haya contactado primero a DELTA® para determinar si puede o debe realizarse en el producto.

Si tiene alguna pregunta relacionada con su uso, NO utilice el producto hasta que haya escrito a DELTA® Power Equipment Corporation y le hayamos dado el asesoramiento adecuado. Contáctenos en línea en www.DeltaMachinery.com o por correo a Technical Service Manager, DELTA® Power Equipment Corporation, 99 Roush St., Anderson, SC 29625.

La información relacionada con la operación segura y adecuada de esta herramienta está disponible en las siguientes fuentes:

- Power Tool Institute, 1300 Sumner Avenue, Cleveland, OH 44115-2851 o en Internet en www.powertoolinstitute.com
- National Safety Council, 1121 Spring Lake Drive, Itasca, IL 60143-3201
- American National Standards Institute, 25 West 43rd Street, 4 floor, New York, NY 10036 www.ansi.org - ANSI 01.1 Requisitos de seguridad para máquinas que trabajan de carpintería
- Reglamentaciones del Departamento del Trabajo de EE. UU.: www.osha.gov

NORMAS DE SEGURIDAD: DEFINICIONES

Este manual contiene información que es importante que usted conozca y comprenda. Esta información está relacionada con la protección de SU SEGURIDAD y la PREVENCIÓN DE PROBLEMAS CON EL EQUIPO. Para ayudarle a reconocer esta información, utilizamos los símbolos que figuran a continuación. Lea este manual y preste atención a estas secciones.

⚠ PELIGRO: Indica una situación peligrosa inminente que, de no evitarse, causará la muerte o lesiones graves.

⚠ ADVERTENCIA: Indica una situación potencialmente peligrosa que, de no evitarse, podría causar la muerte o lesiones graves.

⚠ PRECAUCIÓN: Indica una situación potencialmente peligrosa que, de no evitarse, puede causar lesiones menores o moderadas.

PRECAUCIÓN: Usado sin el símbolo de alerta de seguridad indica una situación potencialmente peligrosa que, de no evitarse, puede causar daños a la propiedad.

REGLAS GENERALES DE SEGURIDAD

⚠ ADVERTENCIA: NO SEGUIR ESTAS REGLAS DE SEGURIDAD PUEDE OCASIONAR LESIONES PERSONALES GRAVES.

- **POR SU PROPIA SEGURIDAD, LEA Y COMPRENDA EL MANUAL DE INSTRUCCIONES ANTES DE OPERAR LA UNIDAD.** Conozca los usos y las limitaciones de la unidad, así como los peligros específicos propios de la misma.
- **MANTENGA LIMPIA EL ÁREA DE TRABAJO.** Las áreas y los bancos desordenados pueden provocar accidentes.
- **NO USE EN ENTORNOS PELIGROSOS.** No use esta unidad en lugares húmedos o mojados, ni la esponga a la lluvia. Mantenga el área de trabajo bien iluminada.
- **MANTENGA ALEJADOS A LOS NIÑOS Y VISITANTES.** Todos los niños y visitantes deben mantenerse a una distancia prudente del área de trabajo.
- **DESCONECTE LA UNIDAD** antes de efectuarle tareas de mantenimiento.
- **CONTROLE LAS PIEZAS DAÑADAS.** Antes de seguir usando la unidad, repare o reemplace de forma adecuada cualquier pieza que esté dañada.

⚠ ADVERTENCIA: NO OBSERVAR ESTAS REGLAS DE SEGURIDAD PUEDE OCASIONAR LESIONES GRAVES.

1. Lea y comprenda los carteles de advertencia de la máquina y de este manual. No cumplir con todas estas advertencias puede causar lesiones graves.
 2. Reemplace las etiquetas de advertencia si se tornan borrosas o se desprenden.
 3. Esta máquina está diseñada para ser utilizada únicamente por personal debidamente capacitado y experimentado. Si usted no está familiarizado con la operación correcta y segura de un cepillo, no lo utilice hasta haber obtenido la capacitación y el conocimiento correctos.
 4. No utilice esta máquina para otra cosa que no sea su uso previsto. Si se utiliza para otros propósitos, DELTA® Power Equipment Corporation se exime de cualquier garantía real o implícita y se mantiene indemne ante cualquier lesión que pueda ser consecuencia de dicha utilización.
 5. Siempre use lentes de seguridad/careta al utilizar esta herramienta.
 6. Antes de operar esta herramienta, quítese la corbata, los anillos, relojes y otras alhajas, y remánguese las mangas más arriba de los codos. No use ropa suelta; el cabello largo debe estar cubierto. Se recomienda utilizar calzado antideslizante o tiras antiderrapantes en el piso. No use guantes.
 7. Use protectores auditivos (tapones u orejeras) durante períodos de operación extensos.
 8. Parte del polvo creado por el lijado, el aserrado, el amolado, el barrenado y otras actividades de construcción contiene productos químicos que se sabe que causan cáncer, defectos congénitos y otros daños reproductivos. Algunos ejemplos de estos productos químicos son:
 - plomo de pinturas a base de plomo;
 - sílice cristalina de ladrillos, cemento y otros productos de albañilería;
 - arsénico y cromo de madera tratada químicamente.
- Su riesgo de exposición varía dependiendo de la frecuencia con la que realice este tipo de trabajo.** Para reducir su exposición a estos productos químicos, trabaje en un área bien ventilada y trabaje con equipos de seguridad aprobados, como máscaras faciales y para polvo que estén específicamente diseñadas para no dejar pasar las partículas microscópicas.
9. No opere esta máquina cuando esté cansado o bajo los efectos de drogas, alcohol o cualquier medicamento.
 10. Asegúrese de que el interruptor esté en la posición OFF (APAGADO) antes de conectar la máquina a una fuente de alimentación.
 11. Asegúrese de que la máquina esté conectada a tierra de forma adecuada.
 12. Desenchufe la máquina de la fuente de alimentación para realizar todos los ajustes y el mantenimiento de la misma.
 13. Cree el hábito de verificar que todos los equipos adicionales, como llaves de ajuste, llaves, descartes, material y paños de limpieza, se alejen de la máquina antes de encenderla.
 14. Mantenga los protectores de seguridad en su lugar en todo momento cuando la máquina esté en uso. Si se quitan por razones de mantenimiento, aplique extrema precaución y vuelva a colocar los protectores inmediatamente cuando se complete el mantenimiento.
 15. Asegúrese de que la herramienta esté firmemente sujeta a una superficie de trabajo estable antes de utilizarla.
 16. Examine las piezas dañadas. Antes de seguir utilizando la máquina, debe examinarse cuidadosamente si el protector u otra pieza están dañados, para determinar que funcionarán adecuadamente y desempeñarán su función prevista. Examine la alineación de las piezas móviles, la unión de las piezas móviles, si hay piezas rotas, el montaje y cualquier otra condición que pueda afectar su funcionamiento. Los protectores o las otras piezas que estén dañados deben repararse o reemplazarse adecuadamente.

continúa en la página 40

17. Provea un espacio adecuado alrededor del área de trabajo e iluminación superior antirreflejo.
18. Mantenga el piso alrededor de la máquina limpio y libre de descartes de material, aceite y grasa.
19. Mantenga a los visitantes a una distancia prudente del área de trabajo. Mantenga alejados a los niños.
20. Haga su taller a prueba de niños, mediante candados, interruptores generales o sacando las llaves de encendido.
21. Preste absoluta atención a su trabajo. Mirar alrededor, mantener una conversación y los juegos físicos bruscos son acciones negligentes que pueden ocasionar lesiones graves.
22. Mantenga una postura balanceada en todo momento para que no caerse ni apoyarse sobre la herramienta o sus piezas móviles. No se extralimite ni aplique fuerza excesiva para realizar cualquiera de las operaciones de la máquina.
23. Utilice la herramienta correcta, a la velocidad y tasa de alimentación adecuadas. No fuerce una herramienta o acoplamiento para que realicen un trabajo para el cual no fueron diseñados. La herramienta adecuada realizará mejor el trabajo y de manera más segura.
24. Utilice los accesorios recomendados; los accesorios incorrectos podrían ser peligrosos.

25. Realice el mantenimiento de la maquinaria con cuidado. Siga las instrucciones para lubricar y cambiar los accesorios.
26. Apague la máquina antes de limpiarla. Utilice un cepillo o aire comprimido para quitar el polvo o la suciedad; no utilice las manos.
27. No se pare sobre la máquina. Si la máquina se vuelca, podrían ocurrir lesiones graves.
28. Nunca deje la máquina funcionando sin supervisión. Apáguela y no deje la máquina hasta que se haya detenido completamente.
29. Sujete el material con firmeza en todo momento.
30. No utilice esta herramienta para otra cosa que no sea su uso previsto. Si se utiliza para otros propósitos, DELTA® Power Equipment Corporation se exime de cualquier garantía real o implícita y se mantiene indemne ante cualquier lesión o daño que pueda ser consecuencia de dicho uso.

Familiarícese con los siguientes avisos de seguridad utilizados en este manual:

⚠ PRECAUCIÓN:

Esto significa que si no se siguen las precauciones, pueden presentarse lesiones menores y/o posibles daños a la máquina.

⚠ ADVERTENCIA:

Esto significa que si no se siguen las precauciones, pueden presentarse lesiones graves o posiblemente incluso la muerte.

REGLAS ESPECÍFICAS DE SEGURIDAD ADICIONALES

⚠ ADVERTENCIA: No seguir estas reglas puede provocar graves lesiones personales.

1. **NO OPERE ESTA MÁQUINA** hasta que esté completamente ensamblada e instalada de acuerdo con las instrucciones. Una máquina ensamblada de manera incorrecta puede causar lesiones graves.
2. **BUSQUE CONSEJO** de su supervisor, instructor u otra persona calificada si no está completamente familiarizado con la operación de esta máquina. El conocimiento es seguridad.
3. **SIGA TODOS LOS CÓDIGOS DE CABLEADO** y las conexiones eléctricas recomendadas para evitar una descarga eléctrica o electrocución.
4. **MANTENGA LAS CUCHILLAS AFILADAS** y libres de óxido y alquitrán. Las cuchillas romas u oxidadas hacen un mayor esfuerzo y pueden ocasionar contragolpe.
5. **APRIETE LAS MESAS DE ENTRADA/SALIDA** antes de arrancar la máquina. La pérdida de control de la pieza de trabajo puede causar lesiones graves.
6. **SUJETE CORRECTAMENTE LAS CUCHILLAS EN LA CABEZA DE CORTE** antes de encender la máquina. Las cuchillas sueltas pueden ser lanzadas a alta velocidad.
7. **NUNCA ENCIENDA LA MÁQUINA** antes de despejar todos los objetos de la mesa (herramientas, pedazos de madera, etc.). Los desechos voladores pueden ocasionar lesiones graves.
8. **NUNCA ENCIENDA LA MÁQUINA** con la pieza de trabajo contra la cabeza de corte. Puede producirse un contragolpe.
9. **EVITE REALIZAR OPERACIONES O POSICIONES MANUALES INCÓMODAS.** Un deslizamiento repentino puede provocar que la mano se mueva hacia la cabeza de corte.
10. **MANTENGA LOS BRAZOS, LAS MANOS Y LOS DEDOS** lejos de la cabeza de corte para evitar lesiones graves.
11. **NUNCA REALICE CORTES** de profundidad mayor de 3.2 mm (1/8 pulg.) para evitar el contragolpe.
12. **NUNCA CANTEE NI CEPILLE UNA PIEZA DE TRABAJO** más corta de 254 mm (10 pulg.), más angosta de 19.0 mm (3/4 pulg.) o de menos de 12.7 mm (1/2 pulg.) de espesor. Cantear piezas de trabajo más pequeñas puede hacer que su mano

REGLAS ESPECÍFICAS DE SEGURIDAD ADICIONALES

- se coloque en la cabeza de corte provocando lesiones graves.
13. **USE LOS BLOQUES DE RETENCIÓN/EMPUJE** para cantear o cepillar cualquier pieza de trabajo más abajo del tope guía. Cantear o cepillar piezas de trabajo pequeñas puede causar un contragolpe y lesiones graves.
 14. **SUJETE FIRMEMENTE LA PIEZA DE TRABAJO** contra la mesa y el tope guía. La pérdida de control de la pieza de trabajo puede causar contragolpes y resultar en lesiones graves.
 15. **NUNCA REALICE OPERACIONES "A MANO"**. Use el tope guía para posicionar y guiar la pieza de trabajo. La pérdida de control de la pieza de trabajo puede causar lesiones graves.
 16. **NO** intente realizar una operación anormal o de poco uso sin estudiarla y sin el uso de bloques de retención/empuje, aparatos, accesorios, topes adecuados, etc.
 17. **NO ALIMENTE UNA PIEZA DE TRABAJO** al extremo del avance de salida de la máquina. La pieza de trabajo será aventada al extremo opuesto a altas velocidades.
 18. **NO ALIMENTE UNA PIEZA DE TRABAJO** que esté deforme, contenga nudos o tenga incrustaciones de objetos extraños (clavos, grapas, etc.) para evitar el contragolpe.
 19. **MANTENGA LA RELACIÓN ADECUADA DE SUPERFICIES DE LA MESA DE AVANCE DE ENTRADA Y DE AVANCE DE SALIDA** y el recorrido de la cuchilla de la cabeza de corte. La pérdida de control de la pieza de trabajo puede causar lesiones graves.
 20. **PROPORCIONE UN APOYO ADECUADO PARA LAS PIEZAS DE TRABAJO LARGAS O ANCHAS**. La pérdida de control de la pieza de trabajo puede causar lesiones.
 21. **NUNCA REALICE TRABAJOS DE DISEÑO, ENSAMBLE O PREPARACIÓN** sobre la mesa o área de trabajo cuando la máquina esté en funcionamiento. Un deslizamiento repentino puede provocar que la mano se mueva hacia la cabeza de corte. Esto puede ocasionar una lesión grave.
 22. **APAGUE LA MÁQUINA**, desconéctela de la fuente de poder y limpie la mesa o el área de trabajo antes de abandonar la máquina. **BLOQUEE EL INTERRUPTOR EN LA POSICIÓN "OFF"** (apagado) para evitar el uso no autorizado. Otra persona puede arrancar la máquina por accidente y provocarse lesiones.
 23. **INFORMACIÓN ADICIONAL** sobre la operación segura y adecuada de las herramientas eléctricas (es decir, un video de seguridad) está disponible en el Instituto de Herramientas Eléctricas, 1300 Sumner Avenue, Cleveland, OH 44115-2851 (www.powertoolinstitute.com). También hay información disponible del Consejo Nacional de Seguridad, 1121 Spring Lake Drive, Itasca, IL 60143-3201. Consulte el Instituto Nacional Americano de Normas ANSI 01.1 Requisitos de seguridad para máquinas de carpintería y los reglamentos 1910.213 de OSHA del Departamento de Trabajo de Estados Unidos.

GUARDE ESTAS INSTRUCCIONES.

Consúltelas con frecuencia y úselas para dar instrucción a otros.

CONEXIONES DE ALIMENTACIÓN

Se debe utilizar un circuito eléctrico por separado para sus máquinas. Este circuito no debe ser inferior a un cable calibre 12 y debe estar protegido con un fusible con retardo de tiempo de 20 amperes. Si se utiliza un alargador eléctrico, use únicamente alargadores eléctricos trifilares con enchufes del tipo que tienen 3 clavijas con conexión a tierra y un tomacorriente equivalente que acepte el enchufe de la máquina. Antes de conectar la máquina a la línea de alimentación, cerciórese de que el interruptor esté en la posición "OFF" (APAGADO) y verifique que la corriente eléctrica sea de las mismas características que se indican en la máquina. Todas las conexiones a la línea deben hacer buen contacto. Hacerla funcionar en baja tensión dañará la máquina.

⚠ PELIGRO: NO EXPONGA LA MÁQUINA A LA LLUVIA NI LA OPERE EN LUGARES HÚMEDOS.

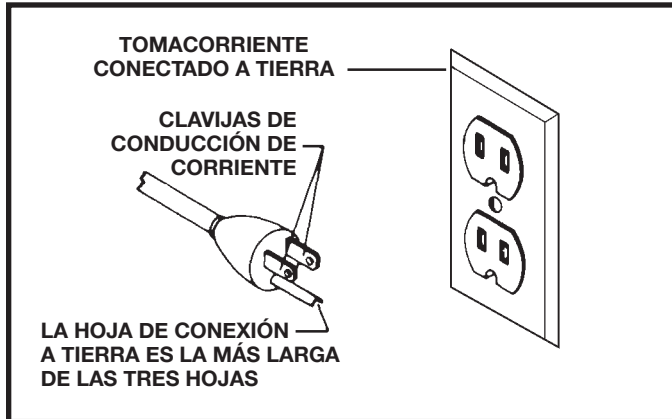


FIG. A

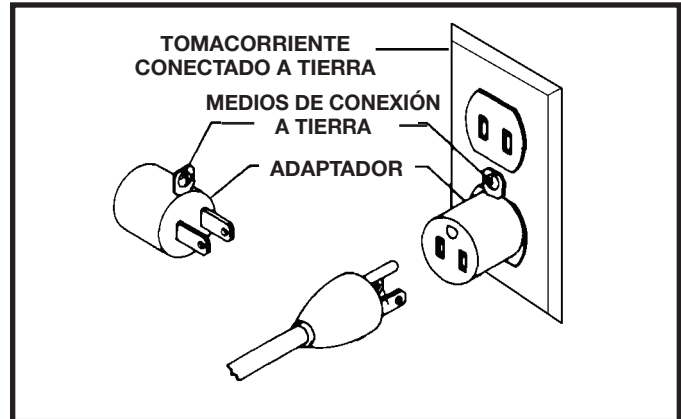


FIG. B

ESPECIFICACIONES DEL MOTOR

El sistema eléctrico de su máquina corresponde a 110 voltios, 60 HZ de corriente alterna. Antes de conectar la máquina a la fuente de poder, asegúrese de que el interruptor esté en la posición de apagado.

INSTRUCCIONES DE CONEXIÓN A TIERRA

⚠ PELIGRO: ESTA MÁQUINA DEBE ESTAR CONECTADA A TIERRA MIENTRAS ESTÉ EN USO PARA PROTEGER AL OPERADOR DE UNA DESCARGA ELÉCTRICA.

1. Todas las máquinas conectadas con cables y con conexión a tierra:

En caso de mal funcionamiento o avería, la conexión a tierra proporciona un pasaje de menor resistencia para la corriente eléctrica para reducir el riesgo de descarga eléctrica. Esta máquina está equipada con un cable eléctrico, que tiene un conductor que conecta el equipo a tierra y un enchufe de conexión a tierra. El enchufe debe estar enchufado en un tomacorriente equivalente, que esté instalado y conectado a tierra correctamente, según todos los códigos y ordenanzas locales.

No modifique el enchufe suministrado; si no calza en el tomacorriente, haga instalar el tomacorriente adecuado por un electricista certificado.

Conectar incorrectamente el conductor que conecta el equipo a tierra puede provocar riesgo de shock eléctrico. El conductor con aislamiento que tiene una superficie exterior verde con o sin rayas amarillas es el conductor que conecta el equipo a tierra. Si es necesario reparar o reemplazar el cable eléctrico o el enchufe, no conecte el conductor que conecta el equipo a tierra a una terminal activa.

Consulte con un electricista certificado o con el personal de servicio de mantenimiento si no comprende completamente las instrucciones de conexión a tierra o si tiene dudas sobre si la máquina está conectada a tierra adecuadamente.

Utilice únicamente alargadores eléctricos trifilares con enchufes del tipo que tienen tres clavijas y un tomacorriente equivalente de 3 conductores que acepten el enchufe de la máquina, como se muestra en la figura A.

Repáre o reemplace inmediatamente el cable que esté dañado o deteriorado.

⚠ PELIGRO: EN TODOS LOS CASOS, ASEGÚRESE DE QUE EL TOMACORRIENTE EN CUESTIÓN ESTÉ CONECTADO A TIERRA CORRECTAMENTE. SI NO ESTÁ SEGURO, HAGA QUE UN ELECTRICISTA CERTIFICADO VERIFIQUE EL TOMACORRIENTE.

ALARGADORES ELÉCTRICOS

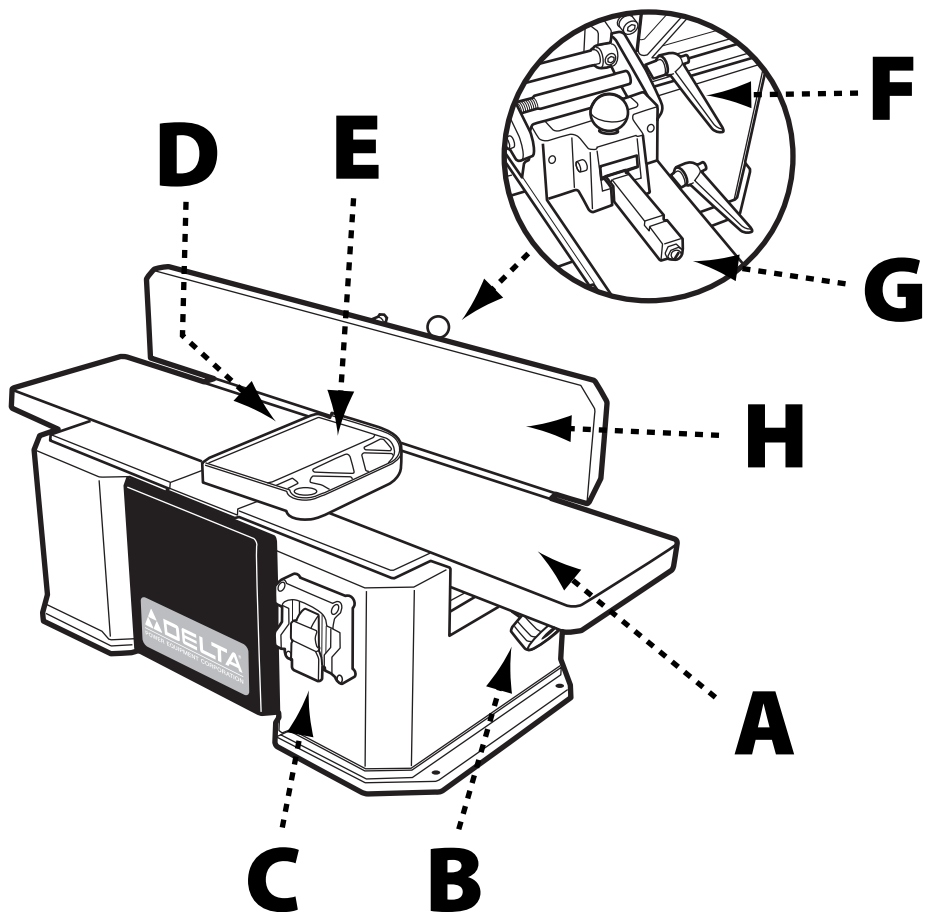
⚠ PRECAUCIÓN: Utilice los alargadores eléctricos adecuados. Cerciórese de que los alargadores eléctricos estén en buenas condiciones y de que sean del tipo de alargadores eléctricos con 3 cables que tienen un enchufe con conexión a tierra con 3 clavijas y un tomacorriente equivalente que acepte el enchufe de la máquina. Cuando utilice un alargador eléctrico, asegúrese de que sea lo suficientemente resistente para soportar la corriente de la máquina. Un cable inferior causará una disminución en el voltaje de la línea, lo cual genera pérdida de potencia y recalentamiento. La tabla muestra el calibre correcto que se debe usar dependiendo del largo del cable. Si tiene dudas, utilice el siguiente calibre más resistente. Cuanto menor el número del calibre, más resistente es el cable.

| ALARGADOR ELÉCTRICO DE CALIBRE MÍNIMO | | | |
|--|---------|---|---------------------------------|
| TAMAÑOS RECOMENDADOS PARA UTILIZAR CON MÁQUINAS ELÉCTRICAS FIJAS | | | |
| Amperaje | Voltios | Largo total del cable en metros (pies) | Calibre del alargador eléctrico |
| 0-6 | 120 | hasta 7.6 (25) | 18 AWG |
| 0-6 | 120 | 7.6-15.2 (25-50) | 16 AWG |
| 0-6 | 120 | 15.2-30.5 (50-100) | 16 AWG |
| 0-6 | 120 | 30.5-45.7 (100-150) | 14 AWG |
| 6-10 | 120 | hasta 7.6 (25) | 18 AWG |
| 6-10 | 120 | 7.6-15.2 (25-50) | 16 AWG |
| 6-10 | 120 | 15.2-30.5 (50-100) | 14 AWG |
| 6-10 | 120 | 30.5-45.7 (100-150) | 12 AWG |
| 10-12 | 120 | hasta 7.6 (25) | 16 AWG |
| 10-12 | 120 | 7.6-15.2 (25-50) | 16 AWG |
| 10-12 | 120 | 15.2-30.5 (50-100) | 14 AWG |
| 10-12 | 120 | 30.5-45.7 (100-150) | 12 AWG |
| 12-16 | 120 | hasta 7.6 (25) | 14 AWG |
| 12-16 | 120 | 7.6-15.2 (25-50) | 12 AWG |
| 12-16 | 120 | NO SE RECOMIENDA UNA LONGITUD MAYOR A 15.2 METROS (50 PIES) | |

CARACTERÍSTICAS Y COMPONENTES CLAVE

- A. Mesa de avance de entrada/ avance de salida
- B. Ajuste de profundidad de corte
- C. Interruptor de encendido/ apagado
- D. Cabeza de corte (no visible)
- E. Guarda de la cuchilla
- F. Seguro del ángulo del tope guía
- G. Tope biselado de 45°
- H. Tope guía trasero

NOTA: Dentro del montaje del tope guía hay una guarda deslizable roja. Asegúrese de que la guarda se mueva libremente con el tope guía.



DESCRIPCIÓN FUNCIONAL

El canteador de banco 37-071 de 152 mm (6 pulg.) DELTA® con una capacidad de corte diseñada de 152 mm (6 pulg.) de ancho y 3.2 mm (1/8 pulg.) de profundidad. Incluye un motor de 110 voltios y 10,000 RPM, un tope guía pasante montado en un centro oscilante y una cabeza de corte de dos cuchillas.

ESPECIFICACIONES DEL PRODUCTO

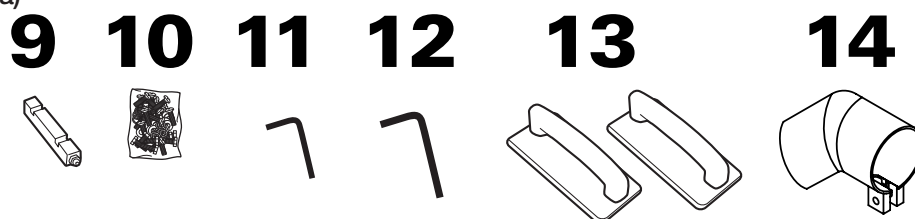
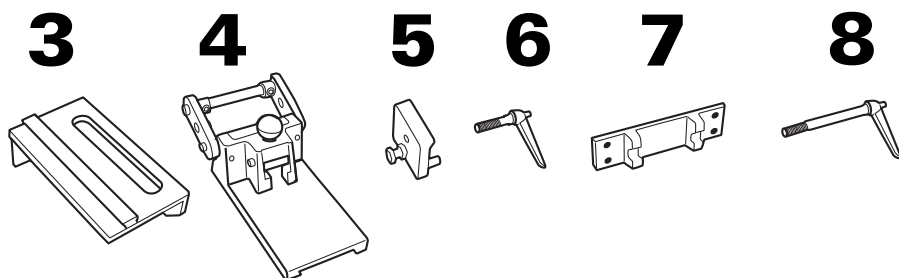
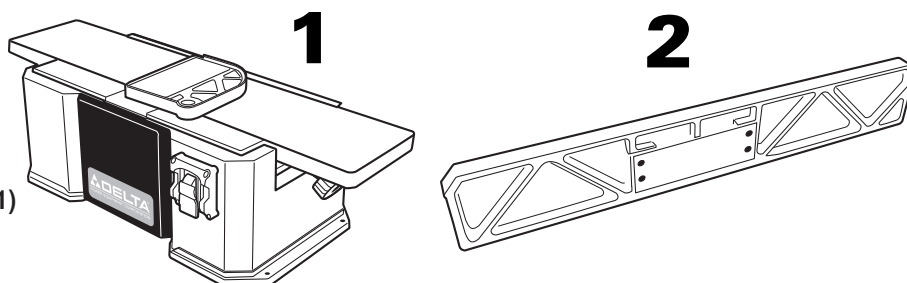
| | |
|-----------------------------------|--|
| Peso | 34.5 kg (76 lbs) |
| Dimensiones generales (L x A x H) | 660 mm x 203 mm x 254 mm (26 x 8 x 10 pulg.) |
| Dimensiones de la mesa (L x A) | 724 mm x 159 mm (28-1/2 in. x 6-□ pulg.) |
| Motor | 12 amperes 120V Monofásico 60 Hz |
| Ancho del corte máximo | 152 mm (6 pulg.) |
| Profundidad del corte máxima | 3.2 mm (1/8 pulg.) |
| Número de cuchillas | 2 |
| Cortes por minuto | 20,000 |
| Longitud del tope guía | 581 mm (22-7/8 pulg.) |
| Altura del tope guía | 109 mm (4-5/16 pulg.) |
| Ángulo del tope guía | 90° y 45° y 135° |
| Diámetro de la cabeza de corte | 47.6 mm (1-7/8 pulg.) |
| Velocidad de la cabeza de corte | 10,000 RPM |

DESEMPAQUE

Compare todas las partes con la siguiente lista y compruebe que todas las partes estén presentes y en buenas condiciones. Reporte cualquier parte que falte o esté dañada a su distribuidor o concesionario. Antes de ensamblar y usar la herramienta, lea con atención este manual para familiarizarse con los procedimientos adecuados de ensamblado, mantenimiento y seguridad.

DESCRIPCIÓN (CANTIDAD)

1. Canteador de 152 mm (6 pulg.)
37-071 (1)
2. Tope guía
3. Soporte trasero del tope guía (1)
4. Abrazadera trasera del tope guía (1)
5. Mordaza en cola de milano (1)
6. Agarradera divisora (1)
7. Placas de montaje del tope guía (1)
8. Seguro del ángulo del tope guía (1)
9. Tope de ángulo de 45°/90° (1)
10. Paquete de tornillería (1)
11. Llave hexagonal de 4 mm (1)
12. Llave hexagonal de 6 mm (1)
13. Bloques de empuje (2)
14. Polvo Tolva (1)
15. Manual del operador (no se muestra)



CONTENIDO DEL PAQUETE DE TORNILLERÍA

- Tornillos de cabeza hexagonal M8 x 16 mm (4)
- Tornillos de cabeza hexagonal M8 x 20 mm (2)
- Arandelas de seguridad de 8 mm (6)

DESEMPAQUE

Retire todo el material y los recubrimientos protectores de todas las partes y de la herramienta. Los recubrimientos protectores pueden quitarse rociando WD-40 sobre ellos y retirándolos con un paño suave. Es posible que deba hacer esto varias veces para quitar por completo todos los recubrimientos protectores.

⚠ ADVERTENCIA: Si falta cualquiera de las partes, no intente conectar el cable de corriente y encender la máquina. La máquina debe encenderse únicamente después de tener e instalar correctamente todas las partes.

ENSAMBLE

ENSAMBLE DEL TOPE GUÍA

1. Sujete la abrazadera de soporte del tope guía (A) al bastidor de la herramienta usando dos tornillos de cabeza de sombrero M8 x 25 mm (B), cada uno equipado con una arandela de seguridad de 8 mm. Vea la figura 1. Asegúrese de que la superficie superior de la abrazadera esté al ras con la parte superior de la mesa.
2. Como se indica en la figura 2, deslice la mordaza en cola de milano (C) en el soporte del tope guía (D) asegurando que las partes superiores de ambos pasadores inferiores en la mordaza estén al ras con la superficie inferior de la abrazadera de soporte del tope guía. Sujete ligeramente la mordaza en cola de milano al soporte del tope guía con la agarradera de cierre divisora (E).
3. Sujete la placa de montaje del tope guía (A) al tope guía (B) usando los tornillos de cabeza de sombrero M8 x 25 mm y las arandelas de seguridad de 8 mm. Vea la figura 3.
4. Deslice el tope guía ensamblado (A) sobre la abrazadera de soporte del tope guía (B). El borde izquierdo del ensamblaje del tope guía debe alinearse con el borde izquierdo de la abrazadera. El borde de cola de milano en el lado derecho debe engancharse con la mordaza en cola de milano. Apriete la agarradera de cierre divisora para sujetar firmemente y cuadrar el ensamblaje. Asegúrese de que la guarda deslizante roja se mueva libremente y se sujete a los imanes en el lado trasero del tope guía. Vea la figura 4.

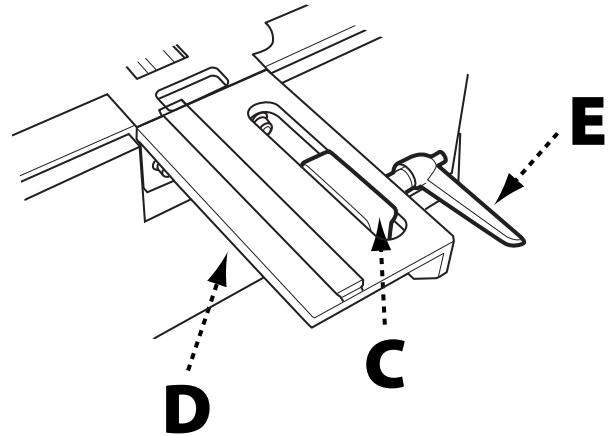


FIGURA 2

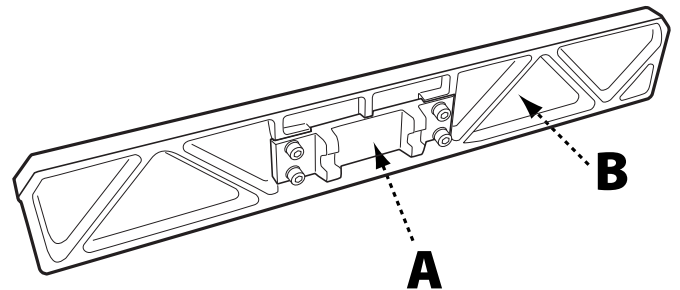


FIGURA 3

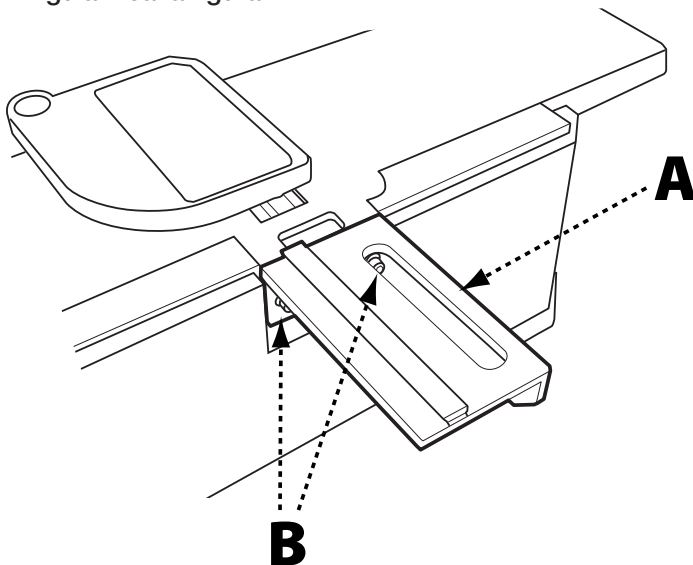


FIGURA 1

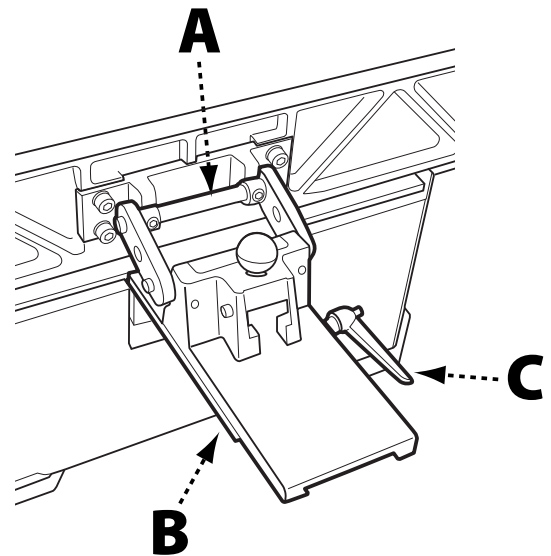


FIGURA 4

ENSAMBLE DEL SEGURO DEL ÁNGULO DEL TOPE GUÍA

1. Pase el extremo roscado del seguro de ángulo del tope guía (A) por ambos orificios en el ensamble de montaje del tope guía y sujételo atornillándolo al ensamble. Vea la figura 5.
2. Instale el tope de ángulo de 45°/90° jalando el pasador cargado con resorte (B) y deslizando el

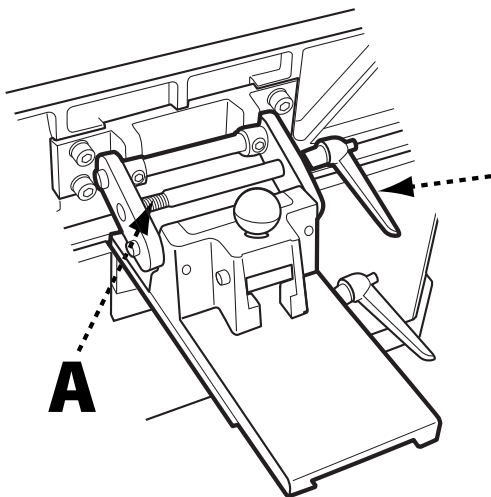


FIGURA 5

tope de ángulo (C) en el orificio de mortaja como se muestra en la figura 6. Al soltar el pasador el tope de ángulo se trabará en su lugar. Cuando se traba en la posición completamente enganchada, el tope está a 90°. Cuando se traba en la posición parcialmente enganchada, el tope está a 45°.

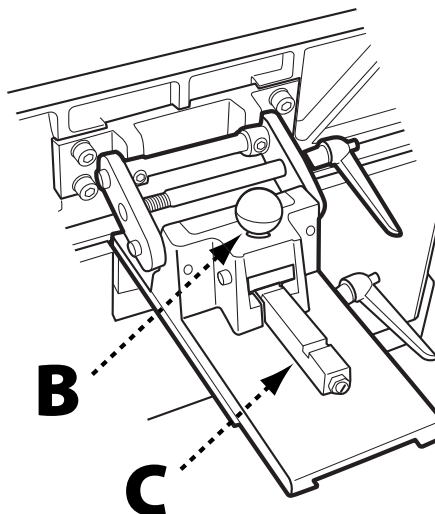


FIGURA 6

ALINEACIÓN DE LA CABEZA DE CORTE CON LA MESA DE AVANCE DE SALIDA

⚠ ADVERTENCIA: Desconecte la máquina de la fuente de poder antes de realizar cualquier ajuste.

Para poder alimentar de manera segura el material hacia el canteador, la superficie superior de la mesa de avance de salida debe estar nivelada con el punto más alto de las cuchillas de la cabeza de corte durante su rotación. Para comprobar la posición de las cuchillas de la cabeza de corte en relación con la mesa de avance de salida, consulte la figura 7 y siga los siguientes pasos.

1. Desconecte la máquina de la fuente de poder.
2. Coloque una regla en la mesa de avance de salida (A) a fin de que un extremo sobresalga por encima de la cabeza de corte. Para mejores resultados, la regla debe poder colocarse en el borde sin tener que mantenerla en su lugar.
3. Lentamente y con cuidado gire la cabeza de corte (B) hacia la mesa de avance de entrada (C). A medida que el borde de la cuchilla pase por debajo de la regla, debe casi pasar rozando la parte inferior de la regla, causando que se mueva un poco hacia adelante a no más de 3.2 mm (1/8").
4. Si la rotación de la cabeza de corte levanta y mueve la regla más de 3.2 mm (1/8") o si no logra tener contacto con la parte inferior de la regla, necesitará ajustar la posición de la cuchilla.

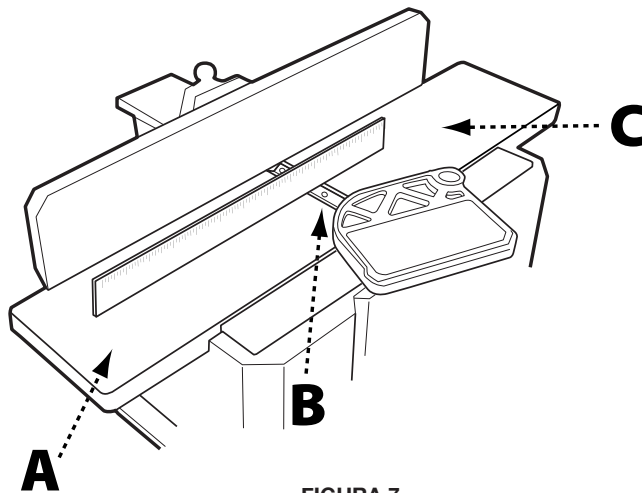


FIGURA 7

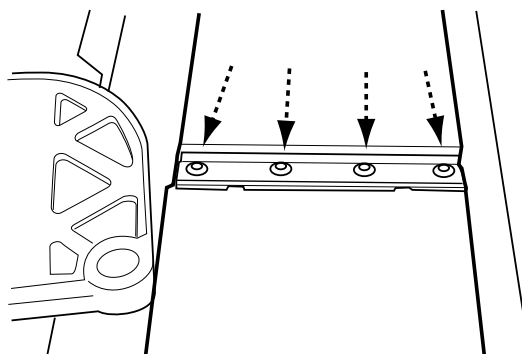


FIGURA 8

ALINEACIÓN DE LA CABEZA DE CORTE CON LA MESA DE AVANCE DE SALIDA (continuación)

5. Use un pedazo de madera para mantener abierta la guarda cargada con resorte y exponer por completo la cabeza de corte.
6. Afloje los cuatro tornillos que sujetan la barra sujetadora a la cabeza de corte. Vea la figura 8.
7. Busque los dos tornillos de ajuste en la cuchilla expuesta. Consulte la figura 9.
8. Gire los tornillos de ajuste hacia la derecha para bajar la cuchilla o hacia la izquierda para elevarla. Cada tornillo debe ajustarse por separado.
9. Vuelva a comprobar la posición de la cuchilla en cualquier extremo usando la regla como en el paso 3. Continúe ajustando la altura de la cuchilla hasta que pase rozando el lado de abajo de la regla lo suficiente para moverla 3.2 mm (1/8").

NOTA: Verifique que los lados derecho e izquierdo de la cuchilla de la cabeza de corte tengan la altura adecuada.

10. Vuelva a colocar la barra sujetadora y apriete los cuatro tornillos para sujetarla a la cabeza de corte. Apriete ligeramente cada uno de los tornillos de fijación, asegurándose de seguir la secuencia que se muestra en la figura 10.

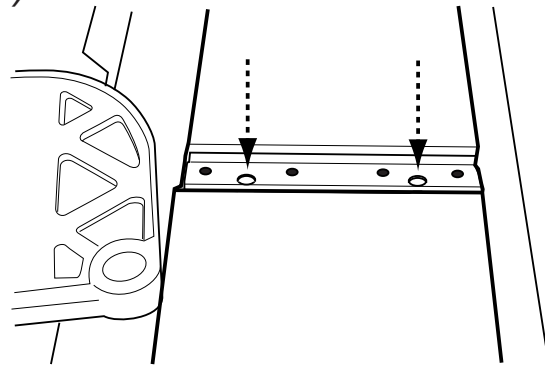


FIGURA 9

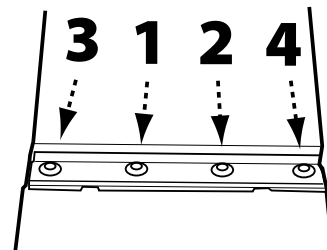


FIGURA 10

NOTA: No seguir la secuencia adecuada para ajustar los tornillos de fijación puede ocasionar que la posición de la cuchilla se altere lo cual puede afectar el desempeño de la herramienta.

CONEXIÓN AL COLECTOR DE POLVO

Un canteador produce una gran cantidad de partículas finas mientras está en funcionamiento. Se recomienda vehementemente que conecte el canteador a un recolector de polvo. Su canteador de banco DELTA® está equipado con un puerto de polvo de 57.2 (2-1/4" pulg.) (diámetro externo) que se ubica debajo de la mesa de avance de salida. Este debe conectarse a una manguera de recolector de polvo para garantizar una operación segura.

⚠ ADVERTENCIA: No intente operar esta herramienta sin conectarla primero a un sistema adecuado de recolección de polvo.

⚠ ADVERTENCIA: Siempre encienda el recolector de polvo antes de encender el canteador y siempre detenga el canteador antes de apagar el recolector de polvo.

ARRANQUE Y PARO DEL CANTEADOR

⚠ ADVERTENCIA: Asegúrese de que el interruptor esté en la posición de "OFF" (APAGADO) antes de conectar el cable al tomacorriente. No toque las puntas de metal del enchufe cuando desconecte o conecte el cable.

⚠ ADVERTENCIA: En caso de una interrupción de energía eléctrica (como un disparo del disyuntor o una desconexión del fusible), siempre cambie la llave a la posición "OFF" hasta que se restaure la energía eléctrica.

El interruptor de encendido/apagado (A) que se indica en la figura 11 se encuentra al frente del gabinete del canteador. Para encender la máquina, ponga el interruptor en la posición superior. Para apagar la máquina, ponga el interruptor en la posición inferior.

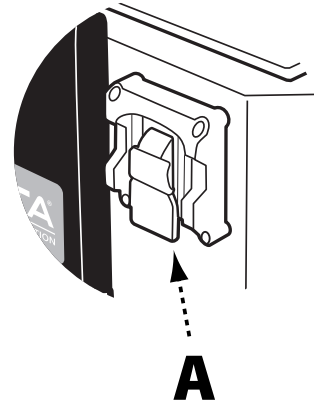


FIGURA 11

BLOQUEO DEL CANTEADOR USANDO LA LLAVE DE SEGURIDAD

1. Su canteador de banco de 152 mm (6 pulg.) DELTA® usa una llave de seguridad que le permite bloquear la herramienta en la posición "APAGADO" cuando no está en uso.

IMPORTANTE: Cuando la máquina no esté en uso, el interruptor debe bloquearse en la posición "OFF" para evitar el uso no autorizado.

2. Para bloquear la máquina, retire la llave de seguridad jalándola hacia afuera. Sin la llave de seguridad, el interruptor no funcionará.

3. En caso de que se retire la llave de seguridad mientras el canteador esté en funcionamiento, la máquina puede apagarse, mas no puede volver a encenderse, a menos que se vuelva a insertar la llave de seguridad.

AJUSTE DE LA POSICIÓN DEL TOPE GUÍA

⚠ ADVERTENCIA: Desconecte la máquina de la fuente de poder antes de realizar cualquier ajuste.

Vea la figura 12.

Antes de realizar cualquier operación en el canteador, compruebe que la posición del tope guía tenga aproximadamente el mismo ancho que el material a cantear. Para cantear un borde en material más delgado, se recomienda que ocasionalmente vuelva a posicionar el tope guía para evitar desafilarse las cuchillas en una sola área.

1. Para ajustar la posición del tope guía, afloje la agarradera de cierre divisora (A) girándola hacia la izquierda.
2. Mueva el tope guía a la posición adecuada.
3. Vuelva a apretar la agarradera de cierre divisora.

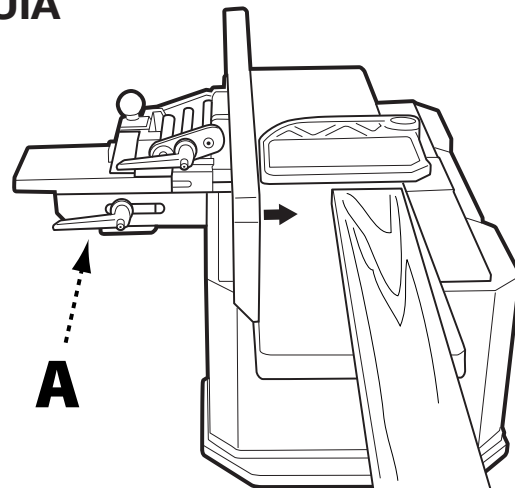


FIGURA 12

ALIMENTACIÓN DEL MATERIAL

1. Coloque la superficie a cantar boca abajo en la mesa de avance de entrada y contra el tope guía. Encienda el canteador y espere a que el motor alcance la velocidad total.
2. Aplique una presión ligera hacia abajo y lentamente alimente el material por la guarda de la cortadora cargada con resorte y sobre la cabeza de corte.

IMPORTANTE: Cuando se alimente el material horizontalmente, con el ancho de la tabla descansado sobre la mesa, siempre use paletas de

seguridad o un palo de empuje como se muestra en la figura 13. Cuando se alimente material verticalmente con el ancho de la tabla al ras contra el tope guía, siempre mantenga los dedos en la parte superior de la tabla. Vea la figura 14.

3. Continúe moviendo la tabla hasta que salga de la cortadora.
4. Apague el canteador y espere a que la cabeza de corte se detenga antes de quitar el material.

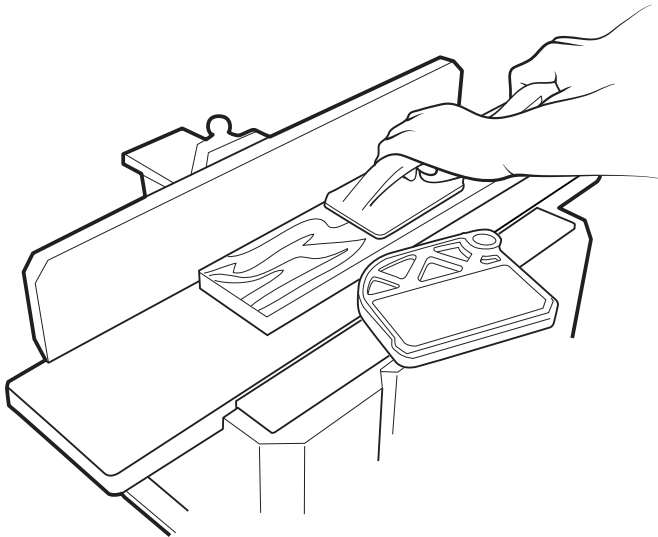


FIGURA 13

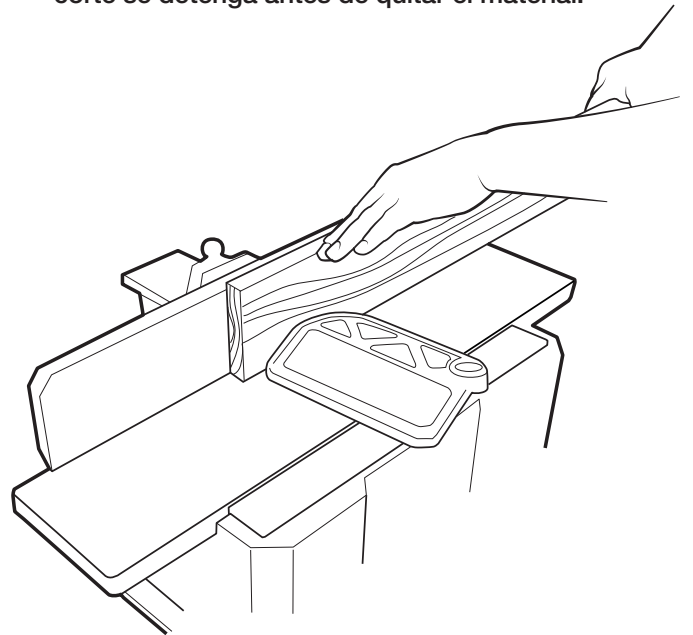


FIGURA 14

CANTEAR MATERIAL BISELADO

⚠ ADVERTENCIA: Desconecte la máquina de la fuente de poder antes de realizar cualquier ajuste.

El tope guía puede ajustarse a un ángulo interno de 45° y un ángulo exterior de 45°, permitiéndole cantar material biselado. Para ajustar la inclinación del tope guía, siga los siguientes pasos:

ÁNGULO EXTERIOR DE 135°

Vea la figura 15.

1. Afloje el seguro de biselado girando la agarradera (A) hacia la izquierda.
2. Jale el pasador cargado con resorte (B) hacia arriba y jale el tope de 90°/135° (C) levemente hacia atrás.
3. Suelte el pasador cargado con resorte y continúe jalando el tope de 90°/135° hasta que se sujete en su lugar.

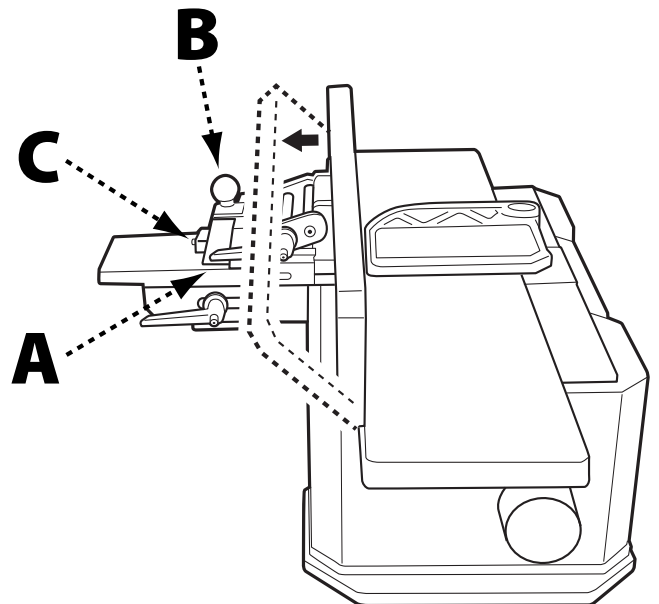


FIGURA 15

FUNCIONAMIENTO

CANTEAR MATERIAL BISELADO (continuación)

4. Vuelva a ajustar el seguro de biselado. Use una escuadra para carpintero para comprobar el ángulo de inclinación. Si este necesita ajustarse, consulte la sección de "Calibración de topes de 90° to 45°" en la página 50.

ÁNGULO INTERNO DE 45°

Vea la figura 16.

1. Afloje el seguro de biselado (A) girando la agarradera hacia la izquierda.
2. Inclíne el tope guía hacia la mesa hasta el máximo. Se detendrá cuando el tope guía toque los pernos del tope interno de 45°.
3. Vuelva a ajustar el seguro de biselado. Use una escuadra para carpintero para comprobar el ángulo de inclinación. Si este necesita ajustarse, consulte la sección de "Calibración de topes de 90° to 45°" en la página 50.

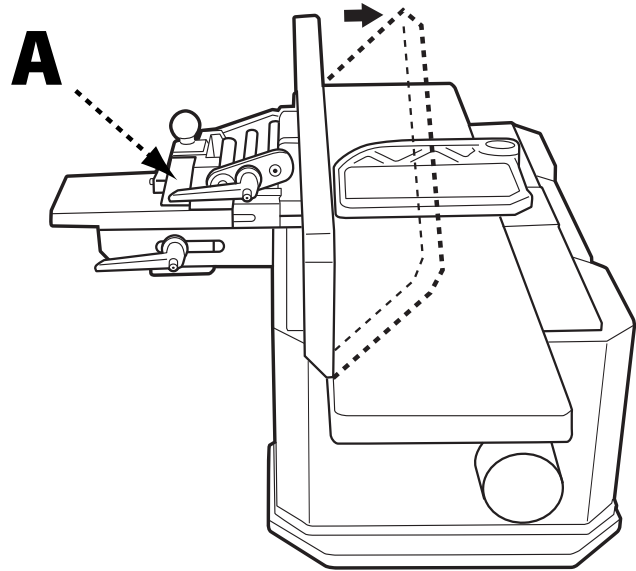


FIGURA 16

⚠ PRECAUCIÓN: Cuando se cantee con el tope guía inclinado hacia dentro a 45° alimente el material con cuidado para asegurarse de que la pieza de trabajo no quede atrapada entre el tope guía y la mesa, lo cual puede crear una situación peligrosa.

CALIBRACIÓN DE LOS TOPES DE 45°/90°

⚠ ADVERTENCIA: Desconecte la máquina de la fuente de poder antes de realizar cualquier ajuste.

Para garantizar resultados precisos y exactos, los topes de 45° y 90° deben posicionar exactamente el tope guía en relación con la superficie de la mesa.

PARA CALIBRAR EL TOPE DE 90°:

1. Afloje el seguro de biselado girando la agarradera hacia la izquierda.
2. Asegúrese de que el tope de 45°/90° esté completamente enganchado y trabado en su lugar.
3. Use una escuadra para carpintero con un borde plano en la mesa y el otro contra el tope guía, compruebe que el tope guía y la mesa estén cuadrados. Si es necesario cualquier ajuste, continúe con el paso #4.
4. Afloje la tuerca de retención ubicada en la varilla del tope de 90°.
5. Use un destornillador de cabeza plana para ajustar la posición de la varilla del tope. Consulte la figura 17. Girar la varilla hacia la derecha reduce el ángulo del tope guía mientras que girándola hacia la izquierda aumenta el ángulo del tope guía.
6. Vuelva a ajustar la tuerca de retención y vuelva a trabar el seguro de biselado. Luego vuelva a comprobar el ángulo usando la escuadra para carpintero. Continúe ajustando según sea necesario.

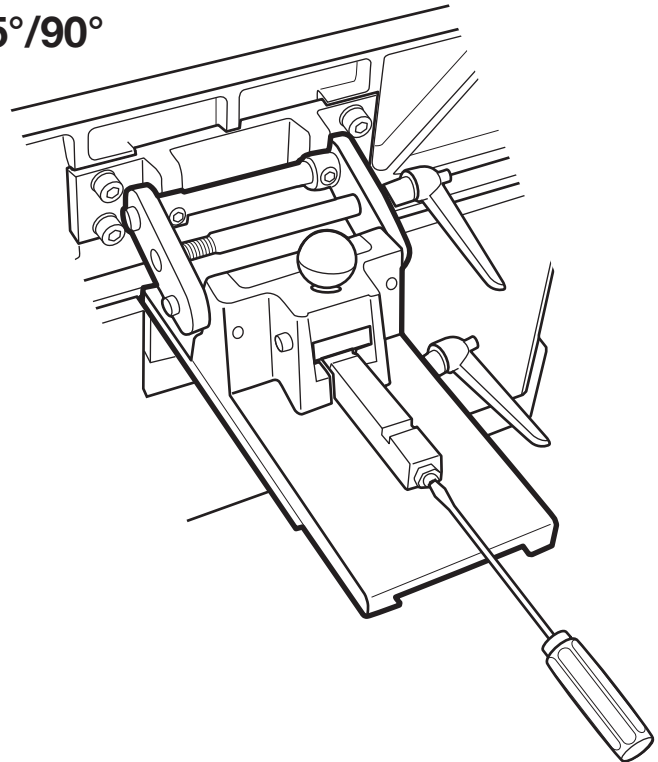


FIGURA 17

FUNCIONAMIENTO

PARA CALIBRAR LOS TOPES INTERIOR Y EXTERIOR DE 45°:

1. Afloje el seguro de biselado girando la agarradera hacia la izquierda.
2. Consulte la figura 18 y busque los dos conjuntos de pernos del tope de 45° (A), hay dos pernos que fijan la posición para el tope de 45° interno y dos que fijan la posición para el tope de 45° externo.
3. Afloje las dos tuercas de retención en el conjunto adecuado de pernos del tope y ajústelos ya sea hacia dentro o afuera.

NOTA: Las cabezas de ambos pernos del tope deben estar al ras contra el ensamble del montaje.

4. Vuelva a ajustar la tuerca de retención y vuelva a trabar el seguro de biselado. Luego vuelva a comprobar el ángulo usando la escuadra para carpintero. Continúe ajustando según sea necesario.

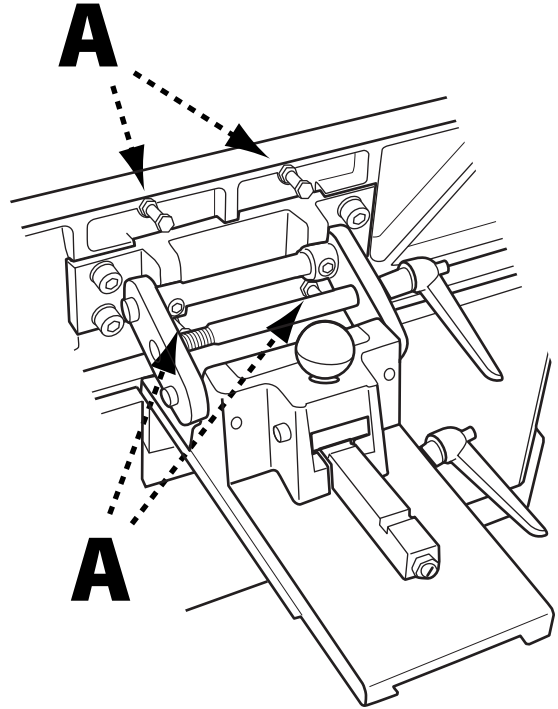


FIGURA 18

AJUSTE DE LA PROFUNDIDAD

⚠ ADVERTENCIA: Desconecte la máquina de la fuente de poder antes de realizar cualquier ajuste.

El canteador de banco 37-071 DELTA® está diseñado para retirar no más de 3.2 mm (1/8 pulg.) de material en una sola pasada. Para operaciones que requieran retirar más material, realice varias pasadas para lograr las dimensiones deseadas.

1. Para ajustar la profundidad del corte, gire la rueda de ajuste de altura de la mesa de avance de entrada. Girar la rueda hacia la derecha eleva la mesa (reduciendo la profundidad del corte) mientras que girándola hacia la izquierda baja la mesa (aumentando la profundidad del corte).

MANTENIMIENTO

CAMBIO DE CUCHILLAS DE LA CABEZA DE CORTE

⚠ ADVERTENCIA: Desconecte la máquina de la fuente de poder antes de realizar cualquier ajuste.

⚠ ADVERTENCIA: Las cuchillas del canteador son peligrosamente filosas. Tenga mucho cuidado cuando inspeccione, quite, afile o reemplace las cuchillas en la cabeza de corte. No hacerlo podría producir lesiones graves.

El canteador de banco 37-071 de 152 mm (6 pulg.) DELTA® usa dos cuchillas individuales. En caso de observar una disminución significativa en el desempeño de su canteador, puede ser necesario reemplazar las cuchillas. Para hacer esto, siga los siguientes pasos:

1. Coloque un pedazo de madera entre la guarda cortadora cargada con resorte y el tope guía a fin de exponer por completo la cabeza de corte.
2. Lentamente y con cuidado gire la cabeza de corte a mano hasta que la barra sujetadora y los cuatro tornillos de fijación (A) estén accesibles. Vea la figura 19.
3. Desatornille los tornillos de fijación y retire la barra sujetadora.

⚠ PRECAUCIÓN: Las cuchillas de la cabeza de corte están filosas. Tenga cuidado cuando maneje las cuchillas de la cabeza de corte. Use guantes para reducir el riesgo de lesiones.

4. Con cuidado levante la cuchilla de la cabeza de corte, teniendo la precaución de observar la orientación adecuada a la cabeza de corte.
5. Repita los pasos 2 a 4 con la segunda cuchilla de la cabeza corte.
6. Limpie la cabeza de corte a fondo antes de instalar nuevas cuchillas o volver a instalar las cuchillas afiladas.
7. Instale la cuchilla nueva o recién afilada y la barra sujetadora en la cabeza de corte. Apriete ligeramente cada uno de los tornillos de fijación, asegurándose de seguir la secuencia que se muestra en la figura 20.

NOTA: No seguir la secuencia adecuada para ajustar los tornillos de fijación puede ocasionar que la posición de la cuchilla se altere lo cual puede afectar el desempeño de la herramienta.

8. Repita el paso 7 con la segunda cuchilla de la cabeza de corte.

9. Compruebe que la alineación de las cuchillas con la superficie de la mesa de avance de salida sea como se describió en la sección de Alineación de la cabeza de corte con la mesa de avance de salida en la página 46. De ser necesario, gire los dos tornillos niveladores en cualquier extremo de la cuchilla de la cabeza de corte a fin de asegurarse de que la cuchilla está paralela a la mesa de avance de salida.

10. Ajuste cada uno de los cuatro tornillos de fijación usando la secuencia descrita en la figura 19.

11. Retire el pedazo de madera y regrese la guarda de la cabeza de corte a la posición de operación original. Vuelva a alinear el tope guía según sea necesario y pruebe el canteador en un pedazo de madera.

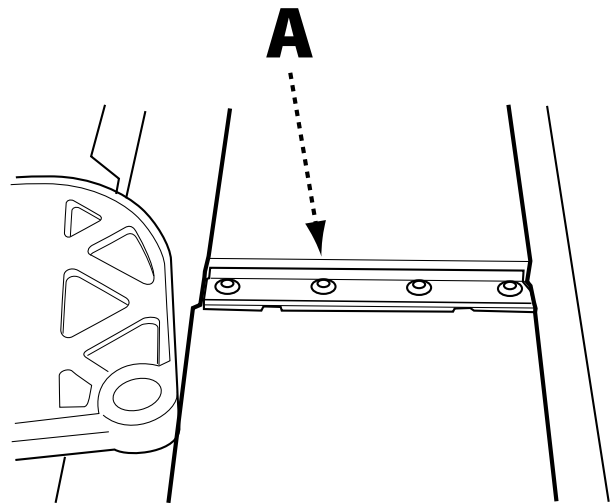


FIGURA 19

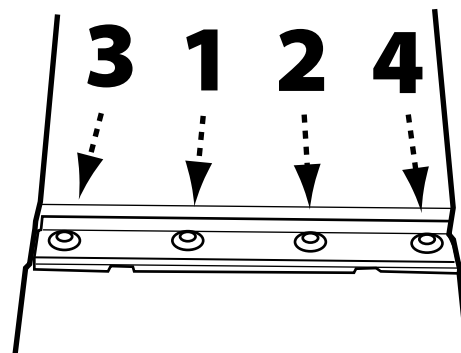


FIGURA 20

OTRO MANTENIMIENTO RECOMENDADO

1. Sopletee periódicamente todos los conductos de aire con aire comprimido seco. Todas las partes de plástico deben limpiarse con un paño húmedo y suave. NUNCA use solventes para limpiar las partes de plástico. Pueden disolver o dañar de alguna manera el material.
2. Revise periódicamente que el resto de la tornillería esté ajustada y escuche con atención si hay vibraciones inusuales a medida que trabaja, puesto que pueden ser un signo de tornillería suelta.

ACCESORIOS

Puede obtener una línea completa de accesorios a través de su proveedor de DELTA®, los centros de servicio de fábrica de DELTA® y los puntos de servicio autorizados de DELTA®. Visite nuestro sitio web www.DeltaMachinery.com para obtener un catálogo por Internet o el nombre de su proveedor más cercano.

⚠ ADVERTENCIA: Debido a que los accesorios que no ofrece DELTA® no han sido probados con este producto, el uso de dichos accesorios puede ser peligroso. Para obtener una operación segura, se deben utilizar con este producto únicamente los accesorios recomendados por DELTA®.

GARANTÍA

Para registrar su herramienta para servicio de garantía, visite nuestro sitio web en www.DeltaMachinery.com.

Garantía de producto nuevo limitada a cinco años

DELTA® reparará o sustituirá, a su cargo y opción, cualquier nueva máquina, repuesto o accesorio de la máquina DELTA® que, en condiciones normales de utilización, ha demostrado ser defectuoso en mano de obra o material, siempre que el cliente devuelva el producto prepago a un Centro de servicio de fábrica DELTA® o a una estación de servicio autorizada con el comprobante de compra del producto dentro de un plazo de cinco años y le proporcione a DELTA® la oportunidad razonable para verificar el presunto defecto mediante inspección. El período de garantía para todo producto DELTA® reacondicionado es de 180 días. DELTA® no será responsable por ningún defecto encontrado que sea resultado del desgaste normal, mal uso, abuso o reparación o alteración realizada o autorizada específicamente por ninguna parte que no sea un Centro de servicio DELTA® autorizado o representante. Bajo ninguna circunstancia DELTA® será responsable por daños fortuitos o consecuentes derivados de productos defectuosos. Algunos estados no permiten la exclusión o limitación de daños incidentales o consecuentes, por lo que la limitación o exclusión anterior podría no aplicarse a usted. Esta es la única garantía de DELTA® y establece el recurso exclusivo del cliente, con respecto a productos defectuosos; todas las demás garantías, expresas o implícitas, ya sea de comerciabilidad, adecuación para un propósito o de otro tipo, están expresamente excluidas por DELTA®. Para obtener más detalles sobre la cobertura de la garantía e información de la garantía de reparación, visite www.DeltaMachinery.com o llame al 1-800-223-7278. Esta garantía le otorga derechos legales específicos y usted puede tener otros derechos que varían en ciertos estados o provincias.

AMÉRICA LATINA: Esta garantía no se aplica a los productos vendidos en América Latina. Para los productos vendidos en América Latina, vea la información de garantía específica del país contenida en el embalaje, llame a la empresa local o consulte el sitio web para obtener información de garantía.

ASISTENCIA SOBRE GARANTÍA, SERVICIO O PIEZAS

Todas las máquinas y accesorios DELTA[®] están fabricados en cumplimiento de altos estándares de calidad y reciben el servicio técnico de una red de centros de servicio de fábrica de DELTA[®] y centros de servicio autorizados de DELTA[®]. Para obtener información adicional sobre su producto de calidad DELTA[®], obtener asistencia sobre garantía, servicio o piezas, o para localizar el centro de servicio más cercano, llame al 1-800-223-7278.

PIEZAS DE REPUESTO

Utilice solamente piezas de repuesto idénticas. Para obtener una lista de las piezas o para hacer un pedido de piezas, visite nuestro sitio web en www.DeltaMachinery.com/service. También puede hacer un pedido de piezas desde su sucursal de la fábrica más cercana, el centro autorizado de servicio de garantía, o puede llamar al gerente de servicio técnico al número 1-800-223-7278 para recibir asistencia personalizada por parte de uno de nuestros expertos representantes.

REEMPLAZO GRATUITO DE LA ETIQUETA DE ADVERTENCIA

Si le faltan las etiquetas de advertencia o si se encuentran ilegibles, llame al 1-800-223-7278 para que se las reemplacen de manera gratuita.

| ⚠ WARNING | ⚠ ADVERTENCIA |
|---|--|
| <ol style="list-style-type: none"> For your own safety read and understand instruction manual before operating jointer. Always wear ANSI Z87.1 approved safety glasses. Always keep cutterhead and knife guards in place and in proper working condition. Do not remove guard for rabbeting operations. Never make jointing, planing or rabbeting cuts deeper than 1/8 in. (3mm). Always use hold down/push blocks for jointing material narrower than 3 in. (76mm), or planing material thinner than 3 in. (76mm). Never perform jointing, planing, or rabbeting cuts on pieces shorter than 8 1/8 in. (206mm) in length. Do not expose to rain or damp locations. To avoid kickbacks, use this machine for single board surfacing only. | <ol style="list-style-type: none"> Pour votre propre sécurité, veuillez lire et comprendre le manuel d'instructions avant d'utiliser la dégauchisseuse. Portez toujours des lunettes de sécurité homologuées ANSI Z87.1. Laissez toujours les protections du porte-fers et des fers en place et en bon état de fonctionnement. Ne pas enlever le protecteur pour les opérations de refeuillement. N'effectuez jamais de jointage, de rabotage ou de refeuillement à plus de 1/8 po (3mm) de profondeur. Utilisez toujours des blocs-poussoirs ou de maintien pour le jointage de matériaux plus étroits que 3 po (76mm), ou lerabotage de matériaux plus minces que 3 po (76mm). N'effectuez jamais de jointage, de rabotage ou de refeuillement sur des pièces d'une longueur inférieure à 8-1/8 po (206mm). N'exposez pas l'outil à la pluie ou aux endroits humides. Pour éviter les rebonds, utilisez le même outli pour le dégauchissage de panneaux simples seulement. |

DPEC002256

| ⚠ WARNING | ⚠ AVERTISSEMENT |
|--|--|
| <ol style="list-style-type: none"> Install the dust collection accessories before operation. Install the dust collection bag safely. Don't touch the dust port. | <ol style="list-style-type: none"> Fixez les accessoires de collecte de poussière avant l'utilisation. Fixez le sac de collecte de poussière de manière sécuritaire. Ne touchez pas l'orifice d'évacuation de la poussière. |

DPEC002257

SERVICIO TÉCNICO Y REPARACIONES

Todas las herramientas de calidad en algún momento necesitarán servicio técnico o reemplazo de las piezas. Para obtener información sobre DELTA[®] Power Equipment Corporation, sus sucursales de fábrica o para localizar un centro autorizado de servicio de garantía, visite nuestro sitio web en www.DeltaMachinery.com/service o llame a nuestro centro de atención al cliente al 1-800-223-7278. Todas las reparaciones realizadas en nuestros centros de servicio tienen garantía completa contra materiales o mano de obra defectuosos. La garantía no cubre las reparaciones realizadas por terceros. También puede encontrar respuestas a las preguntas más frecuentes, las 24 horas del día, llamando al número indicado anteriormente.

También nos puede escribir para obtener información a: DELTA[®] Power Equipment Corporation, 99 Roush St., Anderson, SC 29625 - Attention: Technical Service Manager. Asegúrese de incluir toda la información que figura en la placa de identificación de su herramienta (número de modelo, tipo, número de serie, código de fecha, etc.)



POWER EQUIPMENT CORPORATION

2651 New Cut Rd.
Spartanburg SC, 29303
(800) 223-7278
www.DeltaMachinery.com

Copyright © 2012 DELTA® Power Equipment Corporation

DPEC002271

Revised: 09-15-2017

