



POWER EQUIPMENT CORPORATION

BS-14

PART #: DPEC01513

DATE: 03-07-12

REVISED: 04-27-22

28-400

14 in. STEEL FRAME BANDSAW WITH OPEN STAND

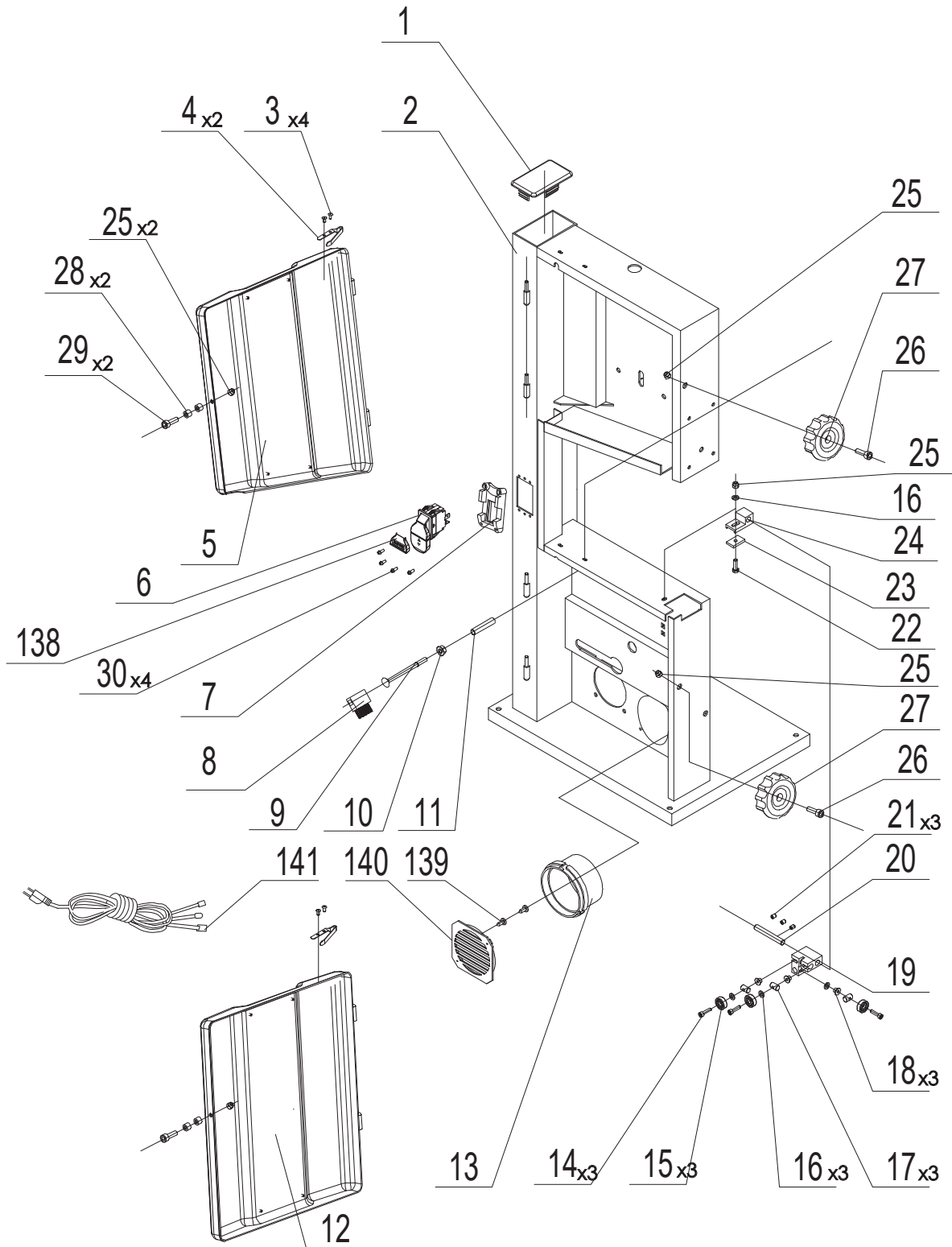
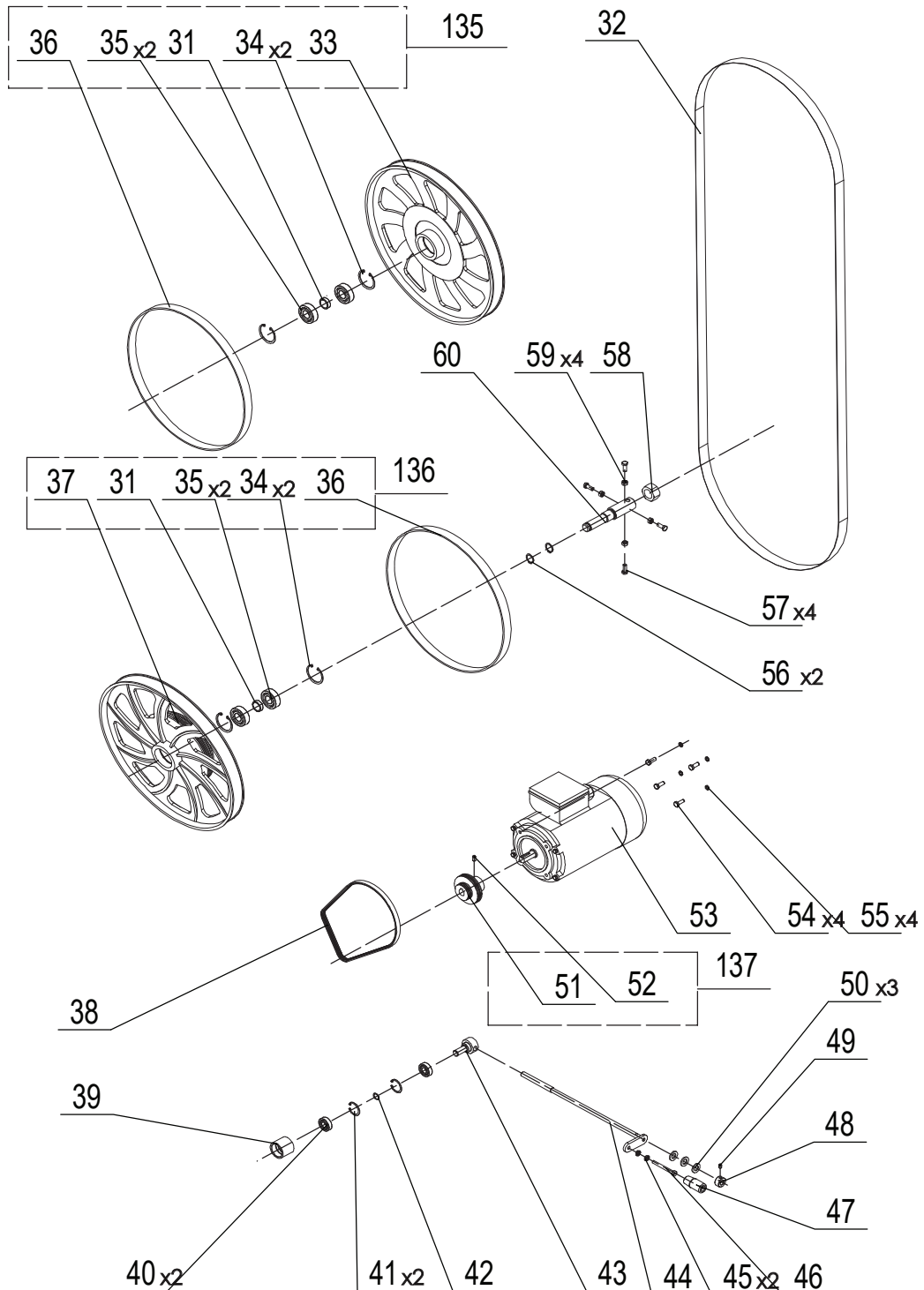


ILLUSTRATION 1

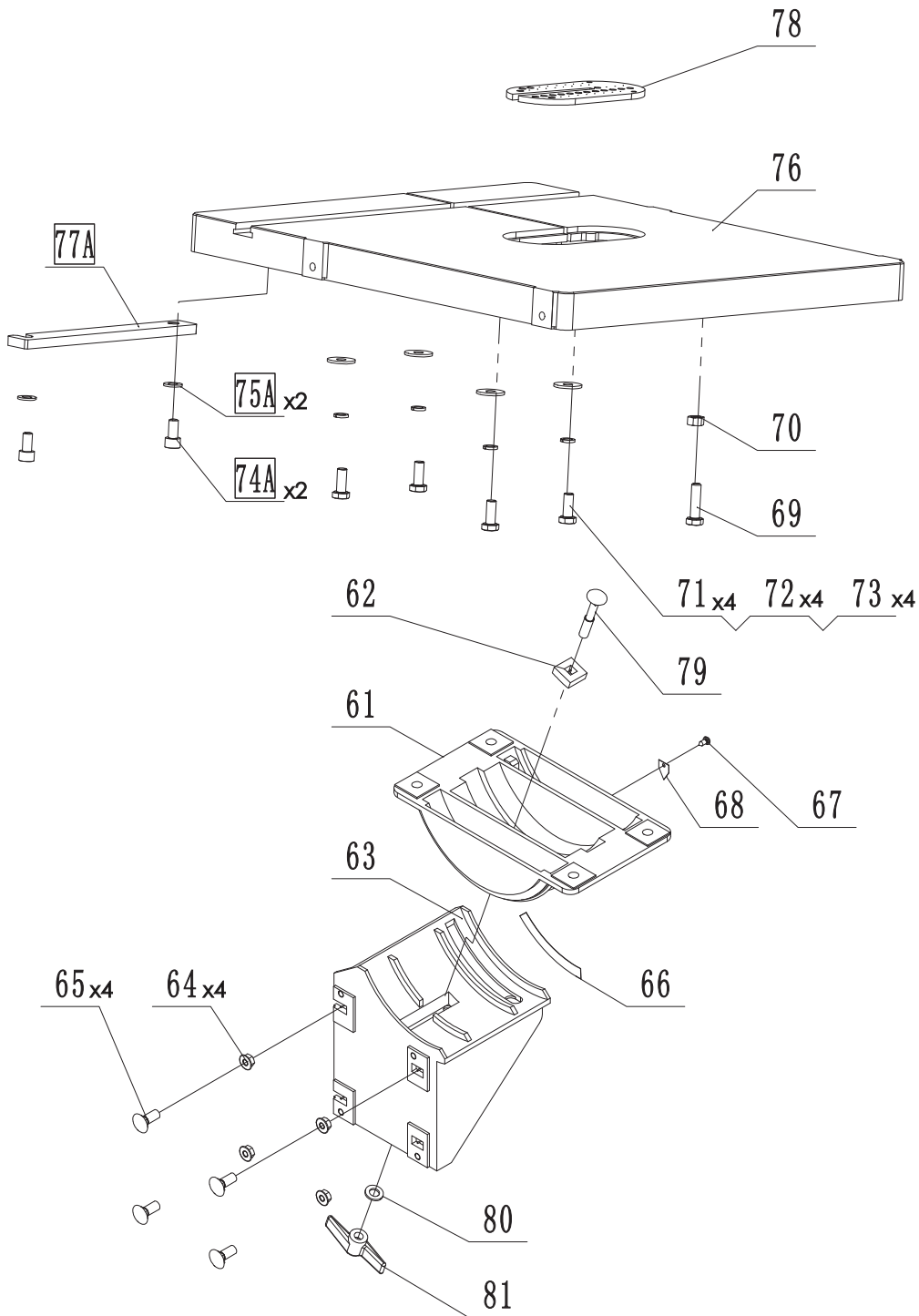
28-400
14 in. STEEL FRAME BANDSAW WITH OPEN STAND




POWER EQUIPMENT CORPORATION

BS-14
PART #: DPEC01513
DATE: 03-07-12
REVISED: 04-27-22

28-400 14 in. STEEL FRAME BANDSAW WITH OPEN STAND





POWER EQUIPMENT CORPORATION

BS-14

PART #: DPEC01513

DATE: 03-07-12

REVISED: 04-27-22

28-400 14 in. STEEL FRAME BANDSAW WITH OPEN STAND

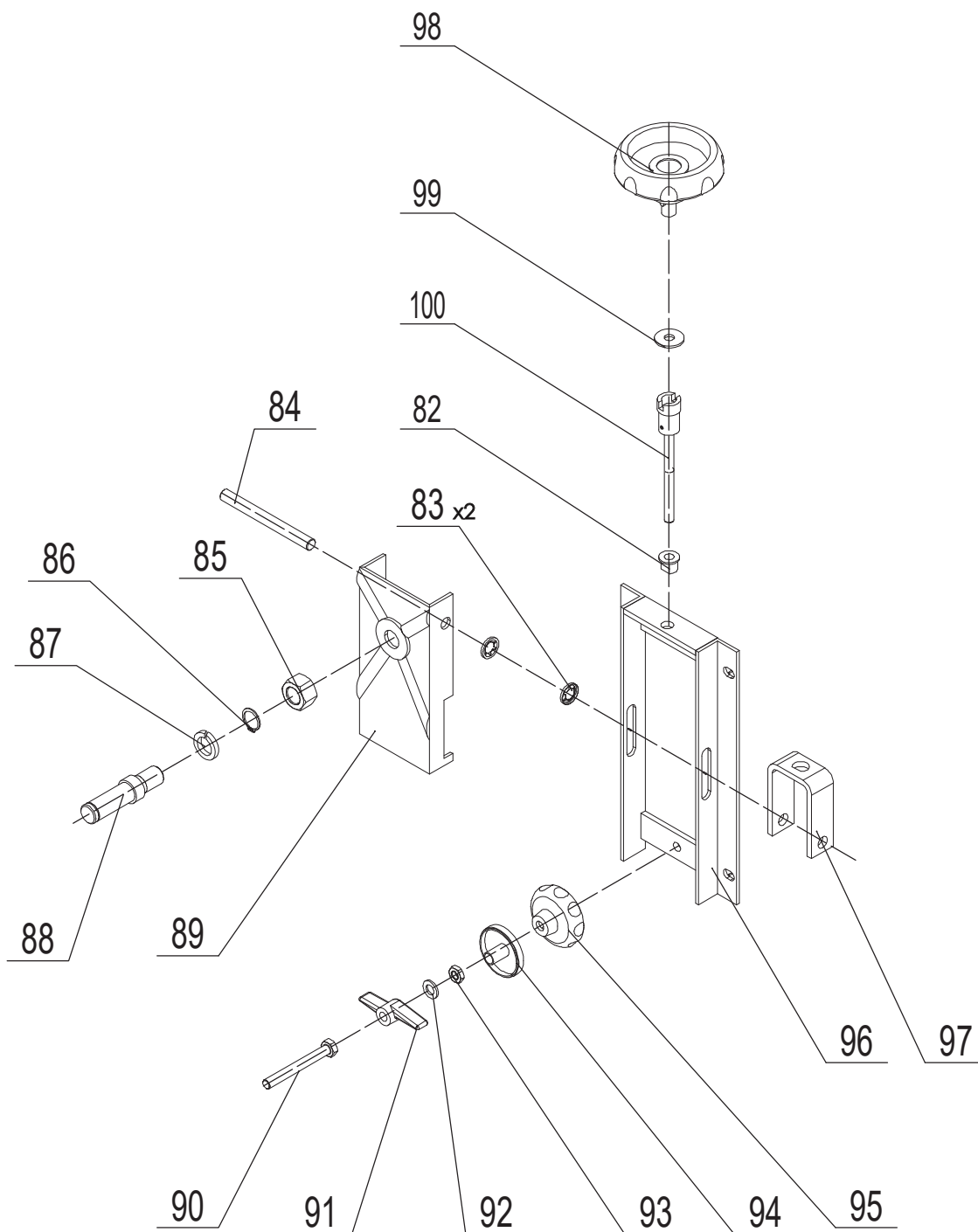


ILLUSTRATION 4



POWER EQUIPMENT CORPORATION

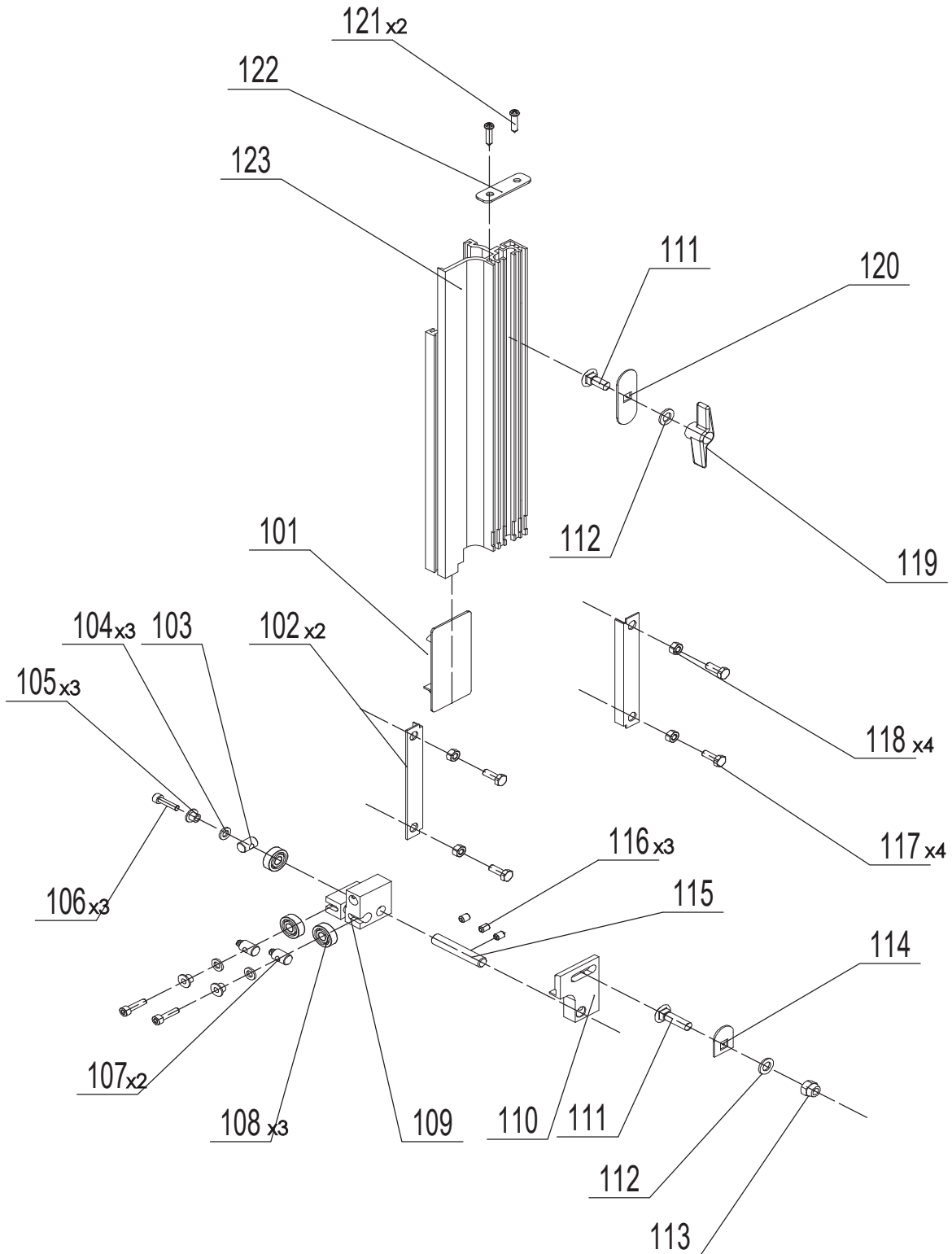
BS-14

PART #: DPEC01513

DATE: 03-07-12

REVISED: 04-27-22

28-400 14 in. STEEL FRAME BANDSAW WITH OPEN STAND





POWER EQUIPMENT CORPORATION

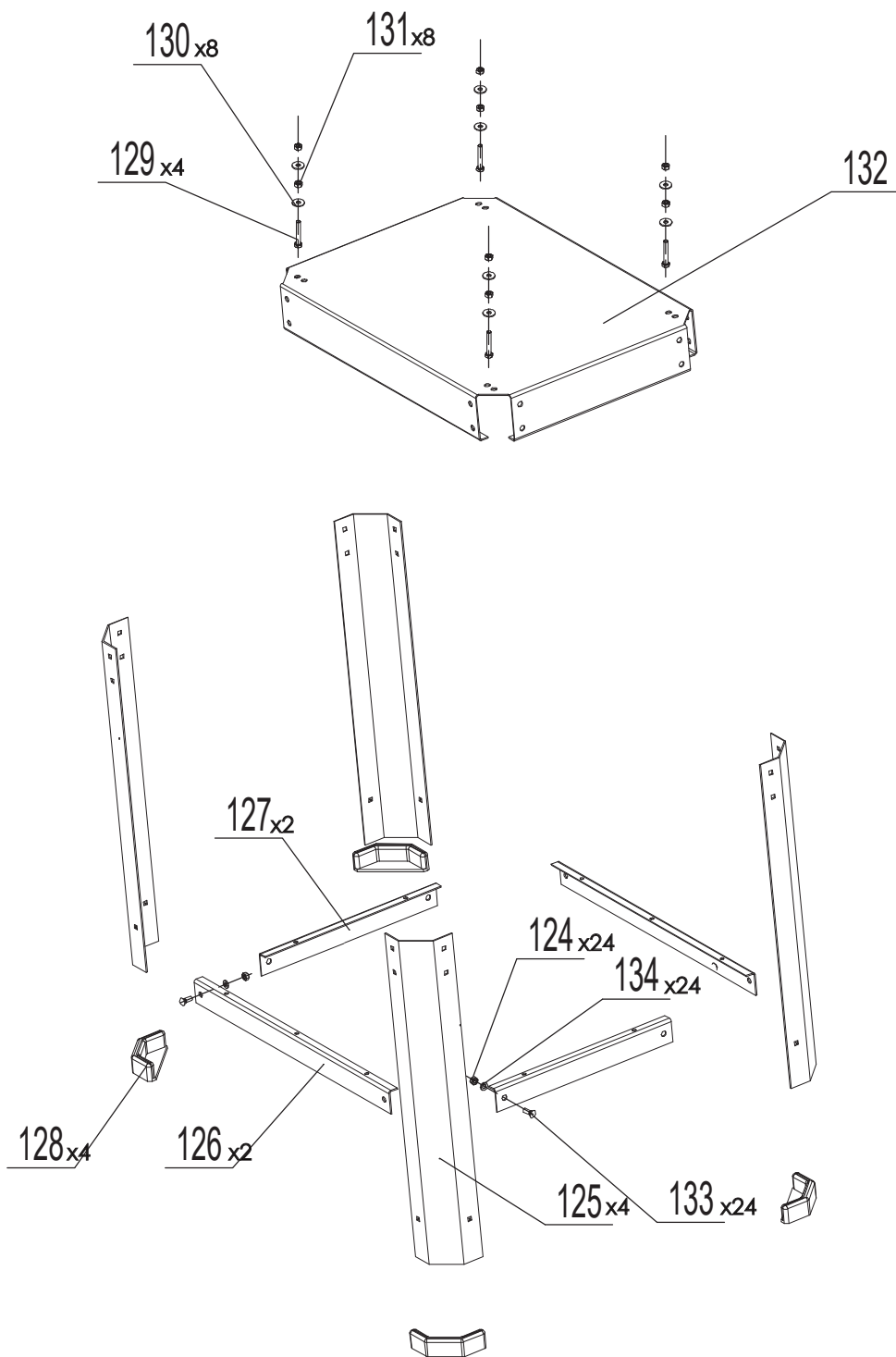
BS-14

PART #: DPEC01513

DATE: 03-07-12

REVISED: 04-27-22

28-400 14 in. STEEL FRAME BANDSAW WITH OPEN STAND



REPLACEMENT PARTS

ITEM #	DELTA PART #	DESCRIPTION	QTY	ITEM #	DELTA PART #	DESCRIPTION	QTY
1	DPEC001385	Top Plug	1	61	DPEC001445	Upper Table Trunion	1
2	DPEC001386	Frame	1	62	DPEC001446	Glide Piece	1
3	DPEC001387	Rivet 4X8	4	63	DPEC001447	Lower Table Trunion	1
4	DPEC001388	Leaf Spring	2	64	DPEC001448	M8 Flange Nut	4
5	DPEC001389	Upper Door	1	65	DPEC001449	M8 X 20 Carriage Bolt	4
6	DPEC001390	Switch	1	66	DPEC001450	Tilt Scale	1
7	DPEC001391	Switch Cover Plate	1	67	DPEC001451	Tapping Screw ST3.5X9.5	1
8	DPEC001392	Brush	1	68	DPEC001452	Indicator	1
9	DPEC001393	M8 X 100 Carriage Bolt	1	69	DPEC001453	M8 X 35 Hex Bolt	1
10	DPEC001394	M8 Flange Nut	1	70	DPEC001454	M8 Hex Nut	1
11	DPEC001395	Tube	1	71	DPEC001455	M8 X 20 Hex Bolt	4
12	DPEC001396	Lower Door	1	72	DPEC001456	M8 Spring Washer	4
13	DPEC001397	Dust Port	1	73	DPEC001457	M8 Washer	4
14	DPEC001398	M5 X 20 Hex Socket Set Screw	3	74A	DPEC007216	M8 X 16 Hex Socket Screw	2
15	DPEC001399	Bearing 80	3	75A	DPEC007217	M8 Washer	2
16	DPEC001400	M6 Washer	4	76	DPEC001460	Table	1
17	DPEC001401	Micro-Adjusting Knob	3	77A	DPEC007218	Plate	1
18	DPEC001402	Bearing Mount Cylinder	3	78	DPEC001462	Table Insert	1
19	DPEC001403	Upper Guider Body	1	79	DPEC001463	M8 X 50 Carriage Bolt	1
20	DPEC001404	Lower Guider Shaft	1	80	DPEC001464	Sliding Block	1
21	DPEC001405	M6 X 10 Hex Socket Screw	3	81	DPEC001465	Wing Nut	1
22	DPEC001407	M6 X 20 Hex Bolt	1	82	DPEC001466	Tension Nut	1
23	DPEC001408	Lower Guide Mount Seat	1	83	DPEC001467	Circlip Ring	2
24	DPEC001406	Lower Guide Mount	1	84	DPEC001468	Mount Shaft	1
25	DPEC001409	M6 Lock Nut	5	85	DPEC001469	M16 Hex Nut	1
26	DPEC001410	M6 X 25 Hex Socket Set Screw	2	86	DPEC001470	M17 Circlip Spring Ring	1
27	DPEC001411	Adjusting Knob Body	2	87	DPEC001471	M16 Spring Washer	1
28	DPEC001412	Lock Housing	4	88	DPEC001472	Upper Bearing Bolt	1
29	DPEC001413	M6 X 30 Hex Socket Set Screw	2	89	DPEC001473	Wheel Carrier Bracket	1
30	DPEC001414	M4 X 15 Screw	4	90	DPEC001474	M8 Hex Bolt	1
31	DPEC001415	Bearing Sleeve	2	91	DPEC001475	Wing Nut	1
32	DPEC001416	Saw Blade	1	92	DPEC001476	M8 Washer	1
33	DPEC001417	Upper Wheel	1	93	DPEC001477	M8 Nut	1
34	DPEC001418	Returning Ring 40	4	94	DPEC001478	Adjusting Knob Cap	1
35	DPEC001419	Ball Bearing 80	4	95	DPEC001479	Adjusting Knob Body	1
36	DPEC001420	Tire	2	96	DPEC001480	Tension Bracket	1
37	DPEC001421	Lower Wheel	1	97	DPEC001481	U-Shape Bracket	1
38	DPEC001422	Drive Belt	1	98	DPEC001482	Blade Tension Knob	1
39	DPEC001423	Tension Wheel	1	99	DPEC001483	M8 Washer	1
40	DPEC001424	6001ZZ Bearing	2	100	DPEC001484	Blade Tensioner	1
41	DPEC001425	Retaining Ring 28	2	101	DPEC001485	Slider	1
42	DPEC001426	Retaining Ring 12	1	102	DPEC001486	Bolt Guide	2
43	DPEC001427	Tension Shaft	1	103	DPEC001487	Rear Micro-Adjusting Shaft	1
44	DPEC001428	Belt Tension Crank Arm	1	104	DPEC001488	M6 Washer	3
45	DPEC001429	M6 Hex Nut	2	105	DPEC001489	Bearing Mount Cylinder	3
46	DPEC001430	M6 X 55 Pan Head Screw	1	106	DPEC001490	M5 X 20 Hex Socket Set Screw	3
47	DPEC001431	Crank Handle	1	107	DPEC001491	Front Micro-Adjusting Shaft	2
48	DPEC001432	Lock Ring	1	108	DPEC001492	Bearing 80	3
49	DPEC001433	M5 X 8 Cone Point Screw	1	109	DPEC001493	Upper Guide Body	1
50	DPEC001434	M10 Washer	3	110	DPEC001494	Upper Guide Mount	1
51	DPEC001435	Motor Pulley	1	111	DPEC001495	M8 X 20 Carriage Bolt	2
52	DPEC001436	M6 X 10 Hex Socket Hex Screw	1	112	DPEC001498	M8 Washer	2
53	DPEC001437	Motor	1	113	DPEC001499	M8 Lock Nut	1
54	DPEC001438	M6 X 16 Hex Bolt	4	114	DPEC001500	Special Washer	1
55	DPEC001439	M6 Spring Washer	4	115	DPEC001496	Upper Guide Shaft	1
56	DPEC001440	Retaining Ring 17	2	116	DPEC001497	M6 X 10 Hex Socket Set Screw	3
57	DPEC001442	M6 X 20 Hex Bolt	4	117	DPEC001501	M6 X 16 Hex Bolt	4
58	DPEC001441	Hex Thin Nut	1	118	DPEC001502	M6 Nut	4
59	DPEC001443	M6 Nut	4	119	DPEC001503	Wing Knob	1
60	DPEC001444	Lower Wheel Shaft	1	120	DPEC001504	Long Washer	1

*** = Item is standard hardware and can be purchased in local hardware or home improvement stores.

REPLACEMENT PARTS

ITEM #	DELTA PART #	DESCRIPTION	QTY	ITEM #	DELTA PART #	DESCRIPTION	QTY
121	DPEC001505	Tapping Screw ST4.8X22	2				
122	DPEC001506	Plate	1				
123	DPEC001507	Blade Guide	1				
124	DPEC001508	Hex Nut	24				
125	DPEC001509	Leg	4				
126	DPEC001510	Front Beam	2				
127	DPEC001511	Side Beam	2				
128	DPEC001512	Rubber Shoe	4				
129	DPEC002233	Hex Bolt	4				
130	DPEC002234	Washer	8				
131	DPEC002235	Nut	8				
132	DPEC002236	Upper Frame	1				
133	DPEC002237	M6 X 16 Carriage Bolt	24				
134	DPEC002238	M6 Washer	24				
135	DPEC002239	Upper Wheel Assembly	1				
136	DPEC002240	Lower Wheel Assembly	1				
137	DPEC002241	Motor Pully Assembly	1				
138	DPEC004318	Switch Key	1				
139	DPEC007219	Tapping Screw	2				
140	DPEC007220	Dust Port Grille	1				
141	DPEC007221	Plug Cables	1				

*** = Item is standard hardware and can be purchased in local hardware or home improvement stores.