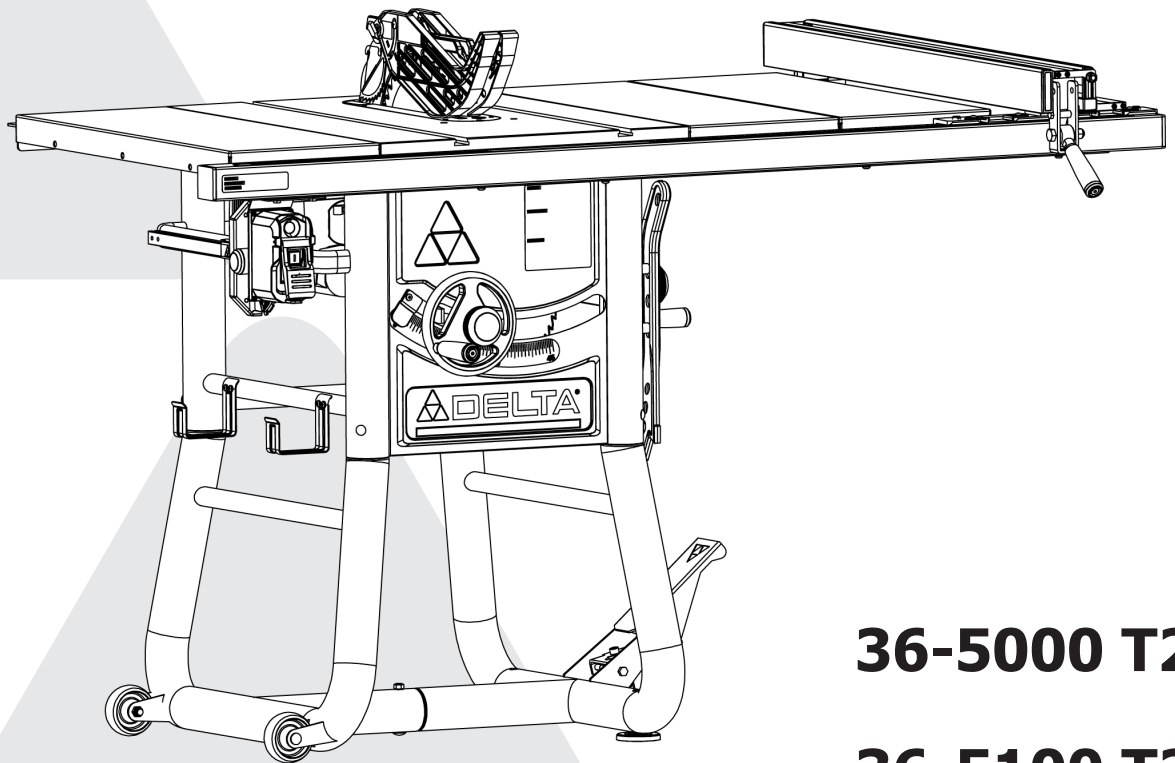


DELTA[®]

10-INCH CONTRACTOR TABLE SAW



36-5000 T2

36-5100 T2

36-5052 T2

36-5152 T2

www.DeltaMachinery.com

Instruction Manual

⚠ WARNING: To reduce risk of serious injury, thoroughly read and comply with all warnings and instructions in this manual and on product.
KEEP THIS MANUAL NEAR YOUR SAW FOR EASY REFERENCE AND TO INSTRUCT OTHERS

TABLE OF CONTENTS

IMPORTANT SAFETY INSTRUCTIONS.....	3	OPERATION.....	22
SAFETY LOGOS	3	STARTING AND STOPPING THE SAW.....	22
GENERAL POWER TOOL SAFETY RULES	4	OVERLOAD PROTECTION.....	23
TABLE SAW SAFETY RULES	5	MAKING CUTS.....	23
POWER CONNECTIONS.....	7	RIP CUTS.....	24
POWER SOURCE.....	7	BEVEL RIP CUTS.....	24
GROUNDING INSTRUCTIONS.....	7	CROSS-CUTS.....	25
EXTENSION CORDS.....	8	BEVEL CROSS-CUTS.....	25
UNPACKING.....	9	MITER CUTS.....	25
COMPONENTS AND PARTS LIST.....	9	COMPOUND MITER CUTS.....	26
HARDWARE PACKAGE	10	LARGE PANEL CUTS.....	26
ASSEMBLY.....	11	NON-THROUGH CUTS.....	26
STAND	11	NON-THROUGH CUTS.....	26
FIXED WHEELS AND STATIONARY FEET	12	USING CUTTING AIDS.....	27
FRONT AND REAR RAILS.....	12	PUSH STICKS.....	27
EXTENSION WINGS.....	13	AUXILIARY RIP FENCE FACING.....	28
WOOD EXTENSION TABLE.....	13	AUXILIARY MITER GAGE FACING.....	28
FENCE GUIDE AND POWER CONTROL BOX.....	14	PUSH BLOCKS.....	28
THROAT PLATE.....	15	FEATHERBOARDS.....	29
BLADE AND RIVING KNIFE	15	CUTOFF GAUGE.....	29
ANTI-KICKBACK PAWLS.....	15	JIGS.....	29
BLADE GUARD.....	16	ALIGNMENT.....	30
RIP FENCE	16	RIVING KNIFE ALIGNMENT WITH THE BLADE.....	30
MITER GAUGE.....	16	ADJUSTING THE MITER STOPS.....	30
ON-BOARD STORAGE	16	ALIGNING FENCE PARALLEL TO MITER SLOT.....	31
ADJUSTING THE 90° AND 45° POSITIVE BEVEL STOPS....	17	ALIGNING FENCE PERPENDICULAR TO THE TABLE.....	31
SECURING SAW TO FLOOR.....	17	MAINTENANCE.....	32
PREPARING TO CUT	17	TROUBLESHOOTING.....	32
RAISING AND LOWERING THE BLADE.....	18	ACCESSORIES.....	33
TILTING THE BLADE.....	18	WARRANTY.....	33
SELECTING AND STORING SAW BLADES.....	19	PARTS, SERVICES AND WARRANTY ASSISTANCE.....	33
CHANGING THE SAW BLADE.....	19	REPLACEMENT PARTS.....	33
RIVING KNIFE POSITION.....	19	FRENCH.....	34
HEIGHT SETTINGS.....	20	SPANISH.....	65
CHECKING RIVING KNIFE ALIGNMENT.....	20		
USING THE MITER GAUGE.....	21		
USING BLADE GUARD ASSEMBLY.....	21		
CHECKING FENCE ALIGNMENT.....	21		

FUNCTIONAL DESCRIPTION

The DELTA® #36-5000 T2 series 10-inch Contractor Table Saw is designed for portability and high quality performance. It includes: basic machine, sturdy tubular steel stand, integral dust chute, a T-Square® fence system, t-slot miter gage, 15-amp induction motor, on/off switch, cast iron table, extension wings, see through blade guard with anti-kickback fingers, and 10-inch carbide blade.

SPECIFICATIONS

Max depth of cut at 90 degrees:	3-1/8"
Max depth of cut at 45 degrees:	2-1/4"
Max rip to right of blade:	30" or 52"
Max rip to left of blade:	15
Max width of dado:	13/16"
MOTOR SPECIFICATIONS:	
Amps	15
Voltage	120

NOTICE: The manual cover illustrates the current production model. All other illustrations contained in the manual are representative only and may not be exact depictions of the actual labeling or accessories included. They are intended for illustrative purposes only.

IMPORTANT SAFETY INSTRUCTIONS

⚠ WARNING: CAREFULLY READ AND FOLLOW ALL WARNINGS AND INSTRUCTIONS ON YOUR PRODUCT AND IN THIS MANUAL. SAVE THIS MANUAL. MAKE SURE ALL USERS ARE FAMILIAR WITH IT'S WARNING AND INSTRUCTIONS WHEN USING THE TOOL. Improper operation, maintenance or modification of tools or equipment could result in serious injury and/or property damage.

If you have any questions or concerns relative to the use of your tool or the contents of this manual, stop using the tool and contact DELTA® Power Equipment Corporation Customer Care at 1-800-223-7278.

SAFETY LOGOS

This manual contains information that is important for you to know and understand. This information relates to protecting YOUR SAFETY and PREVENTING EQUIPMENT PROBLEMS. To help you recognize this information, we use the symbols below. Please read the manual and pay attention to these sections.

⚠ DANGER: Indicates an imminently hazardous situation which, if not avoided, will result in death or serious injury.







⚠ WARNING: Indicates a potentially hazardous situation which, if not avoided, could result in death or serious injury.

⚠ CAUTION: Indicates a potentially hazardous situation which, if not avoided, may result in minor or moderate injury.

CAUTION: Used without the safety alert symbol indicates potentially hazardous situation which, if not avoided, may result in property damage.

Additional information regarding the safe and proper operation of this tool is available from the following sources:

- Power Tool Institute, 1300 Sumner Avenue, Cleveland, OH 44115-2851 or on-line at www.powertoolinstitute.com
- National Safety Council, 1121 Spring Lake Drive, Itasca, IL 60143-3201
- American National Standards Institute, 25 West 43rd Street, 4 floor, New York, NY 10036 www.ansi.org - ANSI 01.1 Safety Requirements for Woodworking Machines
- U.S. Department of Labor regulations www.osha.gov

Some of the following symbols may be used on this tool. Please study them and learn their meaning. Proper interpretation of these symbols will allow you to operate the tool better and safer.		
SYMBOL	NAME	DESIGNATION/EXPLANATION
	Safety Alert	Indicates a potential personal injury hazard.
	Read Operator's Manual	To reduce the risk of injury, user must read and understand operator's manual before using this product.
	Eye Protection	Always wear eye protection with side shields marked to comply with ANSI Z87.1.
	No Hands Symbol	Failure to keep your hands away from the blade will result in serious personal injury.
	Wet Conditions Alert	Do not expose to rain or use in damp locations.
	Pinch Warning	Always watch for movement paying extra attention to potential areas where pinching could occur.
V	Volts	Voltage
A	Amperes	Current
Hz	Hertz	Frequency (cycles per second)
min	Minutes	Time
~	Alternating Current	Type of current
n_0	No Load Speed	Rotational speed, at no load
.../min	Per Minute	Revolutions, strokes, surface speed, orbits, etc., per minute
A.C	Alternating Current	Type of current
Kg	Kilograms	Unit of weight
RPM	Revolutions Per Minute	Speed of rotation of machine
PH:1	Phase 1	This is a 1 phase motor

GENERAL POWER TOOL SAFETY WARNINGS

▲ WARNING: Read all safety warnings, instructions, illustrations and specifications provided with this power tool. Failure to follow all instructions listed below may result in electric shock, fire and/or serious injury.


Save all warnings and instructions for future reference.

The term "power tool" in the warnings refers to your mains-operated (corded) power tool or BATTERY-operated (cordless) power tool.

1. Work area safety

- a. **Keep work area clean and well lit.** Cluttered or dark areas invite accidents.
- b. **Do not operate power tools in explosive atmospheres, such as in the presence of flammable liquids, gases or dust.** Power tools create sparks which may ignite the dust or fumes.
- c. **Keep children and bystanders away while operating a power tool.** Distractions can cause you to lose control.

2. Electrical safety

- a. **Power tool plugs must match the outlet. Never modify the plug in any way. Do not use any adapter with earthed (grounded) power tools.** Unmodified plugs and matching outlets will reduce risk of electric shock.
- b. **Avoid body contact with earthed or grounded surfaces, such as pipes, radiators, ranges and refrigerators.** There is an increased risk of electric shock if your body is earthed or grounded.
-  c. **Do not expose power tools to rain or wet conditions.** Water entering a power tool will increase the risk of electric shock.
- d. **Do not abuse the cord. Never use the cord for carrying, pulling or unplugging the power tool. Keep cord away from heat oil, sharp edges or moving parts.** Damaged or entangled cords increase the risk of electric shock.
- e. **When operating a power tool outdoors, use an extension cord suitable for outdoor use.** Use of a cord suitable for outdoor use reduces the risk of electric shock.
- f. **If operating a power tool in a damp location is unavoidable, use a ground fault circuit interrupter (GFCI) protected supply.** Use of an GFCI reduces the risk of electric shock.

3. Personal safety

- a. **Stay alert, watch what you are doing and use common sense when operating a power tool. Do not use a power tool while you are tired or under the influence of drugs, alcohol or medication.** A moment of inattention while operating power tools may result in serious personal injury.
- b. **Use personal protective equipment. Always wear eye protection.** Protective equipment such as dust mask, non-skid safety shoes, hard hat, or hearing protection and dust protection used for appropriate conditions will reduce personal injuries. Gloves are recommended when changing blades.
- c. **Prevent unintentional starting. Ensure the switch is in the off-position before connection to power source, picking up, or carrying the tool.** Carrying power tools with your finger on the switch or energising power tools that have the switch on invites accidents.
- d. **Remove any adjusting key or wrench before turning the power tool on.** A wrench or a key left attached to a rotating part of the power tool may result in personal injury.
- e. **Do not overreach. Keep proper footing and balance at all times.** This enables better control of the power tool in unexpected situations
- f. **Dress properly. Do not wear loose clothing or jewelry. Keep your hair, clothing and gloves away from moving parts.** Loose clothes, jewellery or long hair can be caught in moving parts.
- g. **If devices are provided for the connection of dust extraction and collection facilities, ensure these are connected and properly used.** Use of dust collection can reduce dust-related hazards.
- h. **Do not let familiarity gained from frequent use of tools allow you to become complacent and ignore tool safety principles.** A careless action can cause severe injury within a fraction of a second.

4. Power tool use and care

- a. **Do not force the power tool. Use the correct power tool for you application.** The correct power tool will do the job better and safer at the rate for which it was designed.
- b. **Do not use the power tool if the switch does not turn it on and off.** Any power tool that cannot be controlled with the switch is dangerous and must be repaired.
- c. **Disconnect the plug from the power source before making any adjustments, changing accessories, or storing power tools.** Such preventive safety measures reduce the risk of starting the power tool accidentally.
- d. **Store idle power tools out of the reach of children and do not allow persons unfamiliar with the power tool or these instructions to operate the power tool.** Power tools are dangerous in the hands of untrained users.
- e. **Maintain power tools and accessories. Check for misalignment or binding of moving parts, breakage of parts and any other condition that may affect the power tool's operation. If damaged, have the power tool repaired before use.** Many accidents are caused by poorly maintained power tools.
- f. **Keep cutting tools sharp and clean.** Properly maintained cutting tools with sharp cutting edges are less likely to bind and are easier to control.
- g. **Use the power tool, accessories and tools bits etc. in accordance with these instructions, taking into account the working conditions and the work to be performed.** Use of the power tool for operations different from those intended could result in a hazardous situation.
- h. **Keep handles and grasping surfaces dry, clean and free from oil and grease.** Slippery handles and grasping surfaces do not allow for safe handling and control of the tool in unexpected situations.

5. Service

- a. **Have your power tool serviced by a qualified repair person using only identical replacement parts.** This will ensure that the safety of the power tool is maintained.

TABLE SAW SAFETY RULES

⚠ WARNING: Failure to follow these rules may result in serious personal injury.

- **SEE GENERAL POWER TOOL SAFETY SECTION OF THIS MANUAL.** Read entire instruction manual before operating saw. Learning the saw's proper applications, limitations, and specific potential hazards will greatly minimize the possibility of accidents and injury. Make sure all users are familiar with its warnings and instructions before using saw.
- **SEE POWER CONNECTION SECTION OF THIS MANUAL** for instructions and warnings regarding power cords and connections.

TERMINOLOGY

The following terms will be used throughout the manual and you should become familiar with them.

- Through-cut refers to any cut that completely cuts through the workpiece.
- Non-through cut refers to any cut that does not completely cut through the workpiece.
- Push stick refers to a wooden or plastic stick, usually homemade, that is used to push a small workpiece through the saw and keeps the operator's hands clear of the blade.
- Kickback occurs when the saw blade binds in the cut or between the blade and the fence and thrusts the workpiece back toward the operator, or lowering the workpiece down to the blade.
- Re-sawing – Flipping material to make a cut the saw is not capable of

making in one pass.

- Cove cutting – Also known as coving, cove cutting is an operation where the work is fed at an angle across the blade.
- Freehand refers to cutting without the use of a miter gauge or rip fence or any other means of guiding or holding the workpiece other than the operator's hand.
- Plunge cutting refers to blind cuts in the workpiece made by either raising the blade through the workpiece the workpiece.

Accessories for use with your saw are available at extra cost from your local dealer or authorized service center.

⚠ WARNING: Failure to follow these rules may result in serious personal injury.

Table Saw Specific Safety Rules

⚠ WARNING READ ALL SAFETY WARNINGS DESIGNATED BY THE SYMBOL **⚠** AND ALL INSTRUCTIONS.

1. GUARDING RELATED WARNINGS (FOR TABLE SAW, 62841-3-1)

- Keep guards in place. Guards must be in working order and be properly mounted.** A guard that is loose, damaged, or is not functioning correctly must be repaired or replaced.
- Always use saw blade guard, riving knife and anti-kickback device for every through-cutting operation.** For through-cutting operations where the saw blade cuts completely through the thickness of the workpiece, the guard and other safety devices help reduce the risk of injury.
- Immediately reattach the guarding system after completing an operation (such as rabbeting or resawing cuts) which requires removal of the guard, riving knife and/or anti-kickback device.** The guard, riving knife, and anti-kickback device help to reduce the risk of injury.
- Make sure the saw blade is not contacting the guard, riving knife or the workpiece before the switch is turned on.** Inadvertent contact of these items with the saw blade could cause a hazardous condition.
- Adjust the riving knife as described in this instruction manual.** Incorrect spacing, positioning and alignment can make the riving knife ineffective in reducing the likelihood of kickback.
- For the riving knife and anti-kickback device to work, they must be engaged in the workpiece.** The riving knife and anti-kickback device are ineffective when cutting workpieces that are too short to be engaged with the riving knife and anti-kickback device. Under these conditions a kickback cannot be prevented by the riving knife and antikickback device.
- Use the appropriate saw blade for the riving knife.** For the riving knife to function properly, the saw blade diameter must match the appropriate riving knife and the body of the saw blade must be thinner than the thickness of the riving knife and the cutting width of the saw blade must be wider than the thickness of the riving knife.

2. CUTTING PROCEDURES WARNINGS

- DANGER: Never place your fingers or hands in the vicinity or in line with the saw blade.** A moment of inattention or a slip could direct your hand towards the saw blade and result in serious personal injury.
- ⚠ Feed the workpiece into the saw blade or cutter only against the direction of rotation.** Feeding the workpiece in the same direction that the saw blade is rotating above the table may result in the workpiece, and your hand, being pulled into the saw blade.
- Never use the mitre gauge to feed the workpiece when ripping and do not use the rip fence as a length stop when cross cutting with the mitre gauge.** Guiding the workpiece with the rip fence and the mitre gauge at the same time increases the likelihood of saw blade binding and kickback.
- When ripping, always apply the workpiece feeding force between the fence and the saw blade.** Use a push stick when the distance between the fence and the saw blade is less than 150 mm, and use a push block when this distance is less than 50 mm. "Work helping" devices will keep your hand at a safe distance from the saw blade.
- Use only the push stick provided by the manufacturer or constructed in accordance with the instructions.** This push stick provides sufficient distance of the hand from the saw blade.
- Never use a damaged or cut push stick.** A damaged push stick may break causing your hand to slip into the saw blade.
- Do not perform any operation "freehand".** Always use either the rip fence or the mitre gauge to position and guide the workpiece. "Freehand" means using your hands to support or guide the workpiece, in lieu of a rip fence or mitre gauge. Freehand sawing leads to misalignment, binding and kickback.
- Never reach around or over a rotating saw blade.** Reaching for a workpiece may lead to accidental contact with the moving saw blade.
- Provide auxiliary workpiece support to the rear and/or sides of the saw table for long and/or wide workpieces to keep them level.** A long and/or wide workpiece has a tendency to pivot on the table's edge, causing loss of control, saw blade binding and kickback.

TABLE SAW SAFETY RULES

- j. **Feed workpiece at an even pace. Do not bend or twist the workpiece.** If jamming occurs, turn the tool off immediately, unplug the tool then clear the jam. Jamming the saw blade by the workpiece can cause kickback or stall the motor.
- k. **Do not remove pieces of cut-off material while the saw is running.** The material may become trapped between the fence or inside the saw blade guard and the saw blade pulling your fingers into the saw blade. Turn the saw off and wait until the saw blade stops before removing material.
- l. **Use an auxiliary fence in contact with the table top when ripping workpieces less than 2 mm thick.** A thin workpiece may wedge under the rip fence and create a kickback.
- m. **Never Cut Metals, Cement Board or Masonry.** Certain man-made materials have special instructions for cutting on table saws. Follow the manufacturer's recommendations at all times to avoid overheating the saw blade tips as well as melting the plastic. Avoid overheating blade tips by pushing material through blade evenly. Forcing material too fast can cause heating and damage to blade or workpiece. If cutting plastics is permitted, to avoid melting the plastic.

3. Kickback causes and related warnings

Kickback is a sudden reaction of the workpiece due to a pinched, jammed saw blade or misaligned line of cut in the workpiece with respect to the saw blade or when a part of the workpiece binds between the saw blade and the rip fence or other fixed object.

- a. **Most frequently during kickback, the workpiece is lifted from the table by the rear portion of the saw blade and is propelled towards the operator.** Kickback is the result of saw misuse and/or incorrect operating procedures or conditions and can be avoided by taking proper precautions as given below.
- b. **Never stand directly in line with the saw blade.** Always position your body on the same side of the saw blade as the fence. Kickback may propel the workpiece at high velocity towards anyone standing in front and in line with the saw blade.
- c. **Never reach over or in back of the saw blade to pull or to support the workpiece.** Accidental contact with the saw blade may occur or kickback may drag your fingers into the saw blade.
- d. **Never hold and press the workpiece that is being cut off against the rotating saw blade.** Pressing the workpiece being cut off against the saw blade will create a binding condition and kickback.
- e. **Align the fence to be parallel with the saw blade.** A misaligned fence will pinch the workpiece against the saw blade and create kickback.
- f. **Use a featherboard to guide the workpiece against the table and fence when making non-through cuts such as rabbeting, or resawing cuts.** A featherboard helps to control the workpiece in the event of a kickback.
- g. **Use extra caution when making a cut into blind areas of assembled workpieces.** The protruding saw blade may cut objects that can cause kickback.
- h. **Support large panels to minimise the risk of saw blade pinching and kickback.** Large panels tend to sag under their own weight. Support(s) must be placed under all portions of the panel overhanging the table top.
- i. **Use extra caution when cutting a workpiece that is twisted, knotted, warped or does not have a straight edge to guide it with a mitre gauge or along the fence.** A warped, knotted, or twisted workpiece is unstable and causes misalignment of the kerf with the saw blade, binding and kickback.
- j. **Never cut more than one workpiece, stacked vertically or horizontally.** The saw blade could pick up one or more pieces and cause kickback.
- k. **When restarting the saw with the saw blade in the workpiece, centre the saw blade in the kerf so that the saw teeth are not engaged in the material.** If the saw blade binds, it may lift up the workpiece and cause kickback when the saw is restarted.
- l. **Keep saw blades clean, sharp, and with sufficient set.** Never use warped saw blades or saw blades with cracked or broken teeth. Sharp and properly set saw blades minimize binding, stalling and kickback.

4. Table saw operating procedure warnings

- a. **Turn off the table saw and disconnect the power cord when removing the table insert, changing the saw blade or making adjustments to the riving knife, ant kickback device or saw blade guard, and when the machine is left unattended.** Precautionary measures will avoid accidents.
- b. **Never leave the table saw running unattended.** Turn it off and don't leave the tool until it comes to a complete stop. An unattended running saw is an uncontrolled hazard.
- c. **Locate the table saw in a well-lit and level area where you can maintain good footing and balance.** It should be installed in an area that provides enough room to easily handle the size of your workpiece. Cramped, dark areas, and uneven slippery floors invite accidents.
- d. **Frequently clean and remove sawdust from under the saw table and/or the dust collection device.** Accumulated sawdust is combustible and may self-ignite.
- e. **The table saw must be secured.** A table saw that is not properly secured may move or tip over.
- f. **Remove tools, wood scraps, etc. from the table before the table saw is turned on.** Distraction or a potential jam can be dangerous.
- g. **Always use saw blades with correct size and shape (diamond versus round) of arbor holes.** Saw blades that do not match the mounting hardware of the saw will run off-center, causing loss of control.
- h. **Never use damaged or incorrect saw blade mounting means such as flanges, saw blade washers, bolts or nuts.** These mounting means were specially designed for your saw, for safe operation and optimum performance.
- i. **Never stand on the table saw, do not use it as a stepping stool.** Serious injury could occur if the tool is tipped or if the cutting tool is accidentally contacted.
- j. **Make sure that the saw blade is installed to rotate in the proper direction.** Do not use grinding wheels, wire brushes, or abrasive wheels on a table saw. Improper saw blade installation or use of accessories not recommended may cause serious injury.
- k. **DO NOT REMOVE A WORKPIECE** without first turning off the saw and unplugging it from the power source.

PROPOSITION 65 WARNING:

▲ WARNING: Some dust created by power sanding, sawing, grinding, drilling, and other construction activities contains chemicals known to the state of California to cause cancer, birth defects or other reproductive harm. Some examples of these chemicals are:

- Lead from lead-based paints
- Crystalline silica from bricks and cement and other masonry products
- Arsenic and chromium from chemically-treated lumber

Your risk from these exposures varies, depending on how often you do this type of work. To reduce your exposure to these chemicals: work in a well-ventilated area and work with approved safety equipment, such as dust masks that are specifically designed to filter out microscopic particles.

SAVE THESE INSTRUCTIONS.

Refer to them often and use them to instruct others.

If tool is loaned to someone, also loan them these instructions.

POWER CONNECTIONS

POWER SOURCE

This saw is equipped with a 15-amp motor for use with a 120-volt, 60-HZ alternating current.

For voltage, the wiring in a shop is as important as the motor's rating. A line intended only for lights may not be able to properly carry the current needed for a power tool motor; wire that is heavy enough for a short distance may be too light for a greater distance; and a line that can support one power tool may not be able to support two or three.

A separate electrical circuit should be used for your machines. This circuit should not be less than #12 wire and should be protected with a 20-amp time lag fuse. If an extension cord is used, use only 3-wire extension cords which have 3-prong grounding-type plugs and matching receptacle which will accept the machine's plug. Before connecting the machine to the power line, make sure the switch (s) is in the "OFF" position and be sure that the electric current is of the same characteristics as indicated on the machine. A substantial voltage drop will cause a loss of power and overheat the motor. It may also damage the machine. This power tool is provided with Type Y attachment power supply cord. If the replacement of the SUPPLY CORD is necessary, this has to be done by the manufacturer or his agent in order to avoid a safety hazard.

▲ DANGER: DO NOT EXPOSE THE MACHINE TO RAIN OR OPERATE THE MACHINE IN DAMP LOCATIONS.

GROUNDING INSTRUCTIONS

▲ DANGER: THIS MACHINE MUST BE GROUNDED WHILE IN USE TO PROTECT THE OPERATOR FROM ELECTRIC SHOCK.

In the event of a malfunction or breakdown, grounding provides a path of least resistance for electric current to reduce the risk of electric shock. This machine is equipped with an electric cord having a grounding conductor and a grounding plug. The plug must be plugged into a matching receptacle that is properly installed and grounded in accordance with all local codes and ordinances.

Do not modify the plug as provided on your saw or as rewired by your electrician. If it will not fit the receptacle, have the proper receptacle installed by a qualified electrician.

Improper connection of the equipment grounding conductor can result in risk of electric shock. The conductor with insulation having an outer surface that is green with or without yellow stripes is the grounding conductor. If repair or replacement of the electric cord or plug is necessary, do not connect the equipment grounding conductor to a live terminal.

POWER CONNECTIONS

Check with a qualified electrician or service personnel if the grounding instructions are not completely understood, or if in doubt as to whether the machine is properly grounded.

Use only 3-wire extension cords that have 3-prong grounding type plugs and matching, properly grounded 3-conductor receptacles that accept the machine's plug, as shown in Figure A, or a properly grounded receptacle with a grounding means adapter, as shown in Figure B.

Repair or replace damaged or worn cord immediately.

⚠ DANGER: IN ALL CASES, MAKE CERTAIN THE RECEPTACLE IN QUESTION IS PROPERLY GROUNDED. IF YOU ARE NOT SURE, HAVE A qualified ELECTRICIAN CHECK THE RECEPTACLE.

This is a grounded, cord-connected tool intended for use on a supply circuit having a nominal voltage of 120 volts. It is intended to be used on a circuit that has an outlet as shown in FIG. A. It has a plug as shown in FIG. A. If you have a 2 pole receptacle as shown in FIG. B you may use a temporary adapter, as shown in FIG. B. If a properly grounded outlet is not available. The green ear lug extending from the adapter must be connected to a permanent grounded outlet box. The temporary adapter should be used only until a properly grounded outlet can be installed by a qualified electrician.

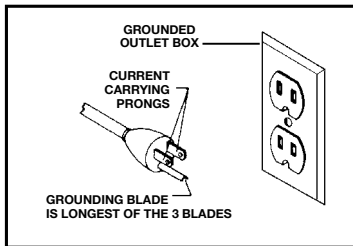


FIG. A

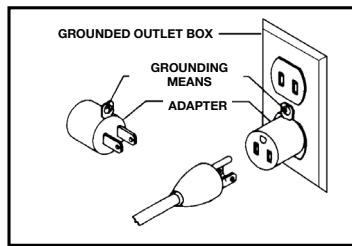


FIG. B

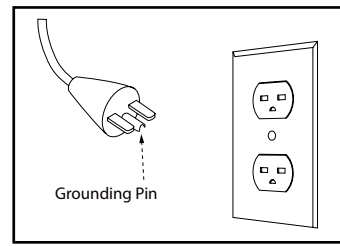


FIG. C

EXTENSION CORDS

⚠ DANGER: Never use a damaged extension cord. Check extension cords before each use. If damaged, replace immediately. Touching the damaged area could cause electrical shock resulting in serious injury.

⚠ CAUTION: Keep the extension cord clear of the work area. Position the cord so it will not get caught on lumber, tools or other obstructions.

- Use proper extension cords. Make sure your extension cord is a 3-wire extension cord which has a 3-prong grounding type plug and matching receptacle which will accept the machine's plug, as described in this manual's Grounding Instructions. When using an extension cord, be sure to use one heavy enough to carry the current of the machine. An undersized cord will cause a drop in line voltage, resulting in loss of power and overheating. The table below shows the maximum gauge to use depending on the cord length. If in doubt, use the next heavier gauge. The smaller the gauge number, the heavier the cord. Only round, jacketed cords listed by Underwriter's Laboratories (UL) should be used.

MINIMUM GAUGE EXTENSION CORD RECOMMENDED SIZES FOR USE WITH STATIONARY ELECTRIC MACHINES			
Ampere Rating	Volts	Total Length of Cord in Feet	Gauge of Extension Cord
0-6	240	up to 50	18 AWG
0-6	240	50-100	16 AWG
0-6	240	100-200	16 AWG
0-6	240	200-300	14 AWG
6-10	240	up to 50	18 AWG
6-10	240	50-100	16 AWG
6-10	240	100-200	14 AWG
6-10	240	200-300	12 AWG
10-12	240	up to 50	16 AWG
10-12	240	50-100	16 AWG
10-12	240	100-200	14 AWG
10-12	240	200-300	12 AWG
12-16	240	up to 50	14 AWG
12-16	240	50-100	12 AWG

MINIMUM GAUGE EXTENSION CORD RECOMMENDED SIZES FOR USE WITH STATIONARY ELECTRIC MACHINES			
Ampere Rating	Volts	Total Length of Cord in Feet	Gauge of Extension Cord
0-6	120	up to 25	18 AWG
0-6	120	25-50	16 AWG
0-6	120	50-100	16 AWG
0-6	120	100-150	14 AWG
6-10	120	up to 25	18 AWG
6-10	120	25-50	16 AWG
6-10	120	50-100	14 AWG
6-10	120	100-150	12 AWG
10-12	120	up to 25	16 AWG
10-12	120	25-50	16 AWG
10-12	120	50-100	14 AWG
10-12	120	100-150	12 AWG
12-16	120u	p to 25	14 AWG
12-16	120	25-50	12 AWG
12-16	120	GREATER THAN 50 FEET NOT RECOMMENDED	

UNPACKING

- The machine is heavy, two people are required to unpack and lift.
- Use a safety strap to avoid tip over when lifting machine.
- Prior to tool assembly and use, read this manual thoroughly to familiarize yourself with proper assembly, maintenance and safety procedures.

Check shipping carton and machine for damage before unpacking. Carefully remove components in top foam layer. Remove the top layer of foam then remove all components in the bottom layer of foam. Lay out all parts on a piece of cardboard or other clean, flat surface. Two or more people are needed to lift the saw out of the carton. Always check for and remove protective shipping materials around motors and moving parts. Do not discard shipping carton and packing materials until you have carefully inspected the contents, assembled the machine and are satisfied that it operates correctly.

Compare package contents to Component Parts List and Hardware Package List prior to assembly to make sure all items are present. Carefully inspect parts to make sure no damage occurred during shipping. If any parts are missing, damaged or preassembled, do not assemble. Instead, call DELTA® Customer Care at 1-800-223-7278 for assistance.

After assembly remove any protective materials and coatings from all of the parts and the table saw. The protective coatings can be removed by spraying WD-40® on them and wiping them off with a soft cloth. This may need to be redone several times before all of the protective coatings are removed completely.

After cleaning, apply a good quality paste wax to any unpainted cast iron surfaces. Make sure to buff out the wax before assembly.

COMPONENT PARTS LIST

DESCRIPTION (QTY)

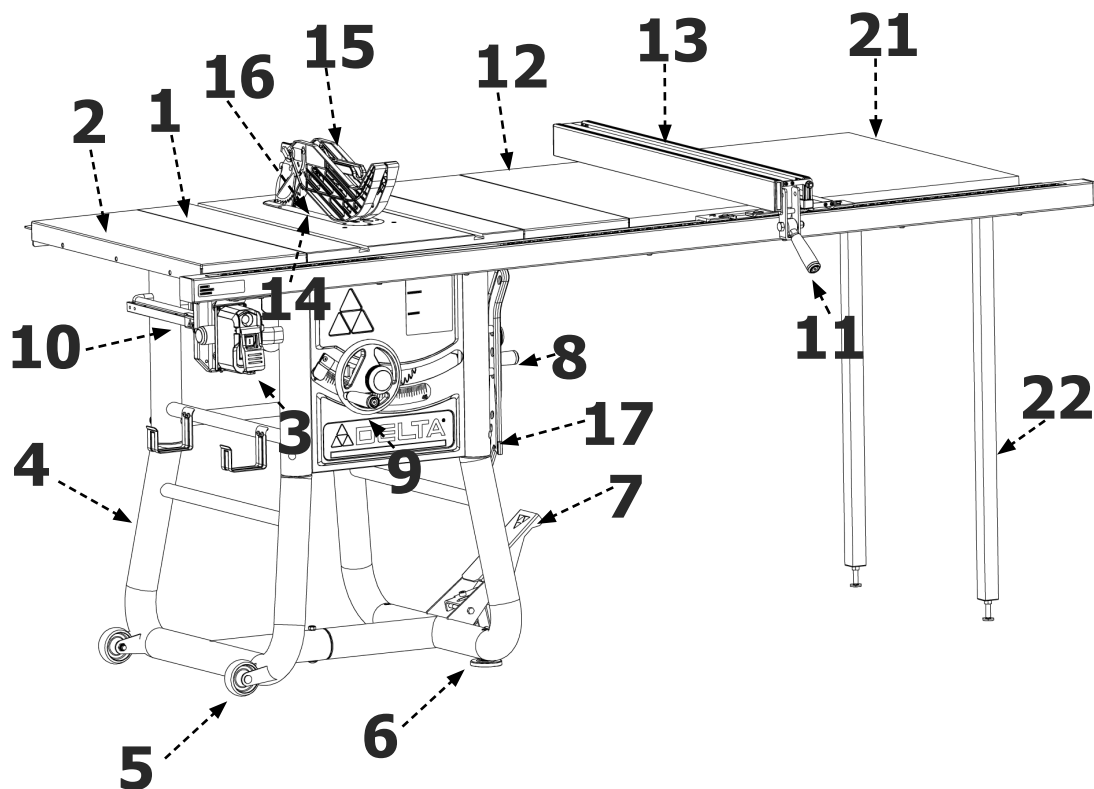
1. Table Saw with attached Carbide Blade, and Closed End Wrench (1)
2. Extension Wing
3. Switch Box (attached to saw) (1)
4. Tubular Stand (2)
5. Fixed Wheels (2)
6. Adjustable Feet (2)
7. Pivoting Pedal and Caster (attached to saw) (1)
8. Handwheel Handles (2) (attached to saw)
9. Lock Knobs (2)
10. Miter Gauge (1)
11. Rip Fence Handle (1)
12. Extension Wing (2) with 36-5000 and 5100 (1) with 36-5052 and 36-5152
13. Rip Fence (1)
14. Throat Plate (1)
15. Blade Guard and Anti-Kickback Pawls
16. Blade (1)
17. Push Stick (1)

These contents in separate carton

18. Rear Rail
19. Fence Guide
20. Front Fence Rail

These contents in separate carton for 36-5052 and 36-5152 only

21. Wood Table Extension
22. Legs



UNPACKING

HARDWARE PACKAGES

30" Fence versions (36-5000 T2 and 36-5100 T2) *

Description	Qty.	Where used	Item # Parts List
M8 x 70mm Carriage bolt	1	Connect stand halves	153
M8 nylock nut	1	Connect stand halves	155
M8 spring washer	1	Connect stand halves	154
M6 x 72 mm Carriage bolt	4	Connect stand leg to stand	144
M6 lock nut	4	Connect stand leg to stand	145
M8 x 53mm axle pin	2	Wheels	151
M8 nylock nut	2	Wheels	155
M6 x 10mm Phillips head self tapping screw	16		
5/16-18 x 7/8" Hex screw w/spring washer	17	Wings to table 6, wing to wing 3, Rear rail 8	58
1/4-20 x 1/2" Hex Soc button head screw	6	Guide tube to rail	35
5/16-18 x 1 1/8" Flat head screw	8	Front rail to table and wings 8	19
5/16-18 hex flange nut	17	Wing to wing 3, rear rail 6, Front rail 8	16
Rail alignment gauge	1		190
Conical star washer 5/16"	1	On 1 screw for the front rail going into table for electrical ground.	191
Flat star washer 5/16"	1	On 1 screw for the front rail going into table for electrical ground.	192
1/4 20x 1/2" Hex Head Cap Screw	2	Power control box assembly.	
1/4" Spring Washer	2	Power control box assembly.	

*Hardware supplied will accommodate the 36-5000 T2 model saw that uses the most hardware.

52" Fence versions (36-5052 T2 and 36-5152 T2) **

Description	Qty.	Where used	Item # Parts List
M8 x 70mm Carriage bolt	1	Connect stand halves	153
M8 nylock nut	1	Connect stand halves	155
M8 spring washer	1	Connect stand halves	154
M6 x 72 mm Carriage bolt	4	Connect stand leg to stand	144
M6 lock nut	4	Connect stand leg to stand	145
M8 x 53mm axle pin	2	Wheels	151
M8 nylock nut	2	Wheels	155
M6 x 10mm Phillips head self tapping screw	16		
Hex Head screw w/spring washer	15	Wings to table 6, rear rail 6, Wing to wood table 3	58
5/16-18 Flat washer	3	Wing to wood table	193
1/4-20 x 1/2" Hex Soc button head screw	8	Guide tube to rail	35
5/16-18 x 1 1/8" Flat head screw	6	Front rail to table and wings 6	19
5/16-18 Hex flange nut	13	Rear rail 4, Front rail 6, wing to wood Table 3	16
1/4-20 X 1 1/2" Hex Head Screw	6	Rails to wood table rear	183
1/4-20 x 1 1/12" Flat Head Screw	6	Rails to wood table front	186
1/4" Flat washer	12	Rails to wood table	184
1/4-20 hex nuts	12	Rails to wood table	185
#8 x 3/4" Phillips head self tapping screw	8	Legs to table	182
#10-32 x 1 1/4" screws	4	Legs to table	180
#10 flat washer	4	Legs to table	179
#10-32 hex nuts	4	Legs to table	181
			190
Rail alignment gauge	1	On 1 screw for the front rail going into table for electrical ground.	191
Conical star washer 5/16"	1	for electrical ground.	
Flat star washer 5/16"	1	On 1 screw for the front rail going into table for electrical ground.	192
1/4 20x 1/2" Hex Head Cap Screw	2	Power control box assembly.	
1/4" Spring Washer	2	Power control box assembly.	

** Hardware supplied will accommodate the 36-5052 T2 model saw that uses the most hardware.

ASSEMBLY

⚠ WARNING:

- Do not lift saw without help. Hold it close to your body while lifting. Keep knees bent and lift with your legs, not your back.
- Fully assemble saw with leg assembly prior to use. Leg assembly is an integral and necessary part of the support structure for this saw.
- Do not modify saw, or create accessories not recommended for use with this saw.
- Make sure power switch is in "OFF" position before connecting to power supply.
- Do not connect to power supply until assembly is complete

⚠ CAUTION: Avoid contact with blade teeth. Keep blade stored or lowered when possible.

TOOLS REQUIRED FOR ASSEMBLY (not included)

- Slotted screwdriver
- Phillips head screwdriver
- 8mm wrench
- 10mm wrench
- 12mm wrench
- 13mm wrench
- 3/8-inch wrench
- 7/16-inch wrench
- 1/2-inch wrench
- 9/16-inch wrench
- 6mm Allen hex wrench
- 5/32-inch Allen wrench
- 3/16-inch Allen wrench

STAND

1. Connect the two tube legs by inserting the end of the left leg (A) into the end of the right leg (B) as shown in Figure 1. Secure with a M8 x 70mm carriage bolt, lock washer and nylock nut and tighten.
2. Insert the four open ends of the tube legs into the leg collars (C) as shown. Secure each leg with a M6 x 72mm bolt and nut.

Note: Place the screws snug down but do not tighten

Place all of the screws through the slots and start threading into holes on mount tab on stand. Once all screws are started, tighten all four sufficiently to hold plate firmly.

Note: The un-painted region is designed for grounding, so that the machine is compliant with the current UL Standards.

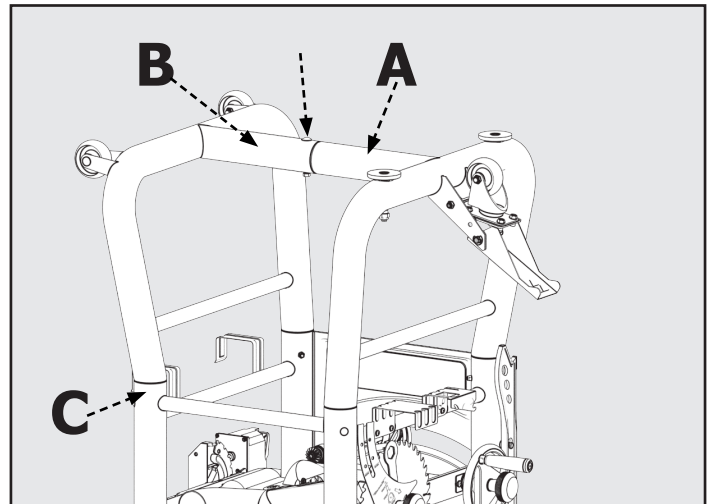


FIGURE 1

ASSEMBLY

FIXED WHEELS AND STATIONARY FEET

1. Attach the two fixed wheels (A) to the two left leg, opposite the pivot caster, using the M8 x 53mm Carriage Screw as in Figure 2.
2. Lay a scrap piece of 2x4 in back of the saw, as shown in Figure 3, to prevent damage to the dust chute when righting the saw.
3. Stand the saw right side up.

⚠ WARNING: The machine is heavy, two people are required to stand the machine up.

4. Modify the two Adjustable Feet (C) by screwing them in and out of the leg. The feet may be adjusted to level the saw and locked in place by tightening the M12 nut on the top. See Figure 2.

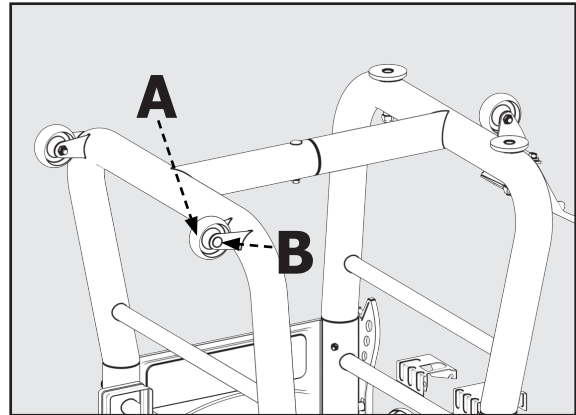


FIGURE 2

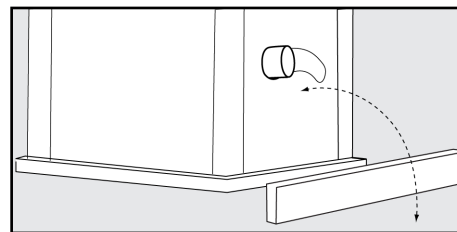


FIGURE 3

FRONT AND REAR RAILS

1. Attach the front rail (1) to the table front using two (5/16-18 x 1 1/8") flat head screws and two (5/16-18) hex flange nuts. (Fig. 4a) One (5/16") conical grounding washer should be installed directly in front of one of the screw heads. (Fig. 4b)
2. Attach the rear rail (2) to the table back using two (5/16-18 x 7/8") flat head screws w/ spring washer and two (5/16-18) hex flange nuts. (Fig. 6) One (5/16") flat star grounding washer should be installed directly in front of one of the screw heads. (Fig. 6a)

Note: use the two aligning holes which are spaced 16" apart to align the front and rear rails to the table aligning holes which are also spaced 16" apart.

3. Use supplied rail alignment gauge to ensure the rail is the proper distance from the top of the table at each side of the cast iron table. (Fig. 5)

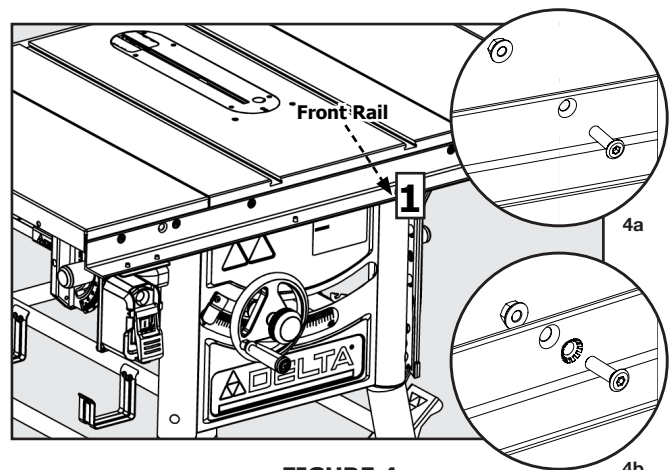


FIGURE 4

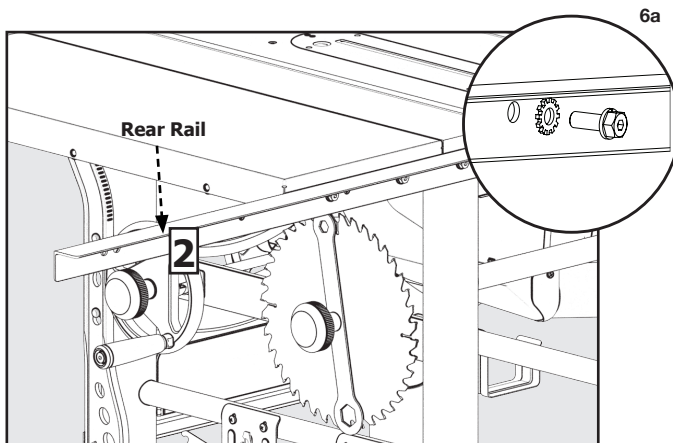


FIGURE 6

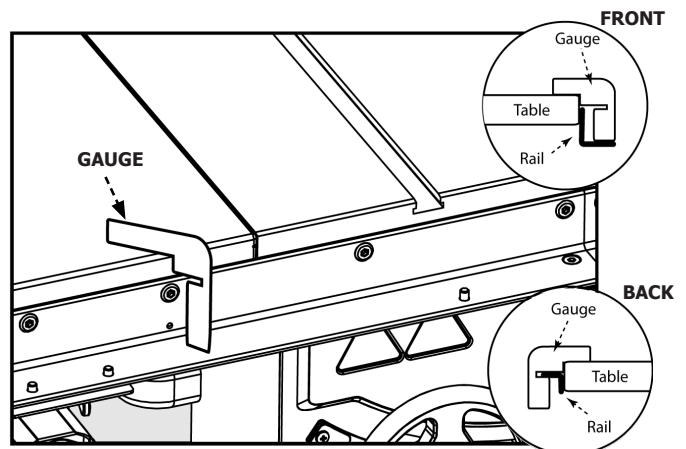


FIGURE 5

ASSEMBLY

EXTENSION WINGS

For Models with Three Extension Wings

1. Next attach the left side extension wing (3) to the front and rear rails using four (5/16-18 x 1 1/8") flat head screws, (5/16") lock washers, and (5/16-18) hex flange nuts. See Figure (9a)
2. Attach the left side extension wing (3) to the side of the saw table using three (5/16-18 x 7/8") hex head screws w/ spring washers. See Figure (9b)
3. Lay the two remaining wings upside down on the saw table. Place the two wings adjacent to each other, so the holes patterns match. Fasten the two wings together using three (5/16-18 x 7/8") hex head screws w/ spring washers and (5/16-18) hex flange nuts.
4. Turn the two wings fastened together over and fasten them to side of the saw table using three (5/16-18 x 7/8") hex head screws w/ spring washers. See Figure (8)

Note: Use a ruler to make sure the top edges of the wings are flush with the top of the tabletop. See Figure (7)

Note: There are two set screws for the cast iron extension wing. The set screws are used to adjust the level. See Figure (8)

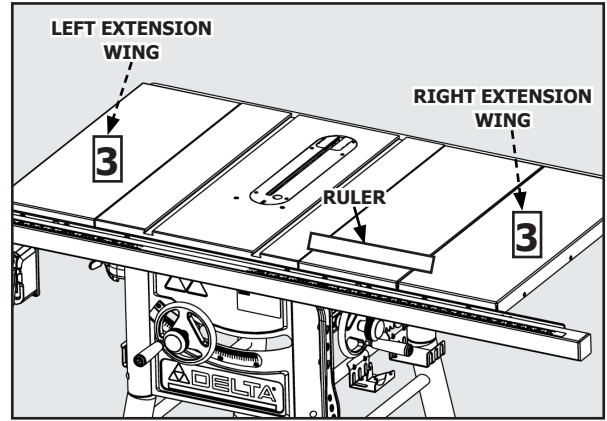


FIGURE 7

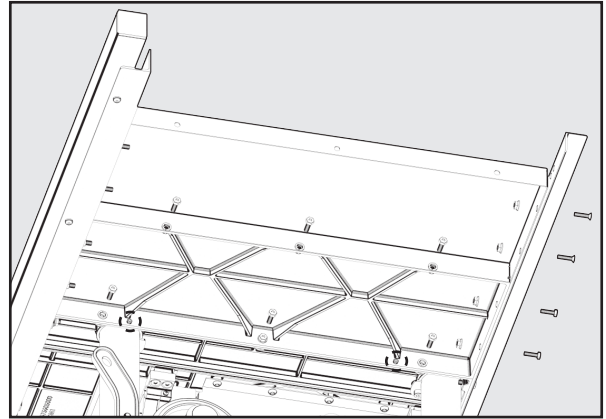


FIGURE 8

EXTENSION WINGS

For Models with Two Extension Wings and a Wood Extension Table

1. Attach the extension wings (3), to the Front and Rear rails using four (5/16-18 x 1 1/8") flat head screws, (5/16") lock washers, and (5/16-18) hex flange nuts. See Figure (9)
2. Attach the extension wings (3) to the table using three (5/16-18 x 7/8") hex head screws w/ spring washers for each wing. See Figure (9)

Note: Use a ruler to make sure the top edges of the wings are flush with the top of the tabletop. See Figure (9)

Note: There are two set screws for the cast iron extension wing. The set screws are used to adjust the level. See Figure (8)

3. Proceed to rail assembly.

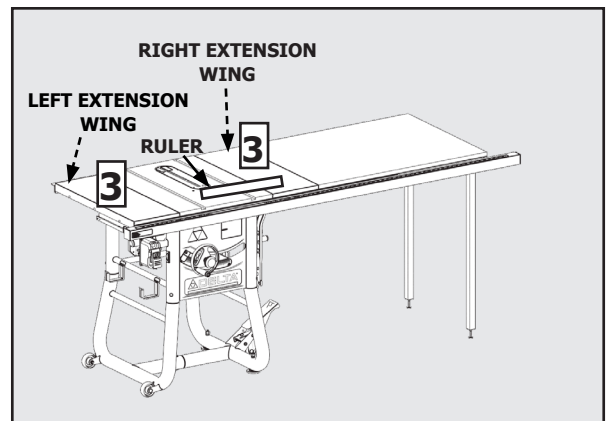


FIGURE 9

WOOD EXTENSION TABLE

52" rip capacity models only

1. Lay the wood table (A) upside down on floor or bench.
2. Position legs (B) in corner as shown (Fig. 10) the vertical wall of the angle plate on the leg should be against the end wood wall (C) of the table.
3. Fasten the legs to the table board with eight #8 x 3/4" self-tapping screws (D).

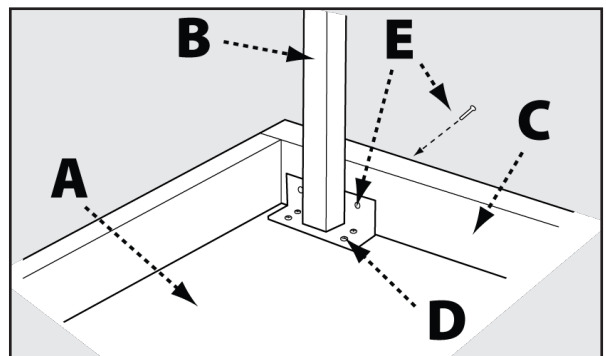


FIGURE 10

ASSEMBLY

4. Feed the #10-32 X 1 1/4" screws with #10 flat washers (E) through the drilled holes from the outside, then assemble the nuts onto the screws and tighten.
5. Loosely assemble three 5/16-18 x 7/8" screws with spring washers, flat washers and nuts (F) into the three holes into the side of the extension wing as shown. (Fig. 11)
6. Carefully lower the slotted steel angle table bracket (G) down onto the screws on the extension wing. Tighten the screws after the wood table is leveled with the extension wing.
7. Using the rail alignment gauge (H) adjust the feet in the legs (I) so the top of the table is at the proper distance from the rail.
8. Drill 1/4 inch holes through the rail holes (J) into the wood table on the front and back rails. (Fig. 12)
9. Fasten wood table to rails with 1/4-20 X 1 1/2" hex head screws for rear rail and 1/4-20 X 1 1/2" flat head screws for front rail, flat washers, and nuts.

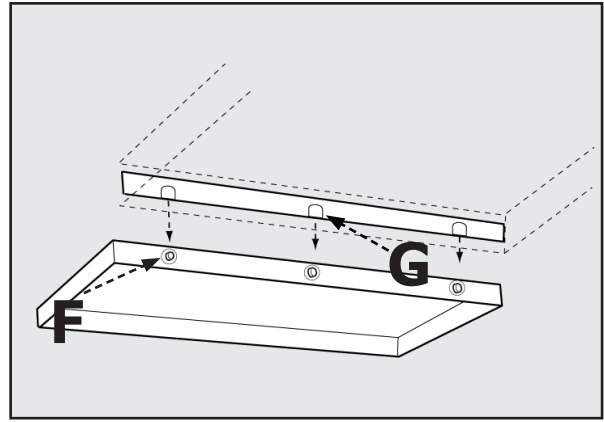


FIGURE 11

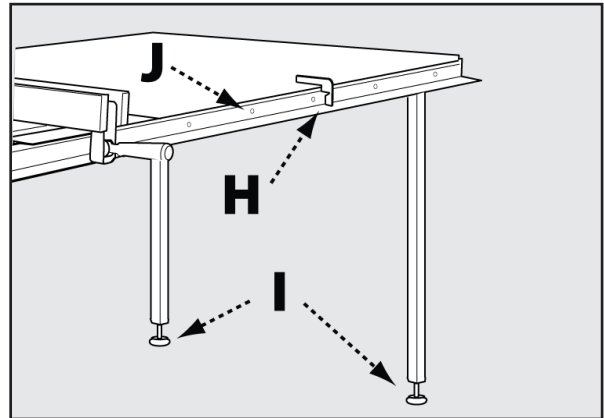


FIGURE 12

FENCE GUIDE AND POWER CONTROL BOX

1. Attach the fence guide to the front rail using four (for 30" versions) six (for 52" versions) 1/4-20 x 1/2inch hex button head screws and 1/4-inch spring washers through the holes (B) on the bottom side of the front rail.
2. A align the two holes in the power control box bracket with the holes underneath the front rail, shown in Figure 14 (C), located on the left side of the saw. Secure the power control box to the front rail using two 1/4-20 x 1/2-inch hex head cap screws with spring washers .

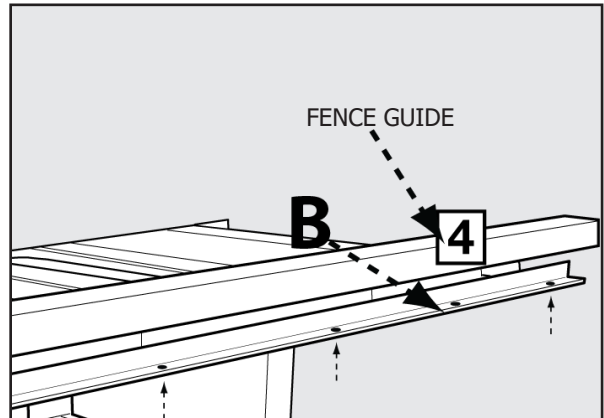


FIGURE 13

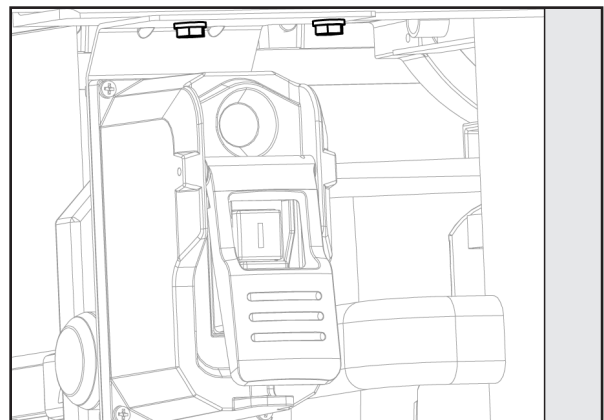


FIGURE 14

ASSEMBLY

THROAT PLATE

1. To install throat plate, lower blade below tabletop, then carefully feed the throat plate, with plate end first, from the front of the table to the rear, keeping the blade centered within the slot on the throat plate. See Figure 15A. The plate should rest within the cavity in the tabletop on top of 5 flat head screws.
2. Ensure that the throat plate is flush with the top of the table.
3. If the throat is not flush with the tabletop, adjust the height of the throat plate using the five set screws below the throat plate.
4. To remove throat plate, lower blade below tabletop, then carefully slide the throat plate from out from the rear of the table to the front, keeping the blade centered within the slot on the throat plate. Figure 15B.

NOTE: Do not attempt to secure the throat plate to the table using the throat plate leveling screws.

NOTE: No portion of table insert shall be above or more than 0,7 mm below the plane of the table top surface at the infeed side and no portion of the table insert is below or more than 0,7 mm above the plane of the table top at the out-feed side.

NOTE: When installing riving knife, anti-kickback pawls and blade guard, blade must be at 90° setting and raised to the maximum height. See Raising and Lowering Blade, page 18.

BLADE AND RIVING KNIFE

⚠ WARNING: To reduce the risk of serious personal injury, the riving knife must be installed and properly positioned for every possible through and non-through cut.

1. Your saw is shipped with the blade and riving knife installed and properly aligned. The riving knife comes installed in the low, non-through cutting position. Prior to operating your saw, check to make sure the alignment of the blade to the miter slot and the riving knife to the blade was not affected by shipping. To check alignment of the blade and riving knife, see page 28 in the Alignment section of this manual.
2. The riving knife comes installed in the low, non-through cutting position. To attach the anti-kickback pawls and blade guard assemblies, the riving knife must be in the raised position as shown in Figure 13. To raise and lower the riving knife, see Riving Knife Height Settings on page 20.

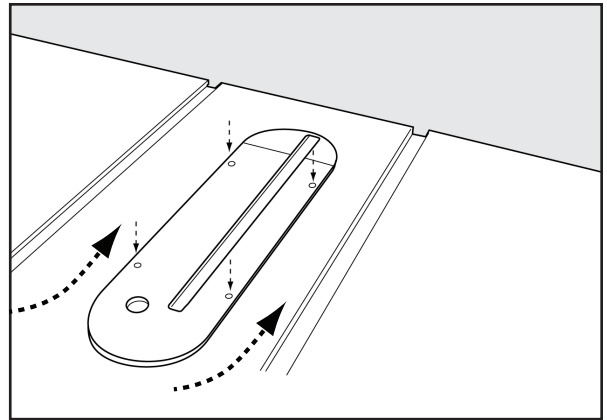


FIGURE 15A

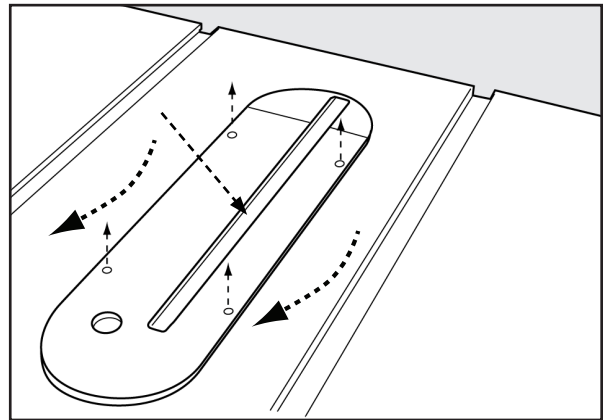


FIGURE 15B

SAW BLADE GUARD, ANTI-KICKBACK PAWLS AND RIVING KNIFE ASSEMBLY

Your table saw is equipped with a blade guard, antikickback pawls and riving knife assembly that covers the blade and reduces the possibility of accidental blade contact. The riving knife is a flat plate that fits into the cut made by the saw blade and effectively fights kickback by lessening the tendency of the blade to bind in the cut. Two anti-kickback pawls are located on the sides of the riving knife that allow the wood to pass through the blade in the cutting direction but reduce the possibility of the material being thrown backwards toward the operator. The blade guard and anti-kickback pawls can only be used when making through cuts that sever the wood. When making rabbets and other non-through cuts, the blade guard and anti-kickback pawls must be removed and riving knife lowered to the non-through cut

KICKBACKS

Kickbacks can cause serious injury. A kickback occurs when a part of the workpiece binds between the saw blade and the rip fence, or other fixed object, and rises from the table and is thrown toward the operator. Kickbacks can be avoided by attention to the following conditions.

HOW TO REDUCE THE RISK OF KICKBACKS AND PROTECT YOURSELF FROM POSSIBLE INJURY:

- Be certain that the rip fence is parallel to the sawblade.
- DO NOT rip by applying the feed force to the section of the workpiece that will become the cut-off (free) piece. Feed force when ripping should always be applied between the saw blade and the fence; use a push stick for narrow work, 6 inches (152 mm) wide or less.
- Keep saw blade guard, riving knife and antikickback assembly in place and operating properly. The riving knife must be in alignment with the saw blade and the anti-kickback assembly must stop a kickback once it has started. Check their action before ripping by pushing the wood under the antikickback assembly. The teeth must prevent the wood from being pulled toward the front of the saw. If any part of assembly is not operational, return to the nearest authorized service center for repair.

position marked on the riving knife.

Use all components of the guarding system (blade guard assembly, riving knife and anti-kickback pawls) for every operation for which they can be used including all through-cutting. If you elect not to use any of these components for a particular application, exercise additional caution regarding control of the workpiece, the use of push sticks, the position of your hands relative to the blade, the use of safety glasses, the means to avoid kickback and all other warnings contained in this manual and on the saw itself. Replace the guarding systems as soon as you return to through-cutting operations. Keep the guard assembly in working order.

- Plastic and composite materials (like hardboard) may be cut on your saw. However, since these are usually quite hard and slippery, the anti-kickback pawls may not stop a kickback. Therefore, be especially attentive to following proper set up and cutting procedures for ripping to avoid overheating the saw blade tips as well as melting the plastic.
- Use saw blade guard, anti-kickback pawls, and riving knife assembly for every possible operation, including all through-cut sawing.
- Push the workpiece past the saw blade prior to releasing control.
- NEVER rip a workpiece that is twisted or warped, or does not have a straight edge to guide along the fence.
- NEVER saw a large workpiece that cannot be controlled.
- NEVER use the fence as a guide or length stop when crosscutting.
- NEVER saw a workpiece with loose knots, flaws, nails or other foreign objects.
- NEVER rip a workpiece shorter than 10 inches (254 mm).
- NEVER use a dull blade. A dull blade should be replaced or re-sharpened.

ASSEMBLY

ANTI-KICKBACK PAWLS AND BLADE GUARD

ANTI-KICKBACK PAWLS

⚠ WARNING: To reduce the risk of serious personal injury, anti-kickback pawls must be in place when making a through cut.

1. Refer to Figure 16 and locate the anti-kickback pawls mounting slot (A) in the middle of the top edge of the riving knife.
2. Slide slot in the middle of the anti-kickback pawls assembly along the top of the riving knife until the stem (B) locates the center slot on the riving knife.
3. Depress the stem on the anti-kickback pawls assembly (B) to allow the assembly to drop into the slot. Push down on the anti-kickback pawls assembly until it snaps into place and locks. Release stem. **NOTE:** Pull up on the anti-kickback pawls to make sure it is locked in place.

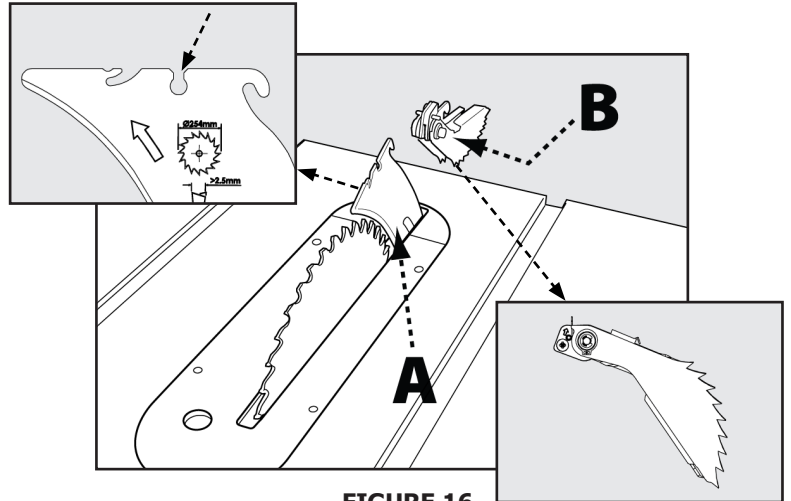


FIGURE 16

To remove the anti-kickback pawls, depress the stem (B) and pull the anti-kickback assembly off the riving knife.

BLADE GUARD

⚠ WARNING: To reduce the risk of serious personal injury, the blade guard must be in place when making a through cut.

1. While holding the blade guard assembly (A) in a vertical position, hook the locating pin (B) at the back end of the blade guard assembly into the slot at the back edge of the riving knife.
2. Rotate the blade guard assembly toward the front of the saw until the metal portion (C) of the blade guard assembly is parallel to the table as shown in Figure 17.
3. While holding down on the front of the metal portion of the guard (C) press the blade guard lock lever (D) down until it snaps into the locked position. Check to make sure the guard is locked onto the riving knife by pulling on the guard. If the guard is not locked, the blade guard lock lever will flip up to the unlocked position.

Note: Check the blade guard for clearances and free movement.

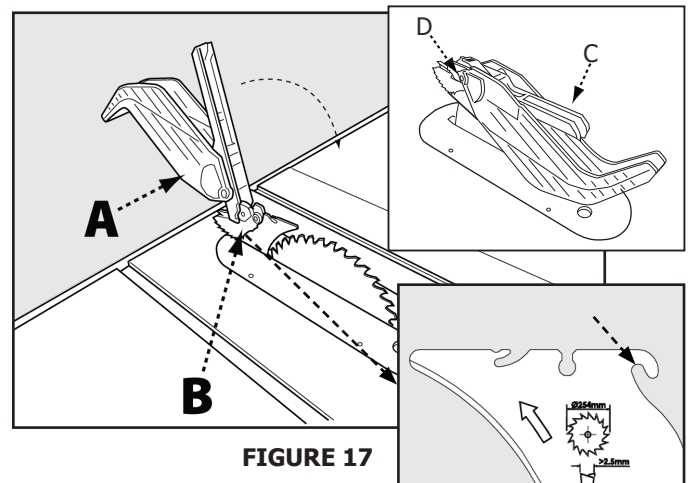


FIGURE 17

⚠ WARNING: If the metal portion of the blade guard assembly (C) is not parallel to the table, the riving knife is not in the raised position. Remove blade guard assembly and anti-kickback pawls and raise riving knife, then reinstall the anti-kickback pawls and the blade guard assembly.

To remove the blade guard assembly:

1. Lift the blade guard assembly lock lever (D) to the unlocked position.
2. Rotate the guard back and slide the pin (B) from the riving knife slot.

RIP FENCE

Attach the handle to the fence cam.

The rip fence slides onto the rear fence rail so that the hook is under the rear rail and rides on the front guide tube. The fence locks in place by applying pressure in a downward motion on the rip fence handle. Rip fence alignment should be checked prior to using your saw. To check alignment of the rip fence, see alignment instructions on page 29.

MITER GAUGE

Insert miter gauge into each miter slot to make sure it slides freely. See Adjusting the Miter Stops section on page 28 for adjustment of miter gauge accuracy.

ON-BOARD STORAGE

The Delta #36-5000 T2 series contractor table saw comes with on-board storage for the provided miter gauge, riving knife, arbor wrench, push stick and fence. There is also on-board storage for spare saw blades (sold separately). The miter gauge, spare blade and arbor wrench storage areas are located on the right side panel of the machine and come pre-installed.

On-board storage for the fence and the push stick is located on the left side of the saw.

ASSEMBLY

ADJUSTING 90° AND 45° POSITIVE BEVEL STOPS

There are positive stops at each end of the bevel range. To ensure accurate cuts, the positive stops must be positioned at exactly at 90° and 45°. The bevel stops are properly adjusted as shipped. However, for maximum accuracy, you should check the position of the stops upon assembly and from time to time to assure that the settings remain satisfactory. To check the position of the stops and adjust if necessary, refer to Figure 18 and do the following.

1. Release the blade tilt lock knob located on the right side of the saw by rotating counter clockwise.
2. Rotate the blade tilt handwheel counter clockwise and tilt the blade to the 0° position until the stop is reached.
3. Using a carpenter's square, check the angle of the blade face to the table, as shown in Figure 24b, page 20. If the blade is at 90° to the table, proceed to Step 6.
4. If the blade is not perpendicular to the table, turn handwheel to slightly tilt the blade away from the stop position then adjust the 90° stop by rotating the socket set screw located in the table top immediately in front of the left side of throat plate (A). Re-check angle using the carpenter's square and continue to adjust until the blade is at 90 degrees when returned to the stop position.
5. Rotate the blade tilt wheel counterclockwise until it rests on the 45° stop. Then repeat Steps 4 and 5, adjusting the 45° stop by rotating the socket set screw located in front of the right side of the throat plate. (B)

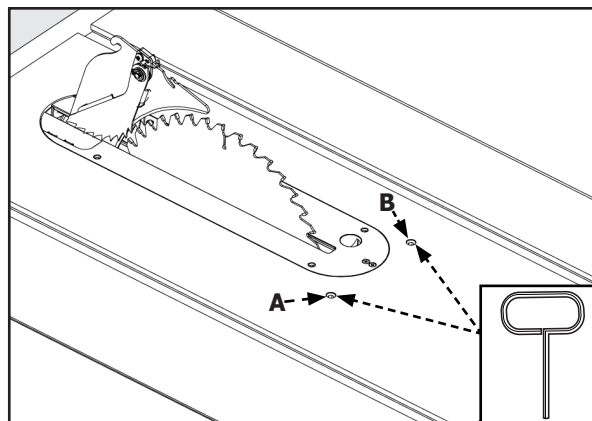


FIGURE 18

SECURING SAW TO FLOOR

▲ WARNING: This saw is designed for portability. Do not attempt to use the saw to cut a large or cumbersome workpiece without first taking appropriate steps to protect against tipping the saw. Examples of appropriate steps include the use of support tables and/or securing the saw legs to the floor by replacing the saw feet with connecting bolts or by attaching the legs to a floor mounted bracket with u-straps.

PREPARING TO CUT

▲ WARNING: Failure to comply with the following warnings may result in serious personal injury.

- **ALWAYS** make sure your workpiece is not in contact with the blade before operating the switch to start the saw. Blade contact could result in kickback or thrown workpiece.
- To reduce the risk of accidental starting, **ALWAYS** make sure the switch is in the off position before plugging saw into power source.

- **DO NOT** use blades rated less than the speed of this tool. Failure to heed this warning could result in serious personal injury.
- Turn unit off and disconnect it from power source before installing and removing accessories, before adjusting and when making repairs. An accidental start-up can cause injury.
- Prior to operating the saw, make sure you are familiar with its features and controls, and have made all necessary adjustments as described below.

PREPARING TO CUT

RAISING AND LOWERING THE BLADE

For most applications, it is recommended that you raise the blade 1/8-inch (3.2mm) to 1/4-inch (6.4mm) above the top surface of the workpiece.

Raise or lower the blade with the hand wheel (A) located on the front of the saw maximum 45° (fig 19).

1. Before raising or lowering the blade, be sure to loosen the lock knob (B) by turning it counterclockwise.
2. To raise the saw blade, turn the hand wheel clockwise. To lower the saw blade, turn the hand wheel counterclockwise.
3. Tighten lock knob to keep blade at the desired height. Only a small amount of force is required to lock the blade raising mechanism securely. Any added force merely puts unnecessary strain on the locking device.
4. When done operating the saw, and when performing maintenance, adjustments or repairs, lower blade below surface of table.

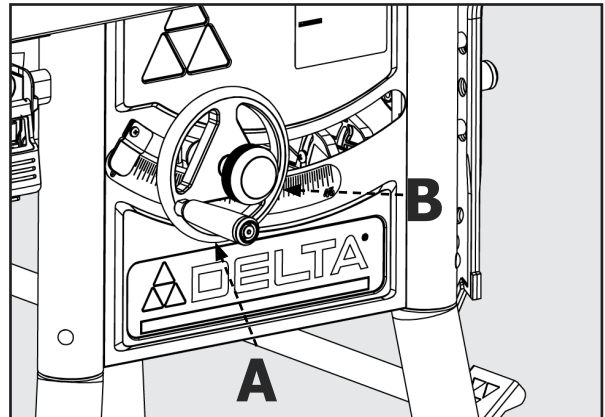


FIGURE 19

TILTING THE BLADE

The blade can be tilted up to 45° to the left using the blade tilt wheel (A) located on the right side panel of the saw. The angle of tilt is measured by the bevel gauge on the front of the saw. To tilt the saw blade:

1. Loosen the lock knob (B) counterclockwise and turn the hand wheel clockwise. A pointer on the front of the saw indicates the angle of tilt in 1/2-degree increments.
2. To lock the saw blade at your desired angle, tighten the lock knob by rotating it clockwise.

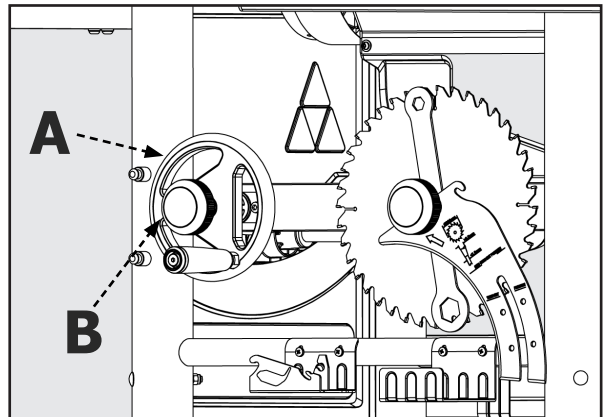


FIGURE 20

PREPARING TO CUT

SELECTING AND STORING SAW BLADES

Riving knives must be matched to saw blade dimensions in order to function effectively.

The saw blade furnished with your new saw is a 10-inch (254 mm) combination blade, used for cross cutting (across the grain) and ripping (with the grain) through the workpiece. The arbor hole of the blade is 5/8-inch (16 mm) diameter. This blade will produce a good quality cut for most applications.

There are many types of blades available to do specific and special jobs such as cross cut only, rip only, dado cuts thin plywood, paneling, etc.

This tool can only be used with woodworking saw blades.

Use only saw blades designed for maximum safe operating speeds of 3,600 RPM or greater.

Saw blades should always be kept sharp. It is recommended that you locate a reputable sharpening service to sharpen your blades when needed.

Never stack blades on top of one another to store. Place material such as cardboard between them to keep the blades from coming in contact with one another, or place them in storage drawer.

Abrasive wheels or blades (including diamond) should not be used on this saw.

CHANGING THE SAW BLADE

▲ WARNING:

- Use only 10-inch (254 mm) diameter blades with 5/8-inch (16mm) arbor holes, rated at 3,600 rpm or higher, 0.102-inch (2.6mm) minimum kerf width and 0.073-inch (1.8mm) maximum body thickness. Use only a saw blade diameter in accordance with the markings on the saw.
- To reduce the risk of injury, turn unit off and disconnect it from power source before installing and removing blades and accessories, before adjusting and when making repairs. An accidental start-up can cause injury.
 1. Remove the throat plate and raise the saw blade to its maximum height.
 2. Push and hold arbor lock button (A) shown in Figure 21.
 3. Use included arbor wrench to remove the blade by turning counter clockwise and retaining nut and flange (B). Remove old blade.
 4. Place the new blade on the arbor with the teeth pointing down as the blade rotates toward the front of the saw table.

5. Replace and tighten the blade retaining nut and flange.
6. Replace throat plate.

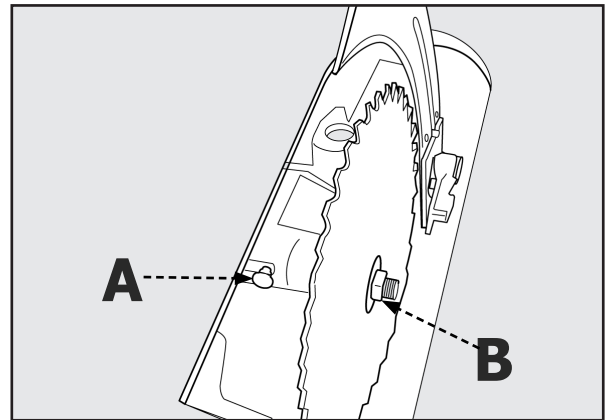


FIGURE 21

RIVING KNIFE POSITION

NOTE: Safety devices, blade guard assembly and anti-kickback assembly have been removed in Figure 22 in order to show the location of specific features. When operating the saw, these safety devices should be in place and working properly.

The riving knife is a flat plate that fits into the cut made by the saw blade and effectively fights kickback by lessening the tendency of the blade to bind in the cut. It must be installed and properly positioned for every through cut and for every non-through cut unless the riving knife would interfere with the workpiece.

The riving knife thickness (A) must be greater than the blade body or plate thickness (B) and less than the kerf or cutting width (C) as shown in Figure 22. The riving knife provided with this saw is 2.2mm thick and may be used only with a 10-inch (254mm) blade with 0.102-inch (2.6mm) minimum kerf width and 0.073-inch (1.8mm) maximum body thickness. Do not attempt to use this riving knife with blades that are not within these dimensions.

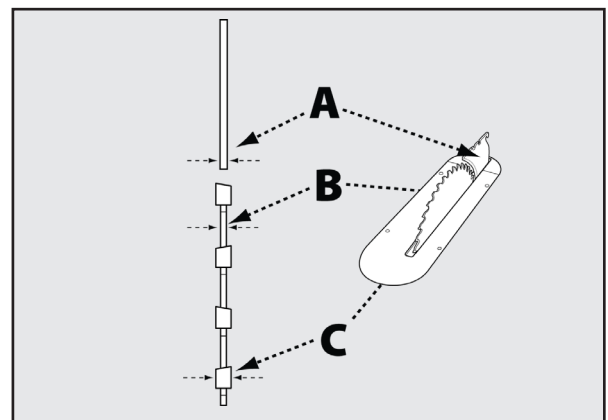


FIGURE 22

PREPARING TO CUT

RIVING KNIFE HEIGHT SETTINGS

The height of the riving knife should be adjusted based on the type of cut being made. For all through cuts (when the wood is completely severed), it should be in the raised position, with anti-kickback fingers and guard installed. For non-through cuts (when the blade does not penetrate the top of the workpiece), the riving knife should be in the lowered position and anti-kickback fingers and guard removed.

TO RAISE OR LOWER THE RIVING KNIFE:

1. Remove the throat plate and raise blade to the full height above the table.
2. Locate the Locking Cam Lever near the base of the riving knife.
3. Rotate the Cam Lever by turning clockwise to unlock and release the riving knife from its locked position.
4. Using your hand positioned near the top of the knife, lean the knife outward away from the two locking pins beside its middle slot. This now frees the knife to slide into the upward/ cut through position.
5. Lift the knife upward along the sliding slot until you feel the new locking pins position.
6. Release the knife and it should snap into its new position; wiggle if necessary.
7. Return the locking cam lever to the locked position. If you have done this properly the riving knife will be

aligned with the blade. If it is not retrace your steps until it does.

NOTE: When adjusting the riving knife up or down, be sure to pull in a radial motion, as shown.

⚠ WARNING: DO NOT operate saw unless riving knife is securely clamped in the raised position for through-cutting or the lowered position for non through-cutting.

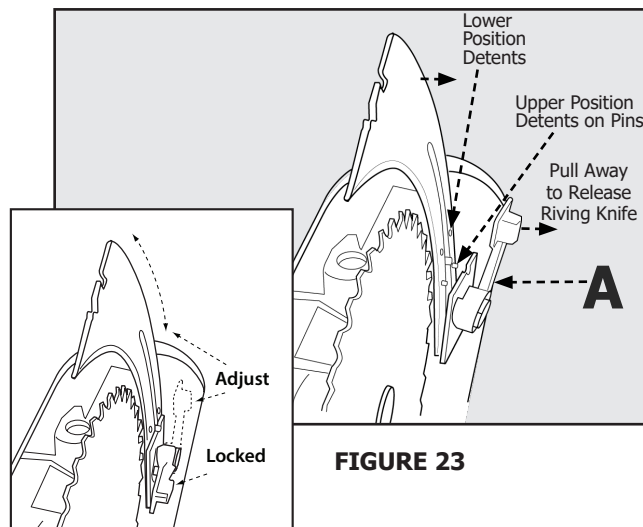


FIGURE 23

CHECKING RIVING KNIFE ALIGNMENT

⚠ WARNING: Before connecting the table saw to the power source and operating the saw, always inspect the blade guard assembly and riving knife for proper alignment and clearance with saw blade. Check the riving knife alignment after each blade change.

TO CHECK ALIGNMENT:

1. Horizontal Alignment: Lay a straight edge on the table against blade face (A) and make sure it extends out along the riving knife (B), as shown in Figure 24a. The riving knife should just touch the straight edge. Be sure the straight edge goes between the teeth and rests on the blade face and the riving knife for proper alignment.
1. Vertical Alignment: Place a carpenter's square on the table and against the blade face and make sure it extends up along the riving knife (B) as shown in figure 24b. The riving knife and blade should touch the carpenter's square with no gaps. Be sure the straight edge goes between the teeth and rests on the blade face and the riving knife for proper alignment. If the riving knife and blade are out of horizontal or vertical alignment, refer to riving knife alignment instructions on page 30 of this manual.

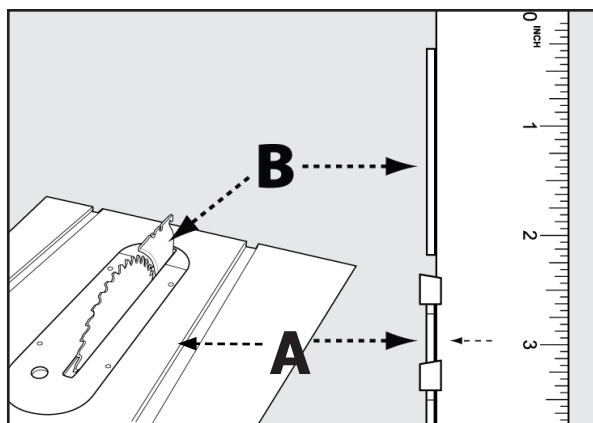


FIGURE 24a

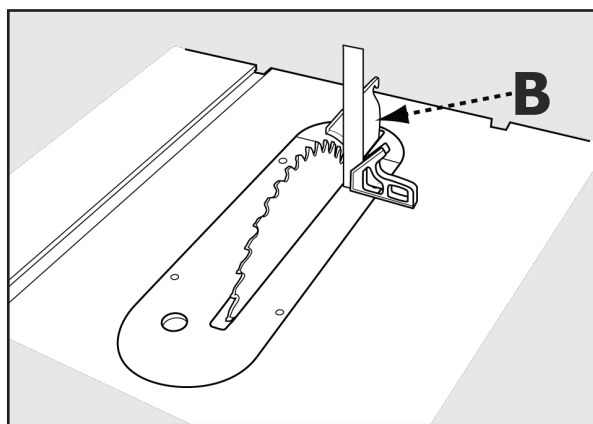


FIGURE 24b

PREPARING TO CUT/USING THE MITER GAUGE

The miter gauge is equipped with adjustable index stops at 90°, 75°, 60°, 45° and 30°. To set the miter for an angled cut, see Figure 25 and:

1. Loosen the handle (A).
2. Depress the thumb lever (B).
3. Move the body of the miter gauge to the desired angle maximum 30° on either side.
4. Release the thumb lever and retighten the handle.

The miter gauge is equipped with a washer on the end of the bar which fits into the t-slot in the table. This allows the miter gauge to be pulled off the front edge of the table without falling. This allows for an increased workpiece capacity in front of the blade.

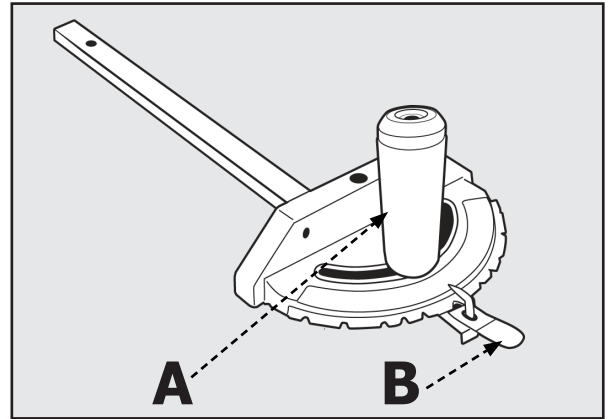


FIGURE 25

USING BLADE GUARD ASSEMBLY

⚠ WARNING: The anti-kickback pawls and blade guard must be used on all through-cuts. Keep both guard shields down and arms, hands and fingers away from the blade, blade guard and anti-kickback pawls when power is on to prevent serious injury. See assembly instructions on page 13 for proper installation and removal of anti-kickback pawls and blade guard.

If there is a need to briefly raise the blade guard (for example, to make a measurement) the guard can be parked in a raised position.

1. Refer to Figure 26 and, lifting the guard from the front, raise the guard shield until it snaps into a locked position above the table. One or both guard shields can be raised.
2. When done making the measurement, return guard to operating position.

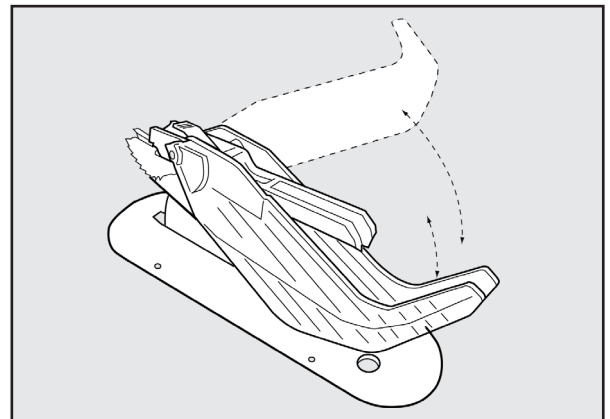


FIGURE 26

CHECKING FENCE ALIGNMENT

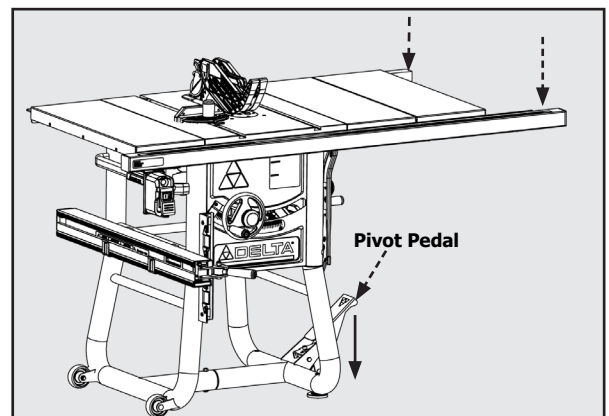
⚠ WARNING: Do not attempt to use a rip fence that is not properly aligned.

Every time you use the rip fence, check its alignment to make sure the fence is parallel to the miter slot. To check the alignment of your rip fence, place the fence adjacent to miter slot and lock the fence in place. If the fence is not aligned to the miter slot from the front to the back, see instructions for aligning rip fence on page 31 of this manual. If you are not able to successfully align the rip fence, replace the rip fence or contact 1-800-223-7278 for further instructions.

TO MOVE SAW

NOTE: Make sure the saw is off the blade is completely still, and the fence is placed in storage before attempting to move the saw.

To move saw step down on pivot pedal (8), place hands on each fence rail, and move saw to desired location. Lift the pivot pedal up after the saw is moved to desired location.



Example

OPERATION

▲ WARNING: Failure to comply with the following the warnings may result in serious personal injury.

READ ENTIRE MANUAL. In addition to reading these operating instructions, it is important to read and understand the entire manual before operating this saw. Follow all applicable instructions regarding assembly, preparation, and adjustment prior to making any cuts and comply with all safety rules and warnings in this section and elsewhere throughout this manual.

1. Each time you use the saw, run through the following checklist:
 - Are the power source and power connections adequate for the saw?
 - Are the saw and work area free of clutter and by-standers?
 - Is the blade tight and properly aligned?
 - Does the riving knife thickness match the blade?
 - Are the blade and riving knife properly aligned?
 - Is the operator qualified to make the cut and familiar with all of the relevant safety rules, warnings and instructions included in this manual?
 - Is the operator and everyone in proximity to the saw wearing appropriate eye, hearing and respiratory equipment?
 - Are the bevel angle and height adjustment knobs locked in the proper position?
 - Is the blade set at the proper height?
 - If ripping, is the rip fence parallel to the blade and securely locked in position?
 - If crosscutting, is the miter gauge knob tight?
 - If making through cuts with a standard blade, are the blade guard riving knife and anti-kickback pawls properly attached and properly functioning with both guards contacting the table surface?
 - Is there proper clearance and support for the workpiece as it leaves the blade?
 - Are any cutting aids needed? If so, are they in place, or within reach for proper use?
2. The use of attachments and accessories not recommended by Delta Power Equipment Corporation may result in injury.
3. Replace or sharpen the anti-kickback fingers when the points become dull.
4. Make sure saw is stable and cutting can be accomplished without tipping the saw. Do not attempt to cut large workpieces without securing saw to a stable surface. To properly secure the saw, see instructions in section entitled Securing Saw to the Floor on page 15 of this manual.
5. Never use the fence and miter gauge together without using a cutoff block as previously described.
6. The proper throat plate must be in place at all times.
7. If your saw makes an unfamiliar noise or if it vibrates excessively, cease operating immediately until the source has been located and the problem corrected.
8. Never perform freehand cutting, plunge cutting, re-sawing or cove cutting.

AVOID KICKBACK

A kickback can occur when the workpiece pinches the blade, or binds between the saw blade and the rip fence or other fixed object. This can cause the workpiece to rise from the table and/or be thrown back toward the operator. See instructions for reducing the risk of kickback on page 7 of this manual.

IF KICKBACK OCCURS, turn the saw "OFF" and verify proper alignment of the blade, riving knife and miter gauge or rip fence, and the proper functioning of the riving knife, anti-kickback assembly and blade guard assembly before resuming work.

STARTING AND STOPPING THE SAW

The POWER switch (Figure 27) is located underneath the front left extension wing.

1. To turn the saw "ON", pull the red paddle switch (A) up and toward you.
2. To turn the saw "OFF", push the red paddle switch in.

When not in use, the saw should be turned off and the power switch locked out to prevent unauthorized use. To lock out power switch, use a standard long shackle lock, with a shackle that is at least 2 3/4 - inches (70mm) long and with shackle posts no larger than 9/32-inch (7mm) thick.

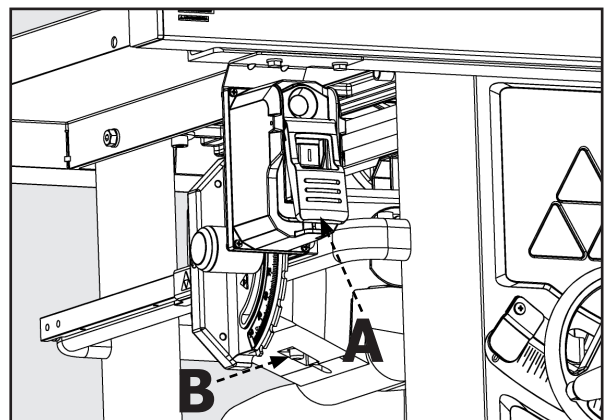


FIGURE 27

OPERATION

OVERLOAD PROTECTION

Your saw is supplied with overload protection. If the motor shuts off or fails to start due to overloading (cutting stock too fast, using a dull blade, using the saw beyond its capacity, etc.) or low voltage, let the motor cool three to five minutes. Then depress the red reset button (B), reset button (B), on the motor under the saw, shown in Figure 27, and restart the saw.

NOTICE: If the motor continually shuts off due to overloading, contact a qualified electrician.

MAKING CUTS

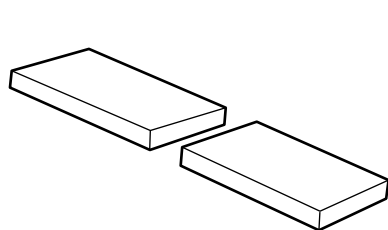
⚠ WARNING: Failure to comply with the following the warnings may result in serious personal injury.

- Never touch the free end of the workpiece or a free piece that is cut off, while the power is on and/or the saw blade is rotating. Blade contact or binding may occur, resulting in a thrown workpiece
- When sawing a long workpiece or a panel, use a work support, such as a sawhorse, rollers or outfeed table at the same height as the table surface of the saw.
- Never try to pull the workpiece back with the blade turning. If you need to pull the workpiece back or lift it off the table, turn the switch off, allow the blade to stop, raise the anti-kickback teeth on each side of the riving knife if necessary, and slide the workpiece out.

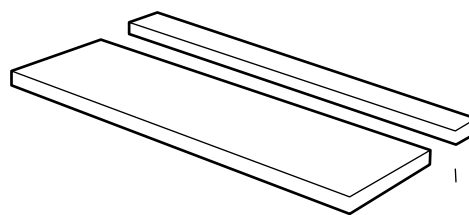
⚠ WARNING:

- Always make sure the blade guard (A) and anti-kickback pawls (B) are in place and working properly when making these cuts to avoid possible injury.
- Do not use blades rated less than the speed of this tool. Failure to heed this warning could result in personal injury.
- To avoid kickback, make sure one side of the workpiece is securely against the rip fence during any rip cut, and hold the workpiece firmly against the miter gauge during any miter cut.

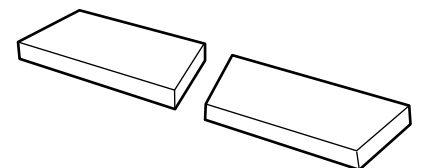
- Before connecting the table saw to the power source or operating the saw, always inspect the blade guard assembly and riving knife for proper alignment and clearance with saw blade. Check alignment after each change of beveling angle.
- A rip fence should **ALWAYS** be used for ripping operations to prevent loss of control and personal injury. Always lock the fence to the rail. **NEVER** perform a ripping operation freehand.
- When making bevel cuts, place the fence on the right side of the blade so that the blade is tilted away from the fence and hands. Keep hands clear of the blade and use a push stick to feed the workpiece unless the workpiece is large enough to allow you to hold it more than 6 inches (152 mm) from the blade.
- Before leaving the saw unattended, lock out power switch, or take other appropriate measures to prevent unauthorized use of the saw.
- Do not attempt compound miter cuts, with blade beveled and miter fence angled, until you are thoroughly familiar with the basic cuts and understand how to avoid kickback.
- Avoid bevel rip cuts with majority of material on left side of blade.



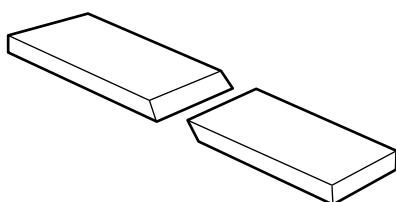
Cross Cut



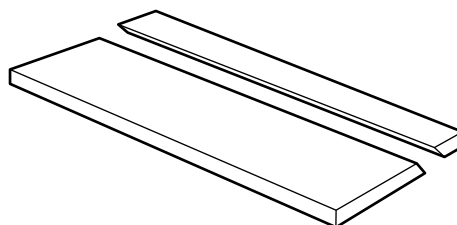
Rip Cut



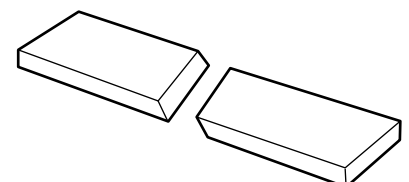
Mitered Crosscut



Beveled Cross Cut



Beveled Rip Cut



Compound Miter Cut

OPERATION

RIP CUTS

- Rip cutting: Rip cutting is performed predominantly in a parallel direction with the grain of the wood.
 - Make sure blade is parallel to miter gauge slot prior to cutting. Instructions for adjustment on page 27.
1. Remove miter gauge
 2. Make sure bevel angle is set to 0° .
 3. Set blade to correct height for workpiece.
 4. Install rip fence and lock it down parallel with and at desired distance from blade.
 5. Keep fingers at least 6 inches from the blade at all times. When the hand cannot be safely put between the blade and the rip fence, select a larger workpiece, or use a push stick and other cutting aids, as needed, to control the workpiece.
 6. Make sure the workpiece is clear of the blade (at least 1 inch or 25mm away) before starting the saw.
 7. Turn saw on.
 8. Hold the workpiece flat on the table and against the fence (A). The workpiece must have a straight edge against the fence and must not be warped, twisted or bowed. See proper hand position in Figure 28.
 9. Let blade build up to full speed before moving workpiece into the blade.
 10. Both hands can be used while starting the cut as long as hands remain 6 inches from the blade.
 11. Keep the workpiece against the table and fence and slowly feed the workpiece rearward all the way through the saw blade. Do not overload the motor by forcing the workpiece into the blade.
 12. Use the push stick and any other cutting aids, as needed, to hold the workpiece against the table and fence, and push the workpiece past the blade. A push stick is included with this saw, and instructions are

included to make additional push sticks and other cutting aids.

13. Do not push or hold onto the free or cut-off side of the workpiece.
14. Continue pushing the workpiece until it is clear of the blade. Do not overload the motor by forcing the workpiece into the blade.
15. When cut is complete, turn saw off. Wait for blade to come to a complete stop before removing workpiece from table.

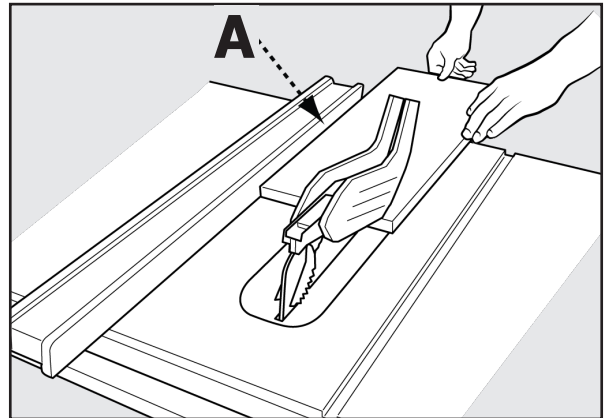


FIGURE 28

BEVEL RIPPING

Bevel ripping is the same as ripping except the bevel angle (A) is set to an angle other than 0° . When making a bevel rip cut, place the fence on the right side of the blade so that the blade is tilted away from the fence and hands.

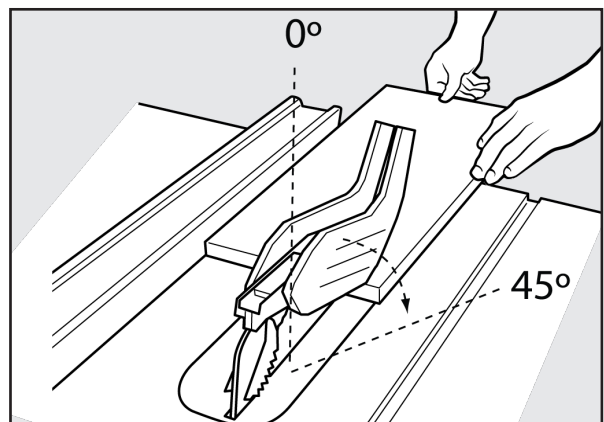


FIGURE 29

OPERATION

CROSSCUTTING

- Cross cutting: Cross cutting is performed predominantly in a perpendicular direction with the grain of the wood.
- Make sure blade is parallel to miter gauge slot prior to cutting. Instructions for adjustment on page 27.

⚠ WARNING:

- **NEVER** use the fence as a guide or length stop when crosscutting.
- The cut-off piece must never be confined in any through-sawing (cutting completely through the workpiece) operation to prevent pinching blade which may result in a thrown workpiece and possibly injury.
- When using a block as a cut-off gauge, the block must be at least 3/4-inch (19mm) thick. It is very important that the rear end of the block be secured in a position where the workpiece is clear of the block before it enters the blade to prevent binding of the workpiece.

You can use the miter gauge in either table slot on non-bevel cuts. To increase surface area of miter gauge face, add an auxiliary face (See Cutting Aids section on page 27 of this manual.)

To make a crosscut, refer to Figure 30 and follow this process:

1. Remove rip fence.
2. Make sure bevel angle is set to 0°.
3. Set blade to correct height for workpiece.
4. Place miter gauge in either miter slot.
5. Set miter gauge to 0° and tighten miter gauge lock knob.
6. Hands must remain at least 6 inches from blade throughout entire cut. If workpiece is too small to keep hands at least 6 inches away from the blade, select a larger workpiece, or attach an auxiliary face to the miter gauge and attach workpiece to auxiliary face. For instructions about making auxiliary faces, see Cutting Aids section on page 28 of this manual.

7. Make sure the workpiece is clear of the blade - at least 1 inch or 25mm away - before starting the saw.
8. Turn saw on.
9. Let blade build up to full speed before moving workpiece into the blade.
10. Hand closest to blade should be placed on miter gauge lock knob and hand farthest from blade should hold workpiece firmly against the miter gauge face. Do not push or hold onto the free or cut-off side of the workpiece.
11. Slowly feed the workpiece rearward all the way through the saw blade. Do not overload the motor by forcing the workpiece into the blade.
12. When cut is complete, turn saw off. Wait for blade to come to a complete stop before removing cut off piece from table.

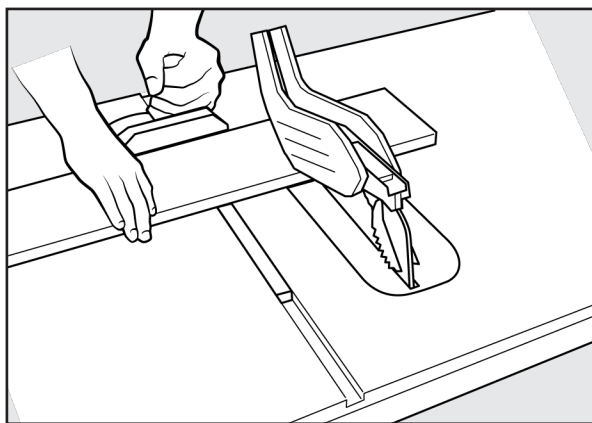


FIGURE 30

BEVEL CROSSCUTTING

Bevel crosscutting is the same as crosscutting except the bevel angle (A) is set to an angle other than 90°. When making a bevel crosscut, place the miter gauge in the right miter slot so that the blade is tilted away from the gauge and hands. See Figure 31.

MITER CUTS

Miter cuts are cross cuts with the miter gauge set at an angle other than 90°. For instructions about setting miter gauge angles, see Preparing to Cut. To adjust the preset index miter stops, see Adjusting the Miter Stops on page 28 of this manual.

⚠ WARNING:

- Miter angles less than 45° may force the blade guard assembly into the saw blade causing damage to the blade guard assembly and personal injury. Before starting the motor, test the operation by feeding the workpiece into the blade guard assembly. If the blade guard assembly contacts the blade, place the workpiece under the blade guard assembly but not touching the blade - before starting the motor.

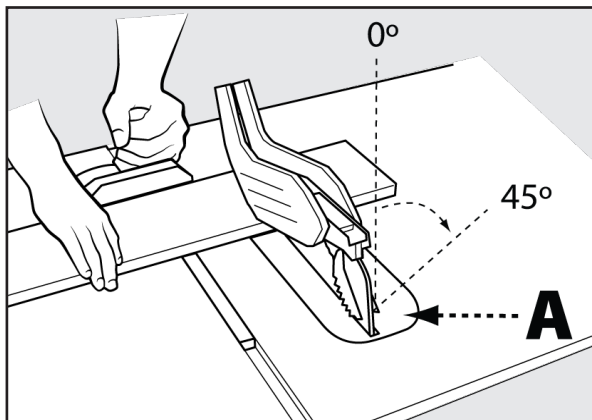


FIGURE 31

- Certain workpiece shapes, such as molding may not lift the blade guard assembly properly. With the power off, feed the workpiece slowly into the blade guard area and until the workpiece touches the blade. If the blade guard assembly contacts the blade, place the workpiece under the blade guard assembly - but not touching the blade - before starting the motor.

OPERATION

COMPOUND MITER CUTS

This is a combination of bevel crosscutting and mitering. Refer to Figure 32 and follow the instructions for both bevel crosscutting and mitering. Remember to use the right miter slot for all bevel cuts.

LARGE PANEL CUTS

Place workpiece supports at the same height as the saw table behind saw to support the cut workpiece, and alongside (s) of saw, as needed. Depending on shape of panel, use rip fence or miter gauge to control workpiece. If a workpiece is too large to use either a rip fence or a miter gauge, it is too large for this saw.

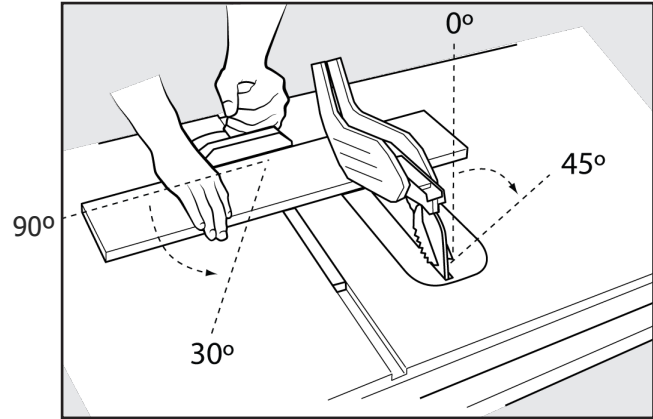


FIGURE 32

NON-THROUGH CUTS

The use of a non-through cut is essential to cutting grooves, rabbets and dados. Non-through cuts can be made using a standard blade having a diameter of 10 inches or less. Non-through cuts are the only type of cuts that should be made without the blade guard assembly installed. Make sure the blade guard assembly is reinstalled upon completion of this type of cut.

⚠ WARNING:

- When making non-through cuts, follow all applicable warnings and instructions listed below in addition to those listed above for the relevant through cut.
- When making a non-through cut, blade is covered by workpiece during most of cut. Be alert to exposed blade at start and finish of every cut.

- Never feed wood with hands when making any non-through cuts such as rabbets. Always use miter gauge, push blocks or push sticks, and featherboards where appropriate.
- Read the appropriate section which describes the type of cut in addition to this section on non-through or dado cuts. For example, if your non-through cut is a straight cross cut, read and understand the section on straight cross cuts before proceeding.
- Once all dado and non-through cuts are completed, unplug saw and reinstall riving knife or return it to raised position. Install anti-kickback pawls and blade guard.
- Carefully follow the instructions accompanying any specialized blades and molding cutters for proper installation, set up and operation.

MAKING A NON-THROUGH CUT

- Once all non-through cuts are completed, unplug saw and reinstall riving knife in raised position. Install anti-kickback pawls and blade guard.

1. Unplug saw.
2. Unlock release lever.
3. Adjust bevel angle to 0°.
4. Lock release lever.
5. Remove blade guard and anti-kickback pawls.
6. Place riving knife in "lowered" position. (see RIVING KNIFE HEIGHT SETTINGS Section on page 20)
7. Set blade to correct depth for workpiece.
8. Depending on shape and size of wood, use either rip fence or miter gauge.
9. Plug saw into power source and turn saw on.

10. Let blade build up to full speed before moving workpiece into blade.
11. Always use push blocks, push sticks, and/or featherboards when making non-through cuts to reduce the risk of serious injury.
12. When cut is made, turn saw off. Wait for blade to come to a complete stop before removing workpiece.
13. When cut is complete re-adjust riving knife to position as detailed on page 20.

OPERATION

HEELING (PARALLELING) BLADE TO MITER GAUGE GROOVE

- Blade (A) must be parallel to miter gauge groove so that wood does not bind, resulting in kickback. Failure to do so could result in serious personal injury.
- To reduce risk of injury from kickback, align rip fence to blade (A) following any blade adjustments.

DO NOT loosen any screws for this adjustment until alignment has been checked with a square to be sure adjustments are necessary. Once screws are loosened, items **must** be reset.

Note: Unplug saw. Remove blade guard and anti-kickback pawls. Raise the blade (A) by turning height adjusting wheel.

1. Mark beside one of blade teeth at front of blade (A). Place a combination square even with front of saw table and side of saw blade (A) as shown.
2. Turn blade (A) so that marked tooth is at back. Move combination square to the rear and again measure the distance. If the distances are the same, blade (A) is square.

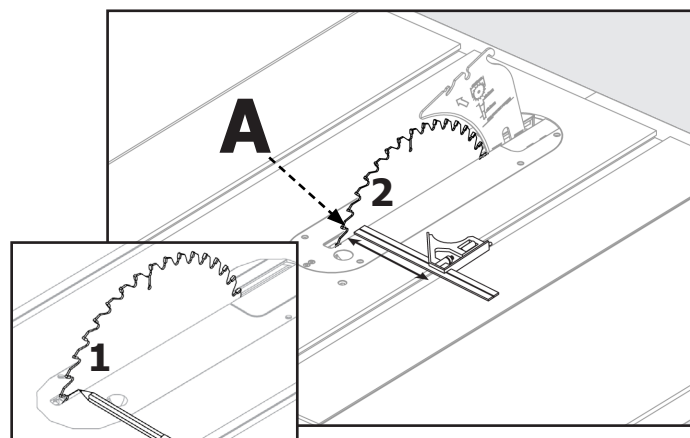


FIGURE 33A

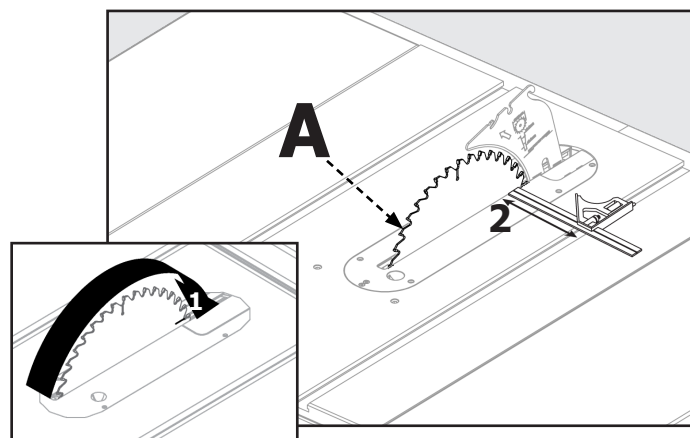


FIGURE 33B

CUTTING AIDS AND ACCESSORIES

PUSH STICK

In order to operate your table saw safely, you must use a push stick whenever the size or shape of the workpiece would otherwise cause your hands to be within 6-inches (152mm) of the saw blade or other cutter. A push stick is included with this saw.

No special wood is needed to make additional pushsticks as long as it is sturdy and long enough with no knots, checks or cracks. A length of approximately 15.7 inches (400mm) is recommended with a notch that fits against the edge of the workpiece to prevent slipping. It's a good idea to have several push sticks of the same minimum length, 15.7 inches (400mm), with different size notches for different workpiece thicknesses.

The shape can vary to suit your own needs as long as it performs its intended function of keeping your hands away from the blade. Angling the notch so the push stick can be held at a 20° to 30° angle from the saw's table will help you to hold down the workplace while also moving the saw.

To construct a push stick, refer to the layout shown in Figure 34.

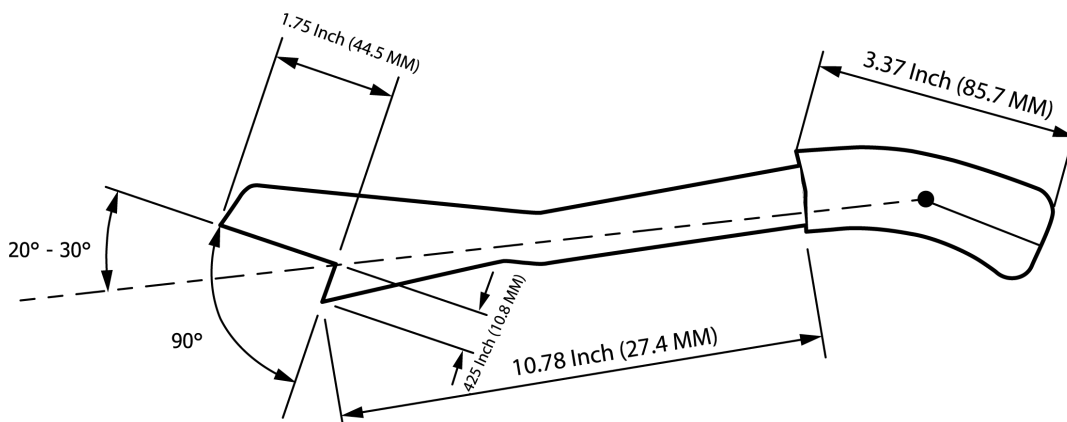


FIGURE 34

CUTTING AIDS AND ACCESSORIES

AUXILIARY RIP FENCE FACING

Use an auxiliary rip fence facing when needed for special cuts, such as ripping material that is thin enough to slide under the rip fence provided with your saw, or when a taller rip fence is necessary to complete your cut. To add an auxiliary wood facing to one or both sides of the rip fence, select a piece of wood with smooth surfaces. Attach the wood to the rip fence with two clamps. (see Figure 35) For most work, 3/4-inch (19mm) or 1-inch (25mm) stock is suitable.

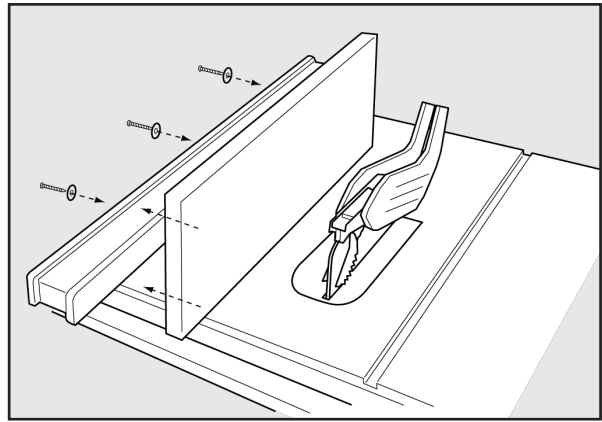


FIGURE 35

AUXILIARY MITER GAUGE FACING

An auxiliary miter gauge facing is used to increase the surface area of the miter gauge face.

The use of miter gauge with auxiliary facing is the same as original miter gauge (without auxiliary facing). See Page 21 for the use of miter gauge.

If desired, you can fit the miter gauge with an auxiliary wood facing that should be at least 1-inch (25mm) higher than the maximum depth of cut, and at least as wide as the miter gauge.

This auxiliary wood facing can be fastened to the front of the miter gauge by using two wood screws through the holes (A) provided in the miter gauge body and into the wood facing. See Figure 36. Make sure the screws are long enough to secure the facing, but do not extend all the way through the wood.

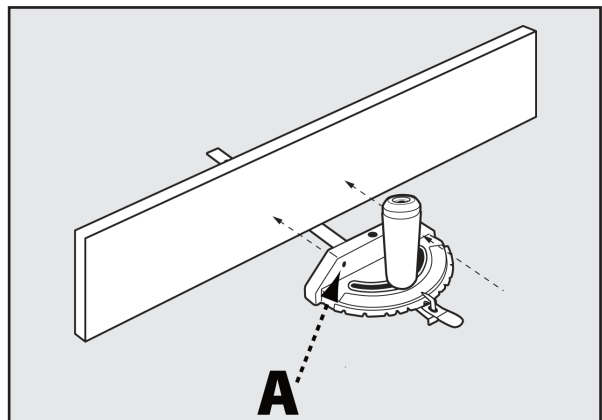


FIGURE 36

PUSH BLOCK

Push blocks are blocks used to securely hold down the workpiece against the table. They include some gripping surface or handle to hold the block. Any screws running through the underside of the block to fasten the handle should be recessed in order to avoid contact with the workpiece.

1. Select a piece of wood about 4-inches wide, 6-inches long and 1- to 2-inches thick (a cutoff from a 2 by 4 makes a good blank for a push block).
2. Drill a hole in the block and glue in a dowel to use as a handle (you can angle the hole to provide a more comfortable grip on the handle).
3. Glue a piece of rough or soft material such as sandpaper or rubber to the bottom of the block to grip the workpiece (old mouse pads work well). See Figure 37.

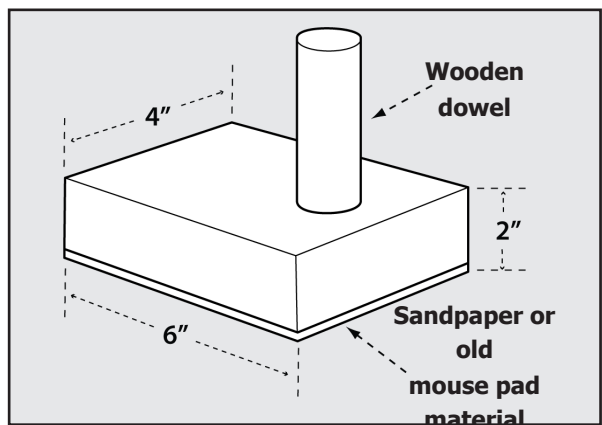


FIGURE 37

Grooving and rabbeting

Clamping a featherboard in front of the blade can increase safety during non-through cuts, like grooving and rabbeting, and through cuts. Use a featherboard to guide the workpiece against the table and fence when making non-through cuts such as rabbeting. A featherboard helps to control the kickback.

CUTTING AIDS AND ACCESSORIES

FEATHERBOARD

Featherboards are used to keep the work in contact with the fence and table (Figure 38), and help prevent kickback. Featherboards are especially useful when ripping small workpieces and for completing non-through cuts. The end is angled with a series of narrow slots to give a friction hold on the workpiece, It is locked in place on the table or fence with a c-clamp.

⚠ WARNING: To avoid binding between the workpiece and the blade, make sure a horizontal feather board presses only on the uncut portion of the workpiece in front of the blade.

Dimensions for making a typical featherboard are shown in Figure 38. Make your featherboard from a straight piece of wood that is free of knots and cracks. Clamp featherboards to the fence and/or table so that the featherboard will hold the workpiece against the fence or table.

1. Select a solid piece of lumber approximately 3/4-inch thick, 2 1/2-inches wide and 12-inches long.
2. Mark the center width on one end of stock. Miter width to 70° (see miter cut section for information on miter cuts).
3. Set rip fence to allow approximately a 1/4-inch "finger" to be cut in the stock.
4. Feed stock only to mark previously made at 6 inches.
5. Turn saw off and allow blade to completely stop rotating before removing stock.
6. Reset rip fence and cut spaced rips into workpiece to allow approximately 1/4-inch fingers and 1/8-inch spaces between fingers.

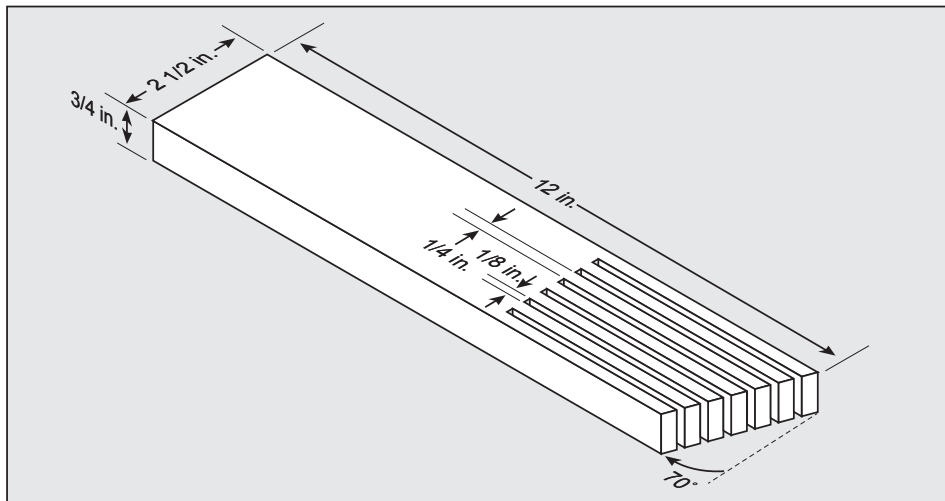


FIGURE 38

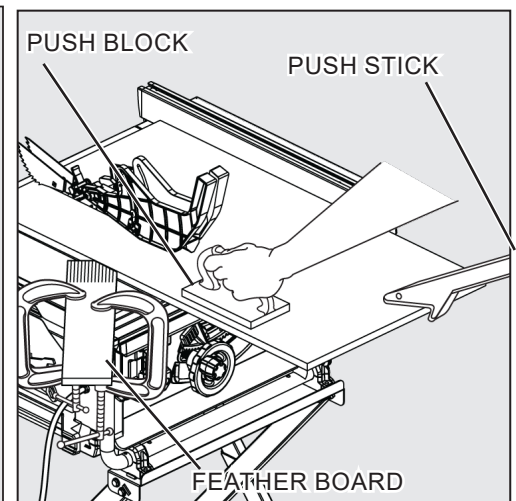


FIGURE 38A

CUT OFF GAUGE

When crosscutting a number of pieces to the same length, you can clamp a block of wood (A) (See Figure 39) to the fence and use it as a cut-off gauge. The block (A) must be at least 3/4-inch (19 mm) thick to prevent the cut off piece from binding between the blade and the fence. Once the cut-off length is determined, lock the fence and use the miter gauge to feed the workpiece into the blade.

⚠ WARNING: Always position the cut-off gauge in front of the saw blade.

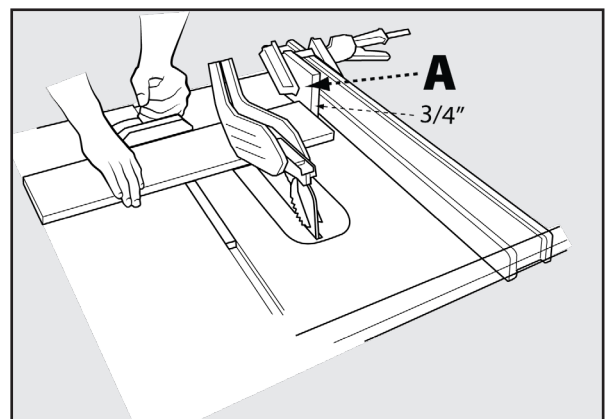


FIGURE 39

JIGS

Jigs may be created with a variety of special set-ups to control particular workpiece shapes for particular cuts. Guidance on how to make specialized jigs can be found in woodworking and carpentry websites and publications.

⚠ WARNING: Do not attempt to create or use a jig unless you are thoroughly familiar with table saw safety. Do not use any jig that could result in pinching a kerf or jamming the workpiece between the jig and the blade. Incorrect setups may cause kickback which could result in serious injury.

ALIGNMENT

RIVING KNIFE ALIGNMENT WITH THE BLADE

This procedure requires a 4mm T-handle hex wrench and straight edge ruler. (Fig .40b)

WARNING: Completely disconnect saw from power source before making any adjustments.

1. Carefully remove throat plate,
2. Loosen the two hex-head screws (A) shown in Figure 36.
3. Using a straight edge ruler, align riving knife with blade body shown in Figure 40a.
4. Tighten the two hex-head screws (A) shown in Figure 36.
5. To adjust parallel alignment use the two set screws (B) shown in Figure 40. Clockwise: adjust riving knife to the right. Counter-clockwise: adjust riving knife to the left. If needed, use the set screws (D) to align the riving knife with blade face and the square.
6. Fully tighten the two socket head cap screws.
7. Replace throat plate, blade guard and anti-kickback assemblies before use.

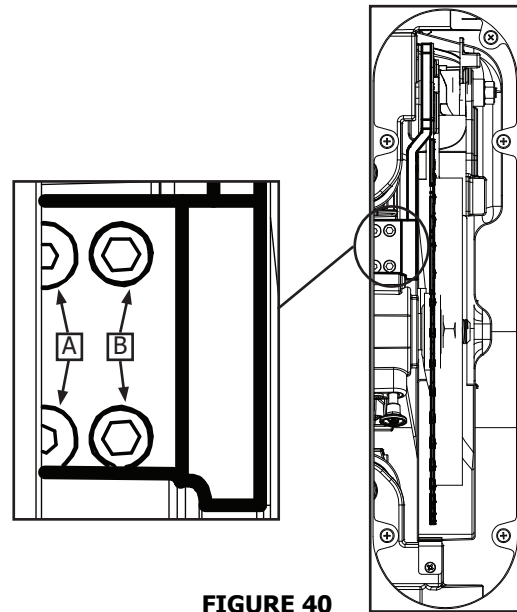


FIGURE 40

⚠ WARNING: If any dragging or binding of the workpiece is encountered as it reaches the riving knife, turn unit off and disconnect machine from power source and readjust the riving knife/blade alignment or replace the blade. Never attempt to back partially-cut workpiece out of blade while blade is moving.

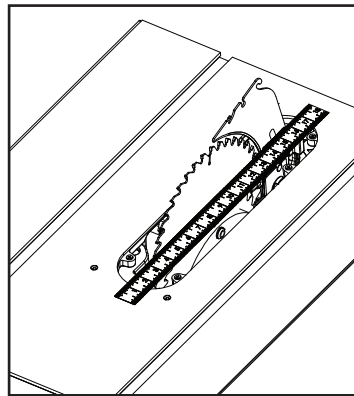


FIGURE 40a

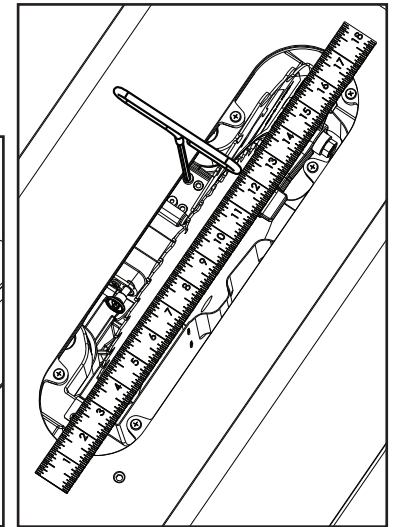


FIGURE 40b

ADJUSTING THE MITER STOPS

To adjust the index stops for angles other than 90°, 75°, 60°, 45° and 30°:

1. Loosen the miter gauge handle.
2. Loosen the 2 screws for the miter stop segment for the desired new angle. (A) is shown in Figure 41.
3. Move the stop to proper position.
4. Re-tighten the 2 segment screws and handle.

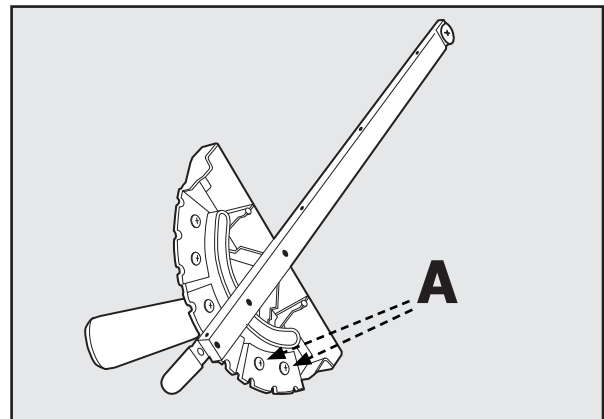


FIGURE 41

ALIGNMENT

ALIGNING FENCE PARALLEL TO MITER SLOT

1. Move fence adjacent to right miter gauge and secure to the guide tube by lowering the fence clamping lever.
2. If the fence face (A) figure 42, is not parallel to the miter slot (B), raise the clamping lever and lift the fence and place it on the saw table.
3. Adjust the one or both of the set screws (C) 1/4 turn or less.
4. Replace fence on guide tube and repeat steps 1 through 3. If fence is closer to parallel, turn the set screw in the same direction but a little less. If the fence is further out of parallel, turn the set screw in the opposite direction.
5. Repeat steps 1 through 3.

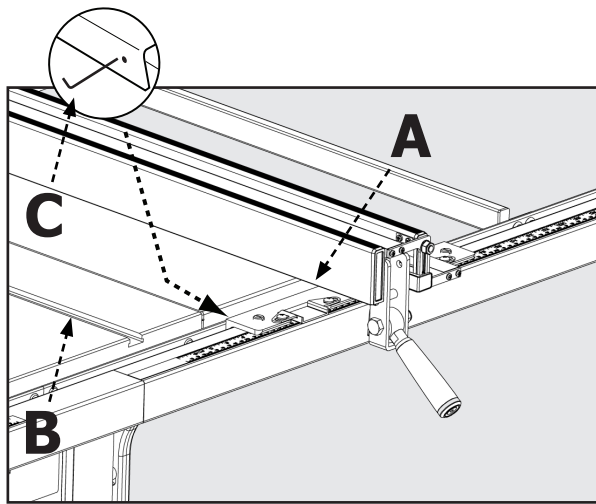


FIGURE 42

ALIGNING FENCE PERPENDICULAR TO THE TABLE

1. Move fence over the cast iron table and secure to the guide tube by lowering the fence clamping lever.
2. Use a square to check that the fence face is perpendicular to the table.
3. If the fence face is not perpendicular to the table, release the clamping lever and slightly adjust one of the slotted set screws (A) figure 43 until the fence face is perpendicular to the table.
4. Secure the fence to the guide tube to insure the fence remains perpendicular. If not, repeat steps 1 through 4.

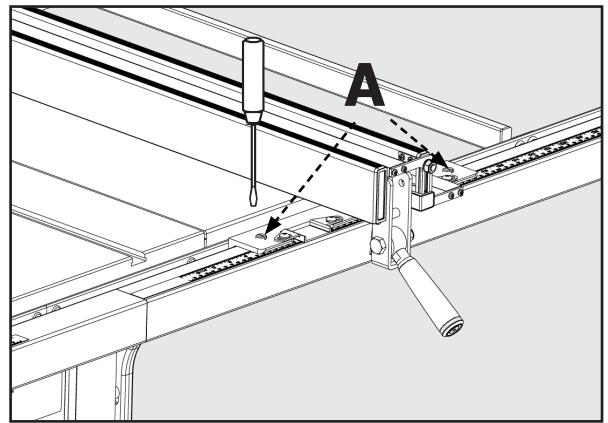


FIGURE 43

Auxiliary Fence

For thin materials use the fence on the left of the blade. Fold down the thin fence to allow use of blade guard. Subtract 2 inches from the scale for accurate measurement.

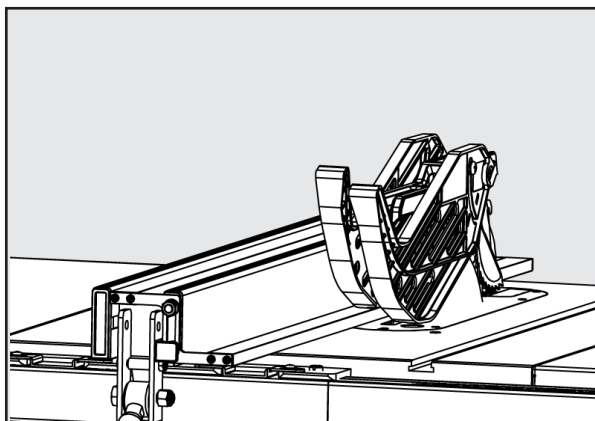


FIGURE 44

Dust Collection

1. Connect a shop vacuum or dust collection hose to dust port on back of saw for best dust collection.

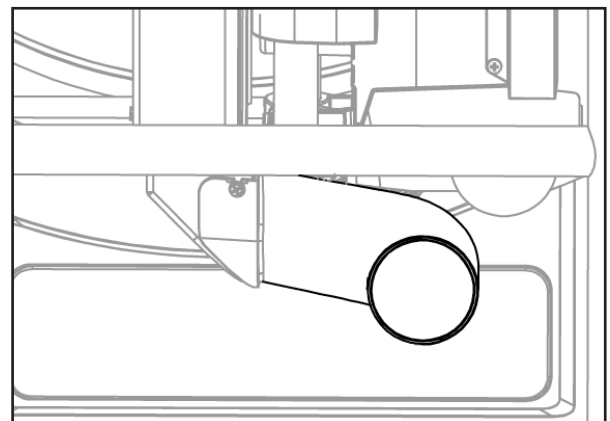


FIGURE 45

MAINTENANCE

To reduce the risk of injury, turn unit off and disconnect it from power source before cleaning or servicing, before installing and removing accessories, before adjusting and when making repairs. An accidental start-up can cause injury.

KEEP MACHINE CLEAN

Periodically blow out all air passages with dry compressed air. All plastic parts should be cleaned with a soft damp cloth. **NEVER** use solvents to clean plastic parts. They could possibly dissolve or otherwise damage the material.

Wear certified safety equipment for eye, hearing and respiratory protection while using compressed air.

For best performance use a shop vacuum or blower to keep saw blade area, the dust collection system, the guarding system and rails free of saw dust and other debris.

LUBRICATION & RUST PROTECTION

Apply hardwood flooring paste wax to the machine table occasionally or use a commercially available protective product designed for this purpose. Follow the manufacturer's instructions for use and safety.

To clean cast iron tables of rust, you will need the following materials: a medium sized scouring pad, a can of spray lubricant and a can of degreaser. Apply the spray lubricant and polish the table surface with the scouring pad. Degrease the table, then apply the protective product as described above.

MAINTENANCE REMINDERS

Wear certified safety equipment for eye, hearing and respiratory protection while using compressed air.

Specific areas which require regular maintenance include:

RIVING KNIFE CLAMP PLATE: Keep this area free of dust and debris buildup. Blow out area regularly with compressed air.

NOTE: If the riving knife clamp can't move freely, have the saw serviced by authorized DELTA® Power Equipment Corporation service center personnel.

WORM GEARS: Keep the worm gears free of dust and debris buildup. Blow out area regularly with compressed air. Use a lithium-based multipurpose grease as needed on these gears.

CLEAN SAWDUST BUILDUP OUT OF CABINET PERIODICALLY:
NOTE: Debris can also be removed from the saw from below the throat plate, inside the dust port.

ADJUSTING BELT TENSION

1. Lower the blade height to its lowest position.
2. Loosen the torx screw (A) that is used to mount the motor housing. This should be loosened enough to feel the motor weight providing tension to the belt.
3. Tighten the torx screw (A) to secure the motor in place.

NOTE: If table saw with belt tension adjusted function, only the technician can do the adjustment.

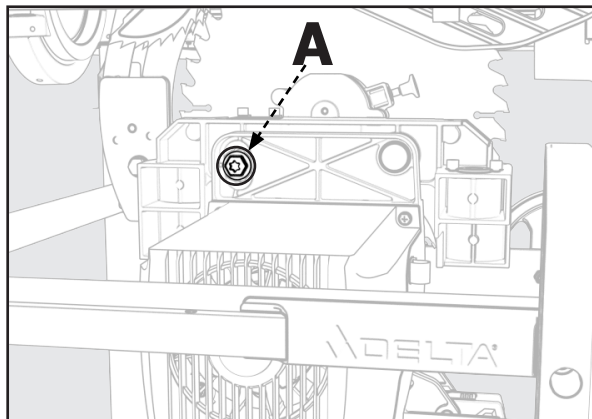


FIGURE 46

TROUBLESHOOTING

For assistance with your machine, visit our website at www.DeltaMachinery.com for a list of service centers or call Delta Power Equipment Customer Care at 1-800-223-7278.

FAILURE TO START

If your machine fails to start, check to make sure the prongs on the cord plug are making good contact in the receptacle, and check reset button on power switch housing. Also, check for blown fuses or open circuit breakers in your power line.

ACCESSORIES

For accessories please visit our Web Site for an on-line catalog or for the name of your nearest supplier.

▲ WARNING: Since accessories other than those offered by DELTA® have not been tested with this product, use of such accessories could be hazardous. For safest operation, only DELTA® recommended accessories should be used with this product

PARTS, SERVICE OR WARRANTY ASSISTANCE

All DELTA® Machines and accessories are manufactured to high quality standards and are serviced by a network of an Authorized Service Centers. To obtain additional information regarding your product or to obtain parts, service, warranty assistance, or the location of the nearest service center, please call 1-800-223-7278.

Five Year Limited Warranty

1. WHAT IS COVERED. Delta Power Equipment Corporation ("Company") will, at its option, repair or replace this product, if purchased at retail in the United States or Canada and the product, with normal use, has proven to be defective in workmanship or material, subject to the conditions stated in this Limited Warranty. This Limited Warranty covers only materials and labor. All transportation costs are Customer's responsibility.

2. WARRANTY PERIOD. All warranty claims must be submitted within five years from the date of retail purchase. For all service parts and factory refurbished products, the warranty period is 180 days.

3. HOW TO OBTAIN SERVICE. To obtain warranty service, you must return the defective product, at your expense, to a service center authorized by Company to perform warranty service (a "Company Authorized Service Center") within the applicable warranty period, together with acceptable proof of purchase, such as your original receipt bearing the date of purchase, or product registration number. Company reserves the right to restrict warranty claim service to the country where the purchase was made and/or to charge for the cost to export service parts or provide warranty service in a different country. For this purpose, on-line purchases are deemed made in the United States. For the location of your nearest Company Authorized Service Center, call Company's Customer Care Center at (800) 223-7278.

4. EXCLUSIONS.

- Company does not offer any warranty on products purchased in used or damaged condition.
- Company does not warrant any products purchased outside the United States or Canada.
- Company will not be responsible for any damage that has resulted from normal wear, misuse, abuse or any repair or alteration made by anyone other than a Company Authorized Service Center or a designated representative of Company's Customer Care Center.

ALL IMPLIED WARRANTIES are expressly limited to the warranty period identified above.

Company will not be liable for INCIDENTAL OR CONSEQUENTIAL damages.

This limited warranty is Company's sole warranty and sets forth the customer's exclusive remedy with respect to defective products; all other warranties, express or implied, whether of merchantability, fitness for purpose, or otherwise, are expressly disclaimed by Company, except as expressly stated in this warranty statement.

Some states do not allow the exclusion or limitation of incidental or consequential damages, or the limitation of implied warranties, so the above limitations or exclusions may not apply to you. This warranty gives you specific legal rights and you may have other rights which vary in certain states or provinces. For further details of warranty coverage and warranty repair information, call (800) 223-7278. To register your products on-line, we encourage you to visit our website and register for a FREE DELTA® Member Account at <http://www.deltamachinery.com/register>.

LATIN AMERICA: This warranty does not apply to products sold in Latin America. For products sold in Latin America, call the local company or see website for warranty information.

REPLACEMENT PARTS

Use only identical replacement parts. For a parts list or to order parts, visit our website at www.DeltaMachinery.com/service. You can also order parts from your nearest Authorized Warranty Service Center or by calling Technical Service Manager at 1-800-223-7278 to receive personalized support from one of our highly-trained representatives.

FREE WARNING LABEL REPLACEMENT

If your warning labels become illegible or are missing, call 1-800-223-7278 for a free replacement.

SERVICE AND REPAIRS

All quality tools will eventually require servicing and/or replacement of parts. For information about Delta Power Equipment Corporation, its factory-owned branches, or to locate an Authorized Warranty Service Center, visit our website at www.DeltaMachinery.com/service or call Customer Care at 1-800-223-7278. All repairs made by our service centers are fully guaranteed against defective material and workmanship. We cannot guarantee repairs made or attempted by others. By calling this number you can also find answers to most frequently asked questions 24 hours/day. You can also write to us for information at Delta Power Equipment Corporation, 2651 New Cut Road, Spartanburg, SC 29303 Attention: Technical Service Manager. Be sure to indicate all of the information shown on the nameplate of your saw (model number, type, serial number, date code, etc.).

**2651 New Cut Road
Spartanburg, SC 29303
(800) 223-7278**

www.DeltaMachinery.com

©Copyright 2021 Delta Power Equipment Corporation

DPEC005496

Rev:17

09/02/2021

